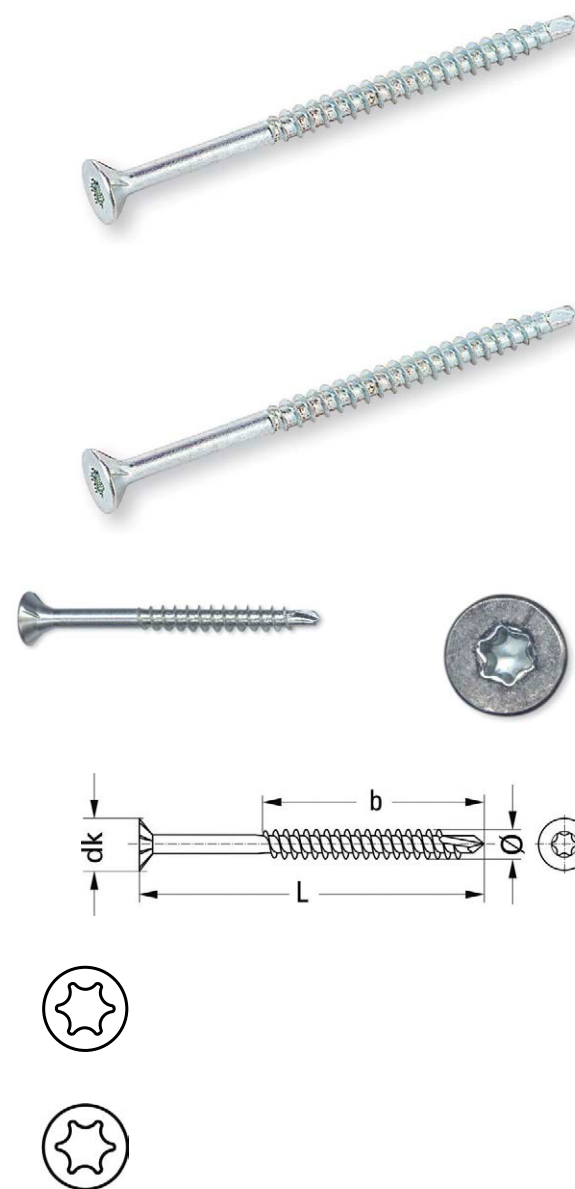


1

EasyTop Partial Thread with countersunk head and drillbit TX zinc plated

Characteristics

- TX galvanized



Thread	4	4.5	5
Ø head	8 mm	9 mm	10 mm
Drive	TX 15	TX 20	TX 25

EasyTop Partial Thread with countersunk head and drillbit TX zinc plated			
Dimensions	Drive	PU Piece	Article No.
4 x 30 mm	TX 15	1000	119430
4 x 35 mm	TX 15	500	119313
4 x 40 mm	TX 15	500	119429

EasyTop Partial Thread with countersunk head and drillbit TX zinc plated			
Dimensions	Drive	PU Piece	Article No.
4 x 45 mm	TX 15	500	119314
4 x 50 mm	TX 15	500	138565
4 x 60 mm	TX 15	400	119315

EasyTop Partial Thread with countersunk head and drillbit TX zinc plated			
Dimensions	Drive	PU Piece	Article No.
4 x 70 mm	TX 15	300	165139
4.5 x 35 mm	TX 20	500	144889
4.5 x 45 mm	TX 20	500	121357

INTERNAL/Approved (2019-03-22 11:35:36)

2

EasyTop Partial Thread with countersunk head and drillbit TX zinc plated			
Dimensions	Drive	PU Piece	Article No.
4.5 x 50 mm	TX 20	400	144892
4.5 x 60 mm	TX 20	300	121358
5 x 50 mm	TX 25	300	001748

EasyTop Partial Thread with countersunk head and drillbit TX zinc plated			
Dimensions	Drive	PU Piece	Article No.
5 x 60 mm	TX 25	200	157463
5 x 70 mm	TX 25	200	121359
5 x 80 mm	TX 25	200	121360

EasyTop Partial Thread with countersunk head and drillbit TX zinc plated			
Dimensions	Drive	PU Piece	Article No.
5 x 90 mm	TX 25	150	157462
5 x 100 mm	TX 25	150	001749

AGR: 00.440

Countersunk With Milling Head TX, Yellow Zinc Coated

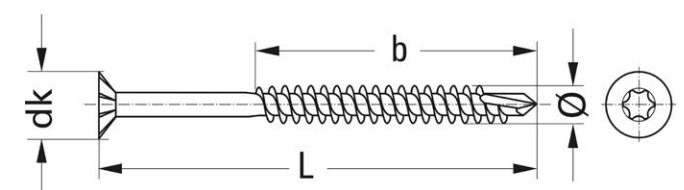
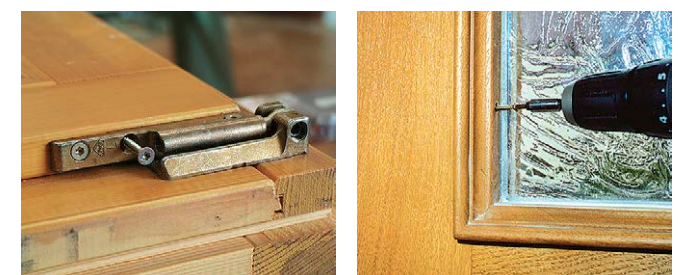
- Drill tip reduces cracking and cracking in the edge or corner area and reduces the shrink resistance by 40%
- Part thread ensures the tension-free screwing of two wooden parts lying on top of each other
- Milling ribs for fast, clean and tear-free sinking in all types of wood with and without coating
- The variant with a 60 ° ornamental head provides an appealing look and reduces the risk of cracking wood

Application Area

- Countersunk head: Fitting of hard and soft wood, chipboard, plywood, OSB boards and plastics
- 60 ° Ornamental head variant: screwing of flooring as well as decorative, foot, closure, door, window, glass and mounting strips

Processing Information

- Galvanized screws in outdoor areas and in damp areas are not permanently corrosion resistant
- Alternatively: chipboard screws EASYtop stainless steel



Wood, chipboard and drywall screws

1



Thread	6
Ø head	12 mm
Drive	TX 30

Countersunk With Milling Head TX, Yellow Zinc Coated

Dimensions	Thread length	PU Piece	Article No.
6 x 80 mm	48 mm	100	006561
6 x 90 mm	54 mm	100	006563

Countersunk With Milling Head TX, Yellow Zinc Coated

Dimensions	Thread length	PU Piece	Article No.
6 x 100 mm	60 mm	100	006566
6 x 120 mm	60 mm	100	006568

AGR: 00.441

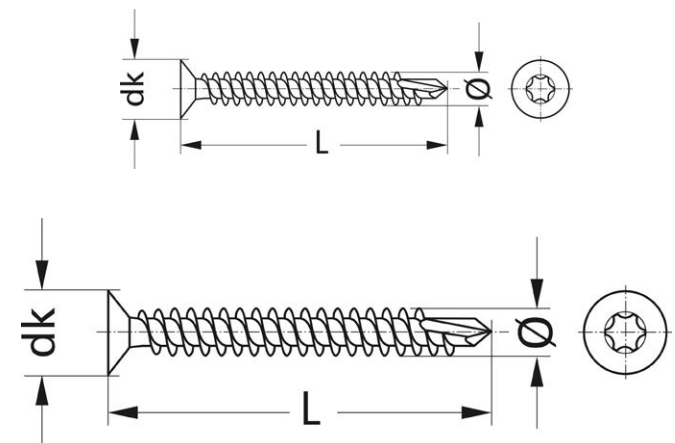
EasyTop FM Countersunk-Head TX zinc plated

Characteristics

- TX galvanized



1



INTERNAL/Approved (2019-03-22 11:36:18)

Title	Dimension	Drive	Ø head	PU Piece	Article No.
Woodscrew EASYtop	4 x 30 mm	TX 15	7 mm	1000	167334

5

1

EasyTop Screw Countersunk-Head TX martensitic/stainless steel

- Special stainless steel (martensitic) prevents from rust lanes on wood and rusty screw heads and has a 60% higher breaking torque than conventional stainless steel A2 screws
- Drillbit reduces the risk of cracking and gaps in the edge or corner region and reduces the insertion resistance by 40%
- Partial thread ensures the tension-free screwing of two stacked wooden parts
- Milling ribs for quick, clean and tear-free countersinking in all types of wood, with or without coating

Application Area

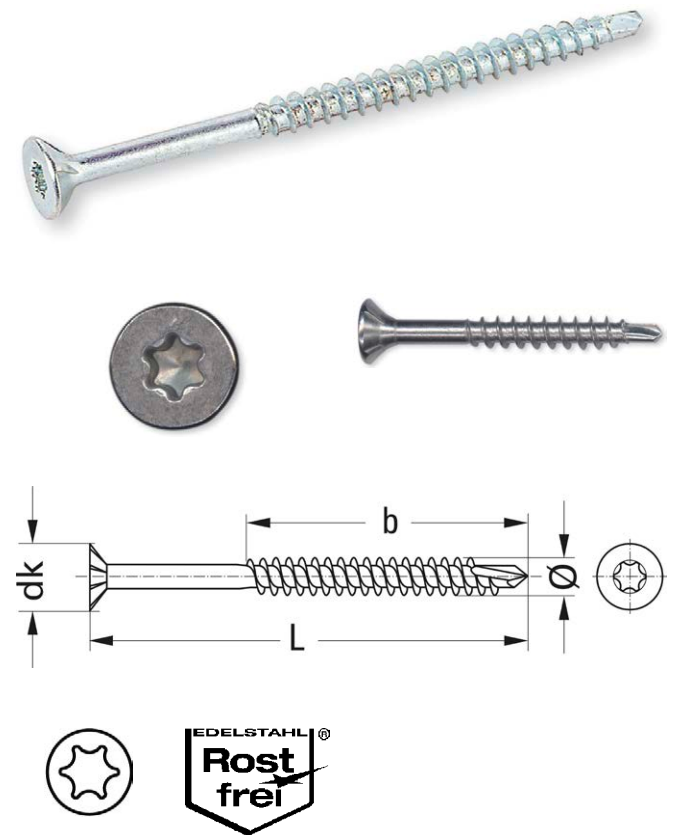
- Screw connections outdoors such as terraces, facade claddings, balconies, fences, playground equipment
- Very suitable for hardwood

Characteristics

- TX stainless steel (martensitic)

Processing Information

- At the processing of boards, the use of \varnothing 5.0 mm and the pre-drilling of the boards is recommended
- Each board is screwed to the substructure with a pair of screws at a crossing point
- The distance between the boards should be at least 7 mm
- Optimal results are achieved by the additional use of the Berner terrace construction bar between boards and substructure
- Not suitable for the processing of tannic acid timber, the use of A4 screws (e. g. TerTec screw A4) is recommended here



Thread	4	5	6
Ø head	8 mm	10 mm	12 mm
Drive	TX 15	TX 25	TX 30

EasyTop Screw Countersunk-Head TX martensitic/stainless steel			
Dimensions	Drive	PU Piece	Article No.
4 x 30 mm	TX 15	400	157464

EasyTop Screw Countersunk-Head TX martensitic/stainless steel			
Dimensions	Drive	PU Piece	Article No.
4 x 35 mm	TX 15	300	157471

EasyTop Screw Countersunk-Head TX martensitic/stainless steel			
Dimensions	Drive	PU Piece	Article No.
4 x 40 mm	TX 15	300	149395

INTERNAL/Approved (2019-03-22 11:36:23)

EasyTop Screw Countersunk-Head TX martensitic/stainless steel			
Dimensions	Drive	PU Piece	Article No.
4 x 45 mm	TX 15	300	149396
4 x 50 mm	TX 15	300	149397
4 x 60 mm	TX 15	200	149398
4 x 70 mm	TX 15	200	167954
5 x 45 mm	TX 25	200	043269
5 x 50 mm	TX 25	200	149401

EasyTop Screw Countersunk-Head TX martensitic/stainless steel			
Dimensions	Drive	PU Piece	Article No.
5 x 60 mm	TX 25	200	149402
5 x 70 mm	TX 25	150	149406
5 x 80 mm	TX 25	150	149407
5 x 90 mm	TX 25	150	149412
5 x 100 mm	TX 25	150	158180
6 x 80 mm	TX 30	100	002261

EasyTop Screw Countersunk-Head TX martensitic/stainless steel			
Dimensions	Drive	PU Piece	Article No.
6 x 90 mm	TX 30	100	002262
6 x 100 mm	TX 30	100	002263
6 x 120 mm	TX 30	100	002264
6 x 140 mm	TX 30	100	003574
6 x 160 mm	TX 30	100	002265

AGR: 00.442

Partial thread with countersunk milling head , TX made of martensitic stainless steel

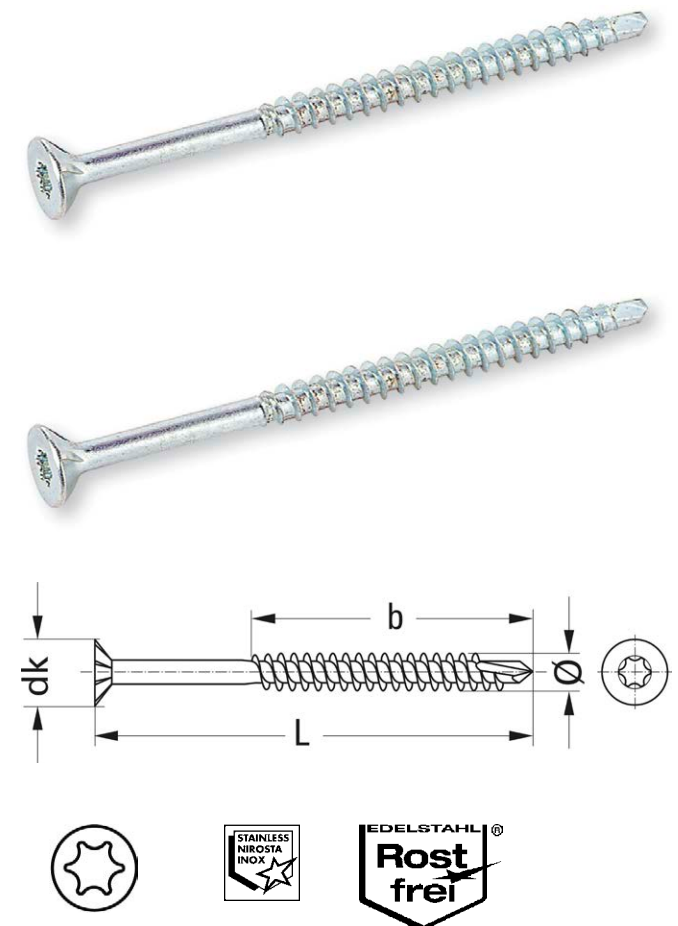
- Special stainless steel (martensitic) prevents rust traces on the wood as well as rusty screw heads and has a 60% higher breaking torque compared to conventional stainless steel A2 screws
- Drill tip reduces cracking and cracking in the edge or corner area and reduces the shrink resistance by 40%
- Partial thread ensures the tension-free screwing of two wooden parts lying on top of one another
- Milling ribs for fast, clean and tear-free sinking in all types of wood with and without coating
- The 60 ° ornamental head variant provides an appealing look and reduces the risk of splitting wood and laths when screwing in the countersunk head

Application Area

- Very suitable for hardwoods
- Countersunk version: Fittings of terraces, facade claddings, balconies, fences, outdoor playground equipment
- 60 ° Ornamental head variant: Fitting of decorative, foot, end, door, window, glass and mounting strips in the outdoor area

Processing Information

- For the processing of terraces the use of Ø 5,0 mm is recommended
- For woods with a bulk density of > 500 Kg / m³ (for example, Bankirai) should be predrilled with 0.6 - 0.8 x screw diameter



Wood, chipboard and drywall screws

1

- Each floorboard is screwed to the substructure with a pair of screws at a crossroads point
- The distance between the boards should be at least 7 mm
- Optimal results are achieved by the additional use of the Berner Terrassenbauleiste between floorboards and substructure
- The distance from the screw pair to the pair of screws should not exceed 50 cm
- Not suitable for the processing of tannic wood (e.g., acacia, oak, larch, mandioqueira or cedar), use of A4 screws (e.g., EASYpat A4) is recommended

Thread	4.5
Drive	TX 20
Ø head	9 mm

Partial thread with countersunk milling head , TX made of martensitic stainless steel

Dimensions	Thread length	PU Piece	Article No.
4.5 x 40 mm	24 mm	300	164984
4.5 x 45 mm	30 mm	200	157477

Partial thread with countersunk milling head , TX made of martensitic stainless steel

Dimensions	Thread length	PU Piece	Article No.
4.5 x 50 mm	30 mm	200	157475
4.5 x 60 mm	40 mm	200	157476

Partial thread with countersunk milling head , TX made of martensitic stainless steel

Dimensions	Thread length	PU Piece	Article No.
4.5 x 70 mm	50 mm	150	157479

AGR: 00.442

EasyTop Screw Ornamental Countersunk-Head TX yellow zinc plated

- Small rounded decorative head ensure a discreet decorativ finish
- Drilling screws are effective because they both drill and cut threads at the same time which can reduce installation costs as there is no need for a drill or additional punching tools
- Drillbit reduces the risk of cracking and gaps in the edge or corner region and reduces the insertion resistance by 40%
- Partial thread ensures the tension-free screwing of two stacked wooden parts

Application Area

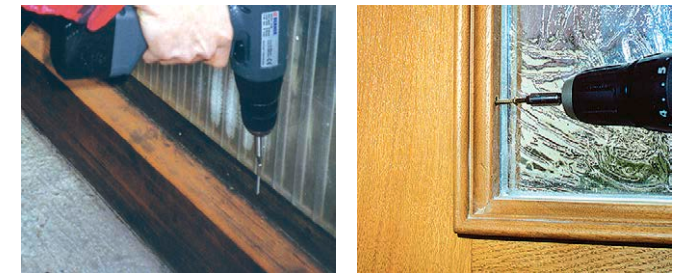
- For installation of flooring and paneling, foot, sealing, door, window and glazing beads indoors.

Characteristics

- Yellow chromated, countersunk cone head Ø5,2 mm

Processing Information

- Use in the outdoor area the EASYtop decorative head made from stainless steel



Thread	3.2
Ø head	5.2 mm
Drive	TX 10

EasyTop Screw Ornamental Countersunk-Head TX yellow zinc plated			
Dimensions	Drive	PU Piece	Article No.
3.2 x 30 mm	TX 10	1000	164329
3.2 x 35 mm	TX 10	1000	164330

EasyTop Screw Ornamental Countersunk-Head TX yellow zinc plated			
Dimensions	Drive	PU Piece	Article No.
3.2 x 40 mm	TX 10	1000	164331
3.2 x 50 mm	TX 10	500	164332

EasyTop Screw Ornamental Countersunk-Head TX yellow zinc plated			
Dimensions	Drive	PU Piece	Article No.
3.2 x 60 mm	TX 10	500	164333

AGR: 00.446

1

EasyTop Screw Ornamental Countersunk-Head TX martensitic/stainless steel

- Small 60° decorative head ensures an attractive appearance and reduces the gap risk of wood and frames while screwing the countersunk head
- A friction thread on the shaft (from Ø 4 mm) reduces the physical effort by 25%
- Special stainless steel (martensitic) prevents from rust lanes on wood and rusty screw heads and has a 60% higher breaking torque than conventional stainless steel A2 screws
- Drillbit reduces the risk of cracking and gaps in the edge or corner region and reduces the insertion resistance by 40%
- Partial thread ensures the tension-free screwing of two stacked wooden parts
- Milling ribs for quick, clean and tear-free countersinking in all types of wood, with or without coating

Application Area

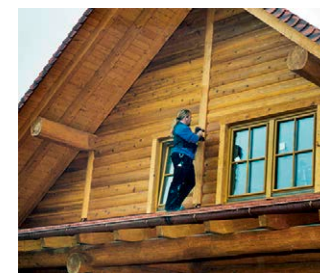
- For the screw connection of terraces, facade claddings, balconies, fences, playground equipment and decorative, foot, closing, door, window, glass and mounting rails in the outdoor area
- Very suitable for hardwood

Characteristics

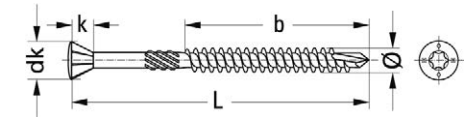
- TX stainless steel (martensitic)

Processing Information

- At the processing of boards, the use of Ø 5.0 mm and the pre-drilling of the boards is recommended
- Each board is screwed to the substructure with a pair of screws at a crossing point
- The distance between the boards should be at least 7 mm
- Optimal results are achieved by the additional use of the Berner terrace construction bar between boards and substructure
- Not suitable for the processing of tannic acid timber, the use of A4 screws (e. g. TerTec screw A4) is recommended here



Wood, chipboard and drywall screws



1

Thread	3.2	4	4.5	5
Ø head	5.2 mm	6 mm	7 mm	7.7 mm
Drive	TX 10	TX 15	TX 20	TX 20

EasyTop Screw Ornamental Countersunk-Head TX martensitic/stainless steel			
Dimensions	Drive	PU Piece	Article No.
3.2 x 30 mm	TX 10	500	164297
3.2 x 35 mm	TX 10	400	164298
3.2 x 40 mm	TX 10	400	164299
3.2 x 50 mm	TX 10	300	164300
3.2 x 60 mm	TX 10	300	164301
4 x 40 mm	TX 15	300	020907

EasyTop Screw Ornamental Countersunk-Head TX martensitic/stainless steel			
Dimensions	Drive	PU Piece	Article No.
4 x 50 mm	TX 15	300	020905
4 x 60 mm	TX 15	200	020904
4 x 70 mm	TX 15	200	020903
4.5 x 50 mm	TX 20	200	020900
4.5 x 60 mm	TX 20	200	020899
4.5 x 70 mm	TX 20	150	020898

EasyTop Screw Ornamental Countersunk-Head TX martensitic/stainless steel			
Dimensions	Drive	PU Piece	Article No.
5 x 50 mm	TX 20	200	022615
5 x 60 mm	TX 20	200	020896
5 x 70 mm	TX 20	150	020894
5 x 80 mm	TX 20	150	020893

AGR: 00.447

1

EasyFix stainlesssteel

- As complete starter set available (Art. No. 243900)
- Great time saving during the installation compared to similar products
- No pre-drilling required
- Screw heads are not visible on the floorboards
- Processing of the boards is not required
- Integrated spacer ensures a consistent 8 mm gap

Application Area

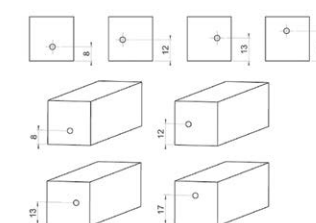
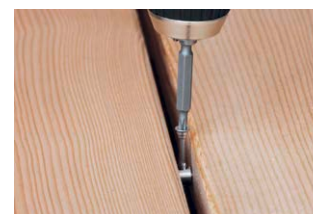
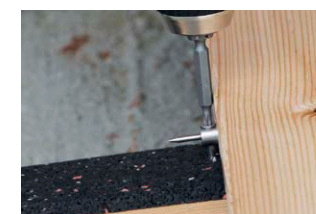
- Invisible terraces fastening system for softwood terraces
- Laying of terrace tiles without visible bolting

Processing Information

- Drive-in aid for easy driving of the EasyFix
- Due to eccentric insertion holes, it can be used for all common board thicknesses
- Color marks on the sides of the drive-in aid as a help for the positioning of Easyfix at the respective board thickness

Hints

- EasyFix stainless steel starter set consistent of:
 - Easy Fix stainless steel
 - Easytop ZK TX20 5,0X80 MAR/ES
 - Easytop ZK TX20 5,0X70 MAR/ES
 - Easytop ZK TX20 5,0X60 MAR/ES
 - Easytop ZK TX20 5,0X50 MAR/ES
 - Drive-in Aid EasyFix
 - Bera Clic+Gr.3
 - BC ticking
- Specific requirements of the timber manufacturer must be observed



Title	PU Piece	Article No.
DRIVE IN HELP F. EASY FIX	1	243383
EASY FIX STAINLESSTEEL	100	243380

AGR: 00.496

Wood, chipboard and drywall screws

Necessary Accessories

	PU Amount	Article No.
Wood Screw EASYTop TX15 5x50 Stainless steel martensitic	200	022615
Wood Screw EasyTop TX20 5x60 Stainless steel martensitic	200	020896
Wood Screw EasyTop TX20 5x70 Stainless steel martensitic	150	020894
Wood Screw EasyTop TX20 5x80 Stainless steel martensitic	150	020893

1

1

TerTec screw TX martensitic

- Cylinder head prevents from chip raising
- Reinforced bolt shank prevents from the shearing of the screw
- Special stainless steel (martensitic) prevents from rust lanes on wood as well as rusty screw heads and has a 60 % higher breaking torque than conventional stainless steel screws A2

Application Area

- Screwing of wooden terraces

Characteristics

- Wood screw with part thread and cylinder head

Processing Information

- When processing terrace boards, pre-drilling with the EasyPat/ TerTec countersunk drill \varnothing 4.5 mm is recommended
- Each board is screwed at a crossing point to the substructure with a pair of screws
- The distance from one screw pair to another screw pair should not exceed 50 cm
- The distance between the boards should be at least 7 mm
- Optimum results are achieved by the additional use of the Berner terrace construction bar between boards substructure

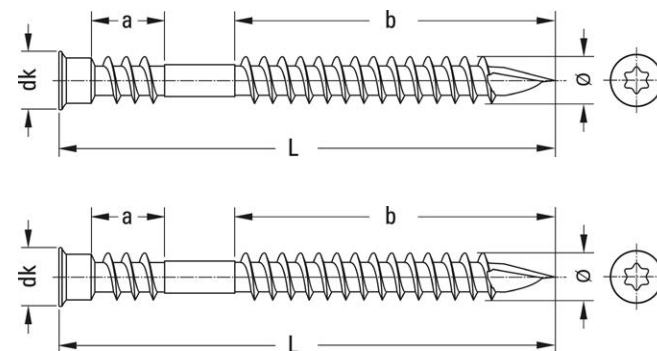
Hints

- For woods with a high proportion of tannic acid <soft return/>(- such as acacia, oak, larch or cedar), the use of the TerTec A4 screw is imperative, as otherwise oxidation on wood can occur
- The screw depth into the substructure should be 6 x of the thread diameter

Technical Data

Surface protection

martensitic



Title	Wood Thread Ø	Wood Thread Length	Keep Thread Ø	Keep Thread Length	Drive	Length total (mm)	PU Piece	Article No.
TERTEC SCR.TX25 5,5X50 MAR/SS	5.5 mm	25 mm	5.5 mm	9 mm	TX 25	50 mm	200	060848
TERTEC SCR.TX25 5,5X60 MAR/SS	5.5 mm	25 mm	5.5 mm	9 mm	TX 25	60 mm	200	060849
EASYPAT 5,5X70 TX 25 SS/MAR	5.5 mm	30 mm	5.5 mm	9 mm	TX 25	70 mm	200	060850
TERTEC SCR.TX25 5,5X80 MAR/SS	5.5 mm	30 mm	5.5 mm	9 mm	TX 25	80 mm	200	060851
TERTEC SCR.TX25 5,5X100 A2/MAR	5.5 mm	35 mm	5.5 mm	9 mm	TX 25	100 mm	100	083483

AGR: 00.496

Martensitic Terrace building screw

- Cylinder head prevents the tension setting up
- Notch tip prevents the splitting of the floorboards and provides rapid insertion of the screw
- Grinding thread on the shank decreases the torque resistance by up to 25%
- Special stainless steel (martensitic) prevents rust lanes on wood and rusty screw
- heads and has a 60% higher breaking torque compared with conventional stainless steel A2 screws

Application Area

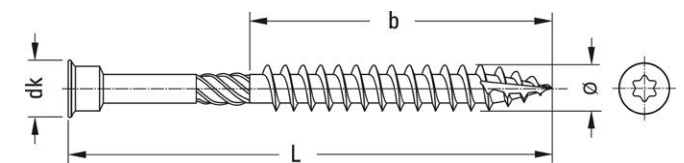
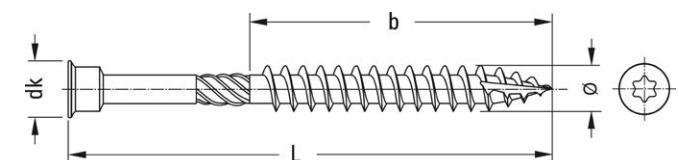
- Used for fitting of hardwood terraces

Processing Information

- During the processing of decking, the pre-drilling with 0.6-0.8 x it is recommended to use the screw diameter
- Each plank is screwed at an intersection with the substructure with a pair of screws
- The distance from the pair of screws to another pair of screws should be maximum 50 cm
- The distance between the boards should be at least 7 mm
- Optimal results are achieved by the additional use of the Berner terraces construction output reached
- between floorboards and substructure

Hints

- For wood with a high concentration of tannic acid (E.g., acacia, oak, larch or cedar), it is absolutely necessary to use the A4 EASYpat screw, since this can lead to oxidation at the wood
- The engagement in the substructure should be 6x threaded-Ø





Thread	4.0	4.5	5
Ø head	5.7 mm	6.8 mm	8.5 mm
Drive	TX 15	TX 20	TX 25

Martensitic Terrace building screw			
Dimensions	Thread length	PU Piece	Article No.
4.0 x 40 mm	24 mm	400	367854
4.0 x 50 mm	30 mm	400	367855
4.0 x 60 mm	36 mm	400	367856
4.0 x 70 mm	42 mm	200	367857
4.5 x 50 mm	30 mm	400	034157

Martensitic Terrace building screw			
Dimensions	Thread length	PU Piece	Article No.
4.5 x 60 mm	35 mm	400	034158
4.5 x 70 mm	40 mm	200	034159
5 x 50 mm	30 mm	300	034160
5 x 60 mm	35 mm	200	034161
5 x 70 mm	40 mm	200	034162

Martensitic Terrace building screw			
Dimensions	Thread length	PU Piece	Article No.
5 x 80 mm	50 mm	200	034163
5 x 90 mm	55 mm	200	156553
5 x 100 mm	60 mm	200	156552

AGR: 00.496

TerTec screw stainless steel A4

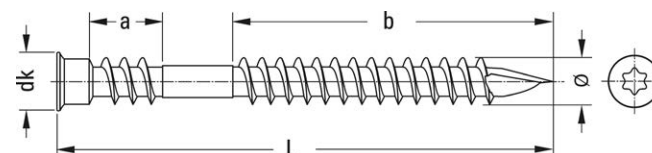
- Cylinder head prevents from chip raising
- Stainless steel A4 is absolutely corrosion and acid resistant.
- The second thread below the head pulls the board tighter to the substructure

Application Area

- For screwing of hardwood terraces near the water or by a direct flow of sea water
- For tannic acid woods like acacia, oak or cedar

Processing Information

- When processing terrace boards, pre-drilling with the Easypat/ TerTec countersunk drill Ø 4.5 mm is recommended
- Each board is screwed at a crossing point to the substructure with a pair of screws
- The distance from one screw pair to another screw pair should not exceed 50 cm
- The distance between the boards should be at least 7 mm



INTERNAL/Approved (2019-03-22 11:37:49)

Wood, chipboard and drywall screws

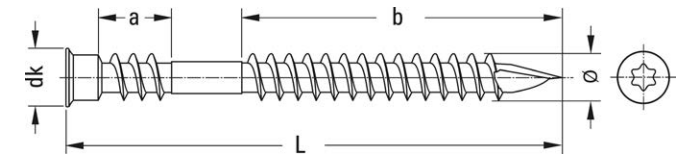
- Optimum results are achieved by the additional use of the Berner terrace construction bar between boards substructure

Hints

- The screw depth into the substructure should be $>6 \times$ thread diameter

Technical Data

Surface protection plain



Title	Wood Thread Ø	Keep Thread Length	Drive	Length total (mm)	PU Piece	Article No.
TERTEC SCREW TX25 5,5X50 A4	5.5 mm	9 mm	TX 25	50 mm	100	034167
TERRATEC A4 5,0X60	5.5 mm	9 mm	TX 25	60 mm	100	034171
TERRATEC A4 5,0X70	5.5 mm	9 mm	TX 25	70 mm	100	034174
TERRATEC A4 5,0X80	5.5 mm	9 mm	TX 25	80 mm	100	034175

AGR: 00.496

TerTec mounting rail synth.

- Ribbed construction of the bar ensures air circulation between board and substructure, thereby the moisture removal is accelerated and the weathering process of the wood is reduced
- Bar made from weather- and UV-resistant plastic



Wood, chipboard and drywall screws

1

- Hardwood floors, depending on the moisture level, can have a material gain or loss of up to 7 mm. If the board is screwed directly with the substructure, this can result in a shearing of the screws (Fig. 1). By the use of the terrace construction bar between board and substructure, a distance of 13 mm is created, thus, the shear loading becomes a bend load, therefore, the screw shearing is minimized (Fig. 2)
- Plug connections enable any extension

Application Area

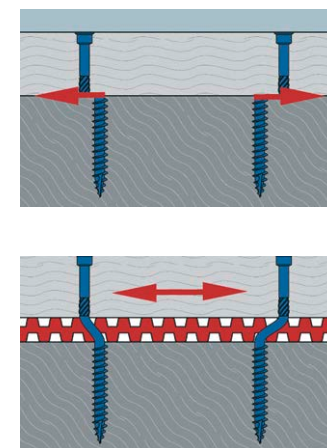
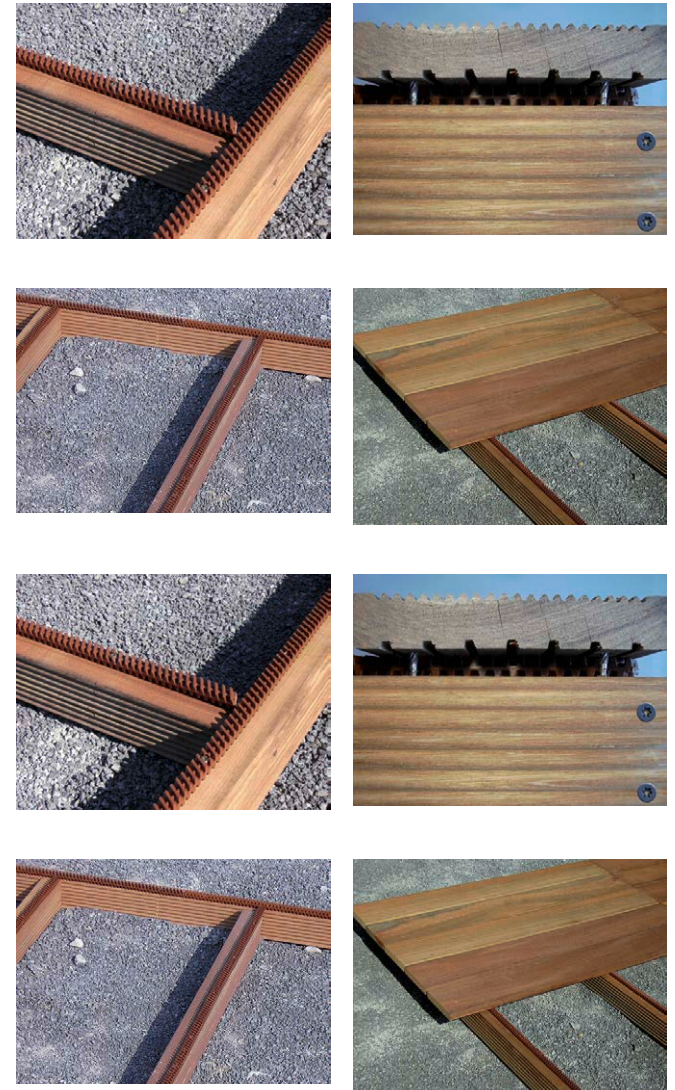
- Serves as a spacer between boards and the substructure at the terrace construction

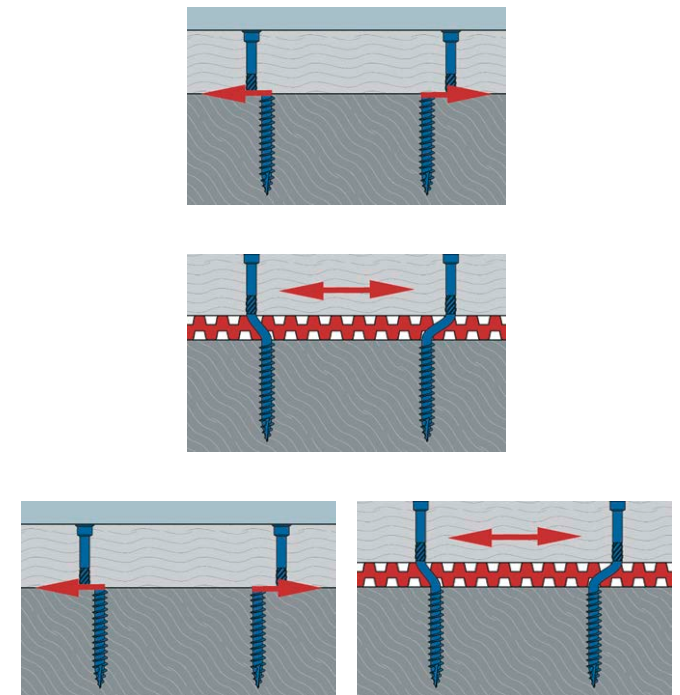
Processing Information

- The terrace construction bar is screwed on the entire substructure, half-sided, by a screw (e. g. Easytop)
- Screwing is done with 5 screws per bar
- The bar can be shortened to any length, for example, by a crowbar
- The boards are screwed next to the terrace construction bar to the substructure

Title	Length total (mm)	PU Piece	Article No.
TERTEC BAR 13X16X730 SYNTH.	73 mm	50	034176

AGR: 00.496





Terrace Electro

- Pre-drilling and countersinking in one operation
- Precise preparation by centering
- Drilling and chip optimized for use on hardwood
- The depth stop always the same sinking deep in the wood
- Suitable for all types of head (90° countersunk head, 60° ornamental head and cylinder head)



Title	Drill-Ø	Drilling depth	PU Piece	Article No.
Terrace Electro	4.5 mm	25 mm	1	082840

AGR: 00.496

Terrace Foot EPDM

- Prevent the direct contact of the sub-construction with the ground and through this prevent also the weathering process

Application Area

- For the building of hardwood terraces



1

Processing Information

- The Terrace pad can be connected to the substructure by using the screws

Technical Data

Norms	-
Surface protection	Plastic-covered / -coated

Title	Thread length	Drive shape	Surface protection	PU Piece	Article No.
Terrace Foot EPDM	60 mm	E	KB	20	055779

AGR: 00.439

Terrace Foot S

- height adjustable
- Prevent the direct contact of the sub-construction
- with the ground and through this prevent also the weathering process

Application Area

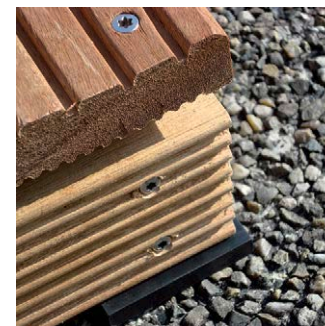
- For the building of hardwood terraces

Technical Data

Norms	-
Surface protection	Plastic-covered / -coated

Title	Thread length	Drive shape	Surface protection	PU Piece	Article No.
Terrace Foot S	40 mm	12KT	KB	30	099072

AGR: 00.496



Terrace Foot M

- Vertically adjustable, also in the built-in condition
- Prevent the direct contact of the sub-construction with the ground and through this prevent also the weathering process

Application Area

- For the building of hardwood terraces

Hints

- Supporting plate lies separated during the delivery and must be brought together during the competition! Diameter 150 mm



1

Technical Data

Norms	-
Surface protection	Plastic-covered / -coated

Title	Threaded version, nominal Ø	Thread length	Drive shape	Surface protection	PU Piece	Article No.
Terrace Foot M	150 mm	65 mm	6KT	KB	25	082838

AGR: 00.496

Terrace Foot XL

- Vertically adjustable, also in the built-in condition
- Prevent the direct contact of the sub-construction with the ground and through this prevent also the weathering process

Application Area

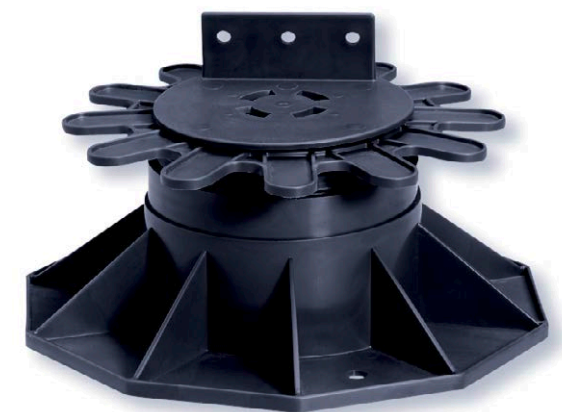
- For the building of hardwood terraces

Technical Data

Norms	-
Surface protection	Plastic-covered / -coated

Title	Threaded version, nominal Ø	Thread length	Drive shape	Surface protection	PU Piece	Article No.
Terrace Foot XL	200 mm	125 mm	12KT	KB	10	082839

AGR: 00.496



INTERNAL/Approved (2019-03-22 11:38:27)

1

Decking screw for slide

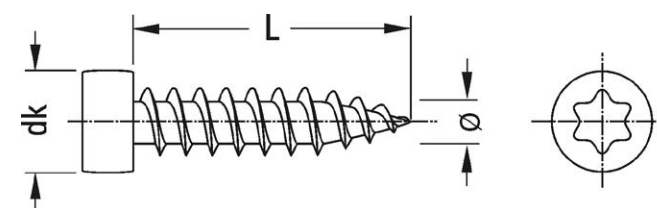
- Only one screw dimensions required, regardless of the material thickness, length or width of the board or under construction
- The special head shape is perfectly adapted to the Terra Seng Head
- From martensitic stainless steel, which means a 60% higher breaking torque compared to a stainless steel A2 screw with the same corrosion behavior

Application Area

- Construction of hardwood terraces

Hints

- In woods with a high percentage of tannic acid (eg, acacia, oak, cedar, larch part also) this screw can not be used because it may cause oxidation on wooden else



Title	Dimension	Drive	PU Piece	Article No.
Decking Screw EASYpat	4.2 x 24 mm	TX 20	600	042251

AGR: 00.496

Terrace Glider

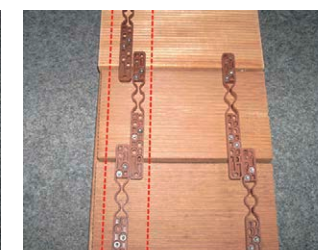
- Used for the invisible fastening of hardwood terraces
- A distance between hallway will be made and managed by the gliders sub-construction.
- This allows air to circulate between the hall and substructure, which in turn prevents the weathering process of wood
- Universal application for boards with width of 80-160mm
- The flexible compensation zone in the middle of the terrace glider takes material movements optimally and through this it prevents screw demolitions
- Made of weather-proof synthetic material (PA 6) with a glass fiber share of 30%

Application Area

- For the building of hardwood terraces

Processing Information

- For the sub-construction the distance of the crossways



INTERNAL/Approved (2019-03-22 11:38:33)

- woods should be amount of approx. 50 cm
- The terrace glider is screwed together everywhere with
- 4 EASYpat4.2 x 24 screws on the underside of the
- hallway, there where a crossways wood is
- Let a stretching joint of 7-10 mm between the hallways
- The first hallway must be visibly screwed together

Hints

- Use the EASYpat 4,2 x 24 mm for the threaded
- connection of the glider since this is optimally coordinated
- by the special shape of the head with the glider

Title	Dimension	Drive	PU Piece	Article No.
EASYpat Terrace	19 x 190 mm	TX 0	100	047285

AGR: 00.496

1

Terrace Stick Inox



Title	Dimension	Drive	PU Piece	Article No.
TERRACE-STICK INOX AGR: 00.496	4.3 x 54 mm	TX 15	125	341591

Terrace angle



Title	Dimension	Drive	PU Piece	Article No.
Terrace angle AGR: 00.496	4.2 x 22 mm	TX 20	10	341589

TERRACE START-END SLIDER



1

Title	Dimension	Drive	PU Piece	Article No.
TERRACE START-END SLIDER	4.2 x 22 mm	TX 20	10	341590

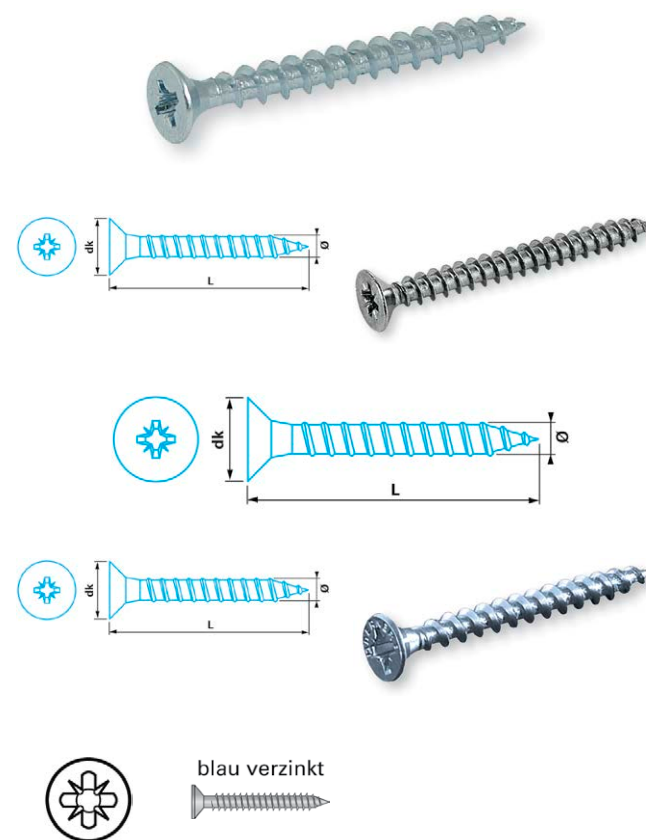
AGR: 00.496

1

Pozi Driv, Full Threaded, Countersunk Head, Galvanized

Application Area

- Screwing of hard and soft wood, chipboard, plywood boards, OSB boards and plastics
- In conjunction with nylon dowels ideal for attachments in masonry and concrete subsoil



Thread	3	3.5	4	4.5	5
Ø head	5.7 mm	7 mm	7.5 mm	8.5 mm	9.5 mm
Drive	PZ 1	PZ 2	PZ 2	PZ 2	PZ 2

Pozi Driv, Full Threaded, Countersunk Head, Galvanized			
Dimensions	Drive	PU Piece	Article No.
3 x 12 mm	PZ 1	1000	086563
3 x 15 mm	PZ 1	1000	086565
3 x 17 mm	PZ 1	1000	086567
3 x 20 mm	PZ 1	1000	086568
3 x 25 mm	PZ 1	1000	086569
3 x 30 mm	PZ 1	1000	086570
3 x 35 mm	PZ 1	1000	086571
3 x 40 mm	PZ 1	1000	086572
3.5 x 15 mm	PZ 2	1000	086576
3.5 x 17 mm	PZ 2	1000	086578
3.5 x 20 mm	PZ 2	1000	086579

Pozi Driv, Full Threaded, Countersunk Head, Galvanized			
Dimensions	Drive	PU Piece	Article No.
3.5 x 25 mm	PZ 2	1000	086580
3.5 x 30 mm	PZ 2	1000	086581
3.5 x 35 mm	PZ 2	1000	086582
3.5 x 40 mm	PZ 2	1000	086583
4 x 16 mm	PZ 2	1000	086589
4 x 17 mm	PZ 2	1000	086590
4 x 20 mm	PZ 2	1000	086591
4 x 25 mm	PZ 2	1000	086592
4 x 30 mm	PZ 2	1000	086593
4 x 35 mm	PZ 2	500	086594
4 x 40 mm	PZ 2	500	086595

Pozi Driv, Full Threaded, Countersunk Head, Galvanized			
Dimensions	Drive	PU Piece	Article No.
4 x 45 mm	PZ 2	500	086596
4 x 50 mm	PZ 2	500	086597
4 x 55 mm	PZ 2	400	086598
4 x 60 mm	PZ 2	400	086599
4 x 70 mm	PZ 2	300	086600
4.5 x 35 mm	PZ 2	500	086607
4.5 x 50 mm	PZ 2	400	086610
5 x 20 mm	PZ 2	500	086615
5 x 30 mm	PZ 2	500	086617
5 x 35 mm	PZ 2	500	086618
5 x 40 mm	PZ 2	500	086619

INTERNAL/Approved (2019-03-22 11:38:56)

Wood, chipboard and drywall screws

Pozi Driv, Full Threaded, Countersunk Head, Galvanized			
Dimensions	Drive	PU Piece	Article No.
5 x 50 mm	PZ 2	300	086621
5 x 60 mm	PZ 2	200	086623

Pozi Driv, Full Threaded, Countersunk Head, Galvanized			
Dimensions	Drive	PU Piece	Article No.
5 x 70 mm	PZ 2	200	086624

AGR: 00.400

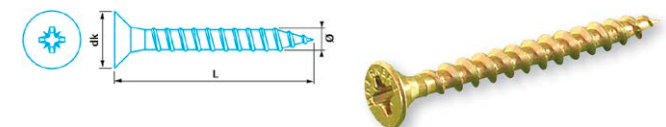
Pozi Driv, Full Threaded, Countersunk Head, Yellow Galvanized

Application Area

- Screwing of hard and soft wood, chipboard, plywood boards, OSB boards and plastics
In conjunction with nylon dowels ideal for attachments in masonry and concrete subsoil

Processing Information

- Galvanized screws in outdoor areas and in damp areas are not permanently corrosion resistant
Alternatively: chipboard screws stainless steel A2
For screws without milling ribs on the countersunk head, countersinking with a 90 ° countersink is recommended
DIN 1052 points out that wood from a total density of 500 kg / m³ must be pre-drilled along its entire length with 0.6 - 0.8 x screw diameter



Thread	3	3.5	4	4.5	5	6
Ø head	5.7 mm	7 mm	7.5 mm	8.5 mm	9.5 mm	11.5 mm
Drive	PZ 1	PZ 2	PZ 2	PZ 2	PZ 2	PZ 3

Pozi Driv, Full Threaded, Countersunk Head, Yellow Galvanized			
Dimensions	Drive	PU Piece	Article No.
3 x 12 mm	PZ 1	1000	086637
3 x 15 mm	PZ 1	1000	086639
3 x 17 mm	PZ 1	1000	086641
3 x 20 mm	PZ 1	1000	086642
3 x 25 mm	PZ 1	1000	086643
3 x 30 mm	PZ 1	1000	086644

Pozi Driv, Full Threaded, Countersunk Head, Yellow Galvanized			
Dimensions	Drive	PU Piece	Article No.
3 x 35 mm	PZ 1	1000	086645
3 x 40 mm	PZ 1	1000	086646
3.5 x 13 mm	PZ 2	1000	086647
3.5 x 15 mm	PZ 2	1000	086648
3.5 x 17 mm	PZ 2	1000	086650
3.5 x 20 mm	PZ 2	1000	086651

Pozi Driv, Full Threaded, Countersunk Head, Yellow Galvanized			
Dimensions	Drive	PU Piece	Article No.
3.5 x 25 mm	PZ 2	1000	086652
3.5 x 30 mm	PZ 2	1000	086653
3.5 x 35 mm	PZ 2	1000	086654
3.5 x 40 mm	PZ 2	1000	086655
3.5 x 45 mm	PZ 2	500	086656
3.5 x 50 mm	PZ 2	500	086657

INTERNAL/Approved (2019-03-22 11:39:26)

Wood, chipboard and drywall screws

1

Pozi Driv, Full Threaded, Countersunk Head, Yellow Galvanized			
Dimensions	Drive	PU Piece	Article No.
4 x 16 mm	PZ 2	1000	086660
4 x 20 mm	PZ 2	1000	086662
4 x 25 mm	PZ 2	1000	086663
4 x 30 mm	PZ 2	1000	086664
4 x 35 mm	PZ 2	500	086665
4 x 40 mm	PZ 2	500	086666
4 x 45 mm	PZ 2	500	086667
4 x 50 mm	PZ 2	500	086668
4 x 55 mm	PZ 2	400	086669
4 x 60 mm	PZ 2	400	086670
4.5 x 30 mm	PZ 2	500	086676

Pozi Driv, Full Threaded, Countersunk Head, Yellow Galvanized			
Dimensions	Drive	PU Piece	Article No.
4.5 x 35 mm	PZ 2	500	086677
4.5 x 40 mm	PZ 2	500	086678
4.5 x 45 mm	PZ 2	500	086679
4.5 x 50 mm	PZ 2	400	086680
4.5 x 60 mm	PZ 2	300	086682
5 x 20 mm	PZ 2	500	086685
5 x 25 mm	PZ 2	500	086686
5 x 30 mm	PZ 2	500	086687
5 x 35 mm	PZ 2	500	086688
5 x 40 mm	PZ 2	500	086689
5 x 45 mm	PZ 2	400	086690

Pozi Driv, Full Threaded, Countersunk Head, Yellow Galvanized			
Dimensions	Drive	PU Piece	Article No.
5 x 50 mm	PZ 2	300	086691
5 x 55 mm	PZ 2	300	086692
5 x 60 mm	PZ 2	200	086693
5 x 70 mm	PZ 2	200	086694
6 x 30 mm	PZ 3	200	086698
6 x 40 mm	PZ 3	200	086699
6 x 50 mm	PZ 3	200	086701
6 x 60 mm	PZ 3	200	086702
6 x 70 mm	PZ 3	200	086703

AGR: 00.401

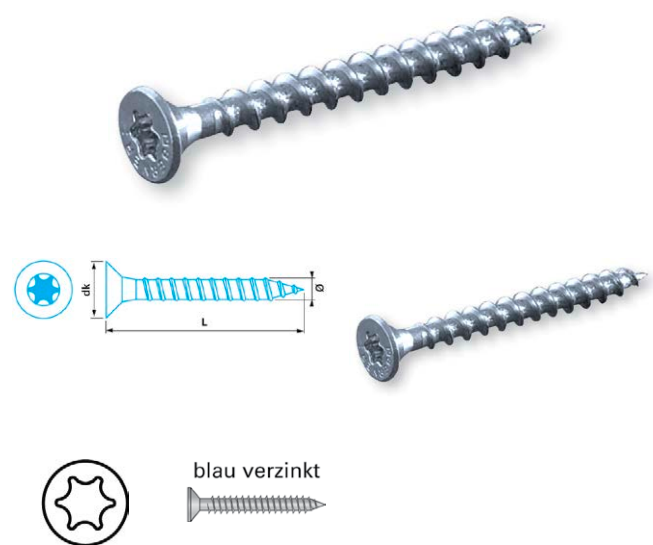
TX, Full Threaded, Countersunk Head, Zinc Coated

Application Area

- Screwing of hard and soft wood, chipboard, plywood boards, OSB boards and plastics
- In conjunction with nylon dowels ideal for attachments in masonry and concrete subsoils

Processing Information

- Galvanized screws in outdoor areas and in damp areas are not permanently corrosion resistant
- Alternatively: chipboard screws stainless steel A2
- For screws without milling ribs on the countersunk head, countersinking with a 90 ° countersink is recommended
- DIN 1052 points out that wood from a total density of 500 kg / m³ must be pre-drilled along its entire length with 0.6 - 0.8 x screw diameter



Thread	3	3.5	4	4.5	5	6
Ø head	5.7 mm	7 mm	7.5 mm	8.5 mm	9.5 mm	11.5 mm
Drive	TX 10	TX 20	TX 20	TX 20	TX 20	TX 30

INTERNAL/Approved (2019-03-22 11:39:58)

Wood, chipboard and drywall screws

1

TX, Full Threaded, Countersunk Head, Zinc Coated			
Dimensions	Drive	PU Piece	Article No.
3 x 12 mm	TX 10	1000	086752
3 x 15 mm	TX 10	1000	086754
3 x 16 mm	TX 10	1000	086755
3 x 17 mm	TX 10	1000	086756
3 x 20 mm	TX 10	1000	086757
3 x 25 mm	TX 10	1000	086758
3 x 30 mm	TX 10	1000	086759
3 x 35 mm	TX 10	1000	086760
3 x 40 mm	TX 10	1000	086761
3 x 45 mm	TX 10	1000	086762
3.5 x 13 mm	TX 20	1000	086763
3.5 x 15 mm	TX 20	1000	086764
3.5 x 17 mm	TX 20	1000	086766
3.5 x 20 mm	TX 20	1000	086767
3.5 x 25 mm	TX 20	1000	086768
3.5 x 27 mm	TX 20	1000	365771
3.5 x 30 mm	TX 20	1000	086769
3.5 x 35 mm	TX 20	1000	086770
3.5 x 40 mm	TX 20	1000	086771
3.5 x 45 mm	TX 20	500	086772

TX, Full Threaded, Countersunk Head, Zinc Coated			
Dimensions	Drive	PU Piece	Article No.
3.5 x 50 mm	TX 20	500	086773
4 x 16 mm	TX 20	1000	086776
4 x 20 mm	TX 20	1000	086778
4 x 25 mm	TX 20	1000	086779
4 x 30 mm	TX 20	1000	086780
4 x 35 mm	TX 20	500	086781
4 x 40 mm	TX 20	500	086782
4 x 45 mm	TX 20	500	086783
4 x 50 mm	TX 20	500	086784
4 x 55 mm	TX 20	400	086785
4 x 60 mm	TX 20	400	086786
4 x 70 mm	TX 20	300	132285
4.5 x 17 mm	TX 20	1000	088770
4.5 x 20 mm	TX 20	1000	086788
4.5 x 25 mm	TX 20	1000	086789
4.5 x 30 mm	TX 20	500	086790
4.5 x 35 mm	TX 20	500	086791
4.5 x 40 mm	TX 20	500	086792
4.5 x 45 mm	TX 20	500	086793
4.5 x 50 mm	TX 20	400	086794

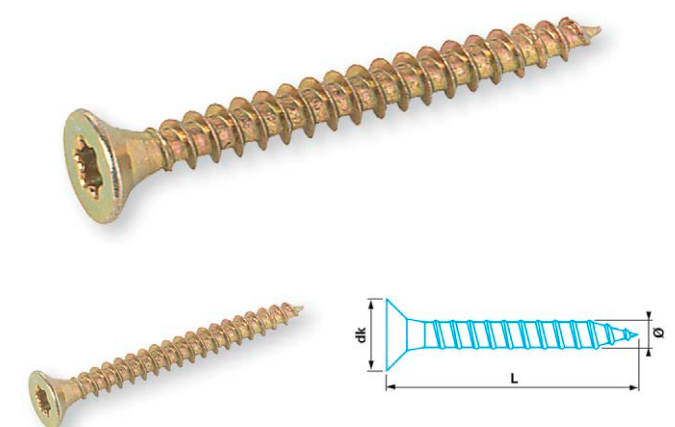
TX, Full Threaded, Countersunk Head, Zinc Coated			
Dimensions	Drive	PU Piece	Article No.
4.5 x 60 mm	TX 20	300	086796
5 x 20 mm	TX 20	500	086798
5 x 25 mm	TX 20	500	086799
5 x 30 mm	TX 20	500	086800
5 x 35 mm	TX 20	500	086801
5 x 40 mm	TX 20	500	086802
5 x 45 mm	TX 20	400	086803
5 x 50 mm	TX 20	300	086804
5 x 60 mm	TX 20	200	086806
5 x 70 mm	TX 20	200	086807
5 x 80 mm	TX 20	200	086808
5 x 90 mm	TX 20	150	086809
5 x 100 mm	TX 20	150	086810
6 x 30 mm	TX 30	200	087684
6 x 40 mm	TX 30	200	086811
6 x 50 mm	TX 30	200	086812
6 x 60 mm	TX 30	200	086813
6 x 70 mm	TX 30	200	086814

AGR: 00.404

TX, Full Threaded, Countersunk Head, Yellow Zinc Coated

Application Area

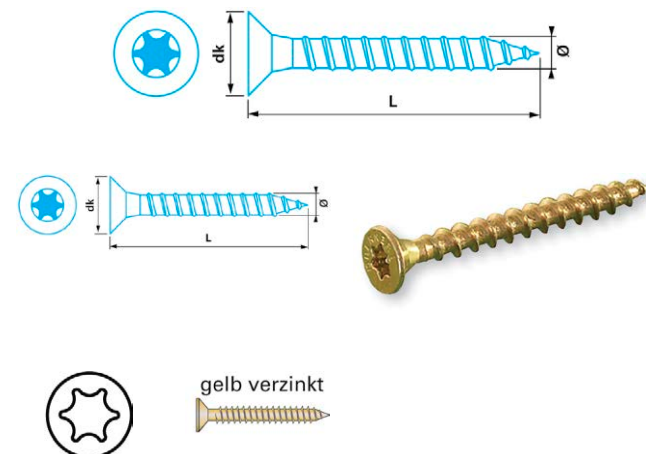
- Screwing of hard and soft wood, chipboard, plywood boards, OSB boards and plastics
- In conjunction with nylon dowels ideal for attachments in masonry and concrete subsoil



INTERNAL/Approved (2019-03-22 11:40:41)

Wood, chipboard and drywall screws

1



Thread	3	3.5	4	4.5	5	6	6
Ø head	5.7 mm	7 mm	7.5 mm	8.5 mm	9.5 mm	11.5 mm	12 mm
Drive	TX 10	TX 20	TX 20	TX 20	TX 20	TX 30	TX 25

TX, Full Threaded, Countersunk Head, Yellow Zinc Coated

Dimensions	Drive	PU Piece	Article No.
3 x 12 mm	TX 10	1000	086816
3 x 15 mm	TX 10	1000	086818
3 x 17 mm	TX 10	1000	086820
3 x 20 mm	TX 10	1000	086821
3 x 25 mm	TX 10	1000	086822
3 x 30 mm	TX 10	1000	086823
3 x 35 mm	TX 10	1000	086824
3 x 40 mm	TX 10	1000	086825
3.5 x 15 mm	TX 20	1000	086828
3.5 x 17 mm	TX 20	1000	086830
3.5 x 20 mm	TX 20	1000	086831
3.5 x 25 mm	TX 20	1000	086832
3.5 x 30 mm	TX 20	1000	086833
3.5 x 35 mm	TX 20	1000	086834

TX, Full Threaded, Countersunk Head, Yellow Zinc Coated

Dimensions	Drive	PU Piece	Article No.
3.5 x 40 mm	TX 20	1000	086835
4 x 16 mm	TX 20	1000	086840
4 x 20 mm	TX 20	1000	086842
4 x 25 mm	TX 20	1000	086843
4 x 30 mm	TX 20	1000	086844
4 x 35 mm	TX 20	500	086845
4 x 40 mm	TX 20	500	086846
4 x 50 mm	TX 20	500	086848
4.5 x 30 mm	TX 20	500	086853
4.5 x 35 mm	TX 20	500	086854
4.5 x 40 mm	TX 20	500	086855
4.5 x 45 mm	TX 20	500	086856
4.5 x 50 mm	TX 20	400	086857
4.5 x 60 mm	TX 20	300	086859

TX, Full Threaded, Countersunk Head, Yellow Zinc Coated

Dimensions	Drive	PU Piece	Article No.
5 x 20 mm	TX 20	500	086860
5 x 25 mm	TX 20	500	086861
5 x 30 mm	TX 20	500	086862
5 x 35 mm	TX 20	500	086863
5 x 40 mm	TX 20	500	086864
5 x 50 mm	TX 20	300	086866
6 x 40 mm	TX 30	200	086870
6 x 50 mm	TX 30	200	086871
6 x 60 mm	TX 30	200	086872
6 x 70 mm	TX 30	200	086873
6 x 80 mm	TX 25	200	152534

AGR: 00.405

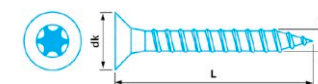
TX, Full Threaded, Countersunk Head, Stainless A2

Application Area

- Screwing of hard and soft wood, chipboard, plywood boards, OSB boards and plastics
In conjunction with nylon dowels ideal for attachments in masonry and concrete subsoil

Processing Information

- Galvanized screws in outdoor areas and in damp areas are not permanently corrosion resistant
Alternatively: chipboard screws stainless steel A2
For screws without milling ribs on the countersunk head, countersinking with a 90 ° countersink is recommended
DIN 1052 points out that wood from a total density of 500 kg / m³ must be pre-drilled along its entire length with 0.6 - 0.8 x screw diameter



Thread	3	3.5	4	4.5	5	6
Ø head	6 mm	7 mm	8 mm	9 mm	10 mm	12 mm
Drive	TX 10	TX 10	TX 20	TX 20	TX 25	TX 25

TX, Full Threaded, Countersunk Head, Stainless A2			
Dimensions	Drive	PU Piece	Article No.
3 x 16 mm	TX 10	500	149656
3 x 20 mm	TX 10	500	149657
3 x 25 mm	TX 10	500	149658
3 x 30 mm	TX 10	500	145077
3.5 x 16 mm	TX 10	500	145078
3.5 x 20 mm	TX 10	500	145079
3.5 x 25 mm	TX 10	500	145080
3.5 x 30 mm	TX 10	500	145081
3.5 x 35 mm	TX 10	400	149668
4 x 20 mm	TX 20	400	149673
4 x 25 mm	TX 20	400	149674
4 x 30 mm	TX 20	400	149676
4 x 35 mm	TX 20	300	149677

TX, Full Threaded, Countersunk Head, Stainless A2			
Dimensions	Drive	PU Piece	Article No.
4 x 40 mm	TX 20	300	149678
4 x 45 mm	TX 20	300	149679
4 x 50 mm	TX 20	300	149680
4.5 x 25 mm	TX 20	300	149689
4.5 x 30 mm	TX 20	300	149690
4.5 x 35 mm	TX 20	300	149692
4.5 x 40 mm	TX 20	300	149693
4.5 x 45 mm	TX 20	200	149694
4.5 x 50 mm	TX 20	200	149695
4.5 x 60 mm	TX 20	200	149696
4.5 x 70 mm	TX 20	250	149697
5 x 30 mm	TX 25	300	149700
5 x 35 mm	TX 25	300	149701

TX, Full Threaded, Countersunk Head, Stainless A2			
Dimensions	Drive	PU Piece	Article No.
5 x 40 mm	TX 25	200	149702
5 x 50 mm	TX 25	200	149704
5 x 60 mm	TX 25	200	149707
5 x 70 mm	TX 25	200	149708
5 x 80 mm	TX 25	200	149709
6 x 40 mm	TX 25	200	149714
6 x 50 mm	TX 25	200	149715
6 x 60 mm	TX 25	150	149716
6 x 70 mm	TX 25	200	149717
6 x 80 mm	TX 25	100	149718
6 x 100 mm	TX 25	100	149720

AGR: 00.407

1

SPS, PER, partial threads, countersunk head, yellow zinc plated

Application Area

- Screwing of hard and soft wood, chipboard, plywood boards, OSB boards and plastics
In conjunction with nylon dowels ideal for attachments in masonry and concrete subsoil

Processing Information

- Galvanized screws in outdoor areas and in damp areas are not permanently corrosion resistant
Alternatively: chipboard screws stainless steel A2
For screws without milling ribs on the countersunk head, countersinking with a 90 ° countersink is recommended
DIN 1052 points out that wood from a bulk density of 500 kg / m³ must be pre-drilled along its entire length with 0.6 - 0.8 x screw diameter



Thread	3	3.5	4	4.5	5
Ø head	5.7 mm	7 mm	7.5 mm	8.5 mm	9.5 mm
Drive	PZ 1	PZ 2	PZ 2	PZ 2	PZ 2
6					
11.5 mm					
PZ 3					

SPS, PER, partial threads, countersunk head, yellow zinc plated			
Dimensions	Drive	PU Piece	Article No.
3 x 35 mm	PZ 1	1000	086948
3 x 40 mm	PZ 1	1000	086949
3.5 x 35 mm	PZ 2	1000	086951
3.5 x 40 mm	PZ 2	1000	086952
3.5 x 45 mm	PZ 2	500	086953
3.5 x 50 mm	PZ 2	500	086954
4 x 35 mm	PZ 2	500	086956
4 x 40 mm	PZ 2	500	086957

SPS, PER, partial threads, countersunk head, yellow zinc plated			
Dimensions	Drive	PU Piece	Article No.
4 x 45 mm	PZ 2	500	086958
4 x 50 mm	PZ 2	500	086959
4 x 55 mm	PZ 2	400	086960
4 x 60 mm	PZ 2	400	086961
4 x 70 mm	PZ 2	300	086962
4 x 80 mm	PZ 2	200	086963
4.5 x 40 mm	PZ 2	500	086966
4.5 x 45 mm	PZ 2	500	086967

SPS, PER, partial threads, countersunk head, yellow zinc plated			
Dimensions	Drive	PU Piece	Article No.
4.5 x 50 mm	PZ 2	400	086968
4.5 x 55 mm	PZ 2	400	086969
4.5 x 60 mm	PZ 2	300	086970
4.5 x 70 mm	PZ 2	200	086971
4.5 x 80 mm	PZ 2	200	086972
5 x 40 mm	PZ 2	500	086976
5 x 45 mm	PZ 2	400	086977
5 x 50 mm	PZ 2	300	086978

INTERNAL/Approved (2019-03-22 11:42:38)

Wood, chipboard and drywall screws

1

SPS, PER, partial threads, countersunk head, yellow zinc plated

Dimensions	Drive	PU Piece	Article No.
5 x 55 mm	PZ 2	300	086979
5 x 60 mm	PZ 2	200	086980
5 x 70 mm	PZ 2	200	086981
5 x 80 mm	PZ 2	200	086982
5 x 90 mm	PZ 2	150	086983
5 x 100 mm	PZ 2	150	086984
5 x 110 mm	PZ 2	100	086985
5 x 120 mm	PZ 2	100	086986

SPS, PER, partial threads, countersunk head, yellow zinc plated

Dimensions	Drive	PU Piece	Article No.
6 x 50 mm	PZ 3	200	086987
6 x 60 mm	PZ 3	200	086988
6 x 70 mm	PZ 3	200	086989
6 x 80 mm	PZ 3	100	086990
6 x 90 mm	PZ 3	100	086991
6 x 100 mm	PZ 3	100	086992
6 x 110 mm	PZ 3	100	086993
6 x 120 mm	PZ 3	100	086994

SPS, PER, partial threads, countersunk head, yellow zinc plated

Dimensions	Drive	PU Piece	Article No.
6 x 130 mm	PZ 3	100	086995
6 x 140 mm	PZ 3	100	086996
6 x 150 mm	PZ 3	100	086997
6 x 160 mm	PZ 3	100	086998
6 x 180 mm	PZ 3	100	086999
6 x 200 mm	PZ 3	100	087000

AGR: 00.411

PLC, PER, Partial threads, countersunk headz- inc plated



INTERNAL/Approved (2019-03-22 11:42:57)



Thread	5
Ø head	9.5 mm
Drive	PZ 2

PLC, PER, Partial threads, countersunk headzinc plated			
Dimensions	Drive	PU Piece	Article No.
5 x 90 mm	PZ 2	150	086915

AGR: 00.410

SPS, TX, partial thread, flat head, galvanized

Application Area

- Screwing of hard and soft wood, chipboard, plywood boards, OSB boards and plastics
In conjunction with nylon dowels ideal for attachments in masonry and concrete subsoil

Processing Information

- Galvanized screws in outdoor areas and in damp areas are not permanently corrosion resistant
Alternatively: chipboard screws stainless steel A2
For screws without milling ribs on the countersunk head, countersinking with a 90 ° countersink is recommended
DIN 1052 points out that wood from a bulk density of 500 kg / m³ must be pre-drilled along its entire length with 0.6 - 0.8 x screw diameter



Thread	3.5	4	4.5	5	6
Ø head	7 mm	7.5 mm	8.5 mm	9.5 mm	11.5 mm
Drive	TX 20	TX 20	TX 20	TX 20	TX 30

Wood, chipboard and drywall screws

1

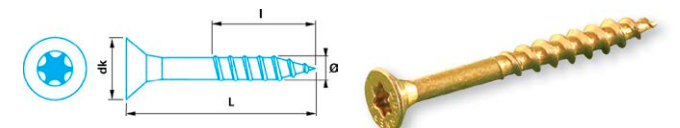
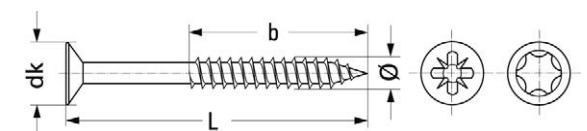
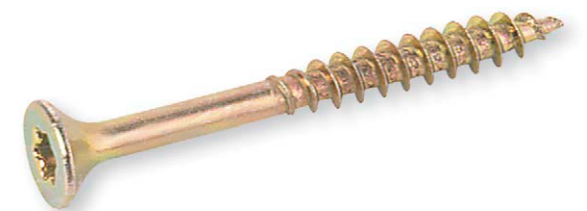
SPS, TX, partial thread, flat head, galvanized			
Dimensions	Thread length	PU Piece	Article No.
3.5 x 35 mm	20 mm	1000	087030
3.5 x 40 mm	23 mm	1000	087031
3.5 x 45 mm	25 mm	500	087032
3.5 x 50 mm	30 mm	500	087033
4 x 35 mm	20 mm	500	087034
4 x 40 mm	23 mm	500	087035
4 x 45 mm	25 mm	500	087036
4 x 50 mm	30 mm	500	087037
4 x 55 mm	30 mm	400	087038
4 x 60 mm	39 mm	400	087039
4 x 70 mm	44 mm	300	087040
4 x 80 mm	44 mm	200	087041
4 x 90 mm	54 mm	200	087042
4 x 100 mm	54 mm	150	087043
4.5 x 35 mm	21 mm	500	087691

SPS, TX, partial thread, flat head, galvanized			
Dimensions	Thread length	PU Piece	Article No.
4.5 x 40 mm	23 mm	500	087044
4.5 x 45 mm	25 mm	500	087045
4.5 x 50 mm	30 mm	400	087046
4.5 x 60 mm	39 mm	300	087047
4.5 x 70 mm	44 mm	200	087048
4.5 x 80 mm	44 mm	200	087049
4.5 x 100 mm	54 mm	150	087050
5 x 40 mm	23 mm	500	087052
5 x 45 mm	25 mm	400	087053
5 x 50 mm	30 mm	300	087054
5 x 60 mm	39 mm	200	087055
5 x 70 mm	44 mm	200	087056
5 x 80 mm	44 mm	200	087057
5 x 90 mm	54 mm	150	087058
5 x 100 mm	54 mm	150	087059

SPS, TX, partial thread, flat head, galvanized			
Dimensions	Thread length	PU Piece	Article No.
5 x 120 mm	54 mm	100	087060
6 x 60 mm	39 mm	200	087061
6 x 70 mm	44 mm	200	087062
6 x 80 mm	54 mm	100	087063
6 x 90 mm	54 mm	100	087064
6 x 100 mm	54 mm	100	087065
6 x 110 mm	54 mm	100	087066
6 x 120 mm	54 mm	100	087067
6 x 130 mm	64 mm	100	087068
6 x 140 mm	64 mm	100	087069
6 x 150 mm	64 mm	100	087070
6 x 160 mm	64 mm	100	087071
6 x 180 mm	64 mm	100	087072
6 x 200 mm	64 mm	100	087073

AGR: 00.414

SPS, TX, Partial threads countersunk head, yellow zinc plated



INTERNAL/Approved (2019-03-22 11:43:50)



Thread	3	3.5	4	4.5	5
Ø head	5.7 mm	7 mm	7.5 mm	8.5 mm	9.5 mm
Drive	TX 10	TX 20	TX 20	TX 20	TX 20
6					
11.5 mm					
TX 30					

SPS, TX, Partial threads countersunk head, yellow zinc plated

Dimensions	Drive	PU Piece	Article No.
3 x 40 mm	TX 10	1000	087078
3 x 45 mm	TX 10	500	087079
3.5 x 35 mm	TX 20	1000	087080
3.5 x 40 mm	TX 20	1000	087081
3.5 x 45 mm	TX 20	500	087082
3.5 x 50 mm	TX 20	500	087083
4 x 35 mm	TX 20	500	087084
4 x 40 mm	TX 20	500	087085
4 x 45 mm	TX 20	500	087086
4 x 50 mm	TX 20	500	087087
4 x 55 mm	TX 20	400	087088
4 x 60 mm	TX 20	400	087089
4 x 70 mm	TX 20	300	087090
4 x 80 mm	TX 20	200	087091
4.5 x 30 mm	TX 20	500	087094
4.5 x 35 mm	TX 20	500	087095
4.5 x 40 mm	TX 20	500	087096

SPS, TX, Partial threads countersunk head, yellow zinc plated

Dimensions	Drive	PU Piece	Article No.
4.5 x 45 mm	TX 20	500	087097
4.5 x 50 mm	TX 20	400	087098
4.5 x 60 mm	TX 20	300	087099
4.5 x 70 mm	TX 20	200	087100
4.5 x 80 mm	TX 20	200	087101
5 x 40 mm	TX 20	500	087105
5 x 45 mm	TX 20	400	087106
5 x 50 mm	TX 20	300	087107
5 x 60 mm	TX 20	200	087108
5 x 70 mm	TX 20	200	087109
5 x 80 mm	TX 20	200	087110
5 x 90 mm	TX 20	150	087111
5 x 100 mm	TX 20	150	087112
5 x 110 mm	TX 20	100	087113
5 x 120 mm	TX 20	100	087114
6 x 60 mm	TX 30	200	087115
6 x 70 mm	TX 30	200	087116

SPS, TX, Partial threads countersunk head, yellow zinc plated

Dimensions	Drive	PU Piece	Article No.
6 x 80 mm	TX 30	100	087117
6 x 90 mm	TX 30	100	087118
6 x 100 mm	TX 30	100	087119
6 x 110 mm	TX 30	100	087120
6 x 120 mm	TX 30	100	087121
6 x 130 mm	TX 30	100	087122
6 x 140 mm	TX 30	100	087123
6 x 150 mm	TX 30	100	087124
6 x 160 mm	TX 30	100	087125
6 x 180 mm	TX 30	100	087126
6 x 200 mm	TX 30	100	087127
6 x 220 mm	TX 30	100	087128
6 x 240 mm	TX 30	100	087129
6 x 260 mm	TX 30	100	087130
6 x 300 mm	TX 30	100	148524

AGR: 00.415

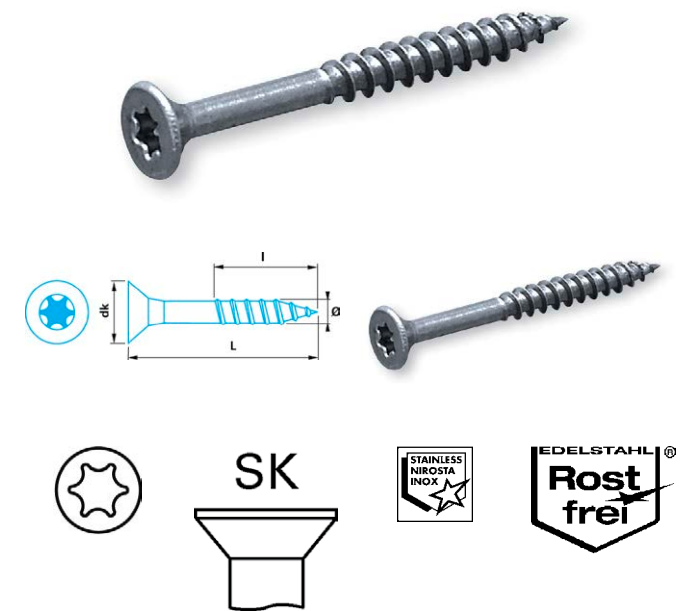
SPS TX, part threaded, countersunk, stainless steel A2

Application Area

- Screwing of hard and soft wood, chipboard, plywood boards, OSB boards and plastics
In conjunction with nylon dowels ideal for attachments in masonry and concrete subsoil

Processing Information

- Galvanized screws in outdoor areas and in damp areas are not permanently corrosion resistant
Alternatively: chipboard screws stainless steel A2
For screws without milling ribs on the countersunk head, countersinking with a 90 ° countersink is recommended
DIN 1052 points out that wood from a bulk density of 500 kg / m³ must be pre-drilled along its entire length with 0.6 - 0.8 x screw diameter



1

Thread	3.5	4.5	3	4	5	6
Ø head	7 mm	9 mm	6 mm	8 mm	10 mm	12 mm
Drive	TX 10	TX 20	TX 10	TX 20	TX 25	TX 25

SPS TX, part threaded, countersunk, stainless steel A2			
Dimensions	Thread length	PU Piece	Article No.
3 x 30 mm	18 mm*	500	115493
3.5 x 25 mm	18 mm	500	115504
3.5 x 30 mm	18 mm	500	115505
3.5 x 35 mm	24 mm	400	115506
3.5 x 40 mm	24 mm	400	115875
4 x 30 mm	18 mm	500	115879
4 x 35 mm	24 mm	300	115880
4 x 40 mm	24 mm	300	115881
4 x 45 mm	30 mm	300	115882
4 x 50 mm	30 mm	300	115883
4 x 60 mm	35 mm	200	115884
4 x 70 mm	44 mm	200	171284
4.5 x 25 mm	18 mm	500	115885

SPS TX, part threaded, countersunk, stainless steel A2			
Dimensions	Thread length	PU Piece	Article No.
4.5 x 35 mm	24 mm	500	115888
4.5 x 40 mm	24 mm	500	115889
4.5 x 45 mm	30 mm	200	115890
4.5 x 50 mm	30 mm	200	115891
4.5 x 60 mm	35 mm	200	115892
4.5 x 70 mm	42 mm	150	115893
5 x 30 mm	18 mm	500	115896
5 x 35 mm	24 mm	500	115897
5 x 40 mm	24 mm	200	115898
5 x 45 mm	30 mm	200	115899
5 x 50 mm	30 mm	200	115900
5 x 60 mm	35 mm	200	115901
5 x 70 mm	42 mm	150	115902

SPS TX, part threaded, countersunk, stainless steel A2			
Dimensions	Thread length	PU Piece	Article No.
5 x 80 mm	50 mm	150	115903
5 x 90 mm	60 mm	150	115904
5 x 100 mm	60 mm	150	115905
6 x 40 mm	24 mm	100	115906
6 x 50 mm	30 mm	100	115909
6 x 60 mm	35 mm	150	115910
6 x 70 mm	42 mm	100	115911
6 x 80 mm	50 mm	100	115912
6 x 90 mm	60 mm	100	115913
6 x 100 mm	60 mm	100	115914
6 x 120 mm	60 mm	100	115915
6 x 140 mm	64 mm	100	171285
6 x 160 mm	64 mm	100	171287

INTERNAL/Approved (2019-03-22 11:45:20)

Chipboard Screw, Pozidriv, Full-threaded, Pan Head, Zinc Coated

- Pan Head Lid head for good visibility with visible screw connections
- Flat contact surface on the lens head prevents the damage of soft materials, e.g. Plastics

Application Area

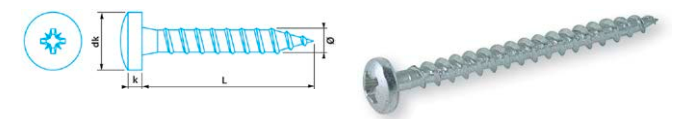
- Screwing of hard and soft wood, chipboard, plywood boards, OSB boards and plastics
In conjunction with nylon anchors ideal for fixing in masonry and concrete subsoil, e.g. Cable duct installation

Processing Information

- Galvanized screws in outdoor areas and in damp areas are not permanently corrosion resistant
DIN 1052 points out that wood from a total density of 500 kg / m³ must be pre-drilled along its entire length with 0.6 - 0.8 x screw diameter

Hints

- For Ø 4.0 mm and 4.5 mm from length 70 mm no full thread, but partial thread
With Ø 5,0 mm and 6,0 mm from length 80 mm no full thread, but partial thread



Thread	4	4.5	5
Ø head	8 mm	9 mm	10 mm
Drive	PZ 2	PZ 2	PZ 2

Chipboard Screw, Pozidriv, Full-threaded, Pan Head, Zinc Coated			
Dimensions	Drive	PU Piece	Article No.
4 x 17 mm	PZ 2	1000	085234
4 x 20 mm	PZ 2	1000	085236
4 x 25 mm	PZ 2	1000	085239
4 x 30 mm	PZ 2	1000	085241
4 x 35 mm	PZ 2	500	085243
4 x 40 mm	PZ 2	500	085246

Chipboard Screw, Pozidriv, Full-threaded, Pan Head, Zinc Coated			
Dimensions	Drive	PU Piece	Article No.
4 x 50 mm	PZ 2	500	085251
4 x 60 mm	PZ 2	400	085254
4 x 70 mm	PZ 2	300	085411
4.5 x 30 mm	PZ 2	500	085418
4.5 x 40 mm	PZ 2	500	085420
4.5 x 50 mm	PZ 2	400	085422

Chipboard Screw, Pozidriv, Full-threaded, Pan Head, Zinc Coated			
Dimensions	Drive	PU Piece	Article No.
5 x 17 mm	PZ 2	500	085426
5 x 20 mm	PZ 2	500	085427
5 x 25 mm	PZ 2	500	085428
5 x 30 mm	PZ 2	500	085429
5 x 35 mm	PZ 2	500	085430
5 x 40 mm	PZ 2	500	085431

INTERNAL/Approved (2019-03-22 11:45:46)

1

Chipboard Screw, Pozidriv, Full-threaded, Pan Head, Zinc Coated

Dimensions	Drive	PU Piece	Article No.
5 x 50 mm	PZ 2	300	085433
5 x 60 mm	PZ 2	200	085434

Chipboard Screw, Pozidriv, Full-threaded, Pan Head, Zinc Coated

Dimensions	Drive	PU Piece	Article No.
5 x 70 mm	PZ 2	200	085435

AGR: 00.420

Chipboard Screw, TX, Full-threaded, Pan Head, Zinc Coated

- Pan Head Lid head for good visibility with visible screw connections
- Flat contact surface on the lens head prevents the damage of soft materials, e.g. Plastics

Application Area

- Screwing of hard and soft wood, chipboard, plywood boards, OSB boards and plastics
In conjunction with nylon anchors ideal for fixing in masonry and concrete subsoil, e.g. Cable duct installation

Processing Information

- Galvanized screws in outdoor areas and in damp areas are not permanently corrosion resistant
DIN 1052 points out that wood from a total density of 500 kg / m³ must be pre-drilled along its entire length with 0.6 - 0.8 x screw diameter

Hints

- For Ø 4.0 mm and 4.5 mm from length 70 mm no full thread, but partial thread
With Ø 5,0 mm and 6,0 mm from length 80 mm no full thread, but partial thread

Thread	3	3.5	4	4.5	5	5	6
Ø head	6 mm	7 mm	8 mm	9 mm	9 mm	9 mm	12 mm
Drive	TX 10	TX 20	TX 20	TX 20	TX 20	TX 25	TX 30



Wood, chipboard and drywall screws

Chipboard Screw, TX, Full-threaded, Pan Head, Zinc Coated			
Dimensions	Drive	PU Piece	Article No.
3 x 17 mm	TX 10	1000	085459
3 x 20 mm	TX 10	1000	085460
3 x 25 mm	TX 10	1000	085461
3 x 30 mm	TX 10	1000	085462
3.5 x 15 mm	TX 20	1000	085464
3.5 x 17 mm	TX 20	1000	085465
3.5 x 20 mm	TX 20	1000	085466
3.5 x 25 mm	TX 20	1000	085467
3.5 x 30 mm	TX 20	1000	085468
3.5 x 35 mm	TX 20	1000	085469
3.5 x 40 mm	TX 20	1000	085470
4 x 15 mm	TX 20	1000	085471
4 x 17 mm	TX 20	1000	085473
4 x 20 mm	TX 20	1000	085474
4 x 25 mm	TX 20	1000	085475
4 x 30 mm	TX 20	1000	085476
4 x 35 mm	TX 20	500	085477
4 x 40 mm	TX 20	500	085478
4 x 45 mm	TX 20	500	085479

Chipboard Screw, TX, Full-threaded, Pan Head, Zinc Coated			
Dimensions	Drive	PU Piece	Article No.
4 x 50 mm	TX 20	500	085480
4 x 60 mm	TX 20	400	085481
4 x 70 mm	TX 20	300	085482
4 x 80 mm	TX 20	200	085483
4.5 x 15 mm	TX 20	1000	085485
4.5 x 17 mm	TX 20	1000	085486
4.5 x 20 mm	TX 20	1000	085487
4.5 x 25 mm	TX 20	1000	085488
4.5 x 30 mm	TX 20	500	085489
4.5 x 35 mm	TX 20	500	085490
4.5 x 40 mm	TX 20	500	085491
4.5 x 45 mm	TX 20	500	085492
4.5 x 50 mm	TX 20	400	085493
4.5 x 60 mm	TX 20	300	085494
5 x 16 mm	TX 25	500	085845
5 x 17 mm	TX 20	500	085495
5 x 20 mm	TX 20	500	085496
5 x 25 mm	TX 20	500	085497
5 x 30 mm	TX 20	500	085498

Chipboard Screw, TX, Full-threaded, Pan Head, Zinc Coated			
Dimensions	Drive	PU Piece	Article No.
5 x 35 mm	TX 20	500	085499
5 x 40 mm	TX 20	500	085500
5 x 45 mm	TX 20	400	085501
5 x 50 mm	TX 20	300	085502
5 x 60 mm	TX 20	200	085503
5 x 70 mm	TX 20	200	085504
5 x 80 mm	TX 20	200	085505
6 x 30 mm	TX 30	200	085506
6 x 40 mm	TX 30	200	085512
6 x 50 mm	TX 30	200	085513
6 x 60 mm	TX 30	200	085514
6 x 70 mm	TX 30	200	085515
6 x 80 mm	TX 30	100	085516
6 x 90 mm	TX 30	100	085517
6 x 100 mm	TX 30	100	085518
6 x 120 mm	TX 30	100	085520

AGR: 00.422

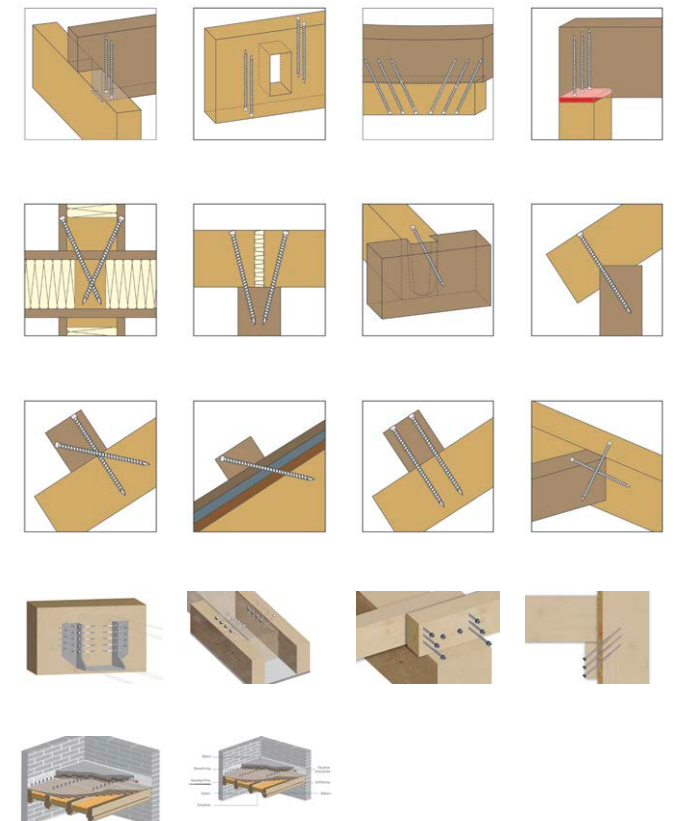
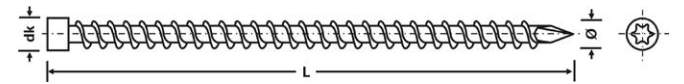
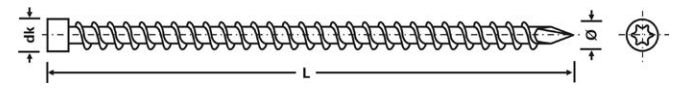
1

EASYfast+ Full Thread Screw for wood constructions

- Drillbit for small edge distances
- Male ellbow of 30-90° possible
- High load capacity due to symmetrical full threads
- Plastic coating allows an easy screw and reduces the screw-in torque
- 0° screw connection (fibre orientation) is according to ETA allowed. Cylinder head: reduced splitting effect and deep sinking of the screw into the wood
- For KERTO/LVL and plywood board approved
- High strength steel for high breaking torques
- European technical approval ETA-12/0197
- ETA-12/0917

Application Area

- Berner Easy Fast+ is universally used in new construction and in renovation. With the Berner Easy Fast, frictional connections, lateral pressure and lateral gas pass reinforcements are created, useable in timber engineering, carpentry trade, wood house and element construction
- Main and secondary beam connections
- Rafter and roof beam connections
- Swallowtail connections
- Connections in element and wood construction
- Bearing reinforcement
- Reinforcement and doubling at wooden beams
- Reinforcement of notches/openings
- Timber head renovation
- Purlins



- In addition to the applications described above, the Easy Fast+ can be used for ceiling renovation with particularly large spans or beams distances or very high payloads can be used in a wood-concrete composite. Partly screwed Easy Fast+ full thread screws increase the carrying capacity and serve as shear connectors, the screws take the shear flow between wooden beam and concrete slab. Therefore, the time-consuming assembly of shear connectors is not necessary. The Easy Fast+ has its own approval ETA-12/0196 for this procedure. Project-related calculations must be performed by a structural engineer

Processing Information

- Projects should only be calculated by authorized persons. Static recommendations can be checked with the Berner calculation software.

Hints

- Calculation software: <http://shop.berner.eu/at-de/Bemessungssoftware>

Thread	8
Ø head	10 mm
Drive	TX 40

EASYfast+ Full Thread Screw for wood constructions			
Dimensions	Drive	PU Piece	Article No.
8 x 160 mm	TX 40	75	188948
8 x 200 mm	TX 40	75	188949
8 x 220 mm	TX 40	75	188950

EASYfast+ Full Thread Screw for wood constructions			
Dimensions	Drive	PU Piece	Article No.
8 x 240 mm	TX 40	75	188951
8 x 300 mm	TX 40	75	188952
8 x 330 mm	TX 40	75	188953

EASYfast+ Full Thread Screw for wood constructions			
Dimensions	Drive	PU Piece	Article No.
8 x 380 mm	TX 40	75	188954
8 x 430 mm	TX 40	75	188955

AGR: 00.436

INTERNAL/Approved (2019-03-22 11:46:55)

1

Chipboard Screw, Pozi Driv with Head Boreholing

- Head bore for the subsequent application of color-matched cover caps in the visible area

Application Area

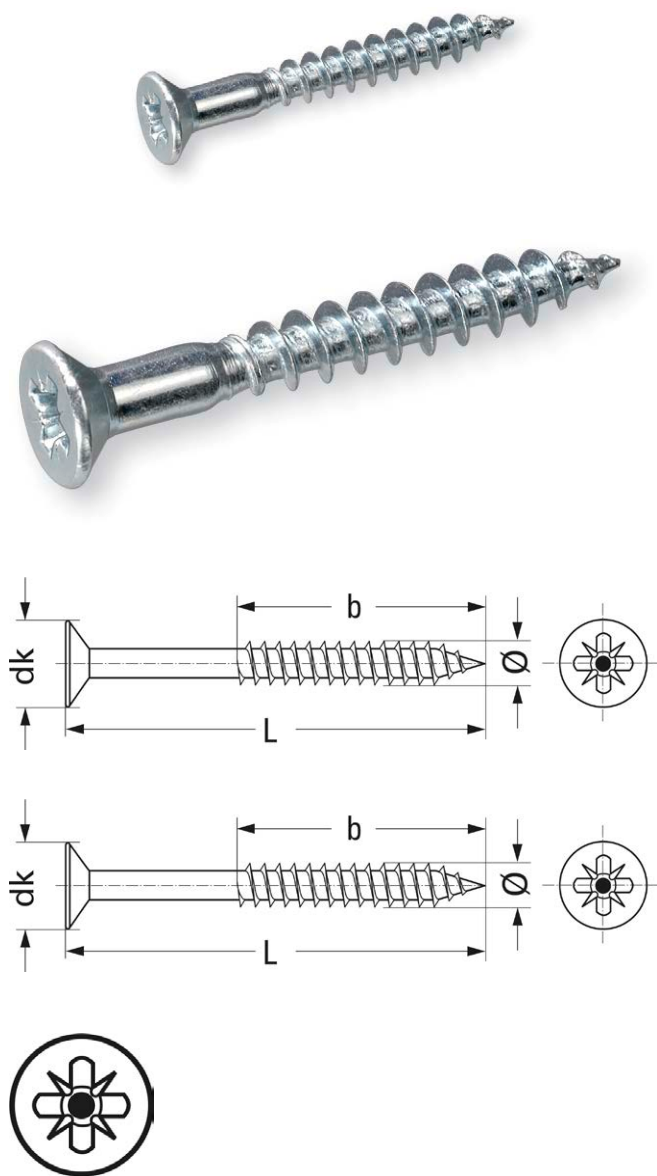
- Screw connection of hard and soft wood, plastics, kitchen work-tops and furniture

Characteristics

- Zinc coated Pozidriv

Processing Information

- Galvanized screws in outdoors area and in damp rooms are not permanently resistant to corrosion



Title	Threaded version, nominal Ø	Length total (mm)	Thread length	PU Piece	Article No.
Chipboard Screw	4.5 mm	30 mm	20 mm	500	241938
Chipboard Screw	4.5 mm	35 mm	21 mm	500	241946
Chipboard Screw	4.5 mm	40 mm	23 mm	500	241954
Chipboard Screw	4.5 mm	50 mm	30 mm	400	241970
Chipboard Screw	4.5 mm	60 mm	39 mm	500	820910
Chipboard Screw	4.5 mm	70 mm	44 mm	200	820927

AGR: 00.410

Chipboard Screw Raised Countersunk Head PZ brassed



1

Thread	3	3.5	4	4.5
Ø head	6 mm	7 mm	8 mm	9 mm
Drive	PZ 1	PZ 2	PZ 2	PZ 2

Chipboard Screw Raised Countersunk Head PZ brassed			
Dimensions	Drive	PU Piece	Article No.
3 x 20 mm	PZ 1	1000	858036
3 x 25 mm	PZ 1	1000	858043
3 x 30 mm	PZ 1	1000	858050
3.5 x 20 mm	PZ 2	1000	858098

Chipboard Screw Raised Countersunk Head PZ brassed			
Dimensions	Drive	PU Piece	Article No.
3.5 x 25 mm	PZ 2	1000	858104
3.5 x 30 mm	PZ 2	1000	858111
3.5 x 35 mm	PZ 2	1000	512338
4 x 40 mm	PZ 2	500	858159

Chipboard Screw Raised Countersunk Head PZ brassed			
Dimensions	Drive	PU Piece	Article No.
4.5 x 50 mm	PZ 2	500	097467
4.5 x 60 mm	PZ 2	400	097466

AGR: 00.456

1 Chipboard Screw Raised Countersunk Head PZD nickel plated



Thread	3	3.5	4
Ø head	6 mm	7 mm	8 mm
Drive	PZ 1	PZ 2	PZ 2

Chipboard Screw Raised Countersunk Head PZD nickel plated			
Dimensions	Drive	PU Piece	Article No.
3 x 20 mm	PZ 1	1000	870106
3 x 25 mm	PZ 1	1000	870113
3 x 30 mm	PZ 1	1000	870137
3 x 35 mm	PZ 1	1000	870144

Chipboard Screw Raised Countersunk Head PZD nickel plated			
Dimensions	Drive	PU Piece	Article No.
3.5 x 20 mm	PZ 2	1000	726532
3.5 x 25 mm	PZ 2	1000	726540
3.5 x 30 mm	PZ 2	1000	858074
3.5 x 35 mm	PZ 2	1000	858203

Chipboard Screw Raised Countersunk Head PZD nickel plated			
Dimensions	Drive	PU Piece	Article No.
4 x 40 mm	PZ 2	500	059552
4 x 50 mm	PZ 2	500	059551

AGR: 00.455

Chipboard Screw Raised Countersunk Head PZD black bronzed

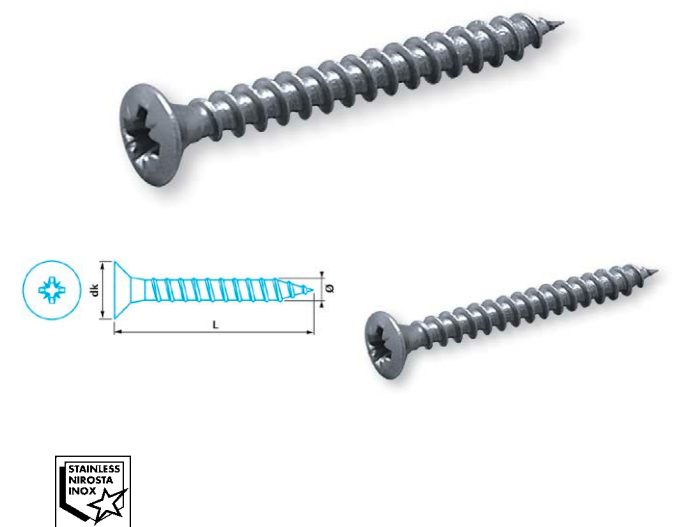


1

Title	Dimension	Drive	Ø head	PU Piece	Article No.
Chipboard Screw	3 x 20 mm	PZ 1	6 mm	1000	822372
Chipboard Screw	3 x 25 mm	PZ 1	6 mm	1000	822396
Chipboard Screw	3 x 30 mm	PZ 1	6 mm	1000	822389
Chipboard Screw	3 x 35 mm	PZ 1	6 mm	1000	822402
Chipboard Screw	3.5 x 20 mm	PZ 2	7 mm	1000	263770
Chipboard Screw	3.5 x 25 mm	PZ 2	7 mm	1000	263788
Chipboard Screw	3.5 x 30 mm	PZ 2	7 mm	1000	263796
Chipboard Screw	3.5 x 35 mm	PZ 2	7 mm	1000	263800
Chipboard Screw	3.5 x 40 mm	PZ 2	7 mm	1000	822426

AGR: 00.454

Chipboard Screw Raised Countersunk Head PZ stainless steel



Thread	3	3.5	4
Ø head	6 mm	7 mm	8 mm
Drive	PZ 1	PZ 2	PZ 2

INTERNAL/Approved (2019-03-22 11:47:29)

Wood, chipboard and drywall screws

1

Chipboard Screw Raised Countersunk Head PZ stainless steel

Dimensions	Drive	PU Piece	Article No.
3 x 25 mm	PZ 1	500	933551
3 x 30 mm	PZ 1	500	539287
3.5 x 20 mm	PZ 2	500	428817
3.5 x 25 mm	PZ 2	500	899954

Chipboard Screw Raised Countersunk Head PZ stainless steel

Dimensions	Drive	PU Piece	Article No.
3.5 x 30 mm	PZ 2	500	933554
3.5 x 35 mm	PZ 2	400	040476
3.5 x 40 mm	PZ 2	400	040477
4 x 40 mm	PZ 2	300	539325

Chipboard Screw Raised Countersunk Head PZ stainless steel

Dimensions	Drive	PU Piece	Article No.
4 x 50 mm	PZ 2	300	101946

AGR: 00.457

Cover Caps for Chipboard Screws

- Suitable for countersunk head screws with Pozidrive (PZD) drive

Application Area

- Colorful screw adjustment to the respective workpiece surface

Characteristics

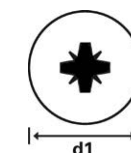
- Cover will be cut according to the principle of push-button applied on chipboard screws, this creates a decorative effect, prevent smears or damages to the drive

Processing Information

- The screw, which should be covered, should be screwed as vertically as possible into the material
- The cover cap is attached, in accordance with the push-button principle, onto the drive of the chipboard screws

Hints

- PZ 2 = Screw diameter: 4,0 - 5,0 mm
- PZ 3 = Screw diameter: 5,0 - 6,0 mm



Title	Drive	Ø Cover Cap	Color	PU Piece	Article No.
Cap PZD	PZ 2	11 mm	RAL 9005, Jet black	500	162078
Cap PZD	PZ 2	11 mm	RAL 9010, Purely white	500	162370
Cap PZD	PZ 2	11 mm	Beige	500	162108
Cap PZD	PZ 2	11 mm	Elm-light	500	162140
Cap PZD	PZ 2	11 mm	Grey	500	162116
Cap PZD	PZ 2	11 mm	Limba	500	162124
Cap PZD	PZ 2	11 mm	dark brown [1]	500	162086
Cap PZD	PZ 2	11 mm	teak	500	162094
CAP F. CPS 6 MM 17 WHITE	PZ 3	14 mm	RAL 9010, Purely white	100	198806

AGR: 00.900

Plastic caps for TX countersunk wood screws

1

- Fitting to countersunk screw with Torx (TX) Drive

Application Area

- Colorful screw adjustment to the respective workpiece surface

Characteristics

- Cover will be cut according to the principle of push-button applied on chipboard screws, this creates a decorative effect, prevent smears or damages to the drive

Processing Information

- To cover the screw it should be screwed in the material as vertical as possible.
- Cover will be cut according to the principle of push-button applied on chipboard screws.

Hints

- The white cover, TX 30, Ø 16,5 mm, art.no. 89652, is only suitable for thimb screws Betofix K11!



Title	Drive	Ø Cover Cap	Color	PU Piece	Article No.
CAP TX 20 12MM BEIGE	TX 20	12 mm	RAL 1001, Beige	100	169735
CAP TX 20 12MM CHERRY	TX 20	12 mm	Cherry tree	100	169737
CAP TX 20 12MM WHITE AFARA	TX 20	12 mm	Limba	100	169738
CAP TX 20 12MM ELM	TX 20	12 mm	Ruster	100	169739
CAP TX 20 12MM WHITE	TX 20	12 mm	White	100	169742
CAP TX 20 12MM BLACK	TX 20	12 mm	black	100	169740
CAP TX 20 12MM DARK BROWN	TX 20	12 mm	dark brown [1]	100	169736
CAP TX 20 12MM TEAK	TX 20	12 mm	teak	100	169741

INTERNAL/Approved (2019-03-22 11:47:59)

Wood, chipboard and drywall screws

Title	Drive	Ø Cover Cap	Color	PU Piece	Article No.
CAP TX 25 13.5MM BLACK	TX 25	13.5 mm	RAL 9011, Graphite black	100	760226
CAP TX 25 13.5MM WHITE	TX 25	13.5 mm	RAL 9010, Purely white	100	760145
CAP TX 25 13.5MM BEIGE	TX 25	13.5 mm	Beige	100	760153
CAP TX 25 13.5MM WHITE AFARA	TX 25	13.5 mm	Limba	100	889636
CAP TX 25 13.5MM ELM	TX 25	13.5 mm	Ruster	100	889628
CAP TX 25 13.5MM TEAK	TX 25	13.5 mm	teak	100	760196
CAP TX 25 13.5MM DARK BR.	TX 25	13.5 mm	RAL 8024, beige brown	100	760188
CAP TX 30 16.5MM WHITE	TX 30	16.5 mm	RAL 9010, Purely white	100	760358
CAP TX 30 16.5MM ELM	TX 30	16.5 mm	Ruster	100	889687
CAP TX 30 16.5MM R WHITE	TX 30	16.5 mm	White	100	889652
CAP TX 30 16.5MM BLACK	TX 30	16.5 mm	black	100	760340
CAP TX 30 16.5MM TEAK	TX 30	16.5 mm	teak	100	760277
CAP TX 30 16.5MM DARK BR.	TX 30	16.5 mm	RAL 8024, beige brown	100	760250
CAP TX 40 18.0MM ELM	TX 40	18 mm	Ruster	100	889695
CAP TX 40 18.0MM WHITE	TX 40	18 mm	White	100	760331

AGR: 00.900

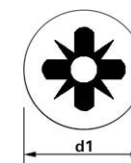
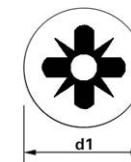
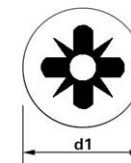
Protective Cap CPS/Pins

1

- Schutz des Schraubenantriebs vor Beschädigung und Verschmutzung

Application Area

- For chipboard screws with countersunk head



Title	Drive	Ø Cover Cap	Color	PU Piece	Article No.
CAP.CPS/PINS WH NO. 8	PZ 2	12 mm	White	100	826189

AGR: 00.901

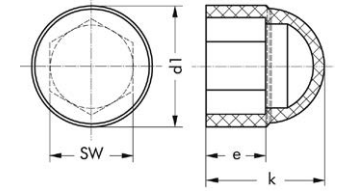
Protective Cap for Hexagonal Screw Heads plastic

Characteristics



Wood, chipboard and drywall screws

- Colors: black (RAL 9005), white (RAL 9010) and gray (RAL 7001)
- Material: Polyethylene (PE), UV-stabilized
- Operating temperature: -30 ° C to +55 ° C



1

Hints

- Caps meet the DIN wrench sizes (Caution: ISO wrench sizes for Ø M 10 and M 12 are different)

Title	Drive	For screw Ø	Height collar	Height	Ø Cover Cap	Color	PU Piece	Article No.
CAP FOR 6KT M12 SW19 WHITE	6KT 19	M 12	11 mm	21.2 mm	24 mm	RAL 9010, Purely white	50	186586

AGR: 00.905

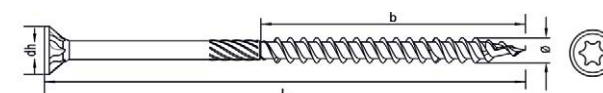
1

EASYfast WAVE Partial thread countersunk head milling pockets Ø 3,0-6,0 mm TX zinc plated

- Patented countersunk head with milling pockets
 - ▶ Combines the properties of a countersunk head and countersunk milling head and thereby reduces the demand of different head types
 - ▶ Milling pocket head works like a countersunk milling head in wood, but can also be used in fittings without damaging the coating
- Rib at the top
 - ▶ Reduces the spreading effect in wood, due to this, it is possible to screw-in near edges
- Strong thread flanks in the front part of the thread
 - ▶ Better wedging effect of the dowel. Due to this, higher pull-out-values can be achieved
- Double thread
 - ▶ Up to 50% faster screwing and thereby time saving. Increase of the productivity
- Shaft milling ribs and special sliding coating
 - ▶ Reduces driving torque especially when using long screws, due to this, screw-in-tools will be spared
- Recess/Drive
 - ▶ Very good bit fitting in combination with the Toko-Bit. Less wobbling and optimal power transmission from the bit to the drive due to matched and reduced tolerances.
- Drive-harmonization
 - ▶ Only one bit (TX20) for thread diameters of 3.5–5.0mm. For reasons of better power transmission, there exists a TX25 (diameter 5.0mm) for hardwood applications.
- European technical approval ETA-12/2080
 - ▶ Assures a maximum of safety for the EASYfast WAVE as a wood fastener

Application Area

- Wood connections in engineered timber constructions such as wood frame constructions, pre-fabricated buildings, balcony constructions, staircase constructions
- Countersunk head with milling pockets is suitable for applications in angles and fittings as well as for screwing directly in wood



blau verzinkt



Processing Information

- Galvanized screws are not permanent resistant to corrosion in outdoor and humid areas
- The screws can be used with and without pre-drilling in wooden elements. Pre-drilling is only allowed up to the core diameter
- It is recommended to pre-drill when using hardwood, to prevent break of screws and also to spare the tools

Thread	3.5	4	4.5	5	6
Drive	TX 20	TX 20	TX 20	TX 20	TX 30
Ø head	7 mm	7.5 mm	8.5 mm	9.5 mm	11.5 mm

Partial thread countersunk head milling pockets Ø 3,0-6,0 mm TX zinc plated

Dimensions	Drive	PU Piece	Article No.
3.5 x 20 mm	TX 20	1000	188568
3.5 x 25 mm	TX 20	1000	188569
3.5 x 30 mm	TX 20	1000	188570
3.5 x 35 mm	TX 20	1000	188571
3.5 x 40 mm	TX 20	1000	188572
3.5 x 45 mm	TX 20	500	188573
3.5 x 50 mm	TX 20	500	188574
4 x 20 mm	TX 20	1000	188575
4 x 25 mm	TX 20	1000	188576
4 x 30 mm	TX 20	1000	188577
4 x 35 mm	TX 20	500	188578
4 x 40 mm	TX 20	500	188579
4 x 45 mm	TX 20	500	188580
4 x 50 mm	TX 20	500	188581
4 x 55 mm	TX 20	400	188582
4 x 60 mm	TX 20	400	188583
4 x 70 mm	TX 20	300	188584
4 x 80 mm	TX 20	200	188585
4.5 x 25 mm	TX 20	1000	188586

Partial thread countersunk head milling pockets Ø 3,0-6,0 mm TX zinc plated

Dimensions	Drive	PU Piece	Article No.
4.5 x 30 mm	TX 20	500	188587
4.5 x 35 mm	TX 20	500	188588
4.5 x 40 mm	TX 20	500	188589
4.5 x 45 mm	TX 20	500	188591
4.5 x 50 mm	TX 20	400	188592
4.5 x 55 mm	TX 20	400	188593
4.5 x 60 mm	TX 20	300	188594
4.5 x 70 mm	TX 20	200	188595
4.5 x 80 mm	TX 20	200	188596
5 x 30 mm	TX 20	500	188597
5 x 35 mm	TX 20	500	188598
5 x 40 mm	TX 20	500	188599
5 x 45 mm	TX 20	400	188600
5 x 50 mm	TX 20	300	188601
5 x 60 mm	TX 20	200	188604
5 x 70 mm	TX 20	200	188605
5 x 80 mm	TX 20	200	188606
5 x 90 mm	TX 20	150	188607
5 x 100 mm	TX 20	150	188608

Partial thread countersunk head milling pockets Ø 3,0-6,0 mm TX zinc plated

Dimensions	Drive	PU Piece	Article No.
5 x 110 mm	TX 20	100	188609
5 x 120 mm	TX 20	100	188610
6 x 50 mm	TX 30	200	188626
6 x 60 mm	TX 30	200	188627
6 x 70 mm	TX 30	200	188628
6 x 80 mm	TX 30	100	188629
6 x 90 mm	TX 30	100	188630
6 x 100 mm	TX 30	100	188631
6 x 110 mm	TX 30	100	188632
6 x 120 mm	TX 30	100	188633
6 x 130 mm	TX 30	100	188634
6 x 140 mm	TX 30	100	188635
6 x 150 mm	TX 30	100	188636
6 x 160 mm	TX 30	100	188637
6 x 180 mm	TX 30	100	188638
6 x 200 mm	TX 30	100	188639
6 x 220 mm	TX 30	100	188640
6 x 240 mm	TX 30	100	188641

AGR: 00.460

1

Partial thread countersunk head milling pockets Ø 3,0-6,0 mm TX yellow zinc plated

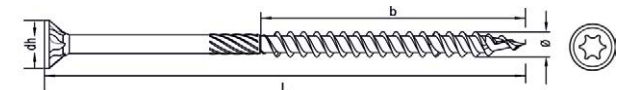
- Patented countersunk head with milling pockets: combines the properties of a countersunk head and countersunk milling head and thereby reduces the demand of different head types. The milling pocket head works like a countersunk milling head in wood, but can also be used in fittings without damaging the coating
- Rib at the top: Reduces the spreading effect in wood, due to this, it is possible to screw-in near edges
- Strong thread flanks in the front part of the thread:
- Better wedging effect of the dowel. Due to this, higher pull-out-values can be achieved
- Double thread: up to 50% faster screwing and thereby time saving. Increase of the productivity
- Shaft milling ribs and special sliding coating: Reduces driving torque especially when using long screws, due to this, screw-in-tools will be spared
- Recess/Drive: Very good bit fitting in combination with the Toko-Bit. Less wobbling and optimal power transmission from the bit to the drive due to matched and reduced tolerances.
- Drive-harmonization: Only one bit (TX20) for thread diameters of 3.5–5.0mm. For reasons of better power transmission, there exists a TX25 (diameter 5.0mm) for hardwood applications.
- European technical approval: ETA-12/2080 assures a maximum of safety for the EASYfast WAVE as a wood fastener

Application Area

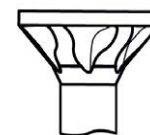
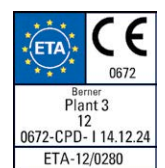
- Wood connections in engineered timber constructions such as wood frame constructions, pre-fabricated buildings, balcony constructions, staircase constructions
- Countersunk head with milling pockets is suitable for applications in angles and fittings as well as for screwing directly in wood

Processing Information

- Galvanized screws are not permanent resistant to corrosion in outdoor and humid areas
- The screws can be used with and without pre-drilling in wooden elements. Pre-drilling is only allowed up to the core diameter
- It is recommended to pre-drill when using hardwood, to prevent break of screws and also to spare the tools



gelb verzinkt



Wood, chipboard and drywall screws

Thread	3.5	4	4.5	5	5	6
Ø head	7 mm	7.5 mm	8.5 mm	9.5 mm	9.5 mm	11.5 mm
Drive	TX 20	TX 20	TX 20	TX 20	TX 25	TX 30

Partial thread countersunk head milling pockets Ø
3,0-6,0 mm TX yellow zinc plated

Dimensions	Thread length	Drive	PU Piece	Article No.
3.5 x 20 mm	16 mm	TX 20	1000	188648
3.5 x 25 mm	17 mm	TX 20	1000	188649
3.5 x 30 mm	18 mm	TX 20	1000	188650
3.5 x 35 mm	21 mm	TX 20	1000	188651
3.5 x 40 mm	24 mm	TX 20	1000	188652
3.5 x 45 mm	25 mm	TX 20	500	188653
3.5 x 50 mm	30 mm	TX 20	500	188654
4 x 20 mm	16 mm	TX 20	1000	188655
4 x 25 mm	17 mm	TX 20	1000	188656
4 x 30 mm	18 mm	TX 20	1000	188657
4 x 35 mm	21 mm	TX 20	500	188658
4 x 40 mm	24 mm	TX 20	500	188659
4 x 45 mm	25 mm	TX 20	500	188660
4 x 50 mm	30 mm	TX 20	500	188661
4 x 55 mm	34 mm	TX 20	400	188662
4 x 60 mm	38 mm	TX 20	400	188663
4 x 70 mm	44 mm	TX 20	300	188664
4 x 80 mm	44 mm	TX 20	200	188665
4.5 x 30 mm	18 mm	TX 20	500	188667
4.5 x 35 mm	21 mm	TX 20	500	188668
4.5 x 40 mm	24 mm	TX 20	500	188669
4.5 x 45 mm	25 mm	TX 20	500	188671
4.5 x 50 mm	30 mm	TX 20	400	188672

Partial thread countersunk head milling pockets Ø
3,0-6,0 mm TX yellow zinc plated

Dimensions	Thread length	Drive	PU Piece	Article No.
4.5 x 55 mm	34 mm	TX 20	400	188673
4.5 x 60 mm	38 mm	TX 20	300	188674
4.5 x 70 mm	44 mm	TX 20	200	188675
4.5 x 80 mm	44 mm	TX 20	200	188676
5 x 30 mm	18 mm	TX 20	500	188677
5 x 35 mm	21 mm	TX 20	500	188678
5 x 40 mm	24 mm	TX 20	500	188679
5 x 40 mm	24 mm	TX 25	500	188691
5 x 45 mm	25 mm	TX 20	400	188680
5 x 45 mm	25 mm	TX 25	400	188692
5 x 50 mm	30 mm	TX 20	300	188681
5 x 50 mm	30 mm	TX 25	300	188693
5 x 60 mm	38 mm	TX 20	200	188682
5 x 60 mm	38 mm	TX 25	200	188694
5 x 70 mm	44 mm	TX 20	200	188683
5 x 70 mm	44 mm	TX 25	200	188695
5 x 80 mm	44 mm	TX 20	200	188684
5 x 80 mm	44 mm	TX 25	200	188696
5 x 90 mm	54 mm	TX 20	150	188685
5 x 90 mm	54 mm	TX 25	150	188697
5 x 100 mm	54 mm	TX 20	150	188686
5 x 100 mm	54 mm	TX 25	150	188698
5 x 110 mm	70 mm	TX 20	100	188687

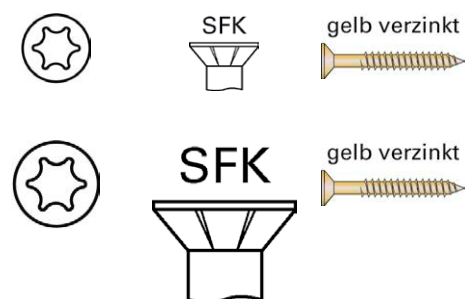
Partial thread countersunk head milling pockets Ø
3,0-6,0 mm TX yellow zinc plated

Dimensions	Thread length	Drive	PU Piece	Article No.
5 x 110 mm	70 mm	TX 25	100	188699
5 x 120 mm	70 mm	TX 20	100	188688
5 x 120 mm	70 mm	TX 25	100	188700
6 x 50 mm	30 mm	TX 30	200	188702
6 x 60 mm	38 mm	TX 30	200	188703
6 x 70 mm	44 mm	TX 30	200	188704
6 x 80 mm	44 mm	TX 30	100	188705
6 x 90 mm	54 mm	TX 30	100	188706
6 x 100 mm	54 mm	TX 30	100	188707
6 x 110 mm	70 mm	TX 30	100	188708
6 x 120 mm	70 mm	TX 30	100	188709
6 x 130 mm	70 mm	TX 30	100	188710
6 x 140 mm	70 mm	TX 30	100	188711
6 x 150 mm	70 mm	TX 30	100	188712
6 x 160 mm	70 mm	TX 30	100	188713
6 x 180 mm	70 mm	TX 30	100	188714
6 x 200 mm	70 mm	TX 30	100	188715
6 x 220 mm	70 mm	TX 30	100	188716
6 x 240 mm	70 mm	TX 30	100	188717
6 x 260 mm	70 mm	TX 30	100	188718

AGR: 00.461

1

Partial thread with rotary countersunk head Ø 5,0 mm TX 60° yellow zinc plated



Thread	5
Ø head	10 mm
Drive	TX 30

Partial thread with rotary countersunk head Ø 5,0 mm TX 60° yellow zinc plated

AGR: 00.484

Dimensions	Drive	PU Piece	Article No.
5 x 80 mm	TX 30	200	144657

Half-threaded Countersunk Milling Head Ø 8-10 mm TX, Yellow galvanized

- Europäische technische Zulassung ETA-12/0280

Application Area

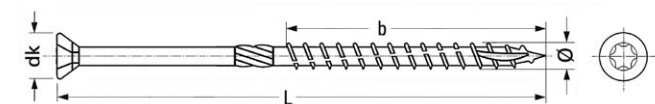
- Wood connections in timber construction, e. g. in timber frame construction, prefabricated construction, common and jack rafter fixing
- Fixing of roofing insulations which have a strength of 60 - 300 mm and which have a compressive strength of $>0.06 \text{ N/mm}^2$

Processing Information

- At roofing insulation systems, the minimum screw-in depth is 80 mm at a male elbow of $67^\circ (\pm 5^\circ)$
- The screws must be screwed through counter batten and insulation into the rafter without pre-drilling and in one operation

Hints

- The screws with a thread length of 80 mm have the technical approval as wood connecting means (European technical approval ETA-12/0280) as well as a technical approval for roofing insulation systems (Z-9.1-619)



Thread	8	10
Drive	TX 40	TX 40
Ø head	16 mm	18 mm

Half-threaded Countersunk Milling Head Ø 8-10 mm TX, Yellow galvanized			
Dimensions	Thread length	PU Piece	Article No.
8 x 80 mm	52 mm	50	000786
8 x 100 mm	80 mm	50	000788
8 x 120 mm	80 mm	50	000789
8 x 140 mm	80 mm	50	000791

Half-threaded Countersunk Milling Head Ø 8-10 mm TX, Yellow galvanized			
Dimensions	Thread length	PU Piece	Article No.
8 x 160 mm	80 mm	50	000792
8 x 180 mm	80 mm	50	000793
8 x 200 mm	80 mm	50	000794
8 x 220 mm	80 mm	50	000796

Half-threaded Countersunk Milling Head Ø 8-10 mm TX, Yellow galvanized			
Dimensions	Thread length	PU Piece	Article No.
8 x 240 mm	80 mm	50	000797
8 x 260 mm	80 mm	50	000798
8 x 280 mm	80 mm	50	000799
8 x 300 mm	80 mm	50	000811

INTERNAL/Approved (2019-03-22 11:50:43)

Wood, chipboard and drywall screws

1

Half-threaded Countersunk Milling Head Ø 8-10 mm TX, Yellow galvanized

Dimensions	Thread length	PU Piece	Article No.
8 x 320 mm	80 mm	50	000813
8 x 340 mm	80 mm	50	000814
8 x 360 mm	80 mm	50	000815
8 x 380 mm	80 mm	50	000816
8 x 400 mm	80 mm	50	000818
10 x 100 mm	80 mm	50	006639
10 x 120 mm	80 mm	50	006640
10 x 140 mm	80 mm	50	006641

Half-threaded Countersunk Milling Head Ø 8-10 mm TX, Yellow galvanized

Dimensions	Thread length	PU Piece	Article No.
10 x 160 mm	80 mm	50	006643
10 x 180 mm	80 mm	50	006644
10 x 200 mm	80 mm	50	006645
10 x 220 mm	80 mm	50	006646
10 x 240 mm	80 mm	50	006647
10 x 260 mm	80 mm	50	006648
10 x 280 mm	80 mm	50	006649
10 x 300 mm	80 mm	50	006650

Half-threaded Countersunk Milling Head Ø 8-10 mm TX, Yellow galvanized

Dimensions	Thread length	PU Piece	Article No.
10 x 320 mm	80 mm	50	006651
10 x 340 mm	80 mm	50	006652
10 x 360 mm	80 mm	50	006653
10 x 380 mm	80 mm	50	006654
10 x 400 mm	80 mm	50	006655

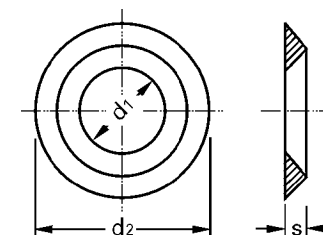
AGR: 00.435

Rosettes, steel yellow zinc plated

- European technical approval ETA-12/0280

Application Area

- For screw connections with chipboard screws and Easy Fast wood screws, which require large contact surfaces on the material

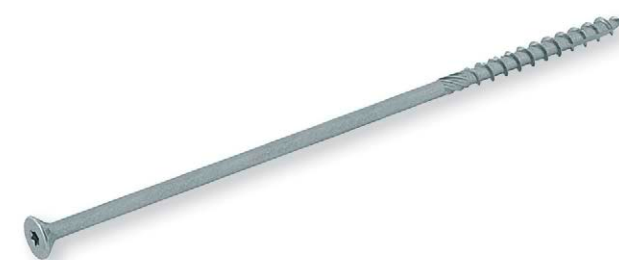


Rosettes, steel yellow zinc plated

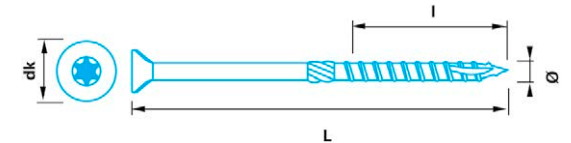
Title	For screw Ø	Internal Ø	External Ø	Height	PU Piece	Article No.
Rosette	8	8.5 mm	25 mm	5 mm	50	010759
Rosette	10	11 mm	32 mm	6 mm	50	010761

AGR: 01.296

EasyFast Screw Countersunk with Milling-Head TX zinc plated



INTERNAL/Approved (2019-03-22 11:50:58)



Thread	8	10
Ø head	15 mm	18 mm
Drive	TX 40	TX 40

EasyFast Screw Countersunk with Milling-Head TX zinc plated			
Dimensions	Drive	PU Piece	Article No.
8 x 80 mm	TX 40	50	129235
8 x 100 mm	TX 40	50	129204
8 x 120 mm	TX 40	50	129208
8 x 140 mm	TX 40	50	129207
8 x 160 mm	TX 40	50	129213
8 x 180 mm	TX 40	50	129212
8 x 200 mm	TX 40	50	129215
8 x 220 mm	TX 40	50	129217
8 x 240 mm	TX 40	50	129209
8 x 260 mm	TX 40	50	129219
8 x 280 mm	TX 40	50	129218

EasyFast Screw Countersunk with Milling-Head TX zinc plated			
Dimensions	Drive	PU Piece	Article No.
8 x 300 mm	TX 40	50	129224
8 x 320 mm	TX 40	50	129230
8 x 340 mm	TX 40	50	129221
8 x 360 mm	TX 40	50	129234
8 x 380 mm	TX 40	50	129233
8 x 400 mm	TX 40	50	129231
10 x 140 mm	TX 40	50	129199
10 x 160 mm	TX 40	50	129202
10 x 180 mm	TX 40	50	129201
10 x 200 mm	TX 40	50	129203
10 x 220 mm	TX 40	50	129205

EasyFast Screw Countersunk with Milling-Head TX zinc plated			
Dimensions	Drive	PU Piece	Article No.
10 x 240 mm	TX 40	50	129206
10 x 260 mm	TX 40	50	129261
10 x 280 mm	TX 40	50	129262
10 x 300 mm	TX 40	50	129264
10 x 320 mm	TX 40	50	129265
10 x 340 mm	TX 40	50	129266
10 x 360 mm	TX 40	50	129267
10 x 380 mm	TX 40	50	129268
10 x 400 mm	TX 40	50	129269

AGR: 00.435

Half-threaded Countersunk with Slices Head Ø 8 mm, TX, Yellow galvanized

- European technical approval ETA-12/0280
- The version with a Ø 22 mm wheel head has higher head pulling power values and makes the additional use of rosettes superfluous



INTERNAL/Approved (2019-03-22 11:51:15)

Wood, chipboard and drywall screws

Application Area

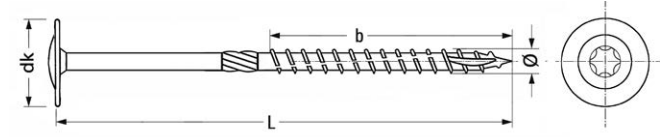
- Wood connections in timber construction, e. g. in timber frame construction, prefabricated construction, common and jack rafter fixing
- Fixing of roofing insulations which have a strength of 60 - 300 mm and which have a compressive strength of $>0.06 \text{ N/mm}^2$

Processing Information

- At roofing insulation systems, the minimum screw-in depth is 80 mm at a male elbow of $67^\circ (\pm 5^\circ)$
- The screws must be screwed through counter batten and insulation into the rafter without pre-drilling and in one operation

Hints

- Approval download and dimensioning software on Berner.de



Thread	8
Ø head	22 mm
Drive	TX 40

Half-threaded Countersunk with Slices Head Ø 8 mm, TX, Yellow galvanized

Dimensions	Thread length	PU Piece	Article No.
8 x 80 mm	52 mm	50	013797
8 x 100 mm	80 mm	50	013798
8 x 120 mm	80 mm	50	013799
8 x 140 mm	80 mm	50	008746
8 x 160 mm	80 mm	50	008747
8 x 180 mm	80 mm	50	008748

Half-threaded Countersunk with Slices Head Ø 8 mm, TX, Yellow galvanized

Dimensions	Thread length	PU Piece	Article No.
8 x 200 mm	80 mm	50	008749
8 x 220 mm	80 mm	50	008750
8 x 240 mm	80 mm	50	008751
8 x 260 mm	80 mm	50	008752
8 x 280 mm	80 mm	50	008753
8 x 300 mm	80 mm	50	008754

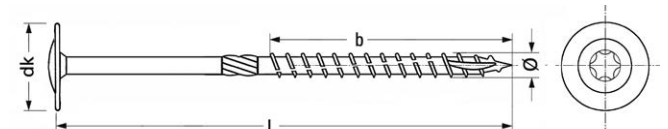
Half-threaded Countersunk with Slices Head Ø 8 mm, TX, Yellow galvanized

Dimensions	Thread length	PU Piece	Article No.
8 x 320 mm	80 mm	50	005719
8 x 340 mm	80 mm	50	005729
8 x 360 mm	80 mm	50	005736
8 x 400 mm	80 mm	50	005772

AGR: 00.435

Half-threaded Countersunk Ø 6.0 mm TX galvanized

- European technical approval ETA-12/0280
- The version with a Ø 22 mm wheel head has higher head pulling power values and makes the additional use of rosettes superfluous



INTERNAL/Approved (2019-03-22 11:51:25)

Wood, chipboard and drywall screws

Application Area

- Wood connections in timber construction, e. g. in timber frame construction, prefabricated construction, common and jack rafter fixing
- Fixing of roofing insulations which have a strength of 60 - 300 mm and which have a compressive strength of $>0.06 \text{ N/mm}^2$
- Version 6.0 mm with flat head for higher head pulling power

Processing Information

- At roofing insulation systems, the minimum screw-in depth is 80 mm at a male elbow of $67^\circ (\pm 5^\circ)$
- The screws must be screwed through counter batten and insulation into the rafter without pre-drilling and in one operation

Hints

- Approval download and design software on Berner.de



1

Thread	6	8	10
Ø head	15 mm	23 mm	25 mm
Drive	TX 30	TX 40	TX 40

Half-threaded Countersunk Ø 6.0 mm TX galvanized			
Dimensions	Thread length	PU Piece	Article No.
6 x 60 mm	30 mm	100	128892
6 x 80 mm	40 mm	100	128891
6 x 100 mm	50 mm	100	128889
6 x 120 mm	50 mm	100	129417
6 x 140 mm	75 mm	100	128888
6 x 160 mm	75 mm	100	128887
6 x 180 mm	75 mm	100	128886
6 x 200 mm	75 mm	100	128885
6 x 220 mm	75 mm	100	128884
6 x 240 mm	75 mm	100	128883
8 x 80 mm	52 mm	50	129200
8 x 100 mm	80 mm	50	129246
8 x 120 mm	80 mm	50	129245

Half-threaded Countersunk Ø 6.0 mm TX galvanized			
Dimensions	Thread length	PU Piece	Article No.
8 x 140 mm	80 mm	50	129244
8 x 160 mm	80 mm	50	129243
8 x 180 mm	80 mm	50	129242
8 x 200 mm	80 mm	50	129240
8 x 220 mm	80 mm	50	129188
8 x 240 mm	80 mm	50	129190
8 x 260 mm	80 mm	50	129189
8 x 280 mm	80 mm	50	129191
8 x 300 mm	80 mm	50	129193
8 x 320 mm	80 mm	50	129194
8 x 340 mm	80 mm	50	129195
8 x 360 mm	80 mm	50	129196
8 x 380 mm	80 mm	50	129197

Half-threaded Countersunk Ø 6.0 mm TX galvanized			
Dimensions	Thread length	PU Piece	Article No.
8 x 400 mm	80 mm	50	129198
10 x 200 mm	80 mm	50	098793
10 x 220 mm	80 mm	50	098792
10 x 240 mm	80 mm	50	098791
10 x 260 mm	80 mm	50	098790
10 x 280 mm	80 mm	50	098789
10 x 300 mm	80 mm	50	098788
10 x 320 mm	80 mm	50	098786
10 x 340 mm	80 mm	50	098801
10 x 360 mm	80 mm	50	098794
10 x 380 mm	80 mm	50	098796
10 x 400 mm	80 mm	50	098797

AGR: 00.435

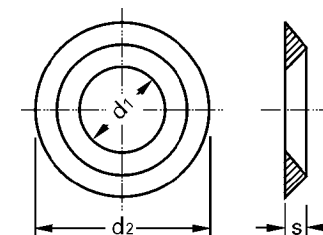
INTERNAL/Approved (2019-03-22 11:51:42)

Rosettes, steel zinc plated

1

Characteristics

- White galvanized steel

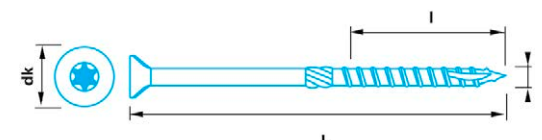


Rosettes, steel zinc plated						
Title	For screw Ø	Internal Ø	External Ø	Height	PU Piece	Article No.
Rosette	8	8.5 mm	25 mm	5 mm	50	129391
Rosette	10	11 mm	32 mm	6 mm	50	129418

AGR: 01.296

BM Quickdrill Countersunk Head

- Screws with a thread length of 100 mm
- These screws have a technical approval as wood connecting means (European Technical Approval ETA-12/0471)



Thread	8	10
Ø head	16 mm	18 mm
Drive	TX 40	TX 50

BM Quickdrill Countersunk Head			
Dimensions	Drive	PU Piece	Article No.
8 x 220 mm	TX 40	50	219244
8 x 240 mm	TX 40	50	219247
8 x 260 mm	TX 40	50	219248
8 x 280 mm	TX 40	50	219249
8 x 300 mm	TX 40	50	219250
8 x 320 mm	TX 40	50	219251
8 x 340 mm	TX 40	50	219252

BM Quickdrill Countersunk Head			
Dimensions	Drive	PU Piece	Article No.
8 x 360 mm	TX 40	50	219253
8 x 380 mm	TX 40	50	219254
8 x 400 mm	TX 40	50	219258
10 x 220 mm	TX 50	50	219259
10 x 240 mm	TX 50	50	219260
10 x 260 mm	TX 50	50	219261
10 x 300 mm	TX 50	50	219263

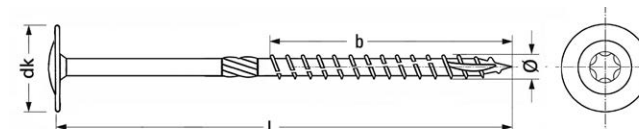
BM Quickdrill Countersunk Head			
Dimensions	Drive	PU Piece	Article No.
10 x 320 mm	TX 50	50	219264
10 x 340 mm	TX 50	50	219265
10 x 360 mm	TX 50	50	219266
10 x 380 mm	TX 50	50	219268
10 x 400 mm	TX 50	50	219270

AGR: 00.435

1

BM Quickdrill Waferhead

- Screws with a thread length of 100 mm
- These screws have a technical approval as wood connecting means (European Technical Approval ETA-12/0471)



Thread	8	10
Ø head	22 mm	22 mm
Drive	TX 40	TX 50

BM Quickdrill Waferhead			
Dimensions	Drive	PU Piece	Article No.
8 x 220 mm	TX 40	50	219233
8 x 240 mm	TX 40	50	219235
8 x 260 mm	TX 40	50	219236
8 x 280 mm	TX 40	50	219237
8 x 300 mm	TX 40	50	219238
8 x 320 mm	TX 40	50	219239
8 x 340 mm	TX 40	50	219240

BM Quickdrill Waferhead			
Dimensions	Drive	PU Piece	Article No.
8 x 360 mm	TX 40	50	219241
8 x 380 mm	TX 40	50	219242
8 x 400 mm	TX 40	50	219243
10 x 220 mm	TX 50	50	219214
10 x 240 mm	TX 50	50	219220
10 x 260 mm	TX 50	50	219221
10 x 280 mm	TX 50	50	219223

BM Quickdrill Waferhead			
Dimensions	Drive	PU Piece	Article No.
10 x 300 mm	TX 50	50	219226
10 x 320 mm	TX 50	50	219227
10 x 340 mm	TX 50	50	219229
10 x 360 mm	TX 50	50	219230
10 x 380 mm	TX 50	50	219231
10 x 400 mm	TX 50	50	219232

AGR: 00.435

Wood, chipboard and drywall screws

1

Chipboard press effect screw

- Milling pockets: easy and clean countersinking.
- No damage to coated wood materials.
- Underhead thread: perfect tightening of the components.

Application Area

- Compress effect, suitable for board materials.



Thread	3.5	4
Ø head	7 mm	7.8 mm
Drive	TX 20	TX 20

Chipboard press effect screw			
Dimensions	Thread length	PU Piece	Article No.
3.5 x 30 mm	15 mm	500	344037
3.5 x 35 mm	15 mm	500	344036
3.5 x 40 mm	23 mm	500	344035
3.5 x 50 mm	23 mm	500	344034

Chipboard press effect screw			
Dimensions	Thread length	PU Piece	Article No.
3.5 x 60 mm	30 mm	500	344033
4 x 30 mm	15 mm	500	332296
4 x 35 mm	15 mm	500	332297
4 x 40 mm	23 mm	500	332298

Chipboard press effect screw			
Dimensions	Thread length	PU Piece	Article No.
4 x 50 mm	23 mm	500	332299
4 x 60 mm	30 mm	500	332300

AGR: 00.465

INTERNAL/Approved (2019-03-22 11:52:31)

1

Furniture Composite Screw with Drilling Head

Application Area

- Permanently stable and still releasable connection
2-pieces of wood at a right angle e.g. Furniture

Characteristics

- PZD galvanized

Processing Information

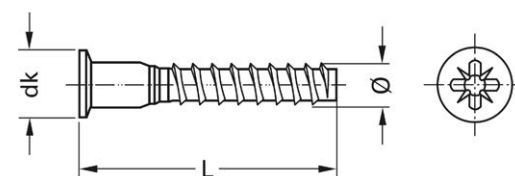
- Furniture composite screws with HSS step drill (3-stage drill)

Hints

- During the processing of art.no. 920189 use a twisted wood drill with a diameter of 7 mm for the pre-drilling (art.no. 108994)

Technical Data

Material	Steel
Surface protection	zinc plated



Title	Threaded version, nominal Ø	Length total (mm)	Ø head	Drive	PU Piece	Article No.
FURN.CONN.SCR. PZD MK 7X70 ZP	7 mm	50 mm	10 mm	PZ 3	200	249246

AGR: 00.550

Back Wall Screw, Zinc Coated Pozidriv

- Optimal force distribution, so that the material is through large head-Ø

Application Area

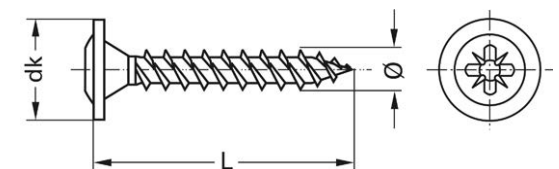
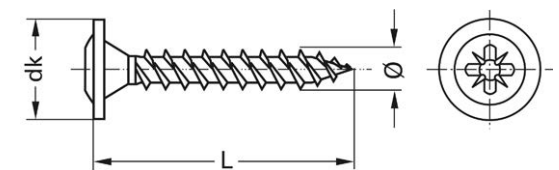
- Attachments of thin and soft sheet materials as a back wall

Characteristics

- Galvanized Pozidriv

Title	Dimension	Drive	Ø head	PU Piece	Article No.
BACK WALL SCR.PZ CSK 3.5X25 ZP	3.5 x 25 mm	PZ 2	8.5 mm	1000	800097
BACK WALL SCR.PZ CSK 3.5X30 ZP	3.5 x 30 mm	PZ 2	8.5 mm	1000	800103
BACK WALL SCR.PZ CSK 3.5X35 ZP	3.5 x 35 mm	PZ 2	8.5 mm	1000	389633

AGR: 00.554



Hinge Plate Screw Countersunk-Head yellow zinc plated

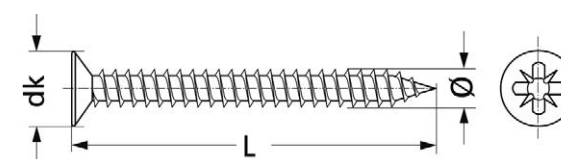
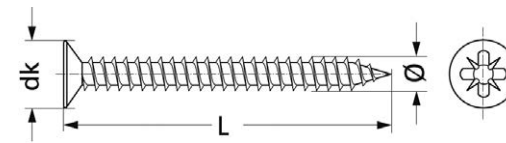
- Countersunk head for fastening piano hinges or rod hinges



Characteristics

- PZD yellow galvanized

1



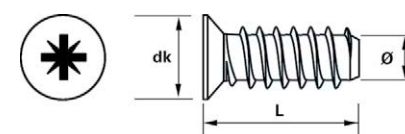
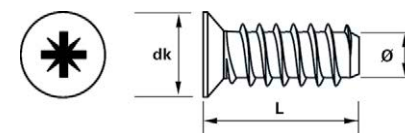
Title	Threaded version, nominal Ø	Length total (mm)	Drive	PU Piece	Article No.
HINGE PLATE SCR 3.0X 15 YZP	3 mm	15 mm	PZ 1	1000	214051
HINGE PLATE SCR 3.0X 17 YZP	3 mm	17 mm	PZ 1	1000	214060
HINGE PLATE SCR 3.0X 20 YZP	3 mm	20 mm	PZ 1	1000	828220
HINGE PLATE SCR 3.0X 25 YZP	3 mm	25 mm	PZ 1	1000	828237
HINGE PLATE SCR 3.0X 30 YZP	3 mm	30 mm	PZ 1	1000	828244
HINGE PLATE SCR 3.0X 35 YZP	3 mm	35 mm	PZ 1	1000	828251

AGR: 00.493

Euro Screws, Pozidriv, Countersunk 7,7 mm, Galvanized

Application Area

- Attachment of hinges, concealed hinges, furniture bands and furniture rails



Title	Dimension	Length total (mm)	Ø head	Drill hole-Ø	Drive	PU Piece	Article No.
EUROSCR 7,7 6.3*11 CS	6.3 x 11 mm	11 mm	7.7 mm	5 mm	PZ 2	500	546852
EUROSCR 7,7 6.3X13 CS	6.3 x 13 mm	13 mm	7.7 mm	5 mm	PZ 2	500	163939
EUROSCR 7,7 6,3X15 CS	6.3 x 15 mm	15 mm	7.7 mm	5 mm	PZ 2	500	003623

AGR: 00.552

1

Woodscrew Countersunk-Head DIN95 BS

Characteristics

- Longitudinal slot brass blank



Title	Dimension	Ø head	Drive	PU Piece	Article No.
WOODSCR. DIN 95 5.0X 50 BS	5 x 50 mm	9.2 mm	LS 1.2	200	038199
WOODSCR. DIN 95 5.0X 60 BS	5 x 60 mm	9.2 mm	LS 1.2	200	038202

AGR: 00.515

Woodscrew Countersunk-Head DIN95 BSCP

Characteristics

- Longitudinal slot brass chromed



1

Title	Dimension	Ø head	Drive	PU Piece	Article No.
WOODSCR. DIN 95 4.0X 40 BSCP	4 x 40 mm	7.5 mm	LS 0.8	200	035548
WOODSCR. DIN 95 4.0X 50 BSCP	4 x 50 mm	7.5 mm	LS 0.8	200	035572
WOODSCR. DIN 95 5.0X 40 BSCP	5 x 40 mm	9.2 mm	LS 1.2	200	035742
WOODSCR. DIN 95 5.0X 50 BSCP	5 x 50 mm	9.2 mm	LS 1.2	200	035769
WOODSCR. DIN 95 5.0X 60 BSCP	5 x 60 mm	9.2 mm	LS 1.2	200	035777
WOODSCR. DIN 95 5.0X 70 BSCP	5 x 70 mm	9.2 mm	LS 1.2	200	035785
WOODSCR. DIN 95 6.0X 60 BSCP	6 x 60 mm	11 mm	LS 1.6	100	035955

AGR: 00.515

1

TX countersunk wood screw DIN 7997

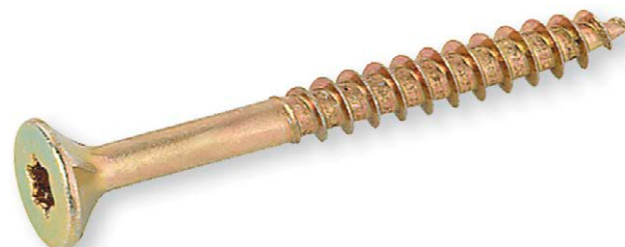
- Stump wood screw thread prevents cutting of the anchor

Application Area

- Specially designed for wood dowel screw

Characteristics

- Zinc plated and yellow passivated



Thread	5.5	7
Drive	TX 30	TX 40

TX countersunk wood screw DIN 7997		
Dimensions	PU Piece	Article No.
5.5 x 105 mm	100	748439
5.5 x 125 mm	100	748447

TX countersunk wood screw DIN 7997		
Dimensions	PU Piece	Article No.
7 x 125 mm	100	748480
7 x 140 mm	100	748498

TX countersunk wood screw DIN 7997		
Dimensions	PU Piece	Article No.
7 x 165 mm	100	748501

AGR: 00.590

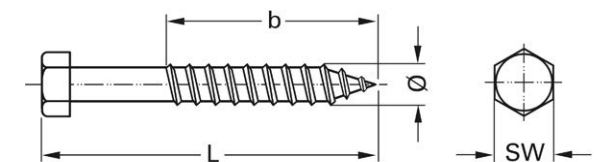
Woodscrew Hex-Head DIN571 zinc plated

Hints

- Thread length $b =$ at least $0.6 \times L$

Technical Data

Norms	Hexagon head wood screws
Material	Steel



Threaded version, nominal Ø	5 mm	6 mm	8 mm	10 mm	12 mm
Wrench Width	8 mm	10 mm	13 mm	17 mm	19 mm

Woodscrew Hex-Head DIN571 zinc plated		
Dimensions	PU Piece	Article No.
5 x 25 mm	200	152093
6 x 30 mm	200	103411
6 x 40 mm	200	103438
6 x 50 mm	200	103454
6 x 60 mm	200	103462
6 x 70 mm	100	103470
6 x 80 mm	100	127051
6 x 90 mm	100	127060
6 x 100 mm	100	127949
6 x 110 mm	100	284343
6 x 120 mm	100	263354
6 x 130 mm	100	076212
8 x 30 mm	100	103489
8 x 40 mm	100	103500
8 x 50 mm	100	103527
8 x 60 mm	100	103543
8 x 70 mm	100	103551

Woodscrew Hex-Head DIN571 zinc plated		
Dimensions	PU Piece	Article No.
8 x 80 mm	100	103560
8 x 90 mm	100	103578
8 x 100 mm	100	103713
8 x 120 mm	50	127965
8 x 140 mm	50	263362
8 x 160 mm	50	263370
8 x 180 mm	50	284351
10 x 50 mm	50	103594
10 x 60 mm	100	103608
10 x 70 mm	100	103616
10 x 80 mm	50	103624
10 x 90 mm	50	103756
10 x 100 mm	50	103632
10 x 120 mm	50	103640
10 x 140 mm	50	127981
10 x 150 mm	50	511439
10 x 160 mm	50	272175

Woodscrew Hex-Head DIN571 zinc plated		
Dimensions	PU Piece	Article No.
10 x 180 mm	50	283681
10 x 200 mm	50	283690
10 x 220 mm	25	511447
10 x 240 mm	25	932850
10 x 300 mm	25	511420
12 x 60 mm	50	103764
12 x 80 mm	50	103780
12 x 100 mm	50	103802
12 x 120 mm	25	103675
12 x 140 mm	25	161098
12 x 150 mm	25	128007
12 x 160 mm	25	161101
12 x 180 mm	25	103225
12 x 200 mm	25	157171
12 x 220 mm	25	283746
12 x 240 mm	25	283754
12 x 280 mm	25	283770

INTERNAL/Approved (2019-03-22 11:53:31)

Wood, chipboard and drywall screws

1

Woodscrew Hex-Head DIN571 zinc plated		
Dimensions	PU Piece	Article No.
12 x 300 mm	25	283789

AGR: 00.531

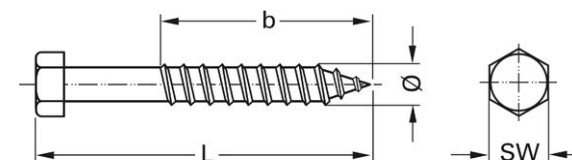
DIN 571, Hexagon Drive, of Stainless Steel A2

Hints

- Thread length $w = \text{minimum of } 0.6 \times L$

Technical Data

Norms	Hexagon head wood screws
Material	Stainless Steel A2



Threaded version, nominal Ø	5 mm	6 mm	8 mm	10 mm	12 mm	16 mm
Wrench Width	8 mm	10 mm	13 mm	17 mm	19 mm	24 mm

DIN 571, Hexagon Drive, of Stainless Steel A2		
Dimensions	PU Piece	Article No.
5 x 25 mm	200	094747*
5 x 30 mm	200	094748*
5 x 35 mm	200	094750*

DIN 571, Hexagon Drive, of Stainless Steel A2		
Dimensions	PU Piece	Article No.
5 x 40 mm	200	094751*
5 x 45 mm	200	094752*
5 x 50 mm	200	094753*

DIN 571, Hexagon Drive, of Stainless Steel A2		
Dimensions	PU Piece	Article No.
5 x 60 mm	200	094754*
5 x 70 mm	200	094755*
5 x 80 mm	200	094756*

INTERNAL/Approved (2019-03-22 11:53:56)

Wood, chipboard and drywall screws

DIN 571, Hexagon Drive, of Stainless Steel A2		
Dimensions	PU Piece	Article No.
6 x 25 mm	200	023593*
6 x 30 mm	100	932469
6 x 35 mm	200	933040*
6 x 40 mm	100	932470
6 x 45 mm	200	933058*
6 x 50 mm	100	932471
6 x 55 mm	200	094757*
6 x 60 mm	100	932472
6 x 65 mm	100	094758*
6 x 70 mm	100	933416
6 x 80 mm	100	835155
6 x 100 mm	100	933066
6 x 110 mm	100	094759*
6 x 120 mm	100	933074*
6 x 130 mm	100	094760*
6 x 140 mm	100	094761*
8 x 25 mm	100	094762*
8 x 30 mm	100	094763*
8 x 35 mm	100	094764*
8 x 40 mm	100	835157
8 x 45 mm	100	109656*
8 x 50 mm	100	284122
8 x 55 mm	100	094765*
8 x 60 mm	100	284130
8 x 65 mm	100	094766*
8 x 70 mm	100	284149
8 x 75 mm	100	094767*

DIN 571, Hexagon Drive, of Stainless Steel A2		
Dimensions	PU Piece	Article No.
8 x 80 mm	50	284157
8 x 100 mm	50	835163
8 x 110 mm	100	094768*
8 x 120 mm	50	933082
8 x 130 mm	100	094769*
8 x 140 mm	50	933090
8 x 150 mm	50	094770
8 x 160 mm	50	933104
8 x 180 mm	50	094771
8 x 200 mm	50	094772
10 x 40 mm	100	094774*
10 x 45 mm	100	094775*
10 x 55 mm	100	094776*
10 x 60 mm	50	835165
10 x 70 mm	50	932480
10 x 80 mm	50	932481
10 x 90 mm	50	835168*
10 x 100 mm	25	932482
10 x 120 mm	25	932483
10 x 130 mm	50	094777*
10 x 140 mm	25	933180
10 x 160 mm	50	094778
10 x 180 mm	50	094779
10 x 200 mm	50	094780
12 x 50 mm	100	933228*
12 x 60 mm	100	094781*
12 x 70 mm	50	094782*

DIN 571, Hexagon Drive, of Stainless Steel A2		
Dimensions	PU Piece	Article No.
12 x 80 mm	50	933244
12 x 90 mm	50	094783
12 x 100 mm	25	933317
12 x 110 mm	25	094784*
12 x 120 mm	25	933333
12 x 130 mm	25	094785*
12 x 140 mm	25	933368
12 x 150 mm	25	094786
12 x 180 mm	25	933384
12 x 200 mm	25	094787
12 x 220 mm	25	094788
12 x 240 mm	25	094789
12 x 260 mm	25	094790*
12 x 280 mm	25	094791*
12 x 300 mm	25	094792*
16 x 80 mm	25	094793*
16 x 90 mm	25	094794*
16 x 100 mm	25	094795*
16 x 110 mm	25	094796*
16 x 120 mm	25	094797*
16 x 130 mm	25	094798*
16 x 140 mm	25	094799*
16 x 150 mm	25	094800*
16 x 160 mm	25	094801*
16 x 180 mm	25	094802*
16 x 200 mm	25	094803*

* = The delivery time is 14 days
AGR: 00.532

1

Drywall Screw, Fine double thread (metal), black phosphated

- Chip-free and fast screwings into metal substructures
 - ▶ Sharp fine double thread
- Accurate positioning on screwing surface
 - ▶ Application-optimized screw tip geometry
- Easy recessible screw head for smooth surface fillings and stable hold on substructure
 - ▶ Flat trumpet head shape

Application Area

- Drywall and interior constructions (plasterers, painters, etc.)
- Fastening of plasterboards on metal substructures up to 0.75 mm thickness

Hints

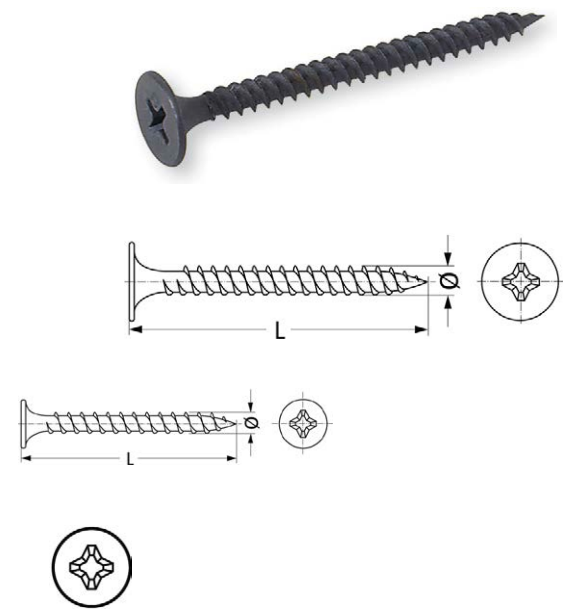
- Minimum screw depth (metal substructure): ≥ 10 mm
- Required screw length = Minimum screw depth + Thickness of fixture (plasterboard)
- Double-planked plasterboards fixed on (non-load-bearing) walls do have several higher performance in load-bearing capacity, fire protection classification, sound and thermal insulation (indoors)

Technical Data

Material	Steel
Surface protection	phosphated
Head shape	Trumpet head
Ø head	8 mm

Title	Threaded version, nominal Ø	Length total (mm)	Thread length	Drive	PU Piece	Article No.
Coarse Thread Screws	3.5 mm	25 mm	-	PH 2	1000	560855
Coarse Thread Screws	3.5 mm	35 mm	-	PH 2	1000	560863
DWS FT DT TH PHO	3.5 mm	45 mm	-	PH 2	1000	560871
DWS FT DT TH PHO	3.5 mm	55 mm	35 mm	PH 2	1000	560880
DWS FT DT TH PHO	4.2 mm	70 mm	-	PH 2	250	223115

AGR: 00.470



Drywall Screw, Fine double thread (metal), black phosphated, belted

- Efficient and time-saving screwings
 - Volume-optimized screw straps for use in various powerful cordless (drywall) screwdrivers
- Accurate positioning on screwing surface
 - Application-optimized screw tip geometry
- Chip-free and fast screwings into metal substructures
 - Sharp fine double thread
- Easy recessible screw head for smooth surface fillings and stable hold on substructure
 - Flat trumpet head shape

Application Area

- Drywall and interior constructions (plasterers, painters, etc.)
- Fastening of plasterboards on metal substructures up to 0.75 mm thickness

Processing Information

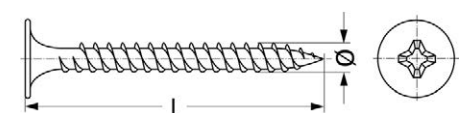
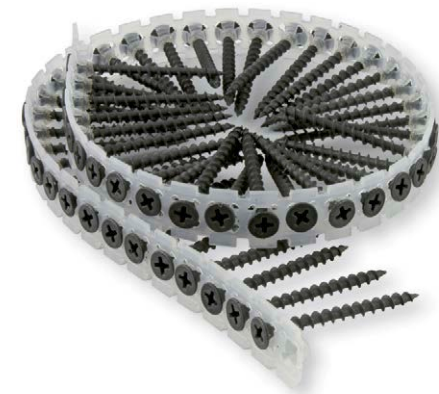
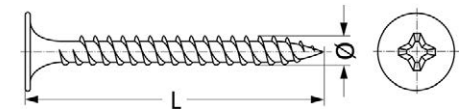
- Usable with Berner Akku drywall screwdriver with magazine attachment or the following:
Makita 6830-34, Hitachi W4YE, Hilti TME 25/45, Hilti SMT 55, Hilti FD MI 55, Bosch MA55, Würth MSG 1, Würth MSG 2, Ryobi SDR-101, Rida Super Drive 55, Knoke Profix screw attachment type 9000, Duo Fast RD-100/55, ESSVE MEKATECH 2541, helper type 20-45

Hints

- Minimum screw depth (metal substructure): ≥ 10 mm
- Required screw length = Minimum screw depth + Thickness of fixture (plasterboard)
- Double-planked plasterboards fixed on (non-load-bearing) walls do have several higher performance in load-bearing capacity, fire protection classification, sound and thermal insulation (indoors)

Technical Data

Material	Steel
Surface protection	phosphated
Head shape	Trumpet head
Ø head	8 mm



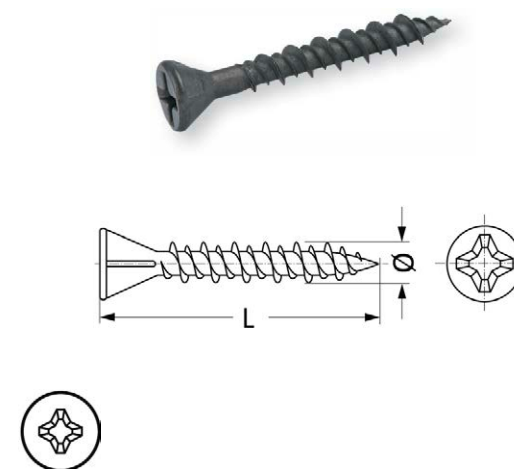
1

Title	Threaded version, nominal Ø	Length total (mm)	Drive	PU Piece	Article No.
DWS BELT FT DT TH PHO	3.5 mm	25 mm	PH 2	1000	937690
DWS BELT FT DT TH PHO	3.5 mm	35 mm	PH 2	1000	937681
DWS BELT DT PH 3,5X45 PHO	3.5 mm	45 mm	PH 2	1000	121434
DRYWALL SCREW BELT 3.5X55 PHO	3.5 mm	55 mm	PH 2	1000	121435

AGR: 00.475

Drywall Screw, Double / Hi-Lo thread, small countersunk head 60°, black phosphated

- Easy and fast screwings into gypsum fibreboards (and plasterboards)
 - ▶ Sharp High-Low thread
- Accurate positioning on screwing surface
 - ▶ Application-optimized screw tip geometry
- Easy recessible screw head for smooth surface fillings
 - ▶ Small flat countersunk head with ribs



Application Area

- Drywall and interior constructions (plasterers, painters, etc.)
- Fastening of gypsum fibreboards and plasterboards on wood and metal substructures (thickness metal up to 0.75 mm)

Hints

- Minimum screw depth (wood substructure): $\geq 4 \times d$ (d = Thread diameter)
- Minimum screw depth (metal substructure): ≥ 10 mm
- Required screw length = Minimum screw depth + Thickness of fixture (plasterboard)
- Double-planked plasterboards fixed on (non-load-bearing) walls do have several higher performance in load-bearing capacity, fire protection classification, sound and thermal insulation (indoors)

Technical Data

Material	Steel
Surface protection	phosphated
Head shape	Countersunk milling head
Ø head	7 mm

Title	Threaded version, nominal Ø	Length total (mm)	Drive	PU Piece	Article No.
DRYWALL SCREW FERM 3.9X19 PHO	3.9 mm	19 mm	PH 2	1000	118460
DWS FT HiLo CSKR-60 PHO	3.9 mm	30 mm	PH 2	1000	118656
DWS FT HiLo CSKR-60 PHO	3.9 mm	45 mm	PH 2	1000	118699
DWS FT HiLo CSKR-60 PHO	3.9 mm	55 mm	PH 2	1000	185726

AGR: 00.474

Drywall Screw, Self-tapping double thread (metal), Drill-bit, black phosphated

- Pre-drilling not necessary: Easy and quick screwings
 - Application-optimized strong drill-bit with specific geometry
- Chip-free and fast screwings into metal substructures
 - Sharp fine double thread
- Easy recessible screw head for smooth surface fillings and stable hold on substructure
 - Flat trumpet head shape

Application Area

- Drywall and interior constructions (plasterers, painters, etc.)
- Fastening of gypsum fibreboards and plasterboards on metal substructures above 0.75 mm thickness

Hints

- Minimum screw depth (metal substructure): ≥ 10 mm
- Required screw length = Minimum screw depth + Thickness of fixture (plasterboard)
- Double-planked plasterboards fixed on (non-load-bearing) walls do have several higher performance in load-bearing capacity, fire protection classification, sound and thermal insulation (indoors)

Technical Data

Material	Steel
Surface protection	phosphated
Head shape	Trumpet head
Ø head	8 mm



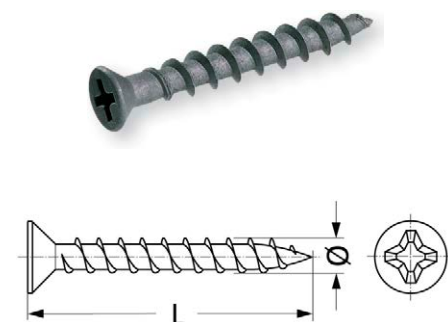
1

Title	Threaded version, nominal Ø	Length total (mm)	Drive	PU Piece	Article No.
Coarse Thread Screws	3.5 mm	25 mm	PH 2	1000	743453
Coarse Thread Screws	3.5 mm	35 mm	PH 2	1000	743470
DWS FT DT TH DRILL-B. PHO	3.5 mm	45 mm	PH 2	1000	869681
DWS FT DT TH DRILL-B. PHO	3.5 mm	55 mm	PH 2	1000	869698

AGR: 00.473

Drywall Screw, Coarse thread (wood), small countersunk head 80°, black phosphated

- Easy and fast screwings into wooden substructures
 - ▶ Sharp coarse thread
- Accurate positioning on screwing surface
 - ▶ Application-optimized screw tip geometry
- Easy recessible screw head for smooth surface fillings
 - ▶ Small flat countersunk head with ribs



Application Area

- Drywall and interior constructions (plasterers, painters, etc.)
- Fastening of plasterboards on wood substructures

Hints

- Minimum screw depth (wood substructure): $\geq 4 \times d$ (d = thread diameter)
- Required screw length = Minimum screw depth + Thickness of fixture (plasterboard)
- Double-planked plasterboards fixed on (non-load-bearing) walls do have several higher performance in load-bearing capacity, fire protection classification, sound and thermal insulation (indoors)

Technical Data

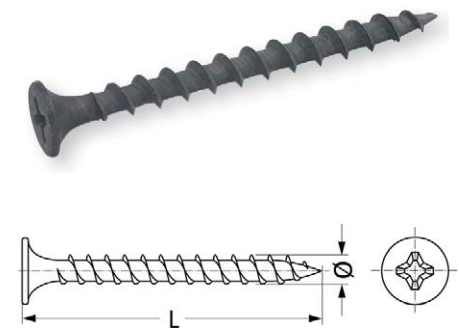
Material	Steel
Surface protection	phosphated
Head shape	Countersunk milling head
Ø head	8 mm

Title	Threaded version, nominal Ø	Length total (mm)	Drive	PU Piece	Article No.
DWS FT CT CSKR-80 PHO	5.5 mm	38 mm	PH 2	1000	129274

AGR: 00.471

Drywall Screw, Coarse thread (wood), black phosphated

- Easy and fast screwings into wooden substructures
 - Sharp coarse thread
- Accurate positioning on screwing surface
 - Application-optimized screw tip geometry
- Easy recessible screw head for smooth surface fillings and stable hold on substructure
 - Flat trumpet head shape



1

Application Area

- Drywall and interior constructions (plasterers, painters, etc.)
- Fastening of plasterboards on wood substructures

Hints

- Minimum screw depth (wood substructure): $\geq 4 \times d$ (d = thread diameter)
- Required screw length = Minimum screw depth + Thickness of fixture (plasterboard)
- Double-planked plasterboards fixed on (non-load-bearing) walls do have several higher performance in load-bearing capacity, fire protection classification, sound and thermal insulation (indoors)

Technical Data

Material	Steel
Surface protection	phosphated
Head shape	Trumpet head
Ø head	8 mm

Title	Threaded version, nominal Ø	Length total (mm)	Drive	PU Piece	Article No.
DWS FT CT TH PHO	3.9 mm	25 mm	PH 2	1000	376760
DWS FT CT TH PHO	3.9 mm	35 mm	PH 2	1000	127302
DWS FT CT TH PHO	3.9 mm	45 mm	PH 2	500	127310
DWS FT CT TH PHO	3.9 mm	55 mm	PH 2	400	127329
DWS FT CT TH PHO	4.2 mm	75 mm	PH 2	200	376779
DRYWALL SCREW COARSE 4,2X90 PH	4.2 mm	90 mm	PH 2	250	084212

AGR: 00.471

INTERNAL/Approved (2019-03-22 11:55:33)

1

Distafix Mini 20/8 Ø 4,5 mm

- Ideal for anchoring in grooves / folding, under cover strips or gaskets, due to the extremely small holding thread of 8 mm
- In conjunction with nylon can be used with almost any surfaces, backgrounds, in addition to the possibility of direct screwing into wood

Application Area

- Tension-spaced mounting for different types of frames,
- counter battens and boards, as part of residential entry
- and interior doors, wall and ceiling coverings

Processing Information

- Used for attachment and substrate with a diameter of 6 mm drill and using the 6 mm nylon plug anchor
- Higher load by a screw in the dovetail principle (about 15 ° diagonally moved)

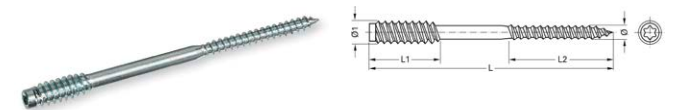
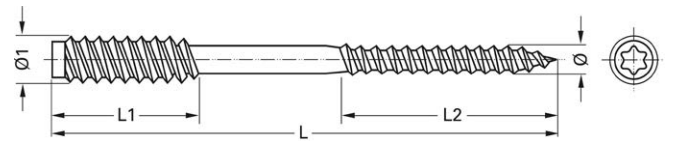
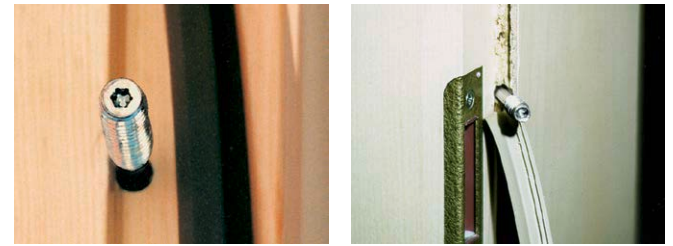
Scope Of Delivery

- Each Unit includes 1 TX 25 bit, length 50 mm

Technical Data

Surface protection

zinc plated



Title	Wood Thread Ø	Wood Thread Length	Keep Thread Ø	Keep Thread Length	Drive	Length total (mm)	Distance Range Max.	PU Piece	Article No.
DISTAFIX TX25 4.5/8.0X 60 ZP	4.5 mm	30 mm	8 mm	20 mm	TX 25	60 mm	25 mm	100	140504
DISTAFIX TX25 4.5/8.0X 80 ZP	4.5 mm	40 mm	8 mm	20 mm	TX 25	80 mm	45 mm	100	140502
DISTAFIX TX25 4.5/8.0X100 ZP	4.5 mm	40 mm	8 mm	20 mm	TX 25	100 mm	65 mm	100	140505
DISTAFIX TX25 4.5/8.0X120 ZP	4.5 mm	40 mm	8 mm	20 mm	TX 25	120 mm	85 mm	100	140501

AGR: 00.600

Distafix 20/10 Ø 6,0 mm

- No wedging required, so that saving 40-60% of assembly time.
- Strengthening ribs on the threads to reduce the insertion torque, reduce tensions on the border
- area and further increase the fracture torque
- In conjunction with nylon can be used with almost any surfaces, backgrounds, in addition to the possibility of direct screwing into wood

Application Area

- Tension-spaced mounting installation of windows and doors made of wood / plastic, First-and ridge battens, substructures and stairs

Hints

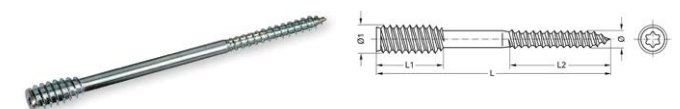
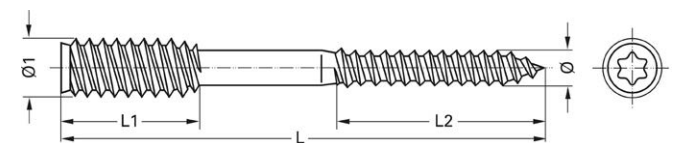
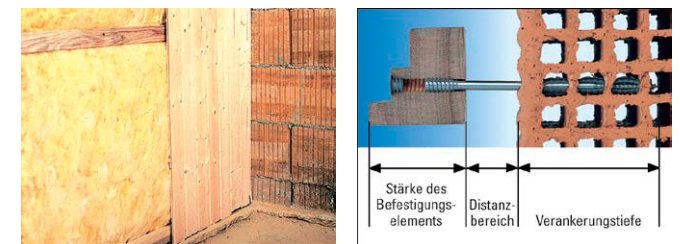
- The Distafix 20/10 Ø 6 mm is checked in by the Institute of Window Technology (ift) in Rosenheim and guarantee the highest quality and safety standards
- Test Report No. 509 28828 / 3 U on www.berner.de

Scope Of Delivery

- Each Unit includes 1 TX 25 bit, length 50 mm

Technical Data

Surface protection zinc plated



Title	Wood Thread Ø	Wood Thread Length	Keep Thread Ø	Keep Thread Length	Drive	Length total (mm)	Distance Range, Min. Or Single Value	Distance Range Max.	PU Piece	Article No.
DISTAFIX TX25 6/10.0X 60 ZP	6 mm	30 mm	10 mm	20 mm	TX 25	60 mm	0 mm	15 mm	200	825727
DISTAFIX TX25 6/10.0X 80 ZP	6 mm	40 mm	10 mm	20 mm	TX 25	80 mm	15 mm	35 mm	200	825743
DISTAFIX TX25 6/10.0X100 ZP	6 mm	40 mm	10 mm	20 mm	TX 25	100 mm	35 mm	55 mm	200	825760
DISTAFIX TX25 6/10.0X120 ZP	6 mm	40 mm	10 mm	20 mm	TX 25	120 mm	55 mm	75 mm	100	825778
DISTAFIX TX25 6/10.0X150 ZP	6 mm	40 mm	10 mm	20 mm	TX 25	150 mm	75 mm	105 mm	100	825808
DISTAFIX TX25 6/10.0X180 ZP	6 mm	40 mm	10 mm	20 mm	TX 25	180 mm	100 mm	135 mm	100	825824

INTERNAL/Approved (2019-03-22 11:55:53)

DISTAFIX TX25 6/10.0X200 ZP 6 mm 40 mm 10 mm 20 mm TX 25 200 mm 135 mm 155 mm 100 825832

AGR: 00.601

1

Distafix TX zinc plated hardened

- No wedging required, so that saving 40-60% of assembly time.
- Hardened steel and strengthening ribs on the threads to reduce the insertion torque, reduce tensions on the border area and further increase the fracture torque
- In conjunction with nylon can be used with almost any surfaces, backgrounds, in addition to the possibility of direct screwing into wood

Application Area

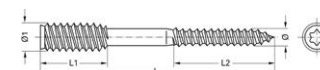
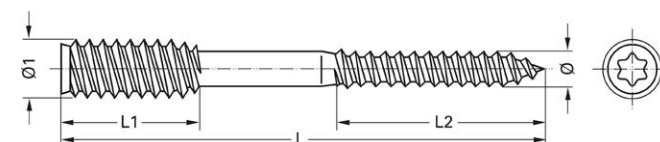
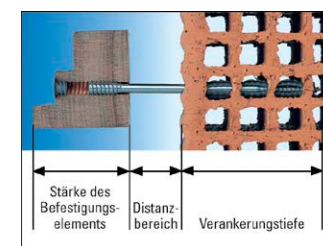
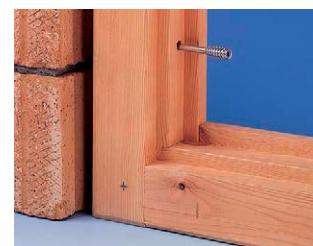
- Tension-spaced mounting installation of windows and doors made of wood / plastic, First-and ridge battens, substructures and stairs

Hints

- The Distafix screws 20/10 Ø 6 mm are checked by the Institute of Window Technology (ift) in Rosenheim and guarantee the highest quality and safety standards
- Test Report No. 509 28828 / 3 U on www.berner.de

Scope Of Delivery

- Each Unit includes 1 TX 25 bit, length 50 mm



Title	Wood Thread Ø	Wood Thread Length	Keep Thread Ø	Keep Thread Length	Drive	Length total (mm)	Distance Range, Min. Or Single Value	Distance Range Max.	PU Piece	Article No.
Distafix TX zinc plated hardened	6 mm	40 mm	10 mm	20 mm	TX 25	80 mm	15 mm	35 mm	200	368334
Distafix TX zinc plated hardened	6 mm	40 mm	10 mm	20 mm	TX 25	100 mm	35 mm	55 mm	200	368336
Distafix TX zinc plated hardened	6 mm	40 mm	10 mm	20 mm	TX 25	120 mm	55 mm	75 mm	100	368337
Distafix TX zinc plated hardened	6 mm	40 mm	10 mm	20 mm	TX 25	150 mm	75 mm	105 mm	100	368339

AGR: 00.601

Distafix Vario TX zinc plated

- High installation time savings since substructure can be adjusted easily, continuously and precisely, without complicate wedging or padding

Application Area

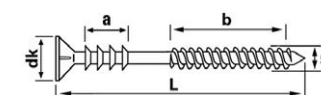
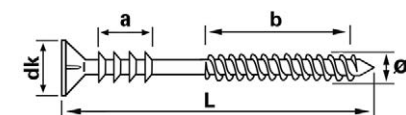
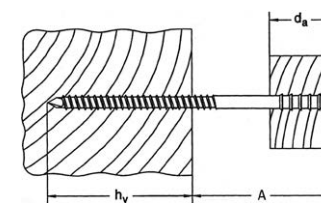
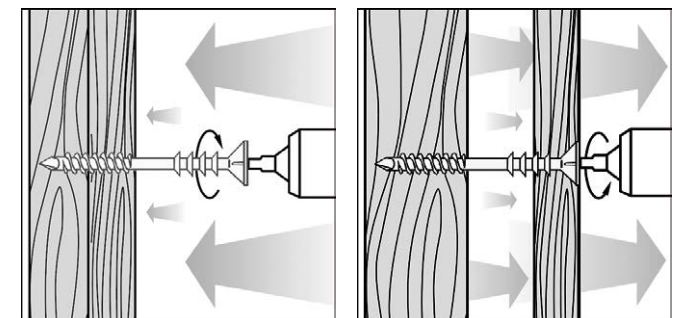
- Adjustable offset mounting of wooden frames with a thickness of 20 - 25 mm in wooden substrates, such as wall and ceiling coverings

Processing Information

- Installation without pre-drilling, directly through the bar into the underground until the screw head is sunk into the bar of at least 2 mm
- At the subsequent turning back of the screw, the required distance is set and maintained accurately

Technical Data

Surface protection zinc plated



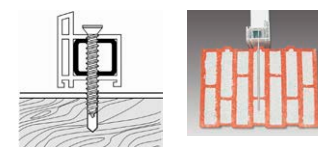
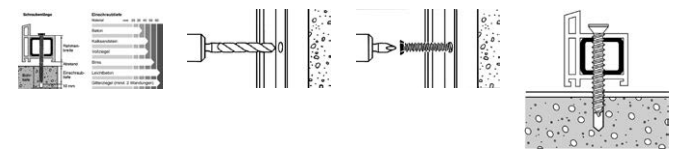
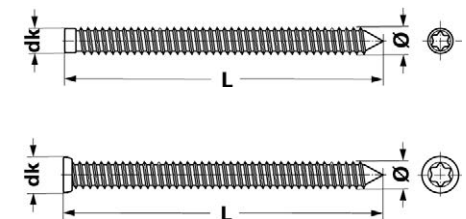
Wood, chipboard and drywall screws

1

Title	Wood Thread Ø	Wood Thread Length	Keep Thread Length	Drive	Length total (mm)	Distance Range Max.	PU Piece	Article No.
DISTAFIX VARIO TX25 6.0X 70 ZP	6 mm	25 mm	40 mm	TX 25	70 mm	20 mm	100	117885
DISTAFIX VARIO TX25 6.0X 80 ZP	6 mm	38 mm	50 mm	TX 25	80 mm	30 mm	100	117886
DISTAFIX VARIO TX25 6.0X 90 ZP	6 mm	48 mm	60 mm	TX 25	90 mm	40 mm	100	117887
DISTAFIX VARIO TX25 6.0X100 ZP	6 mm	60 mm	70 mm	TX 25	100 mm	50 mm	100	117888
DISTAFIX VARIO TX25 6.0X120 ZP	6 mm	60 mm	90 mm	TX 25	120 mm	70 mm	100	117890
DISTAFIX VARIO TX25 6.0X130 ZP	6 mm	60 mm	100 mm	TX 25	130 mm	80 mm	100	123768
DISTAFIX VARIO TX25 6.0X145 ZP	6 mm	60 mm	115 mm	TX 25	145 mm	95 mm	100	123769

AGR: 00.606

Délka šroubu		Hloubka zašroubování					
Materiál	mm	20	30	40	50	60	
Beton							
Vápenco-pískovcový kámen							
Plná cihla							
Pemza							
Porobeton							
Dutá cihla							



Betofix

- Reduced installation time, as dowel fixing
- Tension mounting distance

INTERNAL/Approved (2019-03-22 11:56:12)

Wood, chipboard and drywall screws

1

- Optimal fixation values in stone and wood surfaces
- Length 252 mm and 302 mm in the ideal T9-brick stone

Application Area

- Fixing of window and door frames made of
- Wood, Aluminum and Plastic
- Fixing of window lax
- Coupling of frameworks

Characteristics

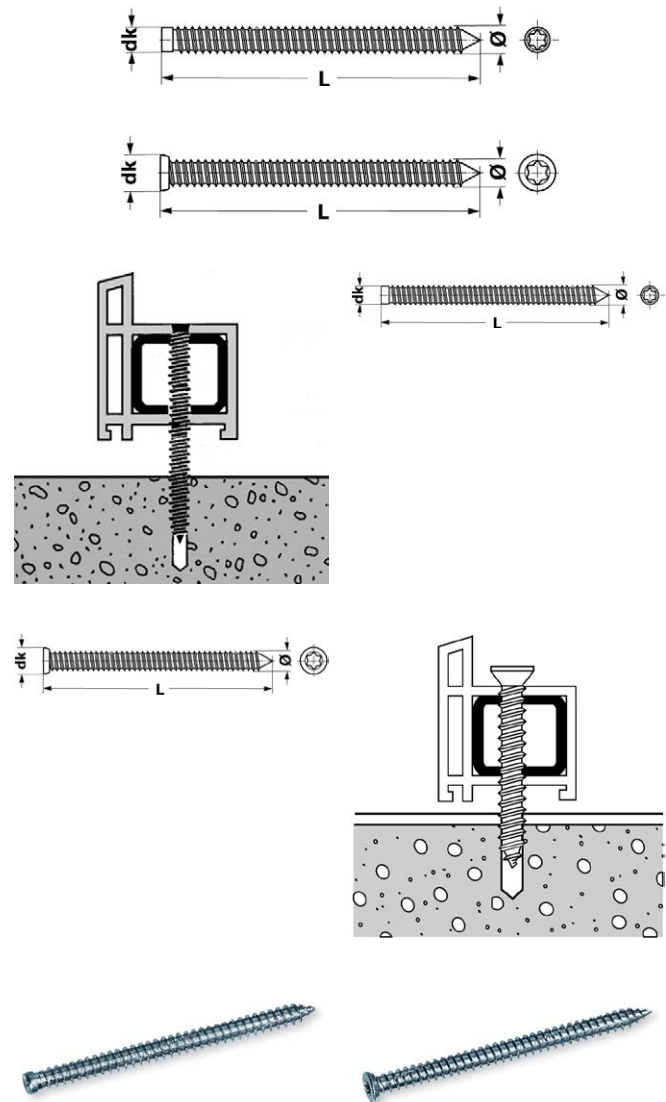
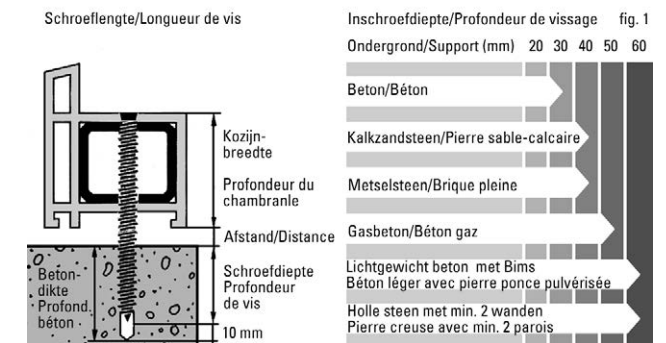
- Head-Ø 7 mm, TX 25 for brick stone installation
- Head-Ø 8 mm, TX 30 for installation in concrete and wood
- Head-Ø 11 mm, TX 30 universal for window and door installation, and also framework couplings
- Head shape ideal for holding caps

Processing Information

- Pilot-drilling frames with Ø 6.2 mm
- Emphasize and hard full bricks with Ø pilot-drill 6.5 mm
- Pilot-drilling in remaining masonry with Ø 6.0 mm
- Gas concrete and softwood don't have to be pilot-drilled

Hints

- Approved by the Institute for Window Technology (ift) in Rosenheim
- Test Report No. 509 28828 / 4 U on www.berner.de



Wood, chipboard and drywall screws

Title	Dimension	Drive	Ø head	PU Piece	Article No.
BETOFIX H8 TX30 7,5X40 ZP	7.5 x 40 mm	TX 30	8 mm	100	006425
FR-BETOFIX H11 TX30 7.5X 40 ZP	7.5 x 40 mm	TX 30	11 mm	100	169890
BETOFIX H8 TX30 7,5X60 ZP	7.5 x 60 mm	TX 30	8 mm	100	006470
FR-BETOFIX H11 TX30 7.5X 60 ZP	7.5 x 60 mm	TX 30	11 mm	100	169891
BETOFIX H8 TX30 7,5X80 ZP	7.5 x 80 mm	TX 30	8 mm	100	006471
FR-BETOFIX H11 TX30 7.5X 80 ZP	7.5 x 80 mm	TX 30	11 mm	100	169892
Betofix frame screws	7.5 x 100 mm	TX 30	8 mm	100	006472
FR-BETOFIX H11 TX30 7.5X100 ZP	7.5 x 100 mm	TX 30	11 mm	100	169893
Betofix frame screws	7.5 x 120 mm	TX 30	8 mm	100	006473
FR-BETOFIX H11 TX30 7.5X120 ZP	7.5 x 120 mm	TX 30	11 mm	100	169894
BETOFIX H8 TX30 7,5X132 ZP	7.5 x 132 mm	TX 30	8 mm	100	006430
FR-BETOFIX H11 TX30 7.5X132 ZP	7.5 x 132 mm	TX 30	11 mm	100	169895
Betofix frame screws	7.5 x 150 mm	TX 30	8 mm	100	006474
FR-BETOFIX H11 TX30 7.5X150 ZP	7.5 x 150 mm	TX 30	11 mm	100	169896
Betofix frame screws	7.5 x 180 mm	TX 30	8 mm	100	006476
FR-BETOFIX H11 TX30 7.5X180 ZP	7.5 x 180 mm	TX 30	11 mm	100	169897
BAUTEC TX30 H11/7.5X212 ZP BTI	7.5 x 212 mm	TX 30	11 mm	100	171038
BETOFIX H8 TX30 7,5X212 ZP	7.5 x 212 mm	TX 30	8 mm	100	006434
BETOFIX H8 TX30 7,5X252 ZP	7.5 x 252 mm	TX 30	8 mm	100	006435
RA-BETOFIX K11 TX30 7,5X252 ZI	7.5 x 252 mm	TX 30	11 mm	100	054022
BETOFIX H8 TX30 7,5X302 ZP	7.5 x 302 mm	TX 30	8 mm	100	006436
RA-BETOFIX K11 TX30 7,5X302 ZI	7.5 x 302 mm	TX 30	11 mm	100	054023

AGR: 00.611 / 00.612

Accessories Available

	PU Amount	Article No.
Single VacuumLifter 60 kg Size 2	1	155748
Windbag Installation Pillow	1/2/4	159134

Cover Caps for Betofix

1 Application Area

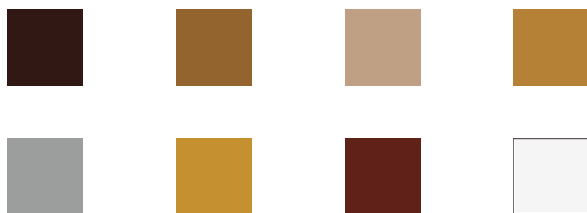
- Caps for color-keyed assembly view of windows or doors

Characteristics

- Even with tilted mounting up to 20 °, the caps lie flat on the ground

Hints

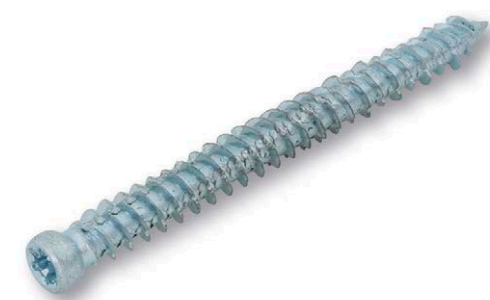
- Covers for head diameter of 11 mm only for Betofix



Title	Drive	Ø head	Ø Cover Cap	Color	PU Piece	Article No.
CAP FR BETOFIX K11 TX30 BROWN	TX 30	11 mm	14 mm	RAL 8017, Chocolate brown	100	810746
CAP FR BETOFIX K11 TX30 WHITE	TX 30	11 mm	14 mm	RAL 9016, Traffic white	100	810738

AGR: 00.903

Framescrew



1

Title	Dimension	Drive	Ø head	PU Piece	Article No.
FRAMESCR. K11 TX30 7,5X80ZI	7.5 x 80 mm	TX 30	11 mm	300	338163
FRAMESCR. K8 TX30 7,5X80 ZI	7.5 x 80 mm	TX 30	8 mm	300	338156
FRAMESCR. K11 TX30 7,5X100ZI	7.5 x 100 mm	TX 30	11 mm	250	338164
FRAMESCR. K8 TX30 7,5X100 ZI	7.5 x 100 mm	TX 30	8 mm	250	338162
FRAMESCR. K11 TX30 7,5X120ZI	7.5 x 120 mm	TX 30	11 mm	200	338165
FRAMESCR. K8 TX30 7,5X120 ZI	7.5 x 120 mm	TX 30	8 mm	200	338161
FRAMESCR. K11 TX30 7,5X132ZI	7.5 x 132 mm	TX 30	11 mm	150	338166
FRAMESCR. K8 TX30 7,5X132 ZI	7.5 x 132 mm	TX 30	8 mm	150	338160
FRAMESCR. K11 TX30 7,5X150ZI	7.5 x 150 mm	TX 30	11 mm	150	338167
FRAMESCR. K8 TX30 7,5X150 ZI	7.5 x 150 mm	TX 30	8 mm	150	338159
FRAMESCR. K11 TX30 7,5X180ZI	7.5 x 180 mm	TX 30	11 mm	100	338168
FRAMESCR. K8 TX30 7,5X180 ZI	7.5 x 180 mm	TX 30	8 mm	100	338158
FRAMESCR. K11 TX30 7,5X212ZI	7.5 x 212 mm	TX 30	11 mm	100	338169
FRAMESCR. K8 TX30 7,5X212 ZI	7.5 x 212 mm	TX 30	8 mm	100	338157

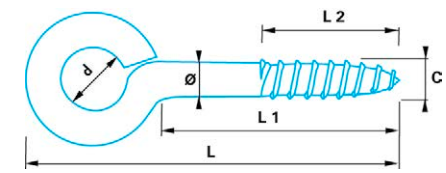
AGR: 00.611 / 00.612

INTERNAL/Approved (2019-03-22 11:57:20)

1 Ring Screw zinc plated

Technical Data

Head shape	Oval
Drive shape	Spanner
Material	Steel
Surface protection	zinc plated



Title	Thread length	PU Piece	Article No.
RING SCRW. HSG 5.0*50 ST ZP	30 mm	100	029452

AGR: 00.543

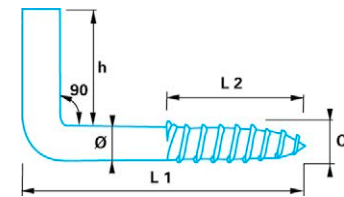
Angle Hook zinc plated

Characteristics

- White galvanized

Technical Data

Head shape	Oval
Drive shape	Spanner
Material	Steel
Surface protection	zinc plated



Title	Threaded version, nominal Ø	Thread length	Length total (mm)	Height Of Head (k)	PU Piece	Article No.
ANGLE HOOK M 6.0X60 ZP	6 mm	24 mm	60 mm	20 mm	100	029439

AGR: 00.541

Angle Hook Washer zinc plated

Characteristics

- White galvanized

Technical Data



INTERNAL/Approved (2019-03-22 11:57:27)

Wood, chipboard and drywall screws

Material	Steel
Surface protection	zinc plated



1

Title	Threaded version, nominal Ø	Length total (mm)	PU Piece	Article No.
ANGLE HOOK W.WASHER 4,5X 68 ZP	4.5 mm	68 mm	100	084317

AGR: 00.541

Slotted Hook zinc plated

Characteristics

- White galvanized

Technical Data

Material	Steel
Surface protection	zinc plated



Title	Threaded version, nominal Ø	Length total (mm)	PU Piece	Article No.
SLOTTED HOOK 4.5X 40 ZP	4.5 mm	40 mm	100	128422
SLOTTED HOOK 4.5X 50 ZP	4.5 mm	50 mm	25	512907
SLOTTED HOOK 5.2X 50 ZP	5.2 mm	50 mm	100	190080
SLOTTED HOOK 5.2X 80 ZP	5.2 mm	80 mm	25	193690
SLOTTED HOOK 6.0X 65 ZP	6 mm	65 mm	25	190098
SLOTTED HOOK 6.0X 80 ZP	6 mm	80 mm	25	190101

AGR: 00.541

Angle Hook zinc plated

Characteristics

- White galvanized

Technical Data



INTERNAL/Approved (2019-03-22 11:57:38)

Wood, chipboard and drywall screws

Material	Steel
Surface protection	zinc plated



Title	Threaded version, nominal Ø	Length total (mm)	PU Piece	Article No.
ANGLE HOOK KS 5.2X40 ZP	5.2 mm	40 mm	100	849626
ANGLE HOOK KS 5.2X50 ZP	5.2 mm	50 mm	100	849634
ANGLE HOOK KS 5.8X65 ZP	5.8 mm	65 mm	100	849642
ANGLE HOOK KS 5.8X80 ZP	5.8 mm	80 mm	25	849650
ANGLE HOOK KS 5.8X100 ZP	5.8 mm	100 mm	25	849677

AGR: 00.541

Chand Screw Hook

Characteristics

- White galvanized

Technical Data

Material	Steel
Surface protection	zinc plated



Title	Threaded version, nominal Ø	Length total (mm)	PU Piece	Article No.
CHAND.HOOK 3.2X 50 /BF 6	3.2 mm	50 mm	100	815596
CHAND.HOOK 3.2X 60 /BF 6	3.2 mm	60 mm	100	815602
CHAND.HOOK 5.0X 60 /BF 8	5 mm	60 mm	100	512940
CHAND.HOOK 5.0X 70 /BF 8	5 mm	70 mm	100	512958
CHAND.HOOK 5.0X 80 /BF 8	5 mm	80 mm	100	512966
CHAND.HOOK 5.0X100 /BF 8	5 mm	100 mm	25	815787
CHAND.HOOK 6.0X120 /BF 8	6 mm	120 mm	25	815794
CHAND.HOOK 6.0X140 /BF 8	6 mm	140 mm	25	513008

1

Scaffolding screws with wood screw thread

- Version galvanized for high corrosion protection
- Matched system for safe screw guidance and high assembly reliability
- Frame screws in galvanized version for high corrosion protection
- Can be used in many different subsoils

Application Area

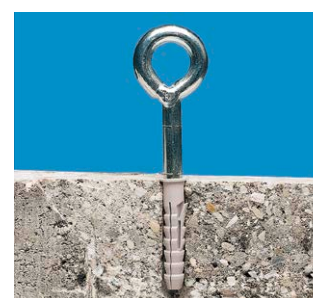
- Anchoring of state frameworks in concrete, natural stone, hollow blocks, perforated bricks, sand lime bricks with nylon Scaffolding-plug Ø 14 mm
- Dowel lots scaffold anchors directly into wood substrates

Characteristics

- Double welded ring terminal, installation depth marker

Processing Information

- Installation depth of the concrete: 75 mm



Title	Threaded version, nominal Ø	Length total (mm)	Useable Length	Eyelets	PU Piece	Article No.
RACK SCREW GS 10.0X120 ZP	10 mm	120 mm	65 mm	23 mm	25	863061
Scaffolding screw with wood screw thread	12 mm	160 mm	85 mm	23 mm	25	104685
Scaffolding screw with wood screw thread	12 mm	190 mm	115 mm	23 mm	25	104688
Scaffolding screw with wood screw thread	12 mm	230 mm	155 mm	23 mm	10	104687
RACK SCREW GS 12.0X300 ZP	12 mm	300 mm	235 mm	25 mm	10	039538
RACK SCREW GS 12.0X350 ZP	12 mm	350 mm	285 mm	25 mm	10	039539

AGR: 00.542

Hanger Bolts Steel 4.6, Zinc Coated, TX

- Fast screwing with TX drive
- Fine adjustment by a spanner set is possible

Application Area

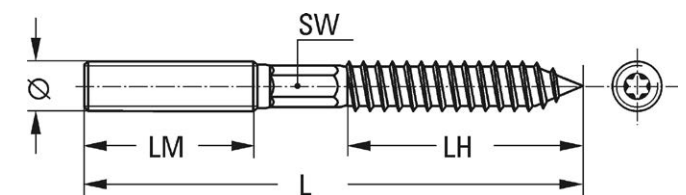
- Universal mounting of clamps in masonry (with nylon dowels) or in wooden substrates

Hints

- Ø 6 mm without key neck

Technical Data

Material	Steel
Surface protection	zinc plated



Ø mm	M 6	M 8	M 10
TX	15	25	25
AF	-	6	8
Dowel-Ø mm	8	10	12

Title	Thread	Length total (mm)	Length Metric Threads	Length Wall Thread	PU Piece	Article No.
Hanger bolt	M 8	50 mm	10 mm	30 mm	100	117996
Hanger bolt	M 8	60 mm	20 mm	30 mm	100	167384
Hanger bolt	M 8	80 mm	30 mm	37 mm	100	117997
Hanger bolt	M 8	90 mm	40 mm	37 mm	100	164239
Hanger bolt	M 8	100 mm	40 mm	50 mm	100	117998
Hanger bolt	M 8	120 mm	50 mm	62 mm	100	117999
Hanger bolt	M 8	150 mm	50 mm	62 mm	100	118000
Hanger bolt	M 8	180 mm	50 mm	62 mm	100	167387
Hanger bolt	M 8	200 mm	50 mm	62 mm	100	143766
Hanger bolt	M 8	220 mm	50 mm	62 mm	100	143740
Hanger bolt	M 10	60 mm	20 mm	37 mm	100	167388
Hanger bolt	M 10	80 mm	20 mm	47 mm	100	167389
Hanger bolt	M 10	100 mm	30 mm	57 mm	100	167390
Hanger bolt	M 10	120 mm	50 mm	57 mm	50	167391
Hanger bolt	M 10	140 mm	50 mm	57 mm	50	167392
Hanger bolt	M 10	160 mm	50 mm	57 mm	50	143759

INTERNAL/Approved (2019-03-22 11:58:02)

Wood, chipboard and drywall screws

1

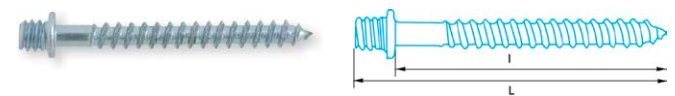
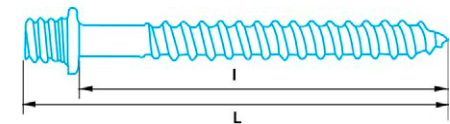
Title	Thread	Length total (mm)	Length Metric Threads	Lenght Wall Thread	PU Piece	Article No.
Hanger bolt	M 10	180 mm	50 mm	57 mm	50	167394
Hanger bolt	M 10	200 mm	50 mm	57 mm	50	143758
Hanger bolt	M 10	220 mm	50 mm	57 mm	50	167395

AGR: 00.560

Hanger Screw Drawstr. Ra-St

Technical Data

Material	Steel
Surface protection	zinc plated



Title	Length total (mm)	Length Metric Threads	Lenght Wall Thread	PU Piece	Article No.
ROD SCR W. DRAWSTR RA-ST 6X50	50 mm	10 mm	30 mm	100	200840

AGR: 00.562

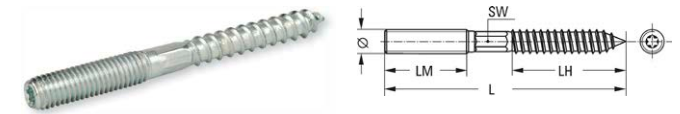
Hanger Bolts, Stainless Steel A2

Application Area

- Universal attachment of e.g. Pipe clamps in masonry (with nylon nylons) or in wooden subsoils

Hints

- Ø M 6 without key
- Ø M 8 partly with key
- Ø M 10 all with key attachment



1

Technical Data

Material	Stainless Steel A2		
Surface protection	plain		

Ø mm	M 6	M 8	M 10
AF	-	6	8
Dowel-Ø mm	8	10	12

Title	Thread	Length total (mm)	Length Metric Threads	Length Wall Thread	Wall Mounting Depth	PU Piece	Article No.
ROD SCR 6X 50 A2	M 6	50 mm	11 mm	37 mm	37 mm	100	090787
ROD SCR 6X 60 A2	M 6	60 mm	20 mm	37 mm	37 mm	100	090788
ROD SCR 6X 80 A2	M 6	80 mm	30 mm	47 mm	47 mm	100	090789
DOWEL SCREW M8X 50 A2 TX	M 8	50 mm	10 mm	30 mm	-	100	034361
DOWEL SCREW M8X 60 A2	M 8	60 mm	20 mm	30 mm	-	100	034362
DOWEL SCREW M8X 80 A2 TX	M 8	80 mm	30 mm	37 mm	-	100	034363
DOWEL SCREW M8X100 A2 TX	M 8	100 mm	40 mm	50 mm	-	100	034364
DOWEL SCREW M8X120 A2	M 8	120 mm	50 mm	62 mm	-	100	034365
DOWEL SCREW M8X140 A2	M 8	140 mm	50 mm	62 mm	-	100	034366
DOWEL SCREW M8X150 A2	M 8	150 mm	50 mm	62 mm	-	100	034367
DOWEL SCREW M8X160 A2	M 8	160 mm	50 mm	62 mm	-	100	034368
DOWEL SCREW M8X180 A2	M 8	180 mm	50 mm	62 mm	-	100	034369
DOWEL SCREW M10X 80 A2 TX	M 10	80 mm	20 mm	47 mm	-	100	034371
DOWEL SCREW M10X100 A2	M 10	100 mm	30 mm	57 mm	-	50	034372
DOWEL SCREW M10X120 A2	M 10	120 mm	50 mm	57 mm	-	50	034373
DOWEL SCREW M10X140 A2	M 10	140 mm	50 mm	57 mm	-	50	034374

AGR: 00.563

INTERNAL/Approved (2019-03-22 11:58:42)

Hanger Bolts- Inserting Tool

1

Application Area

- For machine setting hanger bolts and steel bolts with metric thread

Characteristics

- 1/4" bit holder

Title	Drive Size Inch	PU Piece	Article No.
M 10 screwing-in tool	1/4 "	1	880884
M 8 screwing-in tool	1/4 "	1	880892

AGR: 03.519



Black Wall Screw TX

- Optimal force distribution on the material through large head diameter

Application Area

- Fortifications of thin and soft sheet materials as the back wall coverings

Characteristics

- galvanized TX

Title	Dimension	Drive	Ø head	PU Piece	Article No.
BACK WALL SCR TX RCSK 3,5X25ZP	3.5 x 25 mm	TX 15	8 mm	1000	015832
BACK WALL SCR TX RCSK 3,5X30ZP	3.5 x 30 mm	TX 15	8 mm	1000	338724
Back Wall Screw TX	3.5 x 35 mm	TX 15	8 mm	1000	015829

AGR: 00.554



1 Lifting anchor system



Title	PU Amount	Article No.
LIFTING ANCHOR T-LIFT (2 PCS)	1	344243
SCREW F.T-LIFT 12X120/100	30	344241
SCREW F.T-LIFT 12X160/144	30	344242

AGR: 00.556

Plumbers Screw TX stainless steel/copper plated

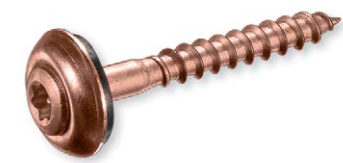
- According to DIN 7995, with cover rosette Ø 15 and Ø 26, rubber gasket, corrosion resistant, 100% waterproof installation, weather-resistant due to rubber gasket

Application Area

- Corrosion-, weather-resistant and waterproof screw connections of metal and plastic materials in the interior and exterior area as well as in damp rooms

Scope Of Delivery

- Copper plated screws DIN 7995 Stainless steel A2
- Copper-plated cover sleeve with collar Stainless Steel A2
- Weather-resistant rubber sealing washer



Title	Dimension	Diameter Cover Rose	Drive	PU Piece	Article No.
SPENG.SCR 15 TX20 4.5X 25A2/CO	4.5 x 25 mm	15 mm	TX 20	250	165762
SPENG.SCR 15 TX20 4.5X 35A2/CO	4.5 x 35 mm	15 mm	TX 20	250	165763
SPENG.SCR 25 TX20 4.5X 35A2/CO	4.5 x 35 mm	26 mm	TX 20	250	084315
SPENG.SCR 15 TX20 4.5X 45A2/CO	4.5 x 45 mm	15 mm	TX 20	250	165764
SPENG.SCR 25 TX20 4.5X 45A2/CO	4.5 x 45 mm	26 mm	TX 20	150	084316
SPENG.SCR 15 TX20 4.5X 60A2/CO	4.5 x 60 mm	15 mm	TX 20	100	165765
SPENG.SCR 15 TX20 4.5X 80A2/CO	4.5 x 80 mm	15 mm	TX 20	100	165766
SPENG.SCR 15 TX20 4.5X100A2/CO	4.5 x 100 mm	15 mm	TX 20	100	165767
SPENG.SCR 15 TX20 4.5X120A2/CO	4.5 x 120 mm	15 mm	TX 20	100	165768
SPENG.SCR 15 TX20 4.5X150A2/CO	4.5 x 150 mm	15 mm	TX 20	100	165770

AGR: 00.571

Plumbers Screw TX plain/stainless steel

- According to DIN 7995, with cover rosette Ø 15 and Ø 26, rubber gasket, corrosion resistant, 100% waterproof installation, weather-resistant due to rubber gasket



INTERNAL/Approved (2019-03-22 11:59:04)

Self-tapping screws

Application Area

- Corrosion-, weather-resistant and waterproof screw connections of metal and plastic materials in the interior and exterior area as well as in damp rooms

Scope Of Delivery

- Screws DIN 7995 Stainless steel A2 blank
- Cover sleeve with collar Stainless Steel A2 blank
- Weather-resistant rubber sealing washer

Title	Dimension	Diameter Cover Rose	Drive	PU Piece	Article No.
PLUMP.SCR 20 TX20 4.5X 20A2/PL	4.5 x 20 mm	20 mm	TX 20	250	130686*
SPENG.SCR 15 TX20 4.5X 25 A2	4.5 x 25 mm	15 mm	TX 20	250	165752
SPENG.SCR 15 TX20 4.5X 35 A2	4.5 x 35 mm	15 mm	TX 20	250	165753
SPENG.SCR 25 TX20 4.5X 35A2	4.5 x 35 mm	26 mm	TX 20	200	084313
SPENG.SCR 15 TX20 4,5X45 A2	4.5 x 45 mm	15 mm	TX 20	250	165754
SPENG.SCR 25 TX20 4.5X 45A2	4.5 x 45 mm	26 mm	TX 20	150	084314
SPENG.SCR 15 TX20 4.5X 60 A2	4.5 x 60 mm	15 mm	TX 20	100	165755
PLUMP.SCR 20 TX20 4.5X 70A2/PL	4.5 x 70 mm	20 mm	TX 20	100	130652*
SPENG.SCR 15 TX20 4.5X 80 A2	4.5 x 80 mm	15 mm	TX 20	100	165756
PLUMP.SCR 20 TX20 4.5X 80A2/PL	4.5 x 80 mm	20 mm	TX 20	100	130645*
SPENG.SCR 15 TX20 4.5X100 A2	4.5 x 100 mm	15 mm	TX 20	100	165757
PLUMP.SCR 20 TX20 4.5X100A2/PL	4.5 x 100 mm	20 mm	TX 20	100	130628*
SPENG.SCR 15 TX20 4.5X120 A2	4.5 x 120 mm	15 mm	TX 20	100	165758
PLUMP.SCR 20 TX20 4.5X120A2/PL	4.5 x 120 mm	20 mm	TX 20	100	130643*
SPENG.SCR 15 TX20 4.5X150 A2	4.5 x 150 mm	15 mm	TX 20	100	165761
Plumber sealing screw DIN 7995	4.5 x 180 mm	15 mm	TX 25	100	144749
Plumber sealing screw DIN 7995	4.5 x 200 mm	15 mm	TX 25	100	157412

* = The delivery time is 30 days

AGR: 00.571

Two part plumber screw



Self-tapping screws

Title	Dimension	Drive	PU Piece	Article No.
SPGL A2 BL4,5X 25/15-2P TX20	4.5 x 25 mm	Torq 20	500	014965
SPGL A2 BL4,5X 35/15-2P TX20	4.5 x 35 mm	Torq 20	400	014966
SPGL A2 BL4,5X 45/15-2P TX20	4.5 x 45 mm	Torq 20	250	014967
SPGL A2 BL4,5X 60/15-2P TX20	4.5 x 60 mm	Torq 20	200	014968

AGR: 00.570

1

Plumbers Screw CPS TX



Title	Dimension	Diameter Cover Rose	Drive	Color	PU Piece	Article No.
CPS/15 TX20 4.5X 25 ANOD.BRN	4.5 x 25 mm	15 mm	TX 20	Anodic brown	250	167271
CPS/15 TX20 4.5X 25 ANTHRACITE	4.5 x 25 mm	15 mm	TX 20	Anthracite	250	167275
CPS/15 TX20 4.5X 25 DESTOMORO	4.5 x 25 mm	15 mm	TX 20	destomoro	250	167273
CPS/15 TX20 4.5X 25 MOSS GREEN	4.5 x 25 mm	15 mm	TX 20	Moss green	250	167277
CPS/15 TX20 4.5X 25 POLAR WHT	4.5 x 25 mm	15 mm	TX 20	Polar white	250	167276
CPS/15 TX20 4.5X 25 PREFA GREY	4.5 x 25 mm	15 mm	TX 20	Prefa grey	250	167274
CPS/15 TX20 4.5X 25 TILE RED	4.5 x 25 mm	15 mm	TX 20	Tile red	250	167272
PLC/15 TX20 4.5X 25 RED BROWN	4.5 x 25 mm	15 mm	TX 20	Red brown	250	170776
CPS/15 TX20 4,5X 35 WHITEALUMI	4.5 x 35 mm	15 mm	TX 20	RAL 9006, White aluminium	250	099044
CPS/15 TX20 4,5X35 ZINCGRAY	4.5 x 35 mm	15 mm	TX 20	zinc	250	052820
CPS/15 TX20 4.5X 35 ANOD.BRN	4.5 x 35 mm	15 mm	TX 20	Anodic brown	250	167278
CPS/15 TX20 4.5X 35 ANTHRACITE	4.5 x 35 mm	15 mm	TX 20	Anthracite	250	167283
CPS/15 TX20 4.5X 35 DESTOMORO	4.5 x 35 mm	15 mm	TX 20	destomoro	250	167280
CPS/15 TX20 4.5X 35 MOSS GREEN	4.5 x 35 mm	15 mm	TX 20	Moss green	250	167285
CPS/15 TX20 4.5X 35 POLAR WHT	4.5 x 35 mm	15 mm	TX 20	Polar white	250	167284
CPS/15 TX20 4.5X 35 PREFA GREY	4.5 x 35 mm	15 mm	TX 20	Prefa grey	250	167281
CPS/15 TX20 4.5X 35 RED LEAD	4.5 x 35 mm	15 mm	TX 20	Oxide red	250	167287
CPS/15 TX20 4.5X 35 TILE RED	4.5 x 35 mm	15 mm	TX 20	Tile red	250	167279

INTERNAL/Approved (2019-03-22 11:59:29)

Self-tapping screws

Title	Dimension	Diameter Cover Rose	Drive	Color	PU Piece	Article No.
PLC/15 TX20 4.5X 35 RED BROWN	4.5 x 35 mm	15 mm	TX 20	Red brown	250	170777
CPS/15 TX20 4,5X 45 WHITEALUMI	4.5 x 45 mm	15 mm	TX 20	RAL 9006, White aluminium	250	099066
CPS/15 TX20 4,5X45 ZINCGRAY	4.5 x 45 mm	15 mm	TX 20	Zinc grey	250	045579
CPS/15 TX20 4.5X 45 ANOD.BRN	4.5 x 45 mm	15 mm	TX 20	Anodic brown	250	167288
CPS/15 TX20 4.5X 45 ANTHRACITE	4.5 x 45 mm	15 mm	TX 20	Anthracite	250	167293
CPS/15 TX20 4.5X 45 DESTOMORO	4.5 x 45 mm	15 mm	TX 20	destomoro	250	167291
CPS/15 TX20 4.5X 45 MOSS GREEN	4.5 x 45 mm	15 mm	TX 20	Moss green	250	167295
CPS/15 TX20 4.5X 45 POLAR WHT	4.5 x 45 mm	15 mm	TX 20	Polar white	250	167294
CPS/15 TX20 4.5X 45 PREFA GREY	4.5 x 45 mm	15 mm	TX 20	Prefa grey	250	167292
CPS/15 TX20 4.5X 45 RED BROWN	4.5 x 45 mm	15 mm	TX 20	Red brown	250	167290
CPS/15 TX20 4.5X 45 RED LEAD	4.5 x 45 mm	15 mm	TX 20	Oxide red	250	167299
CPS/15 TX20 4.5X 45 TILE RED	4.5 x 45 mm	15 mm	TX 20	Tile red	250	167289
SPS/15 TX20 4,5X 45 SIGN.BL.	4.5 x 45 mm	15 mm	TX 20	Signal black	250	032002
CPS/15 TX20 4,5X 60 WHITEALUMI	4.5 x 60 mm	15 mm	TX 20	RAL 9006, White aluminium	100	099067
CPS/15 TX20 4,5X60 ZINCGRAY	4.5 x 60 mm	15 mm	TX 20	zinc	100	045580
CPS/15 TX20 4.5X 60 ANOD.BRN	4.5 x 60 mm	15 mm	TX 20	Anodic brown	100	167300
CPS/15 TX20 4.5X 60 ANTHRACITE	4.5 x 60 mm	15 mm	TX 20	Anthracite	100	167305
CPS/15 TX20 4.5X 60 DESTOMORO	4.5 x 60 mm	15 mm	TX 20	destomoro	100	167303
CPS/15 TX20 4.5X 60 MOSS GREEN	4.5 x 60 mm	15 mm	TX 20	Moss green	100	167307
CPS/15 TX20 4.5X 60 POLAR WHT	4.5 x 60 mm	15 mm	TX 20	Polar white	100	167306
CPS/15 TX20 4.5X 60 PREFA GREY	4.5 x 60 mm	15 mm	TX 20	Prefa grey	100	167304
CPS/15 TX20 4.5X 60 RED BROWN	4.5 x 60 mm	15 mm	TX 20	Red brown	100	167302
CPS/15 TX20 4.5X 60 RED LEAD	4.5 x 60 mm	15 mm	TX 20	Oxide red	100	167311
CPS/15 TX20 4.5X 60 TILE RED	4.5 x 60 mm	15 mm	TX 20	Tile red	100	167301
CPS/15 TX20 4.5X 80 ANOD.BRWN	4.5 x 80 mm	15 mm	TX 20	Anodic brown	100	176160
CPS/15 TX20 4.5X 80 ANTHRACITE	4.5 x 80 mm	15 mm	TX 20	Anthracite	100	176164
CPS/15 TX20 4.5X 80 DESTOMORO	4.5 x 80 mm	15 mm	TX 20	destomoro	100	176162
CPS/15 TX20 4.5X 80 MOSS GREEN	4.5 x 80 mm	15 mm	TX 20	Moss green	100	176166
CPS/15 TX20 4.5X 80 POLAR WHT	4.5 x 80 mm	15 mm	TX 20	Polar white	100	176165
CPS/15 TX20 4.5X 80 PREFA GREY	4.5 x 80 mm	15 mm	TX 20	Prefa grey	100	176163
CPS/15 TX20 4.5X 80 RED LEAD	4.5 x 80 mm	15 mm	TX 20	Oxide red	100	176167
CPS/15 TX20 4.5X 80 TILE RED	4.5 x 80 mm	15 mm	TX 20	Tile red	100	176161

INTERNAL/Approved (2019-03-22 11:59:42)

Self-tapping screws

1

Title	Dimension	Diameter Cover Rose	Drive	Color	PU Piece	Article No.
CPS/15 TX20 4.5X100 ANOD.BRN.	4.5 x 100 mm	15 mm	TX 20	Anodic brown	100	167312
CPS/15 TX20 4.5X100 ANTHRACITE	4.5 x 100 mm	15 mm	TX 20	Anthracite	100	167316
CPS/15 TX20 4.5X100 DESTOMORO	4.5 x 100 mm	15 mm	TX 20	destomoro	100	167314
CPS/15 TX20 4.5X100 POLAR WHT	4.5 x 100 mm	15 mm	TX 20	Polar white	100	167317
CPS/15 TX20 4.5X100 PREFA GREY	4.5 x 100 mm	15 mm	TX 20	Prefa grey	100	167315
CPS/15 TX20 4.5X100 TILE RED	4.5 x 100 mm	15 mm	TX 20	Tile red	100	167313
CPS/15 TX20 4,5X120 ANOD.BRN.	4.5 x 120 mm	15 mm	TX 20	Anodic brown	100	084876
CPS/15 TX20 4,5X120 ANTHRACIT	4.5 x 120 mm	15 mm	TX 20	Anthracite	100	084877
CPS/15 TX20 4.5X100 DESTOMORO	4.5 x 120 mm	15 mm	TX 20	destomoro	100	167321

AGR: 00.573

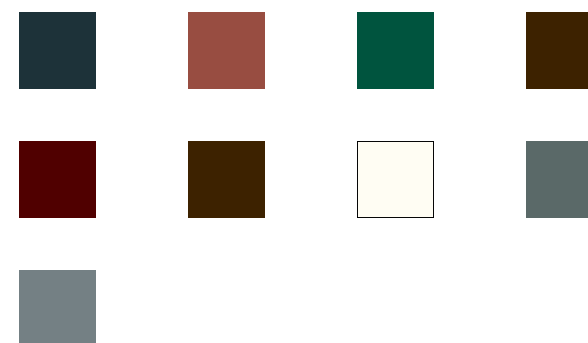
Coloured Tinsmith Screws, TX, Stainless Steel A2

Application Area

- Corrosion-, weather-resistant and waterproof screw connections of metal and plastic materials in the interior and exterior area as well as in damp rooms

Scope Of Delivery

- Wood screw DIN 7995 Stainless Steel A2, painted head
- Rosette A2 stainless steel, painted with bonded Neoprene gasket



INTERNAL/Approved (2019-03-22 11:59:48)

Self-tapping screws

Title	Dimension	Diameter Cover Rose	Drive	Color	PU Piece	Article No.
Spengler screw	4.5 x 25 mm	15 mm	TX 20	RAL 8014, Sephia brown	250	037170*
Spengler screw	4.5 x 25 mm	15 mm	TX 20	RAL 6005, Moss green	250	041191*
Spengler screw	4.5 x 25 mm	15 mm	TX 20	RAL 3009, Oxid red	250	037220*
Spengler screw	4.5 x 25 mm	15 mm	TX 20	RAL 7005, Mouse grey	250	060985*
Spengler screw	4.5 x 25 mm	15 mm	TX 20	RAL 7016, Anthracite / grey	250	037164
Spengler screw	4.5 x 25 mm	15 mm	TX 20	RAL 8011, Nut brown	250	060978*
Spengler screw	4.5 x 25 mm	15 mm	TX 20	Zinc grey	250	060990*
Spengler screw	4.5 x 25 mm	15 mm	TX 20	RAL 9010, Purely white	250	037161*
Spengler screw	4.5 x 35 mm	15 mm	TX 20	RAL 8014, Sephia brown	250	037171
Spengler screw	4.5 x 35 mm	15 mm	TX 20	RAL 8004, Copper brown	250	037218*
Spengler screw	4.5 x 35 mm	15 mm	TX 20	RAL 6005, Moss green	250	041192*
Spengler screw	4.5 x 35 mm	15 mm	TX 20	RAL 3009, Oxid red	250	037221*
Spengler screw	4.5 x 35 mm	15 mm	TX 20	RAL 7005, Mouse grey	250	060986*
Spengler screw	4.5 x 35 mm	15 mm	TX 20	RAL 7016, Anthracite / grey	250	037165
Spengler screw	4.5 x 35 mm	15 mm	TX 20	RAL 8011, Nut brown	250	060979
Spengler screw	4.5 x 35 mm	15 mm	TX 20	Zinc grey	250	060991*
Spengler screw	4.5 x 35 mm	15 mm	TX 20	RAL 9010, Purely white	250	037162
Spengler screw	4.5 x 45 mm	15 mm	TX 20	RAL 8014, Sephia brown	250	037172*
Spengler screw	4.5 x 45 mm	15 mm	TX 20	RAL 8004, Copper brown	250	037219*
Spengler screw	4.5 x 45 mm	15 mm	TX 20	RAL 6005, Moss green	250	041193*
Spengler screw	4.5 x 45 mm	15 mm	TX 20	RAL 3009, Oxid red	250	037222*
Spengler screw	4.5 x 45 mm	15 mm	TX 20	RAL 7005, Mouse grey	250	060987*
Spengler screw	4.5 x 45 mm	15 mm	TX 20	RAL 7016, Anthracite / grey	250	037166
Spengler screw	4.5 x 45 mm	15 mm	TX 20	RAL 8011, Nut brown	250	060980*
Spengler screw	4.5 x 45 mm	15 mm	TX 20	Zinc grey	250	060992*
Spengler screw	4.5 x 45 mm	15 mm	TX 20	RAL 9010, Purely white	250	037163*
Spengler screw	4.5 x 60 mm	15 mm	TX 20	RAL 3009, Oxid red	250	060982*
Spengler screw	4.5 x 60 mm	15 mm	TX 20	RAL 6005, Moss green	250	060989*
Spengler screw	4.5 x 60 mm	15 mm	TX 20	RAL 7005, Mouse grey	250	060988*
Spengler screw	4.5 x 60 mm	15 mm	TX 20	RAL 7016, Anthracite / grey	250	060976
Spengler screw	4.5 x 60 mm	15 mm	TX 20	RAL 8004, Copper brown	250	060977*
Spengler screw	4.5 x 60 mm	15 mm	TX 20	RAL 8011, Nut brown	250	060981*

INTERNAL/Approved (2019-03-22 12:00:08)

Self-tapping screws

1

Title	Dimension	Diameter Cover Rose	Drive	Color	PU Piece	Article No.
Spengler screw	4.5 x 60 mm	15 mm	TX 20	RAL 8014, Sephia brown	250	060984*
Spengler screw	4.5 x 60 mm	15 mm	TX 20	RAL 9010, Purely white	250	060983*
Spengler screw	4.5 x 60 mm	15 mm	TX 20	Zinc grey	250	060993*

* = The delivery time is 30 days

AGR: 00.573

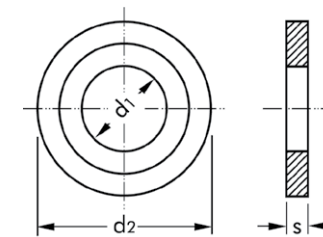
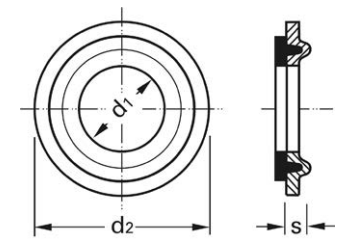
Sealing washers, sunked, stainless steel A2/ neoprene

Application Area

- Sealing of screw connections, which are permanently corrosion-resistant, weather-resistant, air-and waterproof

Characteristics

- With vulcanized neoprene sealing



Sealing washers, sunked, stainless steel A2/neoprene

Title	For screw Ø	Internal Ø	External Ø	Height	PU Piece	Article No.
Sealing washer	4.5	4.5 mm	15 mm	3 mm	500	003020*
Sealing washer	4.5	4.5 mm	20 mm	4 mm	500	003021

* = The delivery time is 30 days

AGR: 01.266

1

Window Screw TST TX stainless steel

- TX drive for optimum power transmission and good fit of the screw on the bit
- Cap head allows absorption of cover caps of which the colour is matched with the window sill
- Rot-proof nylon washer (Ø12 mm/strength 2 mm) ensures a flexible adjustment of the sill to the cordon
- Stainless steel, prevents from rust lanes or rusting screw heads - contact corrosion can be excluded

Application Area

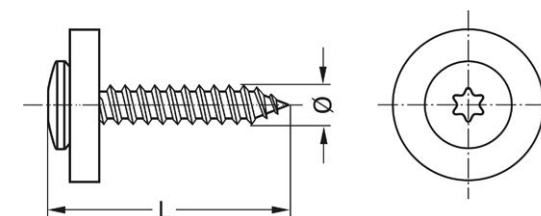
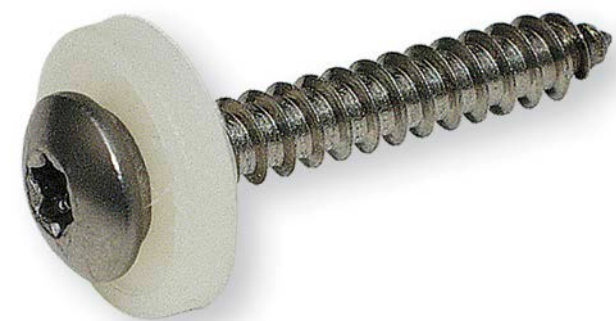
- Special screws for the mounting of aluminum or plastic window sills on aluminum, wood and plastic windows

Characteristics

- Version/finishing:
- NB = natural blank with transparent nylon washer
- AD = old German coppered with dark brown nylon washer
- Thread forms:
- BSG = tapping screw thread for windows made of aluminum, plastic and hardwood

Technical Data

Type, Screw	Window-sill screw
Material	Stainless Steel A2
Head shape	Raised countersunk head



Title	Dimension	Drive	PU Piece	Article No.
WIN.SILL SR.TSTTX15 3.9X19A2AD	3.9 x 19 mm	TX 15	1000	163207
WIN.SILL SR.TSTTX15 3.9X19A2NB	3.9 x 19 mm	TX 15	1000	163210
WIN.SILL SR.TSTTX15 3.9X25A2AD	3.9 x 25 mm	TX 15	800	163208
WIN.SILL SR.TSTTX15 3.9X25A2NB	3.9 x 25 mm	TX 15	800	163211

AGR: 00.351

FBS, Coarse thread, TX, martensitic Stainless steel A2, White lacquered RAL 9010

- Lid cap allows for a cap
- The martensitic variant has a 60% higher breaking torque with a similar corrosion behavior compared to the stainless steel A2 variant
- The martensitic variant is magnetic, so the screw can be held by a magnetic bit holder

Application Area

- Fastening of window sills to aluminum, wood and plastic windows

Processing Information

- In tannic wood (eg oak) do not work with martensitic stainless steel or A2 screws, the use of stainless steel A4 is required

Hints

- Nylon disc Ø 12 mm, thickness 2 mm
- Natural plain (NB) with transparent nylon disc
- Old German copper plated (AD) with dark brown nylon disc
- White lacquered with white nylon disc

Technical Data

Type, Screw	Window-sill screw
Material	Stainless Steel A2
Head shape	Raised countersunk head



1

Title	Dimension	Drive	PU Piece	Article No.
WIN.SILLSCR.A2WHITE3,9X25TXGW	3.9 x 25 mm	TX 15	600	001578*

* = The delivery time is 30 days
 AGR: 00.352

INTERNAL/Approved (2019-03-22 12:00:58)

Covering Caps



1

- Lid cap allows for a cap
- The martensitic variant has a 60% higher breaking torque with a similar corrosion behavior compared to the stainless steel A2 variant
- The martensitic variant is magnetic, so the screw can be held by a magnetic bit holder

Application Area

- Fastening of window sills to aluminum, wood and plastic windows

Processing Information

- In tannic wood (eg oak) do not work with martensitic stainless steel or A2 screws, the use of stainless steel A4 is required

Hints

- Nylon disc Ø 12 mm, thickness 2 mm
- Natural plain (NB) with transparent nylon disc
- Old German copper plated (AD) with dark brown nylon disc
- White lacquered with white nylon disc

Title	Color	PU Piece	Article No.
COVER ANTRACITE RAL 7016	RAL 7016, Anthracite / grey	100	210294
CAP RAISED HEAD 12X7X4,2 BLACK	RAL 9005, Jet black	100	217991
CAP F. FS BENCH.MOSS GREEN	RAL 6005, Moss green	100	162169
Covering caps for windowsill screws RAL 9010	RAL 9010, Purely white	100	101615
Covering caps for windowsill screws RAL 8012	RAL 8012, Red brown	100	101614
CAP F.WINDOW SILL SCREW, GREY	RAL 7001, Silver grey	100	101617

AGR: 00.906

Type A made of heat treatable steel

Application Area

- For screwing of trapezoidal metal sheets on wood and steel structures (steel up to max. 3.0 mm)

Characteristics

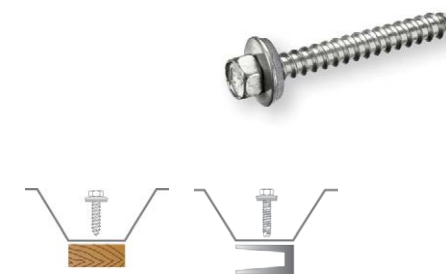
- Screw and sealing washer of zinc plated heat-treated steel, EPDM

Processing Information

- Must be predrilled according to the pilot hole table depending on the surface and material thickness

Scope Of Delivery

- Facade construction screw with mounted gasket (gasket consisting of vulcanized EPDM washer and seal)



Vorbohrtable Schraubentyp	Untergrund mm	Bohr-Ø mm
A	Holz	4,5
	Stahl 0,63	3,5
	Stahl 0,75	4,0
	Stahl 0,88 - 1,25	4,5
	Stahl 1,5 - 3,0	5,0
BZ	Stahl 1,25 - 1,5	5,0
	Stahl 2,0 - 4,0	5,3
	Stahl 4,0 - 6,0	5,5
	ab 7	5,7

Title	Dimension	Diameter sealing disc	Drive	PU Piece	Article No.
Facade wall screw Typ A	6.5 x 20 mm	16 mm	6KT	500	316555
Facade wall screw Typ A	6.5 x 25 mm	16 mm	6KT	500	316598
Facade wall screw Typ A	6.5 x 32 mm	16 mm	6KT	500	316660
Facade wall screw Typ A	6.5 x 38 mm	16 mm	6KT	500	316679
Facade wall screw Typ A	6.5 x 50 mm	16 mm	6KT	200	316687
Facade wall screw Typ A	6.5 x 65 mm	16 mm	6KT	200	316695
FBS BVS A W 16 6,5x75 3/8' ZP	6.5 x 75 mm	16 mm	6KT	200	810096
Facade wall screw Typ A	6.5 x 100 mm	16 mm	6KT	100	316768

AGR: 00.700

Accessories Available

	PU Piece	Article No.
Screw bit 3/8"	1	826585

INTERNAL/Approved (2019-03-22 12:01:06)

Type A made of stainless steel

1

Application Area

- For screwing of trapezoidal metal sheets on wood and steel structures (steel up to max. 3.0 mm)

Characteristics

- Screw and washer made of stainless steel A2, EPDM

Processing Information

- Must be predrilled according to the pilot hole table depending on the surface and Material thickness

Hints

- Building inspectorate authorized under approval Z-14.1-4 (for wooden structures) and Z-14.4-407 (for steel constructions)

Scope Of Delivery

- Facade construction screw with mounted gasket (gasket consisting of vulcanized EPDM washer and seal)



Vorbohrertabelle Schraubentyp	Untergrund mm	Bohr-Ø mm
A	Holz	4,5
	Stahl 0,63	3,5
	Stahl 0,75	4,0
	Stahl 0,88 - 1,25	4,5
	Stahl 1,5 - 3,0	5,0
BZ	Stahl 1,25 - 1,5	5,0
	Stahl 2,0 - 4,0	5,3
	Stahl 4,0 - 6,0	5,5
	ab 7	5,7

Title	Dimension	Diameter sealing disc	Drive	PU Piece	Article No.
Facade wall screw Typ A	6.5 x 20 mm	16 mm	6KT 8	500	315516
Facade wall screw Typ A	6.5 x 25 mm	16 mm	6KT 8	500	315524
Facade wall screw Typ A	6.5 x 32 mm	16 mm	6KT 8	500	315532
Facade wall screw Typ A	6.5 x 38 mm	16 mm	6KT 8	500	315540
Facade wall screw Typ A	6.5 x 50 mm	16 mm	6KT 8	200	315680
Facade wall screw Typ A	6.5 x 65 mm	16 mm	6KT 8	200	315699
FBS BX A W 16 6,5x75 3/8' A2	6.5 x 75 mm	16 mm	6KT 8	200	315770
Facade wall screw Typ A	6.5 x 100 mm	16 mm	6KT 8	100	315796

AGR: 00.700

Accessories Available

Screw bit 3/8"

PU
Piece

Article No.

1 826585

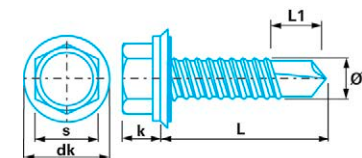
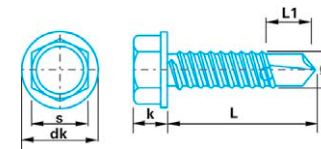
1

Drilling screws, hexagon head with flange, steel zinc plated with sealing washer

Technical Data

Material

Steel



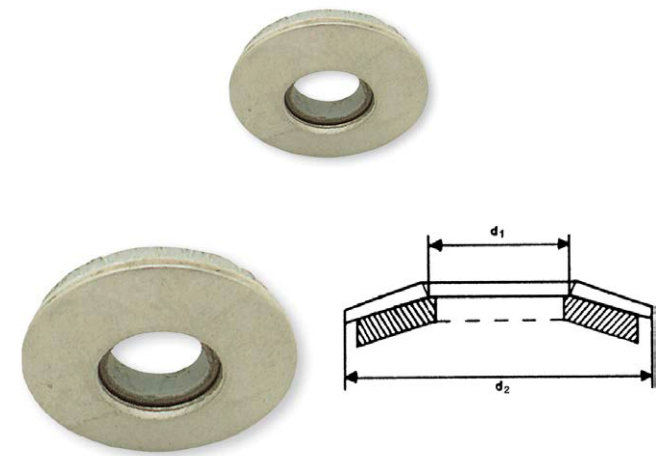
Title	Dimension	Thread length	Length Of The Drill Head Bl	Drilling range	Drive	Wrench Width	PU Piece	Article No.
DRILL-KWICK SEAL 1068 6.3X19	6.3 x 19 mm	7 mm	12 mm	2 - 6 mm	6KT	10 mm	500	829753
DRILL-KWICK SEAL 1068 6.3X25	6.3 x 25 mm	13 mm	12 mm	-	6KT	10 mm	500	829760
SCR.DIN7504K SEAL-WA.6,3X32 ZI	6.3 x 32 mm	20 mm	12 mm	2 - 6 mm	6KT	10 mm	250	083446
SCR.DIN7504K SEAL-WA.6,3X45 ZI	6.3 x 45 mm	33 mm	12 mm	2 - 6 mm	6KT	10 mm	250	083447
SCR.DIN7504K SEAL-WA.6,3X50 ZI	6.3 x 50 mm	38 mm	12 mm	2 - 6 mm	6KT	10 mm	250	083448

AGR: 00.721

INTERNAL/Approved (2019-03-22 12:01:26)

Sealing washers, steel zinc plated/neoprene

1



Sealing washers, steel zinc plated/neoprene

Title	Internal Ø	External Ø	PU Piece	Article No.
Sealing washer	6.5 mm	16 mm	250	083449

AGR: 01.266

DIN 7981, pan head, cross recess (PH), steel zinc plated

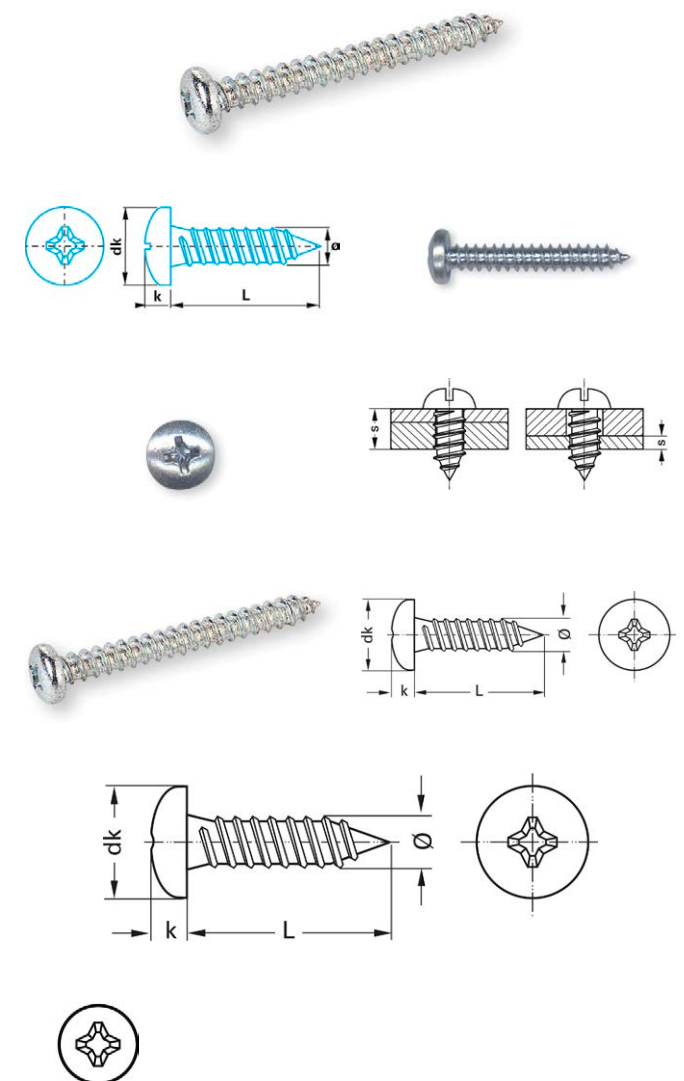
- Electro-plated version
- EN – ISO 7049, formerly DIN 7981
- Surface-hardened steel

Application Area

- For connecting wood with metal, sheet metal, metal structures, light fittings, plastic dashboards

Hints

- ~ ISO 7049
- Changes in ISO:
no serious changes



INTERNAL/Approved (2019-03-22 12:01:47)

Thread	2.9	3.5	3.9	4.2	4.8
Ø head	5.6 mm	6.9 mm	7.5 mm	8.2 mm	9.5 mm
Height Of Head (k)	1.95 mm	2.35 mm	2.55 mm	2.75 mm	3.25 mm
Thread	5.5	6.3			
Ø head	10.8 mm	12.5 mm			
Height Of Head (k)	3.65 mm	4.25 mm			

DIN 7981, pan head, cross recess (PH), steel zinc plated		
Dimensions	PU Piece	Article No.
2.9 x 6.5 mm	250	087696
2.9 x 9.5 mm	250	087700
2.9 x 13 mm	250	087718

DIN 7981, pan head, cross recess (PH), steel zinc plated		
Dimensions	PU Piece	Article No.
2.9 x 16 mm	250	087726
2.9 x 19 mm	250	087734
2.9 x 22 mm	250	087742

DIN 7981, pan head, cross recess (PH), steel zinc plated		
Dimensions	PU Piece	Article No.
2.9 x 25 mm	250	182044
2.9 x 32 mm	250	108104
3.5 x 6.5 mm	250	087750

Self-tapping screws

1

DIN 7981, pan head, cross recess (PH), steel zinc plated		
Dimensions	PU Piece	Article No.
3.5 x 9.5 mm	250	087769
3.5 x 13 mm	250	087777
3.5 x 16 mm	250	087785
3.5 x 19 mm	250	087793
3.5 x 22 mm	250	087807
3.5 x 25 mm	250	087815
3.5 x 32 mm	250	087823
3.5 x 38 mm	250	087831
3.5 x 50 mm	100	723485
3.9 x 6.5 mm	250	088307
3.9 x 9.5 mm	250	087840
3.9 x 13 mm	250	087858
3.9 x 16 mm	250	087866
3.9 x 19 mm	250	087874
3.9 x 22 mm	250	087882
3.9 x 25 mm	250	087890
3.9 x 32 mm	250	087904
3.9 x 38 mm	250	087912
3.9 x 45 mm	100	144369
4.2 x 9.5 mm	250	087920
4.2 x 13 mm	250	087939
4.2 x 16 mm	250	087947
4.2 x 19 mm	250	087955

DIN 7981, pan head, cross recess (PH), steel zinc plated		
Dimensions	PU Piece	Article No.
4.2 x 22 mm	250	087963
4.2 x 25 mm	250	087971
4.2 x 32 mm	250	087980
4.2 x 38 mm	250	087998
4.2 x 45 mm	100	088005
4.2 x 50 mm	100	070016
4.2 x 70 mm	100	108455
4.8 x 9.5 mm	250	088013
4.8 x 13 mm	250	088021
4.8 x 16 mm	250	088030
4.8 x 19 mm	250	088048
4.8 x 22 mm	250	088056
4.8 x 25 mm	250	088064
4.8 x 32 mm	250	088072
4.8 x 38 mm	250	088080
4.8 x 45 mm	100	088099
4.8 x 50 mm	100	088102
4.8 x 60 mm	100	723871
4.8 x 70 mm	100	535613
4.8 x 80 mm	100	535621
5.5 x 13 mm	100	088110
5.5 x 16 mm	100	088129
5.5 x 19 mm	100	088137

DIN 7981, pan head, cross recess (PH), steel zinc plated		
Dimensions	PU Piece	Article No.
5.5 x 22 mm	100	088145
5.5 x 25 mm	100	088153
5.5 x 32 mm	100	088161
5.5 x 38 mm	100	088170
5.5 x 45 mm	100	088188
5.5 x 50 mm	100	088196
6.3 x 13 mm	100	088200
6.3 x 16 mm	100	088218
6.3 x 19 mm	100	088226
6.3 x 22 mm	100	088234
6.3 x 25 mm	100	088242
6.3 x 32 mm	100	088250
6.3 x 38 mm	100	088269
6.3 x 45 mm	100	088277
6.3 x 50 mm	100	088285
6.3 x 60 mm	100	028116
6.3 x 80 mm	100	648299
6.3 x 90 mm	100	028119
6.3 x 100 mm	100	028120
6.3 x 120 mm	100	054043

AGR: 00.300

DIN 7981, pan head, cross recess (PH), steel black zinc plated

- Black chromated
- EN – ISO 7049, formerly DIN 7981



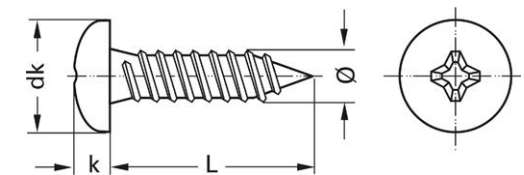
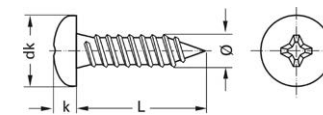
- Surface-hardened steel

Application Area

- For connecting wood with metal, sheet metal, metal structures, light fixings, plastic dashboards

Hints

- ~ ISO 7049
- Changes in ISO:
no serious changes



Thread	2.9	3.5	3.9	4.2	4.8
Ø head	5.6 mm	6.9 mm	7.5 mm	8.2 mm	9.5 mm
Height Of Head (k)	1.95 mm	2.35 mm	2.55 mm	2.75 mm	3.25 mm

DIN 7981, pan head, cross recess (PH), steel black zinc plated

Dimensions	PU Piece	Article No.
------------	----------	-------------

2.9 x 9.5 mm	250	724424
2.9 x 13 mm	250	724432
3.5 x 9.5 mm	250	194743
3.5 x 13 mm	250	091189
3.5 x 16 mm	250	206520
3.5 x 19 mm	250	091197
3.5 x 22 mm	250	230448
3.9 x 9.5 mm	250	915511
3.9 x 13 mm	250	225800

DIN 7981, pan head, cross recess (PH), steel black zinc plated

Dimensions	PU Piece	Article No.
------------	----------	-------------

3.9 x 16 mm	250	161608
3.9 x 19 mm	250	225819
3.9 x 22 mm	250	225827
3.9 x 25 mm	250	403660
4.2 x 9.5 mm	250	194751
4.2 x 13 mm	250	225835
4.2 x 16 mm	250	091200
4.2 x 19 mm	250	091219
4.2 x 22 mm	250	225843

DIN 7981, pan head, cross recess (PH), steel black zinc plated

Dimensions	PU Piece	Article No.
------------	----------	-------------

4.2 x 25 mm	250	225851
4.2 x 32 mm	250	091227
4.8 x 13 mm	250	206245
4.8 x 16 mm	250	150282
4.8 x 19 mm	250	206261
4.8 x 22 mm	250	206512
4.8 x 25 mm	250	504386

AGR: 00.301

Self-tapping screws

1 DIN 7981, pan head, cross recess (PH), stainless steel A2

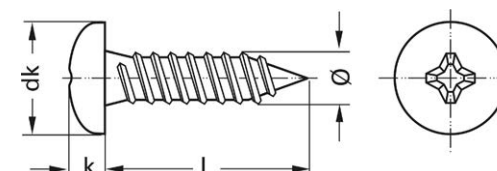
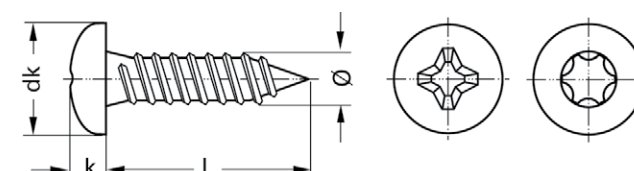
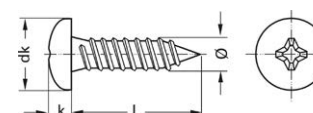
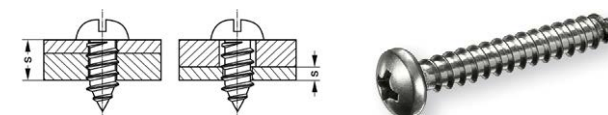
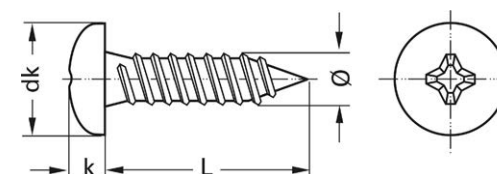
- Stainless steel version: A2
- EN – ISO 7049, DIN 7981

Application Area

- For connecting wood with metal, sheet metal, metal structures, light fixings, window and door manufacturing. Suitable for outdoor applications and in wet rooms

Hints

- ~ ISO 7049
- Changes in ISO:
no serious changes





Thread	2.2	2.9	3.5	3.9	4.2
Ø head	4.2 mm	5.6 mm	6.9 mm	7.5 mm	8.2 mm
Height Of Head (k)	1.8 mm	1.95 mm	2.6 mm	2.55 mm	2.75 mm
Thread	4.8	5.5	6.3		
Ø head	9.5 mm	10.8 mm	12.5 mm		
Height Of Head (k)	3.25 mm	3.95 mm	4.55 mm		

DIN 7981, pan head, cross recess (PH), stainless steel A2

Dimensions	PU Piece	Article No.
2.2 x 6.5 mm	1000	096294*
2.2 x 9.5 mm	1000	096295*
2.2 x 13 mm	1000	096297*
2.2 x 16 mm	1000	096298*
2.2 x 19 mm	1000	096299*
2.2 x 22 mm	1000	096300*
2.2 x 25 mm	1000	096301*
2.9 x 6.5 mm	1000	932326
2.9 x 9.5 mm	250	913513
2.9 x 13 mm	250	913514
2.9 x 16 mm	250	519227
2.9 x 19 mm	250	913516
2.9 x 22 mm	1000	913517*
2.9 x 25 mm	1000	913518*
3.5 x 6.5 mm	250	932327
3.5 x 9.5 mm	250	152323
3.5 x 13 mm	250	206695
3.5 x 16 mm	250	225525
3.5 x 19 mm	250	239690
3.5 x 22 mm	1000	225517*
3.5 x 25 mm	1000	028142
3.5 x 32 mm	1000	028193

DIN 7981, pan head, cross recess (PH), stainless steel A2

Dimensions	PU Piece	Article No.
3.5 x 38 mm	1000	020895
3.5 x 45 mm	500	096302*
3.5 x 50 mm	500	096303*
3.5 x 70 mm	500	096304*
3.9 x 9.5 mm	250	239704
3.9 x 13 mm	250	239712
3.9 x 16 mm	250	239119
3.9 x 19 mm	250	239127
3.9 x 22 mm	250	239135
3.9 x 25 mm	250	239143
3.9 x 32 mm	250	239151
3.9 x 38 mm	250	028215
3.9 x 45 mm	500	096305
3.9 x 50 mm	500	096306*
3.9 x 60 mm	500	096307*
3.9 x 70 mm	500	096308*
4.2 x 9.5 mm	250	239720
4.2 x 13 mm	250	239739
4.2 x 16 mm	250	225495
4.2 x 19 mm	250	239178
4.2 x 22 mm	250	225487
4.2 x 25 mm	250	239194

DIN 7981, pan head, cross recess (PH), stainless steel A2

Dimensions	PU Piece	Article No.
4.2 x 32 mm	250	239208
4.2 x 38 mm	250	225479
4.2 x 45 mm	100	028266
4.2 x 50 mm	100	028274
4.2 x 70 mm	200	096309*
4.2 x 80 mm	200	096310*
4.8 x 13 mm	250	126160
4.8 x 16 mm	250	239216
4.8 x 19 mm	250	239224
4.8 x 22 mm	250	239232
4.8 x 25 mm	250	239240
4.8 x 32 mm	250	239259
4.8 x 38 mm	250	239267
4.8 x 45 mm	100	028312
4.8 x 50 mm	100	268470
4.8 x 55 mm	200	096311*
4.8 x 60 mm	100	428744
4.8 x 70 mm	100	724861
4.8 x 80 mm	100	538086
4.8 x 90 mm	200	096312*
4.8 x 100 mm	200	096313*
4.8 x 120 mm	200	096314*

INTERNAL/Approved (2019-03-22 12:04:43)

Self-tapping screws

1

DIN 7981, pan head, cross recess (PH), stainless steel A2		
Dimensions	PU Piece	Article No.
5.5 x 13 mm	250	880686
5.5 x 16 mm	1000	910189
5.5 x 19 mm	1000	724138
5.5 x 22 mm	1000	724139*
5.5 x 32 mm	500	910190
5.5 x 38 mm	500	910201
5.5 x 42 mm	500	096315*
5.5 x 45 mm	200	724140
5.5 x 50 mm	200	006634
5.5 x 55 mm	200	096316*
5.5 x 60 mm	200	106546

DIN 7981, pan head, cross recess (PH), stainless steel A2		
Dimensions	PU Piece	Article No.
5.5 x 70 mm	200	106547
5.5 x 80 mm	200	105443
5.5 x 90 mm	200	096317*
5.5 x 100 mm	200	096318*
5.5 x 120 mm	200	096319*
6.3 x 13 mm	500	014317*
6.3 x 16 mm	500	930379*
6.3 x 19 mm	500	901340
6.3 x 22 mm	500	910194*
6.3 x 25 mm	200	724908
6.3 x 32 mm	200	910195

DIN 7981, pan head, cross recess (PH), stainless steel A2		
Dimensions	PU Piece	Article No.
6.3 x 38 mm	200	932329
6.3 x 45 mm	200	932330
6.3 x 50 mm	200	932331
6.3 x 60 mm	200	014353
6.3 x 70 mm	200	096320
6.3 x 80 mm	200	014441
6.3 x 90 mm	200	014529*
6.3 x 100 mm	200	096321*

* = The delivery time is 14 days
AGR: 00.302

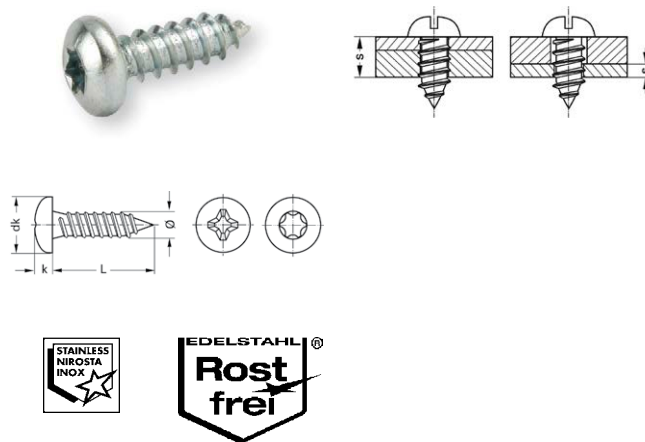
similar DIN 7981, pan head, TX, stainless steel A2

Application Area

- Screwing of sheets, metals and plastics

Hints

- The maximum thickness of the material can be enhanced by pre-drilling with drilling diameter = thread diameter (see figure)
- ~ ISO 7049
- Changes in ISO:
no serious changes



Thread	2.2	2.9	3.5	3.9	4.2
Ø head	4.2 mm	5.6 mm	6.9 mm	7.5 mm	8.2 mm
Height Of Head (k)	1.8 mm	2.2 mm	2.6 mm	2.8 mm	3.05 mm
Thread	4.8	5.5	6.3		
Ø head	9.5 mm	10.8 mm	12.5 mm		
Height Of Head (k)	3.55 mm	3.95 mm	4.55 mm		

Self-tapping screws

1

similar DIN 7981, pan head, TX, stainless steel A2		
Dimensions	PU Piece	Article No.
2.2 x 6.5 mm	1000	096322*
2.2 x 9.5 mm	1000	096323
2.2 x 13 mm	1000	096324*
2.2 x 16 mm	1000	096325*
2.2 x 19 mm	1000	096326*
2.2 x 22 mm	1000	096327*
2.2 x 25 mm	1000	096328*
2.9 x 6.5 mm	1000	096329
2.9 x 9.5 mm	1000	018248*
2.9 x 13 mm	1000	018250
2.9 x 16 mm	1000	018251
2.9 x 19 mm	1000	018253
2.9 x 22 mm	1000	096331*
2.9 x 25 mm	1000	096333*
2.9 x 32 mm	1000	096335*
3.5 x 6.5 mm	1000	018254
3.5 x 16 mm	1000	018257
3.5 x 19 mm	1000	018258
3.5 x 22 mm	1000	096336
3.5 x 25 mm	1000	096337
3.5 x 32 mm	1000	096338
3.5 x 38 mm	1000	096339*
3.5 x 45 mm	500	096340*

similar DIN 7981, pan head, TX, stainless steel A2		
Dimensions	PU Piece	Article No.
3.5 x 50 mm	500	096341*
3.9 x 6.5 mm	1000	096343
3.9 x 16 mm	1000	018262
3.9 x 22 mm	1000	018264
3.9 x 25 mm	1000	018265
3.9 x 32 mm	1000	018266
3.9 x 38 mm	500	018267
3.9 x 45 mm	500	096344
3.9 x 50 mm	500	096345
3.9 x 60 mm	500	096346*
4.2 x 19 mm	1000	018271
4.2 x 25 mm	1000	169692
4.2 x 38 mm	500	018274
4.2 x 50 mm	200	018276*
4.2 x 60 mm	200	096347*
4.8 x 9.5 mm	1000	096348
4.8 x 13 mm	1000	169693
4.8 x 22 mm	1000	018278
4.8 x 32 mm	500	018280
5.5 x 13 mm	1000	096349
5.5 x 16 mm	1000	096351
5.5 x 19 mm	1000	096352
5.5 x 22 mm	1000	096353*

similar DIN 7981, pan head, TX, stainless steel A2		
Dimensions	PU Piece	Article No.
5.5 x 25 mm	500	096354
5.5 x 32 mm	500	096355
5.5 x 38 mm	500	096356
5.5 x 45 mm	200	096357*
5.5 x 50 mm	200	096358*
5.5 x 60 mm	200	096359*
5.5 x 70 mm	200	096360*
5.5 x 80 mm	200	096361*
6.3 x 13 mm	500	096362*
6.3 x 16 mm	500	096363*
6.3 x 19 mm	500	096364
6.3 x 22 mm	500	096365
6.3 x 25 mm	200	096366
6.3 x 32 mm	200	096367
6.3 x 38 mm	200	096368
6.3 x 45 mm	200	096369
6.3 x 50 mm	200	096370
6.3 x 60 mm	200	096371*
6.3 x 70 mm	200	096372*
6.3 x 80 mm	200	096373*

* = The delivery time is 14 days
AGR: 00.302

INTERNAL/Approved (2019-03-22 12:05:27)

Self-tapping screws

1 Tapping screws, cheese head, internal hexagon, steel zinc plated



Thread	4.8	5.5
Ø head	10 mm	13 mm
Height Of Head (k)	6 mm	8 mm
Wrench Width	5 mm	6 mm

Tapping screws, cheese head, internal hexagon, steel zinc plated		
Dimensions	PU Piece	Article No.
4.8 x 19 mm	1000	076213
4.8 x 25 mm	1000	076214
4.8 x 32 mm	1000	076215

Tapping screws, cheese head, internal hexagon, steel zinc plated		
Dimensions	PU Piece	Article No.
4.8 x 38 mm	1000	076216
5.5 x 25 mm	500	076218
5.5 x 32 mm	500	076219

AGR: 00.329

DIN 7976, hexagon, steel zinc plated

Application Area

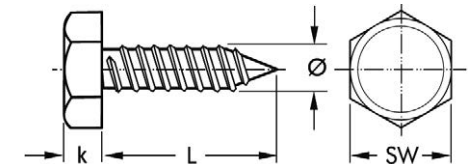
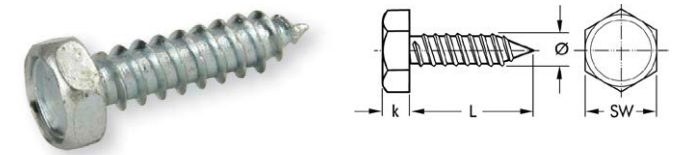
- Screwing of sheets, metals and plastics

Characteristics

- Hexagon drive, galvanized

Hints

- ~ ISO 1479
- Changes in ISO:
minor differences in head height (k)



Thread	4.8	6.3	8
Height Of Head (k)	2.8 mm	4.8 mm	5.8 mm
Wrench Width	8 mm	10 mm	13 mm

DIN 7976, hexagon, steel zinc plated		
Dimensions	PU Piece	Article No.
4.8 x 16 mm	100	089648
4.8 x 19 mm	100	089656
4.8 x 25 mm	100	089672
6.3 x 16 mm	100	089770

DIN 7976, hexagon, steel zinc plated		
Dimensions	PU Piece	Article No.
6.3 x 19 mm	100	089788
6.3 x 22 mm	100	089796
6.3 x 25 mm	100	089800
6.3 x 32 mm	100	089818

DIN 7976, hexagon, steel zinc plated		
Dimensions	PU Piece	Article No.
8 x 19 mm	100	089834
8 x 22 mm	100	089842
8 x 25 mm	100	089850

AGR: 00.320

DIN 968, pan head with flange, cross recess (PH), steel black zinc plated

- Black chromated finish
- Pan head flange for added tension
- Surface-hardened steel

Application Area

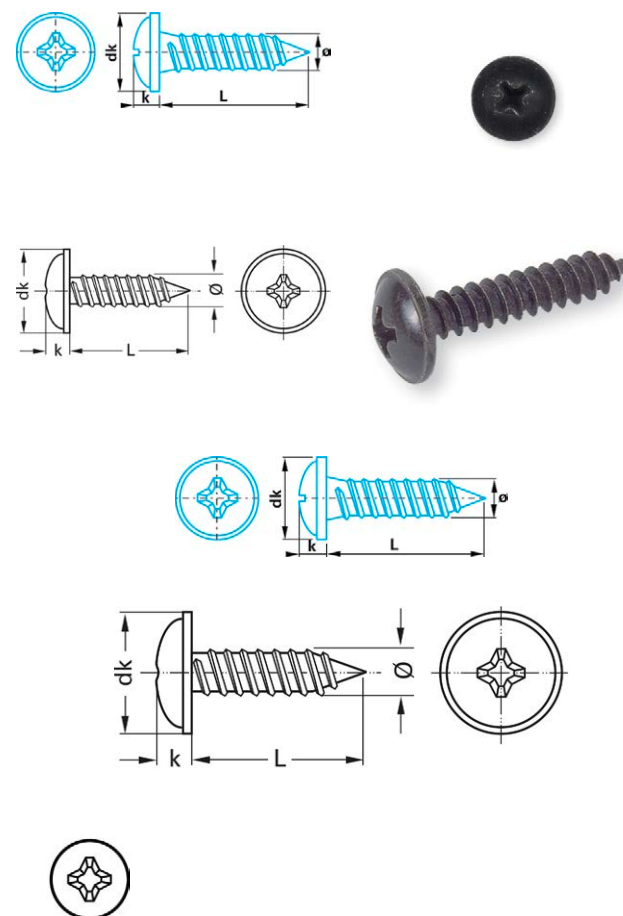
- For connecting wood with metal, sheet metal, metal structures, light fixings, plastic dashboards



Self-tapping screws

Characteristics

- PH black galvanized



Thread	3.5	3.9	4.2	4.8
Ø head	9 mm	10 mm	10 mm	11.5 mm
Height Of Head (k)	2.6 mm	2.8 mm	3.05 mm	3.55 mm

DIN 968, pan head with flange, cross recess (PH), steel black zinc plated

Dimensions	PU Piece	Article No.
3.5 x 13 mm	100/250	173371
3.5 x 16 mm	100/250	173380
3.5 x 19 mm	100/250	173398
3.5 x 22 mm	100/250	173401
3.9 x 9.5 mm	100/250	173410
3.9 x 13 mm	100/250	173428
3.9 x 16 mm	100/250	173444

DIN 968, pan head with flange, cross recess (PH), steel black zinc plated

Dimensions	PU Piece	Article No.
3.9 x 19 mm	100/250	173452
3.9 x 22 mm	100/250	173479
4.2 x 9.5 mm	100/250	173495
4.2 x 13 mm	100/250	173517
4.2 x 16 mm	100/250	173525
4.2 x 19 mm	100/250	173533
4.2 x 22 mm	100/250	173541

DIN 968, pan head with flange, cross recess (PH), steel black zinc plated

Dimensions	PU Piece	Article No.
4.2 x 25 mm	100	632554
4.8 x 13 mm	100/250	173550
4.8 x 16 mm	100/250	173576
4.8 x 19 mm	100/250	173614
4.8 x 22 mm	100/250	173622
4.8 x 25 mm	100	632562

AGR: 00.308

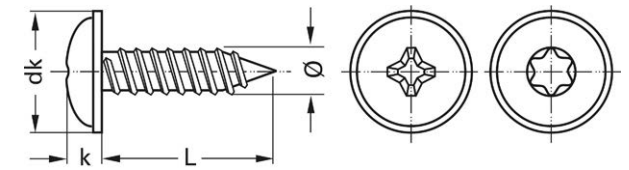
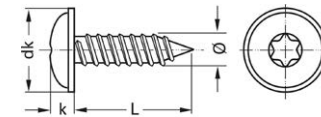
similar DIN 968, pan head with flange, TX, steel black zinc plated

Application Area

- Attachment of soft materials in the vehicle interior, for example, fittings, interior trims, vehicle seats

Characteristics

- TX black galvanized



Thread	3.5	3.9	4.2	4.8	M 3.9
Ø head	9 mm	10 mm	10 mm	11.5 mm	10 mm
Height Of Head (k)	2.6 mm	2.8 mm	3.05 mm	3.55 mm	2.8 mm

similar DIN 968, pan head with flange, TX, steel black zinc plated		
Dimensions	PU Piece	Article No.
3.5 x 16 mm	100	106516
3.5 x 19 mm	100	106517
3.9 x 16 mm	100	106519
3.9 x 19 mm	100	106520

similar DIN 968, pan head with flange, TX, steel black zinc plated		
Dimensions	PU Piece	Article No.
4.2 x 16 mm	100	106521
4.2 x 19 mm	100	106522
4.2 x 25 mm	100	106523
4.8 x 16 mm	100	106524

similar DIN 968, pan head with flange, TX, steel black zinc plated		
Dimensions	PU Piece	Article No.
4.8 x 22 mm	100	106525

AGR: 00.305

Self-tapping screws

1

License plate tapping screws, cap-head, cross recess (PH), steel zinc plated, complete

Characteristics

- Self-tapping screws according to DIN 7981 zinc-plated, cover caps (optional), drive PH 2



Title	Dimension	Color	PU Piece	Article No.
CAP SCREW 4.8X 19 WH 7981 ZP	4.8 x 19 mm	White	100	890777
CAP SCREW 5.6X 16 BL 7981 ZP	4.8 x 19 mm	black	100	503614
License Plate Self-Tapping Screw	5.6 x 16 mm	black	100	083968
License Plate Self-Tapping Screw	5.6 x 19 mm	White	100	083933

AGR: 00.910

License plate drilling screws, pan head with flange, cross recess (PH), steel black zinc plated

- No pre-drilling of the sheets
- Universally useable

Title	Dimension	PU Piece	Article No.
SELFCUT TAPPING SCREW 5X18	5 x 18 mm	100	184118

AGR: 00.305



Distance washers for metric license plate screws, plastic

Processing Information

- Suitable for number plate screws NSKM



Distance washers for metric license plate screws, plastic

Title	Internal Ø	External Ø	Thickness material	Color	PU Piece	Article No.
Distance washer	6.3 mm	18 mm	6.2 mm	black	100	014680

AGR: 00.919

Drilling screws, flat round head with flange, cross recess (PH), steel black Ruspert coated

- No out-of-center drilling required thus the mounting costs can be reduced by up to 50 %



Self-tapping screws

1

- Large contact surface reduces the risk of breakage of plastic materials

Application Area

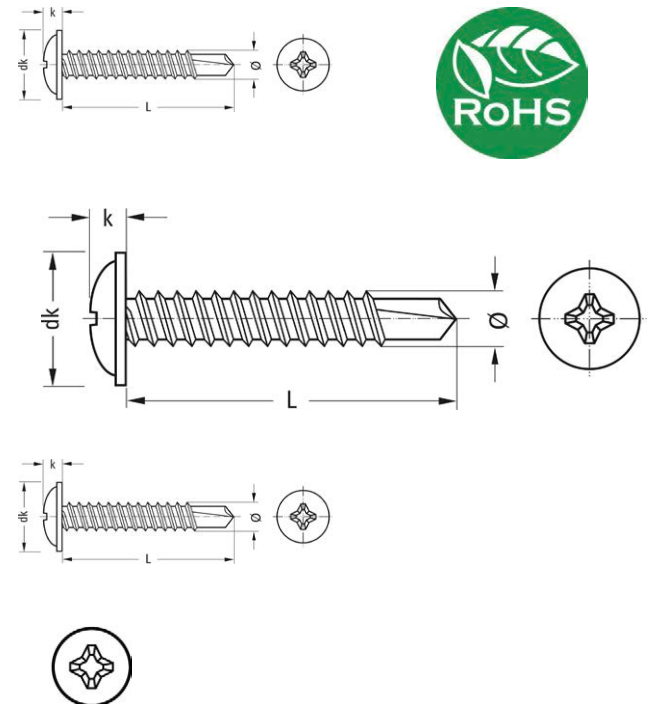
- Fixing of license plate holders

Characteristics

- Steel, black Ruspert-coated

Technical Data

Norms	-
Material	Steel



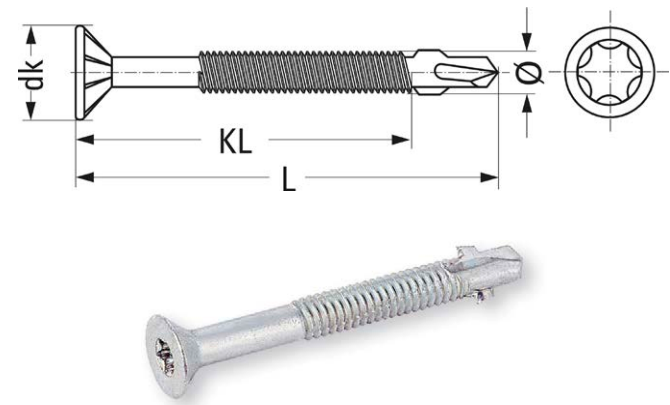
Ø mm	4,8
dk mm	12.5
k mm	3.0
PH	2
min./max. material thickness mm	1.75 - 4,40
Processing speed 1/min	1800 - 2500
Contact pressure N	approx. 250

Title	Dimension	Drive	PU Piece	Article No.
Drilling Screw	4.8 x 16 mm	PH 2	100	052899
Drilling Screw	4.8 x 19 mm	PH 2	100	052900
Drilling Screw	4.8 x 25 mm	PH 2	100	052901

AGR: 00.339

Countersunk with Milling Ribs, UNC Fine Thread

- Drilling, tapping and screwing in one operation, thus saving up to 50% possible
- No additional forcible feedthrough, thus easier processing compared to normal drilling screws
- Tip automatically drills an exact fitting hole and threads are automatically formed



INTERNAL/Approved (2019-03-22 12:07:05)

Application Area

- Fixing of hard and soft wood on steel substructures



Characteristics

- TX-drive, galvanized steel, hardened insert

Processing Information

- Use machines with depth stop, slip or automatic cut-off
Please observe the indicated processing speeds
Galvanized screws are not permanently resistant to corrosion in outdoor areas and in damp areas
The suitability of drill screws with flare blades must be tested for each application by suitable preliminary tests

Title	Dimension	Drive	Ø head	Surface protection	Processing speed	Clamping Length, Maximum	PU Piece	Article No.
DR.SCR.WINGS W.RH UNC 6.3X45ZP	6.3 x 45 mm	TX 30	12 mm	zinc plated	1000 - 1800 r/min	29 mm	100	147589
DR.SCR.WINGS W.RH UNC 6.3X50ZP	6.3 x 50 mm	TX 30	12 mm	zinc plated	1000 - 1800 r/min	34 mm	100	023619
DR.SCR.WINGS W.RH UNC 6.3X60ZP	6.3 x 60 mm	TX 30	12 mm	zinc plated	1000 - 1800 r/min	44 mm	100	570036
DR.SCR.WINGS W.RH UNC 6.3X70ZP	6.3 x 70 mm	TX 30	12 mm	zinc plated	1000 - 1800 r/min	54 mm	100	023618
DR.SCR.WINGS W.RH UNC 6.3X80ZP	6.3 x 80 mm	TX 30	12 mm	zinc plated	1000 - 1800 r/min	64 mm	100	147593

AGR: 00.343

1

DIN 7982, countersunk head, cross recess (PH), steel zinc plated

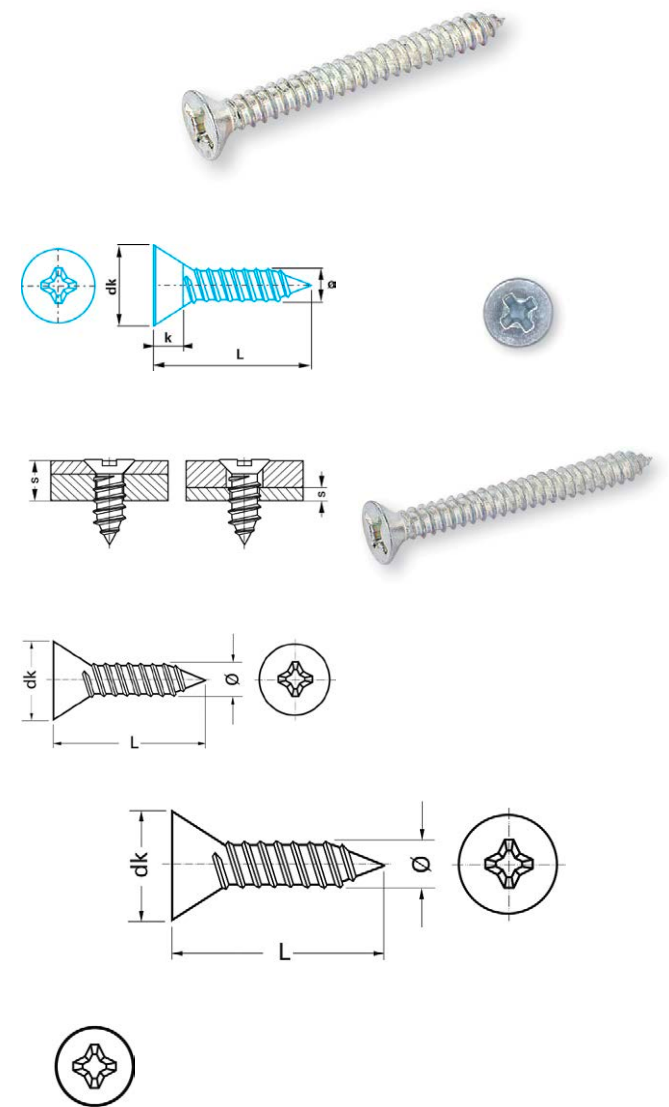
- Electro-plated finish
- EN – ISO 7050, formerly DIN 7982
- Surface-hardened steel

Application Area

- For connecting wood with metal, sheet metal, metal structures, light fixings, plastic dashboards

Hints

- ~ ISO 7050
- Changes in ISO:
changed countersunk angle (DIN = 80°; ISO = 90°)
minor differences in head height (k) and head diameter (dk)



Thread	2.9	3.5	3.9	4.2	4.8
Ø head	5.5 mm	7.3 mm	7.5 mm	8.4 mm	9.5 mm
Height Of Head (k)	1.7 mm	2.1 mm	2.3 mm	2.5 mm	3 mm
Thread	5.5	6.3			
Ø head	10.5 mm	11.3 mm			
Height Of Head (k)	3.4 mm	3.8 mm			

DIN 7982, countersunk head, cross recess (PH), steel zinc plated		
Dimensions	PU Piece	Article No.
2.9 x 6.5 mm	250	088315

DIN 7982, countersunk head, cross recess (PH), steel zinc plated		
Dimensions	PU Piece	Article No.
2.9 x 9.5 mm	250	088323

DIN 7982, countersunk head, cross recess (PH), steel zinc plated		
Dimensions	PU Piece	Article No.
2.9 x 13 mm	250	088331

DIN 7982, countersunk head, cross recess (PH), steel zinc plated		
Dimensions	PU Piece	Article No.
2.9 x 16 mm	250	088340
2.9 x 19 mm	250	088358
3.5 x 9.5 mm	250	088404
3.5 x 13 mm	250	088412
3.5 x 16 mm	250	088420
3.5 x 19 mm	250	088439
3.5 x 22 mm	250	088447
3.5 x 25 mm	250	088455
3.5 x 32 mm	250	088463
3.5 x 38 mm	250	088471
3.9 x 9.5 mm	250	088480
3.9 x 13 mm	250	088498
3.9 x 16 mm	250	088501
3.9 x 19 mm	250	088510
3.9 x 22 mm	250	088528

DIN 7982, countersunk head, cross recess (PH), steel zinc plated		
Dimensions	PU Piece	Article No.
3.9 x 25 mm	250	088536
3.9 x 32 mm	250	088544
3.9 x 38 mm	250	088552
4.2 x 13 mm	250	088579
4.2 x 16 mm	250	088587
4.2 x 19 mm	250	088595
4.2 x 22 mm	250	088609
4.2 x 25 mm	250	088617
4.2 x 32 mm	250	088625
4.2 x 38 mm	250	088633
4.2 x 45 mm	100	088641
4.2 x 50 mm	100	088650
4.8 x 13 mm	250	088668
4.8 x 16 mm	250	088676
4.8 x 19 mm	250	088684

DIN 7982, countersunk head, cross recess (PH), steel zinc plated		
Dimensions	PU Piece	Article No.
4.8 x 22 mm	250	088692
4.8 x 25 mm	250	088706
4.8 x 32 mm	250	088714
4.8 x 38 mm	250	088722
4.8 x 45 mm	100	088730
4.8 x 50 mm	100	088749
4.8 x 60 mm	100	535753
5.5 x 16 mm	100	088765
5.5 x 25 mm	100	088790
5.5 x 32 mm	100	088803
5.5 x 38 mm	100	088811
5.5 x 45 mm	100	088820
5.5 x 50 mm	100	088838
6.3 x 38 mm	100	088900

AGR: 00.310

DIN 7982, countersunk head, cross recess (PH), stainless steel A2

- Stainless steel version: A2
- EN – ISO 7050, DIN 7982

Application Area

- For connecting wood with metal, sheet metal, metal structures, light fixings, window and door manufacturing. Suitable for outdoor applications and in wet rooms

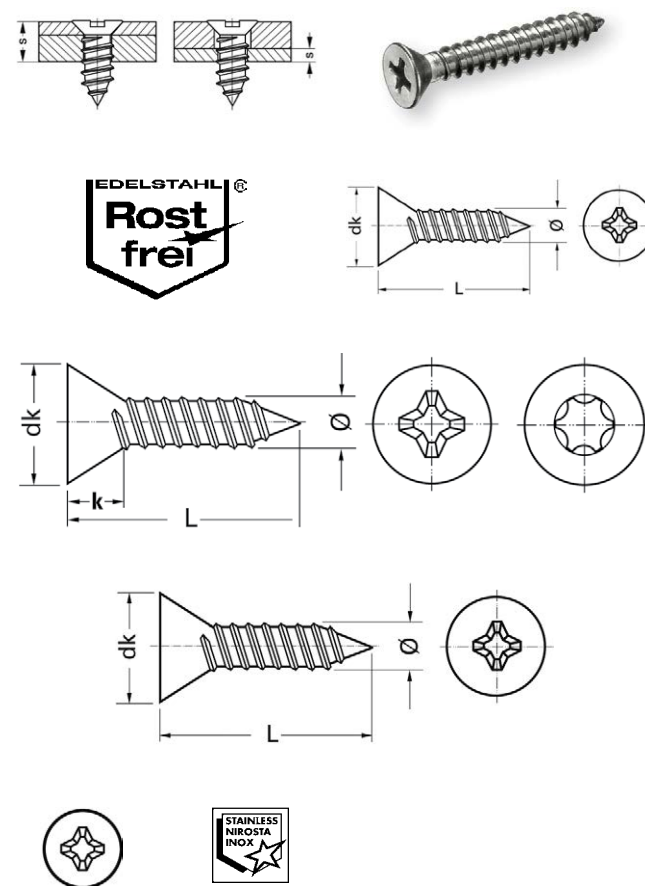
Hints

- ~ ISO 7050
- Changes in ISO:
 - changed countersunk angle (DIN = 80°; ISO = 90°)
 - minor differences in head height (k) and head diameter (dk)



Self-tapping screws

1



Thread	2.2	2.9	3.5	3.9	4.2
Ø head	4.3 mm	5.5 mm	6.8 mm	7.5 mm	8.4 mm
Height Of Head (k)	1.3 mm	1.7 mm	2.1 mm	2.3 mm	2.5 mm
Thread	4.8	5.5	6.3	M 2.9	
Ø head	9.5 mm	10.8 mm	12.4 mm	5.5 mm	
Height Of Head (k)	3 mm	3.4 mm	3.8 mm	1.7 mm	

DIN 7982, countersunk head, cross recess (PH), stainless steel A2

Dimensions	PU Piece	Article No.
2.2 x 6.5 mm	1000	096374*
2.2 x 6.5 mm	1000	021462*
2.2 x 9.5 mm	1000	096375*
2.2 x 13 mm	1000	096376*
2.2 x 16 mm	1000	096378*
2.2 x 19 mm	1000	096379*
2.2 x 22 mm	1000	096380*

DIN 7982, countersunk head, cross recess (PH), stainless steel A2

Dimensions	PU Piece	Article No.
2.2 x 25 mm	1000	096381*
2.9 x 9.5 mm	1000	932333
2.9 x 13 mm	1000	932334
2.9 x 16 mm	1000	930380
2.9 x 22 mm	1000	021467*
2.9 x 25 mm	1000	936125
2.9 x 32 mm	1000	096382

DIN 7982, countersunk head, cross recess (PH), stainless steel A2

Dimensions	PU Piece	Article No.
3.5 x 6.5 mm	1000	096383*
3.5 x 9.5 mm	1000	910211*
3.5 x 13 mm	250	913338
3.5 x 16 mm	250	910212
3.5 x 19 mm	250	910213
3.5 x 25 mm	250	910214
3.5 x 32 mm	250	932336

INTERNAL/Approved (2019-03-22 12:08:18)

DIN 7982, countersunk head, cross recess (PH), stainless steel A2		
Dimensions	PU Piece	Article No.
3.5 x 38 mm	1000	913339
3.5 x 45 mm	500	096384*
3.5 x 50 mm	500	096385*
3.5 x 60 mm	500	096386*
3.5 x 70 mm	500	096387*
3.9 x 6.5 mm	1000	096388*
3.9 x 9.5 mm	1000	913340*
3.9 x 13 mm	250	913341
3.9 x 16 mm	250	021478
3.9 x 19 mm	250	239283
3.9 x 22 mm	250	724892
3.9 x 25 mm	250	724893
3.9 x 32 mm	250	724894
3.9 x 38 mm	250	932337
3.9 x 50 mm	500	096389*
3.9 x 60 mm	500	096390*
3.9 x 70 mm	500	096391*
4.2 x 9.5 mm	1000	910215*
4.2 x 16 mm	250	724895
4.2 x 19 mm	250	724896
4.2 x 22 mm	250	724897
4.2 x 23 mm	1000	913342*
4.2 x 25 mm	250	724898
4.2 x 32 mm	250	724899

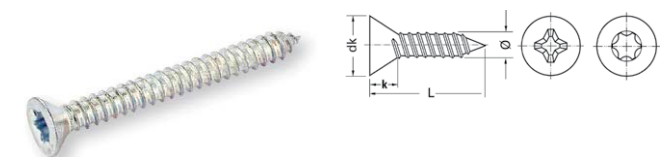
DIN 7982, countersunk head, cross recess (PH), stainless steel A2		
Dimensions	PU Piece	Article No.
4.2 x 38 mm	250	910216
4.2 x 45 mm	100	913343
4.2 x 50 mm	100	913344
4.2 x 70 mm	200	157927*
4.8 x 9.5 mm	1000	913345*
4.8 x 13 mm	1000	910217
4.8 x 16 mm	1000	028175
4.8 x 19 mm	250	724901
4.8 x 22 mm	250	724902
4.8 x 25 mm	250	724903
4.8 x 32 mm	250	021497
4.8 x 38 mm	250	724905
4.8 x 45 mm	100	913346
4.8 x 50 mm	100	913347
4.8 x 60 mm	100	191698
4.8 x 70 mm	100	180734
4.8 x 80 mm	100	538647
4.8 x 90 mm	200	908428
4.8 x 120 mm	200	096392
5.5 x 13 mm	1000	519600*
5.5 x 16 mm	1000	335134
5.5 x 19 mm	1000	025649*
5.5 x 22 mm	1000	025650
5.5 x 25 mm	500	025651

DIN 7982, countersunk head, cross recess (PH), stainless steel A2		
Dimensions	PU Piece	Article No.
5.5 x 32 mm	500	025652
5.5 x 39 mm	500	025653
5.5 x 45 mm	200	724911
5.5 x 50 mm	200	025655
5.5 x 60 mm	200	106551
5.5 x 70 mm	200	106552*
5.5 x 80 mm	200	106553
5.5 x 90 mm	200	014935*
5.5 x 100 mm	200	157926
5.5 x 120 mm	200	096394
6.3 x 13 mm	500	116110*
6.3 x 16 mm	500	116111*
6.3 x 19 mm	500	025656*
6.3 x 25 mm	200	910196*
6.3 x 32 mm	200	025659*
6.3 x 38 mm	200	910197*
6.3 x 45 mm	200	025661*
6.3 x 50 mm	200	025662*
6.3 x 70 mm	200	158825*
6.3 x 80 mm	200	158826*
6.3 x 90 mm	200	014960*
6.3 x 100 mm	200	014976*

* = The delivery time is 14 days
AGR: 00.312

similar DIN 7982, countersunk head, TX, stainless steel A2

Application Area



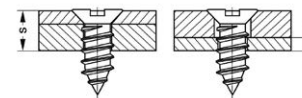
INTERNAL/Approved (2019-03-22 12:08:28)

Self-tapping screws

- Surface flash screwing of sheets, metals and plastics

Hints

- ~ ISO 7050
- Changes in ISO:
changed countersunk angle (DIN = 80°)
- ISO = 90°
minor differences in head height (k) and head diameter (dk)



Thread	2.2	2.9	3.5	3.9	4.2
Ø head	4.3 mm	5.5 mm	6.8 mm	7.5 mm	8.1 mm
Height Of Head (k)	1.3 mm	1.7 mm	2.1 mm	2.3 mm	2.5 mm
Thread	4.8	5.5	6.3		
Ø head	9.5 mm	10.8 mm	12.4 mm		
Height Of Head (k)	3 mm	3.4 mm	3.8 mm		

similar DIN 7982, countersunk head, TX, stainless steel A2

Dimensions	PU Piece	Article No.
2.2 x 6.5 mm	1000	096395*
2.2 x 9.5 mm	1000	096396*
2.2 x 13 mm	1000	096397*
2.2 x 16 mm	1000	096398*
2.2 x 19 mm	1000	096399*
2.2 x 22 mm	1000	096400*
2.2 x 25 mm	1000	096401*
2.9 x 6.5 mm	1000	096402*
2.9 x 9.5 mm	1000	096403*
2.9 x 13 mm	1000	096404
2.9 x 16 mm	1000	096405
2.9 x 19 mm	1000	096406
2.9 x 22 mm	1000	096407
2.9 x 25 mm	1000	096408
2.9 x 32 mm	1000	096409
3.5 x 6.5 mm	1000	096410*
3.5 x 9.5 mm	1000	096411*
3.5 x 13 mm	1000	096412

similar DIN 7982, countersunk head, TX, stainless steel A2

Dimensions	PU Piece	Article No.
3.5 x 16 mm	1000	057677
3.5 x 19 mm	1000	096413
3.5 x 22 mm	1000	096414*
3.5 x 25 mm	1000	057678
3.5 x 32 mm	1000	096416
3.5 x 38 mm	1000	096417
3.5 x 45 mm	500	096418*
3.5 x 50 mm	500	096419*
3.9 x 6.5 mm	1000	096420*
3.9 x 9.5 mm	1000	096421*
3.9 x 13 mm	1000	096422*
3.9 x 16 mm	1000	096423
3.9 x 19 mm	1000	096424
3.9 x 22 mm	1000	096425*
3.9 x 25 mm	1000	057680
3.9 x 32 mm	1000	096426
3.9 x 45 mm	500	096427
3.9 x 50 mm	500	096428

similar DIN 7982, countersunk head, TX, stainless steel A2

Dimensions	PU Piece	Article No.
4.2 x 9.5 mm	1000	096429*
4.2 x 13 mm	1000	096430*
4.2 x 16 mm	1000	096432*
4.2 x 19 mm	1000	057682
4.2 x 22 mm	1000	096433
4.2 x 25 mm	1000	096434
4.2 x 32 mm	500	096435
4.2 x 38 mm	500	096436
4.2 x 45 mm	500	096437
4.2 x 50 mm	200	096438
4.8 x 9.5 mm	1000	096439*
4.8 x 13 mm	1000	096440*
4.8 x 22 mm	1000	096441
4.8 x 32 mm	500	096442
4.8 x 45 mm	200	096443
5.5 x 13 mm	1000	096444*
5.5 x 16 mm	1000	096445
5.5 x 19 mm	1000	096446

INTERNAL/Approved (2019-03-22 12:08:58)

Self-tapping screws

similar DIN 7982, countersunk head, TX, stainless steel A2

Dimensions	PU Piece	Article No.
5.5 x 22 mm	1000	096447
5.5 x 25 mm	500	096448
5.5 x 32 mm	500	096449
5.5 x 38 mm	500	096450
5.5 x 45 mm	200	096451*
5.5 x 50 mm	200	096452
5.5 x 60 mm	200	096453
5.5 x 70 mm	200	096454

similar DIN 7982, countersunk head, TX, stainless steel A2

Dimensions	PU Piece	Article No.
5.5 x 80 mm	200	096455*
6.3 x 13 mm	500	096456*
6.3 x 16 mm	500	096457*
6.3 x 19 mm	500	096459*
6.3 x 22 mm	500	096460*
6.3 x 25 mm	200	096461
6.3 x 32 mm	200	096462
6.3 x 38 mm	200	057792

similar DIN 7982, countersunk head, TX, stainless steel A2

Dimensions	PU Piece	Article No.
6.3 x 45 mm	200	096463
6.3 x 50 mm	200	096464
6.3 x 60 mm	200	096465
6.3 x 70 mm	200	096466
6.3 x 80 mm	200	096467*

* = The delivery time is 14 days
AGR: 00.312

1

DIN 7983, raised countersunk head, cross recess (PH), steel zinc plated

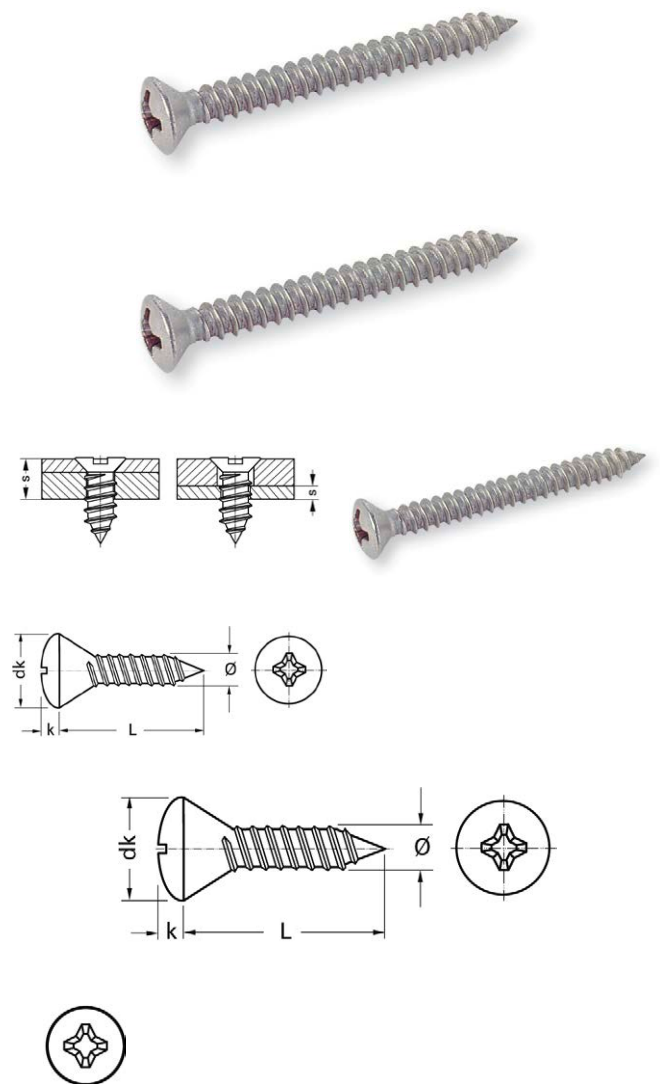
- Electro-plated version
- EN – ISO 7051, DIN 7983

Application Area

- Screwing of sheets, metals and plastics

Hints

- ~ ISO 7051
- Changes in ISO:
changed countersunk angle (DIN = 80°)
- ISO = 90°
minor differences in head height (k) and head diameter (dk)



Thread	2.9	3.5	3.9	4.2	4.8
Ø head	5.5 mm	6.8 mm	7.5 mm	8.1 mm	9.5 mm
Height Of Head (k)	1.7 mm	2.1 mm	2.3 mm	2.5 mm	3 mm

DIN 7983, raised countersunk head, cross recess (PH), steel zinc plated		
Dimensions	PU Piece	Article No.
2.9 x 13 mm	250	088986
2.9 x 16 mm	250	088994
2.9 x 19 mm	250	089001
3.5 x 13 mm	250	089036
3.5 x 16 mm	250	089044

DIN 7983, raised countersunk head, cross recess (PH), steel zinc plated		
Dimensions	PU Piece	Article No.
3.5 x 19 mm	250	089052
3.5 x 25 mm	250	089079
3.5 x 32 mm	250	089087
3.5 x 38 mm	250	089095
3.9 x 13 mm	250	089117

DIN 7983, raised countersunk head, cross recess (PH), steel zinc plated		
Dimensions	PU Piece	Article No.
3.9 x 16 mm	250	089125
3.9 x 19 mm	250	089133
3.9 x 22 mm	250	089141
3.9 x 25 mm	250	089150
3.9 x 32 mm	250	089168

INTERNAL/Approved (2019-03-22 12:09:27)

DIN 7983, raised countersunk head, cross recess (PH), steel zinc plated		
Dimensions	PU Piece	Article No.
4.2 x 13 mm	250	089192
4.2 x 16 mm	250	089206
4.2 x 19 mm	250	089214
4.2 x 22 mm	250	089222
4.2 x 25 mm	250	089230

DIN 7983, raised countersunk head, cross recess (PH), steel zinc plated		
Dimensions	PU Piece	Article No.
4.2 x 32 mm	250	089249
4.2 x 38 mm	250	089257
4.8 x 13 mm	250	089281
4.8 x 16 mm	250	089290
4.8 x 19 mm	250	089303

DIN 7983, raised countersunk head, cross recess (PH), steel zinc plated		
Dimensions	PU Piece	Article No.
4.8 x 22 mm	250	089311
4.8 x 25 mm	250	089320
4.8 x 32 mm	250	089338
4.8 x 38 mm	250	089346

AGR: 00.316

DIN 7983, raised countersunk head, cross recess (PH), steel black zinc plated

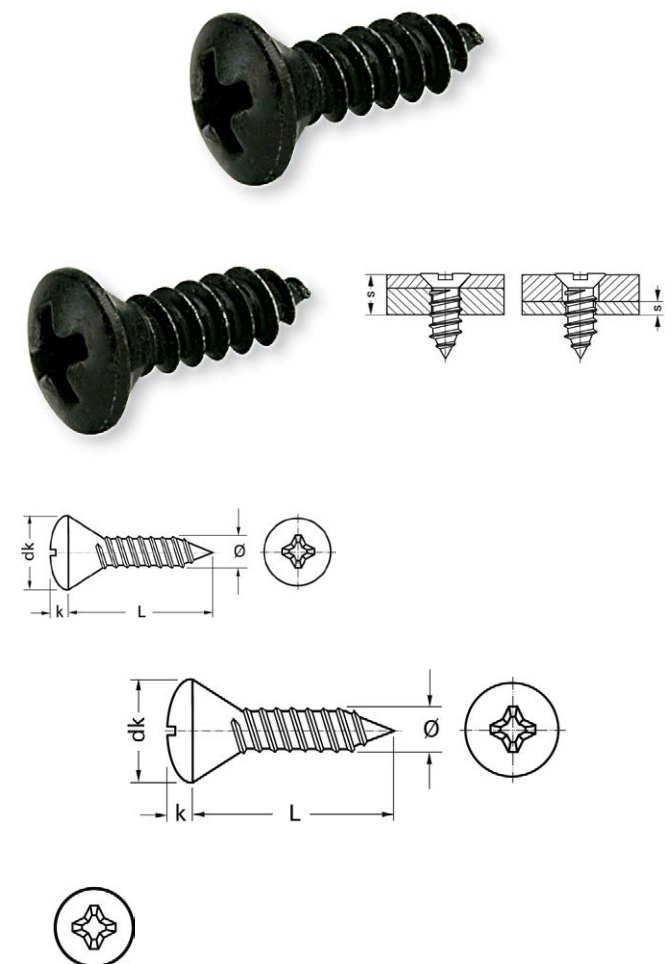
- Black chromated finish
- EN – ISO 7051, DIN 7983

Application Area

- Screwing of sheets, metals and plastics

Hints

- The maximum thickness of the material can be enhanced by pre-drilling with drilling diameter = thread diameter (see figure)
- ~ ISO 7051
- Changes in ISO:
 - changed countersunk angle (DIN = 80°
 - ISO = 90°)
- minor differences in head height (k) and head diameter (dk)



Thread	2.9	3.5	3.9	4.2	4.8
Ø head	5.5 mm	6.8 mm	7.5 mm	8.1 mm	9.5 mm
Height Of Head (k)	1.7 mm	2.1 mm	2.3 mm	2.5 mm	3 mm

INTERNAL/Approved (2019-03-22 12:09:42)

Self-tapping screws

1

DIN 7983, raised countersunk head, cross recess (PH), steel black zinc plated		
Dimensions	PU Piece	Article No.
2.9 x 9.5 mm	250	091235
3.5 x 13 mm	250	225860
3.5 x 16 mm	250	225878
3.5 x 19 mm	250	225886
3.9 x 9.5 mm	250	091243
3.9 x 13 mm	250	225894
3.9 x 16 mm	250	225908

DIN 7983, raised countersunk head, cross recess (PH), steel black zinc plated		
Dimensions	PU Piece	Article No.
3.9 x 19 mm	250	225916
4.2 x 16 mm	250	206490
4.2 x 19 mm	250	091251
4.2 x 22 mm	250	225932
4.2 x 25 mm	250	091260
4.2 x 32 mm	250	091278
4.8 x 13 mm	250	225940

DIN 7983, raised countersunk head, cross recess (PH), steel black zinc plated		
Dimensions	PU Piece	Article No.
4.8 x 16 mm	250	091286
4.8 x 19 mm	250	206296
4.8 x 22 mm	250	206482
4.8 x 25 mm	250	915543

AGR: 00.317

DIN 7983, raised countersunk head, cross recess (PH), stainless steel A2

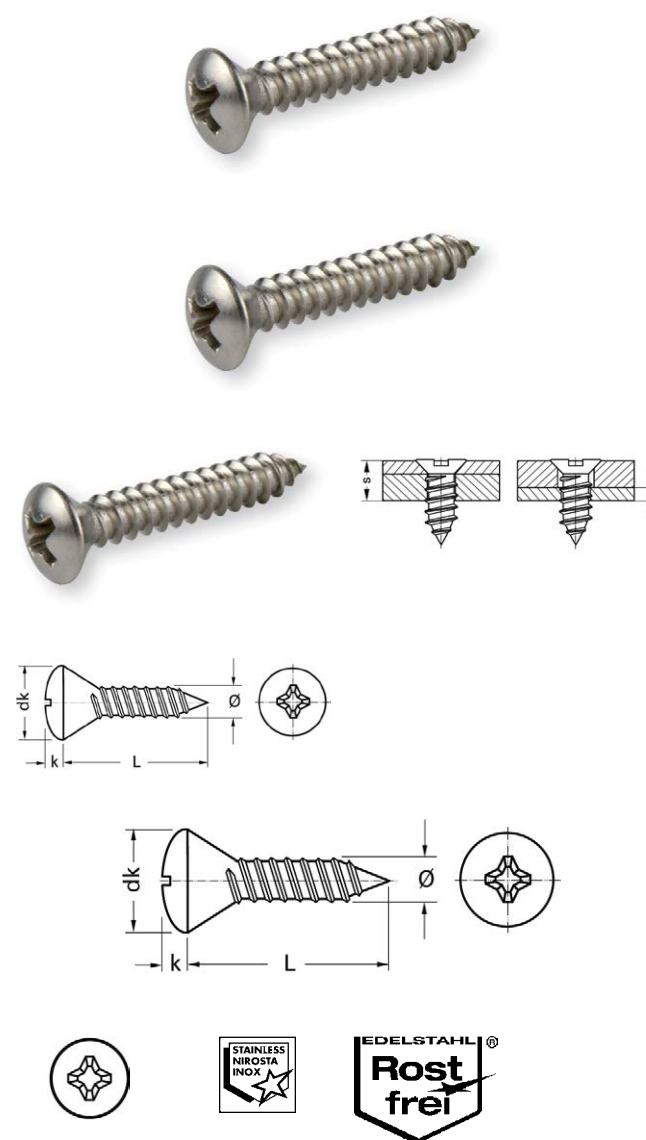
- Stainless steel version: A2
- EN – ISO 7051, DIN 7983

Application Area

- For connecting wood with metal, sheet metal, metal structures, light fixings, window and door manufacturing. Suitable for outdoor applications and in wet rooms

Hints

- ~ ISO 7051
- Changes in ISO:
 - changed countersunk angle (DIN = 80°; ISO = 90°)
 - minor differences in head height (k) and head diameter (dk)



INTERNAL/Approved (2019-03-22 12:09:59)

Self-tapping screws

1

Thread	2.2	2.9	3.5	3.9	4.2
Ø head	4.3 mm	5.5 mm	6.8 mm	7.5 mm	8.1 mm
Height Of Head (k)	1.3 mm	1.7 mm	2.1 mm	2.3 mm	2.5 mm
Thread	4.8	5.5	6.3		
Ø head	9.5 mm	10.8 mm	12.4 mm		
Height Of Head (k)	3 mm	3.4 mm	3.8 mm		

DIN 7983, raised countersunk head, cross recess (PH), stainless steel A2

Dimensions	PU Piece	Article No.
2.2 x 9.5 mm	1000	096468*
2.2 x 13 mm	1000	096469*
2.2 x 16 mm	1000	096470*
2.2 x 22 mm	1000	096471*
2.2 x 25 mm	1000	096472*
2.9 x 6.5 mm	1000	134382*
2.9 x 9.5 mm	1000	123024*
2.9 x 13 mm	1000	913520*
2.9 x 16 mm	1000	913521*
2.9 x 19 mm	1000	194786*
2.9 x 22 mm	1000	913523*
2.9 x 25 mm	1000	225460*
2.9 x 32 mm	1000	096473*
3.5 x 6.5 mm	1000	096475*
3.5 x 9.5 mm	1000	239682*
3.5 x 13 mm	1000	126187*
3.5 x 16 mm	250	239674
3.5 x 19 mm	1000	126179
3.5 x 22 mm	1000	238945*
3.5 x 25 mm	1000	225452
3.5 x 32 mm	1000	278920
3.5 x 38 mm	1000	724740
3.5 x 45 mm	500	096476
3.5 x 50 mm	500	096477

DIN 7983, raised countersunk head, cross recess (PH), stainless steel A2

Dimensions	PU Piece	Article No.
3.5 x 60 mm	500	096478*
3.5 x 70 mm	500	096479*
3.9 x 9.5 mm	1000	239666*
3.9 x 13 mm	1000	239658*
3.9 x 16 mm	1000	239640
3.9 x 19 mm	250	239631
3.9 x 22 mm	1000	028010*
3.9 x 25 mm	1000	028029
3.9 x 32 mm	1000	028037
3.9 x 38 mm	500	028045
3.9 x 45 mm	500	096480*
3.9 x 50 mm	500	096481*
3.9 x 60 mm	500	096483*
3.9 x 70 mm	500	096484*
4.2 x 9.5 mm	1000	239623*
4.2 x 13 mm	1000	174831*
4.2 x 16 mm	1000	239615*
4.2 x 19 mm	1000	225436
4.2 x 22 mm	1000	239607*
4.2 x 25 mm	1000	225428
4.2 x 32 mm	500	028061
4.2 x 38 mm	500	225410
4.2 x 45 mm	500	028088
4.2 x 50 mm	200	028096

DIN 7983, raised countersunk head, cross recess (PH), stainless steel A2

Dimensions	PU Piece	Article No.
4.2 x 60 mm	200	096485*
4.2 x 70 mm	200	096486*
4.8 x 9.5 mm	1000	239593*
4.8 x 13 mm	1000	239585
4.8 x 16 mm	1000	239577
4.8 x 19 mm	1000	239569
4.8 x 22 mm	1000	205753
4.8 x 25 mm	500	239550
4.8 x 32 mm	500	028100
4.8 x 38 mm	500	028118
4.8 x 45 mm	200	028126
4.8 x 50 mm	200	028134
4.8 x 60 mm	200	116162*
4.8 x 70 mm	200	116163*
4.8 x 80 mm	200	096487*
4.8 x 90 mm	200	096488*
4.8 x 100 mm	200	096489*
4.8 x 110 mm	200	096490*
5.5 x 16 mm	1000	258814*
5.5 x 19 mm	1000	258946*
5.5 x 22 mm	1000	116167*
5.5 x 25 mm	500	006728
5.5 x 32 mm	500	374440*
5.5 x 38 mm	500	894358

INTERNAL/Approved (2019-03-22 12:10:25)

Self-tapping screws

1

DIN 7983, raised countersunk head, cross recess (PH), stainless steel A2

Dimensions	PU Piece	Article No.
5.5 x 45 mm	200	025667
5.5 x 50 mm	200	025668
5.5 x 60 mm	200	096492
5.5 x 70 mm	200	096493*
5.5 x 80 mm	200	096494*
5.5 x 90 mm	200	096495*
6.3 x 13 mm	500	116168*

DIN 7983, raised countersunk head, cross recess (PH), stainless steel A2

Dimensions	PU Piece	Article No.
6.3 x 16 mm	500	116169*
6.3 x 19 mm	500	116170*
6.3 x 22 mm	500	116171*
6.3 x 25 mm	200	116172*
6.3 x 32 mm	200	123023*
6.3 x 38 mm	200	123050*
6.3 x 45 mm	200	116174*

DIN 7983, raised countersunk head, cross recess (PH), stainless steel A2

Dimensions	PU Piece	Article No.
6.3 x 50 mm	200	123051*
6.3 x 60 mm	200	096496*
6.3 x 70 mm	200	096497*
6.3 x 80 mm	200	096498*
6.3 x 90 mm	200	096499*
6.3 x 100 mm	200	096500*

* = The delivery time is 14 days
AGR: 00.319

DIN 7504, shape M, pan head, cross recess (PH), steel zinc plated

- Pan head with full thread
- Both Phillips and Torx drive
- Drilling, tapping and screw assembly in one operation
- Drillpoint provides accurate hole diameter
- Surface - hardened steel
- EN - ISO 15481
- Torx – EN - ISO 15481
- Recommended speed:
- Ø – 3.5 t / m 4.8mm: 1800-2500 rpm
- Ø – 3.5 t / m 6.3mm: 1000-1800 rpm

Application Area

- For joining wood with metal, sheet metal, metal structures, light fixings in plastic dashboards.
- Suitable for fastening sheet metal up to 6 mm thick, without pre-drilling

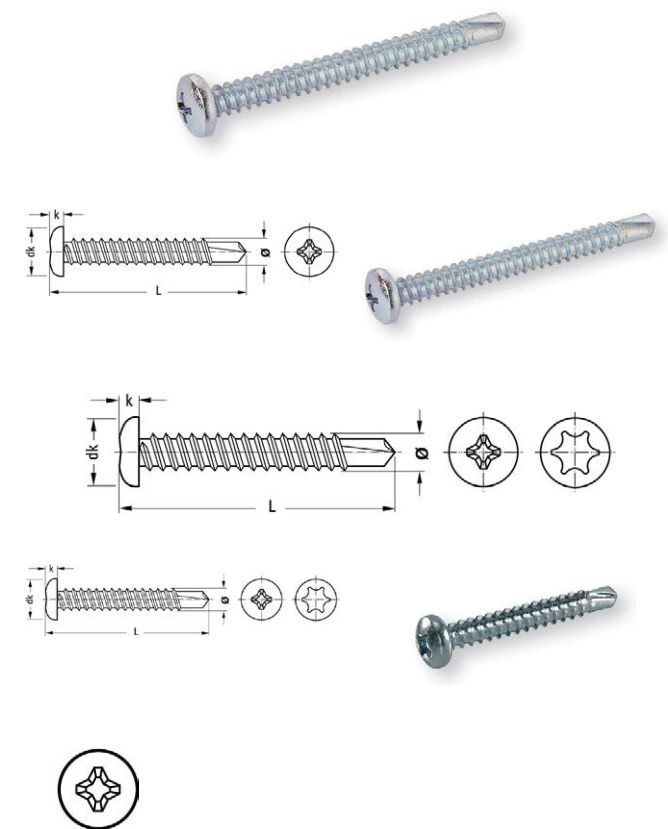
Processing Information

- Use machines with depth stop or slip automatic or automatic switchoff

Technical Data

Norms	DIN 7504
Material	Steel

Title	Dimension	Thread length	Length Of The Drill Head Bl	Drilling range	Drive	PU Piece	Article No.
SCREW DIN 7504-M 2.9X 9.5ZP	2.9 x 9.5 mm	3.25 mm	6 mm	0.7 - 1.9 mm	PH 2	1000	828329
SCREW DIN 7504 M 2,9X 13 ZI	2.9 x 13 mm	6.6 mm	6 mm	0.7 - 1.9 mm	PH 2	1000	828336
SCREW DIN 7504-M 2.9X 16 ZP	2.9 x 16 mm	9.6 mm	6 mm	0.7 - 1.9 mm	PH 2	1000	828343
SCREW DIN 7504-M 2.9X 19 ZP	2.9 x 19 mm	12.5 mm	6 mm	0.7 - 1.9 mm	PH 2	1000	828350
Self Drilling Screw DIN 7504	3.5 x 9.5 mm	2.85 mm	6 mm	0.7 - 2.25 mm	PH 2	1000	242551
Pan Head Self Drilling Screw	3.5 x 13 mm	6.2 mm	6 mm	0.7 - 2.25 mm	PH 2	500	070018
Self Drilling Screw DIN 7504	3.5 x 16 mm	9.2 mm	6 mm	0.7 - 2.25 mm	PH 2	500	242560
Self Drilling Screw DIN 7504	3.5 x 19 mm	12.1 mm	6 mm	0.7 - 2.25 mm	PH 2	500	242578
SCREW DIN 7504-M 3.5X 22 ZP	3.5 x 22 mm	15.1 mm	6 mm	0.7 - 2.25 mm	PH 2	500	828374



INTERNAL/Approved (2019-03-22 12:11:01)

Self-tapping screws

1

Title	Dimension	Thread length	Length Of The Drill Head Bl	Drilling range	Drive	PU Piece	Article No.
Pan Head Self Drilling Screw	3.5 x 25 mm	18.1 mm	6 mm	0.7 - 2.25 mm	PH 2	500	510599
Pan Head Self Drilling Screw	3.9 x 13 mm	5.8 mm	7 mm	0.7 - 2.4 mm	PH 2	500	070019
Pan Head Self Drilling Screw	3.9 x 16 mm	8.8 mm	7 mm	0.7 - 2.4 mm	PH 2	500	168424
Pan Head Self Drilling Screw	3.9 x 19 mm	11.7 mm	7 mm	0.7 - 2.4 mm	PH 2	500	168432
Pan Head Self Drilling Screw	3.9 x 22 mm	14.7 mm	7 mm	0.7 - 2.4 mm	PH 2	500	168440
Pan Head Self Drilling Screw	3.9 x 25 mm	17.7 mm	7 mm	0.7 - 2.4 mm	PH 2	500	168459
Pan Head Self Drilling Screw	3.9 x 32 mm	24.5 mm	7 mm	0.7 - 2.4 mm	PH 2	500	828404
Pan Head Self Drilling Screw	3.9 x 38 mm	30.5 mm	7 mm	0.7 - 2.4 mm	PH 2	500	540994
Self Drilling Screw DIN 7504	4.2 x 13 mm	4.3 mm	9 mm	1.75 - 3 mm	PH 2	500	242586
Self Drilling Screw DIN 7504	4.2 x 16 mm	7.3 mm	9 mm	1.75 - 3 mm	PH 2	500	168467
Self Drilling Screw DIN 7504	4.2 x 19 mm	10.3 mm	9 mm	1.75 - 3 mm	PH 2	500	163589
Pan Head Self Drilling Screw	4.2 x 22 mm	13.3 mm	9 mm	1.75 - 3 mm	PH 2	500	168483
Pan Head Self Drilling Screw	4.2 x 25 mm	16.3 mm	9 mm	1.75 - 3 mm	PH 2	500	168491
Pan Head Self Drilling Screw	4.2 x 32 mm	23 mm	9 mm	1.75 - 3 mm	PH 2	250	330272
Pan Head Self Drilling Screw	4.2 x 38 mm	29 mm	9 mm	1.75 - 3 mm	PH 2	250	070060
SCREW DIN 7504 M 4,8X 13 ZI	4.8 x 13 mm	4.7 mm	10 mm	1.75 - 4.4 mm	PH 2	500	070020
Self Drilling Screw DIN 7504	4.8 x 16 mm	5.8 mm	10 mm	1.75 - 4.4 mm	PH 2	500	242594
Self Drilling Screw DIN 7504	4.8 x 19 mm	8.7 mm	10 mm	1.75 - 4.4 mm	PH 2	500	242608
Self Drilling Screw DIN 7504	4.8 x 22 mm	11.7 mm	10 mm	1.75 - 4.4 mm	PH 2	500	242616
Pan Head Self Drilling Screw	4.8 x 25 mm	14.7 mm	10 mm	1.75 - 4.4 mm	PH 2	500	828435
Pan Head Self Drilling Screw	4.8 x 32 mm	21.5 mm	10 mm	1.75 - 4.4 mm	PH 2	250	070028
Pan Head Self Drilling Screw	4.8 x 38 mm	27.5 mm	10 mm	1.75 - 4.4 mm	PH 2	250	828459
Pan Head Self Drilling Screw	4.8 x 45 mm	34.5 mm	10 mm	1.75 - 4.4 mm	PH 2	250	510661
Pan Head Self Drilling Screw	4.8 x 50 mm	39.5 mm	10 mm	1.75 - 4.4 mm	PH 2	250	828473

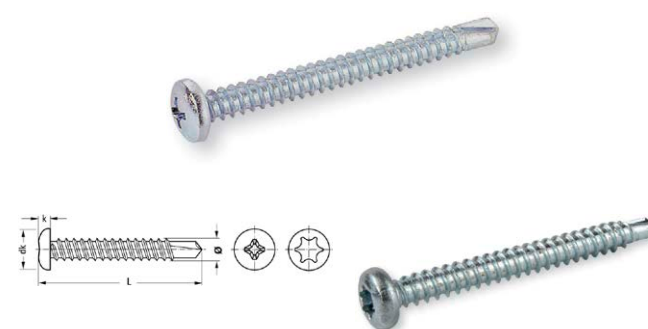
AGR: 00.330

DIN 7504, shape M, pan head, TX, steel zinc plated

- Drilling, thread forming and screwing in one operation, therefore, mounting cost savings of up to 50%

Application Area

- For screw connections in sheet steel, aluminium sheet, plastic materials and wooden plates without pre-drilling



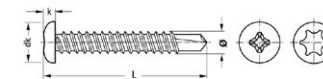
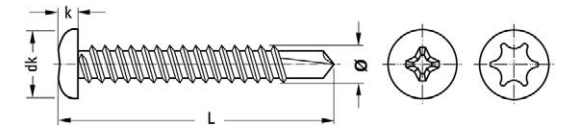
INTERNAL/Approved (2019-03-22 12:11:44)

Processing Information

- Use machines with depth stop or slip automatic or automatic switchoff

Technical Data

Norms DIN 7504
 Material Steel



Title	Dimension	Thread length	Length Of The Drill Head Bl	Drilling range	Drive	PU Piece	Article No.
SCREW 7504-M TX 3,5X9,5ZI	3.5 x 9.5 mm	2.85 mm	6 mm	0.7 - 2.25 mm	TX 15	500	006676
SCREW 7504-M TX 3,5X13 ZI	3.5 x 13 mm	6.2 mm	6 mm	0.7 - 2.25 mm	TX 15	500	006677
BOHRSCREW 7504-M TX 3,5X16 ZP	3.5 x 16 mm	9.2 mm	6 mm	0.7 - 2.25 mm	TX 15	500	006678
BOHRSCREW 7504-M TX 3,5X19 ZP	3.5 x 19 mm	12.1 mm	6 mm	0.7 - 2.25 mm	TX 15	500	006679
BOHRSCREW 7504-M TX 3,5X22 ZP	3.5 x 22 mm	15.1 mm	6 mm	0.7 - 2.25 mm	TX 15	500	006680
BOHRSCREW 7504-M TX 3,5X25 ZP	3.5 x 25 mm	18.1 mm	6 mm	0.7 - 2.25 mm	TX 15	500	006681
SCREW 7504-M TX 3,9X13 ZI	3.9 x 13 mm	5.8 mm	7 mm	0.7 - 2.4 mm	TX 20	500	006682
Pan Head Self Drilling Screw	3.9 x 16 mm	8.8 mm	7 mm	0.7 - 2.4 mm	TX 20	500	006683
Pan Head Self Drilling Screw	3.9 x 19 mm	11.7 mm	7 mm	0.7 - 2.4 mm	TX 20	500	006684
BOHRSCREW 7504-M TX 3,9X22 ZP	3.9 x 22 mm	14.7 mm	7 mm	0.7 - 2.4 mm	TX 20	500	006685
Pan Head Self Drilling Screw	3.9 x 25 mm	17.7 mm	7 mm	0.7 - 2.4 mm	TX 20	500	006686
Pan Head Self Drilling Screw	3.9 x 32 mm	24.5 mm	7 mm	0.7 - 2.4 mm	TX 20	500	006687
BOHRSCREW 7504-M TX 3,9X38 ZP	3.9 x 38 mm	30.5 mm	7 mm	0.7 - 2.4 mm	TX 20	500	006689
Pan Head Self Drilling Screw	4.2 x 13 mm	4.3 mm	9 mm	1.75 - 3 mm	TX 20	500	006690
Pan Head Self Drilling Screw	4.2 x 16 mm	7.3 mm	9 mm	1.75 - 3 mm	TX 20	500	006691
Pan Head Self Drilling Screw	4.2 x 19 mm	10.3 mm	9 mm	1.75 - 3 mm	TX 20	500	006692
Pan Head Self Drilling Screw	4.2 x 22 mm	13.3 mm	9 mm	1.75 - 3 mm	TX 20	500	006693
Pan Head Self Drilling Screw	4.2 x 25 mm	16.3 mm	9 mm	1.75 - 3 mm	TX 20	500	006694
Pan Head Self Drilling Screw	4.2 x 32 mm	23 mm	9 mm	1.75 - 3 mm	TX 20	250	006695
Pan Head Self Drilling Screw	4.2 x 38 mm	29 mm	9 mm	1.75 - 3 mm	TX 20	250	006697
Pan Head Self Drilling Screw	4.8 x 16 mm	5.8 mm	10 mm	1.75 - 4.4 mm	TX 25	500	006698
Pan Head Self Drilling Screw	4.8 x 19 mm	8.7 mm	10 mm	1.75 - 4.4 mm	TX 25	500	006699
Pan Head Self Drilling Screw	4.8 x 22 mm	11.7 mm	10 mm	1.75 - 4.4 mm	TX 25	500	006701

INTERNAL/Approved (2019-03-22 12:12:09)

Self-tapping screws

1

Title	Dimension	Thread length	Length Of The Drill Head Bl	Drilling range	Drive	PU Piece	Article No.
Pan Head Self Drilling Screw	4.8 x 25 mm	14.7 mm	10 mm	1.75 - 4.4 mm	TX 25	500	006702
Pan Head Self Drilling Screw	4.8 x 32 mm	21.5 mm	10 mm	1.75 - 4.4 mm	TX 25	250	006703
Pan Head Self Drilling Screw	4.8 x 38 mm	27.5 mm	10 mm	1.75 - 4.4 mm	TX 25	250	006704
Pan Head Self Drilling Screw	4.8 x 45 mm	34.5 mm	10 mm	1.75 - 4.4 mm	TX 25	250	006705
Pan Head Self Drilling Screw	4.8 x 50 mm	39.5 mm	10 mm	1.75 - 4.4 mm	TX 25	250	006706

AGR: 00.330

DIN 7504, shape M, pan head, internal square, steel zinc plated

- Drilling, tapping and screwing in one operation, thus saving assembly costs up to 50%

Application Area

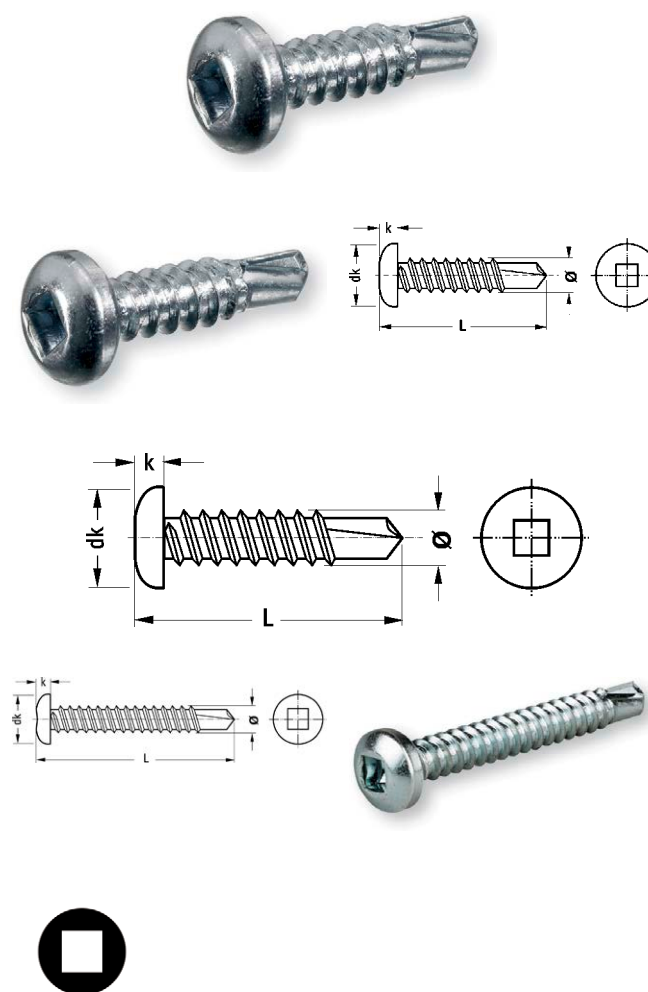
- For screw connections in sheet steel, aluminium sheet, plastic materials and wooden plates without pre-drilling

Processing Information

- Use machines with depth stop or slip automatic or automatic switchoff

Technical Data

Norms	DIN 7504
Material	Steel



Title	Dimension	Thread length	Length Of The Drill Head Bl	Drilling range	Drive	PU Piece	Article No.
SCR. 7504 M SQ SKT 4.2X 13ZP	4.2 x 13 mm	4.3 mm	9 mm	1.5 - 3 mm	I4KT 2	500	936811
SCR. 7504 M SQ SKT 4.2X 16ZP	4.2 x 16 mm	7.3 mm	9 mm	1.75 - 3 mm	I4KT 2	500	936812

AGR: 00.330

INTERNAL/Approved (2019-03-22 12:12:27)

DIN 7504, shape M, pan head, cross recess (PH), stainless steel A2

- Pan head and full thread, stainless steel
- With Phillips drive
- Drilling, tapping and screw assembly in one operation
- Drillpoint provides accurate hole diameter
- Weatherproof - prevents corrosion
- EN – ISO 15481
- Recommended speed:
- $\emptyset - 3.5 \text{ t} / \text{m } 4.8\text{mm}$: 1800-2500 rpm

Application Area

- For screw connections in sheet steel, aluminium sheet, plastic materials and wooden plates without pre-drilling
- Only suitable for soft metals like aluminium, light fixtures, plastic
- Suitable for outdoor applications and in wet rooms

Processing Information

- Use machines with depth stop or slip automatic or automatic switchoff

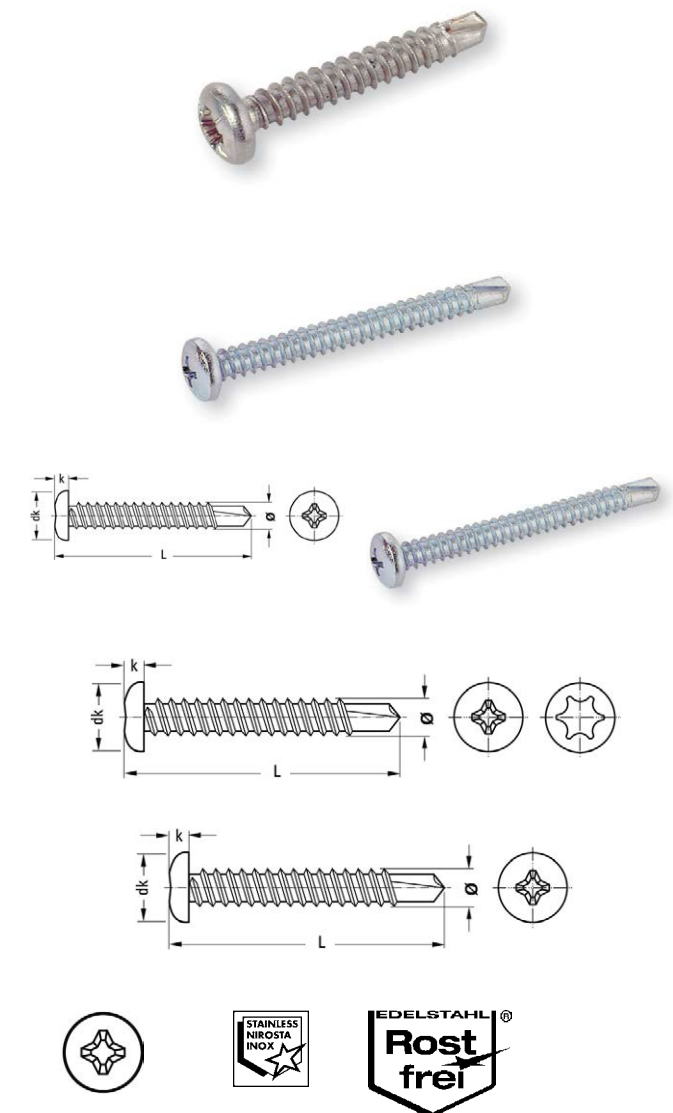
Hints

- Drilling screws made from stainless steel A2 are only suitable for the screwing of plastics or soft metals such as aluminum

Technical Data

Norms	DIN 7504
Material	Stainless Steel A2

Title	Dimension	Thread length	Length Of The Drill Head Bl	Drilling range	Drive	PU Piece	Article No.
Self-drilling Screw	2.9 x 13 mm	6.6 mm	6 mm	0.7 - 1.9 mm	PH 1	1000	096276*
Pan Head Self Drilling Screws DIN 7504 K	3.5 x 13 mm	6.2 mm	6 mm	0.7 - 2.25 mm	PH 2	250	029061
Pan Head Self Drilling Screws DIN 7504 K	3.5 x 16 mm	9.2 mm	6 mm	0.7 - 2.25 mm	PH 2	250	975173
SCREW DIN 7504-M 3,5X 22 A2	3.5 x 22 mm	15.1 mm	6 mm	0.7 - 2.25 mm	PH 2	1000	096277
Pan Head Self Drilling Screws DIN 7504 K	3.5 x 25 mm	18.1 mm	6 mm	0.7 - 2.25 mm	PH 2	250	019608
Pan Head Self Drilling Screws DIN 7504 K	3.9 x 13 mm	5.8 mm	7 mm	0.7 - 2.4 mm	PH 2	250	019609
Pan Head Self Drilling Screws DIN 7504 K	3.9 x 16 mm	8.8 mm	7 mm	0.7 - 2.4 mm	PH 2	250	029063
Pan Head Self Drilling Screws DIN 7504 K	3.9 x 19 mm	11.7 mm	7 mm	0.7 - 2.4 mm	PH 2	250	975175
SCREW DIN 7504-M 3,9X22 A2	3.9 x 22 mm	14.7 mm	7 mm	0.7 - 2.4 mm	PH 2	1000	096278



Self-tapping screws

1

Title	Dimension	Thread length	Length Of The Drill Head Bl	Drilling range	Drive	PU Piece	Article No.
Pan Head Self Drilling Screws DIN 7504 K	3.9 x 25 mm	17.7 mm	7 mm	0.7 - 2.4 mm	PH 2	500	029064
SCREW DIN 7504-M 3,9X32 A2	3.9 x 32 mm	24.5 mm	7 mm	0.7 - 2.4 mm	PH 2	500	975176*
Pan Head Self Drilling Screws DIN 7504 K	4.2 x 13 mm	4.3 mm	9 mm	1.75 - 3 mm	PH 2	250	029065
Pan Head Self Drilling Screws DIN 7504 K	4.2 x 16 mm	7.3 mm	9 mm	1.75 - 3 mm	PH 2	250	906158
Pan Head Self Drilling Screws DIN 7504 K	4.2 x 19 mm	10.3 mm	9 mm	1.75 - 3 mm	PH 2	500	029067
SCREW DIN 7504-M 4,2X22 A2	4.2 x 22 mm	13.3 mm	9 mm	1.75 - 3 mm	PH 2	1000	975178
Pan Head Self Drilling Screws DIN 7504 K	4.2 x 25 mm	16.3 mm	9 mm	1.75 - 3 mm	PH 2	250	136108
Pan Head Self Drilling Screws DIN 7504 K	4.8 x 13 mm	4.7 mm	10 mm	1.75 - 4.4 mm	PH 2	500	019607
Pan Head Self Drilling Screws DIN 7504 K	4.8 x 16 mm	5.8 mm	10 mm	1.75 - 4.4 mm	PH 2	250	054816
Pan Head Self Drilling Screws DIN 7504 K	4.8 x 19 mm	8.7 mm	10 mm	1.75 - 4.4 mm	PH 2	250	029069
SCREW DIN 7504-M 4,8X22 A2	4.8 x 22 mm	11.7 mm	10 mm	1.75 - 4.4 mm	PH 2	1000	975182*
Pan Head Self Drilling Screws DIN 7504 K	4.8 x 25 mm	14.7 mm	10 mm	1.75 - 4.4 mm	PH 2	250	029071
Pan Head Self Drilling Screws DIN 7504 K	4.8 x 32 mm	21.5 mm	10 mm	1.75 - 4.4 mm	PH 2	250	033544
Pan Head Self Drilling Screws DIN 7504 K	4.8 x 38 mm	27.5 mm	10 mm	1.75 - 4.4 mm	PH 2	250	758914
Pan Head Self Drilling Screws DIN 7504 K	4.8 x 45 mm	34.5 mm	10 mm	1.75 - 4.4 mm	PH 2	100	019610

* = The delivery time is 14 days

AGR: 00.331

DIN 7504, shape K, hexagon head with flange, steel zinc plated

- Galvanized version with hexagon head and being pressed ring and full thread
- Drilling, tapping and screw assembly in one operation
- Drill Point provides accurate hole - Ø
- Surface-hardened steel
- EN - ISO 15 480
- Recommended speed:
- Ø - 3.5 t / m 4.8 mm: 1800-2500 rpm
- Ø - 5.5 t / m 6.3 mm: 1000-1800 rpm

Application Area

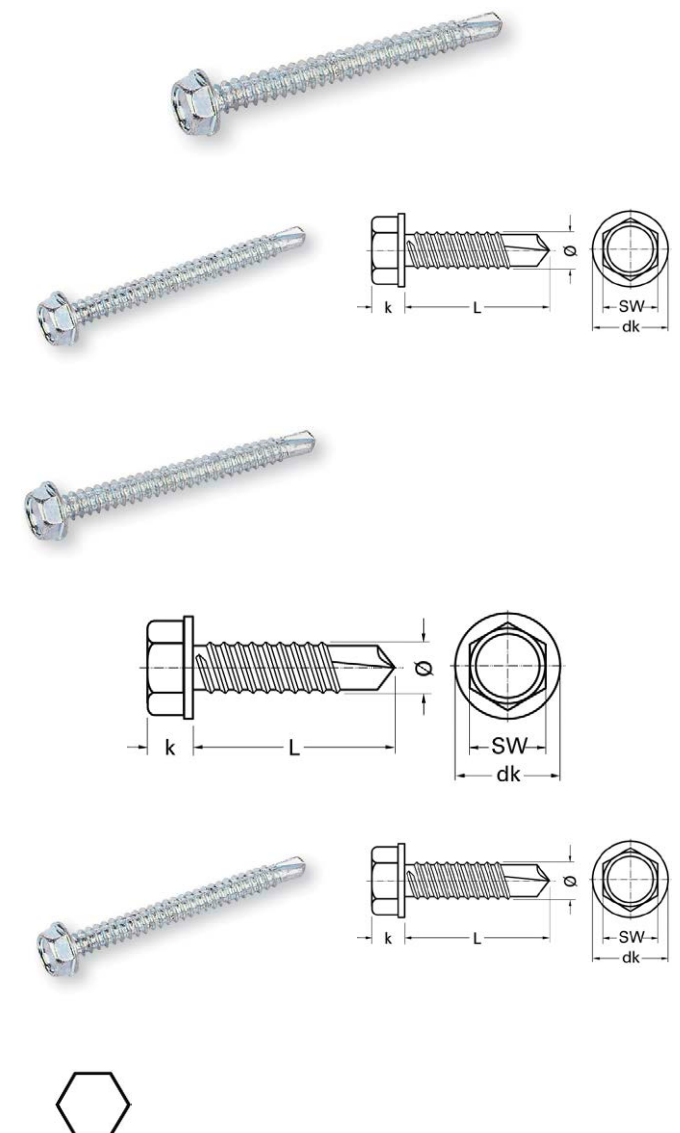
- Compounds of wood with metal, sheet metal, metal structures, sheet piling, linking profiles
- Plate Connections to 6mm thick, without pre-drilling

Processing Information

- Use machines with depth stop or slip automatic or automatic switchoff

Technical Data

Norms	DIN 7504
Material	Steel



INTERNAL/Approved (2019-03-22 12:13:54)

Title	Dimension	Thread length	Length Of The Drill Head Bl	Drilling range	Drive	Wrench Width	PU Piece	Article No.
HEX Flange Self Drilling Screw	4.2 x 13 mm	4.3 mm	9 mm	1.75 - 3 mm	6KT	7 mm	500	933655
HEX Flange Self Drilling Screw	4.2 x 16 mm	7.3 mm	9 mm	1.75 - 3 mm	6KT	7 mm	500	389706
HEX Flange Self Drilling Screw	4.2 x 19 mm	10.3 mm	9 mm	1.75 - 3 mm	6KT	7 mm	500	389714
HEX Flange Self Drilling Screw	4.2 x 25 mm	16.3 mm	9 mm	1.75 - 3 mm	6KT	7 mm	500	510971
HEX Flange Self Drilling Screw	4.8 x 16 mm	5.8 mm	10 mm	1.75 - 4.4 mm	6KT	8 mm	500	389730
HEX Flange Self Drilling Screw	4.8 x 19 mm	8.7 mm	10 mm	1.75 - 4.4 mm	6KT	8 mm	500	829272
HEX Flange Self Drilling Screw	4.8 x 25 mm	14.7 mm	10 mm	1.75 - 4.4 mm	6KT	8 mm	500	591580
HEX Flange Self Drilling Screw	4.8 x 32 mm	21.5 mm	10 mm	1.75 - 4.4 mm	6KT	8 mm	250	510980
HEX Flange Self Drilling Screw DIN 7504 K	4.8 x 38 mm	27.5 mm	10 mm	1.75 - 4.4 mm	6KT	8 mm	250	510998

1

Title	Dimension	Thread length	Length Of The Drill Head Bl	Drilling range	Drive	Wrench Width	PU Piece	Article No.
SCREW DIN 7504-K 4.8X 50 ZP	4.8 x 50 mm	39.5 mm	10 mm	1.75 - 4.4 mm	6KT	8 mm	250	540811
HEX Flange Self Drilling Screw	5.5 x 19 mm	8 mm	11 mm	1.75 - 5.25 mm	6KT	8 mm	250	511005
HEX Flange Self Drilling Screw	5.5 x 25 mm	14 mm	11 mm	1.75 - 5.25 mm	6KT	8 mm	250	511013
HEX Flange Self Drilling Screw	6.3 x 19 mm	7 mm	12 mm	2 - 6 mm	6KT	10 mm	250	511048
HEX Flange Self Drilling Screw	6.3 x 22 mm	10 mm	12 mm	2 - 6 mm	6KT	10 mm	250	511056
HEX Flange Self Drilling Screw	6.3 x 25 mm	13 mm	12 mm	2 - 6 mm	6KT	10 mm	250	511064
HEX Flange Self Drilling Screw	6.3 x 32 mm	20 mm	12 mm	2 - 6 mm	6KT	10 mm	250	591599
HEX Flange Self Drilling Screw	6.3 x 38 mm	26 mm	12 mm	2 - 6 mm	6KT	10 mm	100	511072
HEX Flange Self Drilling Screw	6.3 x 50 mm	38 mm	12 mm	2 - 6 mm	6KT	10 mm	100	540838
HEX Flange Self Drilling Screw	6.3 x 60 mm	48 mm	12 mm	2 - 6 mm	6KT	10 mm	100	540846
HEX Flange Self Drilling Screw	6.3 x 70 mm	58 mm	12 mm	2 - 6 mm	6KT	10 mm	100	540854
HEX Flange Self Drilling Screw DIN 7504 K	6.3 x 80 mm	68 mm	12 mm	2 - 6 mm	6KT	10 mm	100	113357

AGR: 00.333

DIN 7504, shape K, hexagon head with flange, stainless steel A2

- Stainless steel version with hexagonal head with flange and full thread
- Drilling, tapping and screw assembly in one operation
- Drillpoint provides accurate hole diameter
- Weatherproof – prevents corrosion
- EN – ISO 15480
- Recommended speed:
- Ø – 4.2 t / m 4.8mm: 1800-2500 rpm
- Ø – 5.5 t / m 6.3mm: 1000-1800 rpm

Application Area

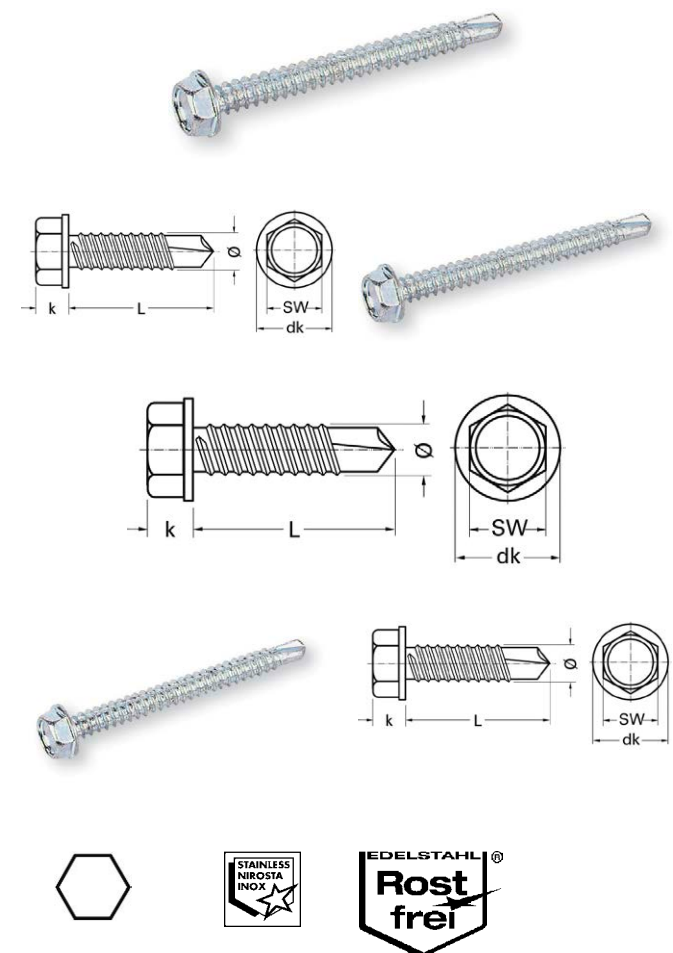
- For screw connections in sheet steel, aluminium sheet, plastic materials and wooden plates without pre-drilling

Processing Information

- Use machines with depth stop or slip automatic or automatic switchoff

Hints

- Drilling screws made from stainless steel A2 are only suitable for the screwing of plastics or soft metals such as aluminum



INTERNAL/Approved (2019-03-22 12:14:30)

Technical Data

Norms DIN 7504
 Material Stainless Steel A2

1

Title	Dimension	Thread length	Length Of The Drill Head Bl	Drilling range	Drive	Wrench Width	PU Piece	Article No.
Self-drilling Screw	4.2 x 13 mm	4.3 mm	9 mm	1.75 - 3 mm	6KT	7 mm	1000	096282*
Self-drilling Screw	4.2 x 16 mm	7.3 mm	9 mm	1.75 - 4.4 mm	6KT	7 mm	1000	065725
Self-drilling Screw	4.2 x 22 mm	13.3 mm	9 mm	1.75 - 3 mm	6KT	7 mm	1000	096283
Self-drilling Screw	4.2 x 25 mm	16.3 mm	9 mm	1.75 - 3 mm	6KT	7 mm	500	029055
Self-drilling Screw	4.2 x 32 mm	23 mm	9 mm	1.75 - 3 mm	6KT	7 mm	1000	096284
Self-drilling Screw	4.2 x 38 mm	29 mm	9 mm	1.75 - 3 mm	6KT	7 mm	500	096285
Self-drilling Screw	4.2 x 50 mm	-	9 mm	1.75 - 3 mm	6KT	7 mm	200	096286*
Self-drilling Screw	4.8 x 16 mm	5.8 mm	10 mm	1.75 - 4.4 mm	6KT	8 mm	500	096287
Self-drilling Screw	4.8 x 19 mm	8.7 mm	10 mm	1.75 - 4.4 mm	6KT	8 mm	500	065726
Self-drilling Screw	4.8 x 22 mm	11.7 mm	10 mm	1.75 - 4.4 mm	6KT	8 mm	500	096288
Self-drilling Screw	4.8 x 25 mm	14.7 mm	10 mm	1.75 - 4.4 mm	6KT	8 mm	500	065727
Self-drilling Screw	4.8 x 32 mm	21.5 mm	10 mm	1.75 - 4.4 mm	6KT	8 mm	500	029056
Self-drilling Screw	4.8 x 38 mm	27.5 mm	10 mm	1.75 - 4.4 mm	6KT	8 mm	500	065729
Self-drilling Screw	4.8 x 50 mm	39.5 mm	10 mm	1.75 - 4.4 mm	6KT	8 mm	500	096289
Self-drilling Screw	5.5 x 25 mm	14 mm	11 mm	1.75 - 5.25 mm	6KT	8 mm	500	121246
Self-drilling Screw	5.5 x 32 mm	21 mm	11 mm	1.75 - 5.25 mm	6KT	8 mm	500	096290
Self-drilling Screw	5.5 x 50 mm	39 mm	11 mm	1.75 - 5.25 mm	6KT	8 mm	200	096291
Self-drilling Screw	6.3 x 22 mm	10 mm	12 mm	2 - 6 mm	6KT	10 mm	500	029058
Self-drilling Screw	6.3 x 25 mm	13 mm	12 mm	2 - 6 mm	6KT	10 mm	500	147603
Self-drilling Screw	6.3 x 50 mm	38 mm	12 mm	2 - 6 mm	6KT	10 mm	200	065734
Self-drilling Screw	6.3 x 60 mm	-	12 mm	2 - 6 mm	6KT	10 mm	200	096292
Self-drilling Screw	6.3 x 100 mm	-	12 mm	2 - 6 mm	6KT	10 mm	100	096293

* = The delivery time is 14 days

AGR: 00.334

INTERNAL/Approved (2019-03-22 12:14:50)

1

DIN 7504, shape O, countersunk head, cross recess (PH), steel zinc plated

- Countersunk head and full thread
- Both Phillips and Torx drive
- Drilling, tapping and screw assembly in one operation
- Drillpoint provides accurate hole diameter
- Surface - hardened steel
- EN - ISO 15482
- Torx - EN - ISO 15482
- Recommended speed:
- Ø - 3.5 t/m 4.8 mm: 1800 - 2500 rpm
- Ø - 5.5 t/m 6.3 mm: 1000 - 1800 rpm

Application Area

- For joining wood with metal, sheet metal, metal structures, light fixings in plastic dashboards
- Plate Connections to 6 mm thick, without pre-drilling

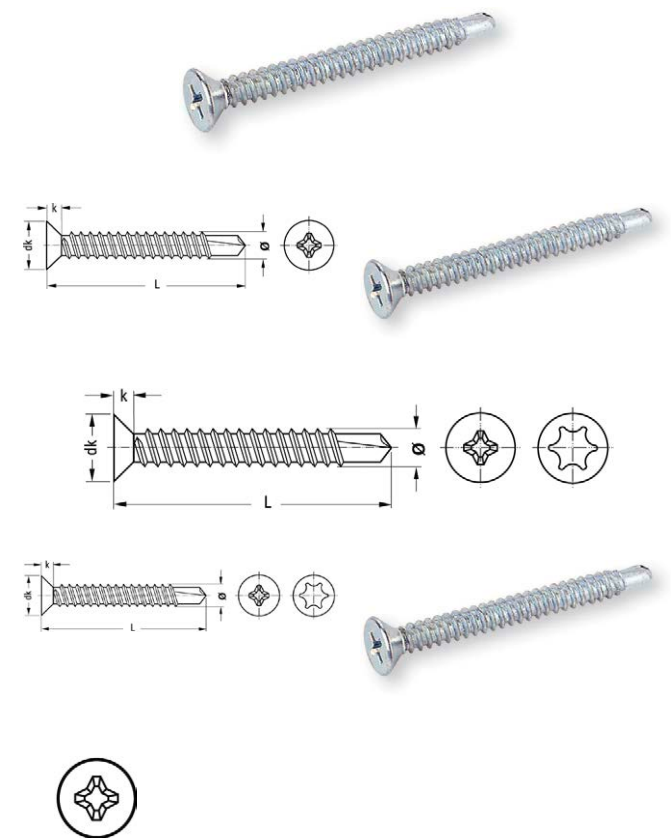
Processing Information

- Use machines with depth stop or slip automatic or automatic switchoff

Technical Data

Norms	DIN 7504
Material	Steel

Title	Dimension	Thread length	Length Of The Drill Head Bl	Drilling range	Drive	PU Piece	Article No.
Self Drilling Screw DIN 7504	3.5 x 13 mm	6.2 mm	6 mm	0.7 - 2.25 mm	PH 2	500	242624
Self Drilling Screw DIN 7504	3.5 x 16 mm	9.2 mm	6 mm	0.7 - 2.25 mm	PH 2	500	242632
Self Drilling Screw DIN 7504	3.5 x 19 mm	12.1 mm	6 mm	0.7 - 2.25 mm	PH 2	500	242640
Countersunk Self Drilling Screw	3.5 x 25 mm	15.1 mm	6 mm	0.7 - 2.25 mm	PH 2	500	828626
Countersunk Self Drilling Screw	3.9 x 13 mm	5.8 mm	7 mm	0.7 - 2.4 mm	PH 2	500	828633
Countersunk Self Drilling Screw	3.9 x 16 mm	8.8 mm	7 mm	0.7 - 2.4 mm	PH 2	500	166413
Countersunk Self Drilling Screw	3.9 x 19 mm	11.7 mm	7 mm	0.7 - 2.4 mm	PH 2	500	168513
Countersunk Self Drilling Screw	3.9 x 22 mm	14.7 mm	7 mm	0.7 - 2.4 mm	PH 2	500	168521
Countersunk Self Drilling Screw	3.9 x 25 mm	17.7 mm	7 mm	0.7 - 2.4 mm	PH 2	500	168530
Countersunk Self Drilling Screw	3.9 x 32 mm	24.5 mm	7 mm	0.7 - 2.4 mm	PH 2	500	828640



Title	Dimension	Thread length	Length Of The Drill Head Bl	Drilling range	Drive	PU Piece	Article No.
SCREW DIN 7504-O 4.2X 13 ZP	4.2 x 13 mm	4.3 mm	9 mm	0.7 - 3 mm	PH 2	500	242659
Self Drilling Screw DIN 7504	4.2 x 16 mm	7.3 mm	9 mm	1.75 - 3 mm	PH 2	500	168548
Self Drilling Screw DIN 7504	4.2 x 19 mm	10.3 mm	9 mm	1.75 - 3 mm	PH 2	500	168556
Self Drilling Screw DIN 7504	4.2 x 22 mm	13.3 mm	9 mm	1.75 - 3 mm	PH 2	500	168564
Countersunk Self Drilling Screw	4.2 x 25 mm	16.3 mm	9 mm	1.75 - 3 mm	PH 2	500	168572
Countersunk Self Drilling Screw	4.2 x 32 mm	23 mm	9 mm	1.75 - 3 mm	PH 2	250	070045
Countersunk Self Drilling Screw	4.8 x 16 mm	5.8 mm	10 mm	1.75 - 4.4 mm	PH 2	500	242667
Self Drilling Screw DIN 7504	4.8 x 19 mm	8.7 mm	10 mm	1.75 - 4.4 mm	PH 2	500	242675
Self Drilling Screw DIN 7504	4.8 x 22 mm	11.7 mm	10 mm	1.75 - 4.4 mm	PH 2	500	242683
Countersunk Self Drilling Screw	4.8 x 25 mm	14.7 mm	10 mm	1.75 - 4.4 mm	PH 2	500	126900
Countersunk Self Drilling Screw	4.8 x 32 mm	21.5 mm	10 mm	1.75 - 4.4 mm	PH 2	250	126918
Countersunk Self Drilling Screw	4.8 x 38 mm	27.5 mm	10 mm	1.75 - 4.4 mm	PH 2	250	828688
Countersunk Self Drilling Screw	4.8 x 45 mm	34.5 mm	10 mm	1.75 - 4.4 mm	PH 2	250	828695
Countersunk Self Drilling Screw	4.8 x 50 mm	39.5 mm	10 mm	1.75 - 4.4 mm	PH 2	250	828701

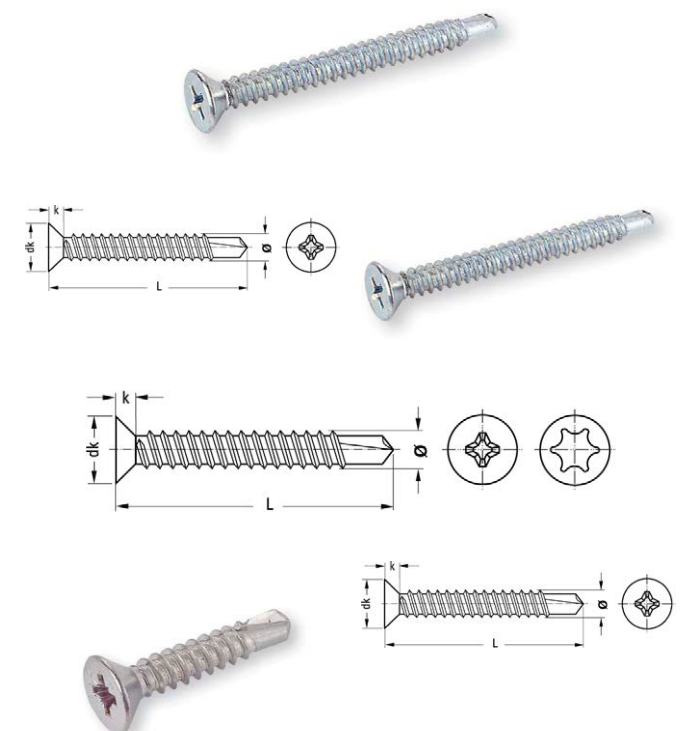
AGR: 00.335

DIN 7504, shape O, countersunk head, cross recess (PH), stainless steel A2

- Stainless steel with Phillips drive
- Drilling, tapping and screw assembly in one operation
- Drillpoint provides accurate hole diameter
- Weatherproof - prevents corrosion on the screw
- EN – ISO 15482
- Recommended speed:
- $\emptyset - 3.5 \text{ t} / \text{m } 4.8\text{mm}$: 1800-2500 rpm

Application Area

- For screw connections sheet steel, aluminium sheet, plastic materials and wooden plates without pre-drilling
- Only suitable for soft metals like aluminium, light fixtures plastic
- Suitable for outdoor applications and in wet rooms



Self-tapping screws

Processing Information

- Use machines with depth stop or slip automatic or automatic switchoff



Hints

- Drilling screws made from stainless steel A2 are only suitable for the screwing of plastics or soft metals such as aluminum

Technical Data

Norms	DIN 7504
Material	Stainless Steel A2

Title	Dimension	Thread length	Drive	PU Piece	Article No.
Countersunk Self Drilling Screw DIN 7504 O	3.9 x 13 mm	5.8 mm	PH 2	1000	019612*
Countersunk Self Drilling Screw DIN 7504 O	3.9 x 16 mm	8.8 mm	PH 2	1000	019613*
Countersunk Self Drilling Screw DIN 7504 O	3.9 x 25 mm	17.7 mm	PH 2	1000	019614*
SCREW DIN 7504-O 3,9X38 A2	3.9 x 38 mm	30.5 mm	PH 2	500	096279*
SCREW DIN 7504-O 4.2X13 A2	4.2 x 13 mm	4.3 mm	PH 2	1000	169511*
Countersunk Self Drilling Screw DIN 7504 O	4.2 x 22 mm	13.3 mm	PH 2	1000	169508*
Countersunk Self Drilling Screw DIN 7504 O	4.2 x 38 mm	29 mm	PH 2	1000	169506*
SCREW DIN 7504-O 4,2X50 A2	4.2 x 50 mm	11.7 mm	PH 2	200	096280*
Countersunk Self Drilling Screw DIN 7504 O	4.8 x 16 mm	5.8 mm	PH 2	1000	019615
Countersunk Self Drilling Screw DIN 7504 O	4.8 x 19 mm	8.7 mm	PH 2	1000	019616*
SCREW DIN 7504-O 4,8X22 A2	4.8 x 22 mm	11.7 mm	PH 2	1000	136104*
Countersunk Self Drilling Screw DIN 7504 O	4.8 x 32 mm	21.5 mm	PH 2	1000	019617*
Countersunk Self Drilling Screw DIN 7504 O	4.8 x 38 mm	27.5 mm	PH 2	1000	136105*
Countersunk Self Drilling Screw DIN 7504 O	4.8 x 45 mm	34.5 mm	PH 2	1000	019618*
Countersunk Self Drilling Screw DIN 7504 O	4.8 x 50 mm	39.5 mm	PH 2	500	136106*
SCREW DIN 7504-O 4,8X60 A2	4.8 x 60 mm	-	PH 2	200	096281*

* = The delivery time is 14 days

AGR: 00.338

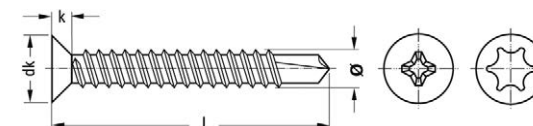
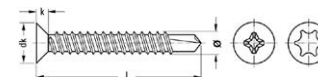
DIN 7504, shape O, countersunk head, TX, steel zinc plated

Technical Data



Self-tapping screws

Norms DIN 7504
Material Steel



Title	Dimension	Thread length	Drive	PU Piece	Article No.
DRILLINGSCR.7504-O TX 3,9X19ZP	3.9 x 19 mm	11.7 mm	TX 20	500	007197

AGR: 00.335

1

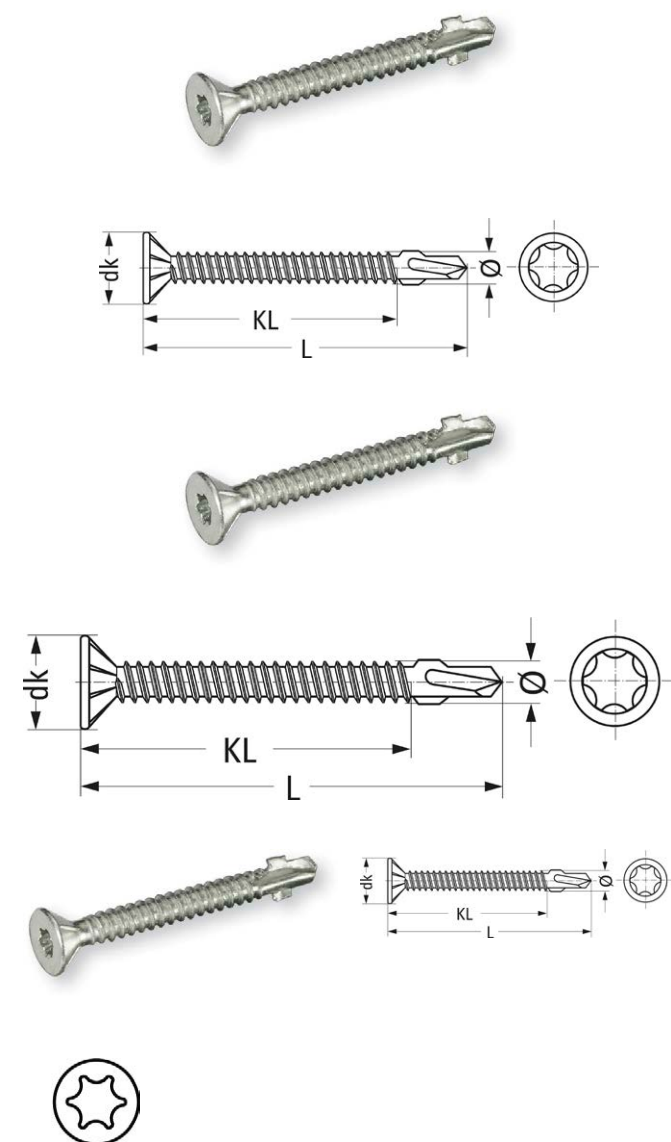
Drilling Screw with Wings zinc plated

Application Area

- Mounting of hard and soft wood on steel substructures

Characteristics

- TX drive, galvanized steel, case hardened



Title	Dimension	Drive	Ø head	Surface protection	Clamping Length, Maximum	PU Piece	Article No.
DRILL.SCR.W.WINGS 6.3X70 ZP	6.3 x 70 mm	TX 30	12 mm	zinc plated	43 mm	100	168941
DRILL.SCR.W.WINGS 6.3X80 ZP	6.3 x 80 mm	TX 30	12 mm	zinc plated	53 mm	100	170707

AGR: 00.343

Countersunk with Milling Ribs, Self-tapping Screw Thread

- Drilling, tapping and screwing in one operation, thus saving up to 50% possible



INTERNAL/Approved (2019-03-22 12:16:17)

- No additional forcible feedthrough, thus easier processing compared to normal drilling screws
- Tip automatically drills an exact fitting hole and threads are automatically formed

Application Area

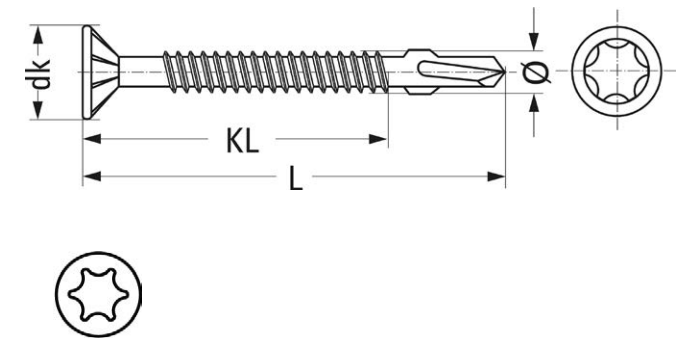
- Fixing of hard and soft wood on steel substructures

Characteristics

- TX-drive, yellow galvanized steel, hardened insert

Processing Information

- Use machines with depth stop, slip or automatic cut-off
Please observe the indicated processing speeds
Galvanized screws are not permanently resistant to corrosion in outdoor areas and in damp areas
The suitability of drill screws with flare blades must be tested for each application by suitable preliminary tests



1

Title	Dimension	Drive	Ø head	Surface protection	Processing speed	Clamping Length, Maximum	PU Piece	Article No.
DR.SCR.WINGS W.RH TX 5.5X45 RU	5.5 x 45 mm	TX 30	12 mm	martensitic	1000 - 1800 r/min	30 mm	100	052902
DR.SCR.WINGS W.RH TX 5.5X50 RU	5.5 x 50 mm	TX 30	12 mm	martensitic	1000 - 1800 r/min	35 mm	100	052903
DR.SCR.WINGS W.RH TX 6.3X60 RU	6.3 x 60 mm	TX 30	12 mm	martensitic	1000 - 1800 r/min	45 mm	100	052904

AGR: 00.343

Countersunk Self Drilling Screws martensitic

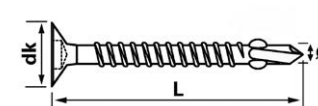
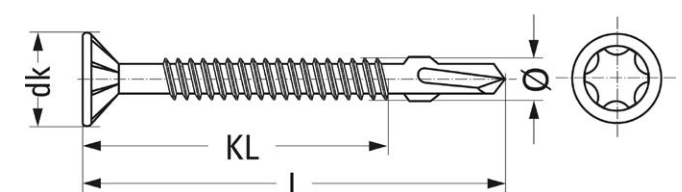
- Drilling, tapping and screwing in one operation, thus saving up to 50% possible
- No additional forcible feedthrough, thus easier processing compared to normal drilling screws
- Tip automatically drills an exact fitting hole and threads are automatically formed

Application Area

- Mounting of hard and soft wood on steel substructures
- Ideal for screw connections outdoors and in damp rooms

Characteristics

- TX drive, stainless steel martensitic, hardened



Self-tapping screws

1

Processing Information

- Use machines with depth stop, slip or automatic cut-off
Please observe the indicated processing speeds
Galvanized screws are not permanently resistant to corrosion in outdoor areas and in damp areas
The suitability of drill screws with flare blades must be tested for each application by suitable preliminary tests



Title	Dimension	Drive	Ø head	Surface protection	Processing speed	Clamping Length, Maximum	PU Piece	Article No.
C/sunk self drilling Screw	5.5 x 38 mm	TX 30	10.8 mm	plain	1000 - 1800 r/min	23 mm	100	003507
C/Sunk self drilling screw	5.5 x 45 mm	TX 30	10.8 mm	plain	1000 - 1800 r/min	30 mm	100	001691
C/Sunk self drilling screw	5.5 x 50 mm	TX 30	10.8 mm	plain	1000 - 1800 r/min	35 mm	100	001692
C/Sunk self drilling screw	5.5 x 60 mm	TX 30	10.8 mm	plain	1000 - 1800 r/min	45 mm	100	003508
C/Sunk self drilling screw	6.3 x 60 mm	TX 30	12 mm	plain	1000 - 1800 r/min	45 mm	100	001693
C/Sunk self drilling screw	6.3 x 85 mm	TX 30	12 mm	plain	1000 - 1800 r/min	70 mm	100	003511

AGR: 00.343

Drilling screws, flat round head with flange, cross recess (PH), steel zinc plated

Characteristics

- PH galvanized

Technical Data

Material Steel



Title	Dimension	PU Piece	Article No.
FLANGE SCREW BS 4,2X19 ZP	4.2 x 19 mm	500	039898

AGR: 00.299

1

Drilling screws, flat round head with flange, cross recess (PH), steel zinc plated

Application Area

- The pressured disc is particularly suitable for the attachment of soft materials
- Particularly suitable for the attachment of thin sheets of all kinds and plastics

Characteristics

- Drive PH 2
- Flat head Ø 10.5 mm

Technical Data

Norms	-
Material	Steel zinc plated



Title	Dimension	Drive	PU Piece	Article No.
SHOULDERED SCREW PH 4,2X13 ZI	4.2 x 13 mm	PH	1000	200920
SHOULDERED SCREW PH 4,2X16 ZI	4.2 x 16 mm	PH	1000	200924
SHOULDERED SCREW PH 4,2X19 ZI	4.2 x 19 mm	PH	1000	200922
SHOULDERED SCREW PH 4,2X22 ZI	4.2 x 22 mm	PH	1000	200921
SHOULDERED SCREW PH 4,2X25 ZI	4.2 x 25 mm	PH	500	200926
SHOULDERED SCREW PZ 4,2X41 ZI	4.2 x 41 mm	PH	500	207580

AGR: 00.305

Window Screw Countersunk PH CR with ribs

1

- Additional ribs facilitate the sinking of the screw head into plastic
- With non-threaded drillbit

Application Area

- For metalcore and fitting attachment in PVC profiles <soft return/>with drawn-in bars and reinforcement steel/aluminum up to 2.5 mm thickness

Characteristics

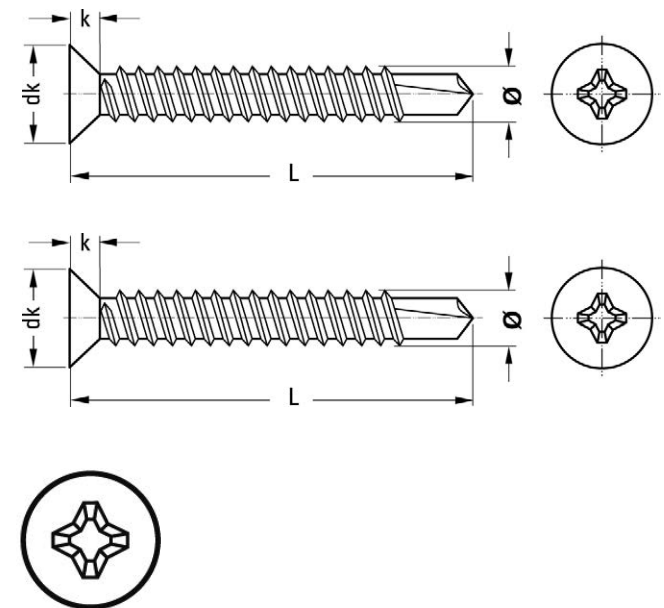
- PH chromated

Processing Information

- For metal core mounting, single-walled profiles

Technical Data

Surface protection	chromed
Material	Steel
Type, Screw	Window srolling screw



Title	Dimension	Ø head	Drive	PU Piece	Article No.
W-SCREW. SFK PH 3,9X16 CR	3.9 x 16 mm	7.5 mm	PH 2	1000	054034
W-SCREW. SFK PH 3,9X19 CR	3.9 x 19 mm	7.5 mm	PH 2	1000	054035
W-SCREW. SFK PH 3,9X25 CR	3.9 x 25 mm	7.5 mm	PH 2	1000	054036
W-SCREW. SK PH 3,9X32 CR	3.9 x 32 mm	7.5 mm	PH 2	1000	054037

INTERNAL/Approved (2019-03-22 12:16:47)

Window Screw Countersunk-Head PH Hilo CR

- Hilo thread for a fast screwing-in into the PVC profile

Application Area

- For fitting attachment in PVC profiles without reinforcement

Characteristics

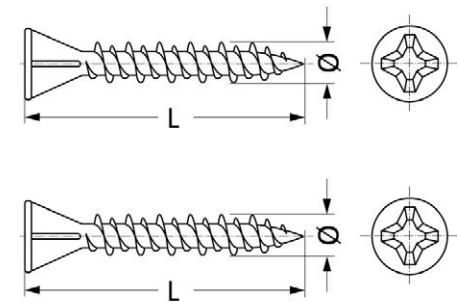
- PH chromated

Processing Information

- For single-walled profiles

Technical Data

Surface protection	chromed
Head shape	Countersunk head
Material	Steel
Type, Screw	Window construction screw



Title	Dimension	Ø head	Drive	PU Piece	Article No.
W-SCREW. SK PH HILO 3,9X25 CR	3.9 x 25 mm	7.5 mm	PH 2	1000	054039
W-SCREW. SK PH HILO 3,9X30 CR	3.9 x 30 mm	7.5 mm	PH 2	1000	054040

AGR: 00.360

Window Screw Countersunk-Head PH CR

1

Application Area

- For fitting attachment in PVC profiles without reinforcement

Characteristics

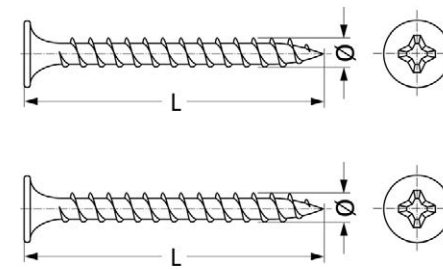
- PH chromated

Processing Information

- For single-walled profiles

Technical Data

Surface protection	chromed
Head shape	Countersunk head
Material	Steel
Type, Screw	Window construction screw



Title	Dimension	Ø head	Drive	PU Piece	Article No.
W-SCREW. SK PH 4,0X35 CR	4 x 35 mm	7.5 mm	PH 2	1000	054042

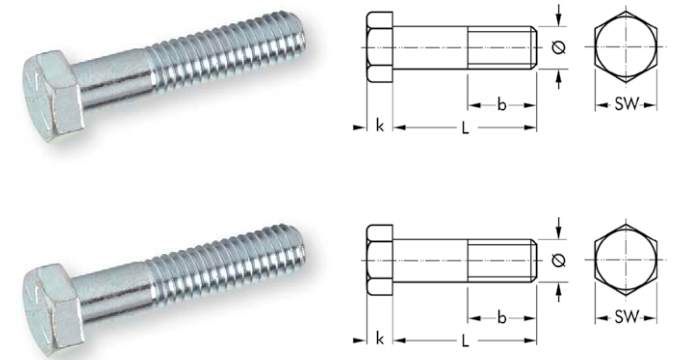
AGR: 00.363

DIN 931, hexagon head, steel 8.8, zinc plated

- Electroplated version. Quality 8.8
- Hexagon with metric coarse thread

Hints

- \varnothing M10, M12 and M14 are supplied according to DIN 931
- DIN-ISO Difference in width across flats: softreturn/>M10: DIN=17
- ISO=16
M12: DIN=19
- ISO=18
M14: DIN=22
- ISO=21
M22: DIN=32
- ISO=34



Metric and inch screws

1

Thread	M 3	M 4	M 5	M 6	M 7
Thread Pitch mm	0.5 mm	0.7 mm	0.8 mm	1 mm	1 mm
Height Of Head (k)	2 mm	2.8 mm	3.5 mm	4 mm	4.8 mm
Wrench Width	5.5 mm	7 mm	8 mm	10 mm	11 mm
Thread	M 8	M 10	M 12	M 14	M 16
Thread Pitch mm	1.25 mm	1.5 mm	1.75 mm	2 mm	2 mm
Height Of Head (k)	5.3 mm	6.4 mm	7.5 mm	8.8 mm	10 mm
Wrench Width	13 mm	17 mm	19 mm	22 mm	24 mm
Thread	M 18	M 20	M 22	M 24	M 27
Thread Pitch mm	2.5 mm	2.5 mm	2.5 mm	3 mm	3 mm
Height Of Head (k)	11.5 mm	12.5 mm	14 mm	15 mm	17 mm
Wrench Width	27 mm	30 mm	32 mm	36 mm	41 mm
Thread	M 30	M 33	M 36	M 39	M 42
Thread Pitch mm	3.5 mm	3.5 mm	4 mm	4 mm	4.5 mm
Height Of Head (k)	18.7 mm	21 mm	22.5 mm	25 mm	26 mm
Wrench Width	46 mm	50 mm	55 mm	60 mm	65 mm
Thread	M 48				
Thread Pitch mm	5 mm				
Height Of Head (k)	30 mm				
Wrench Width	75 mm				

DIN 931, hexagon head, steel 8.8, zinc plated		
Dimensions	PU Piece	Article No.
M 3 x 30	500	125778*
M 3 x 35	500	125779*
M 3 x 40	500	125780*
M 4 x 25	500	097845*
M 4 x 30	200	052619
M 4 x 35	500	097861*
M 4 x 40	200	528838
M 4 x 45	500	032852*

DIN 931, hexagon head, steel 8.8, zinc plated		
Dimensions	PU Piece	Article No.
M 4 x 50	200	930612*
M 4 x 55	200	125781*
M 4 x 60	200	052620
M 4 x 70	200	125782*
M 4 x 80	200	125783*
M 5 x 30	100	097888
M 5 x 35	100	405272
M 5 x 40	100	405280

DIN 931, hexagon head, steel 8.8, zinc plated		
Dimensions	PU Piece	Article No.
M 5 x 45	100	097918
M 5 x 50	100	097926
M 5 x 55	200	405299*
M 5 x 60	100	405302
M 5 x 65	200	102966*
M 5 x 70	100	405310
M 5 x 80	100	405329
M 5 x 85	200	125784*

INTERNAL/Approved (2019-03-22 12:19:46)

Metric and inch screws

1

DIN 931, hexagon head, steel 8.8, zinc plated		
Dimensions	PU Piece	Article No.
M 5 x 90	200	125785*
M 5 x 95	200	125786*
M 5 x 100	200	075660*
M 5 x 120	200	075661*
M 5 x 130	200	125787*
M 6 x 30	100	097934
M 6 x 35	100	097942
M 6 x 40	100	097950
M 6 x 45	100	097969
M 6 x 50	100	097977
M 6 x 55	100	097985
M 6 x 60	100	097993
M 6 x 65	200	513148*
M 6 x 70	100	098000
M 6 x 75	100	098019*
M 6 x 80	100	098027
M 6 x 85	100	930604*
M 6 x 90	100	405337
M 6 x 95	100	125788*
M 6 x 100	100	405345
M 6 x 105	100	125789*
M 6 x 110	100	405353*
M 6 x 120	100	405361
M 6 x 130	100	125790*
M 6 x 140	100	125791*
M 6 x 150	100	125793*
M 6 x 160	100	125794*
M 6 x 170	100	125795*
M 6 x 180	100	125796*
M 6 x 190	100	125797*
M 6 x 200	100	125798*

DIN 931, hexagon head, steel 8.8, zinc plated		
Dimensions	PU Piece	Article No.
M 7 x 40	200	405396*
M 7 x 50	200	405418*
M 7 x 60	200	405426*
M 8 x 30	100	032866
M 8 x 35	100	098035
M 8 x 40	100	098043
M 8 x 45	100	098051
M 8 x 50	100	098060
M 8 x 55	100	098078
M 8 x 60	100	098086
M 8 x 65	100	098094
M 8 x 70	100	098108
M 8 x 75	100	098116*
M 8 x 80	100	098124
M 8 x 85	25	027506*
M 8 x 90	50	098132
M 8 x 95	100	125799*
M 8 x 100	50	405450
M 8 x 110	50	405469
M 8 x 115	100	125800*
M 8 x 120	50	405477
M 8 x 125	100	125801*
M 8 x 130	50	405485
M 8 x 135	100	125802*
M 8 x 140	25	405493*
M 8 x 145	100	125803*
M 8 x 150	25	405507*
M 8 x 160	25	405515*
M 8 x 170	100	405523*
M 8 x 180	100	528870*
M 8 x 190	100	125804*

DIN 931, hexagon head, steel 8.8, zinc plated		
Dimensions	PU Piece	Article No.
M 8 x 200	100	075665*
M 8 x 210	100	125805*
M 8 x 220	100	075666*
M 10 x 40	100	098140
M 10 x 45	100	098159
M 10 x 50	100	098167
M 10 x 55	100	098175
M 10 x 60	100	098183
M 10 x 65	100	098191
M 10 x 70	50	098205
M 10 x 75	50	098213*
M 10 x 80	50	098221
M 10 x 85	100	098230*
M 10 x 90	50	098248
M 10 x 95	100	125807*
M 10 x 100	50	098256
M 10 x 105	50	125808*
M 10 x 110	50	405531
M 10 x 115	50	125809*
M 10 x 120	50	405540
M 10 x 130	25	405558
M 10 x 140	25	405566
M 10 x 150	25	405574
M 10 x 160	25	405582
M 10 x 170	10	405590*
M 10 x 180	25	513156
M 10 x 190	50	125810*
M 10 x 200	25	102967
M 10 x 210	50	125811*
M 10 x 220	50	102968*
M 10 x 230	50	125812*

INTERNAL/Approved (2019-03-22 12:19:53)

Metric and inch screws

1

DIN 931, hexagon head, steel 8.8, zinc plated		
Dimensions	PU Piece	Article No.
M 10 x 240	50	102969*
M 10 x 250	50	125813*
M 10 x 260	50	125815*
M 10 x 270	50	125816*
M 10 x 280	50	102971*
M 10 x 290	50	125817*
M 10 x 300	50	125818*
M 12 x 40	100	500399
M 12 x 45	50	098264
M 12 x 50	50	098272
M 12 x 55	50	098280
M 12 x 60	50	098299
M 12 x 65	50	098302
M 12 x 70	50	098310
M 12 x 75	50	098329
M 12 x 80	50	098337
M 12 x 85	50	405604*
M 12 x 90	50	405612
M 12 x 95	50	405620*
M 12 x 100	50	405639
M 12 x 110	25	405647
M 12 x 115	50	125819*
M 12 x 120	25	405655
M 12 x 130	25	405663
M 12 x 140	25	405671
M 12 x 150	25	405680
M 12 x 160	25	405698
M 12 x 170	10	405701*
M 12 x 180	10	405710
M 12 x 190	25	125820*
M 12 x 200	10	405728

DIN 931, hexagon head, steel 8.8, zinc plated		
Dimensions	PU Piece	Article No.
M 12 x 210	25	125821*
M 12 x 220	25	530140*
M 12 x 230	25	125823*
M 12 x 240	25	530158*
M 12 x 250	25	125824*
M 12 x 260	25	915670*
M 12 x 270	25	125825*
M 12 x 280	25	075669*
M 12 x 290	25	125826*
M 12 x 300	25	075670*
M 12 x 310	25	125827*
M 12 x 320	25	125828*
M 12 x 330	1	125829*
M 14 x 50	50	405736
M 14 x 55	50	405744
M 14 x 60	50	405752
M 14 x 65	25	405760*
M 14 x 70	50	405779
M 14 x 75	10	405787*
M 14 x 80	25	405795
M 14 x 85	50	125831*
M 14 x 90	25	405809
M 14 x 95	50	125832*
M 14 x 100	25	405817
M 14 x 110	25	405825*
M 14 x 120	25	405833
M 14 x 130	25	405841
M 14 x 140	25	405850
M 14 x 150	25	405868*
M 14 x 160	25	405876
M 14 x 170	10	405884*

DIN 931, hexagon head, steel 8.8, zinc plated		
Dimensions	PU Piece	Article No.
M 14 x 180	10	405892*
M 14 x 190	25	405906*
M 14 x 200	10	405914*
M 14 x 220	25	125833*
M 14 x 240	25	125834*
M 16 x 50	50	098345
M 16 x 55	50	098353
M 16 x 60	50	098361
M 16 x 65	25	405922
M 16 x 70	25	405930
M 16 x 75	10	405949*
M 16 x 80	25	405957
M 16 x 85	25	125835*
M 16 x 90	25	405965
M 16 x 95	25	125836*
M 16 x 100	25	405973
M 16 x 110	25	405981
M 16 x 120	25	405990
M 16 x 130	25	406007
M 16 x 140	25	406015
M 16 x 150	25	406023
M 16 x 160	25	406031
M 16 x 170	10	406040*
M 16 x 180	10	406058
M 16 x 190	25	406066*
M 16 x 200	10	406074
M 16 x 210	25	125837*
M 16 x 220	10	406082
M 16 x 230	1	125838*
M 16 x 240	10	406090
M 16 x 250	1	125839*

INTERNAL/Approved (2019-03-22 12:20:37)

Metric and inch screws

1

DIN 931, hexagon head, steel 8.8, zinc plated		
Dimensions	PU Piece	Article No.
M 16 x 260	1	406104*
M 16 x 270	1	125840*
M 16 x 280	10	406112*
M 16 x 290	1	125841*
M 16 x 300	10	406120*
M 16 x 310	1	125842*
M 16 x 320	1	125843*
M 16 x 330	1	125844*
M 16 x 340	1	125845*
M 16 x 350	1	125846*
M 16 x 360	1	125847*
M 16 x 370	1	125848*
M 16 x 380	1	125850*
M 16 x 390	1	125851*
M 16 x 400	1	125852*
M 16 x 420	1	125853*
M 16 x 430	1	125854*
M 16 x 440	1	125855*
M 18 x 60	25	406139
M 18 x 65	25	406147*
M 18 x 70	25	406155
M 18 x 75	10	406163*
M 18 x 80	25	406171
M 18 x 90	10	406180
M 18 x 95	25	125856*
M 18 x 100	10	406198
M 18 x 110	10	406201*
M 18 x 120	10	406210
M 18 x 130	10	406228*
M 18 x 140	10	406236
M 18 x 160	10	406244

DIN 931, hexagon head, steel 8.8, zinc plated		
Dimensions	PU Piece	Article No.
M 18 x 170	25	125857*
M 18 x 180	10	406252*
M 18 x 190	1	125858*
M 18 x 200	1	513172*
M 18 x 220	1	125859*
M 18 x 230	1	125860*
M 18 x 240	1	125861*
M 20 x 60	25	513180
M 20 x 65	10	406260*
M 20 x 70	25	406279
M 20 x 75	25	513199*
M 20 x 80	25	406287
M 20 x 85	25	125862*
M 20 x 90	25	406295
M 20 x 95	25	125863*
M 20 x 100	25	406309
M 20 x 110	10	406317
M 20 x 120	10	406325
M 20 x 130	10	406333
M 20 x 140	10	406341
M 20 x 150	10	406350
M 20 x 160	10	406368
M 20 x 170	10	406376*
M 20 x 180	10	406384
M 20 x 190	1	012812*
M 20 x 200	10	406392
M 20 x 210	1	125864*
M 20 x 220	10	406406
M 20 x 230	1	046589*
M 20 x 240	10	406414*
M 20 x 250	1	125865*

DIN 931, hexagon head, steel 8.8, zinc plated		
Dimensions	PU Piece	Article No.
M 20 x 260	10	406422*
M 20 x 270	1	125866*
M 20 x 280	1	406430*
M 20 x 290	10	125867*
M 20 x 300	1	406449*
M 20 x 310	1	125868*
M 20 x 320	1	075672*
M 20 x 330	1	125869*
M 20 x 340	1	406465*
M 20 x 350	1	125870*
M 20 x 360	1	075673*
M 20 x 380	1	075674*
M 20 x 390	1	125871*
M 20 x 400	1	125872*
M 20 x 420	1	125873*
M 20 x 430	1	125874*
M 20 x 440	1	125875*
M 20 x 450	1	125876*
M 20 x 460	1	125877*
M 20 x 480	1	125878*
M 20 x 500	1	125879*
M 22 x 70	25	044335*
M 22 x 75	25	125880*
M 22 x 80	10	406473*
M 22 x 90	10	406481*
M 22 x 100	10	406490*
M 22 x 110	10	125881*
M 22 x 120	10	406503*
M 22 x 130	10	125882*
M 22 x 140	10	012871*
M 22 x 150	10	125883*

INTERNAL/Approved (2019-03-22 12:20:38)

Metric and inch screws

1

DIN 931, hexagon head, steel 8.8, zinc plated		
Dimensions	PU Piece	Article No.
M 22 x 160	10	406511*
M 22 x 180	10	046591*
M 22 x 200	10	406520*
M 22 x 220	10	046615*
M 22 x 240	10	046617*
M 22 x 260	1	125884*
M 22 x 280	1	125885*
M 22 x 300	1	125886*
M 24 x 70	10	046618
M 24 x 75	25	915757*
M 24 x 80	10	406554
M 24 x 85	10	125887*
M 24 x 90	10	406562*
M 24 x 95	10	125888*
M 24 x 100	10	406570
M 24 x 110	10	406589*
M 24 x 120	10	406597
M 24 x 130	5	406600*
M 24 x 140	5	406619
M 24 x 150	5	406627*
M 24 x 160	5	406635
M 24 x 170	1	125889*
M 24 x 180	5	406643
M 24 x 190	1	125890*
M 24 x 200	5	406651
M 24 x 210	1	125891*
M 24 x 220	5	915769*
M 24 x 230	1	125892*
M 24 x 240	5	915770*
M 24 x 250	1	125893*
M 24 x 260	5	915771*

DIN 931, hexagon head, steel 8.8, zinc plated		
Dimensions	PU Piece	Article No.
M 24 x 270	1	125894*
M 24 x 280	1	075675*
M 24 x 300	1	915773*
M 24 x 310	1	125895*
M 24 x 320	1	075676*
M 24 x 330	1	125896*
M 24 x 340	1	125897*
M 24 x 350	1	125898*
M 24 x 360	1	915776*
M 24 x 380	1	125899*
M 24 x 390	1	125900*
M 24 x 400	1	125901*
M 24 x 410	1	125902*
M 24 x 420	1	125903*
M 24 x 430	1	125904*
M 24 x 440	1	125905*
M 24 x 450	1	125906*
M 27 x 80	5	406660*
M 27 x 90	10	915780*
M 27 x 100	5	406678*
M 27 x 110	1	406686*
M 27 x 120	5	046626*
M 27 x 130	1	075678*
M 27 x 140	5	046627*
M 27 x 150	1	075679*
M 27 x 160	5	046628*
M 27 x 170	1	125907*
M 27 x 180	5	052621*
M 27 x 190	1	125908*
M 27 x 200	5	046629*
M 27 x 220	1	075680*

DIN 931, hexagon head, steel 8.8, zinc plated		
Dimensions	PU Piece	Article No.
M 27 x 230	1	125909*
M 27 x 240	1	075681*
M 27 x 260	1	075682*
M 27 x 270	1	125910*
M 27 x 280	1	075683*
M 27 x 300	1	075684*
M 27 x 320	1	125911*
M 30 x 80	5	046630*
M 30 x 90	1	915793*
M 30 x 100	5	406759*
M 30 x 110	1	406767*
M 30 x 120	5	406775*
M 30 x 130	1	915797*
M 30 x 140	5	046632*
M 30 x 150	1	406805*
M 30 x 160	5	406791*
M 30 x 170	1	125912*
M 30 x 180	5	406813*
M 30 x 190	1	125913*
M 30 x 200	5	915802*
M 30 x 210	1	125914*
M 30 x 220	1	406830*
M 30 x 240	1	061986*
M 30 x 250	10	125915*
M 30 x 260	1	061987*
M 30 x 280	1	061988*
M 30 x 290	1	125916*
M 30 x 300	1	061989*
M 30 x 310	1	125917*
M 30 x 320	1	125918*
M 30 x 330	1	125919*

INTERNAL/Approved (2019-03-22 12:20:43)

DIN 931, hexagon head, steel 8.8, zinc plated		
Dimensions	PU Piece	Article No.
M 30 x 340	1	125920*
M 30 x 350	1	125921*
M 30 x 360	1	125922*
M 30 x 380	1	125923*
M 33 x 100	1	061990*
M 33 x 110	1	061991*
M 33 x 120	1	061992*
M 33 x 130	1	061993*
M 33 x 140	1	061994*
M 33 x 150	1	061995*
M 33 x 160	1	061996*
M 33 x 170	1	125924*
M 33 x 180	1	061997*
M 33 x 190	1	125925*
M 33 x 200	1	061998*
M 33 x 210	1	125926*
M 33 x 220	1	061999*
M 33 x 240	1	062000*
M 33 x 260	1	125927*
M 33 x 280	1	125928*
M 33 x 300	1	125929*
M 36 x 110	1	125930*
M 36 x 120	1	062001*
M 36 x 130	1	062002*

DIN 931, hexagon head, steel 8.8, zinc plated		
Dimensions	PU Piece	Article No.
M 36 x 140	1	125931*
M 36 x 150	1	062003*
M 36 x 160	1	062004*
M 36 x 170	1	125932*
M 36 x 180	1	062005*
M 36 x 190	1	125933*
M 36 x 200	1	062006*
M 36 x 210	1	125934*
M 36 x 220	1	125935*
M 36 x 230	1	125936*
M 36 x 240	1	125937*
M 36 x 250	1	125938*
M 36 x 260	1	125939*
M 36 x 280	1	125940*
M 36 x 300	1	125941*
M 36 x 320	1	125942*
M 36 x 360	1	125943*
M 36 x 400	1	125944*
M 39 x 140	1	125945*
M 39 x 150	1	125946*
M 39 x 160	1	125947*
M 39 x 170	1	125948*
M 39 x 180	1	125949*
M 39 x 190	1	125950*

DIN 931, hexagon head, steel 8.8, zinc plated		
Dimensions	PU Piece	Article No.
M 39 x 200	1	125951*
M 42 x 120	1	125952*
M 42 x 130	1	125953*
M 42 x 140	1	125954*
M 42 x 150	1	125955*
M 42 x 160	1	125956*
M 42 x 170	1	125957*
M 42 x 180	1	125958*
M 42 x 190	1	125959*
M 42 x 200	1	125960*
M 42 x 220	1	125961*
M 42 x 240	1	125962*
M 42 x 250	1	125963*
M 42 x 260	1	125964*
M 42 x 280	1	125965*
M 48 x 140	1	125966*
M 48 x 150	1	125967*
M 48 x 160	1	125968*
M 48 x 170	1	125969*
M 48 x 180	1	125970*
M 48 x 200	1	125971*
M 48 x 220	1	125972*
M 48 x 240	1	125973*

* = The delivery time is 10 days
AGR: 00.103

DIN 931, hexagon head, steel 8.8U, hot dip galvanized

Characteristics

- Thread tolerance 6h (6AZ tZn + = U)



INTERNAL/Approved (2019-03-22 12:20:44)

Metric and inch screws

Hints

1

- Risk of fitting problems: The galvanized screws (6AZ tolerance) made with thread undersized, so the bolt thread is ISO-fits after galvanizing. The use of nut thread type undersize (tolerance 6AZ) can lead to problems bolting and / or failure of the connection - see technical information

Thread	M 8	M 10	M 12	M 16	M 20
Thread Pitch mm	1.25 mm	1.5 mm	1.75 mm	2 mm	2.5 mm
Height Of Head (k)	5.3 mm	6.4 mm	7.5 mm	10 mm	12.5 mm
Wrench Width	13 mm	17 mm	19 mm	24 mm	30 mm
Thread	M 24	M 27	M 30	M 33	M 36
Thread Pitch mm	3 mm	3 mm	3.5 mm	3.5 mm	4 mm
Height Of Head (k)	15 mm	17 mm	18.7 mm	21 mm	22.5 mm
Wrench Width	36 mm	41 mm	46 mm	50 mm	55 mm

DIN 931, hexagon head, steel 8.8U, hot dip galvanized			DIN 931, hexagon head, steel 8.8U, hot dip galvanized			DIN 931, hexagon head, steel 8.8U, hot dip galvanized		
Dimensions	PU Piece	Article No.	Dimensions	PU Piece	Article No.	Dimensions	PU Piece	Article No.
M 8 x 80	200	062180*	x	10	062317*	x	1	062337*
x	25	062280*	x	10	062319*	x	1	062338*
x	25	062281*	x	10	062320*	x	1	062339*
x	25	062282*	x	10	062321*	x	1	062340*
x	25	062283*	x	1	062322*	x	1	062341*
x	25	062284*	x	1	062323*	x	1	062342*
x	25	062285*	x	1	062325*	x	1	062343*
x	10	062287*	x	1	062326*	x	10	062334*
x	10	062288*	x	1	062327*	x	1	062351*
x	10	062289*	x	1	062329*	x	1	062352*
x	1	062290*	x	10	062318*	x	1	062353*
x	1	062291*	x	25	062311*	x	1	062354*
x	1	062292*	x	25	062312*	x	1	062355*
x	1	062295*	x	10	062313*	x	1	062356*
x	10	062314*	x	10	062335*	x	1	062357*
x	10	062315*	x	1	062336*	x	1	062358*

INTERNAL/Approved (2019-03-22 12:21:44)

Metric and inch screws

1

DIN 931, hexagon head, steel 8.8U, hot dip galvanized		
Dimensions	PU Piece	Article No.
x	1	062360*
x	1	062361*
x	1	062362*
x	1	062350*
x	1	062363*
x	1	062364*
x	1	062365*
x	1	062366*
x	1	062368*
x	1	062369*
x	1	062370*
x	100	150567*
x	1	149511*
x	25	150570*
x	10	150571*
x	10	150572*
x	1	149284*
x	1	149292*
x	1	149311*
x	1	149326*
x	1	149327*
x	1	149341*
x	1	149349*
x	200	062175*
x	200	150573*
x	200	150574*
x	100	062193*
x	50	062194*
x	50	062195*

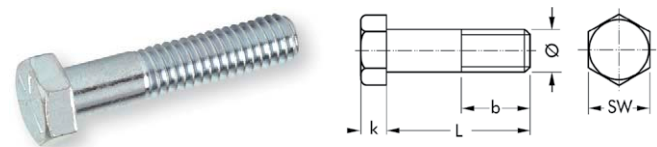
DIN 931, hexagon head, steel 8.8U, hot dip galvanized		
Dimensions	PU Piece	Article No.
x	100	062183*
x	100	062184*
x	100	062185*
x	100	062186*
x	100	062187*
x	100	062188*
x	100	062190*
x	100	062191*
x	100	062192*
x	50	062213*
x	50	062214*
x	50	062215*
x	50	062216*
x	50	062217*
x	50	062218*
x	25	062220*
x	25	062221*
x	25	062222*
x	100	062204*
x	100	062205*
x	100	062206*
x	100	062207*
x	50	062208*
x	50	062209*
x	50	062210*
x	50	062211*
x	50	062212*
x	25	062237*
x	25	062238*

DIN 931, hexagon head, steel 8.8U, hot dip galvanized		
Dimensions	PU Piece	Article No.
x	25	062239*
x	25	062240*
x	25	062241*
x	25	062242*
x	25	062244*
x	25	062245*
x	25	062246*
x	1	062247*
x	1	062248*
x	1	062249*
x	1	062252*
x	50	062229*
x	50	062230*
x	25	062231*
x	25	062232*
x	25	062233*
x	25	062234*
x	25	062236*
x	200	062182*
x	200	062176*
x	200	062177*
x	200	062178*
x	200	062179*
x	25	062274*
x	25	062275*
x	25	062276*
x	25	062277*
x	25	062279*

* = The delivery time is 10 days
 AGR: 00.109

INTERNAL/Approved (2019-03-22 12:22:01)

DIN 931, hexagon head, steel 10.9, zinc plated



Characteristics

- Annealed

Hints

- Risk of hydrogen embrittlement: In galvanic coatings on high strength parts with a tensile strength of 1000 N / mm² (eg, 10.9, 12.9) and springy Share with hardness of 320 HV, the risk of hydrogen embrittlement (brittle fracture) can not be excluded with certainty - see technical information

Thread	M 6	M 8	M 10	M 12	M 14
Thread Pitch mm	1 mm	1.25 mm	1.5 mm	1.75 mm	2 mm
Height Of Head (k)	4 mm	5.3 mm	6.4 mm	7.5 mm	8.8 mm
Wrench Width	10 mm	13 mm	17 mm	19 mm	22 mm
Thread	M 16	M 18	M 20	M 24	M 27
Thread Pitch mm	2 mm	2.5 mm	2.5 mm	3 mm	3 mm
Height Of Head (k)	10 mm	11.5 mm	12.5 mm	15 mm	17 mm
Wrench Width	24 mm	27 mm	30 mm	36 mm	41 mm
Thread	M 30				
Thread Pitch mm	3.5 mm				
Height Of Head (k)	18.7 mm				
Wrench Width	46 mm				

DIN 931, hexagon head, steel 10.9, zinc plated		
Dimensions	PU Piece	Article No.
M 6 x 30	500	125974*
M 6 x 35	200	125975*
M 6 x 40	200	125976*
M 6 x 45	200	125977*
M 6 x 50	200	125978*
M 6 x 55	200	125979*
M 6 x 60	200	125980*
M 6 x 65	200	125981*

DIN 931, hexagon head, steel 10.9, zinc plated		
Dimensions	PU Piece	Article No.
M 6 x 70	200	125982*
M 6 x 80	200	125983*
M 6 x 90	200	125984*
M 6 x 100	100	125985*
M 8 x 35	200	125986*
M 8 x 40	200	125987*
M 8 x 45	200	125988*
M 8 x 50	200	125990*

DIN 931, hexagon head, steel 10.9, zinc plated		
Dimensions	PU Piece	Article No.
M 8 x 55	200	125991*
M 8 x 60	200	125992*
M 8 x 65	200	125993*
M 8 x 70	200	125994*
M 8 x 75	200	125995*
M 8 x 80	200	125996*
M 8 x 100	100	125997*
M 8 x 110	100	125998*

Metric and inch screws

1

DIN 931, hexagon head, steel 10.9, zinc plated		
Dimensions	PU Piece	Article No.
M 8 x 120	100	125999*
M 8 x 130	100	126000*
M 8 x 140	100	126007*
M 8 x 150	100	126008*
M 10 x 40	100	126009*
M 10 x 45	100	126012*
M 10 x 50	100	121318*
M 10 x 55	100	167963*
M 10 x 60	100	121319*
M 10 x 65	100	126013*
M 10 x 70	100	121321*
M 10 x 75	100	126014*
M 10 x 80	100	126015*
M 10 x 90	100	126016*
M 10 x 100	100	126017*
M 10 x 110	50	126018*
M 10 x 120	50	126019*
M 10 x 130	50	126020*
M 10 x 140	100	126021*
M 10 x 150	50	126022*
M 10 x 160	50	126023*
M 10 x 170	50	126024*
M 10 x 180	50	126025*
M 12 x 45	100	126026*
M 12 x 50	100	126027*
M 12 x 55	100	121322*
M 12 x 60	100	121323*
M 12 x 65	50	126028*
M 12 x 70	50	121324*
M 12 x 75	50	126029*
M 12 x 80	50	126030

DIN 931, hexagon head, steel 10.9, zinc plated		
Dimensions	PU Piece	Article No.
M 12 x 85	50	126031*
M 12 x 90	50	126032*
M 12 x 95	50	126033*
M 12 x 100	50	121325*
M 12 x 110	50	126034*
M 12 x 120	50	126035
M 12 x 130	50	126036*
M 12 x 140	50	126037*
M 12 x 150	50	126038*
M 12 x 160	25	126039*
M 12 x 170	25	126040*
M 12 x 180	25	126041*
M 12 x 190	25	126042*
M 12 x 200	25	126043*
M 14 x 45	100	126044*
M 14 x 50	50	126045*
M 14 x 55	50	126046*
M 14 x 60	50	121326*
M 14 x 70	50	121327*
M 14 x 75	50	126047*
M 14 x 80	50	121328*
M 14 x 90	50	126048*
M 14 x 100	50	126049*
M 14 x 110	50	126055*
M 14 x 120	50	126056*
M 14 x 130	50	126057*
M 14 x 140	25	126058*
M 14 x 150	25	126059*
M 16 x 55	50	126064*
M 16 x 60	50	121329*
M 16 x 65	25	126069*

DIN 931, hexagon head, steel 10.9, zinc plated		
Dimensions	PU Piece	Article No.
M 16 x 70	25	121330*
M 16 x 75	25	126070*
M 16 x 80	25	167964
M 16 x 90	25	167965*
M 16 x 100	25	121331*
M 16 x 110	25	126071*
M 16 x 120	25	121332*
M 16 x 130	25	126072*
M 16 x 140	25	126073*
M 16 x 150	25	126074*
M 16 x 160	25	121333*
M 16 x 170	25	126075*
M 16 x 180	25	121334*
M 16 x 190	25	126076*
M 16 x 200	25	126077*
M 16 x 210	25	126078*
M 16 x 230	25	126079*
M 16 x 240	25	126080*
M 16 x 250	25	126081*
M 16 x 260	25	126082*
M 16 x 270	25	126083*
M 16 x 280	25	126084*
M 18 x 65	25	126086*
M 18 x 70	25	126087*
M 18 x 80	25	126088*
M 18 x 90	25	126089*
M 18 x 100	25	126090*
M 18 x 110	25	126091*
M 18 x 120	25	126092*
M 18 x 130	25	126093*
M 18 x 140	25	126094*

INTERNAL/Approved (2019-03-22 12:24:14)

Metric and inch screws

1

DIN 931, hexagon head, steel 10.9, zinc plated		
Dimensions	PU Piece	Article No.
M 18 x 160	25	126095*
M 20 x 65	25	126096*
M 20 x 70	25	121335*
M 20 x 75	25	126097*
M 20 x 80	25	121336*
M 20 x 85	25	126098*
M 20 x 90	25	121337*
M 20 x 100	25	126099*
M 20 x 110	25	121338*
M 20 x 115	25	126100*
M 20 x 120	25	126102*
M 20 x 130	25	126103*
M 20 x 140	25	121340*
M 20 x 150	25	126104*
M 20 x 160	10	126105*
M 20 x 170	10	126106*
M 20 x 180	10	126107*
M 20 x 200	10	121341*
M 20 x 220	1	126108*
M 20 x 230	1	126109*
M 20 x 240	1	126111*
M 20 x 250	1	126112*
M 20 x 260	1	126113*
M 20 x 270	1	126114*
M 20 x 280	1	126115*
M 20 x 290	1	126116*
M 20 x 300	1	126117*
M 20 x 310	1	126118*

DIN 931, hexagon head, steel 10.9, zinc plated		
Dimensions	PU Piece	Article No.
M 20 x 320	1	126119*
M 20 x 340	1	126120*
M 24 x 75	25	126121*
M 24 x 80	25	126122*
M 24 x 90	10	126123*
M 24 x 100	10	126124*
M 24 x 110	10	126125*
M 24 x 120	10	126126*
M 24 x 130	10	126127*
M 24 x 140	10	126129*
M 24 x 145	10	126130*
M 24 x 150	10	126131*
M 24 x 160	10	126132*
M 24 x 170	1	126133*
M 24 x 180	1	126134*
M 24 x 190	1	126135*
M 24 x 200	1	126136*
M 24 x 220	1	126137*
M 24 x 240	1	126138*
M 24 x 250	1	126139*
M 24 x 260	1	126140*
M 24 x 270	1	126141*
M 24 x 280	1	126142*
M 24 x 290	1	126143*
M 24 x 300	1	126144*
M 27 x 80	10	126145*
M 27 x 90	10	126146*
M 27 x 100	10	126147*

DIN 931, hexagon head, steel 10.9, zinc plated		
Dimensions	PU Piece	Article No.
M 27 x 110	10	126148*
M 27 x 120	10	126149*
M 27 x 130	10	126150*
M 27 x 140	1	126151*
M 30 x 80	1	126153*
M 30 x 90	1	126154*
M 30 x 100	1	126155*
M 30 x 110	1	126156*
M 30 x 120	1	126157*
M 30 x 130	1	126158*
M 30 x 140	1	126159*
M 30 x 150	1	126161*
M 30 x 160	1	126162*
M 30 x 170	1	126163*
M 30 x 180	1	126164*
M 30 x 190	1	126165*
M 30 x 200	1	126166*
M 30 x 210	1	126167*
M 30 x 220	1	126168*
M 30 x 230	1	126169*
M 30 x 240	1	126170*
M 30 x 250	1	126171*
M 30 x 260	1	126172*
M 30 x 270	1	126173*
M 30 x 280	1	126174*
M 30 x 300	1	126175*

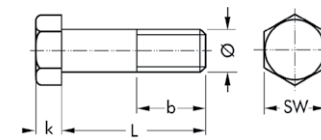
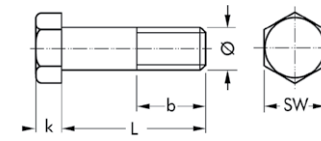
* = The delivery time is 10 days
AGR: 00.107

DIN 931, hexagon head, steel 10.9, plain

- Black Chromated: 10.9 Quality.
- Hexagon, with metric coarse thread.

Hints

- Ø M10 and M12 are supplied according to DIN 931
- DIN-ISO Difference in width across flats:
M10: DIN=17
M12: DIN=19
- ISO=16
M12: DIN=19
- ISO=18



Thread	M 6	M 8	M 10	M 12	M 14
Thread Pitch mm	1 mm	1.25 mm	1.5 mm	1.75 mm	2 mm
Height Of Head (k)	4 mm	5.3 mm	6.4 mm	7.5 mm	8.8 mm
Wrench Width	10 mm	13 mm	17 mm	19 mm	22 mm
Thread	M 16	M 18	M 20	M 24	
Thread Pitch mm	2 mm	2.5 mm	2.5 mm	3 mm	
Height Of Head (k)	10 mm	11.5 mm	12.5 mm	15 mm	
Wrench Width	24 mm	27 mm	30 mm	36 mm	

DIN 931, hexagon head, steel 10.9, plain		
Dimensions	PU Piece	Article No.

M 6 x 30	100	815404
M 6 x 40	100	815406
M 6 x 50	100	026252
M 6 x 60	100	052622
M 6 x 80	100	052623
M 8 x 40	100	098434
M 8 x 45	100	098442
M 8 x 50	100	098450
M 8 x 60	100	098477
M 8 x 70	50	098493
M 8 x 80	50	406848
M 8 x 90	50	161645

DIN 931, hexagon head, steel 10.9, plain		
Dimensions	PU Piece	Article No.

M 8 x 100	50	161647
M 10 x 40	100	098515
M 10 x 45	100	098523
M 10 x 50	100	098531
M 10 x 55	100	529583*
M 10 x 60	100	098558
M 10 x 70	50	098574
M 10 x 80	50	098590
M 10 x 90	25	098604
M 10 x 100	25	098612
M 10 x 120	25	142365
M 12 x 40	100	046636

DIN 931, hexagon head, steel 10.9, plain		
Dimensions	PU Piece	Article No.

M 12 x 45	50	815486
M 12 x 50	50	098647
M 12 x 60	50	098663
M 12 x 70	50	098680
M 12 x 80	50	098701
M 12 x 90	25	098710
M 12 x 100	25	098728
M 12 x 110	25	142366
M 12 x 120	25	098744
M 14 x 50	25	098760
M 14 x 60	25	098787
M 14 x 70	25	098795

INTERNAL/Approved (2019-03-22 12:26:04)

Metric and inch screws

1

DIN 931, hexagon head, steel 10.9, plain		
Dimensions	PU Piece	Article No.
M 14 x 80	25	098809
M 14 x 90	25	098817
M 14 x 100	10	098825
M 14 x 120	10	010255
M 16 x 50	25	046639
M 16 x 55	25	098841
M 16 x 60	25	098850
M 16 x 70	25	098876
M 16 x 80	25	098892
M 16 x 90	10	406856
M 16 x 100	10	098914

DIN 931, hexagon head, steel 10.9, plain		
Dimensions	PU Piece	Article No.
M 16 x 110	10	098922
M 16 x 120	10	098930
M 16 x 140	10	406872
M 16 x 160	10	026258
M 18 x 80	10	010264
M 18 x 100	10	010266
M 20 x 70	10	406880
M 20 x 80	10	406899
M 20 x 90	10	406902
M 20 x 100	10	406910
M 20 x 110	10	026262

DIN 931, hexagon head, steel 10.9, plain		
Dimensions	PU Piece	Article No.
M 20 x 120	10	406929
M 20 x 140	10	010277
M 20 x 160	5	413208
M 20 x 180	5	161651
M 24 x 80	5	026273
M 24 x 90	5	026274
M 24 x 100	5	026275
M 24 x 140	5	026277

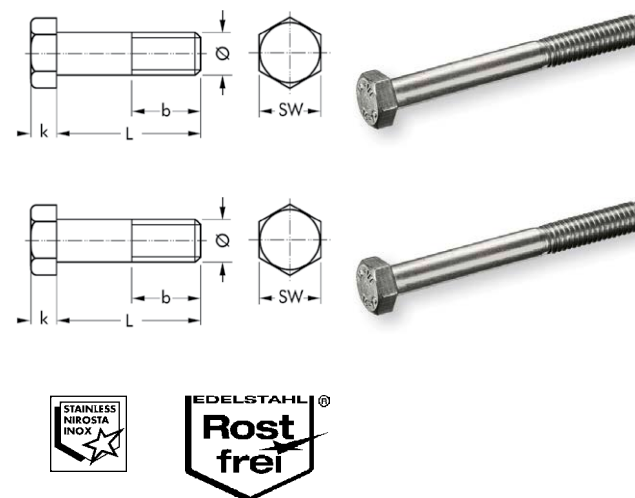
* = The delivery time is 30 days
AGR: 00.104

DIN 931, hexagon head, stainless steel A2

- Stainless steel version: Stainless Steel A2 hexagon with metric coarse thread

Hints

- Ø M10, M12 and M14 are supplied according to DIN 931
- DIN-ISO Difference in width across flats:
 - M10: DIN=17
 - ISO=16
 - M12: DIN=19
 - ISO=18
 - M14: DIN=22
 - ISO=21



Metric and inch screws

Thread	M 5	M 6	M 8	M 10	M 12
Thread Pitch mm	0.8 mm	1 mm	1.25 mm	1.5 mm	1.75 mm
Height Of Head (k)	3.5 mm	4 mm	5.3 mm	6.4 mm	7.5 mm
Wrench Width	8 mm	10 mm	13 mm	17 mm	19 mm
Thread	M 14	M 16	M 20	M 24	M 27
Thread Pitch mm	2 mm	2 mm	2.5 mm	3 mm	3 mm
Height Of Head (k)	8.8 mm	10 mm	12.5 mm	15 mm	17 mm
Wrench Width	22 mm	24 mm	30 mm	36 mm	41 mm
Thread	M 30	M 36			
Thread Pitch mm	3.5 mm	4 mm			
Height Of Head (k)	18.7 mm	22.5 mm			
Wrench Width	46 mm	55 mm			

DIN 931, hexagon head, stainless steel A2		
Dimensions	PU Piece	Article No.
M 5 x 30	200	855600
M 5 x 35	200	513210*
M 5 x 40	200	855601*
M 5 x 45	200	005253*
M 5 x 50	100	005254
M 5 x 55	200	095340*
M 5 x 60	200	005255*
M 5 x 65	200	095341*
M 5 x 70	100	913103*
M 5 x 80	100	913104*
M 6 x 30	200	855610*
M 6 x 35	200	749338
M 6 x 40	200	855611
M 6 x 45	100	913106
M 6 x 50	100	913107
M 6 x 55	100	116077
M 6 x 60	100	913108

DIN 931, hexagon head, stainless steel A2		
Dimensions	PU Piece	Article No.
M 6 x 65	100	116078
M 6 x 70	100	913109
M 6 x 80	50	913110
M 6 x 90	100	913111
M 6 x 100	100	031589
M 6 x 110	100	095342*
M 6 x 120	100	095343*
M 6 x 130	100	095344*
M 6 x 140	100	095345*
M 6 x 150	100	095347*
M 6 x 160	100	095348*
M 6 x 180	100	095349*
M 8 x 35	100	513326*
M 8 x 40	100	102975
M 8 x 45	100	513342
M 8 x 50	100	513350
M 8 x 55	100	116080

DIN 931, hexagon head, stainless steel A2		
Dimensions	PU Piece	Article No.
M 8 x 60	100	913114
M 8 x 65	100	116081*
M 8 x 70	50	913115
M 8 x 75	50	095350
M 8 x 80	50	913116
M 8 x 90	50	102976
M 8 x 100	50	913118
M 8 x 110	50	026473*
M 8 x 120	100	026474
M 8 x 130	50	026475*
M 8 x 140	50	095351
M 8 x 150	50	095352*
M 8 x 160	25	095353*
M 8 x 180	25	095355*
M 8 x 200	25	095356*
M 8 x 220	25	095357*
M 10 x 40	25	855625

INTERNAL/Approved (2019-03-22 12:27:57)

Metric and inch screws

1

DIN 931, hexagon head, stainless steel A2		
Dimensions	PU Piece	Article No.
M 10 x 45	100	513423*
M 10 x 50	50	913119
M 10 x 55	50	116085*
M 10 x 60	50	913120
M 10 x 65	50	116086*
M 10 x 70	50	913121
M 10 x 75	50	095358*
M 10 x 80	50	913122
M 10 x 90	50	913123
M 10 x 100	50	913124
M 10 x 110	50	513490*
M 10 x 120	25	031593
M 10 x 130	50	031594*
M 10 x 140	25	031595
M 10 x 150	50	064006*
M 10 x 160	25	095359*
M 10 x 180	25	095360*
M 10 x 200	25	095361*
M 10 x 220	10	095363*
M 12 x 40	50	149442*
M 12 x 45	50	513512*
M 12 x 50	50	513520
M 12 x 55	50	116088*
M 12 x 60	50	513539
M 12 x 65	50	116089*
M 12 x 70	50	513547
M 12 x 75	25	095364*
M 12 x 80	50	028331
M 12 x 90	25	031597
M 12 x 100	25	031598
M 12 x 110	25	513580*

DIN 931, hexagon head, stainless steel A2		
Dimensions	PU Piece	Article No.
M 12 x 120	25	031599
M 12 x 130	25	031600
M 12 x 140	50	031601
M 12 x 150	25	031602
M 12 x 160	10	095365*
M 12 x 170	10	095366*
M 12 x 180	10	095367*
M 12 x 190	10	095368*
M 12 x 200	10	095369*
M 12 x 210	10	095370*
M 12 x 220	10	095371*
M 12 x 240	10	095372*
M 14 x 55	50	095373*
M 14 x 60	50	100400*
M 14 x 65	50	095374*
M 14 x 70	50	095375*
M 14 x 80	50	100488*
M 14 x 90	50	031604*
M 14 x 100	50	031605*
M 14 x 110	25	095376*
M 14 x 120	25	031606*
M 14 x 130	25	095377*
M 14 x 140	25	095378*
M 14 x 150	25	095379*
M 14 x 160	10	095380*
M 16 x 50	25	100599
M 16 x 55	25	116094
M 16 x 60	25	513601
M 16 x 65	25	116095
M 16 x 70	25	513610
M 16 x 75	25	034270*

DIN 931, hexagon head, stainless steel A2		
Dimensions	PU Piece	Article No.
M 16 x 80	25	513628
M 16 x 90	10	513636
M 16 x 100	10	031612
M 16 x 110	25	513652*
M 16 x 120	10	031613
M 16 x 130	25	116097*
M 16 x 140	25	031615
M 16 x 150	25	031616*
M 16 x 160	10	064009*
M 16 x 170	10	095381*
M 16 x 180	10	095382*
M 16 x 190	10	095383*
M 16 x 200	10	095384*
M 16 x 210	10	095385*
M 16 x 220	10	095386*
M 16 x 230	10	095387*
M 16 x 240	10	095388*
M 16 x 250	10	095389*
M 20 x 65	25	543918
M 20 x 75	25	116099*
M 20 x 90	25	562009*
M 20 x 100	10	031624
M 20 x 110	25	513725*
M 20 x 120	25	031625*
M 20 x 130	25	031626*
M 20 x 140	25	031627*
M 20 x 150	25	064010*
M 20 x 160	10	064011*
M 20 x 170	10	095390*
M 20 x 180	10	064012*
M 20 x 190	10	095391*

INTERNAL/Approved (2019-03-22 12:28:00)

DIN 931, hexagon head, stainless steel A2		
Dimensions	PU Piece	Article No.
M 20 x 200	10	064013*
M 20 x 220	10	095392*
M 20 x 230	10	095393*
M 20 x 240	10	095394*
M 20 x 260	10	095395*
M 20 x 280	10	095396*
M 20 x 300	5	095397*
M 24 x 80	10	011948*
M 24 x 90	10	011949*
M 24 x 95	10	095398*
M 24 x 100	10	011953*
M 24 x 110	10	095399*
M 24 x 120	10	011954*
M 24 x 130	10	095400*
M 24 x 140	10	012018*
M 24 x 150	10	064014*
M 24 x 160	10	012020*
M 24 x 180	10	095401*
M 24 x 190	10	095402*
M 24 x 200	10	095403*
M 24 x 220	5	095404*
M 24 x 240	5	095405*

DIN 931, hexagon head, stainless steel A2		
Dimensions	PU Piece	Article No.
M 24 x 260	5	095406*
M 24 x 280	5	095407*
M 24 x 300	5	095408*
M 24 x 360	5	095409*
M 27 x 80	10	095410*
M 27 x 90	10	095411*
M 27 x 100	10	095412*
M 27 x 110	10	095413*
M 27 x 120	10	095414*
M 27 x 130	10	095415*
M 27 x 140	10	095416*
M 27 x 150	10	095417*
M 27 x 160	5	095418*
M 27 x 170	5	095419*
M 27 x 180	5	095420*
M 27 x 200	5	095421*
M 27 x 220	5	095422*
M 27 x 240	5	095423*
M 30 x 80	10	095424*
M 30 x 90	10	095425*
M 30 x 100	10	095426*
M 30 x 110	10	095427*

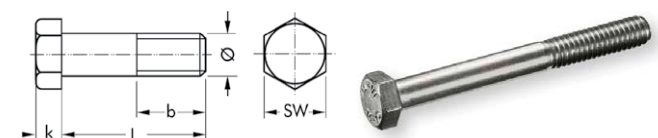
DIN 931, hexagon head, stainless steel A2		
Dimensions	PU Piece	Article No.
M 30 x 120	10	095428*
M 30 x 130	10	095429*
M 30 x 140	10	095430*
M 30 x 150	10	095431*
M 30 x 160	5	095432*
M 30 x 180	5	095433*
M 30 x 200	5	095434*
M 30 x 220	5	095435*
M 36 x 100	10	095436*
M 36 x 110	10	095437*
M 36 x 120	10	095438*
M 36 x 130	5	095439*
M 36 x 140	5	095440*
M 36 x 160	5	095441*
M 36 x 180	5	095442*
M 36 x 200	5	095443*
x	25	034271
x	25	513687
x	25	513695

* = The delivery time is 14 days
 AGR: 00.108

DIN 931, hexagon head, stainless steel A4

Hints

- Ø M10, M12 and M14 are supplied according to DIN 931
- DIN-ISO Difference in width across flats:
 M10: DIN=17
 ISO=16
- M12: DIN=19
 ISO=18
- M14: DIN=22



INTERNAL/Approved (2019-03-22 12:28:44)

Metric and inch screws

- ISO=21

Thread	M 5	M 6	M 8	M 10	M 12
Thread Pitch mm	0.8 mm	1 mm	1.25 mm	1.5 mm	1.75 mm
Height Of Head (k)	3.5 mm	4 mm	5.3 mm	6.4 mm	7.5 mm
Wrench Width	8 mm	10 mm	13 mm	17 mm	19 mm
Thread	M 14	M 16	M 20	M 24	M 27
Thread Pitch mm	2 mm	2 mm	2.5 mm	3 mm	3 mm
Height Of Head (k)	8.8 mm	10 mm	12.5 mm	15 mm	17 mm
Wrench Width	22 mm	24 mm	30 mm	36 mm	41 mm
Thread	M 30	M 36			
Thread Pitch mm	3.5 mm	4 mm			
Height Of Head (k)	18.7 mm	22.5 mm			
Wrench Width	46 mm	55 mm			

DIN 931, hexagon head, stainless steel A4		
Dimensions	PU Piece	Article No.
M 5 x 30	200	063681*
M 5 x 35	200	063682*
M 5 x 40	200	176009*
M 5 x 45	200	095444*
M 5 x 50	200	176011*
M 5 x 55	200	095445*
M 5 x 60	200	176012*
M 5 x 65	200	095446*
M 5 x 70	100	095447*
M 5 x 80	100	095448*
M 6 x 30	200	000303*
M 6 x 35	200	095449*
M 6 x 40	200	176013*
M 6 x 45	100	063683*
M 6 x 50	100	109466*
M 6 x 55	100	063684*

DIN 931, hexagon head, stainless steel A4		
Dimensions	PU Piece	Article No.
M 6 x 60	100	109467*
M 6 x 65	100	063685*
M 6 x 70	100	063686*
M 6 x 80	100	176014*
M 6 x 90	100	095450*
M 6 x 100	100	063687*
M 6 x 110	100	095452*
M 6 x 120	100	095453*
M 6 x 140	100	095454*
M 6 x 150	100	095455*
M 6 x 160	100	095456*
M 6 x 180	100	095457*
M 8 x 35	100	063688*
M 8 x 40	100	176015*
M 8 x 45	100	063689*
M 8 x 50	100	109468*

DIN 931, hexagon head, stainless steel A4		
Dimensions	PU Piece	Article No.
M 8 x 55	100	063690*
M 8 x 60	100	109469*
M 8 x 65	100	063691*
M 8 x 70	50	063692*
M 8 x 80	50	109470*
M 8 x 110	50	063695*
M 8 x 120	50	063696*
M 8 x 130	50	063697*
M 8 x 140	50	063698*
M 8 x 150	50	063699*
M 8 x 160	25	095458*
M 8 x 180	25	095459*
M 8 x 200	25	095460*
M 10 x 40	100	000306*
M 10 x 45	100	063700*
M 10 x 50	50	176016*

INTERNAL/Approved (2019-03-22 12:29:47)

Metric and inch screws

1

DIN 931, hexagon head, stainless steel A4		
Dimensions	PU Piece	Article No.
M 10 x 55	50	063701*
M 10 x 60	50	109471*
M 10 x 65	50	063702*
M 10 x 70	50	063703*
M 10 x 80	50	176017*
M 10 x 90	50	063705*
M 10 x 100	50	063706*
M 10 x 110	50	063707*
M 10 x 120	50	063708*
M 10 x 130	50	063709*
M 10 x 140	50	063710*
M 10 x 150	50	063711*
M 10 x 160	25	063712*
M 10 x 180	25	063713*
M 10 x 200	25	063714*
M 10 x 220	10	095461*
M 12 x 45	50	063715*
M 12 x 50	50	109472*
M 12 x 55	50	063716*
M 12 x 60	50	176018*
M 12 x 65	50	063717*
M 12 x 70	50	109473*
M 12 x 80	25	176019*
M 12 x 90	25	063719*
M 12 x 100	25	063720*
M 12 x 110	25	063721*
M 12 x 120	25	063722*
M 12 x 130	25	063723*
M 12 x 140	25	063724*
M 12 x 150	25	063725*
M 12 x 160	10	095462*

DIN 931, hexagon head, stainless steel A4		
Dimensions	PU Piece	Article No.
M 12 x 180	10	095463*
M 12 x 200	10	095464*
M 12 x 220	10	095465*
M 14 x 50	50	016123*
M 14 x 60	50	016199*
M 14 x 65	50	095466*
M 14 x 70	50	095467*
M 14 x 80	50	095468*
M 14 x 90	50	095469*
M 14 x 100	50	095470*
M 14 x 110	25	095471*
M 14 x 120	25	095472*
M 14 x 130	25	095473*
M 14 x 140	25	095474*
M 14 x 150	25	095475*
M 16 x 50	25	016228*
M 16 x 55	25	063726*
M 16 x 60	25	016264*
M 16 x 65	25	063727*
M 16 x 70	25	063728
M 16 x 80	25	063730
M 16 x 90	25	063731
M 16 x 100	25	063732
M 16 x 110	25	063733
M 16 x 120	25	063734*
M 16 x 130	25	063735
M 16 x 140	25	063736*
M 16 x 150	25	063737*
M 16 x 160	10	063738*
M 16 x 180	10	063739*
M 16 x 190	10	095476*

DIN 931, hexagon head, stainless steel A4		
Dimensions	PU Piece	Article No.
M 16 x 200	10	063740*
M 16 x 220	10	095477*
M 16 x 240	10	095479*
M 16 x 260	10	095480*
M 16 x 280	10	095481*
M 16 x 300	10	095482*
M 20 x 65	25	095483*
M 20 x 70	25	016267*
M 20 x 75	25	095484*
M 20 x 80	25	016274
M 20 x 85	25	095485*
M 20 x 90	25	063741
M 20 x 100	25	016294
M 20 x 110	25	095487
M 20 x 120	25	063742
M 20 x 130	25	063743*
M 20 x 140	25	063744*
M 20 x 150	25	063745*
M 20 x 160	10	063746*
M 20 x 180	10	063747*
M 20 x 200	10	063748*
M 20 x 220	10	095488*
M 20 x 230	10	095489*
M 20 x 240	10	095490*
M 20 x 260	10	095491*
M 20 x 280	10	095492*
M 20 x 300	5	095493*
M 24 x 80	10	016402*
M 24 x 90	10	063749*
M 24 x 100	10	016410*
M 24 x 110	10	095494*

INTERNAL/Approved (2019-03-22 12:30:05)

Metric and inch screws

1

DIN 931, hexagon head, stainless steel A4		
Dimensions	PU Piece	Article No.
M 24 x 120	10	063750*
M 24 x 130	10	095495*
M 24 x 140	10	063751*
M 24 x 150	10	063752*
M 24 x 160	10	063753*
M 24 x 180	10	095496*
M 24 x 200	10	095497*
M 24 x 220	5	095498*
M 24 x 240	5	095499*
M 24 x 260	5	095500*
M 24 x 280	5	095501*
M 24 x 300	5	095502*
M 27 x 80	10	095503*
M 27 x 90	10	095504*
M 27 x 100	10	095505*

DIN 931, hexagon head, stainless steel A4		
Dimensions	PU Piece	Article No.
M 27 x 110	10	095506*
M 27 x 120	10	095507*
M 27 x 130	10	095509*
M 27 x 140	10	095510*
M 27 x 150	10	095511*
M 27 x 160	5	095512*
M 27 x 180	5	095513*
M 27 x 220	5	095514*
M 27 x 240	5	095515*
M 30 x 80	10	016495*
M 30 x 90	10	095516*
M 30 x 100	10	016561*
M 30 x 110	10	095517*
M 30 x 120	10	016697*
M 30 x 130	10	095518*

DIN 931, hexagon head, stainless steel A4		
Dimensions	PU Piece	Article No.
M 30 x 140	10	095519*
M 30 x 150	10	095520*
M 30 x 160	5	095521*
M 30 x 180	5	095522*
M 30 x 200	5	095523*
M 30 x 220	5	095525*
M 36 x 100	10	016731*
M 36 x 110	10	095526*
M 36 x 120	10	016732*
M 36 x 130	5	095527*
M 36 x 150	5	095528*
M 36 x 160	5	095529*
M 36 x 180	5	095530*
M 36 x 200	5	095531*

* = The delivery time is 14 days
AGR: 00.108

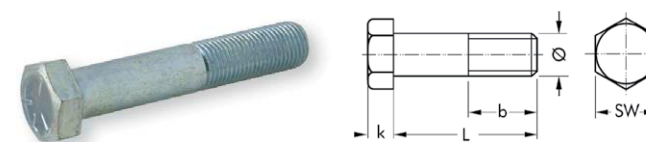
similar DIN 931, UNC thread, hexagon head, steel 8.8, zinc plated

- Electro-plated version: Quality 8.8
- Hexagon with collar, with UNC thread

Hints

- UNC = american regular thread

Thread	UNC 6.35		UNC 7.94		UNC 9.52		UNC 11.11	
Height Of Head (k)	4.14 mm		5.36 mm		6.17 mm		7.39 mm	
Wrench Width	11.11 mm		12.7 mm		14.28 mm		15.87 mm	
Length	PU Amount	Article No.	PU Amount	Article No.	PU Amount	Article No.	PU Amount	Article No.



similar DIN 931, UNC thread, hexagon head, steel 8.8, zinc plated		
Dimensions	PU Piece	Article No.
UNC 1/4" x 1 1/2 "	100	507776*
UNC 1/4" x 1 1/4 "	100	507768*
UNC 3/8" x 1 1/2 "	25	507989*
UNC 3/8" x 1 1/4 "	25	507970*

similar DIN 931, UNC thread, hexagon head, steel 8.8, zinc plated		
Dimensions	PU Piece	Article No.
UNC 3/8" x 1 3/4 "	25	507997*
UNC 3/8" x 2 "	25	508004*
UNC 5/16" x 1 1/2 "	100	507865*
UNC 5/16" x 1 1/4 "	100	633828*

similar DIN 931, UNC thread, hexagon head, steel 8.8, zinc plated		
Dimensions	PU Piece	Article No.
UNC 5/16" x 2 "	100	507881*
UNC 7/16" x 2 "	25	508080*

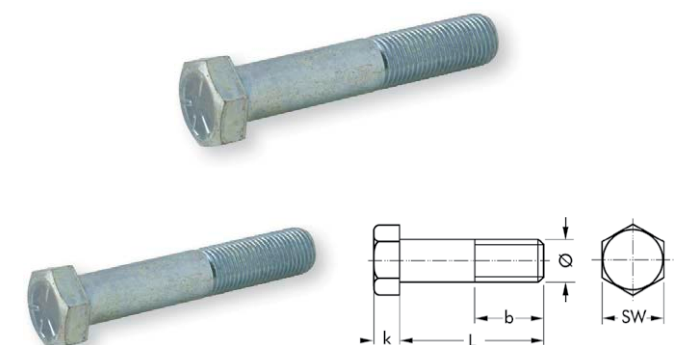
* = The delivery time is 30 days
AGR: 00.141

similar DIN 931, UNF thread, hexagon head, steel 8.8, zinc plated

- Electro-plated version: Quality 8.8
- Hexagon with collar, with UNF thread

Hints

- UNF= american fine thread



Thread	UNF 6.35	UNF 6.35	UNF 7.94	UNF 9.52
Height Of Head (k)	4.14 mm	4.14 mm	5.36 mm	6.17 mm
Wrench Width	11.11 mm	15.87 mm	12.7 mm	14.28 mm

similar DIN 931, UNF thread, hexagon head, steel 8.8, zinc plated		
Dimensions	PU Piece	Article No.
UNF 1/4" x 1 "	100	508578*
UNF 1/4" x 1 1/2 "	100	508594*
UNF 3/8" x 1 1/2 "	25	508799*

similar DIN 931, UNF thread, hexagon head, steel 8.8, zinc plated		
Dimensions	PU Piece	Article No.
UNF 3/8" x 1 1/4 "	25	508780*
UNF 5/16" x 1 1/2 "	100	508683*
UNF 5/16" x 1 1/4 "	100	508675*

similar DIN 931, UNF thread, hexagon head, steel 8.8, zinc plated		
Dimensions	PU Piece	Article No.
UNF 5/16" x 1 3/4 "	100	508691*
UNF 5/16" x 2 "	100	508705*

* = The delivery time is 30 days
AGR: 00.144

DIN 933, hexagon head, steel 8.8, zinc plated

- Electroplated version: Quality 8.8
- Hexagon fully headed screw with metric thread

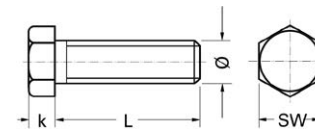
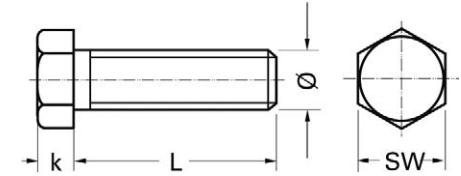
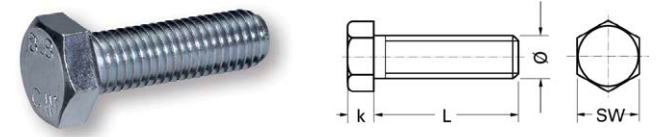


INTERNAL/Approved (2019-03-22 12:30:52)

Metric and inch screws

Hints

- Ø M10, M12, M14 and M22 are supplied according to DIN 933 ausgeliefert
- DIN-ISO Difference in width across flats:
M10: DIN=17
ISO=16
- M12: DIN=19
ISO=18
- M14: DIN=22
ISO=21
- M22: DIN=32
ISO=34



Metric and inch screws

Thread	M 3	M 4	M 5	M 6	M 7
Thread Pitch mm	0.5 mm	0.7 mm	0.8 mm	1 mm	1 mm
Height Of Head (k)	2 mm	2.8 mm	3.5 mm	4 mm	4.8 mm
Wrench Width	5.5 mm	7 mm	8 mm	10 mm	11 mm
Thread	M 8	M 10	M 12	M 14	M 16
Thread Pitch mm	1.25 mm	1.5 mm	1.75 mm	2 mm	2 mm
Height Of Head (k)	5.3 mm	6.4 mm	7.5 mm	8.8 mm	10 mm
Wrench Width	13 mm	17 mm	19 mm	22 mm	24 mm
Thread	M 18	M 20	M 22	M 24	M 27
Thread Pitch mm	2.5 mm	2.5 mm	2.5 mm	3 mm	3 mm
Height Of Head (k)	11.5 mm	12.5 mm	14 mm	15 mm	17 mm
Wrench Width	27 mm	30 mm	32 mm	36 mm	41 mm
Thread	M 30	M 33	M 36	M 39	M 42
Thread Pitch mm	3.5 mm	3.5 mm	4 mm	4 mm	4.5 mm
Height Of Head (k)	18.7 mm	21 mm	22.5 mm	25 mm	26 mm
Wrench Width	46 mm	50 mm	55 mm	60 mm	65 mm
Thread	M 48				
Thread Pitch mm	5 mm				
Height Of Head (k)	30 mm				
Wrench Width	75 mm				

DIN 933, hexagon head, steel 8.8, zinc plated		
Dimensions	PU Piece	Article No.
M 3 x 6	500	126177*
M 3 x 8	500	126178*
M 3 x 10	500	093351*
M 3 x 12	500	120789*
M 3 x 16	500	093440*
M 3 x 20	500	930510*
M 3 x 25	500	930511*
M 3 x 30	500	046691*

DIN 933, hexagon head, steel 8.8, zinc plated		
Dimensions	PU Piece	Article No.
M 3 x 35	500	126180*
M 4 x 6	500	049868*
M 4 x 8	200	097080
M 4 x 10	200	097098
M 4 x 12	200	097101
M 4 x 16	200	097195
M 4 x 20	200	097209
M 4 x 25	200	097110

DIN 933, hexagon head, steel 8.8, zinc plated		
Dimensions	PU Piece	Article No.
M 4 x 30	200	097128
M 4 x 35	200	531090
M 4 x 40	200	093475
M 4 x 45	500	049869*
M 4 x 50	200	093556
M 4 x 60	100	915123
M 5 x 6	500	049870*
M 5 x 8	100	097284

INTERNAL/Approved (2019-03-22 12:33:00)

Metric and inch screws

1

DIN 933, hexagon head, steel 8.8, zinc plated		
Dimensions	PU Piece	Article No.
M 5 x 10	100	097292
M 5 x 12	100	097306
M 5 x 16	100	097322
M 5 x 18	200	049871*
M 5 x 20	100	097250
M 5 x 25	100	097268
M 5 x 30	100	097276
M 5 x 35	100	097144
M 5 x 40	100	097152
M 5 x 45	100	097160
M 5 x 50	100	097179
M 5 x 55	200	049872*
M 5 x 60	100	404144
M 5 x 70	100	049878
M 5 x 75	200	126188*
M 5 x 80	200	126189
M 5 x 100	200	126191*
M 6 x 8	100	097438
M 6 x 10	100	097462
M 6 x 12	100	097454
M 6 x 14	200	163538*
M 6 x 16	100	097470
M 6 x 18	200	097446*
M 6 x 20	100	097330
M 6 x 22	100	531073*
M 6 x 25	100	097349
M 6 x 30	100	097357
M 6 x 35	100	097365
M 6 x 40	100	097373
M 6 x 45	100	097381
M 6 x 50	100	097390

DIN 933, hexagon head, steel 8.8, zinc plated		
Dimensions	PU Piece	Article No.
M 6 x 55	100	513792*
M 6 x 60	100	097403
M 6 x 65	100	097411*
M 6 x 70	100	097420
M 6 x 75	200	049879*
M 6 x 80	100	513806
M 6 x 90	100	513814
M 6 x 100	100	531081
M 6 x 110	100	157237*
M 6 x 120	100	075633
M 6 x 130	100	126193*
M 6 x 140	100	126194*
M 6 x 150	100	126195*
M 7 x 12	100	404160*
M 7 x 16	100	097241*
M 7 x 20	100	097217
M 7 x 25	100	097225
M 7 x 30	100	097233
M 7 x 35	100	404101*
M 7 x 40	100	404110*
M 7 x 50	100	404136*
M 8 x 8	200	126196*
M 8 x 10	100	097578
M 8 x 12	100	097586
M 8 x 14	200	915824*
M 8 x 16	100	097560
M 8 x 18	100	097594*
M 8 x 20	100	097608
M 8 x 22	200	915825
M 8 x 25	100	097489
M 8 x 30	100	097497

DIN 933, hexagon head, steel 8.8, zinc plated		
Dimensions	PU Piece	Article No.
M 8 x 35	100	097500
M 8 x 40	100	097519
M 8 x 45	100	097527
M 8 x 50	100	097535
M 8 x 55	100	097551
M 8 x 60	100	097543
M 8 x 65	25	404179*
M 8 x 70	100	404187
M 8 x 75	100	404195*
M 8 x 80	100	404209
M 8 x 85	200	126197*
M 8 x 90	50	404217
M 8 x 95	100	126198*
M 8 x 100	50	404225
M 8 x 110	50	532088
M 8 x 120	50	404233
M 8 x 130	100	049880*
M 8 x 140	25	049881*
M 8 x 150	10	049882*
M 8 x 160	10	049884*
M 8 x 180	100	049885*
M 10 x 10	200	126202*
M 10 x 12	100	404241
M 10 x 16	100	097683
M 10 x 18	200	126203*
M 10 x 20	100	097691
M 10 x 22	200	097705*
M 10 x 25	100	097713
M 10 x 28	200	126204*
M 10 x 30	100	097632
M 10 x 35	100	097640

INTERNAL/Approved (2019-03-22 12:33:37)

Metric and inch screws

1

DIN 933, hexagon head, steel 8.8, zinc plated		
Dimensions	PU Piece	Article No.
M 10 x 40	100	097659
M 10 x 45	100	097667
M 10 x 50	100	097675
M 10 x 55	100	097721
M 10 x 60	100	409910
M 10 x 65	100	404250*
M 10 x 70	50	404268
M 10 x 75	25	404276*
M 10 x 80	50	404284
M 10 x 85	100	126205*
M 10 x 90	50	404292
M 10 x 100	50	404306
M 10 x 110	50	915838
M 10 x 120	50	404314
M 10 x 130	50	915840*
M 10 x 140	10	404322*
M 10 x 150	10	404330*
M 10 x 160	10	049886*
M 12 x 12	100	126212*
M 12 x 16	100	404349
M 12 x 18	100	126213*
M 12 x 20	100	097730
M 12 x 22	100	102980*
M 12 x 25	100	097748
M 12 x 28	100	126214*
M 12 x 30	100	097756
M 12 x 35	100	097764
M 12 x 40	100	097772
M 12 x 45	50	097780
M 12 x 50	50	097799
M 12 x 55	50	097802

DIN 933, hexagon head, steel 8.8, zinc plated		
Dimensions	PU Piece	Article No.
M 12 x 60	50	404357
M 12 x 65	50	404365*
M 12 x 70	50	404373
M 12 x 75	50	404381*
M 12 x 80	50	404390
M 12 x 85	50	075636*
M 12 x 90	50	404403
M 12 x 95	50	126215*
M 12 x 100	50	404411
M 12 x 110	25	404420
M 12 x 120	25	404438
M 12 x 130	25	404446
M 12 x 140	50	915851*
M 12 x 150	10	404454*
M 12 x 160	25	049887*
M 12 x 170	25	126216*
M 12 x 180	10	049888*
M 12 x 190	25	126218*
M 12 x 200	25	126219*
M 14 x 20	10	404462*
M 14 x 25	50	404470
M 14 x 30	50	404489
M 14 x 35	50	404497
M 14 x 40	50	404500
M 14 x 45	50	404519
M 14 x 50	50	404527
M 14 x 55	50	404535
M 14 x 60	50	404543
M 14 x 65	50	915859*
M 14 x 70	50	404551
M 14 x 75	50	915860*

DIN 933, hexagon head, steel 8.8, zinc plated		
Dimensions	PU Piece	Article No.
M 14 x 80	25	404560
M 14 x 90	25	915861
M 14 x 100	25	404578
M 14 x 110	50	126229*
M 14 x 120	25	915863
M 16 x 16	50	126234*
M 16 x 20	50	404586*
M 16 x 25	50	180297
M 16 x 30	50	097810
M 16 x 35	50	097829
M 16 x 40	50	097837
M 16 x 45	50	404608
M 16 x 50	50	404616
M 16 x 55	50	404624
M 16 x 60	50	404632
M 16 x 65	25	404640
M 16 x 70	25	404659
M 16 x 75	50	915869*
M 16 x 80	25	404667
M 16 x 85	25	126235*
M 16 x 90	25	404675
M 16 x 95	25	126236*
M 16 x 100	25	404683
M 16 x 110	10	915872
M 16 x 120	10	404691
M 16 x 130	10	404705
M 16 x 140	10	404713*
M 16 x 150	10	404721*
M 16 x 160	10	049889*
M 16 x 180	25	049891*
M 16 x 200	10	915879*

INTERNAL/Approved (2019-03-22 12:33:38)

Metric and inch screws

1

DIN 933, hexagon head, steel 8.8, zinc plated		
Dimensions	PU Piece	Article No.
M 18 x 30	25	404730
M 18 x 35	50	404748*
M 18 x 40	25	404756
M 18 x 45	25	404764*
M 18 x 50	25	404772
M 18 x 55	25	404780*
M 18 x 60	25	404799
M 18 x 70	10	404802
M 18 x 80	10	404810
M 18 x 90	10	046697*
M 18 x 100	25	404829*
M 20 x 30	25	404837
M 20 x 35	25	404845*
M 20 x 40	25	404853
M 20 x 45	25	404861
M 20 x 50	25	404870
M 20 x 55	25	404888*
M 20 x 60	25	404896
M 20 x 70	25	404900
M 20 x 75	10	049895*
M 20 x 80	25	404918
M 20 x 90	10	404926
M 20 x 100	10	404934
M 20 x 110	10	915901*
M 20 x 120	25	915902*
M 20 x 130	25	049896*
M 20 x 140	25	915904*
M 20 x 150	25	049897*
M 20 x 160	10	049898*
M 20 x 180	1	075639*
M 22 x 50	10	915910

DIN 933, hexagon head, steel 8.8, zinc plated		
Dimensions	PU Piece	Article No.
M 22 x 60	10	532797
M 22 x 70	25	126267*
M 22 x 80	10	915915
M 22 x 90	25	126269*
M 22 x 100	10	075641*
M 24 x 25	25	126270*
M 24 x 30	25	126271*
M 24 x 40	10	404942*
M 24 x 45	25	049899*
M 24 x 50	10	404950
M 24 x 55	10	046715*
M 24 x 60	10	404969
M 24 x 65	25	046725*
M 24 x 70	10	404977
M 24 x 80	10	915925
M 24 x 90	10	915926*
M 24 x 100	10	915927*
M 24 x 120	10	049908*
M 24 x 140	1	049922*
M 24 x 150	1	049923*
M 24 x 160	1	049924*
M 27 x 60	5	049927*
M 27 x 70	5	049928*
M 27 x 80	5	049929*
M 27 x 90	10	915937*
M 27 x 100	10	049930*
M 27 x 120	1	049933*
M 30 x 50	1	075646*
M 30 x 60	5	049935*
M 30 x 70	5	915944*
M 30 x 80	5	049936*

DIN 933, hexagon head, steel 8.8, zinc plated		
Dimensions	PU Piece	Article No.
M 30 x 90	10	049937*
M 30 x 100	10	049938*
M 30 x 120	1	915948*
M 30 x 130	1	049940*
M 30 x 140	1	049941*
M 30 x 150	1	049942*
M 30 x 160	1	049943*
M 33 x 80	1	075651*
M 33 x 90	1	075652*
M 33 x 100	1	075653*
M 36 x 80	1	126324*
M 36 x 100	1	126327*
M 36 x 120	1	075654*
M 36 x 150	1	126331*
M 36 x 160	1	126332*
x	1	075640*
x	10	075642*
x	10	075643*
x	10	075644*
x	10	075645*
x	1	075649*
x	1	075650*
x	500	075632*
x	50	126230*
x	50	126231*
x	25	915896*
x	25	126250*
x	25	532762*
x	25	126265*
x	25	126272*
x	50	126207*

INTERNAL/Approved (2019-03-22 12:33:40)

Metric and inch screws

1

DIN 933, hexagon head, steel 8.8, zinc plated		
Dimensions	PU Piece	Article No.
x	50	126208*
x	50	126209*
x	50	126210*
x	50	126211*
x	100	126206*
x	25	126226*
x	25	126227*
x	25	126228*
x	25	126232*
x	25	049890*
x	25	049892*
x	25	126237*
x	1	126238*
x	1	126239*
x	1	126240*
x	1	126242*
x	1	126243*
x	1	126244*
x	1	126245*
x	1	126246*
x	25	049893*
x	25	126247*
x	10	126251*
x	1	126252*
x	25	126248*
x	1	126253*
x	1	126254*
x	1	126255*
x	1	126256*
x	1	126257*
x	25	126249*

DIN 933, hexagon head, steel 8.8, zinc plated		
Dimensions	PU Piece	Article No.
x	1	126258*
x	1	126259*
x	1	126260*
x	1	126261*
x	1	126262*
x	1	126263*
x	1	126264*
x	25	126266*
x	25	126268*
x	10	049907*
x	1	049909*
x	1	126275*
x	1	049925*
x	1	126276*
x	1	049926*
x	1	126277*
x	1	126278*
x	1	126279*
x	1	126280*
x	1	126281*
x	1	126282*
x	1	126283*
x	1	126284*
x	25	049901*
x	25	126273*
x	10	126274*
x	1	049931*
x	1	126288*
x	1	049934*
x	1	126289*
x	1	126290*

DIN 933, hexagon head, steel 8.8, zinc plated		
Dimensions	PU Piece	Article No.
x	1	126291*
x	1	126292*
x	10	126285*
x	10	126286*
x	10	126287*
x	1	049939*
x	1	126300*
x	1	049944*
x	1	126301*
x	1	049945*
x	1	126302*
x	1	126303*
x	1	126304*
x	1	126305*
x	1	126306*
x	1	126307*
x	1	126293*
x	1	126294*
x	1	126295*
x	1	126296*
x	1	126297*
x	1	126298*
x	1	126299*
x	1	126310*
x	1	126311*
x	1	126312*
x	1	126314*
x	1	126315*
x	1	126316*
x	1	126317*
x	1	126318*

INTERNAL/Approved (2019-03-22 12:33:41)

Metric and inch screws

1

DIN 933, hexagon head, steel 8.8, zinc plated		
Dimensions	PU Piece	Article No.
x	1	126319*
x	1	126320*
x	1	126308*
x	1	126328*
x	1	126329*
x	1	126330*
x	1	126333*
x	1	126334*
x	1	126335*
x	1	126336*
x	1	126338*
x	1	126341*
x	1	119669*
x	1	126321*
x	1	126322*
x	1	126323*
x	1	126325*
x	1	126326*
x	1	126344*
x	1	126345*
x	1	126346*
x	1	126347*
x	1	126348*
x	1	126349*
x	1	126350*

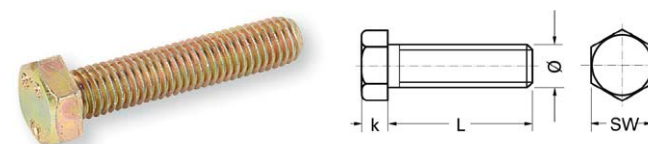
DIN 933, hexagon head, steel 8.8, zinc plated		
Dimensions	PU Piece	Article No.
x	1	126351*
x	1	126352*
x	1	126342*
x	1	126343*
x	500	046695*
x	500	126181*
x	500	126176*
x	1	126359*
x	1	126360*
x	1	126361*
x	1	126362*
x	1	126363*
x	1	126364*
x	1	126365*
x	1	126366*
x	1	126367*
x	1	126368*
x	1	126369*
x	1	126370*
x	1	126353*
x	1	126354*
x	1	126355*
x	1	126356*
x	1	126357*
x	1	126358*

DIN 933, hexagon head, steel 8.8, zinc plated		
Dimensions	PU Piece	Article No.
x	1	126375*
x	1	126376*
x	1	126377*
x	1	126378*
x	1	126379*
x	1	126380*
x	1	126381*
x	1	126371*
x	1	126372*
x	1	126373*
x	1	126374*
x	500	126182*
x	500	126183*
x	500	126184*
x	100	126185*
x	100	126186*
x	200	102977*
x	200	126190
x	100	126192*
x	200	157234*
x	100	126199*
x	100	126200*
x	100	126201

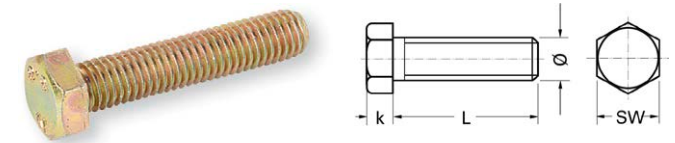
* = The delivery time is 10 days
 AGR: 00.113

DIN 933, hexagon head, steel 8.8, yellow zinc plated

Hints



- Ø M10 are supplied according to DIN 933
- DIN-ISO Difference in width across flats:
M10: DIN=17
ISO=16



Thread	M 6	M 8	M 10
Thread Pitch mm	1 mm	1.25 mm	1.5 mm
Height Of Head (k)	4 mm	5.3 mm	6.4 mm
Wrench Width	10 mm	13 mm	17 mm

DIN 933, hexagon head, steel 8.8, yellow zinc plated			DIN 933, hexagon head, steel 8.8, yellow zinc plated			DIN 933, hexagon head, steel 8.8, yellow zinc plated		
Dimensions	PU Piece	Article No.	Dimensions	PU Piece	Article No.	Dimensions	PU Piece	Article No.
M 6 x 10	100	294942*	M 8 x 16	100	294535*	M 10 x 16	100	294640*
M 6 x 12	200	294950*	M 8 x 20	100	294551*	M 10 x 20	100	294659*
M 6 x 16	100	294977*	M 8 x 25	100	294560*	M 10 x 25	100	294675*
M 6 x 20	100	294993*	M 8 x 30	100	294578*	M 10 x 30	100	294683*
M 6 x 25	200	295000*	M 8 x 35	100	294586*	M 10 x 35	100	294691*
M 6 x 30	100	295019*	M 8 x 40	100	294594*	M 10 x 40	100	294705*
M 6 x 35	100	295027*	M 8 x 45	100	294608*	M 10 x 45	100	294713*
M 6 x 40	200	295035*	M 8 x 50	100	294616*	M 10 x 50	100	294721*
M 6 x 50	200	294438*	M 8 x 55	100	294624*	M 10 x 60	50	409901*
M 6 x 60	100	294446*	M 8 x 60	100	294632*			

* = The delivery time is 45 days
AGR: 00.112

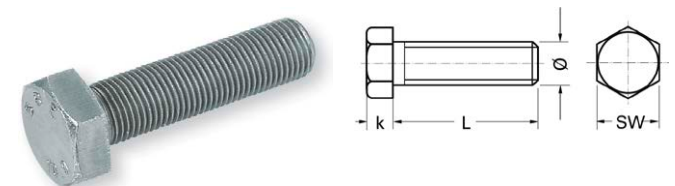
DIN 933, hexagon head, steel 8.8U, hot dip galvanized

Characteristics

- Thread tolerance 6h (6AZ tZn + = U)

Hints

- Ø M10 and M12 are supplied according to DIN 933
- DIN-ISO Difference in width across flats:
M10: DIN=17
ISO=16
- M12: DIN=19
ISO=18



Metric and inch screws

1

- Risk of fitting problems: The galvanized screws (6AZ tolerance) made with thread undersized, so the bolt thread is ISO-fits after galvanizing. The use of nut thread type undersize (tolerance 6AZ) can lead to problems bolting and / or failure of the connection - see technical information

Thread	M 6	M 8	M 10	M 12	M 16
Thread Pitch mm	1 mm	1.25 mm	1.5 mm	1.75 mm	2 mm
Height Of Head (k)	4 mm	5.3 mm	6.4 mm	7.5 mm	10 mm
Wrench Width	10 mm	13 mm	17 mm	19 mm	24 mm
Thread	M 20	M 24	M 30		
Thread Pitch mm	2.5 mm	3 mm	3.5 mm		
Height Of Head (k)	12.5 mm	15 mm	18.7 mm		
Wrench Width	30 mm	36 mm	46 mm		

DIN 933, hexagon head, steel 8.8U, hot dip galvanized		
Dimensions	PU Piece	Article No.
M 10 x 25	200	150579*
M 10 x 30	200	150580*
M 16 x 50	50	150817*
x	200	150575*
x	200	150577*
x	200	150578*
x	100	150581*
x	100	150586*
x	100	150590*
x	100	150592*
x	100	150596*
x	100	150602*
x	100	150606*
x	100	150613*
x	100	150614*
x	50	150615*
x	50	150622*

DIN 933, hexagon head, steel 8.8U, hot dip galvanized		
Dimensions	PU Piece	Article No.
x	100	150625*
x	100	150626*
x	100	150630*
x	100	150634*
x	100	150649*
x	100	150657*
x	100	150661*
x	100	150665*
x	100	150673*
x	100	150680*
x	50	150681*
x	50	150690
x	50	150696
x	50	150720*
x	25	150738
x	25	150746*
x	25	150750*

DIN 933, hexagon head, steel 8.8U, hot dip galvanized		
Dimensions	PU Piece	Article No.
x	25	150752*
x	25	150754*
x	25	150762*
x	25	150769*
x	25	150770*
x	25	150775*
x	25	150789*
x	50	150776*
x	1	149350*
x	1	149351*
x	50	150793*
x	1	149353*
x	1	149367*
x	1	149368*
x	50	150797*
x	50	150814*
x	50	150815*

INTERNAL/Approved (2019-03-22 12:34:54)

DIN 933, hexagon head, steel 8.8U, hot dip galvanized		
Dimensions	PU Piece	Article No.
x	50	150816*
x	50	150818*
x	50	150819*
x	25	150820*
x	25	150821*
x	25	150822
x	25	150823*
x	25	150824
x	25	150825*
x	25	150826*
x	1	149371*
x	1	149372*
x	1	149373*
x	1	149385*
x	1	149390*
x	25	150827*
x	25	150835*
x	25	150843*
x	25	150860*
x	25	150878*
x	25	150886*
x	25	150894*
x	25	150907*
x	25	150908*
x	25	150909*
x	25	150910*
x	25	150911*

DIN 933, hexagon head, steel 8.8U, hot dip galvanized		
Dimensions	PU Piece	Article No.
x	10	150912*
x	10	150913*
x	10	150914*
x	10	150915*
x	10	150916*
x	1	149403*
x	1	149411*
x	25	150917*
x	25	150918*
x	25	150924*
x	25	150932*
x	25	150959*
x	25	150967*
x	25	150975*
x	25	150991*
x	10	151011*
x	1	149413*
x	1	149420*
x	1	149441*
x	1	149443*
x	1	149470*
x	1	149489*
x	1	149493*
x	1	149495*
x	1	149496*
x	1	149497*
x	1	149500*

DIN 933, hexagon head, steel 8.8U, hot dip galvanized		
Dimensions	PU Piece	Article No.
x	1	149502*
x	1	149509*
x	1	149510*
x	500	151012*
x	500	151013*
x	500	151014*
x	500	151015*
x	500	151016*
x	200	151017*
x	200	151027*
x	100	151041*
x	200	151030*
x	200	151050*
x	200	151068*
x	200	151076*
x	200	151084*
x	200	151087*
x	200	151088*
x	200	151089*
x	200	151090*
x	200	151092*
x	200	151130*
x	200	151134*
x	200	151135*
x	200	151146*
x	100	151149*

* = The delivery time is 10 days
 AGR: 00.199

DIN 933, hexagon head, steel 10.9, zinc plated

Characteristics

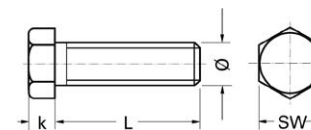
- Annealed



INTERNAL/Approved (2019-03-22 12:35:15)

Hints

- Risk of hydrogen embrittlement: In galvanic coatings on high strength parts with a tensile strength of 1000 N / mm² (eg, 10.9, 12.9) and springy Share with hardness of 320 HV, the risk of hydrogen embrittlement (brittle fracture) can not be excluded with certainty - see technical information



Thread	M 6	M 8	M 10	M 12	M 14
Thread Pitch mm	1 mm	1.25 mm	1.5 mm	1.75 mm	2 mm
Height Of Head (k)	4 mm	5.3 mm	6.4 mm	7.5 mm	8.8 mm
Wrench Width	10 mm	13 mm	17 mm	19 mm	22 mm
Thread	M 16	M 18	M 20	M 24	M 27
Thread Pitch mm	2 mm	2.5 mm	2.5 mm	3 mm	3 mm
Height Of Head (k)	10 mm	11.5 mm	12.5 mm	15 mm	17 mm
Wrench Width	24 mm	27 mm	30 mm	36 mm	41 mm
Thread	M 30	M 36			
Thread Pitch mm	3.5 mm	4 mm			
Height Of Head (k)	18.7 mm	22.5 mm			
Wrench Width	46 mm	55 mm			

DIN 933, hexagon head, steel 10.9, zinc plated			DIN 933, hexagon head, steel 10.9, zinc plated			DIN 933, hexagon head, steel 10.9, zinc plated		
Dimensions	PU Piece	Article No.	Dimensions	PU Piece	Article No.	Dimensions	PU Piece	Article No.
M 6 x 10	500	126382*	M 6 x 60	200	126394*	M 8 x 60	200	126401*
M 6 x 12	500	126383*	M 8 x 12	200	126395*	M 8 x 70	200	126402*
M 6 x 16	500	126384*	M 8 x 16	200	034119*	M 8 x 75	200	126403*
M 6 x 20	500	126385*	M 8 x 18	200	126396*	M 8 x 80	200	126404*
M 6 x 22	500	126386*	M 8 x 20	200	034120*	M 8 x 100	100	126405*
M 6 x 25	500	126387*	M 8 x 25	200	034121*	M 10 x 12	200	126406*
M 6 x 30	500	126388*	M 8 x 30	200	034122*	M 10 x 16	200	126407*
M 6 x 35	500	126389*	M 8 x 35	200	126397*	M 10 x 18	200	126408*
M 6 x 40	500	126390*	M 8 x 40	200	034123*	M 10 x 20	200	034124*
M 6 x 45	200	126391*	M 8 x 45	200	126398*	M 10 x 25	200	034125*
M 6 x 50	200	126392*	M 8 x 50	200	126399*	M 10 x 30	200	167966*
M 6 x 55	200	126393*	M 8 x 55	200	126400*	M 10 x 35	100	126409*

Metric and inch screws

1

DIN 933, hexagon head, steel 10.9, zinc plated		
Dimensions	PU Piece	Article No.
M 10 x 40	100	167967*
M 10 x 45	100	126410*
M 10 x 50	100	034127*
M 10 x 55	100	126411*
M 10 x 60	100	126412*
M 10 x 70	100	126413*
M 10 x 75	100	126414*
M 10 x 80	100	126415*
M 10 x 90	100	126416*
M 10 x 100	100	126417*
M 10 x 110	50	126418*
M 12 x 20	100	126419*
M 12 x 25	100	034128*
M 12 x 30	100	121342*
M 12 x 35	100	126420*
M 12 x 40	100	121343*
M 12 x 45	100	146656*
M 12 x 50	100	034130*
M 12 x 55	100	126421*
M 12 x 60	100	126422*
M 12 x 65	50	126423*
M 12 x 70	50	126424*
M 12 x 80	50	126425*
M 12 x 90	50	126426*
M 12 x 100	50	126427*
M 12 x 110	100	126428*
M 12 x 120	100	126429*
M 12 x 130	50	126430*
M 12 x 140	50	126431*
M 12 x 150	50	126432*
M 12 x 160	25	126433*

DIN 933, hexagon head, steel 10.9, zinc plated		
Dimensions	PU Piece	Article No.
M 12 x 180	25	126438*
M 12 x 200	25	126446*
M 14 x 30	100	034131*
M 14 x 35	100	126449*
M 14 x 40	100	121344*
M 14 x 45	50	126450*
M 14 x 50	50	121345*
M 14 x 60	50	126451*
M 14 x 65	50	126452*
M 14 x 70	50	126453*
M 16 x 20	50	126454*
M 16 x 25	50	126455*
M 16 x 30	50	126456*
M 16 x 35	50	126457*
M 16 x 40	50	167968*
M 16 x 45	50	146655*
M 16 x 50	50	167969*
M 16 x 55	50	126458*
M 16 x 60	50	034133*
M 16 x 65	25	126459*
M 16 x 70	25	126460*
M 16 x 80	25	126461*
M 16 x 90	25	126462*
M 16 x 100	25	126463*
M 16 x 110	25	126464*
M 16 x 120	25	126465*
M 16 x 140	25	126467*
M 16 x 150	25	126468*
M 16 x 160	25	126469*
M 16 x 170	25	126471*
M 16 x 180	25	126472*

DIN 933, hexagon head, steel 10.9, zinc plated		
Dimensions	PU Piece	Article No.
M 16 x 190	25	126473*
M 16 x 200	25	126474*
M 16 x 220	1	126475*
M 16 x 240	1	126476*
M 16 x 260	1	126477*
M 16 x 280	1	126478*
M 16 x 300	1	126479*
M 18 x 40	50	126480*
M 18 x 45	50	126481*
M 18 x 50	50	126482*
M 18 x 55	25	126483*
M 18 x 60	25	126486*
M 18 x 70	25	126487*
M 20 x 30	25	126488*
M 20 x 40	25	126489*
M 20 x 45	25	126490*
M 20 x 50	25	167970*
M 20 x 55	25	126491*
M 20 x 60	25	121346*
M 20 x 65	25	126492*
M 20 x 70	25	126493*
M 20 x 75	25	126494*
M 20 x 80	25	126495*
M 20 x 90	25	126496*
M 20 x 110	25	126497*
M 20 x 120	25	126498*
M 20 x 130	25	126499*
M 20 x 140	25	126500*
M 20 x 150	25	126502*
M 20 x 160	25	126503*
M 20 x 170	25	126504*

INTERNAL/Approved (2019-03-22 12:36:25)

Metric and inch screws

1

DIN 933, hexagon head, steel 10.9, zinc plated		
Dimensions	PU Piece	Article No.
M 20 x 180	25	126505*
M 20 x 190	25	126506*
M 20 x 200	25	126507*
M 20 x 210	1	126508*
M 20 x 220	1	126509*
M 20 x 240	1	126510*
M 20 x 260	1	126511*
M 24 x 30	25	126512*
M 24 x 40	25	126513*
M 24 x 45	25	126514*
M 24 x 50	25	126515*
M 24 x 55	25	126516*
M 24 x 60	25	126517*
M 24 x 65	25	126518*
M 24 x 70	25	126519*
M 24 x 75	25	126520*
M 24 x 80	25	126521*
M 24 x 90	10	126522*
M 24 x 100	10	126523*
M 24 x 110	10	126524*
M 24 x 120	10	126525*
M 24 x 130	1	126526*
M 24 x 140	1	126527*
M 24 x 150	1	126528*
M 24 x 160	1	126529*
M 24 x 170	1	126530*

DIN 933, hexagon head, steel 10.9, zinc plated		
Dimensions	PU Piece	Article No.
M 24 x 180	1	126531*
M 24 x 190	1	126532*
M 24 x 200	1	126533*
M 27 x 60	10	126534*
M 27 x 70	10	126536*
M 27 x 80	10	126537*
M 27 x 90	10	126538*
M 27 x 100	10	126539*
M 27 x 110	10	126540*
M 27 x 120	10	126541*
M 27 x 130	1	126542*
M 27 x 140	1	126543*
M 30 x 40	1	126549*
M 30 x 50	1	126550*
M 30 x 55	1	126551*
M 30 x 60	1	126552*
M 30 x 65	1	126553*
M 30 x 70	1	126554*
M 30 x 75	1	126559*
M 30 x 80	1	126560*
M 30 x 90	1	126561*
M 30 x 100	1	126562*
M 30 x 110	1	126565*
M 30 x 120	1	126566*
M 30 x 130	1	126568*
M 30 x 140	1	126569*

DIN 933, hexagon head, steel 10.9, zinc plated		
Dimensions	PU Piece	Article No.
M 30 x 150	1	126570*
M 30 x 160	1	126571*
M 30 x 170	1	126573*
M 30 x 180	1	126574*
M 30 x 190	1	126577*
M 30 x 200	1	126578*
M 36 x 40	1	126579*
M 36 x 50	1	126580*
M 36 x 60	1	126581*
M 36 x 70	1	126582*
M 36 x 80	1	126583*
M 36 x 90	1	126584*
M 36 x 100	1	126585*
M 36 x 110	1	126587*
M 36 x 120	1	126588*
M 36 x 130	1	126589*
M 36 x 140	1	126590*
M 36 x 150	1	126591*
M 36 x 160	1	126592*
M 36 x 170	1	126593*
M 36 x 180	1	126594*
M 36 x 190	1	126595*
M 36 x 200	1	126596*

* = The delivery time is 10 days
AGR: 00.117

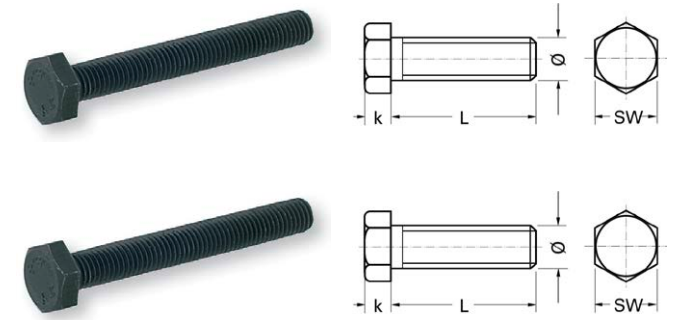
DIN 933, hexagon head, steel 10.9, plain

- Black Chromated: 10.9 quality
- Hexagon fully threaded screw with metric thread



Hints

- Ø M10 and M12 are supplied according to DIN 933
- DIN-ISO Difference in width across flats
M10: DIN=17
ISO=16
- M12: DIN=19
ISO=18



1

Thread	M 6	M 8	M 10	M 12	M 14
Thread Pitch mm	1 mm	1.25 mm	1.5 mm	1.75 mm	2 mm
Height Of Head (k)	4 mm	5.3 mm	6.4 mm	7.5 mm	8.8 mm
Wrench Width	10 mm	13 mm	17 mm	19 mm	22 mm
Thread	M 16	M 18	M 20		
Thread Pitch mm	2 mm	2.5 mm	2.5 mm		
Height Of Head (k)	10 mm	11.5 mm	12.5 mm		
Wrench Width	24 mm	27 mm	30 mm		

DIN 933, hexagon head, steel 10.9, plain		
Dimensions	PU Piece	Article No.
M 6 x 16	100	024391
M 6 x 20	100	815773
M 6 x 25	100	815775
M 6 x 40	100	046738
M 6 x 50	100	046739
M 8 x 20	100	099058
M 8 x 25	100	099074
M 8 x 30	100	099082
M 8 x 40	100	099090
M 8 x 50	100	046742
M 8 x 60	100	046743
M 8 x 70	50	046745
M 8 x 80	50	046746
M 10 x 20	100	099112
M 10 x 25	100	099139

DIN 933, hexagon head, steel 10.9, plain		
Dimensions	PU Piece	Article No.
M 10 x 30	100	099147
M 10 x 35	100	099155
M 10 x 40	100	099163
M 10 x 45	100	046747
M 10 x 50	100	046748
M 10 x 60	100	046749
M 10 x 70	50	046750
M 10 x 80	50	046751
M 12 x 25	100	099180
M 12 x 30	100	099198
M 12 x 35	100	099201
M 12 x 40	100	099210
M 12 x 45	50	923656
M 12 x 50	50	046754
M 12 x 60	50	046755

DIN 933, hexagon head, steel 10.9, plain		
Dimensions	PU Piece	Article No.
M 12 x 70	50	046769
M 12 x 80	50	046770
M 12 x 100	25	046771
M 14 x 40	50	099252
M 14 x 45	50	099260
M 14 x 50	25	046772
M 14 x 60	25	046773
M 14 x 70	25	046774
M 14 x 80	25	046737
M 14 x 100	10	046775
M 16 x 40	25	099287
M 16 x 45	25	099295
M 16 x 50	25	099309
M 16 x 60	25	406937
M 16 x 70	25	046777

INTERNAL/Approved (2019-03-22 12:37:07)

Metric and inch screws

1

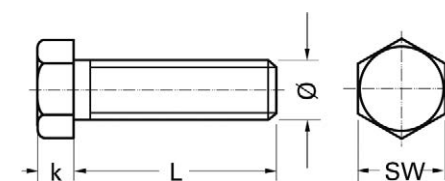
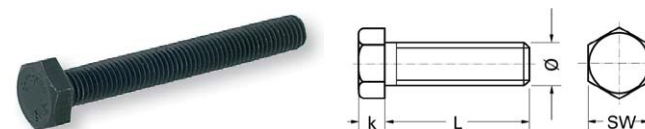
DIN 933, hexagon head, steel 10.9, plain		
Dimensions	PU Piece	Article No.
M 16 x 80	25	046778
M 16 x 100	10	046779
M 18 x 40	25	046780
M 18 x 50	25	010261

DIN 933, hexagon head, steel 10.9, plain		
Dimensions	PU Piece	Article No.
M 18 x 60	10	046781
M 20 x 40	10	406945
M 20 x 50	10	406953
M 20 x 60	10	406961

DIN 933, hexagon head, steel 10.9, plain		
Dimensions	PU Piece	Article No.
M 20 x 80	10	046783
x	10	052800
x	100	046732

AGR: 00.114

DIN 933, hexagon head, steel 12.9, plain



Title	Thread	Drive	PU Piece	Article No.
Hexagon head screw	M 8 x 40	6KT 13	200	152102
Hexagon head screw	M 10 x 50	6KT 17	100	152098

AGR: 00.114

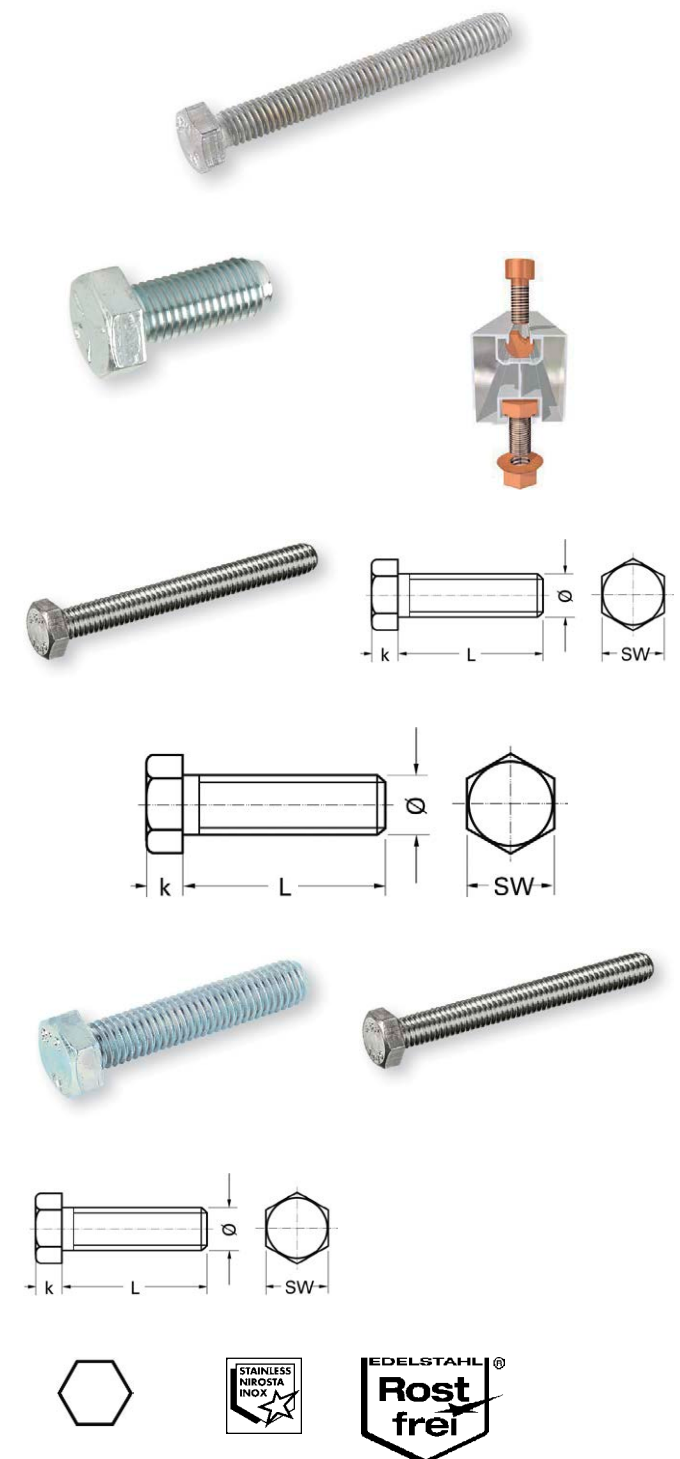
INTERNAL/Approved (2019-03-22 12:37:10)

DIN 933, hexagon head, stainless steel A2

- Stainless Steel version: A2 Stainless Steel
- Hexagon fully threaded screw with metric thread

Hints

- \varnothing M10, M12 and M14 are supplied according to DIN 933
- DIN-ISO Difference in width across flats
M10: DIN=17
- ISO=16
M12: DIN=19
- ISO=18
M14: DIN=22
- ISO=21



Metric and inch screws

1

Thread	M 3	M 4	M 5	M 6	M 8
Thread Pitch mm	0.5 mm	0.7 mm	0.8 mm	1 mm	1.25 mm
Height Of Head (k)	2 mm	2.8 mm	3.5 mm	4 mm	5.3 mm
Wrench Width	5.5 mm	7 mm	8 mm	10 mm	13 mm
Thread	M 10	M 12	M 14	M 16	M 20
Thread Pitch mm	1.5 mm	1.75 mm	2 mm	2 mm	2.5 mm
Height Of Head (k)	6.4 mm	7.5 mm	8.8 mm	10 mm	12.5 mm
Wrench Width	17 mm	19 mm	22 mm	24 mm	30 mm
Thread	M 24	M 27	M 30	M 36	
Thread Pitch mm	3 mm	3 mm	3.5 mm	4 mm	
Height Of Head (k)	15 mm	17 mm	18.7 mm	22.5 mm	
Wrench Width	36 mm	41 mm	46 mm	55 mm	

DIN 933, hexagon head, stainless steel A2		
Dimensions	PU Piece	Article No.
M 3 x 6	1000	095533*
M 3 x 8	1000	095534*
M 3 x 10	1000	095535*
M 3 x 12	1000	095536*
M 3 x 16	1000	095537*
M 3 x 20	1000	157672*
M 3 x 25	1000	095538*
M 3 x 30	1000	157674*
M 3 x 35	500	095539*
M 3 x 40	500	095541*
M 4 x 6	1000	095542*
M 4 x 8	1000	095543*
M 4 x 10	200	356581
M 4 x 12	1000	356590*
M 4 x 16	200	356603
M 4 x 18	1000	095544*
M 4 x 20	200	109193

DIN 933, hexagon head, stainless steel A2		
Dimensions	PU Piece	Article No.
M 4 x 25	200	356620
M 4 x 30	200	356638
M 4 x 35	200	101992
M 4 x 40	200	913126
M 4 x 45	200	095545*
M 4 x 50	200	101993
M 4 x 60	100	095546
M 5 x 8	500	356646*
M 5 x 10	100	109223
M 5 x 12	100	356654
M 5 x 14	500	095547*
M 5 x 16	100	109231
M 5 x 20	100	109240
M 5 x 25	100	109258
M 5 x 30	100	109266
M 5 x 35	200	356662
M 5 x 40	100	109274

DIN 933, hexagon head, stainless steel A2		
Dimensions	PU Piece	Article No.
M 5 x 45	200	356670
M 5 x 50	50	356689
M 5 x 55	200	095548*
M 5 x 60	200	913128
M 5 x 70	100	095549
M 6 x 8	500	095550*
M 6 x 10	100	109282
M 6 x 12	100	224987
M 6 x 14	200	095551*
M 6 x 16	100	109290
M 6 x 18	200	095552*
M 6 x 20	100	109304
M 6 x 22	200	095553*
M 6 x 25	100	109312
M 6 x 30	100	109320
M 6 x 35	25	356697
M 6 x 40	100	109339

INTERNAL/Approved (2019-03-22 12:42:04)

Metric and inch screws

1

DIN 933, hexagon head, stainless steel A2		
Dimensions	PU Piece	Article No.
M 6 x 45	25	224979
M 6 x 50	100	271705
M 6 x 55	100	100044*
M 6 x 60	100	356700
M 6 x 65	100	936682
M 6 x 70	100	913131
M 6 x 75	100	095554*
M 6 x 80	50	356719
M 6 x 90	100	117598
M 6 x 100	100	021515
M 6 x 120	50	095555
M 8 x 10	500	356727*
M 8 x 12	500	356735*
M 8 x 14	200	095556*
M 8 x 16	100	109355
M 8 x 18	200	095557*
M 8 x 20	100	109363
M 8 x 22	200	095558*
M 8 x 25	100	109371
M 8 x 30	100	109380
M 8 x 35	25	224960
M 8 x 40	100	109398
M 8 x 45	25	224952
M 8 x 50	100	271713
M 8 x 55	25	356743
M 8 x 60	100	224944
M 8 x 65	100	095559*
M 8 x 70	50	356751
M 8 x 75	50	936683*
M 8 x 80	50	356760
M 8 x 90	50	356778

DIN 933, hexagon head, stainless steel A2		
Dimensions	PU Piece	Article No.
M 8 x 100	50	101994
M 8 x 110	50	095560*
M 8 x 120	50	161630
M 8 x 130	50	095561*
M 8 x 140	50	161631*
M 8 x 150	50	095562*
M 8 x 160	25	161633*
M 8 x 180	25	095563*
M 10 x 12	100	095564*
M 10 x 16	25	356786
M 10 x 20	100	109401
M 10 x 25	100	109410
M 10 x 30	100	109428
M 10 x 35	25	356794
M 10 x 40	100	109436
M 10 x 45	25	356808
M 10 x 50	50	356816
M 10 x 55	50	356824
M 10 x 60	50	356832
M 10 x 65	50	356840*
M 10 x 70	50	356859
M 10 x 75	50	095565*
M 10 x 80	50	356867
M 10 x 90	50	913142
M 10 x 100	50	913143
M 10 x 110	50	765937*
M 10 x 120	50	161634
M 10 x 130	50	095566*
M 10 x 140	50	095567*
M 10 x 150	50	095568*
M 10 x 160	25	095569*

DIN 933, hexagon head, stainless steel A2		
Dimensions	PU Piece	Article No.
M 10 x 180	25	095570*
M 12 x 16	50	123086*
M 12 x 20	100	356875
M 12 x 25	50	356883
M 12 x 30	50	109444
M 12 x 35	50	356891
M 12 x 40	50	109452
M 12 x 45	25	356905
M 12 x 50	50	356913
M 12 x 55	50	356921
M 12 x 60	50	109460
M 12 x 65	25	356930
M 12 x 70	50	356948
M 12 x 75	25	095571*
M 12 x 80	50	356956
M 12 x 90	25	913149
M 12 x 100	25	101995
M 12 x 110	25	149444*
M 12 x 120	25	149445
M 12 x 130	25	095572*
M 12 x 140	25	161635*
M 12 x 150	25	095573*
M 12 x 160	10	095574*
M 12 x 180	10	095575*
M 14 x 20	50	095576*
M 14 x 25	50	500577*
M 14 x 30	50	020097
M 14 x 35	50	936232*
M 14 x 40	50	020098
M 14 x 45	50	884769*
M 14 x 50	50	561622

INTERNAL/Approved (2019-03-22 12:42:13)

Metric and inch screws

1

DIN 933, hexagon head, stainless steel A2		
Dimensions	PU Piece	Article No.
M 14 x 55	50	064003*
M 14 x 60	50	025615
M 14 x 65	50	095577*
M 14 x 70	50	020101
M 14 x 80	50	031603
M 14 x 90	50	095578*
M 14 x 100	50	095579*
M 14 x 110	25	095580*
M 14 x 120	25	095581*
M 16 x 20	25	095582*
M 16 x 25	25	356964*
M 16 x 30	25	109479
M 16 x 35	25	356972
M 16 x 40	25	109487
M 16 x 45	25	356980
M 16 x 50	25	356999
M 16 x 55	25	357006
M 16 x 60	25	109495
M 16 x 65	10	357014
M 16 x 70	25	357022
M 16 x 75	25	095583*
M 16 x 80	25	357030
M 16 x 85	25	095584*
M 16 x 90	25	101996
M 16 x 100	25	101997
M 16 x 110	25	119631*
M 16 x 120	25	038358
M 16 x 130	25	095585*
M 16 x 140	25	161636*
M 16 x 150	25	095586*
M 16 x 160	25	161637*

DIN 933, hexagon head, stainless steel A2		
Dimensions	PU Piece	Article No.
M 16 x 180	10	095587*
M 16 x 200	10	095588*
M 20 x 30	25	357049*
M 20 x 35	25	357057*
M 20 x 40	25	357065
M 20 x 45	25	357073*
M 20 x 50	25	357081*
M 20 x 55	25	357090*
M 20 x 60	25	357103
M 20 x 65	25	357111*
M 20 x 70	25	357120
M 20 x 75	25	011686*
M 20 x 80	25	357138
M 20 x 90	25	357146*
M 20 x 100	25	161638
M 20 x 110	25	095589*
M 20 x 120	25	161639*
M 20 x 130	25	095590*
M 20 x 140	25	161641*
M 20 x 150	25	095591*
M 20 x 160	25	161642*
M 20 x 180	20	161643*
M 20 x 200	20	161644*
M 24 x 40	10	034274*
M 24 x 45	10	034275*
M 24 x 50	10	034276*
M 24 x 55	10	034277*
M 24 x 60	10	034279*
M 24 x 65	10	034309*
M 24 x 70	10	034310*
M 24 x 80	10	011763*

DIN 933, hexagon head, stainless steel A2		
Dimensions	PU Piece	Article No.
M 24 x 90	10	011764*
M 24 x 100	10	011783*
M 24 x 110	10	095592*
M 24 x 120	10	011813*
M 24 x 130	10	095593*
M 24 x 140	10	011901*
M 24 x 150	10	095594*
M 24 x 160	10	011941*
M 24 x 180	5	095595*
M 24 x 200	5	095596*
M 27 x 50	10	095597*
M 27 x 60	10	095598*
M 27 x 70	10	095599*
M 27 x 80	10	095600*
M 27 x 90	10	095601*
M 27 x 100	10	095602*
M 27 x 110	10	095603*
M 27 x 120	10	095604*
M 30 x 60	10	095605*
M 30 x 65	10	095606*
M 30 x 70	10	095607*
M 30 x 80	10	095608*
M 30 x 90	10	095609*
M 30 x 100	10	095610*
M 30 x 110	10	095611*
M 30 x 120	10	095612*
M 36 x 80	5	095613*
M 36 x 100	5	095614*
M 36 x 110	5	095615*
M 36 x 120	5	095616*
M 36 x 130	5	095617*

* = The delivery time is 14 days

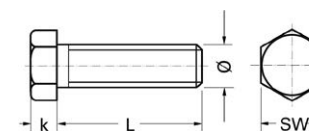
INTERNAL/Approved (2019-03-22 12:42:55)

AGR: 00.118

DIN 933, hexagon head, stainless steel A4

Hints

- Ø M10, M12 and M14 are supplied according to DIN 933
- DIN-ISO Difference in width across flats
M10: DIN=17
ISO=16
- M12: DIN=19
ISO=18
- M14: DIN=22
ISO=21



Thread	M 3	M 4	M 5	M 6	M 8
Thread Pitch mm	0.5 mm	0.7 mm	0.8 mm	1 mm	1.25 mm
Height Of Head (k)	2 mm	2.8 mm	3.5 mm	4 mm	5.3 mm
Wrench Width	5.5 mm	7 mm	8 mm	10 mm	13 mm
Thread	M 10	M 12	M 14	M 16	M 20
Thread Pitch mm	1.5 mm	1.75 mm	2 mm	2 mm	2.5 mm
Height Of Head (k)	6.4 mm	7.5 mm	8.8 mm	10 mm	12.5 mm
Wrench Width	17 mm	19 mm	22 mm	24 mm	30 mm
Thread	M 24	M 27	M 30	M 36	
Thread Pitch mm	3 mm	3 mm	3.5 mm	4 mm	
Height Of Head (k)	15 mm	17 mm	18.7 mm	22.5 mm	
Wrench Width	36 mm	41 mm	46 mm	55 mm	

DIN 933, hexagon head, stainless steel A4		
Dimensions	PU Piece	Article No.
M 3 x 5	1000	095618*
M 3 x 6	1000	095619*
M 3 x 8	1000	095620*
M 3 x 10	1000	095621*
M 3 x 12	1000	095622*

DIN 933, hexagon head, stainless steel A4		
Dimensions	PU Piece	Article No.
M 3 x 16	1000	095623*
M 3 x 20	1000	095624*
M 3 x 25	1000	095625*
M 3 x 30	1000	095626*
M 3 x 40	500	095627*

DIN 933, hexagon head, stainless steel A4		
Dimensions	PU Piece	Article No.
M 4 x 6	1000	095628*
M 4 x 8	1000	095629*
M 4 x 10	1000	157679*
M 4 x 12	1000	063644*
M 4 x 16	1000	026044*

INTERNAL/Approved (2019-03-22 12:42:59)

Metric and inch screws

1

DIN 933, hexagon head, stainless steel A4		
Dimensions	PU Piece	Article No.
M 4 x 18	1000	095630*
M 4 x 20	500	026045*
M 4 x 25	500	026046*
M 4 x 30	500	026047*
M 4 x 35	200	063649*
M 4 x 40	200	157680*
M 4 x 50	200	095631*
M 5 x 8	500	095632*
M 5 x 10	500	157681*
M 5 x 12	500	063646*
M 5 x 16	500	026037*
M 5 x 20	500	026038*
M 5 x 25	200	026039*
M 5 x 30	200	026040*
M 5 x 35	200	095633*
M 5 x 40	200	026041*
M 5 x 45	200	095634*
M 5 x 50	200	026042*
M 5 x 55	200	095635*
M 5 x 60	200	095636*
M 5 x 70	100	095637*
M 5 x 80	100	095638*
M 6 x 8	500	095639*
M 6 x 10	500	063650*
M 6 x 12	500	063651*
M 6 x 16	200	026043
M 6 x 18	200	095640*
M 6 x 20	200	026048
M 6 x 22	200	095641*
M 6 x 25	200	026049
M 6 x 30	200	025681

DIN 933, hexagon head, stainless steel A4		
Dimensions	PU Piece	Article No.
M 6 x 35	200	063652*
M 6 x 40	200	562190
M 6 x 45	100	095642*
M 6 x 50	100	025683
M 6 x 55	100	095643*
M 6 x 60	100	025684
M 6 x 65	100	095644*
M 6 x 70	100	157682*
M 6 x 80	100	095645*
M 6 x 90	100	095646*
M 6 x 100	100	095647*
M 8 x 10	500	095649*
M 8 x 12	500	063653*
M 8 x 16	200	025685*
M 8 x 18	200	095650*
M 8 x 20	200	025686
M 8 x 25	100	562246
M 8 x 30	100	025688
M 8 x 35	100	109474*
M 8 x 40	100	025689
M 8 x 45	100	063654*
M 8 x 50	25	025690
M 8 x 55	100	063655*
M 8 x 60	100	025691
M 8 x 70	50	157683
M 8 x 80	50	157684*
M 8 x 90	50	095651*
M 8 x 100	50	095652*
M 8 x 110	50	095653*
M 8 x 120	50	095654*
M 8 x 130	50	095655*

DIN 933, hexagon head, stainless steel A4		
Dimensions	PU Piece	Article No.
M 8 x 140	50	095656*
M 8 x 150	50	095657*
M 8 x 160	25	095658*
M 8 x 180	25	095659*
M 10 x 12	100	095660*
M 10 x 16	100	063657*
M 10 x 20	100	025693*
M 10 x 25	100	562319
M 10 x 30	25	025695
M 10 x 35	100	063658*
M 10 x 40	100	562335
M 10 x 45	100	108121*
M 10 x 50	50	025697
M 10 x 55	50	095661*
M 10 x 60	50	025698
M 10 x 65	50	095662*
M 10 x 70	50	025699
M 10 x 80	50	157685
M 10 x 90	50	157687*
M 10 x 100	50	157688*
M 10 x 110	50	095663*
M 10 x 120	50	095665*
M 10 x 130	50	095666*
M 10 x 140	50	095667*
M 10 x 150	50	095668*
M 10 x 160	25	095669*
M 10 x 180	25	095670*
M 12 x 16	50	095671*
M 12 x 20	50	063659*
M 12 x 25	50	025700*
M 12 x 30	50	562386*

INTERNAL/Approved (2019-03-22 12:44:21)

Metric and inch screws

1

DIN 933, hexagon head, stainless steel A4		
Dimensions	PU Piece	Article No.
M 12 x 35	50	063660*
M 12 x 40	50	025702*
M 12 x 45	50	063661*
M 12 x 50	50	025703*
M 12 x 55	50	095672*
M 12 x 60	50	025704*
M 12 x 65	50	095673*
M 12 x 70	50	025705*
M 12 x 80	25	095674*
M 12 x 90	25	095675*
M 12 x 100	25	095676*
M 12 x 110	25	095677*
M 12 x 120	25	095678*
M 12 x 130	25	095679*
M 12 x 140	25	095681*
M 12 x 150	25	095682*
M 12 x 160	10	095683*
M 12 x 180	10	095684*
M 14 x 30	50	095685*
M 14 x 40	50	157689*
M 14 x 45	50	095686*
M 14 x 50	50	157690*
M 14 x 55	50	095687*
M 14 x 60	50	145891*
M 14 x 65	50	095688*
M 14 x 70	50	157691*
M 14 x 80	50	157692*
M 14 x 90	50	095689*
M 14 x 110	25	095690*
M 14 x 120	25	095691*
M 16 x 20	25	095692*

DIN 933, hexagon head, stainless steel A4		
Dimensions	PU Piece	Article No.
M 16 x 25	25	063662*
M 16 x 30	25	063663*
M 16 x 35	25	063664*
M 16 x 40	25	157693*
M 16 x 45	25	063666*
M 16 x 50	25	157695*
M 16 x 55	25	095693*
M 16 x 60	25	157696*
M 16 x 65	25	095694*
M 16 x 70	25	157697*
M 16 x 75	25	095695*
M 16 x 80	25	095696*
M 16 x 90	25	095697*
M 16 x 100	25	095698*
M 16 x 110	25	095700*
M 16 x 120	25	095701*
M 16 x 130	25	095703*
M 16 x 140	25	095704*
M 16 x 150	25	095705*
M 16 x 160	25	095706*
M 16 x 200	10	095707*
M 20 x 30	25	095708*
M 20 x 35	25	063668*
M 20 x 40	25	063669*
M 20 x 45	25	063670*
M 20 x 50	25	063671
M 20 x 55	25	095709*
M 20 x 60	25	063672*
M 20 x 70	25	016830*
M 20 x 80	25	016834*
M 20 x 90	25	095710*

DIN 933, hexagon head, stainless steel A4		
Dimensions	PU Piece	Article No.
M 20 x 110	25	095711*
M 20 x 120	25	095712*
M 20 x 130	25	095713*
M 20 x 140	25	095714*
M 20 x 150	25	095715*
M 20 x 160	25	095716*
M 20 x 180	20	095717*
M 20 x 200	20	095718*
M 24 x 40	10	063674*
M 24 x 50	10	063675*
M 24 x 55	10	095720*
M 24 x 60	10	063676*
M 24 x 70	10	063677*
M 24 x 80	10	016965*
M 24 x 90	10	063678*
M 24 x 100	10	016978*
M 24 x 110	10	095721*
M 24 x 130	10	095722*
M 24 x 140	10	095723*
M 24 x 150	10	095724*
M 24 x 160	10	095725*
M 24 x 180	5	095726*
M 24 x 200	5	095727*
M 27 x 50	10	095728*
M 27 x 60	10	095729*
M 27 x 70	10	095730*
M 27 x 80	10	095731*
M 27 x 90	10	095732*
M 27 x 110	10	095733*
M 27 x 120	10	095734*
M 27 x 130	10	095735*

INTERNAL/Approved (2019-03-22 12:45:00)

Metric and inch screws

1

DIN 933, hexagon head, stainless steel A4		
Dimensions	PU Piece	Article No.
M 27 x 140	10	095736*
M 27 x 150	10	095738*
M 30 x 60	10	095739*
M 30 x 70	10	095740*
M 30 x 80	10	017023*

DIN 933, hexagon head, stainless steel A4		
Dimensions	PU Piece	Article No.
M 30 x 90	10	095741*
M 30 x 100	10	017072*
M 30 x 110	10	095742*
M 30 x 120	10	017164*
M 36 x 90	5	095743*

DIN 933, hexagon head, stainless steel A4		
Dimensions	PU Piece	Article No.
M 36 x 100	5	017291*
M 36 x 110	5	095744*
M 36 x 120	5	017393*

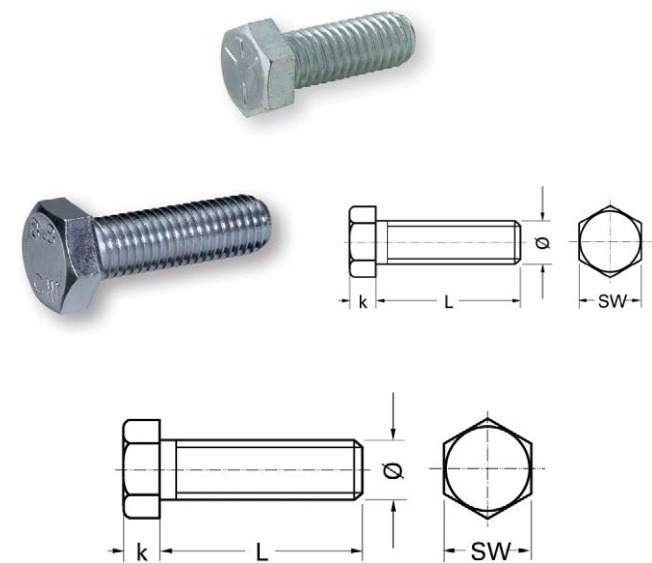
* = The delivery time is 14 days
AGR: 00.118

similar DIN 933, UNC-thread, hexagon head, steel 8.8, zinc plated

- Electro-plated version: Quality 8.8
- Hexagon head, fully threaded, with UNC thread

Hints

- UNC = american regular thread



Thread	UNC 1/4"	UNC 5/16"	UNC 3/8"
Threaded version, nominal Ø	6.35 mm	7.94 mm	9.52 mm
Number of pitches per Inch	20 PC	18 PC	16 PC
Height Of Head (k)	4.14 mm	5.36 mm	6.17 mm
Wrench	7/16 "	1/2 "	9/16 "

similar DIN 933, UNC-thread, hexagon head, steel 8.8, zinc plated			
Dimensions	Drive	PU Piece	Article No.
UNC 1/4" x 3/4 "	6KT 11.11	100	122621*
UNC 3/8" x 1 "	6KT 14.28	25	122627*

similar DIN 933, UNC-thread, hexagon head, steel 8.8, zinc plated			
Dimensions	Drive	PU Piece	Article No.
UNC 5/16" x 1 "	6KT 12.7	100	122625*
UNC 5/16" x 5/8 "	6KT 12.7	100	122623*

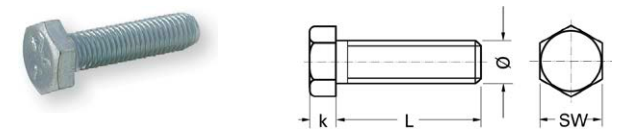
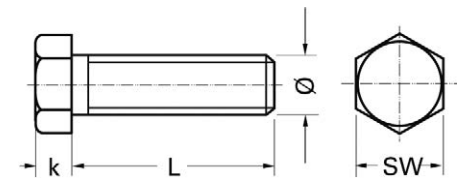
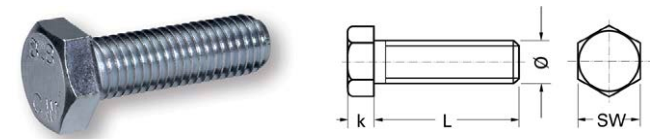
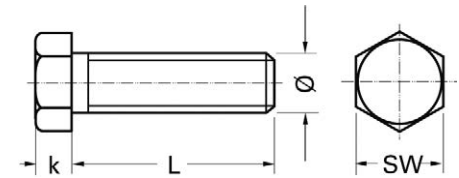
* = The delivery time is 30 days
AGR: 00.141

similar DIN 933, UNF-thread, hexagon head, steel 8.8, zinc plated

- Electro-plated version: Quality 8.8
- Hexagon head, fully threaded with UNF thread

Hints

- UNF= american fine thread



Thread	UNF 1/4"	UNF 5/16"	UNF 3/8"	UNF 7/16"
Threaded version, nominal Ø	6.35 mm	7.94 mm	9.52 mm	11.11 mm
Number of pitches per Inch	28 PC	24 PC	24 PC	20 PC
Height Of Head (k)	4.14 mm	5.36 mm	6.17 mm	7.39 mm
Wrench	7/16 "	1/2 "	9/16 "	5/8 "

similar DIN 933, UNF-thread, hexagon head, steel 8.8, zinc plated			
Dimensions	Drive	PU Piece	Article No.
UNF 1/4" x 1/2 "	6KT 11.11	100	122630*
UNF 1/4" x 3/4 "	6KT 11.11	100	122632*

similar DIN 933, UNF-thread, hexagon head, steel 8.8, zinc plated			
Dimensions	Drive	PU Piece	Article No.
UNF 1/4" x 5/8 "	6KT 11.11	100	122631*
UNF 3/8" x 1 "	6KT 14.28	25	122641*

similar DIN 933, UNF-thread, hexagon head, steel 8.8, zinc plated			
Dimensions	Drive	PU Piece	Article No.
UNF 3/8" x 3/4 "	6KT 14.28	25	122640*
UNF 5/16" x 1/2 "	6KT 12.7	100	122634*

INTERNAL/Approved (2019-03-22 12:46:05)

Metric and inch screws

1

similar DIN 933, UNF-thread, hexagon head, steel 8.8, zinc plated

Dimensions	Drive	PU Piece	Article No.
UNF 5/16" x 1 "	6KT 12.7	100	122639*
UNF 5/16" x 3/4 "	6KT 12.7	100	122636*

similar DIN 933, UNF-thread, hexagon head, steel 8.8, zinc plated

Dimensions	Drive	PU Piece	Article No.
UNF 7/16" x 1 "	6KT 15.87	25	122643*
UNF 7/16" x 1 1/2 "	6KT 15.87	25	508870*

similar DIN 933, UNF-thread, hexagon head, steel 8.8, zinc plated

Dimensions	Drive	PU Piece	Article No.
UNF 7/16" x 3/4 "	6KT 15.87	25	122642*

* = The delivery time is 30 days
AGR: 00.144

DIN 601, hexagon head, steel 4.6, zinc plated

- Including rust protection
- Robust in use

Application Area

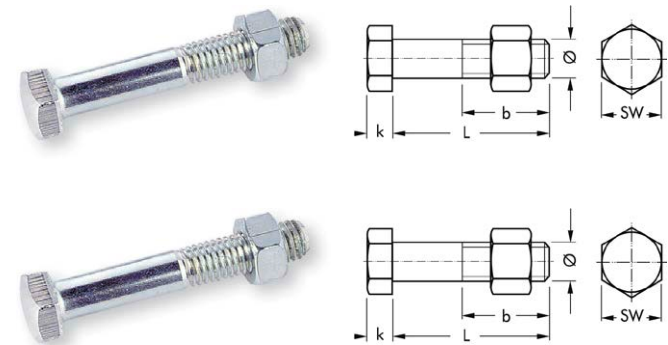
- Metal to metal or flange connections

Characteristics

- With nut DIN 555

Hints

- Short lengths of screws are supplied in full thread



Thread	M 5	M 6	M 8	M 10	M 12
Thread Pitch mm	0.8 mm	1 mm	1.25 mm	1.5 mm	1.75 mm
Height Of Head (k)	3.5 mm	4 mm	5.3 mm	6.4 mm	7.5 mm
Wrench Width	8 mm	10 mm	13 mm	17 mm	19 mm
Thread	M 14	M 16	M 20	M 24	M 27
Thread Pitch mm	2 mm	2 mm	2.5 mm	3 mm	3 mm
Height Of Head (k)	8.8 mm	10 mm	12.5 mm	15 mm	17 mm
Wrench Width	22 mm	24 mm	30 mm	36 mm	41 mm
Thread	M 30	M 36			
Thread Pitch mm	3.5 mm	4 mm			
Height Of Head (k)	18.7 mm	22.5 mm			
Wrench Width	46 mm	55 mm			

INTERNAL/Approved (2019-03-22 12:46:11)

Metric and inch screws

1

DIN 601, hexagon head, steel 4.6, zinc plated		
Dimensions	PU Piece	Article No.
M 6 x 35	200	105791*
M 8 x 20	100	107840
M 8 x 25	100	127027
M 8 x 30	100	107859
M 8 x 80	100	107913
M 10 x 20	200	106089*
M 10 x 25	100	106097
M 10 x 30	100	106100
M 10 x 100	50	106224
M 10 x 120	50	106240
M 10 x 150	50	146286*
M 12 x 30	100	106330*
M 12 x 120	50	106470
M 12 x 140	25	106496
M 12 x 160	25	242390
M 12 x 180	25	242403
M 12 x 200	25	242411
M 12 x 220	25	242420
M 12 x 240	25	242438
M 12 x 260	25	242446
M 12 x 280	25	242454
M 12 x 300	25	242462
M 12 x 360	25	516562*
M 12 x 400	25	139003*
M 16 x 60	25	106852
M 16 x 65	25	106860
M 16 x 80	25	106895
M 16 x 90	25	106909
M 16 x 120	25	106933
M 16 x 140	25	106950
M 16 x 150	25	106968*

DIN 601, hexagon head, steel 4.6, zinc plated		
Dimensions	PU Piece	Article No.
M 16 x 160	25	106976*
M 16 x 180	25	106984
M 16 x 200	25	106992
M 16 x 220	25	242470
M 16 x 240	25	242489
M 16 x 260	25	242497
M 16 x 280	25	242500
M 16 x 300	25	179485
M 16 x 320	25	516678
M 16 x 340	25	519529
M 16 x 360	25	516686
M 16 x 380	25	516694
M 16 x 420	25	519561
M 20 x 65	25	123590*
M 20 x 70	25	107247*
M 20 x 90	25	107271*
M 20 x 100	25	139013*
M 20 x 110	25	123629*
M 20 x 140	25	139015*
x	100	107743*
x	200	843634*
x	100	107786
x	100	107794
x	100	107808
x	100	107816
x	100	107824
x	100	107832
x	100	134813
x	100	107875
x	100	107883
x	100	107891

DIN 601, hexagon head, steel 4.6, zinc plated		
Dimensions	PU Piece	Article No.
x	50	144784*
x	50	146283*
x	25	106267
x	25	106283
x	200	123331*
x	50	123374*
x	25	284602
x	25	284610
x	25	138997*
x	25	138998*
x	25	123382*
x	25	123390*
x	25	123404*
x	100	106119*
x	100	106127
x	100	106135*
x	100	107921
x	100	123340*
x	50	107930
x	100	123358*
x	50	107948
x	100	123366*
x	50	106208
x	100	245453*
x	50	106453
x	50	146284*
x	50	502073*
x	50	057041*
x	50	123463*
x	100	123412*
x	25	123480*

INTERNAL/Approved (2019-03-22 12:46:56)

Metric and inch screws

1

DIN 601, hexagon head, steel 4.6, zinc plated		
Dimensions	PU Piece	Article No.
x	100	106321*
x	25	695203
x	25	139000*
x	100	032188*
x	25	139002*
x	100	106356*
x	25	139004*
x	25	139005*
x	100	106364*
x	25	139008*
x	25	139010*
x	25	139011*
x	50	106372
x	25	123498*
x	25	123510*
x	100	123420*
x	25	123521*
x	25	123527*
x	25	123528*
x	50	106399
x	50	123439*
x	50	106410
x	50	123447*
x	50	106437
x	50	123455*
x	50	245461*
x	50	144793*
x	50	123552*
x	50	123553*
x	50	123554*
x	25	123555*

DIN 601, hexagon head, steel 4.6, zinc plated		
Dimensions	PU Piece	Article No.
x	25	123556*
x	100	123529*
x	100	123530*
x	100	123531*
x	50	123532*
x	50	123533*
x	50	123534*
x	50	106666*
x	50	123535*
x	50	106682*
x	50	123544*
x	50	123551*
x	25	106917
x	25	005129*
x	25	005128*
x	25	123560*
x	25	123562*
x	25	123564*
x	25	519545
x	25	520071
x	50	106828*
x	25	520152
x	10	873209
x	10	873217*
x	50	106836
x	10	123565*
x	10	123566*
x	50	106844
x	10	123567*
x	10	123568*
x	10	123570*

DIN 601, hexagon head, steel 4.6, zinc plated		
Dimensions	PU Piece	Article No.
x	25	106879
x	25	502081*
x	25	123558*
x	25	123559*
x	25	139014*
x	25	123633*
x	25	005446*
x	10	139016*
x	10	123639*
x	10	139017*
x	10	123640*
x	10	139018*
x	10	139019*
x	10	139020*
x	10	123641*
x	10	139021*
x	10	139022*
x	10	139023*
x	25	123572*
x	10	139024*
x	10	139026*
x	25	123573*
x	10	139027*
x	10	139028*
x	10	139029*
x	25	032245*
x	10	139030*
x	10	139031*
x	25	123574*
x	10	139032*
x	1	139034*

INTERNAL/Approved (2019-03-22 12:47:03)

Metric and inch screws

1

DIN 601, hexagon head, steel 4.6, zinc plated		
Dimensions	PU Piece	Article No.
x	1	139035*
x	25	144811*
x	1	123642*
x	1	123643*
x	25	123579*
x	1	123644*
x	1	123650*
x	1	123651*
x	25	139012*
x	25	123595*
x	25	107263*
x	25	123625*
x	10	123663*
x	10	123664*
x	10	123665*
x	10	123668*
x	10	123669*
x	10	123682*
x	10	123690*
x	10	123714*
x	10	123749*
x	10	139036*
x	10	139037*
x	10	139038*
x	10	139039*
x	10	139040*
x	1	139042*
x	1	139043*
x	1	139044*
x	1	139045*
x	1	139046*

DIN 601, hexagon head, steel 4.6, zinc plated		
Dimensions	PU Piece	Article No.
x	1	139047*
x	1	139048*
x	1	139049*
x	25	123652*
x	1	139050*
x	25	123654*
x	25	123655*
x	25	123656*
x	25	123657*
x	25	123658*
x	25	123659*
x	25	123660*
x	10	123661*
x	10	123662*
x	10	123854*
x	10	123862*
x	10	123870*
x	10	123889*
x	10	123909*
x	10	123913*
x	1	123917*
x	1	123920*
x	1	123922*
x	10	123773*
x	10	123820*
x	10	123838*
x	10	123842*
x	10	123843*
x	10	123844*
x	10	123846*
x	10	123933*

DIN 601, hexagon head, steel 4.6, zinc plated		
Dimensions	PU Piece	Article No.
x	10	123934*
x	10	123935*
x	1	123937*
x	1	123938*
x	1	123939*
x	1	123940*
x	1	123941*
x	1	123942*
x	1	123947*
x	1	123950*
x	10	123927*
x	10	123929*
x	10	123930*
x	10	123932*
x	1	123955*
x	1	123956*
x	1	123957*
x	1	123960*
x	1	123962*
x	1	123963*
x	100	123218*
x	100	107735*
x	100	123226*
x	200	123228*
x	200	123229*
x	200	123231*
x	200	123232*
x	200	123234*
x	200	123236*
x	100	245437
x	100	123241*

INTERNAL/Approved (2019-03-22 12:48:10)

1

DIN 601, hexagon head, steel 4.6, zinc plated		
Dimensions	PU Piece	Article No.
x	100	123242*
x	100	107760*
x	100	107778
x	100	127019*
x	200	123250*
x	200	123269*
x	200	123277*
x	200	123285*

DIN 601, hexagon head, steel 4.6, zinc plated		
Dimensions	PU Piece	Article No.
x	100	245429*
x	100	502065*
x	100	284521*
x	100	123305*
x	50	123307*
x	50	123315*
x	50	123324*
x	200	105899*

DIN 601, hexagon head, steel 4.6, zinc plated		
Dimensions	PU Piece	Article No.
x	200	107867*
x	200	105953*
x	200	123293*
x	200	105996*
x	100	107905
x	200	123300*
x	100	245445*

* = The delivery time is 10 days
AGR: 00.001

HV screws EN 14399-4, hexagon head, steel 10.9, hot dip galvanized

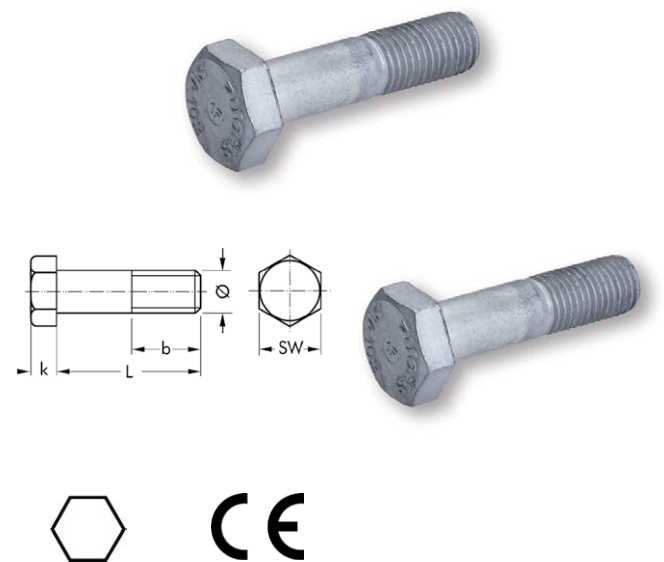
- K-class K1 = defined frictional properties for pre-stressing -> Safe achievement of the pre-load force
- CE mark = Controlled construction product -> Accordance with the performances which are delivered in the performance declaration as well as compliance with European legislation
- ID number = identification number stamped on bolt head and nut -> entrance examination certification 3.1 can be omitted
- Galvanized steel = high-quality protection against corrosion -> long-term operability of the screw connection
- Large wrench width = better use of screw strength -> Less HV sets or smaller screw dimensions are needed

Application Area

- High-strength pre-stressed sets for bolted connections in steel and metal constructions
- These parts are used in shear/bearing stress connections, slip-free connections and tension connections of the categories A to E according to EN 1993-1-8. The HV sets are suitable for pre-stressed and non pre-stressed connections

Characteristics

- system HV
- K-class K1



Processing Information

- The design and installation is carried out according to DIN EN 1090-2 and EN 1993-1-8 / NA. In the DIN EN 1090-2 are also the systems for monitoring and testing of joints
Use these screws with HV-nuts to DIN EN 14399-4 and HV washers according to DIN EN 14399-6

Hints

- Former DIN 6914 (HV-screw)
Only complete sets (screws, nuts and washers) of a manufacturer to use!

Thread	M 12	M 16	M 20	M 22	M 24
Thread Pitch mm	1.75 mm	2 mm	2.5 mm	2.5 mm	3 mm
Height Of Head (k)	8 mm	10 mm	13 mm	14 mm	15 mm
Wrench Width	22 mm	27 mm	32 mm	36 mm	41 mm
Thread	M 27	M 30	M 36		
Thread Pitch mm	3 mm	3.5 mm	4 mm		
Height Of Head (k)	17 mm	19 mm	23 mm		
Wrench Width	46 mm	50 mm	60 mm		

HV screws EN 14399-4, hexagon head, steel 10.9, hot dip galvanized		
Dimensions	PU Piece	Article No.
M 12 x 30	1	207533*
M 12 x 35	1	187146*
M 12 x 40	1	187239*
M 12 x 45	1	187241*
M 12 x 50	1	187242*
M 12 x 55	1	187243*
M 12 x 60	1	187244*
M 12 x 65	1	187245*
M 12 x 70	1	187246*
M 12 x 75	1	207534*
M 12 x 80	1	207535*

HV screws EN 14399-4, hexagon head, steel 10.9, hot dip galvanized		
Dimensions	PU Piece	Article No.
M 12 x 85	1	207536*
M 12 x 90	1	207537*
M 12 x 100	1	207538*
M 16 x 40	1	187254*
M 16 x 45	1	187255*
M 16 x 50	1	187256*
M 16 x 55	1	187257*
M 16 x 60	1	187258*
M 16 x 65	1	187259*
M 16 x 70	1	187260*
M 16 x 75	1	187261*

HV screws EN 14399-4, hexagon head, steel 10.9, hot dip galvanized		
Dimensions	PU Piece	Article No.
M 16 x 80	1	187262*
M 16 x 85	1	187263*
M 16 x 90	1	187264*
M 16 x 95	1	187265*
M 16 x 100	1	187247*
M 16 x 105	1	187248*
M 16 x 110	1	187249*
M 16 x 115	1	187250*
M 16 x 120	1	187251*
M 16 x 125	1	187252*
M 16 x 130	1	187253*

INTERNAL/Approved (2019-03-22 12:49:02)

Metric and inch screws

1

HV screws EN 14399-4, hexagon head, steel 10.9, hot dip galvanized		
Dimensions	PU Piece	Article No.
M 16 x 140	1	207539*
M 20 x 40	1	207540*
M 20 x 45	1	187280*
M 20 x 50	1	187281*
M 20 x 55	1	187282*
M 20 x 60	1	187284*
M 20 x 65	1	187285*
M 20 x 70	1	187286*
M 20 x 75	1	187287*
M 20 x 80	1	187288*
M 20 x 85	1	187289*
M 20 x 90	1	187290*
M 20 x 95	1	187291*
M 20 x 100	1	187266*
M 20 x 105	1	187267*
M 20 x 110	1	187268*
M 20 x 115	1	187269*
M 20 x 120	1	187270*
M 20 x 125	1	187271*
M 20 x 130	1	187272*
M 20 x 135	1	187273*
M 20 x 140	1	187274*
M 20 x 145	1	187276*
M 20 x 150	1	187277*
M 20 x 155	1	187278*
M 20 x 160	1	187279*
x	1	187292*
x	1	187293*
x	1	187294*
x	1	187295*
x	1	187296*

HV screws EN 14399-4, hexagon head, steel 10.9, hot dip galvanized		
Dimensions	PU Piece	Article No.
x	1	187297*
x	1	187298*
x	1	187299*
x	1	187300*
x	1	187301*
x	1	187303*
x	1	187304*
x	1	187306*
x	1	187307*
x	1	187308*
x	1	187309*
x	1	187310*
x	1	187311*
x	1	187312*
x	1	187314*
x	1	187315*
x	1	187316*
x	1	187317*
x	1	187318*
x	1	187319*
x	1	187320*
x	1	187321*
x	1	187322*
x	1	187323*
x	1	187324*
x	1	187325*
x	1	187326*
x	1	187327*
x	1	187328*
x	1	187329*
x	1	187330*

HV screws EN 14399-4, hexagon head, steel 10.9, hot dip galvanized		
Dimensions	PU Piece	Article No.
x	1	187331*
x	1	187332*
x	1	187333*
x	1	187334*
x	1	187335*
x	1	187336*
x	1	187337*
x	1	187338*
x	1	187339*
x	1	187340*
x	1	187341*
x	1	187342*
x	1	187343*
x	1	187344*
x	1	187345*
x	1	187346*
x	1	187347*
x	1	187348*
x	1	187349*
x	1	187350*
x	1	187351*
x	1	187352*
x	1	187353*
x	1	187354*
x	1	187355*
x	1	187356*
x	1	187357*
x	1	187358*
x	1	187359*
x	1	187360*
x	1	187361*

INTERNAL/Approved (2019-03-22 12:49:06)

Metric and inch screws

1

HV screws EN 14399-4, hexagon head, steel 10.9, hot dip galvanized		
Dimensions	PU Piece	Article No.
x	1	187362*
x	1	187363*
x	1	187365*
x	1	187366*
x	1	187367*
x	1	187368*
x	1	187369*
x	1	187370*
x	1	187371*
x	1	187373*
x	1	187374*
x	1	187376*
x	1	187377*
x	1	187378*
x	1	187379*
x	1	187381*
x	1	187382*
x	1	187383*
x	1	187384*
x	1	187385*
x	1	187386*
x	1	187387*
x	1	187388*
x	1	187389*
x	1	187390*
x	1	187391*
x	1	187392*

HV screws EN 14399-4, hexagon head, steel 10.9, hot dip galvanized		
Dimensions	PU Piece	Article No.
x	1	187393*
x	1	187394*
x	1	187395*
x	1	187396*
x	1	187397*
x	1	187398*
x	1	187400*
x	1	187401*
x	1	187402*
x	1	187403*
x	1	187404*
x	1	187405*
x	1	187406*
x	1	187407*
x	1	187408*
x	1	187409*
x	1	187410*
x	1	187411*
x	1	187412*
x	1	187413*
x	1	187414*
x	1	187415*
x	1	187416*
x	1	187417*
x	1	187418*
x	1	187419*
x	1	187420*

HV screws EN 14399-4, hexagon head, steel 10.9, hot dip galvanized		
Dimensions	PU Piece	Article No.
x	1	187421*
x	1	187422*
x	1	187423*
x	1	187424*
x	1	187425*
x	1	187426*
x	1	187427*
x	1	187428*
x	1	187430*
x	1	187431*
x	1	187432*
x	1	187433*
x	1	187434*
x	1	187435*
x	1	187436*
x	1	187438*
x	1	187439*
x	1	187440*
x	1	187441*
x	1	187442*
x	1	187443*
x	1	187444*
x	1	187446*
x	1	187447*
x	1	187228*

* = The delivery time is 42 days
AGR: 00.199

INTERNAL/Approved (2019-03-22 12:49:59)

DIN EN 14399-4, steel 10, hot dip galvanized

Characteristics

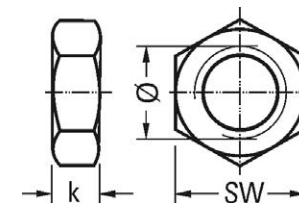
- system HV
- K-class K1
- MoS2 lubricated

Processing Information

- These nuts are designed for use with HV screws to DIN EN 14399-4 and HV washers according to DIN EN 14399-6

Hints

- Former DIN 6915 (HV-nut)
- Only complete sets (screws, nuts and washers) of a manufacturer to use!
- By coating (MoS2 - containing lubricant) the nuts get the darker appearance



DIN EN 14399-4, steel 10, hot dip galvanized

Title	Thread	Thread Pitch mm	Height nut	Wrench Width	PU Piece	Article No.
HV hexagon nut	M 12	1.75 mm	10 mm	22 mm	1/200	187193
HV hexagon nut	M 16	2 mm	13 mm	27 mm	1/100	187194
HV hexagon nut	M 20	2.5 mm	16 mm	32 mm	1/100	187195
HV hexagon nut	M 22	2.5 mm	18 mm	36 mm	1	187196*
HV hexagon nut	M 24	3 mm	20 mm	41 mm	1	187197*
HV hexagon nut	M 27	3 mm	22 mm	46 mm	1	187198*
HV hexagon nut	M 30	3.5 mm	24 mm	50 mm	1	187199*
HV hexagon nut	M 36	4 mm	29 mm	60 mm	1	187200*

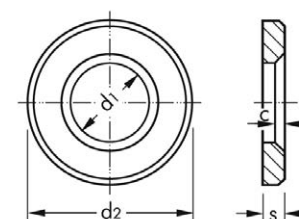
* = The delivery time is 10 days

AGR: 01.009

DIN EN 14399-6, steel 300-370HV, hot dip galvanized

Characteristics

- DIN EN 14399-6 = with chamfer
- system HV
- K-class K1



Processing Information

- These wheels are designed for use with HV screws to DIN EN 14399-4 and HV-nuts to DIN EN 14399-4

Hints

- Former DIN 6916 (HV-disc)
- Only complete sets (screws, nuts and washers) of a manufacturer to use!

Title	For screw Ø	Internal Ø	External Ø	Thickness material	PU Piece	Article No.
HV washer	M 12	13 mm	24 mm	3 mm	1/200	187215
HV washer	M 16	17 mm	30 mm	4 mm	1/200	187217
HV washer	M 20	21 mm	37 mm	4 mm	1/200	187218
HV washer	M 22	23 mm	39 mm	4 mm	1	187219*
HV washer	M 24	25 mm	44 mm	4 mm	1	187220*
HV washer	M 27	28 mm	50 mm	5 mm	1	187221*
HV washer	M 30	31 mm	56 mm	5 mm	1	187222*
HV washer	M 36	37 mm	66 mm	5 mm	1	187223*

* = The delivery time is 10 days

AGR: 01.219

1

SB assemblies DIN 7990 & EN 15048-1, hexagon head, steel 4.6, hot dip galvanized

Application Area

- Low-strength and not pre-stressed set for bolted connections in steel and metal constructions in accordance to EN 15048-1
- These parts are used in shear/bearing stress connections of the category A and in not pre-stressed tension connections of the category D in accordance to EN 1993-1-8

Characteristics

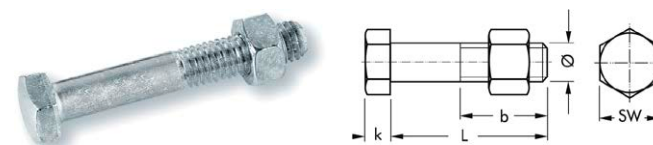
- SB Set consisting of hexagonal screw DIN 7990 and hexagon nut ISO 4032 or ISO 4034
- SB (= Structural Bolting) marking on the bolt head and nut
- CE marked

Processing Information

- The design and installation is carried out according to DIN EN 1090-2 and EN 1993-1-8 / NA
- Discs are generally not required in normal round holes. If the SB-set still used with washers, please select the declaration of performance "use with disc"

Hints

- Conversion to ISO wrench sizes (abbreviation in German: SW) - > M = 12 SW 18
- Hot-dip galvanized screw / nut sets may only be screwed together, because thread tolerances (thread clearance) are matched accordingly to fit each other. The use of other screw or nut versions can lead to problems bolting and / or failure of the connection - see technical information



CE

Metric and inch screws

1

Thread	M 12	M 16	M 20	M 24	M 27
Thread Pitch mm	1.75 mm	2 mm	2.5 mm	3 mm	3 mm
Height Of Head (k)	8 mm	10 mm	13 mm	15 mm	17 mm
Wrench Width	18 mm	24 mm	30 mm	36 mm	41 mm
Thread	M 30				
Thread Pitch mm	3.5 mm				
Height Of Head (k)	19 mm				
Wrench Width	46 mm				

SB assemblies DIN 7990 & EN 15048-1, hexagon head, steel 4.6, hot dip galvanized

Dimensions	PU Piece	Article No.
M 12 x 55	100	150142*
M 16 x 70	25	150348*
M 16 x 75	25	150355*
M 20 x 95	25	150467*
x	50	150105*
x	50	150106*
x	50	150107*
x	50	150108*
x	50	150109*
x	50	150110*
x	100	150111*
x	100	150112*
x	100	150113*
x	100	150115*
x	100	150134*
x	100	150150*
x	50	150169*
x	50	150177*
x	50	150185*
x	50	150193*
x	50	150202*

SB assemblies DIN 7990 & EN 15048-1, hexagon head, steel 4.6, hot dip galvanized

Dimensions	PU Piece	Article No.
x	50	150203*
x	50	150207*
x	25	150215*
x	25	150223*
x	25	150231*
x	25	150240*
x	25	150258*
x	25	150266*
x	25	150274*
x	25	150312*
x	50	150317*
x	50	150319*
x	50	150320*
x	50	150321*
x	50	150322*
x	50	150339*
x	25	150347*
x	25	150363*
x	25	150371*
x	25	150380*
x	25	150385*

SB assemblies DIN 7990 & EN 15048-1, hexagon head, steel 4.6, hot dip galvanized

Dimensions	PU Piece	Article No.
x	25	150386*
x	25	150398*
x	25	150400*
x	25	150401*
x	25	150406*
x	25	150410*
x	25	150413*
x	25	150415*
x	25	150417*
x	25	150428*
x	25	150432*
x	25	150436*
x	25	150440*
x	25	150441*
x	25	150442*
x	25	150444*
x	25	150445*
x	25	150464*
x	25	150466*
x	10	150469*
x	10	150470*

INTERNAL/Approved (2019-03-22 12:51:12)

Metric and inch screws

1

SB assemblies DIN 7990 & EN 15048-1, hexagon head, steel 4.6, hot dip galvanized		
Dimensions	PU Piece	Article No.
x	10	150472*
x	10	150476*
x	10	150477*
x	10	150481*
x	10	150482*
x	10	150485*
x	10	150489*
x	25	150491*
x	25	150494*
x	25	150495*
x	25	150496*
x	25	150498*

SB assemblies DIN 7990 & EN 15048-1, hexagon head, steel 4.6, hot dip galvanized		
Dimensions	PU Piece	Article No.
x	25	150499*
x	25	150500*
x	10	150501*
x	10	150502*
x	10	150503*
x	1	149241*
x	1	149250*
x	1	149263*
x	1	149266*
x	1	149267*
x	10	150504*
x	10	150505*

SB assemblies DIN 7990 & EN 15048-1, hexagon head, steel 4.6, hot dip galvanized		
Dimensions	PU Piece	Article No.
x	10	150506*
x	10	150507*
x	10	150509*
x	10	150517*
x	10	150523*
x	10	150524*
x	1	149268*
x	1	149270*
x	1	149274*
x	1	149276*

* = The delivery time is 10 days
AGR: 00.199

SB assemblies DIN 7990 & EN 15048-1, hexagon head, steel 5.6, hot dip galvanized

Application Area

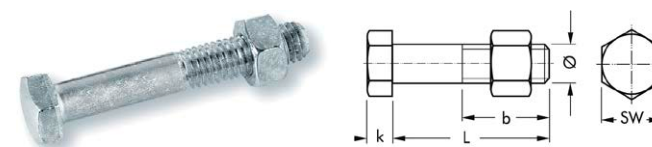
- Low-strength and not pre-stressed set for bolted connections in steel and metal constructions in accordance to EN 15048-1
- These parts are used in shear/bearing stress connections of the category A and in not pre-stressed tension connections of the category D in accordance to EN 1993-1-8

Characteristics

- SB Set consisting of hexagonal screw DIN 7990 and hexagon nut ISO 4032 or ISO 4034
SB (= Structural Bolting) marking on the bolt head and nut
CE marked

Processing Information

- The design and installation is carried out according to DIN EN 1090-2 and EN 1993-1-8 / NA
Discs are generally not required in normal round holes. If the SB-set still used with washers, please select the declaration of performance "use with disc"



Hints

- Conversion to ISO wrench sizes (abbreviation in german: SW) - > M = 12 SW 18
Hot-dip galvanized screw / nut sets may only be screwed together, because thread tolerances (thread clearance) are matched accordingly to fit each other. The use of other screw or nut versions can lead to problems bolting and / or failure of the connection - see technical information

Thread	M 12	M 16	M 20	M 24
Thread Pitch mm	1.75 mm	2 mm	2.5 mm	3 mm
Height Of Head (k)	8 mm	10 mm	13 mm	15 mm
Wrench Width	18 mm	24 mm	30 mm	36 mm

SB assemblies DIN 7990 & EN 15048-1, hexagon head, steel 5.6, hot dip galvanized

Dimensions	PU Piece	Article No.
x	100	150527*
x	100	150528*
x	100	150529*
x	100	150530*
x	100	150531*
x	100	150532*
x	50	150533*
x	50	150534*
x	50	150535*
x	50	150536*
x	50	150537*

SB assemblies DIN 7990 & EN 15048-1, hexagon head, steel 5.6, hot dip galvanized

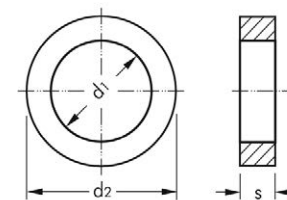
Dimensions	PU Piece	Article No.
x	50	150538*
x	25	150539*
x	25	150540*
x	25	150541*
x	25	150542*
x	25	150543*
x	25	150544*
x	25	150545*
x	25	150546*
x	25	150547*
x	25	150548*

SB assemblies DIN 7990 & EN 15048-1, hexagon head, steel 5.6, hot dip galvanized

Dimensions	PU Piece	Article No.
x	25	150549*
x	25	150551*
x	25	150552*
x	25	150554*
x	25	150555*
x	25	150556*
x	25	150557*
x	25	150561*
x	25	150562*
x	10	150566*

* = The delivery time is 10 days
AGR: 00.199

DIN 7989-1, steel 100HV, hot dip galvanized



Characteristics

- Product grade C
- punched
- (formerly: Version A)
- in Ü identified

Processing Information

- The design and installation is carried out according to DIN EN 1090-2 and EN 1993-1-8 / NA
- These wheels are designed for use with SB-sets according to DIN EN 15048-1 / DIN 7990
- Discs are generally not required in normal round holes. If the SB-set still used with washers, please select the declaration of performance "use with disc"

Hints

- Product is out in List A, therefore it has CE instead of an OB mark

DIN 7989-1, steel 100HV, hot dip galvanized

Title	For screw Ø	Internal Ø	External Ø	Thickness material	PU Piece	Article No.
Washer	M 10	11 mm	20 mm	8 mm	100	149969*
Washer	M 12	13.5 mm	24 mm	8 mm	100	149972*
Washer	M 16	17.5 mm	30 mm	8 mm	100	149977*
Washer	M 20	22 mm	37 mm	8 mm	100	149983*
Washer	M 22	24 mm	39 mm	8 mm	100	149985*
Washer	M 24	26 mm	44 mm	8 mm	100	149993*
Washer	M 27	30 mm	50 mm	8 mm	50	150006*
Washer	M 30	33 mm	56 mm	8 mm	50	150010*
Washer	M 33	36 mm	60 mm	8 mm	50	150029*
Washer	M 36	39 mm	66 mm	8 mm	50	150037*

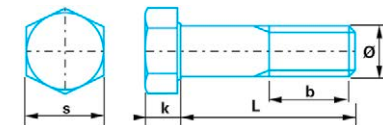
* = The delivery time is 10 days

AGR: 01.219

DIN 960, fine thread, hexagon head, steel 8.8, plain

Characteristics

- Hexagonal steel 8.8 blank



Thread	M 10	M 12	M 14	M 16
Thread Pitch mm	1.25 mm	1.5 mm	1.5 mm	1.5 mm
Height Of Head (k)	6.4 mm	7.5 mm	8.8 mm	10 mm
Wrench Width	17 mm	19 mm	22 mm	24 mm

INTERNAL/Approved (2019-03-22 12:51:52)

DIN 960, fine thread, hexagon head, steel 8.8, plain		
Dimensions	PU Piece	Article No.
M 10 x 1.25 x 40	100	833736
M 10 x 1.25 x 50	100	833750
M 10 x 1.25 x 60	100	833774
M 10 x 1.25 x 70	50	833798
M 12 x 1.5 x 50	50	096350

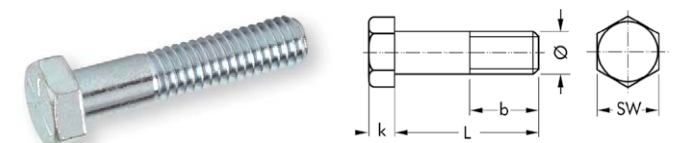
DIN 960, fine thread, hexagon head, steel 8.8, plain		
Dimensions	PU Piece	Article No.
M 12 x 1.5 x 60	50	096377
M 12 x 1.5 x 70	50	096393
M 12 x 1.5 x 80	50	096415
M 14 x 1.5 x 50	50	096431
M 14 x 1.5 x 60	50	096458

DIN 960, fine thread, hexagon head, steel 8.8, plain		
Dimensions	PU Piece	Article No.
M 14 x 1.5 x 70	50	096474
M 16 x 1.5 x 60	50	096520
M 16 x 1.5 x 70	50	096547
M 16 x 1.5 x 80	50	096563

AGR: 00.130

DIN 960, fine thread, hexagon head, steel 8.8, zinc plated

Hints



Metric and inch screws

1

- Ø M12 and M14 are supplied according to DIN 960
- DIN-ISO Difference in width across flats:
 - M12: DIN=19
 - ISO=18
 - M14: DIN=22
 - ISO=21

Thread	M 12	M 12	M 14	M 16	M 20
Thread Pitch mm	1.5 mm	1.25 mm	1.5 mm	1.5 mm	1.5 mm
Height Of Head (k)	7.5 mm	7.5 mm	8.8 mm	10 mm	12.5 mm
Wrench Width	19 mm	19 mm	22 mm	24 mm	30 mm
Thread	M 24				
Thread Pitch mm	2 mm				
Height Of Head (k)	15 mm				
Wrench Width	36 mm				

DIN 960, fine thread, hexagon head, steel 8.8, zinc plated		
Dimensions	PU Piece	Article No.
M 12 x 1.25 x 50	100	920410*
M 12 x 1.25 x 60	100	920411*
M 12 x 1.25 x 70	50	920412*
M 12 x 1.25 x 80	50	544248*
M 12 x 1.25 x 90	50	920414*
M 12 x 1.25 x 100	50	126694*
M 12 x 1.25 x 110	50	920416*
M 12 x 1.25 x 120	50	920417*
M 12 x 1.25 x 130	50	126695*
M 12 x 1.5 x 45	100	920419*
M 12 x 1.5 x 50	100	544329*
M 12 x 1.5 x 60	100	544345*
M 12 x 1.5 x 65	50	930489*
M 12 x 1.5 x 70	50	920423*
M 12 x 1.5 x 80	50	126696*

DIN 960, fine thread, hexagon head, steel 8.8, zinc plated		
Dimensions	PU Piece	Article No.
M 12 x 1.5 x 90	50	920425*
M 12 x 1.5 x 100	50	920426*
M 12 x 1.5 x 110	50	126697*
M 12 x 1.5 x 120	50	126698*
M 12 x 1.5 x 130	50	126699*
M 12 x 1.5 x 140	50	126700*
M 14 x 1.5 x 50	50	126701*
M 14 x 1.5 x 60	50	126702*
M 14 x 1.5 x 65	50	126703*
M 14 x 1.5 x 70	50	920430*
M 14 x 1.5 x 75	50	126704*
M 14 x 1.5 x 80	50	544469*
M 14 x 1.5 x 90	50	544485*
M 14 x 1.5 x 100	50	920433*
M 16 x 1.5 x 55	50	544523*

DIN 960, fine thread, hexagon head, steel 8.8, zinc plated		
Dimensions	PU Piece	Article No.
M 16 x 1.5 x 60	50	126705*
M 16 x 1.5 x 65	25	126706*
M 16 x 1.5 x 70	25	126707*
M 16 x 1.5 x 75	25	126708*
M 16 x 1.5 x 80	25	544566*
M 16 x 1.5 x 85	25	126709*
M 16 x 1.5 x 90	25	920440*
M 16 x 1.5 x 100	25	920441*
M 16 x 1.5 x 110	25	920442*
M 16 x 1.5 x 120	25	126710*
M 16 x 1.5 x 130	25	920444*
M 16 x 1.5 x 140	25	920445*
M 16 x 1.5 x 150	25	126711*
M 16 x 1.5 x 160	25	126712*
M 20 x 1.5 x 65	25	126713*

INTERNAL/Approved (2019-03-22 12:52:10)

DIN 960, fine thread, hexagon head, steel 8.8, zinc plated		
Dimensions	PU Piece	Article No.
M 20 x 1.5 x 70	25	550060*
M 20 x 1.5 x 75	25	126714*
M 20 x 1.5 x 80	25	920454*
M 20 x 1.5 x 90	25	550086*
M 20 x 1.5 x 100	25	920456*
M 20 x 1.5 x 110	25	550116*
M 20 x 1.5 x 120	25	126715*

DIN 960, fine thread, hexagon head, steel 8.8, zinc plated		
Dimensions	PU Piece	Article No.
M 20 x 1.5 x 140	25	126716*
M 20 x 1.5 x 150	25	126717*
M 20 x 1.5 x 160	10	126718*
M 20 x 1.5 x 180	10	126719*
M 20 x 1.5 x 200	10	126720*
M 24 x 2 x 80	25	126721*
M 24 x 2 x 100	10	126722*

DIN 960, fine thread, hexagon head, steel 8.8, zinc plated		
Dimensions	PU Piece	Article No.
M 24 x 2 x 120	10	126723*
M 24 x 2 x 130	10	126724*
M 24 x 2 x 140	10	126725*
M 24 x 2 x 150	10	126726*
M 24 x 2 x 160	10	126727*
M 24 x 2 x 170	10	126728*

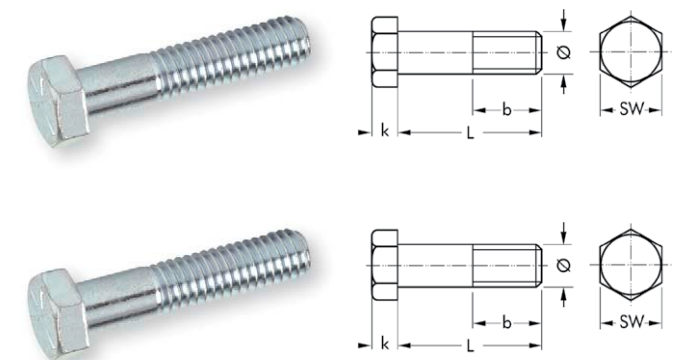
* = The delivery time is 10 days
AGR: 00.132

DIN 960, fine thread, hexagon head, steel 10.9, zinc plated

- Electroplated version: 10.9 Quality
- Hexagon bolt with metric fine thread

Hints

- Ø M10, M12 and M14 are supplied according to DIN 960
- DIN-ISO Difference in width across flats:
 - M10: DIN=17
 - ISO=16
 - M12: DIN=19
 - ISO=18
 - M14: DIN=22
 - ISO=21
- Risk of hydrogen embrittlement: In galvanic coatings on high strength parts with a tensile strength of 1000 N / mm² (eg, 10.9, 12.9) and springy Share with hardness of 320 HV, the risk of hydrogen embrittlement (brittle fracture) can not be excluded with certainty - see technical information



Thread	M 10	M 12	M 14	M 16	M 20
Thread Pitch mm	1 mm	1.5 mm	1.5 mm	1.5 mm	1.5 mm
Height Of Head (k)	6.4 mm	7.5 mm	8.8 mm	10 mm	12.5 mm
Wrench Width	17 mm	19 mm	22 mm	24 mm	30 mm

INTERNAL/Approved (2019-03-22 12:52:17)

Metric and inch screws

1

DIN 960, fine thread, hexagon head, steel 10.9, zinc plated			DIN 960, fine thread, hexagon head, steel 10.9, zinc plated			DIN 960, fine thread, hexagon head, steel 10.9, zinc plated		
Dimensions	PU Piece	Article No.	Dimensions	PU Piece	Article No.	Dimensions	PU Piece	Article No.
M 10 x 1 x 45	100	126729*	M 14 x 1.5 x 70	50	126739*	M 16 x 1.5 x 90	25	126749*
M 12 x 1.5 x 45	100	126730*	M 14 x 1.5 x 75	25	126740*	M 16 x 1.5 x 100	25	126750*
M 12 x 1.5 x 50	100	126731*	M 14 x 1.5 x 80	50	126741*	M 16 x 1.5 x 110	25	126751*
M 12 x 1.5 x 60	100	126732*	M 14 x 1.5 x 90	50	126742*	M 16 x 1.5 x 120	25	126752*
M 12 x 1.5 x 65	50	126733*	M 14 x 1.5 x 100	50	126743*	M 16 x 1.5 x 130	25	126753*
M 12 x 1.5 x 70	50	126734*	M 14 x 1.5 x 110	25	126744*	M 20 x 1.5 x 80	25	126754*
M 14 x 1.5 x 50	50	126735*	M 16 x 1.5 x 60	50	126745*	M 20 x 1.5 x 90	25	126755*
M 14 x 1.5 x 55	50	126736*	M 16 x 1.5 x 70	25	126746*	M 20 x 1.5 x 100	25	126756*
M 14 x 1.5 x 60	50	126737*	M 16 x 1.5 x 75	25	126747*	M 20 x 1.5 x 120	10	126757*
M 14 x 1.5 x 65	50	126738*	M 16 x 1.5 x 80	25	126748*			

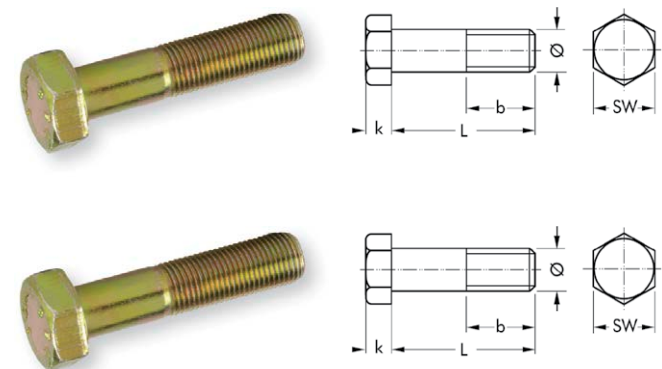
* = The delivery time is 10 days
AGR: 00.137

DIN 960, fine thread, hexagon head, steel 10.9, yellow zinc plated

- Yellow passivated finish: 10.9 Quality
- Hexagon Bolt with metric fine thread

Hints

- Ø M10, M12 and M14 are supplied according to DIN 960
- DIN-ISO Difference in width across flats:
 - M10: DIN=17
 - ISO=16
 - M12: DIN=19
 - ISO=18
 - M14: DIN=22
 - ISO=21
- Risk of hydrogen embrittlement: In galvanic coatings on high strength parts with a tensile strength of 1000 N / mm² (eg, 10.9, 12.9) and springy Share with hardness of 320 HV, the risk of hydrogen embrittlement (brittle fracture) can not be excluded with certainty - see technical information



Thread	M 10	M 12	M 14	M 16	M 18
Thread Pitch mm	1 mm	1.5 mm	1.5 mm	1.5 mm	1.5 mm
Height Of Head (k)	6.4 mm	7.5 mm	8.8 mm	10 mm	11.5 mm
Wrench Width	17 mm	19 mm	22 mm	24 mm	27 mm
Thread	M 20				
Thread Pitch mm	1.5 mm				
Height Of Head (k)	12.5 mm				
Wrench Width	30 mm				

DIN 960, fine thread, hexagon head, steel 10.9, yellow zinc plated		
Dimensions	PU Piece	Article No.
M 10 x 1 x 50	50	403687*
M 10 x 1 x 60	25	933996*
M 10 x 1 x 70	25	161690*
M 12 x 1.5 x 45	50	403695*
M 12 x 1.5 x 50	50	403709*
M 12 x 1.5 x 55	50	403717*
M 12 x 1.5 x 60	50	403725*
M 12 x 1.5 x 70	25	403733*
M 12 x 1.5 x 80	25	403741*
M 12 x 1.5 x 90	25	403750*
M 12 x 1.5 x 100	25	103695*
M 12 x 1.5 x 120	25	161692*

DIN 960, fine thread, hexagon head, steel 10.9, yellow zinc plated		
Dimensions	PU Piece	Article No.
M 14 x 1.5 x 50	25	403768*
M 14 x 1.5 x 70	25	403784*
M 14 x 1.5 x 80	25	403792*
M 14 x 1.5 x 90	25	403806*
M 14 x 1.5 x 100	25	103689*
M 14 x 1.5 x 120	25	161695*
M 14 x 1.5 x 140	25	161696*
M 16 x 1.5 x 60	10	403822*
M 16 x 1.5 x 70	10	403830*
M 16 x 1.5 x 80	10	403849*
M 16 x 1.5 x 90	10	403857*
M 16 x 1.5 x 100	10	403865*

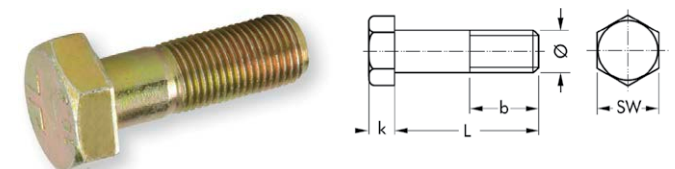
DIN 960, fine thread, hexagon head, steel 10.9, yellow zinc plated		
Dimensions	PU Piece	Article No.
M 16 x 1.5 x 120	10	403881*
M 16 x 1.5 x 140	10	161700*
M 18 x 1.5 x 60	10	934007*
M 18 x 1.5 x 70	10	161706*
M 18 x 1.5 x 80	10	934008*
M 18 x 1.5 x 100	10	934009*
M 18 x 1.5 x 160	10	161710*
M 20 x 1.5 x 80	10	934010*
M 20 x 1.5 x 90	10	103693*
M 20 x 1.5 x 100	10	934011*

* = The delivery time is 30 days
AGR: 00.136

similar DIN 960, fine thread, hexagon head, steel 10.9, yellow zinc plated

Characteristics

- Cold formed



Metric and inch screws

Hints

1

- Risk of hydrogen embrittlement: In galvanic coatings on high strength parts with a tensile strength of 1000 N / mm² (e.g: 10.9, 12.9) and springy Share with hardness of 320 HV, the risk of hydrogen embrittlement (brittle fracture) can not be excluded with certainty - see technical information

Thread	M 8	M 10	M 12	M 14	M 16
Thread Pitch mm	1 mm	1 mm	1.5 mm	1.5 mm	1.5 mm
Height Of Head (k)	5.3 mm	6.4 mm	7.5 mm	8.8 mm	10 mm
Wrench Width	13 mm	17 mm	19 mm	22 mm	24 mm

similar DIN 960, fine thread, hexagon head, steel 10.9, yellow zinc plated

Dimensions	PU Piece	Article No.
M 8 x 1 x 25	100	103837*
M 10 x 1 x 30	100	103870*
M 12 x 1.5 x 35	50	103918*

similar DIN 960, fine thread, hexagon head, steel 10.9, yellow zinc plated

Dimensions	PU Piece	Article No.
M 12 x 1.5 x 40	50	103993*
M 14 x 1.5 x 40	50	103969
M 16 x 1.5 x 40	50	103950*

similar DIN 960, fine thread, hexagon head, steel 10.9, yellow zinc plated

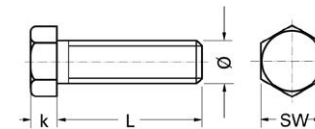
Dimensions	PU Piece	Article No.
M 16 x 1.5 x 45	50	103977*

* = The delivery time is 30 days
AGR: 00.190

DIN 961, fine thread, hexagon head, steel 8.8, zinc plated

Hints

- Ø M10, M12 and M14 are supplied according to DIN 961
- DIN-ISO Difference in width across flats:
M10: DIN=17
ISO=16
- M12: DIN=19
ISO=18
- M14: DIN=22
ISO=21



1

Thread	M 8	M 10	M 10	M 12	M 12
Thread Pitch mm	1 mm	1 mm	1.25 mm	1.25 mm	1.5 mm
Height Of Head (k)	5.3 mm	6.4 mm	6.4 mm	7.5 mm	7.5 mm
Wrench Width	13 mm	17 mm	17 mm	19 mm	19 mm
Thread	M 14	M 16	M 18	M 20	M 24
Thread Pitch mm	1.5 mm	1.5 mm	1.5 mm	1.5 mm	1.5 mm
Height Of Head (k)	8.8 mm	10 mm	11.5 mm	12.5 mm	15 mm
Wrench Width	22 mm	24 mm	27 mm	30 mm	36 mm

INTERNAL/Approved (2019-03-22 12:53:17)

DIN 961, fine thread, hexagon head, steel 8.8, zinc plated		
Dimensions	PU Piece	Article No.
M 8 x 1 x 20	200	126758*
M 10 x 1 x 16	200	126759*
M 10 x 1 x 20	200	930495*
M 10 x 1 x 25	200	126760*
M 10 x 1 x 30	200	126761*
M 10 x 1 x 40	100	126762*
M 10 x 1 x 50	100	126763*
M 10 x 1.25 x 20	200	126764*
M 10 x 1.25 x 25	200	836125*

DIN 961, fine thread, hexagon head, steel 8.8, zinc plated		
Dimensions	PU Piece	Article No.
M 10 x 1.25 x 30	200	126765*
M 10 x 1.25 x 35	100	836141*
M 10 x 1.25 x 40	100	920465*
M 10 x 1.25 x 45	100	126766*
M 10 x 1.25 x 50	100	126767*
M 12 x 1.25 x 20	100	126768*
M 12 x 1.25 x 25	100	920466*
M 12 x 1.25 x 30	100	836150*
M 12 x 1.25 x 35	100	126769*

DIN 961, fine thread, hexagon head, steel 8.8, zinc plated		
Dimensions	PU Piece	Article No.
M 12 x 1.25 x 40	100	500968*
M 12 x 1.25 x 45	100	126770*
M 12 x 1.5 x 20	100	126771*
M 12 x 1.5 x 25	100	920471*
M 12 x 1.5 x 30	100	836184*
M 12 x 1.5 x 35	100	920473*
M 12 x 1.5 x 40	100	126772*
M 12 x 1.5 x 45	100	126773*
M 12 x 1.5 x 50	100	126774*

Metric and inch screws

1

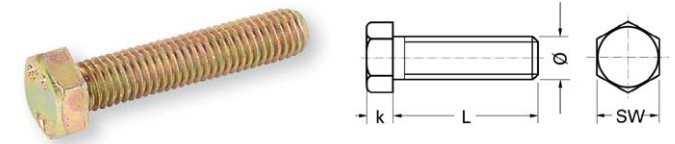
DIN 961, fine thread, hexagon head, steel 8.8, zinc plated		
Dimensions	PU Piece	Article No.
M 12 x 1.5 x 55	100	126775*
M 12 x 1.5 x 60	100	126776*
M 12 x 1.5 x 80	50	126777*
M 14 x 1.5 x 25	100	920479*
M 14 x 1.5 x 30	100	126778*
M 14 x 1.5 x 35	100	836192*
M 14 x 1.5 x 40	100	126779*
M 14 x 1.5 x 45	50	836206*
M 14 x 1.5 x 50	50	126780*
M 14 x 1.5 x 60	50	126781*
M 14 x 1.5 x 70	50	126782*
M 14 x 1.5 x 80	50	126783*
M 14 x 1.5 x 90	50	126784*
M 14 x 1.5 x 100	50	126785*
M 16 x 1.5 x 30	50	920486*
M 16 x 1.5 x 35	50	920487*

DIN 961, fine thread, hexagon head, steel 8.8, zinc plated		
Dimensions	PU Piece	Article No.
M 16 x 1.5 x 40	50	126786*
M 16 x 1.5 x 45	50	126787*
M 16 x 1.5 x 50	50	126788*
M 16 x 1.5 x 60	50	126789*
M 16 x 1.5 x 70	50	126790*
M 16 x 1.5 x 80	25	126791*
M 16 x 1.5 x 90	25	126792*
M 16 x 1.5 x 100	25	126793*
M 18 x 1.5 x 50	50	126794*
M 18 x 1.5 x 55	25	126795*
M 18 x 1.5 x 60	25	920495*
M 18 x 1.5 x 70	25	126796*
M 18 x 1.5 x 80	25	126797*
M 20 x 1.5 x 30	50	126798*
M 20 x 1.5 x 35	50	126799*
M 20 x 1.5 x 40	50	920496*

DIN 961, fine thread, hexagon head, steel 8.8, zinc plated		
Dimensions	PU Piece	Article No.
M 20 x 1.5 x 45	50	920497*
M 20 x 1.5 x 50	25	920498*
M 20 x 1.5 x 55	25	126800*
M 20 x 1.5 x 60	25	920499*
M 20 x 1.5 x 70	25	126801*
M 20 x 1.5 x 80	25	126802*
M 20 x 1.5 x 90	25	126803*
M 20 x 1.5 x 100	25	126804*
M 20 x 1.5 x 110	10	126805*
M 24 x 1.5 x 50	25	126806*
M 24 x 1.5 x 60	25	126807*
M 24 x 1.5 x 80	25	126808*
M 24 x 1.5 x 90	25	126809*
M 24 x 1.5 x 100	25	126810*

* = The delivery time is 10 days
AGR: 00.133

DIN 961, fine thread, hexagon head, steel 8.8, yellow zinc plated



1

Hints

- Ø M10 are supplied according to DIN 961
- DIN-ISO Difference in width across flats:
M10: DIN=17
- ISO=16

Title	Thread	Drive	PU Piece	Article No.
Hexagon head screw	M 8 x 30	6KT 13	100	196096*
Hexagon head screw	M 10 x 20	6KT 17	100	117021*
Hexagon head screw	M 10 x 25	6KT 17	100	117048*
Hexagon head screw	M 10 x 30	6KT 17	100	117102*
Hexagon head screw	M 10 x 35	6KT 17	100	115410*
Hexagon head screw	M 10 x 40	6KT 17	100	115460*
Hexagon head screw	M 10 x 50	6KT 17	100	116971*

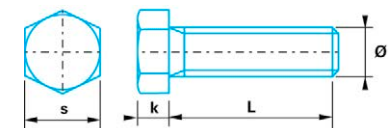
* = The delivery time is 30 days

AGR: 00.135

DIN 961, fine thread, hexagon head, steel 8.8, plain

Characteristics

- Hexagonal steel 8.8 blank



Metric and inch screws

1

Thread	M 10	M 10	M 12	M 12	M 14
Thread Pitch mm	1.25 mm	1 mm	1.5 mm	1.25 mm	1.5 mm
Height Of Head (k)	6.4 mm	6.4 mm	7.5 mm	7.5 mm	8.8 mm
Wrench Width	17 mm	17 mm	19 mm	19 mm	22 mm
Thread	M 16	M 18			
Thread Pitch mm	1.5 mm	1.5 mm			
Height Of Head (k)	10 mm	11.5 mm			
Wrench Width	24 mm	27 mm			

DIN 961, fine thread, hexagon head, steel 8.8, plain		
Dimensions	PU Piece	Article No.
M 10 x 1 x 30	100	096717
M 10 x 1.25 x 20	100	833835
M 10 x 1.25 x 25	100	833842
M 10 x 1.25 x 30	100	833859
M 12 x 1.25 x 40	100	876405
M 12 x 1.5 x 30	100	096768

DIN 961, fine thread, hexagon head, steel 8.8, plain		
Dimensions	PU Piece	Article No.
M 12 x 1.5 x 35	100	096776
M 12 x 1.5 x 40	100	096784
M 12 x 1.5 x 45	50	096792
M 14 x 1.5 x 30	50	096865
M 14 x 1.5 x 35	50	096873
M 14 x 1.5 x 40	50	096881

DIN 961, fine thread, hexagon head, steel 8.8, plain		
Dimensions	PU Piece	Article No.
M 14 x 1.5 x 50	50	096903
M 16 x 1.5 x 45	50	097004
M 16 x 1.5 x 50	50	010155
M 18 x 1.5 x 50	50	097047

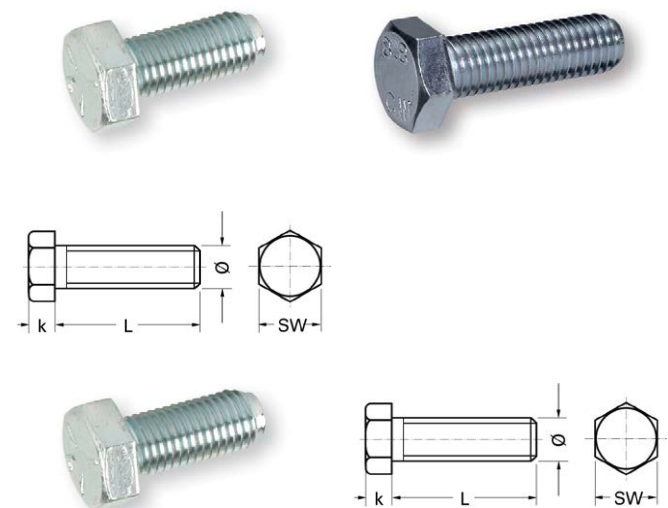
AGR: 00.131

DIN 961, fine thread, hexagon head, steel 10.9, zinc plated

- Electroplated version: Quality 10.9
- Hexagon set screw with metric fine thread

Hints

- Ø M10, M12 and M14 are supplied according to DIN 961
- DIN-ISO Difference in width across flats:
 - M10: DIN=17
 - ISO=16
 - M12: DIN=19
 - ISO=18
 - M14: DIN=22
 - ISO=21



INTERNAL/Approved (2019-03-22 12:54:07)

- Risk of hydrogen embrittlement: In galvanic coatings on high strength parts with a tensile strength of 1000 N / mm² (eg, 10.9, 12.9) and springy Share with hardness of 320 HV, the risk of hydrogen embrittlement (brittle fracture) can not be excluded with certainty - see technical information

1

Thread	M 8	M 10	M 10	M 12	M 12
Thread Pitch mm	1 mm	1 mm	1.25 mm	1.5 mm	1.25 mm
Height Of Head (k)	5.3 mm	6.4 mm	6.4 mm	7.5 mm	7.5 mm
Wrench Width	13 mm	17 mm	17 mm	19 mm	19 mm
Thread	M 14	M 16	M 20		
Thread Pitch mm	1.5 mm	1.5 mm	1.5 mm		
Height Of Head (k)	8.8 mm	10 mm	12.5 mm		
Wrench Width	22 mm	24 mm	30 mm		

DIN 961, fine thread, hexagon head, steel 10.9, zinc plated			DIN 961, fine thread, hexagon head, steel 10.9, zinc plated			DIN 961, fine thread, hexagon head, steel 10.9, zinc plated		
Dimensions	PU Piece	Article No.	Dimensions	PU Piece	Article No.	Dimensions	PU Piece	Article No.
M 8 x 1 x 20	200	126811*	M 12 x 1.5 x 55	100	126827*	M 16 x 1.5 x 30	50	126845*
M 8 x 1 x 25	200	126812*	M 12 x 1.5 x 60	100	126828*	M 16 x 1.5 x 35	50	126846*
M 8 x 1 x 30	200	126813*	M 12 x 1.5 x 70	100	126829*	M 16 x 1.5 x 40	50	126847*
M 8 x 1 x 35	200	126814*	M 12 x 1.5 x 80	200	126830*	M 16 x 1.5 x 45	50	126848*
M 10 x 1 x 20	200	126815*	M 14 x 1.5 x 25	100	126831*	M 16 x 1.5 x 50	50	126849*
M 10 x 1 x 30	200	126816*	M 14 x 1.5 x 30	100	126832*	M 16 x 1.5 x 55	50	126850*
M 10 x 1 x 35	100	126817*	M 14 x 1.5 x 35	100	126833*	M 16 x 1.5 x 60	50	126851*
M 10 x 1 x 40	100	126818*	M 14 x 1.5 x 40	100	126834*	M 16 x 1.5 x 70	25	126852*
M 10 x 1.25 x 30	200	126819*	M 14 x 1.5 x 45	50	126835	M 16 x 1.5 x 80	25	126853*
M 12 x 1.25 x 35	200	126820*	M 14 x 1.5 x 50	50	126836*	M 16 x 1.5 x 90	25	126854*
M 12 x 1.25 x 40	100	126821*	M 14 x 1.5 x 55	50	126838*	M 20 x 1.5 x 40	25	107193*
M 12 x 1.5 x 30	100	126822*	M 14 x 1.5 x 60	50	126839*	M 20 x 1.5 x 45	25	126856*
M 12 x 1.5 x 35	100	126823*	M 14 x 1.5 x 65	50	126841*	M 20 x 1.5 x 50	25	126857*
M 12 x 1.5 x 40	100	126824*	M 14 x 1.5 x 70	50	126842*	M 20 x 1.5 x 55	25	126858*
M 12 x 1.5 x 45	100	126825*	M 14 x 1.5 x 80	50	126843*	M 20 x 1.5 x 60	25	126859*
M 12 x 1.5 x 50	100	126826*	M 16 x 1.5 x 25	50	126844*			

* = The delivery time is 30 days
AGR: 00.139

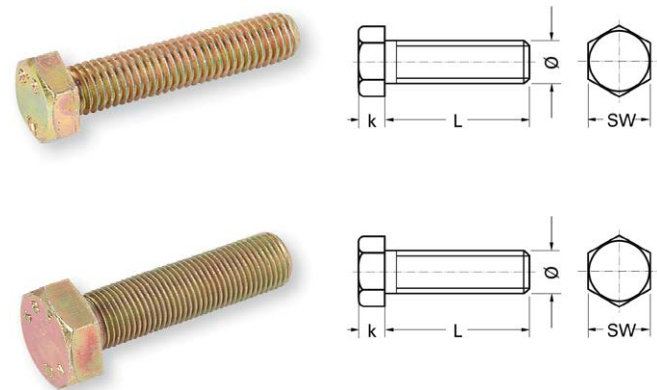
INTERNAL/Approved (2019-03-22 12:54:21)

1 DIN 961, fine thread, hexagon head, steel 10.9, yellow zinc plated

- Yellow passivated finish: 10.9 Quality
- Hexagon set screw with metric fine thread

Hints

- Ø M10, M12 and M14 are supplied according to DIN 961
- DIN-ISO Difference in width across flats:
 - M10: DIN=17
 - ISO=16
 - M12: DIN=19
 - ISO=18
 - M14: DIN=22
 - ISO=21
- Risk of hydrogen embrittlement: In galvanic coatings on high strength parts with a tensile strength of 1000 N / mm² (eg, 10.9, 12.9) and springy Share with hardness of 320 HV, the risk of hydrogen embrittlement (brittle fracture) can not be excluded with certainty - see technical information



Thread	M 10	M 12	M 14	M 16	M 18
Thread Pitch mm	1 mm	1.5 mm	1.5 mm	1.5 mm	1.5 mm
Height Of Head (k)	6.4 mm	7.5 mm	8.8 mm	10 mm	11.5 mm
Wrench Width	17 mm	19 mm	22 mm	24 mm	27 mm

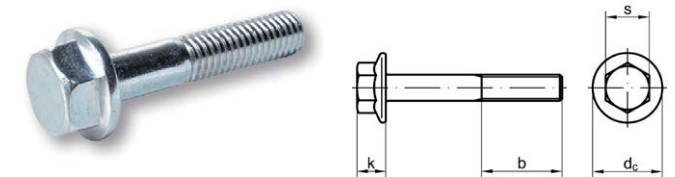
DIN 961, fine thread, hexagon head, steel 10.9, yellow zinc plated		
Dimensions	PU Piece	Article No.
M 10 x 1 x 25	100	403890*
M 10 x 1 x 30	100	403903*
M 10 x 1 x 40	100	403911*
M 12 x 1.5 x 30	100	403920*
M 12 x 1.5 x 35	100	403938*
M 12 x 1.5 x 40	100	403946*
M 12 x 1.5 x 45	25	835323*
M 12 x 1.5 x 50	25	161741*
M 12 x 1.5 x 60	25	161742*

DIN 961, fine thread, hexagon head, steel 10.9, yellow zinc plated		
Dimensions	PU Piece	Article No.
M 14 x 1.5 x 30	50	403954*
M 14 x 1.5 x 35	50	403962*
M 14 x 1.5 x 40	50	403970*
M 14 x 1.5 x 45	50	403989*
M 14 x 1.5 x 50	50	403997*
M 14 x 1.5 x 60	25	161743*
M 14 x 1.5 x 70	25	161744*
M 14 x 1.5 x 80	25	161745*
M 16 x 1.5 x 30	25	404004*

DIN 961, fine thread, hexagon head, steel 10.9, yellow zinc plated		
Dimensions	PU Piece	Article No.
M 16 x 1.5 x 40	25	409480*
M 16 x 1.5 x 45	25	409499*
M 16 x 1.5 x 60	10	161746*
M 16 x 1.5 x 70	10	161747*
M 18 x 1.5 x 40	10	934021*
M 18 x 1.5 x 50	10	934022*

* = The delivery time is 30 days
AGR: 00.139

DIN 6921, hexagon head with flange, steel 8.8, zinc plated



1

Hints

- ~ EN 1665
DIN-EN Differences see table

Thread	M 6	M 8	M 10	M 12	M 16
Thread Pitch mm	1 mm	1.25 mm	1.5 mm	1.75 mm	2 mm
Ø collar	14.2 mm	18 mm	22.3 mm	26.6 mm	35 mm
Height Of Head (k)	6.6 mm	8.1 mm	9.2 mm	11.5 mm	14.4 mm
Wrench Width	10 mm	13 mm	15 mm	16 mm	21 mm

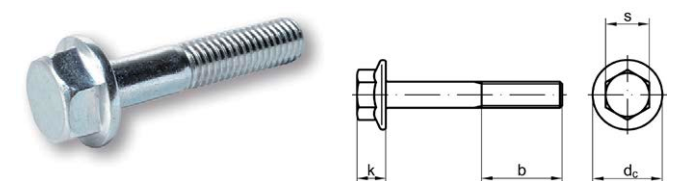
DIN 6921, hexagon head with flange, steel 8.8, zinc plated		
Dimensions	PU Piece	Article No.
x	200	127875*
x	200	127876*
x	200	127877*
x	100	127878*
x	100	127879*
x	100	127880*
x	100	127881*
x	100	127882*
x	100	127883*
x	100	127884*
x	100	127885*
x	50	127886*

DIN 6921, hexagon head with flange, steel 8.8, zinc plated		
Dimensions	PU Piece	Article No.
x	50	127887*
x	50	127888*
x	50	127889*
x	50	127890*
x	50	127891*
x	50	127892*
x	50	127893*
x	25	127894*
x	500	127862*
x	500	127863*
x	500	127864*
x	500	127865*

DIN 6921, hexagon head with flange, steel 8.8, zinc plated		
Dimensions	PU Piece	Article No.
x	200	127866*
x	200	127867*
x	200	127868*
x	200	127869*
x	200	127870*
x	200	127871*
x	200	127872*
x	200	127873*
x	200	127874*

* = The delivery time is 10 days
AGR: 00.153

DIN 6921, hexagon head with flange, steel 10.9, zinc plated



Hints

- ~ EN 1665
DIN-EN Differences see table

INTERNAL/Approved (2019-03-22 12:54:55)

Metric and inch screws

1

- Risk of hydrogen embrittlement: In galvanic coatings on high strength parts with a tensile strength of 1000 N / mm² (e.g: 10.9, 12.9) and springy Share with hardness of 320 HV, the risk of hydrogen embrittlement (brittle fracture) can not be excluded with certainty - see technical information

Thread	M 5	M 6	M 8	M 10	M 12
Thread Pitch mm	0.8 mm	1 mm	1.25 mm	1.5 mm	1.75 mm
Ø collar	11.58 mm	14.2 mm	18 mm	22.3 mm	26.6 mm
Height Of Head (k)	5.4 mm	6.6 mm	8.1 mm	9.2 mm	11.5 mm
Wrench Width	8 mm	10 mm	13 mm	15 mm	16 mm
Thread	M 16				
Thread Pitch mm	2 mm				
Ø collar	35 mm				
Height Of Head (k)	14.4 mm				
Wrench Width	21 mm				

DIN 6921, hexagon head with flange, steel 10.9, zinc plated		
Dimensions	PU Piece	Article No.
x	200	127912*
x	200	127913*
x	200	127915*
x	200	127916*
x	100	127917*
x	100	127918*
x	100	127919*
x	100	127920*
x	100	127921*
x	100	127923*
x	100	127924*
x	100	127925*
x	100	127926*

DIN 6921, hexagon head with flange, steel 10.9, zinc plated		
Dimensions	PU Piece	Article No.
x	100	127927*
x	50	127928*
x	50	127929*
x	50	127930*
x	50	127931*
x	50	127932*
x	50	127933*
x	25	127934*
x	500	127899*
x	500	127900*
x	500	127901*
x	500	127902*
x	500	127903*

DIN 6921, hexagon head with flange, steel 10.9, zinc plated		
Dimensions	PU Piece	Article No.
x	200	127904*
x	200	127905*
x	200	127906*
x	200	127907*
x	200	127908*
x	200	127909*
x	200	127910*
x	200	127911*
x	500	127895*
x	500	127896*
x	500	127897*
x	500	127898*

* = The delivery time is 10 days
AGR: 00.153

INTERNAL/Approved (2019-03-22 12:55:11)

Serrated screws, hexagon head with flange, steel 8.8/90/100, zinc plated

- M5 - M6 - M8 - M10 Quality = 8.8 (~ Class 90)
- M12 and M16 Class = 100 (~ Quality 10.9)

Application Area

- Securing of screw connections which are loaded dynamically in the axial direction or vertically to the screw axis

Characteristics

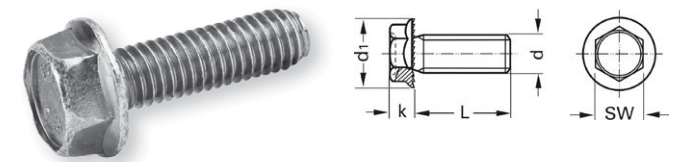
- Ø M 5, article 127379 (M6x14), article 151 157 (M10x16) = strength class 90, surface hardened
- Ø M 12/16 = strength class 100, surface hardened
- All other Ø = strength class 8.8

Processing Information

- The use of spring washers, serrated washers or wave washers is not necessary since ratchets secure the support of the bolting
- The security element and the screw are made from one piece
- The ratchets block the internal starting torque in starting direction

Hints

- For strength class 100: risk of hydrogen embrittlement
- For galvanic coatings on high-strength parts with a tensile strength of 1000 N/mm² (e. g. 10.9, 12.9) and spring-hard parts with a hardness from 320 HV, the risk of hydrogen embrittlement (brittle fracture) can not be excluded with certainty - see technical information



INTERNAL/Approved (2019-03-22 12:55:48)

Thread	M 5	M 6	M 8	M 10	M 12
Thread Pitch mm	0.8 mm	1 mm	1.25 mm	1.5 mm	1.75 mm
Ø collar	11.2 mm	13.6 mm	17 mm	20.8 mm	24 mm
Height Of Head (k)	4.3 mm	6.6 mm	8.1 mm	9.2 mm	8.7 mm
Wrench Width	8 mm	10 mm	13 mm	15 mm	17 mm
Thread	M 16				
Thread Pitch mm	2 mm				
Ø collar	31 mm				
Height Of Head (k)	11.2 mm				
Wrench Width	22 mm				

Metric and inch screws

1

Serrated screws, hexagon head with flange, steel 8.8/90/100, zinc plated		
Dimensions	PU Piece	Article No.
M 5 x 8	500	127376*
M 5 x 10	500	127377*
M 5 x 12	500	151190*
M 5 x 16	500	151199*
M 5 x 20	500	127378*
M 6 x 10	100	052643
M 6 x 12	100	052644
M 6 x 16	100	052645
M 6 x 20	100	052646
M 6 x 25	100	052647
M 6 x 30	100	052648
M 8 x 12	100	052649
M 8 x 16	100	052650

Serrated screws, hexagon head with flange, steel 8.8/90/100, zinc plated		
Dimensions	PU Piece	Article No.
M 8 x 20	100	052651
M 8 x 25	100	052652
M 8 x 30	100	052653
M 8 x 35	100	052654*
M 8 x 40	50	052655
M 10 x 16	200	151157*
M 10 x 20	50	052657
M 10 x 25	50	052658
M 10 x 30	50	052659
M 10 x 35	50	052660
M 10 x 40	50	052661*
M 10 x 50	50	052662*
M 12 x 20	100	127380*

Serrated screws, hexagon head with flange, steel 8.8/90/100, zinc plated		
Dimensions	PU Piece	Article No.
M 12 x 25	100	127381*
M 12 x 30	100	127382*
M 12 x 35	100	127383*
M 12 x 40	100	127384*
M 12 x 45	100	127385*
M 16 x 25	50	127387*
M 16 x 30	50	127389*
M 16 x 35	50	127390*
M 16 x 40	50	127391*
x	100	127386*
x	500	127379*

* = The delivery time is 10 days
AGR: 00.195

Ribbed screws, hexagon head with flange, steel 100, zinc plated

- Material surface is hardly damaged because of rounded safety ribs

Application Area

- For screw connections which are exposed to permanently dynamic loads such as vibrations
- For the use where access is difficult, as the locking effect of the screw makes the connection of the respective parts much easier than traditional hexagon screws

Characteristics

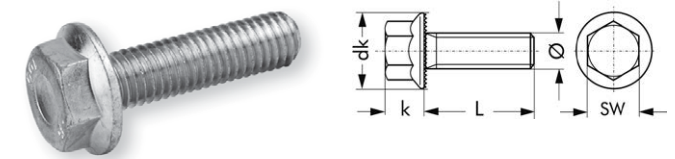
- Surface-hardened

Processing Information

- Securing the clamped parts by deformation

Hints

- The screws can be delivered in partial thread and full thread, depending on the manufacturer
- Risk of hydrogen embrittlement: for galvanic coatings on high strength parts with a tensile strength of 1000 N/mm² (eg, 10.9, 12.9) and spring-hard parts with a hardness of 320 HV, the risk of hydrogen embrittlement (brittle fracture) can not be excluded with certainty - see technical information



Thread	M 5	M 6	M 8	M 10	M 12
Thread Pitch mm	0.8 mm	1 mm	1.25 mm	1.5 mm	1.75 mm
Ø collar	11.2 mm	14.2 mm	18.2 mm	21 mm	24 mm
Height Of Head (k)	4.3 mm	5.5 mm	7 mm	8.5 mm	10 mm
Wrench Width	8 mm	10 mm	13 mm	15 mm	17 mm
Thread	M 16				
Thread Pitch mm	2 mm				
Ø collar	31 mm				
Height Of Head (k)	14 mm				
Wrench Width	22 mm				

INTERNAL/Approved (2019-03-22 12:56:08)

1

Ribbed screws, hexagon head with flange, steel 100, zinc plated

Dimensions	PU Piece	Article No.
M 12 x 35	100	127426*
x	200	127410*
x	200	127411*
x	200	127418*
x	200	127419*
x	100	127420*
x	100	127421*
x	100	127422*
x	100	127423*
x	100	127424*
x	100	127425*
x	100	127427*
x	100	127428*
x	100	127429*

Ribbed screws, hexagon head with flange, steel 100, zinc plated

Dimensions	PU Piece	Article No.
x	100	127430*
x	50	127431*
x	50	127432*
x	50	127433*
x	50	127434*
x	50	127435*
x	50	127436*
x	50	127437*
x	50	127438*
x	50	127439*
x	500	127392*
x	500	127393*
x	500	127394*
x	500	127395*

Ribbed screws, hexagon head with flange, steel 100, zinc plated

Dimensions	PU Piece	Article No.
x	500	127397*
x	500	127398*
x	500	127399*
x	500	127401*
x	500	127402*
x	500	127403*
x	200	127404*
x	200	127405*
x	200	127406*
x	200	127407*
x	200	127408*
x	200	127409*

* = The delivery time is 10 days
AGR: 00.193

Ribbed screws, hexagon head with flange, steel 100, yellow zinc plated

- Material surface is hardly damaged because of rounded safety ribs

Application Area

- For screw connections which are exposed to permanently dynamic loads such as vibrations
- For the use where access is difficult, as the locking effect of the screw makes the connection of the respective parts much easier than traditional hexagon screws

Characteristics

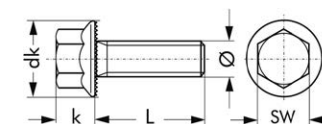
- Surface-hardened

Processing Information

- Securing the clamped parts by deformation

Hints

- The screws can be delivered in partial thread and full thread, depending on the manufacturer



- Risk of hydrogen embrittlement: for galvanic coatings on high strength parts with a tensile strength of 1000 N/mm² (eg, 10.9, 12.9) and spring-hard parts with a hardness of 320 HV, the risk of hydrogen embrittlement (brittle fracture) can not be excluded with certainty - see technical information

Thread	M 5	M 6	M 8	M 10	M 12
Thread Pitch mm	0.8 mm	1 mm	1.25 mm	1.5 mm	1.75 mm
Ø collar	11.2 mm	14.2 mm	18.2 mm	21 mm	24 mm
Height Of Head (k)	4.3 mm	5.5 mm	7 mm	8.5 mm	10 mm
Wrench Width	8 mm	10 mm	13 mm	15 mm	17 mm
Thread	M 16				
Thread Pitch mm	2 mm				
Ø collar	31 mm				
Height Of Head (k)	14 mm				
Wrench Width	22 mm				

Ribbed screws, hexagon head with flange, steel 100, yellow zinc plated		
Dimensions	PU Piece	Article No.
M 5 x 20	100	161976*
M 6 x 10	100	161978*
M 6 x 12	100	161979*
M 6 x 16	100	161981*
M 6 x 20	100	161983*
M 6 x 30	100	161986*
M 8 x 12	100	161987*
M 8 x 16	100	161989*
M 8 x 20	100	161991*
M 8 x 25	100	161994*

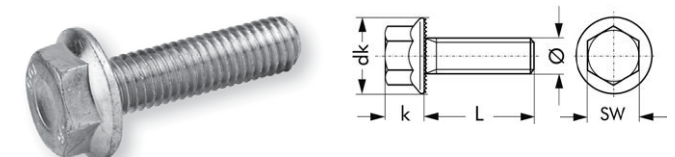
Ribbed screws, hexagon head with flange, steel 100, yellow zinc plated		
Dimensions	PU Piece	Article No.
M 8 x 30	100	161995*
M 8 x 35	100	161996*
M 8 x 40	100	161997*
M 10 x 16	100	161998*
M 10 x 20	100	162001*
M 10 x 25	100	162003*
M 10 x 30	100	162004*
M 10 x 35	100	162005*
M 10 x 40	100	162006*
M 12 x 25	100	162008*

Ribbed screws, hexagon head with flange, steel 100, yellow zinc plated		
Dimensions	PU Piece	Article No.
M 12 x 30	100	162009*
M 12 x 40	100	162011*
M 12 x 45	100	162012*
M 12 x 50	100	162013*
M 16 x 40	50	162017*
M 16 x 50	50	162020*
M 16 x 70	50	162023*

* = The delivery time is 30 days
AGR: 00.193

Ribbed screws, fine thread, hexagon head with flange, steel 100, zinc plated

- High withstand values of the screw connection because of a metric fine thread



INTERNAL/Approved (2019-03-22 12:56:28)

Metric and inch screws

1

- Material surface is hardly damaged because of rounded safety ribs

Application Area

- For screw connections which are exposed to permanently dynamic loads such as vibrations
- For the use where access is difficult, as the locking effect of the screw makes the connection of the respective parts much easier than traditional hexagon screws

Characteristics

- Surface-hardened

Processing Information

- Securing of the clamped parts by deformation

Hints

- The screws can be delivered in partial thread and full thread, depending on the manufacturer
- Risk of hydrogen embrittlement: for galvanic coatings on high strength parts with a tensile strength of 1000 N/mm² (eg, 10.9, 12.9) and spring-hard parts with a hardness of 320 HV, the risk of hydrogen embrittlement (brittle fracture) can not be excluded with certainty - see technical information

Thread	M 12	M 14	M 16
Thread Pitch mm	1.5 mm	1.5 mm	1.5 mm
Height Of Head (k)	10 mm	12 mm	14 mm
Wrench Width	17 mm	19 mm	22 mm

Ribbed screws, fine thread, hexagon head with flange, steel 100, zinc plated		
Dimensions	PU Piece	Article No.
M 12 x 1.5 x 30	50	052624*
M 12 x 1.5 x 40	50	052625*
M 12 x 1.5 x 50	50	052626*
M 14 x 1.5 x 30	50	052627
M 14 x 1.5 x 35	50	052628

Ribbed screws, fine thread, hexagon head with flange, steel 100, zinc plated		
Dimensions	PU Piece	Article No.
M 14 x 1.5 x 40	50	052629
M 14 x 1.5 x 45	50	052630
M 14 x 1.5 x 50	50	052631
M 14 x 1.5 x 60	25	052633
M 16 x 1.5 x 35	50	052634*

Ribbed screws, fine thread, hexagon head with flange, steel 100, zinc plated		
Dimensions	PU Piece	Article No.
M 16 x 1.5 x 40	50	052635
M 16 x 1.5 x 45	50	052636
M 16 x 1.5 x 50	25	052637*
M 16 x 1.5 x 60	25	052639

* = The delivery time is 30 days
AGR: 00.193

Ribbed screws, fine thread, hexagon head with flange, steel 100, yellow zinc plated

- High withstand values of the screw connection because of a metric fine thread
- Material surface is hardly damaged because of rounded safety ribs

Application Area

- For screw connections which are exposed to permanently dynamic loads such as vibrations
- For the use where access is difficult, as the locking effect of the screw makes the connection of the respective parts much easier than traditional hexagon screws

Characteristics

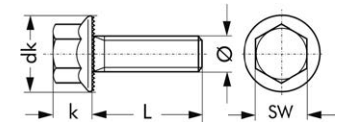
- Surface-hardened

Processing Information

- Securing of the clamped parts by deformation

Hints

- The screws can be delivered in partial thread and full thread, depending on the manufacturer
- Risk of hydrogen embrittlement: for galvanic coatings on high strength parts with a tensile strength of 1000 N/mm² (eg, 10.9, 12.9) and spring-hard parts with a hardness of 320 HV, the risk of hydrogen embrittlement (brittle fracture) can not be excluded with certainty - see technical information



INTERNAL/Approved (2019-03-22 12:56:54)

Thread	M 12
Thread Pitch mm	1.5 mm
Height Of Head (k)	10 mm
Wrench Width	17 mm

Ribbed screws, fine thread, hexagon head with flange, steel 100, yellow zinc plated		
Dimensions	PU Piece	Article No.
M 12 x 1.5 x 30	25	047156*
M 12 x 1.5 x 35	25	047157*
M 12 x 1.5 x 40	25	047158*

Ribbed screws, fine thread, hexagon head with flange, steel 100, yellow zinc plated		
Dimensions	PU Piece	Article No.
M 12 x 1.5 x 45	25	047159*
M 12 x 1.5 x 50	25	047160*
M 12 x 1.5 x 55	25	047161*

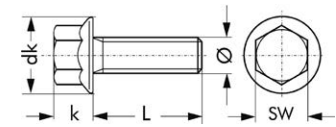
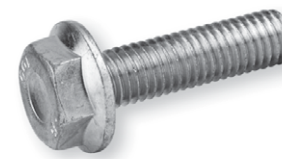
Ribbed screws, fine thread, hexagon head with flange, steel 100, yellow zinc plated		
Dimensions	PU Piece	Article No.
M 12 x 1.5 x 60	25	047162*

* = The delivery time is 30 days
AGR: 00.193

1

MBN 10105, fine thread, hexagon head with flange, steel 10.9, zinc flake coating

- For application on trucks that are subject to heavy loads and vibrations
- Especially for Mercedes-Benz trucks (eg. Actros, Axor, Atego, Econic)
- Equipped with durable and chrome-free surface protection (zinc lamella coating)
- Surface protection conforms Geomet® 321 VL
- Quality 10.9 with metric fine thread. M10 is equipped with metric coarse threads



Application Area

- Setting screws particularly suitable for all Mercedes-Benz commercial vehicles (for example, Actros, Axor, Atego, Econic)

Characteristics

- Special surface protection according to DBL 9440.40 and 9440.89 (zinc disc coating with transparent or green lubricant), therefore, high corrosion resistance of 720 h

Hints

- Screws with Ø M10 have standard threads
- Screws from and including 90 mm length have a partial thread = shape C
- Mercedes-Benz specification: DBL 9440.40

Thread	M 10	M 12	M 14	M 16
Thread Pitch mm	1.5 mm	1.5 mm	1.5 mm	1.5 mm
Height Of Head (k)	9.2 mm	11.5 mm	12.8 mm	14.4 mm
Wrench Width	16 mm	18 mm	21 mm	24 mm

MBN 10105, fine thread, hexagon head with flange, steel 10.9, zinc flake coating		
Dimensions	PU Piece	Article No.
M 10 x 1.5 x 25	100	127604*
M 10 x 1.5 x 30	100	127605*
M 10 x 1.5 x 40	100	127606*

MBN 10105, fine thread, hexagon head with flange, steel 10.9, zinc flake coating		
Dimensions	PU Piece	Article No.
M 12 x 1.5 x 35	100	127607*
M 12 x 1.5 x 40	100	127608
M 12 x 1.5 x 45	100	127609*

MBN 10105, fine thread, hexagon head with flange, steel 10.9, zinc flake coating		
Dimensions	PU Piece	Article No.
M 12 x 1.5 x 50	100	127610*
M 12 x 1.5 x 60	100	127611*
M 12 x 1.5 x 90	100	127612*

INTERNAL/Approved (2019-03-22 12:56:57)

Metric and inch screws

MBN 10105, fine thread, hexagon head with flange, steel 10.9, zinc flake coating		
Dimensions	PU Piece	Article No.
M 14 x 1.5 x 30	50	127613*
M 14 x 1.5 x 35	50	127614*
M 14 x 1.5 x 40	50	127615
M 14 x 1.5 x 45	50	127616
M 14 x 1.5 x 50	50	127617
M 14 x 1.5 x 55	50	127618*

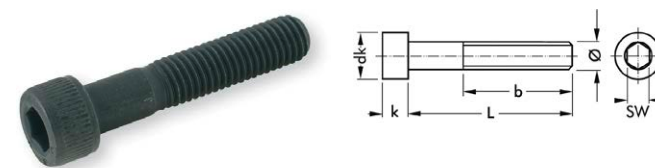
MBN 10105, fine thread, hexagon head with flange, steel 10.9, zinc flake coating		
Dimensions	PU Piece	Article No.
M 14 x 1.5 x 60	50	127619*
M 14 x 1.5 x 70	50	185933
M 14 x 1.5 x 80	50	127620*
M 14 x 1.5 x 90	50	127621*
M 16 x 1.5 x 40	50	127622*
M 16 x 1.5 x 45	50	127623*

MBN 10105, fine thread, hexagon head with flange, steel 10.9, zinc flake coating		
Dimensions	PU Piece	Article No.
M 16 x 1.5 x 50	50	127624*
M 16 x 1.5 x 55	50	127625*
M 16 x 1.5 x 60	50	127626*

* = The delivery time is 10 days
 AGR: 00.152

1

DIN 912, cylinder head, internal hexagon, steel 8.8, plain



Thread	M 6	M 8	M 10	M 12	M 16
Thread Pitch mm	1 mm	1.25 mm	1.5 mm	1.75 mm	2 mm
Ø head	10 mm	13 mm	16 mm	18 mm	24 mm
Height Of Head (k)	6 mm	8 mm	10 mm	12 mm	16 mm
Drive	I6KT 5	I6KT 6	I6KT 8	I6KT 10	I6KT 14
Thread	M 20				
Thread Pitch mm	2.5 mm				
Ø head	30 mm				
Height Of Head (k)	20 mm				
Drive	I6KT 17				

DIN 912, cylinder head, internal hexagon, steel 8.8, plain

Dimensions	PU Piece	Article No.
M 6 x 10	500	817150*
M 6 x 12	500	142727*
M 6 x 16	500	817152*
M 6 x 20	500	817154*
M 6 x 30	500	817157*
M 6 x 50	200	817161*
M 6 x 60	200	102652*
M 8 x 16	200	817179
M 8 x 20	200	817181
M 8 x 25	200	817183*
M 8 x 30	200	817184*
M 8 x 35	200	817185*
M 8 x 40	200	817186
M 8 x 50	200	817188*
M 8 x 60	200	817190*
M 10 x 16	200	817207

DIN 912, cylinder head, internal hexagon, steel 8.8, plain

Dimensions	PU Piece	Article No.
M 10 x 20	200	817209
M 10 x 25	200	817211*
M 10 x 30	200	817212*
M 10 x 35	100	817213*
M 10 x 40	100	817214*
M 10 x 45	100	817215*
M 10 x 50	100	817216*
M 10 x 80	100	533297*
M 12 x 20	100	817227*
M 12 x 25	100	817229*
M 12 x 30	100	817230*
M 12 x 35	100	817231*
M 12 x 40	100	817232*
M 12 x 45	100	024613*
M 12 x 50	100	817234*
M 12 x 60	100	817236

DIN 912, cylinder head, internal hexagon, steel 8.8, plain

Dimensions	PU Piece	Article No.
M 12 x 70	50	817238*
M 12 x 80	50	817240*
M 16 x 40	50	101478*
M 16 x 45	50	817285*
M 16 x 50	50	101494*
M 16 x 60	50	101516*
M 16 x 70	25	101524*
M 16 x 80	25	101532*
M 20 x 50	25	404039*
M 20 x 60	25	404047*
M 20 x 70	25	404055*
M 20 x 80	25	404063*
x	50	024615*
x	50	817282*
x	50	024620*
x	50	024666*

INTERNAL/Approved (2019-03-22 12:57:20)

DIN 912, cylinder head, internal hexagon, steel 8.8, plain		
Dimensions	PU Piece	Article No.
x	25	024667*
x	25	404071*

DIN 912, cylinder head, internal hexagon, steel 8.8, plain		
Dimensions	PU Piece	Article No.
x	200	532649*
x	200	817189

* = The delivery time is 10 days
AGR: 00.210

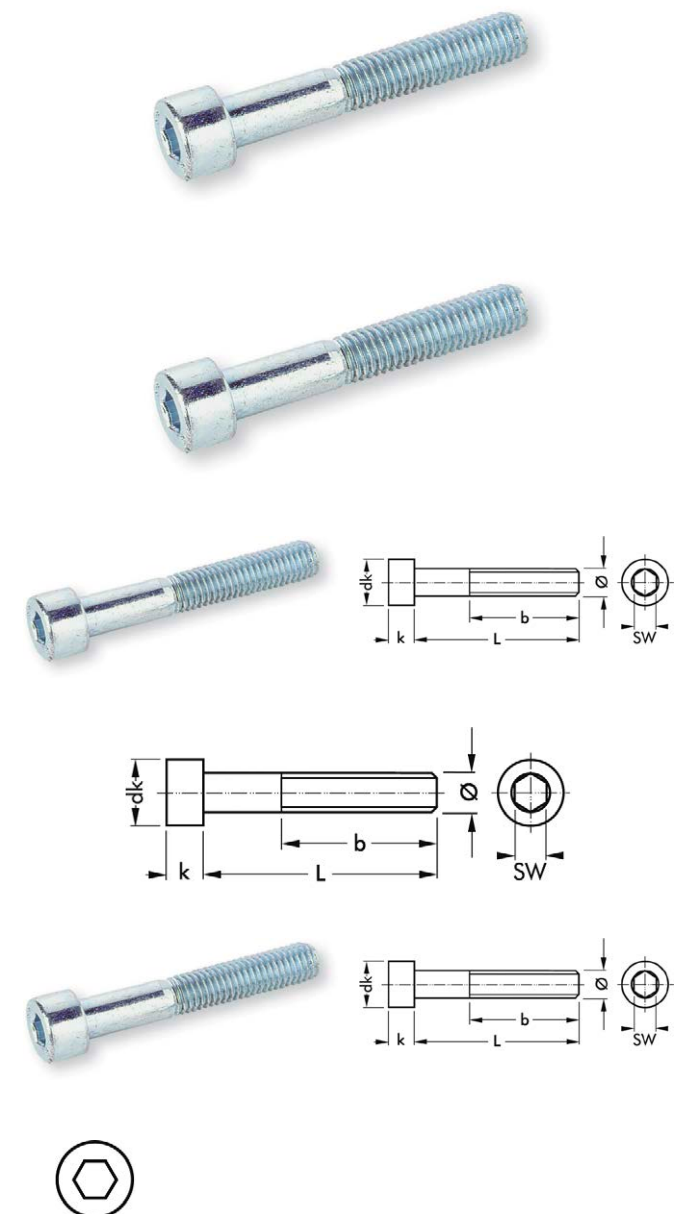
1

DIN 912, cylinder head, internal hexagon, steel 8.8, zinc plated

- Electroplated version: Quality 8.8
- Cylinder head with hexagon and metric thread

Hints

- Ø M18 and M27 are not provided in the ISO 4762, it is supplied according to DIN 912 ausgeliefert



Metric and inch screws

1

Thread	M 3	M 4	M 5	M 6	M 8
Thread Pitch mm	0.5 mm	0.7 mm	0.8 mm	1 mm	1.25 mm
Ø head	5.5 mm	7 mm	8.5 mm	10 mm	13 mm
Height Of Head (k)	3 mm	4 mm	5 mm	6 mm	8 mm
Drive	I6KT 2.5	I6KT 3	I6KT 4	I6KT 5	I6KT 6
Thread	M 10	M 12	M 14	M 16	M 18
Thread Pitch mm	1.5 mm	1.75 mm	2 mm	2 mm	2.5 mm
Ø head	16 mm	18 mm	21 mm	24 mm	27 mm
Height Of Head (k)	10 mm	12 mm	14 mm	16 mm	18 mm
Drive	I6KT 8	I6KT 10	I6KT 12	I6KT 14	I6KT 14
Thread	M 20	M 24	M 27	M 30	M 36
Thread Pitch mm	2.5 mm	3 mm	3 mm	3.5 mm	4 mm
Ø head	30 mm	36 mm	40 mm	45 mm	54 mm
Height Of Head (k)	20 mm	24 mm	27 mm	30 mm	36 mm
Drive	I6KT 17	I6KT 19	I6KT 19	I6KT 22	I6KT 27
Thread	M 42				
Thread Pitch mm	4.5 mm				
Ø head	63 mm				
Height Of Head (k)	42 mm				
Drive	I6KT 32				

DIN 912, cylinder head, internal hexagon, steel 8.8, zinc plated

Dimensions	PU Piece	Article No.
M 4 x 8	200	099953*
M 4 x 10	200	099988
M 4 x 12	200	099996
M 4 x 16	200	100005
M 4 x 20	200	100021
M 4 x 25	200	100048*
M 4 x 30	200	100056*
M 4 x 35	200	930410*
M 4 x 40	200	100072*
M 4 x 50	200	930411*
M 4 x 60	200	120795*

DIN 912, cylinder head, internal hexagon, steel 8.8, zinc plated

Dimensions	PU Piece	Article No.
M 5 x 6	100	100102*
M 5 x 8	100	100110
M 5 x 10	100	100129
M 5 x 12	100	100137
M 5 x 16	100	100145
M 5 x 20	100	100161
M 5 x 25	100	100188
M 5 x 30	100	100196
M 5 x 35	100	100200*
M 5 x 40	100	100218
M 5 x 45	100	915985*

DIN 912, cylinder head, internal hexagon, steel 8.8, zinc plated

Dimensions	PU Piece	Article No.
M 5 x 50	100	100234
M 5 x 55	100	100242*
M 5 x 60	100	100250
M 5 x 70	100	120797*
M 5 x 80	200	120798*
M 5 x 95	200	124136*
M 6 x 6	100	124166*
M 6 x 8	100	100285
M 6 x 10	100	100293
M 6 x 12	100	100307
M 6 x 14	100	062647*

INTERNAL/Approved (2019-03-22 12:59:19)

Metric and inch screws

1

DIN 912, cylinder head, internal hexagon, steel 8.8, zinc plated		
Dimensions	PU Piece	Article No.
M 6 x 16	100	100315
M 6 x 18	100	100323*
M 6 x 20	100	100331
M 6 x 25	100	100358
M 6 x 30	100	100366
M 6 x 35	100	100374
M 6 x 40	100	100382
M 6 x 45	100	100390
M 6 x 50	100	100404
M 6 x 55	100	100412
M 6 x 60	100	100420
M 6 x 65	100	100439
M 6 x 70	100	100447
M 6 x 75	100	100471*
M 6 x 80	100	100455
M 6 x 90	50	100498*
M 6 x 100	50	100463*
M 6 x 110	100	051315*
M 8 x 10	100	100528
M 8 x 12	100	100480*
M 8 x 14	100	198013*
M 8 x 16	100	100536
M 8 x 18	100	100544*
M 8 x 20	100	100552
M 8 x 25	100	100579
M 8 x 30	100	100587
M 8 x 35	100	100595
M 8 x 40	100	100609
M 8 x 45	100	100617
M 8 x 50	100	100625
M 8 x 55	50	100633*

DIN 912, cylinder head, internal hexagon, steel 8.8, zinc plated		
Dimensions	PU Piece	Article No.
M 8 x 60	50	100641
M 8 x 65	50	100730*
M 8 x 70	50	100650
M 8 x 75	100	100714*
M 8 x 80	50	100668
M 8 x 90	50	100676
M 8 x 100	50	100684
M 8 x 110	100	100692*
M 8 x 120	50	100706*
M 8 x 130	100	100749*
M 8 x 150	25	051316*
M 10 x 16	100	100757
M 10 x 20	100	100773
M 10 x 25	100	100790
M 10 x 30	100	100803
M 10 x 35	100	100811
M 10 x 40	100	100820
M 10 x 45	100	100838
M 10 x 50	100	100846
M 10 x 55	50	100854*
M 10 x 60	50	100862
M 10 x 70	50	100889
M 10 x 80	50	100900
M 10 x 90	25	100919
M 10 x 100	25	100927
M 10 x 110	25	100935*
M 10 x 120	25	133055*
M 10 x 140	25	101419*
M 12 x 20	50	502545
M 12 x 25	50	100978
M 12 x 30	50	100986

DIN 912, cylinder head, internal hexagon, steel 8.8, zinc plated		
Dimensions	PU Piece	Article No.
M 12 x 35	50	100994
M 12 x 40	50	101001
M 12 x 45	50	915106*
M 12 x 50	50	101028
M 12 x 55	25	915108*
M 12 x 60	50	101044
M 12 x 65	25	024644*
M 12 x 70	50	101060
M 12 x 80	50	101087
M 12 x 90	25	938435*
M 12 x 100	25	833675
M 12 x 110	50	133056*
M 12 x 120	25	133057*
M 12 x 130	25	133058*
M 12 x 150	50	051318*
M 12 x 180	50	051319*
M 14 x 20	100	124290*
M 14 x 25	100	124291*
M 14 x 30	25	161654*
M 14 x 40	25	133061*
M 14 x 50	25	161655*
M 14 x 60	25	938399*
M 14 x 70	25	161656*
M 14 x 80	25	133062*
M 14 x 100	25	161658*
M 16 x 40	50	591475
M 16 x 45	50	051321*
M 16 x 50	50	591483
M 16 x 55	50	761923*
M 16 x 60	50	520322
M 16 x 70	50	849140

INTERNAL/Approved (2019-03-22 12:59:29)

Metric and inch screws

1

DIN 912, cylinder head, internal hexagon, steel 8.8, zinc plated

Dimensions	PU Piece	Article No.
M 16 x 80	50	849157
M 16 x 90	10	133063*
M 16 x 100	10	938426
M 16 x 110	25	051322*
M 16 x 120	10	133064*
M 16 x 130	25	051323*
M 16 x 140	10	161664*
M 16 x 150	25	160150*
M 16 x 180	25	161666*
M 20 x 50	10	051325*
M 20 x 60	10	161668*
M 20 x 70	10	161669*
M 20 x 80	10	161670*
M 20 x 90	10	161671*
M 20 x 100	25	161672*
M 20 x 110	25	051326*
M 20 x 130	10	051327*
M 20 x 150	25	051328*
M 24 x 50	25	161678*
M 24 x 70	5	161680*
M 24 x 80	5	161681*
M 24 x 90	10	161682*
M 24 x 100	10	161683*
M 24 x 110	10	161684*
M 24 x 120	10	161685*
x	200	124239*
x	100	124246*
x	50	124247*
x	200	160146*
x	50	062650*
x	50	124248*

DIN 912, cylinder head, internal hexagon, steel 8.8, zinc plated

Dimensions	PU Piece	Article No.
x	200	124240*
x	50	051317*
x	50	124249*
x	50	160147*
x	50	124250*
x	50	160149*
x	200	124241*
x	50	124252*
x	50	062652*
x	50	124254*
x	50	124255*
x	200	124242*
x	50	124256*
x	50	124257*
x	50	124258*
x	50	124259*
x	50	124260*
x	50	124261*
x	50	124265*
x	100	024633*
x	100	124243*
x	100	124244*
x	100	124245*
x	50	124275*
x	50	124276*
x	50	133059*
x	50	124277*
x	100	124266*
x	50	124278*
x	100	062653*
x	50	062654*

DIN 912, cylinder head, internal hexagon, steel 8.8, zinc plated

Dimensions	PU Piece	Article No.
x	50	124279*
x	50	124280*
x	50	062655*
x	25	124281*
x	25	051320*
x	100	124269*
x	25	124282*
x	25	124283*
x	25	124284*
x	25	124285*
x	25	124286*
x	25	124288*
x	25	124289*
x	50	124272*
x	50	124273*
x	50	124274*
x	50	124296*
x	50	161659*
x	50	124297*
x	25	161660*
x	25	124298*
x	25	161661*
x	25	161663*
x	100	062656*
x	50	124292*
x	50	124293*
x	50	124294*
x	50	124295*
x	50	161657*
x	25	161665*
x	25	124303*

INTERNAL/Approved (2019-03-22 12:59:54)

Metric and inch screws

1

DIN 912, cylinder head, internal hexagon, steel 8.8, zinc plated		
Dimensions	PU Piece	Article No.
x	25	124304*
x	25	161667*
x	50	062657*
x	25	124305*
x	25	124306*
x	25	124307*
x	25	124308*
x	50	062658
x	25	124309*
x	25	124310*
x	25	124311*
x	25	124312*
x	25	124313*
x	50	930430*
x	10	124314*
x	10	124315*
x	50	930431*
x	10	124316*
x	25	124299*
x	25	124300*
x	25	124301*
x	25	124302*
x	25	124329
x	25	124332*
x	25	124333*
x	50	124317*
x	50	124318*
x	50	124319*
x	50	124320*
x	50	124321*
x	25	124322*

DIN 912, cylinder head, internal hexagon, steel 8.8, zinc plated		
Dimensions	PU Piece	Article No.
x	25	124324*
x	25	124326*
x	25	124327*
x	25	124328*
x	25	161673*
x	25	161674*
x	10	161675*
x	10	124352*
x	10	161676*
x	1	161677*
x	1	124353*
x	1	124355*
x	1	124356*
x	1	124357*
x	1	124358*
x	25	124338*
x	1	124359*
x	1	124360*
x	1	124361*
x	1	051329*
x	25	938404*
x	1	124363*
x	1	124364*
x	25	124340*
x	25	051324*
x	25	062659*
x	25	124341*
x	25	124349*
x	25	124350*
x	25	124351*
x	1	062661*

DIN 912, cylinder head, internal hexagon, steel 8.8, zinc plated		
Dimensions	PU Piece	Article No.
x	1	161686*
x	10	124372*
x	1	161689*
x	1	124373*
x	1	124374*
x	1	124375*
x	1	124376*
x	1	124377*
x	1	124378*
x	1	124379*
x	1	124380*
x	25	124365*
x	25	062660*
x	25	124366*
x	25	124367*
x	25	161679*
x	25	124368*
x	25	124369*
x	10	124371*
x	10	124390*
x	10	124391*
x	10	124392*
x	1	124394*
x	1	124396*
x	1	124403*
x	10	124382*
x	10	124383*
x	10	124384*
x	10	124385*
x	10	124386*
x	10	124388*

INTERNAL/Approved (2019-03-22 12:59:55)

Metric and inch screws

1

DIN 912, cylinder head, internal hexagon, steel 8.8, zinc plated

Dimensions	PU Piece	Article No.
x	500	120791*
x	500	120792*
x	500	120793*
x	500	120794*
x	1	124413*
x	1	124428*
x	1	124429*
x	1	124430*
x	1	124431*
x	1	124432*
x	1	124433*
x	1	124437*
x	1	124451*
x	1	124460*
x	1	124478*
x	1	124486*
x	1	124494*
x	1	124508*
x	1	124516*
x	1	124520*
x	1	124524*
x	1	124540*
x	10	124404*
x	10	124405*
x	10	124406*
x	10	124407*
x	10	124408*
x	10	124409*
x	10	124410*
x	10	124411*
x	1	124412*

DIN 912, cylinder head, internal hexagon, steel 8.8, zinc plated

Dimensions	PU Piece	Article No.
x	1	124591*
x	1	124596*
x	1	124597*
x	1	124598*
x	1	124605*
x	1	124613*
x	1	124621*
x	1	124622*
x	1	124630*
x	1	124648*
x	1	124656*
x	1	124658*
x	1	124661*
x	1	124662*
x	1	124567*
x	1	124573*
x	1	124575*
x	1	124582*
x	1	124583*
x	1	124584*
x	500	062641*
x	500	062642*
x	500	124102*
x	500	124103*
x	500	124104*
x	500	062643*
x	500	062644*
x	500	124105*
x	500	124101*
x	500	062638*
x	500	124106*

DIN 912, cylinder head, internal hexagon, steel 8.8, zinc plated

Dimensions	PU Piece	Article No.
x	500	062639*
x	500	062640*
x	200	120796*
x	1	124666*
x	1	124663*
x	1	124664*
x	1	124665012466*
x	200	124120*
x	200	124121*
x	200	124122*
x	500	124110*
x	500	124111*
x	500	124112*
x	500	160145*
x	500	124108*
x	200	124113*
x	500	124109*
x	200	124114*
x	500	109910
x	200	124115*
x	200	124116*
x	200	124117*
x	200	124118*
x	200	124119*
x	200	124138*
x	200	124144*
x	100	124148*
x	100	124149*
x	100	124152*
x	100	124154*
x	100	124156*

INTERNAL/Approved (2019-03-22 12:59:56)

Metric and inch screws

1

DIN 912, cylinder head, internal hexagon, steel 8.8, zinc plated		
Dimensions	PU Piece	Article No.
x	100	124125*
x	100	124160*
x	100	124161*
x	100	124162*
x	100	124164*
x	100	124126*
x	100	124165*
x	100	124127*
x	500	124123*
x	200	062646*
x	200	124130*
x	200	124131*
x	200	124135*
x	100	124177*
x	100	124178*
x	100	124180*
x	100	124181*
x	100	124182*
x	100	124183*

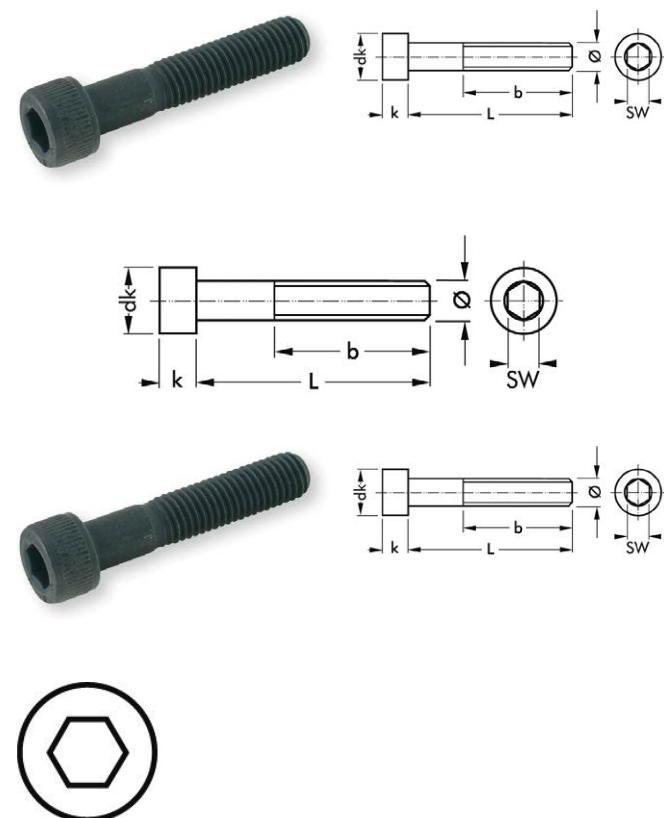
DIN 912, cylinder head, internal hexagon, steel 8.8, zinc plated		
Dimensions	PU Piece	Article No.
x	100	124186*
x	100	124188*
x	100	124190*
x	100	124191*
x	100	124192*
x	100	124193*
x	100	124196*
x	100	124203*
x	100	124167*
x	100	124204*
x	100	124206*
x	100	124208*
x	200	124168*
x	200	124176*
x	100	124214*
x	100	124216*
x	100	124219*
x	100	062648*
x	100	124221*

DIN 912, cylinder head, internal hexagon, steel 8.8, zinc plated		
Dimensions	PU Piece	Article No.
x	100	124222*
x	100	124223*
x	100	124224*
x	100	124225*
x	100	124226*
x	100	124228*
x	100	124230*
x	100	124231*
x	200	198080*
x	100	124233*
x	100	124234*
x	100	124235*
x	100	124236*
x	100	124237*
x	100	124238*
x	100	124212*
x	200	124210*
x	100	124213*

* = The delivery time is 30 days
AGR: 00.212

INTERNAL/Approved (2019-03-22 12:59:57)

DIN 912, cylinder head, internal hexagon, steel 10.9, plain



Thread	M 8	M 10	M 12
Thread Pitch mm	1.25 mm	1.5 mm	1.75 mm
Ø head	13 mm	16 mm	18 mm
Height Of Head (k)	8 mm	10 mm	12 mm
Drive	I6KT 6	I6KT 8	I6KT 10

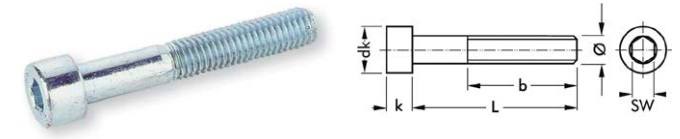
DIN 912, cylinder head, internal hexagon, steel 10.9, plain		
Dimensions	PU Piece	Article No.
M 8 x 20	50	161851*
M 8 x 25	50	161852*
M 8 x 30	50	161853*
M 8 x 40	50	161855*
M 8 x 45	100	161856*
M 8 x 50	50	161857*
M 8 x 60	50	161858*

DIN 912, cylinder head, internal hexagon, steel 10.9, plain		
Dimensions	PU Piece	Article No.
M 10 x 25	25	161866*
M 10 x 30	25	161867*
M 10 x 40	25	161869*
M 10 x 50	25	161871*
M 10 x 60	25	161872*
M 12 x 30	25	161882*
M 12 x 40	25	161884*

DIN 912, cylinder head, internal hexagon, steel 10.9, plain		
Dimensions	PU Piece	Article No.
M 12 x 50	25	161886*
M 12 x 60	25	161887*
M 12 x 70	25	161888*
M 12 x 80	25	161889*
M 12 x 90	25	161890*

* = The delivery time is 30 days
AGR: 00.213

DIN 912, cylinder head, internal hexagon, steel 10.9, zinc plated



1

Characteristics

- Annealed

Hints

- Risk of hydrogen embrittlement: In galvanic coatings on high strength parts with a tensile strength of 1000 N / mm² (eg, 10.9, 12.9) and springy Share with hardness of 320 HV, the risk of hydrogen embrittlement (brittle fracture) can not be excluded with certainty - see technical information

Thread	M 3	M 4	M 5	M 6	M 8
Thread Pitch mm	0.5 mm	0.7 mm	0.8 mm	1 mm	1.25 mm
Ø head	5.5 mm	7 mm	8.5 mm	10 mm	13 mm
Height Of Head (k)	3 mm	4 mm	5 mm	6 mm	8 mm
Drive	I6KT 2.5	I6KT 3	I6KT 4	I6KT 5	I6KT 6
Thread	M 10	M 12	M 14	M 16	M 18
Thread Pitch mm	1.5 mm	1.75 mm	2 mm	2 mm	2.5 mm
Ø head	16 mm	18 mm	21 mm	24 mm	27 mm
Height Of Head (k)	10 mm	12 mm	14 mm	16 mm	18 mm
Drive	I6KT 8	I6KT 10	I6KT 12	I6KT 14	I6KT 14
Thread	M 20	M 24	M 27	M 30	M 36
Thread Pitch mm	2.5 mm	3 mm	3 mm	3.5 mm	4 mm
Ø head	30 mm	36 mm	40 mm	45 mm	54 mm
Height Of Head (k)	20 mm	24 mm	27 mm	30 mm	36 mm
Drive	I6KT 17	I6KT 19	I6KT 19	I6KT 22	I6KT 27

DIN 912, cylinder head, internal hexagon, steel 10.9, zinc plated		
Dimensions	PU Amount	Article No.
M 8 x 25	200	124758*
M 8 x 35	200	124760*
M 8 x 40	200	124761*
M 10 x 25	200	124785*
M 12 x 50	100	124816*

DIN 912, cylinder head, internal hexagon, steel 10.9, zinc plated		
Dimensions	PU Amount	Article No.
M 12 x 55	100	124817*
M 12 x 60	100	124818*
M 12 x 240	25	124842*
M 14 x 60	50	124861*
x	100	124800*

DIN 912, cylinder head, internal hexagon, steel 10.9, zinc plated		
Dimensions	PU Amount	Article No.
x	200	124781*
x	50	124801*
x	50	124802*
x	200	124782*
x	50	124803*

INTERNAL/Approved (2019-03-22 13:02:02)

Metric and inch screws

1

DIN 912, cylinder head, internal hexagon, steel 10.9, zinc plated		
Dimensions	PU Amount	Article No.
x	50	124804*
x	50	124805*
x	200	124783*
x	50	124806*
x	50	124807*
x	200	124784*
x	50	124808*
x	50	124809*
x	200	124786*
x	100	124787*
x	100	124788*
x	100	124789*
x	100	124790*
x	100	124791*
x	100	124792*
x	100	124793*
x	100	124794*
x	100	124795*
x	100	124796*
x	100	124797*
x	100	124798*
x	100	124799*
x	50	124826012482*
x	50	124827*
x	50	124828*
x	50	124829*
x	50	124830*
x	50	124831*
x	50	124832*
x	50	124833*
x	25	124834*

DIN 912, cylinder head, internal hexagon, steel 10.9, zinc plated		
Dimensions	PU Amount	Article No.
x	25	124835*
x	25	124836*
x	25	124837*
x	25	124838*
x	100	124810*
x	25	124839*
x	25	124840*
x	25	124841*
x	25	124843*
x	100	124811*
x	25	124844*
x	25	124845*
x	25	124846012484*
x	25	124847*
x	25	124848*
x	100	124812*
x	25	124849*
x	25	124850*
x	25	124851*
x	25	124852*
x	100	124813*
x	25	124853*
x	25	124854*
x	100	124814*
x	100	124815*
x	50	124819*
x	50	124820*
x	50	124821*
x	50	124822*
x	50	124823*
x	50	124824*

DIN 912, cylinder head, internal hexagon, steel 10.9, zinc plated		
Dimensions	PU Amount	Article No.
x	50	124825*
x	50	124866*
x	50	124867*
x	50	124868*
x	50	124869*
x	100	124855*
x	100	124856*
x	100	124857*
x	50	124858*
x	50	124859*
x	50	124860*
x	50	124862*
x	50	124863*
x	50	124864*
x	50	124865*
x	25	124885*
x	25	124886*
x	25	124887*
x	25	124888*
x	25	124889*
x	25	124890*
x	25	124891*
x	25	124892*
x	25	124893*
x	25	124894*
x	50	124870*
x	25	124895*
x	25	124896*
x	25	124897*
x	25	124898*
x	50	124871*

INTERNAL/Approved (2019-03-22 13:02:03)

Metric and inch screws

1

DIN 912, cylinder head, internal hexagon, steel 10.9, zinc plated		
Dimensions	PU Amount	Article No.
x	25	124899*
x	50	124872*
x	50	124873*
x	50	124874*
x	50	124875*
x	50	124876*
x	50	124877*
x	50	124878*
x	25	124879*
x	25	124880*
x	25	124881*
x	25	124882*
x	25	124883*
x	25	124884*
x	25	124907*
x	25	124908*
x	25	124909*
x	25	124910*
x	25	124911*
x	25	124912*
x	50	124900*
x	25	124901*
x	25	124902*
x	25	124903*
x	25	124904*
x	25	124905*
x	25	124906*
x	25	124926*
x	25	124927*
x	25	124928*
x	25	124929*

DIN 912, cylinder head, internal hexagon, steel 10.9, zinc plated		
Dimensions	PU Amount	Article No.
x	25	124930*
x	25	124931*
x	10	124932*
x	10	124933*
x	10	124934*
x	10	124935*
x	10	124936*
x	25	124913*
x	1	124937*
x	1	124938*
x	1	124939*
x	1	124940*
x	1	124941*
x	25	124914*
x	25	124915*
x	25	124916*
x	25	124917*
x	25	124918*
x	25	124919*
x	25	124920*
x	25	124921*
x	25	124922*
x	25	124923*
x	25	124924*
x	25	124925*
x	10	124950*
x	10	124951*
x	10	124952*
x	10	124953*
x	10	124954*
x	10	124955*

DIN 912, cylinder head, internal hexagon, steel 10.9, zinc plated		
Dimensions	PU Amount	Article No.
x	10	124956*
x	10	124957*
x	10	124958*
x	10	124959*
x	10	124960*
x	1	124961*
x	1	124962*
x	1	124963*
x	1	124964*
x	1	124965*
x	1	124966*
x	1	124967*
x	1	124968*
x	1	124969*
x	25	124942*
x	25	124943*
x	25	124944*
x	25	124945*
x	25	124946*
x	25	124947*
x	25	124948*
x	10	124949*
x	10	124970*
x	10	124971*
x	10	124972*
x	10	124973*
x	10	124981*
x	10	124982*
x	10	124983*
x	10	124984*
x	10	124985*

INTERNAL/Approved (2019-03-22 13:02:43)

Metric and inch screws

1

DIN 912, cylinder head, internal hexagon, steel 10.9, zinc plated		
Dimensions	PU Amount	Article No.
x	10	124986*
x	10	124987*
x	10	124988*
x	10	124989*
x	1	124991*
x	1	124992*
x	1	124993*
x	1	124994*
x	1	124995*
x	1	124996*
x	1	124997*
x	1	124998*
x	1	124999*
x	1	125003*
x	1	125004*
x	1	125005*
x	10	124974*
x	10	124975*
x	10	124976*
x	1	124977*
x	10	124978*
x	10	124979*
x	10	124980*
x	1	125011*
x	1	125012*
x	1	125013*
x	1	125014*
x	1	125015*
x	1	125016*
x	1	125017*
x	1	125018*

DIN 912, cylinder head, internal hexagon, steel 10.9, zinc plated		
Dimensions	PU Amount	Article No.
x	1	125019*
x	1	125020*
x	1	125006*
x	1	125007*
x	1	125008*
x	1	125009*
x	1	125010*
x	500	124669*
x	500	124670*
x	500	124671*
x	500	124672*
x	500	124673*
x	500	124674*
x	500	124667*
x	500	124668*
x	500	124677*
x	500	124678*
x	500	124679*
x	500	124680*
x	500	124681*
x	500	124682*
x	500	124683*
x	500	124684*
x	500	124685*
x	500	124686*
x	500	124687*
x	500	124688*
x	200	124689*
x	200	124690*
x	500	124675*
x	500	124676*

DIN 912, cylinder head, internal hexagon, steel 10.9, zinc plated		
Dimensions	PU Amount	Article No.
x	200	124715*
x	500	124693*
x	100	124716*
x	100	124717*
x	500	124694*
x	100	124718*
x	100	124719*
x	500	124695*
x	100	124720*
x	100	124721*
x	500	124696*
x	500	124697*
x	500	124698*
x	500	124700*
x	500	124701*
x	200	124702*
x	200	124703*
x	200	124704*
x	200	124705*
x	200	124706*
x	200	124707*
x	200	124708*
x	500	124691*
x	200	124709*
x	200	124710*
x	200	124711*
x	200	124712*
x	500	124692*
x	200	124713*
x	200	124714*
x	200	124744*

INTERNAL/Approved (2019-03-22 13:02:45)

DIN 912, cylinder head, internal hexagon, steel 10.9, zinc plated		
Dimensions	PU Amount	Article No.
x	500	124723*
x	100	124745*
x	100	124746*
x	100	124747*
x	500	124724*
x	100	124748*
x	100	124749*
x	500	124725*
x	100	124750*
x	100	124751*
x	500	124726*
x	500	124727*
x	500	124728*
x	500	124729*
x	500	124730*
x	500	124731*
x	200	124732*
x	200	124733*
x	200	124734*

DIN 912, cylinder head, internal hexagon, steel 10.9, zinc plated		
Dimensions	PU Amount	Article No.
x	200	124735*
x	200	124736*
x	200	124737*
x	200	124738*
x	200	124739*
x	200	124740*
x	200	124741*
x	200	124742*
x	500	124722*
x	200	124743*
x	100	124771*
x	200	124752*
x	100	124772*
x	100	124773*
x	200	124753*
x	100	124774*
x	50	124775*
x	200	124754*
x	50	124776*

DIN 912, cylinder head, internal hexagon, steel 10.9, zinc plated		
Dimensions	PU Amount	Article No.
x	50	124777*
x	200	124755*
x	50	124778*
x	50	124779*
x	50	124780*
x	200	124756*
x	200	124757*
x	200	124759*
x	200	124762*
x	200	124763*
x	200	124764*
x	200	124765*
x	200	124766*
x	200	124767*
x	200	124768*
x	200	124769*
x	100	124770*

* = The delivery time is 10 days
AGR: 00.213

DIN 912, cylinder head, internal hexagon, steel 12.9, plain

- Black chromated: 12.9 Quality
- Cylinder head with hexagon and metric thread

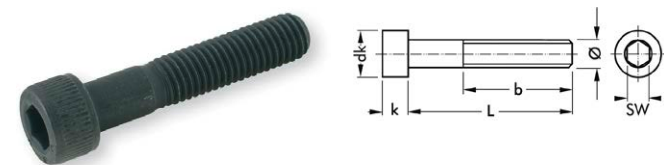
Hints

- Ø M18, M22 and M27 are not provided in the ISO 4762, it is supplied according to DIN 912 ausgeliefert



Metric and inch screws

1



Thread	M 2	M 2.5	M 3	M 4	M 5
Thread Pitch mm	0.4 mm	0.45 mm	0.5 mm	0.7 mm	0.8 mm
Ø head	3.8 mm	4.5 mm	5.5 mm	7 mm	8.5 mm
Height Of Head (k)	2 mm	2.5 mm	3 mm	4 mm	5 mm
Drive	I6KT 1.5	I6KT 2	I6KT 2.5	I6KT 3	I6KT 4
Thread	M 6	M 8	M 10	M 12	M 14
Thread Pitch mm	1 mm	1.25 mm	1.5 mm	1.75 mm	2 mm
Ø head	10 mm	13 mm	16 mm	18 mm	21 mm
Height Of Head (k)	6 mm	8 mm	10 mm	12 mm	14 mm
Drive	I6KT 5	I6KT 6	I6KT 8	I6KT 10	I6KT 12
Thread	M 16	M 18	M 20	M 22	M 24
Thread Pitch mm	2 mm	2.5 mm	2.5 mm	2.5 mm	3 mm
Ø head	24 mm	27 mm	30 mm	33 mm	36 mm
Height Of Head (k)	16 mm	18 mm	20 mm	22 mm	24 mm
Drive	I6KT 14	I6KT 14	I6KT 17	I6KT 17	I6KT 19
Thread	M 27	M 30	M 36	M 39	M 42
Thread Pitch mm	3 mm	3.5 mm	4 mm	4 mm	4.5 mm
Ø head	40 mm	45 mm	54 mm	58 mm	63 mm
Height Of Head (k)	27 mm	30 mm	36 mm	39 mm	42 mm
Drive	I6KT 19	I6KT 22	I6KT 27	I6KT 27	I6KT 32
Thread	M 48				
Thread Pitch mm	5 mm				
Ø head	72 mm				
Height Of Head (k)	48 mm				
Drive	I6KT 36				

DIN 912, cylinder head, internal hexagon, steel 12.9, plain		
Dimensions	PU Piece	Article No.
M 2 x 3	100	125021*

DIN 912, cylinder head, internal hexagon, steel 12.9, plain		
Dimensions	PU Piece	Article No.
M 2 x 4	100	125022*

DIN 912, cylinder head, internal hexagon, steel 12.9, plain		
Dimensions	PU Piece	Article No.
M 2 x 5	100	125023*

INTERNAL/Approved (2019-03-22 13:05:39)

Metric and inch screws

1

DIN 912, cylinder head, internal hexagon, steel 12.9, plain		
Dimensions	PU Piece	Article No.
M 2 x 6	100	125025*
M 2 x 8	100	125026*
M 2 x 10	100	125027*
M 2 x 12	100	125028*
M 2.5 x 4	100	125030*
M 2.5 x 5	100	125031*
M 2.5 x 6	100	125032*
M 2.5 x 8	100	125033*
M 2.5 x 10	100	125034*
M 2.5 x 12	100	125035*
M 2.5 x 16	100	125036*
M 3 x 4	500	125037*
M 3 x 5	100	125038*
M 3 x 6	100	062736*
M 3 x 8	100	062737*
M 3 x 10	100	062738*
M 3 x 12	100	062739*
M 3 x 14	100	125039*
M 3 x 16	100	062740*
M 3 x 18	100	125040*
M 3 x 20	100	062741*
M 3 x 22	100	125041*
M 3 x 25	100	062742*
M 3 x 30	100	062743*
M 3 x 35	100	125042*
M 3 x 40	500	125043*
M 3 x 45	500	125044*
M 3 x 50	500	125045*
M 4 x 5	100	125046
M 4 x 6	100	160134
M 4 x 8	100	062744*

DIN 912, cylinder head, internal hexagon, steel 12.9, plain		
Dimensions	PU Piece	Article No.
M 4 x 10	100	534170*
M 4 x 12	100	030320*
M 4 x 14	100	125047*
M 4 x 16	100	534196*
M 4 x 18	100	125048*
M 4 x 20	100	534200*
M 4 x 22	100	125050*
M 4 x 25	100	534218*
M 4 x 30	100	534226*
M 4 x 35	100	030325*
M 4 x 40	100	030326*
M 4 x 45	100	125052*
M 4 x 50	100	109464*
M 4 x 55	200	125053*
M 4 x 60	200	125054*
M 4 x 65	200	125055*
M 4 x 70	200	125056*
M 4 x 75	500	125057*
M 4 x 80	200	125058*
M 4 x 90	200	125059*
M 4 x 100	200	125060*
M 4 x 110	200	125061*
M 4 x 120	200	125062*
M 5 x 6	100	125063*
M 5 x 8	100	062746*
M 5 x 10	100	030327*
M 5 x 12	100	534269*
M 5 x 14	100	125064*
M 5 x 16	100	534277*
M 5 x 18	100	125065*
M 5 x 20	100	534285*

DIN 912, cylinder head, internal hexagon, steel 12.9, plain		
Dimensions	PU Piece	Article No.
M 5 x 22	100	125066*
M 5 x 25	100	534293*
M 5 x 30	100	534307*
M 5 x 35	200	534315*
M 5 x 40	200	030334*
M 5 x 45	200	030335*
M 5 x 50	200	534340*
M 5 x 55	200	125067*
M 5 x 60	200	925462*
M 5 x 65	200	125068*
M 5 x 70	200	062748*
M 5 x 75	200	125069*
M 5 x 80	200	062749*
M 5 x 85	200	125071*
M 5 x 90	200	062750*
M 5 x 95	200	125073*
M 5 x 100	200	062751*
M 5 x 110	100	062752*
M 5 x 120	100	062753*
M 5 x 130	100	062754*
M 5 x 140	100	062755*
M 5 x 150	100	062756*
M 5 x 160	100	062757*
M 5 x 170	100	062758*
M 5 x 180	100	062759*
M 5 x 190	100	125074*
M 5 x 200	100	062760*
M 5 x 210	100	125075*
M 5 x 220	100	125076*
M 5 x 230	100	125077*
M 5 x 240	100	125078*

INTERNAL/Approved (2019-03-22 13:05:48)

Metric and inch screws

1

DIN 912, cylinder head, internal hexagon, steel 12.9, plain		
Dimensions	PU Piece	Article No.
M 6 x 6	100	125079*
M 6 x 8	100	125080
M 6 x 10	50	534358*
M 6 x 12	50	030338*
M 6 x 14	500	125081*
M 6 x 16	50	534374*
M 6 x 18	100	125082*
M 6 x 20	50	534382*
M 6 x 22	100	125083*
M 6 x 25	50	534390
M 6 x 30	50	534404*
M 6 x 35	50	534412*
M 6 x 40	50	534420*
M 6 x 45	200	030345*
M 6 x 50	50	534447*
M 6 x 55	200	030348*
M 6 x 60	50	534463*
M 6 x 65	200	125084*
M 6 x 70	25	030435*
M 6 x 75	200	975607*
M 6 x 80	25	030436*
M 6 x 85	200	125085*
M 6 x 90	25	052663*
M 6 x 95	100	125086*
M 6 x 100	25	160135*
M 6 x 105	100	125087*
M 6 x 110	100	125088*
M 6 x 115	100	125089*
M 6 x 120	100	062761*
M 6 x 125	100	125090*
M 6 x 130	100	125091*

DIN 912, cylinder head, internal hexagon, steel 12.9, plain		
Dimensions	PU Piece	Article No.
M 6 x 135	100	125092*
M 6 x 140	100	062762*
M 6 x 145	100	125094*
M 6 x 150	100	125096*
M 6 x 155	100	125099*
M 6 x 160	100	062763*
M 6 x 165	100	125100*
M 6 x 170	100	125101*
M 6 x 175	100	125102*
M 6 x 180	100	062764*
M 6 x 185	100	125103*
M 6 x 190	100	125104*
M 6 x 200	100	062765*
M 6 x 210	100	125105*
M 6 x 220	100	125106*
M 6 x 230	100	125107*
M 6 x 240	100	125108*
M 6 x 250	100	125109*
M 6 x 260	100	125110*
M 6 x 270	100	125111*
M 6 x 280	100	125112*
M 6 x 290	100	125113*
M 6 x 300	100	125114*
M 8 x 8	200	125115*
M 8 x 10	200	030347
M 8 x 12	200	925470*
M 8 x 14	200	125116*
M 8 x 16	50	534501*
M 8 x 18	200	125117*
M 8 x 20	50	534510*
M 8 x 22	200	125118*

DIN 912, cylinder head, internal hexagon, steel 12.9, plain		
Dimensions	PU Piece	Article No.
M 8 x 25	50	534528*
M 8 x 30	50	534536*
M 8 x 35	50	534544*
M 8 x 40	50	534552*
M 8 x 45	50	030355*
M 8 x 50	25	534579*
M 8 x 55	200	534587*
M 8 x 60	25	534595*
M 8 x 65	200	125119*
M 8 x 70	25	938434*
M 8 x 75	200	125120*
M 8 x 80	25	534617*
M 8 x 90	25	030361*
M 8 x 100	25	133065*
M 8 x 110	100	938439*
M 8 x 120	100	108216*
M 8 x 130	100	062766*
M 8 x 140	50	062767*
M 8 x 150	50	062768*
M 8 x 160	50	062769*
M 8 x 170	50	125121*
M 8 x 180	50	062770*
M 8 x 190	50	125122*
M 8 x 200	50	062771*
M 8 x 210	50	125123*
M 8 x 220	50	125124*
M 8 x 230	50	125125*
M 8 x 240	50	125126*
M 8 x 250	50	125127*
M 8 x 260	50	125128*
M 8 x 270	50	125129*

INTERNAL/Approved (2019-03-22 13:07:55)

Metric and inch screws

1

DIN 912, cylinder head, internal hexagon, steel 12.9, plain		
Dimensions	PU Piece	Article No.
M 8 x 280	50	125130*
M 8 x 290	50	125131*
M 8 x 300	50	125132*
M 8 x 310	50	125133*
M 10 x 10	200	125134*
M 10 x 12	200	125135*
M 10 x 16	200	160136*
M 10 x 18	200	125136*
M 10 x 20	50	030362*
M 10 x 22	200	125138*
M 10 x 25	50	534641*
M 10 x 30	50	534650*
M 10 x 35	50	534668*
M 10 x 40	50	534676*
M 10 x 45	50	938551*
M 10 x 50	25	534692*
M 10 x 55	100	030369*
M 10 x 60	25	534714*
M 10 x 65	100	125140*
M 10 x 70	25	534722*
M 10 x 75	100	975610*
M 10 x 80	25	534730*
M 10 x 85	100	125142*
M 10 x 90	25	030373
M 10 x 100	25	030374
M 10 x 110	50	133066*
M 10 x 120	50	133067*
M 10 x 130	50	133068*
M 10 x 140	50	133069*
M 10 x 150	50	133070*
M 10 x 160	50	062772*

DIN 912, cylinder head, internal hexagon, steel 12.9, plain		
Dimensions	PU Piece	Article No.
M 10 x 170	50	125143*
M 10 x 180	50	062773*
M 10 x 190	50	125144*
M 10 x 200	50	125145*
M 10 x 210	50	125146*
M 10 x 220	50	062774*
M 10 x 230	50	125147*
M 10 x 240	50	125148*
M 10 x 250	50	125149*
M 10 x 260	50	125150*
M 10 x 270	50	125151*
M 10 x 280	50	062775*
M 10 x 290	50	125152*
M 10 x 300	50	125153*
M 12 x 12	100	125154*
M 12 x 16	100	160137*
M 12 x 18	100	125155*
M 12 x 20	100	030375*
M 12 x 22	100	125156*
M 12 x 25	25	534773*
M 12 x 30	25	534781*
M 12 x 35	25	030378*
M 12 x 40	25	534803*
M 12 x 45	25	030380*
M 12 x 50	25	534820*
M 12 x 55	100	030382*
M 12 x 60	25	030383*
M 12 x 65	50	030529*
M 12 x 70	25	534862*
M 12 x 75	50	125157*
M 12 x 80	25	030385*

DIN 912, cylinder head, internal hexagon, steel 12.9, plain		
Dimensions	PU Piece	Article No.
M 12 x 90	25	030386*
M 12 x 100	10	938436*
M 12 x 110	50	133071*
M 12 x 120	50	133074*
M 12 x 130	50	062778*
M 12 x 140	50	133075*
M 12 x 150	50	062779*
M 12 x 160	25	133076*
M 12 x 170	25	125158*
M 12 x 180	25	133077*
M 12 x 190	25	125159*
M 12 x 200	25	062780*
M 12 x 220	25	062781*
M 12 x 230	25	125160*
M 12 x 240	25	062782*
M 12 x 250	25	125161*
M 12 x 260	25	125162*
M 12 x 280	25	125163*
M 14 x 20	100	125171*
M 14 x 25	100	125172*
M 14 x 30	100	160138*
M 14 x 35	100	030388*
M 14 x 40	25	030389*
M 14 x 45	50	030390*
M 14 x 50	25	030391*
M 14 x 55	50	030392*
M 14 x 60	25	534951*
M 14 x 65	50	125173*
M 14 x 70	25	030394*
M 14 x 75	50	125174*
M 14 x 80	25	030395*

INTERNAL/Approved (2019-03-22 13:08:02)

Metric and inch screws

1

DIN 912, cylinder head, internal hexagon, steel 12.9, plain		
Dimensions	PU Piece	Article No.
M 14 x 90	50	030396*
M 14 x 100	10	030397
M 14 x 110	50	062785*
M 14 x 120	50	144374*
M 14 x 130	50	125175*
M 14 x 140	25	062787*
M 14 x 150	25	125176*
M 14 x 160	25	062788*
M 14 x 170	25	125177*
M 14 x 180	25	125178*
M 14 x 190	25	125179*
M 14 x 200	25	125180*
M 14 x 220	10	125181*
M 14 x 240	10	125182*
M 14 x 260	10	125183*
M 14 x 280	10	125184*
M 14 x 300	10	125185*
M 16 x 20	50	125186*
M 16 x 22	50	125187*
M 16 x 25	50	160139*
M 16 x 30	50	030561*
M 16 x 35	50	030398*
M 16 x 40	25	030399*
M 16 x 45	10	938402*
M 16 x 50	10	535044*
M 16 x 55	50	030402*
M 16 x 60	10	535060*
M 16 x 65	25	030404*
M 16 x 70	10	030405*
M 16 x 75	25	062791*
M 16 x 80	10	030406*

DIN 912, cylinder head, internal hexagon, steel 12.9, plain		
Dimensions	PU Piece	Article No.
M 16 x 85	25	125188*
M 16 x 90	10	030407*
M 16 x 100	10	030408*
M 16 x 110	25	030409*
M 16 x 120	25	144375*
M 16 x 130	25	160140*
M 16 x 140	25	062793*
M 16 x 150	25	062794*
M 16 x 160	25	062795*
M 16 x 170	25	125189*
M 16 x 180	25	062796*
M 16 x 190	25	125190*
M 16 x 200	25	062797*
M 16 x 210	25	125191*
M 16 x 220	25	062798*
M 16 x 230	25	125192*
M 16 x 240	25	062799*
M 16 x 250	25	125194*
M 16 x 260	25	125196*
M 16 x 270	25	125197*
M 16 x 280	25	125198*
M 16 x 290	25	125199*
M 16 x 300	25	125200*
M 18 x 30	50	125214*
M 18 x 35	50	125215*
M 18 x 40	50	062800*
M 18 x 45	50	062801*
M 18 x 50	10	030410*
M 18 x 55	25	125216*
M 18 x 60	10	030411*
M 18 x 65	25	125217*

DIN 912, cylinder head, internal hexagon, steel 12.9, plain		
Dimensions	PU Piece	Article No.
M 18 x 70	25	030412*
M 18 x 75	25	125218*
M 18 x 80	10	030413*
M 18 x 90	25	030414*
M 18 x 100	25	062804*
M 18 x 110	25	125219*
M 18 x 120	25	062805*
M 18 x 130	25	125220*
M 18 x 140	25	062806*
M 18 x 150	25	125221*
M 18 x 160	25	062807*
M 18 x 170	25	125222*
M 18 x 180	25	125223*
M 18 x 190	25	125224*
M 18 x 200	10	125225*
M 18 x 220	10	125226*
M 18 x 240	10	125227*
M 20 x 30	25	160141*
M 20 x 35	25	125231*
M 20 x 40	25	030415*
M 20 x 45	25	160142*
M 20 x 55	25	125232*
M 20 x 60	10	030417*
M 20 x 65	25	062809*
M 20 x 70	25	030418*
M 20 x 75	25	125233*
M 20 x 80	10	030419*
M 20 x 90	25	030420*
M 20 x 100	10	030421*
M 20 x 110	25	160143*
M 20 x 120	25	160144*

INTERNAL/Approved (2019-03-22 13:08:08)

Metric and inch screws

1

DIN 912, cylinder head, internal hexagon, steel 12.9, plain		
Dimensions	PU Piece	Article No.
M 20 x 130	25	062812*
M 20 x 140	25	975614*
M 20 x 150	25	062813*
M 20 x 160	10	062814*
M 20 x 170	10	125234*
M 20 x 180	10	062815*
M 20 x 190	10	125235*
M 20 x 200	10	062816*
M 20 x 210	10	125236*
M 20 x 220	10	062817*
M 20 x 230	10	125238*
M 20 x 240	10	062818*
M 20 x 250	10	125239*
M 20 x 260	10	535061*
M 20 x 270	10	125240*
M 20 x 280	10	062820*
M 20 x 290	10	125242*
M 20 x 300	10	062821*
M 20 x 310	1	125244*
M 20 x 320	1	125246*
M 20 x 330	1	125247*
M 20 x 340	1	125248*
M 20 x 350	10	125249*
M 20 x 360	1	125250*
M 20 x 380	1	125251*
M 20 x 400	1	125252*
M 20 x 420	1	125253*
M 20 x 440	1	125254*
M 20 x 460	1	125255*
M 20 x 480	1	125256*
M 20 x 500	1	125257*

DIN 912, cylinder head, internal hexagon, steel 12.9, plain		
Dimensions	PU Piece	Article No.
M 22 x 40	25	125258*
M 22 x 45	25	125259*
M 22 x 50	25	125260*
M 22 x 55	25	125261*
M 22 x 60	25	125262*
M 22 x 65	25	125263*
M 22 x 70	25	062822*
M 22 x 75	25	125264*
M 22 x 80	25	062823*
M 22 x 90	25	125265*
M 22 x 100	10	062824*
M 22 x 110	10	125266*
M 22 x 120	10	062825*
M 22 x 130	1	125267*
M 22 x 150	1	125268*
M 22 x 170	1	125269*
M 22 x 220	1	125270*
M 22 x 240	1	125271*
M 22 x 260	1	125272*
M 22 x 280	1	125273*
M 22 x 300	1	125274*
M 24 x 40	25	125275*
M 24 x 45	25	125276*
M 24 x 50	25	062830*
M 24 x 55	25	125277*
M 24 x 60	25	062831*
M 24 x 65	25	125278*
M 24 x 70	25	062832*
M 24 x 75	25	125279*
M 24 x 80	25	062833*
M 24 x 90	10	144376*

DIN 912, cylinder head, internal hexagon, steel 12.9, plain		
Dimensions	PU Piece	Article No.
M 24 x 100	10	062835*
M 24 x 110	10	062836*
M 24 x 120	10	109465*
M 24 x 140	1	975615*
M 24 x 170	1	125280*
M 24 x 180	1	062842*
M 24 x 190	1	125281*
M 24 x 210	1	125282*
M 24 x 230	1	125283*
M 24 x 250	1	125284*
M 24 x 270	1	125285*
M 24 x 280	1	125286*
M 24 x 290	1	125287*
M 24 x 310	1	125288*
M 24 x 320	1	125289*
M 24 x 330	1	125290*
M 24 x 340	1	125291*
M 24 x 350	1	125292*
M 24 x 360	1	125293*
M 24 x 380	1	125294*
M 24 x 400	1	125295*
M 24 x 420	1	125297*
M 24 x 440	1	125299*
M 24 x 450	1	125300*
M 24 x 460	1	125301*
M 24 x 480	1	125302*
M 24 x 500	1	125303*
M 27 x 110	10	125315*
M 30 x 220	1	125354*
M 36 x 60	1	125371*
M 36 x 70	1	125372*

INTERNAL/Approved (2019-03-22 13:08:11)

Metric and inch screws

1

DIN 912, cylinder head, internal hexagon, steel 12.9, plain		
Dimensions	PU Piece	Article No.
M 36 x 80	1	125373*
M 36 x 90	1	125374*
M 36 x 100	1	125375*
M 36 x 110	1	125376*
M 36 x 120	1	125378*
M 36 x 130	1	125379*
M 36 x 140	1	125380*
M 36 x 150	1	125381*
M 36 x 160	1	125382*
M 36 x 170	1	125383*
M 36 x 180	1	125384*
M 36 x 200	1	125385*
M 36 x 220	1	125386*
M 36 x 240	1	125387*
M 36 x 260	1	125388*
M 36 x 280	1	125389*
M 36 x 300	1	125390*
M 36 x 320	1	125391*
M 36 x 340	1	125392*
M 36 x 360	1	125393*
M 36 x 380	1	125394*
M 36 x 400	1	125395*
M 36 x 420	1	125396*
M 39 x 100	1	125397*
M 39 x 110	1	125398*
M 39 x 120	1	125399*
M 39 x 130	1	125400*
M 39 x 140	1	125401*
M 39 x 150	1	125402*
M 39 x 160	1	125403*
M 39 x 170	1	125404*

DIN 912, cylinder head, internal hexagon, steel 12.9, plain		
Dimensions	PU Piece	Article No.
M 39 x 180	1	125405*
M 39 x 200	1	125406*
M 39 x 220	1	125407*
M 39 x 240	1	125408*
M 39 x 260	1	125409*
M 39 x 280	1	125410*
M 39 x 300	1	125411*
M 42 x 120	1	125412*
M 42 x 130	1	125413*
M 42 x 140	1	125414*
M 42 x 150	1	125415*
M 42 x 160	1	125416*
M 42 x 170	1	125417*
M 42 x 180	1	125418*
M 42 x 190	1	125419*
M 42 x 200	1	125420*
x	25	125164*
x	25	125165*
x	1	125166*
x	1	125167*
x	1	125168*
x	1	125169*
x	1	125170*
x	1	125201*
x	1	125203*
x	1	125204*
x	1	125205*
x	1	125206*
x	1	125207*
x	1	125208*
x	1	125209*

DIN 912, cylinder head, internal hexagon, steel 12.9, plain		
Dimensions	PU Piece	Article No.
x	1	125211*
x	1	125212*
x	1	125213*
x	1	125228*
x	1	125229*
x	1	125230*
x	25	030416*
x	10	125312*
x	10	125316*
x	1	125317*
x	1	125318*
x	1	125319*
x	1	125320*
x	1	125321*
x	1	125322*
x	1	125323*
x	1	125324*
x	1	125325*
x	1	125326*
x	1	125327*
x	1	125328*
x	1	125329*
x	1	125330*
x	1	125331*
x	1	125332*
x	10	125304*
x	10	125305*
x	10	125306*
x	10	125307*
x	10	125308*
x	10	125309*

INTERNAL/Approved (2019-03-22 13:08:15)

DIN 912, cylinder head, internal hexagon, steel 12.9, plain		
Dimensions	PU Piece	Article No.
x	10	125310*
x	10	125311*
x	1	125342*
x	1	125343*
x	1	125344*
x	1	125345*
x	1	125346*
x	1	125347*
x	1	125348*
x	1	125349*
x	1	125350*
x	1	125351*
x	1	125352*
x	1	125353*
x	1	125355*
x	1	125356*
x	1	125357*
x	1	125358*
x	1	125359*

DIN 912, cylinder head, internal hexagon, steel 12.9, plain		
Dimensions	PU Piece	Article No.
x	1	125360*
x	1	125361*
x	1	125362*
x	1	125363*
x	1	125364*
x	1	125365*
x	1	125366*
x	1	125367*
x	1	125368*
x	1	125369*
x	1	125333*
x	1	125370*
x	1	125334*
x	1	125335*
x	1	125336*
x	1	125337*
x	1	125338*
x	1	125339*
x	1	125340*

DIN 912, cylinder head, internal hexagon, steel 12.9, plain		
Dimensions	PU Piece	Article No.
x	1	125341*
x	1	125421*
x	1	125422*
x	1	125423*
x	1	125424*
x	1	125425*
x	1	125426*
x	1	125427*
x	1	125428*
x	1	125429*
x	1	125430*
x	1	125431*
x	1	125432*
x	1	125433*
x	1	125434*
x	1	125435*
x	1	125436*
x	1	125437*

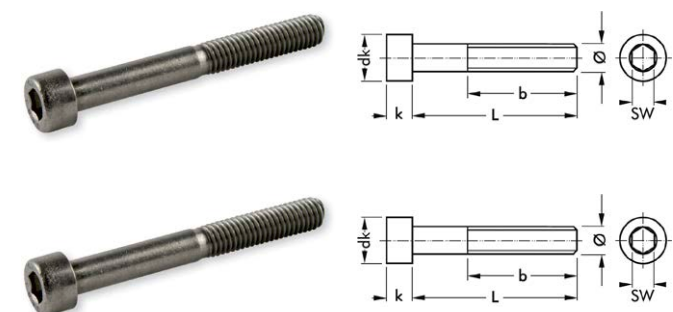
* = The delivery time is 10 days
 AGR: 00.214

DIN 912, cylinder head, internal hexagon, stainless steel A2

- Stainless Steel version: Stainless Steel A2
- Cylinder head with hexagon and metric thread

Hints

- Ø M18 is not provided in the ISO 4762, it is supplied according to DIN 912 ausgeliefert



INTERNAL/Approved (2019-03-22 13:08:20)

Metric and inch screws

1

Thread	M 2	M 2.5	M 3	M 4	M 5
Thread Pitch mm	0.4 mm	0.45 mm	0.5 mm	0.7 mm	0.8 mm
Ø head	3.8 mm	4.5 mm	5.5 mm	7 mm	8.5 mm
Height Of Head (k)	2 mm	2.5 mm	3 mm	4 mm	5 mm
Drive	I6KT 1.5	I6KT 2	I6KT 2.5	I6KT 3	I6KT 4
Thread	M 6	M 8	M 10	M 12	M 14
Thread Pitch mm	1 mm	1.25 mm	1.5 mm	1.75 mm	2 mm
Ø head	10 mm	13 mm	16 mm	18 mm	21 mm
Height Of Head (k)	6 mm	8 mm	10 mm	12 mm	14 mm
Drive	I6KT 5	I6KT 6	I6KT 8	I6KT 10	I6KT 12
Thread	M 16	M 18	M 20	M 24	
Thread Pitch mm	2 mm	2.5 mm	2.5 mm	3 mm	
Ø head	24 mm	27 mm	30 mm	36 mm	
Height Of Head (k)	16 mm	18 mm	20 mm	24 mm	
Drive	I6KT 14	I6KT 14	I6KT 17	I6KT 19	

DIN 912, cylinder head, internal hexagon, stainless steel A2

Dimensions	PU Piece	Article No.
M 2 x 3	500	094863*
M 2 x 4	500	094864*
M 2 x 5	500	094865*
M 2 x 6	500	094866*
M 2 x 8	500	094867*
M 2 x 10	500	094868*
M 2 x 12	500	094869*
M 2 x 16	500	094871*
M 2.5 x 4	500	094872*
M 2.5 x 5	500	094873*
M 2.5 x 6	500	094874*
M 2.5 x 8	500	094875*
M 2.5 x 10	500	094876*
M 2.5 x 12	500	094877*
M 2.5 x 16	500	094878*
M 2.5 x 20	500	094879*

DIN 912, cylinder head, internal hexagon, stainless steel A2

Dimensions	PU Piece	Article No.
M 3 x 4	1000	094880*
M 3 x 5	1000	094881*
M 3 x 6	1000	094882*
M 3 x 8	1000	157668
M 3 x 10	1000	157669
M 3 x 12	1000	157670
M 3 x 14	1000	094883*
M 3 x 16	1000	116011
M 3 x 18	1000	094884*
M 3 x 20	1000	026549
M 3 x 22	1000	094885*
M 3 x 25	1000	116012
M 3 x 30	1000	116013
M 3 x 35	500	094886*
M 3 x 40	500	116014*
M 3 x 45	500	094887*

DIN 912, cylinder head, internal hexagon, stainless steel A2

Dimensions	PU Piece	Article No.
M 4 x 5	1000	094888*
M 4 x 6	1000	094889
M 4 x 8	1000	354759*
M 4 x 10	200	354767
M 4 x 12	200	354775
M 4 x 14	1000	094890*
M 4 x 16	200	354783
M 4 x 18	1000	094891*
M 4 x 20	200	354791
M 4 x 22	500	094892*
M 4 x 25	200	354805
M 4 x 30	200	354813
M 4 x 35	200	516937
M 4 x 40	200	516945
M 4 x 45	200	094893*
M 4 x 50	200	026522

INTERNAL/Approved (2019-03-22 13:10:18)

Metric and inch screws

1

DIN 912, cylinder head, internal hexagon, stainless steel A2		
Dimensions	PU Piece	Article No.
M 4 x 55	200	094894*
M 4 x 60	100	116015
M 4 x 70	100	116016
M 5 x 6	500	094895*
M 5 x 8	500	094896*
M 5 x 10	100	354821
M 5 x 12	100	354830
M 5 x 14	500	094898*
M 5 x 16	100	354848
M 5 x 18	500	094899*
M 5 x 20	100	354856
M 5 x 22	500	094900*
M 5 x 25	100	354864
M 5 x 30	100	354872
M 5 x 35	200	354880
M 5 x 40	100	354899
M 5 x 45	200	133079
M 5 x 50	100	026514
M 5 x 55	200	094901*
M 5 x 60	200	116018
M 5 x 65	200	094902*
M 5 x 70	100	116019
M 5 x 80	100	116020*
M 5 x 90	100	094903*
M 5 x 100	100	094904*
M 6 x 8	500	135477*
M 6 x 10	100	031932
M 6 x 12	100	354902
M 6 x 14	200	094905*
M 6 x 16	100	354910
M 6 x 18	200	094906*

DIN 912, cylinder head, internal hexagon, stainless steel A2		
Dimensions	PU Piece	Article No.
M 6 x 20	100	109649
M 6 x 22	200	094907*
M 6 x 25	100	109657
M 6 x 30	100	109665
M 6 x 35	100	354929
M 6 x 40	100	109673
M 6 x 45	100	354937*
M 6 x 50	100	354945
M 6 x 55	100	094908*
M 6 x 60	100	354953
M 6 x 65	100	553190*
M 6 x 75	100	553204*
M 6 x 80	100	116023
M 6 x 90	100	094909*
M 6 x 100	100	094910*
M 6 x 110	100	094911*
M 6 x 120	100	094912*
M 6 x 130	100	094913*
M 6 x 150	100	094914*
M 8 x 10	500	032420*
M 8 x 12	500	160117
M 8 x 14	200	094915*
M 8 x 16	100	354970
M 8 x 18	200	094916*
M 8 x 20	100	354988
M 8 x 22	200	094917*
M 8 x 25	100	354996
M 8 x 30	100	109720
M 8 x 35	100	355003
M 8 x 40	100	355011
M 8 x 45	100	355020*

DIN 912, cylinder head, internal hexagon, stainless steel A2		
Dimensions	PU Piece	Article No.
M 8 x 50	100	355038
M 8 x 55	100	355046*
M 8 x 60	100	355054
M 8 x 65	100	094918*
M 8 x 70	50	355062
M 8 x 75	100	094919*
M 8 x 80	50	355070
M 8 x 85	100	094920*
M 8 x 90	100	133080*
M 8 x 95	100	094921*
M 8 x 100	50	169470*
M 8 x 110	50	094922*
M 8 x 120	50	094923*
M 10 x 16	100	109754
M 10 x 18	100	094924*
M 10 x 20	100	109762
M 10 x 25	100	109770
M 10 x 30	100	355089
M 10 x 35	100	355097
M 10 x 40	100	109797
M 10 x 45	100	355100*
M 10 x 50	50	355119
M 10 x 55	50	516953*
M 10 x 60	50	355127
M 10 x 65	50	094925*
M 10 x 70	100	355135
M 10 x 80	50	355143
M 10 x 90	50	355151*
M 10 x 100	100	355160
M 10 x 110	50	094926*
M 10 x 120	50	094928*

INTERNAL/Approved (2019-03-22 13:10:33)

Metric and inch screws

1

DIN 912, cylinder head, internal hexagon, stainless steel A2		
Dimensions	PU Piece	Article No.
M 12 x 20	50	355178*
M 12 x 25	50	355186
M 12 x 30	100	109800
M 12 x 35	50	355194
M 12 x 40	100	109819
M 12 x 45	50	355208*
M 12 x 50	100	355216
M 12 x 55	50	133081*
M 12 x 60	50	109827
M 12 x 65	50	094929*
M 12 x 70	50	355224
M 12 x 80	25	116035
M 12 x 90	25	133082*
M 12 x 100	25	157671
M 12 x 110	25	094930*
M 12 x 120	25	094931*
M 12 x 180	25	094932*
M 14 x 25	50	094933*
M 14 x 30	50	094934*
M 14 x 35	50	094936*
M 14 x 40	50	094937*
M 14 x 45	50	094938*
M 14 x 50	50	094939*
M 14 x 55	50	094940*
M 14 x 60	50	094941*
M 14 x 65	50	094942*
M 14 x 70	50	094943*
M 14 x 80	50	094944*
M 14 x 90	50	094945*
M 14 x 100	50	094946*
M 14 x 110	25	094947*

DIN 912, cylinder head, internal hexagon, stainless steel A2		
Dimensions	PU Piece	Article No.
M 14 x 120	25	094948*
M 14 x 130	25	094949*
M 14 x 140	25	094950*
M 16 x 25	25	094952*
M 16 x 30	25	109835*
M 16 x 35	25	133083*
M 16 x 40	25	109843*
M 16 x 45	25	133084*
M 16 x 50	25	116038*
M 16 x 55	25	133085*
M 16 x 60	25	109851*
M 16 x 65	25	094953*
M 16 x 70	25	116041*
M 16 x 80	25	116042*
M 16 x 90	25	133087*
M 16 x 100	25	090891*
M 16 x 110	25	094954*
M 16 x 120	25	094955*
M 16 x 130	25	094956*
M 16 x 140	25	094957*
M 16 x 150	25	094958*
M 18 x 35	25	094959*
M 18 x 45	25	094960*
M 18 x 50	25	094961*
M 18 x 55	25	094962*
M 18 x 60	25	094963*
M 18 x 65	25	094964*
M 18 x 70	25	094965*
M 18 x 80	25	094966*
M 18 x 90	25	094967*
M 18 x 100	25	094968*

DIN 912, cylinder head, internal hexagon, stainless steel A2		
Dimensions	PU Piece	Article No.
M 18 x 110	25	094969*
M 18 x 120	25	094970*
M 18 x 130	25	094971*
M 18 x 140	25	094972*
M 18 x 150	25	094973*
M 20 x 30	25	012135*
M 20 x 35	25	094974*
M 20 x 40	25	012137*
M 20 x 45	25	094975*
M 20 x 50	25	012187*
M 20 x 55	25	094976*
M 20 x 60	25	012372*
M 20 x 65	25	094977*
M 20 x 70	25	012387*
M 20 x 80	25	012447*
M 20 x 90	25	094979*
M 20 x 100	25	094980*
M 20 x 110	25	094981*
M 20 x 120	25	094982*
M 20 x 130	25	094983*
M 20 x 140	25	094984*
M 20 x 150	25	094985*
M 20 x 160	25	094986*
M 20 x 180	25	094987*
M 24 x 40	10	012566*
M 24 x 45	10	094988*
M 24 x 50	10	012872*
M 24 x 55	10	094989*
M 24 x 60	10	012919*
M 24 x 65	10	094990*
M 24 x 70	10	013022*

INTERNAL/Approved (2019-03-22 13:10:39)

Metric and inch screws

DIN 912, cylinder head, internal hexagon, stainless steel A2

Dimensions	PU Piece	Article No.
M 24 x 80	10	013103*
M 24 x 90	10	094991*
M 24 x 100	10	094992*
M 24 x 110	10	094993*

DIN 912, cylinder head, internal hexagon, stainless steel A2

Dimensions	PU Piece	Article No.
M 24 x 120	10	094995*
M 24 x 130	10	094996*
M 24 x 140	10	094997*
M 24 x 150	10	094998*

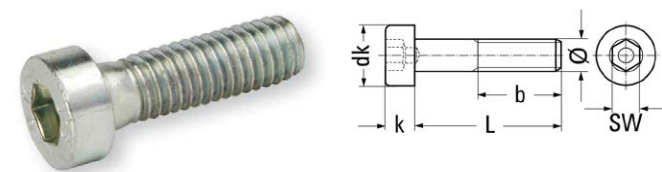
DIN 912, cylinder head, internal hexagon, stainless steel A2

Dimensions	PU Piece	Article No.
M 24 x 160	10	094999*
M 24 x 180	10	095000*

* = The delivery time is 14 days
AGR: 00.217

1

DIN 6912, cylinder head, internal hexagon, steel 8.8, zinc plated



Characteristics

- With low head and pilot recess

Thread	M 4	M 5	M 6	M 8	M 10
Thread Pitch mm	0.7 mm	0.8 mm	1 mm	1.25 mm	1.5 mm
Ø head	7 mm	8.5 mm	10 mm	13 mm	16 mm
Height Of Head (k)	2.8 mm	3.5 mm	4 mm	5 mm	6.5 mm
Drive	I6KT 3	I6KT 4	I6KT 5	I6KT 6	I6KT 8
Thread	M 12	M 14	M 16	M 20	M 24
Thread Pitch mm	1.75 mm	2 mm	2 mm	2.5 mm	3 mm
Ø head	18 mm	21 mm	24 mm	30 mm	36 mm
Height Of Head (k)	7.5 mm	8.5 mm	10 mm	12 mm	14 mm
Drive	I6KT 10	I6KT 12	I6KT 14	I6KT 17	I6KT 19
Thread	M 30				
Thread Pitch mm	3.5 mm				
Ø head	45 mm				
Height Of Head (k)	17.5 mm				
Drive	I6KT 22				

DIN 6912, cylinder head, internal hexagon, steel 8.8, zinc plated		
Dimensions	PU Piece	Article No.
M 5 x 10	100	161751*
M 5 x 12	100	161752*
M 5 x 16	100	161754
M 5 x 20	100	161755*
M 5 x 25	100	161757*
M 5 x 30	100	161758*
M 5 x 35	100	161759*
M 5 x 40	100	161760*
M 5 x 45	100	161761*
M 5 x 50	100	161762*

DIN 6912, cylinder head, internal hexagon, steel 8.8, zinc plated		
Dimensions	PU Piece	Article No.
M 6 x 10	100	161765
M 6 x 12	100	161766
M 6 x 16	500	126976*
M 6 x 20	100	105779*
M 6 x 25	100	161767
M 6 x 30	100	161768*
M 6 x 35	100	161769*
M 6 x 40	100	161770*
M 6 x 50	100	161772*
M 6 x 60	100	161773*

DIN 6912, cylinder head, internal hexagon, steel 8.8, zinc plated		
Dimensions	PU Piece	Article No.
M 6 x 70	100	161775*
M 6 x 80	100	161774*
M 8 x 12	50	161776*
M 8 x 16	50	161777*
M 8 x 20	50	161778
M 8 x 25	50	161779
M 8 x 30	50	161781*
M 8 x 35	50	161782
M 8 x 40	50	161783*
M 8 x 50	50	161784

INTERNAL/Approved (2019-03-22 13:12:04)

Metric and inch screws

1

DIN 6912, cylinder head, internal hexagon, steel 8.8, zinc plated		
Dimensions	PU Piece	Article No.
M 8 x 60	50	161785*
M 8 x 70	50	161786*
M 8 x 80	50	161787*
M 10 x 16	25	161791*
M 10 x 20	25	161792*
M 10 x 25	25	161793*
M 10 x 30	25	161794*
M 10 x 35	25	161795*
M 10 x 40	25	161796*
M 10 x 45	25	161797*
M 10 x 50	25	161798*
M 10 x 60	25	161800*
M 10 x 70	25	161801*
M 12 x 20	25	161806*
M 12 x 25	25	161807*
M 12 x 30	25	161808*
M 12 x 35	25	161809*
M 12 x 40	25	161811*
M 12 x 45	25	161812*
M 12 x 50	25	161813*
M 12 x 60	25	161815*
M 12 x 100	25	161819*
M 14 x 60	50	127017*
M 16 x 40	10	161824*
M 16 x 45	10	161825*
M 16 x 50	10	161826*
M 16 x 60	10	161827*
x	100	161805*
x	100	126999*
x	100	127000*
x	50	127001*

DIN 6912, cylinder head, internal hexagon, steel 8.8, zinc plated		
Dimensions	PU Piece	Article No.
x	200	126996*
x	100	161799*
x	100	126997*
x	100	126998*
x	100	161803*
x	100	161804*
x	50	127003*
x	50	127004*
x	50	127005*
x	50	127006*
x	50	127009*
x	1	127010*
x	100	127002*
x	1	127011*
x	100	161814*
x	100	161816*
x	50	161817*
x	50	161818*
x	100	127012*
x	100	127013*
x	100	127014*
x	50	127015*
x	50	127016*
x	50	127018*
x	25	161831*
x	25	127020*
x	25	161832*
x	25	127021*
x	25	127022*
x	25	127023*
x	25	127024*

DIN 6912, cylinder head, internal hexagon, steel 8.8, zinc plated		
Dimensions	PU Piece	Article No.
x	25	127025*
x	25	127026*
x	50	161821*
x	50	161822*
x	50	161823*
x	50	161828*
x	50	161829*
x	25	161830*
x	25	127037*
x	25	127038*
x	25	127039*
x	25	127040*
x	25	127041*
x	25	127042*
x	10	127044*
x	10	127045*
x	10	127046*
x	1	127047*
x	25	127028*
x	25	127029*
x	25	127030*
x	25	127031*
x	25	127032*
x	25	127033*
x	25	127034*
x	25	127035*
x	25	127036*
x	1	127056*
x	1	127048*
x	1	127049*
x	1	127050*

INTERNAL/Approved (2019-03-22 13:12:32)

1

DIN 6912, cylinder head, internal hexagon, steel 8.8, zinc plated		
Dimensions	PU Piece	Article No.
x	1	127052*
x	1	127053*
x	1	127054*
x	1	127055*
x	1	127064*
x	1	127057*
x	1	127058*
x	1	127059*
x	1	127061*
x	1	127062*
x	1	127063*
x	500	126958*
x	500	126959*
x	500	126960*
x	500	126961
x	500	126962*
x	500	126963*
x	500	126964*

DIN 6912, cylinder head, internal hexagon, steel 8.8, zinc plated		
Dimensions	PU Piece	Article No.
x	500	126966*
x	500	126967*
x	500	126968*
x	500	126956*
x	500	126957*
x	500	126971*
x	200	126973*
x	200	161763*
x	500	126969*
x	500	126970*
x	200	126983*
x	200	126984*
x	200	126985*
x	500	126975*
x	500	126978*
x	500	126979*
x	200	161771*
x	200	126980*

DIN 6912, cylinder head, internal hexagon, steel 8.8, zinc plated		
Dimensions	PU Piece	Article No.
x	200	126981*
x	500	126974*
x	200	126982*
x	100	161789*
x	100	126994*
x	200	126986*
x	100	126995*
x	200	126987*
x	200	126988*
x	200	126989*
x	200	126990*
x	200	126991*
x	200	126992*
x	200	126993*
x	100	161788*

* = The delivery time is 30 days
AGR: 00.206

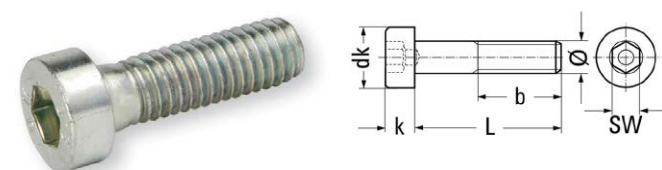
DIN 6912, cylinder head, internal hexagon, steel 10.9, zinc plated

Characteristics

- With low head and pilot recess

Hints

- Risk of hydrogen embrittlement: In galvanic coatings on high strength parts with a tensile strength of 1000 N / mm² (eg, 10.9, 12.9) and springy Share with hardness of 320 HV, the risk of hydrogen embrittlement (brittle fracture) can not be excluded with certainty - see technical information



INTERNAL/Approved (2019-03-22 13:12:51)

Thread	M 6	M 8	M 10	M 12	M 16
Thread Pitch mm	1 mm	1.25 mm	1.5 mm	1.75 mm	2 mm
Ø head	10 mm	13 mm	16 mm	18 mm	24 mm
Height Of Head (k)	4 mm	5 mm	6.5 mm	7.5 mm	10 mm
Drive	I6KT 5	I6KT 6	I6KT 8	I6KT 10	I6KT 14

DIN 6912, cylinder head, internal hexagon, steel 10.9, zinc plated		
Dimensions	PU Piece	Article No.
x	200	127074*
x	200	127075*
x	200	127076*
x	100	127077*
x	100	127078*
x	100	127079*
x	50	127080*

DIN 6912, cylinder head, internal hexagon, steel 10.9, zinc plated		
Dimensions	PU Piece	Article No.
x	50	127081*
x	50	127082*
x	500	127065*
x	500	127066*
x	500	127067*
x	500	127068*
x	500	127069*

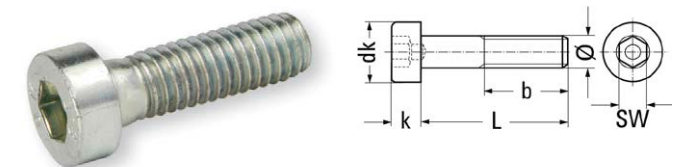
DIN 6912, cylinder head, internal hexagon, steel 10.9, zinc plated		
Dimensions	PU Piece	Article No.
x	200	127070*
x	200	127071*
x	200	127072*
x	200	127073*

* = The delivery time is 10 days
AGR: 00.206

DIN 6912, cylinder head, internal hexagon, stainless steel A2

Characteristics

- With low head and pilot recess



Metric and inch screws

1

Thread	M 4	M 5	M 6	M 8	M 10
Thread Pitch mm	0.7 mm	0.8 mm	1 mm	1.25 mm	1.5 mm
Ø head	7 mm	8.5 mm	10 mm	13 mm	16 mm
Height Of Head (k)	2.8 mm	3.5 mm	4 mm	5 mm	6.5 mm
Wrench Width	3 mm	4 mm	5 mm	6 mm	8 mm
Thread	M 12	M 16	M 20		
Thread Pitch mm	1.75 mm	2 mm	2.5 mm		
Ø head	18 mm	24 mm	30 mm		
Height Of Head (k)	7.5 mm	10 mm	12 mm		
Wrench Width	10 mm	14 mm	17 mm		

DIN 6912, cylinder head, internal hexagon, stainless steel A2

Dimensions	PU Piece	Article No.
M 4 x 8	1000	096031*
M 4 x 10	1000	096032*
M 4 x 12	1000	096033*
M 4 x 16	1000	096034*
M 4 x 20	500	096035*
M 4 x 25	500	096036*
M 4 x 30	500	096037*
M 4 x 35	200	096038*
M 4 x 40	200	096039*
M 5 x 8	500	096040*
M 5 x 10	500	096041*
M 5 x 12	500	096042*
M 5 x 16	500	096043
M 5 x 20	500	096044
M 5 x 25	200	096045*
M 5 x 30	200	096046
M 5 x 35	200	096047
M 5 x 40	200	096048
M 5 x 45	200	096049*

DIN 6912, cylinder head, internal hexagon, stainless steel A2

Dimensions	PU Piece	Article No.
M 5 x 50	200	096050
M 6 x 8	500	096051*
M 6 x 10	500	096052*
M 6 x 12	500	096053*
M 6 x 16	200	096054
M 6 x 18	200	096055*
M 6 x 20	200	096056
M 6 x 25	200	052963*
M 6 x 30	200	096057
M 6 x 35	200	096058*
M 6 x 40	200	096059
M 6 x 45	100	096060*
M 6 x 50	100	096061
M 6 x 55	100	096062*
M 6 x 60	100	096063*
M 6 x 70	100	096064*
M 6 x 80	100	096065*
M 8 x 10	500	096066*
M 8 x 12	500	096067*

DIN 6912, cylinder head, internal hexagon, stainless steel A2

Dimensions	PU Piece	Article No.
M 8 x 16	200	096068
M 8 x 20	200	096069
M 8 x 25	100	096070
M 8 x 30	100	096071
M 8 x 35	100	096072*
M 8 x 40	100	096073
M 8 x 45	100	096074*
M 8 x 50	100	096075
M 8 x 60	100	096076
M 8 x 70	100	096077*
M 8 x 80	100	096078*
M 8 x 100	50	096079*
M 10 x 16	100	096080
M 10 x 20	100	096081
M 10 x 25	100	096082
M 10 x 30	100	096083
M 10 x 35	100	096084*
M 10 x 40	100	096085
M 10 x 45	100	096086*

INTERNAL/Approved (2019-03-22 13:13:21)

Metric and inch screws

1

DIN 6912, cylinder head, internal hexagon, stainless steel A2		
Dimensions	PU Piece	Article No.
M 10 x 50	50	096087
M 10 x 55	50	096088*
M 10 x 60	50	096089
M 10 x 70	50	096090*
M 10 x 80	50	096091*
M 10 x 90	50	096092*
M 10 x 100	50	096093*
M 12 x 20	50	096094*
M 12 x 25	50	096095*
M 12 x 30	50	096096*
M 12 x 35	50	096097*
M 12 x 40	50	096098*
M 12 x 45	50	096099*
M 12 x 50	50	096100*
M 12 x 55	50	096101*
M 12 x 60	50	096102*

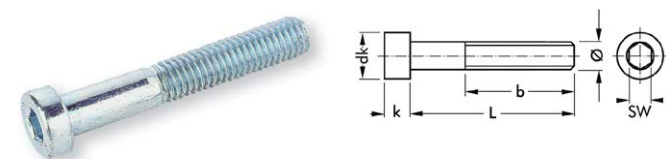
DIN 6912, cylinder head, internal hexagon, stainless steel A2		
Dimensions	PU Piece	Article No.
M 12 x 70	50	096103*
M 12 x 80	25	096104*
M 12 x 90	25	096105*
M 12 x 100	25	096106*
M 16 x 25	25	096107*
M 16 x 30	25	096108*
M 16 x 35	25	096109*
M 16 x 40	25	096110*
M 16 x 45	25	096111*
M 16 x 50	25	096112*
M 16 x 55	25	096114*
M 16 x 60	25	096115*
M 16 x 70	25	096116*
M 16 x 80	25	096117*
M 16 x 90	25	096118*
M 16 x 100	25	096119*

DIN 6912, cylinder head, internal hexagon, stainless steel A2		
Dimensions	PU Piece	Article No.
M 16 x 140	25	096120*
M 16 x 150	25	096122*
M 20 x 35	25	096123*
M 20 x 40	25	096124*
M 20 x 45	25	096125*
M 20 x 50	25	096126*
M 20 x 55	25	096127*
M 20 x 60	25	096128*
M 20 x 70	25	096129*
M 20 x 80	25	096130*
M 20 x 90	25	096131*
M 20 x 100	25	096132*
M 20 x 120	25	096133*

* = The delivery time is 14 days
AGR: 00.208

1

DIN 7984, cylinder head, internal hexagon, steel 8.8, zinc plated



Characteristics

- With low head

Thread	M 3	M 4	M 5	M 6	M 8
Thread Pitch mm	0.5 mm	0.7 mm	0.8 mm	1 mm	1.25 mm
Ø head	5.5 mm	7 mm	8.5 mm	10 mm	13 mm
Height Of Head (k)	2 mm	2.5 mm	3.5 mm	4 mm	5 mm
Drive	I6KT	I6KT	I6KT	I6KT	I6KT
Thread	M 10	M 12	M 12	M 16	M 20
Thread Pitch mm	1.5 mm	1.75 mm	1.75 mm	2 mm	2.5 mm
Ø head	16 mm	18 mm	18 mm	24 mm	30 mm
Height Of Head (k)	6 mm	7 mm	7 mm	9 mm	11 mm
Drive	I6KT 7	I6KT 8	I6KT	I6KT	I6KT
Thread	M 24				
Thread Pitch mm	3 mm				
Ø head	36 mm				
Height Of Head (k)	13 mm				
Drive	I6KT				

DIN 7984, cylinder head, internal hexagon, steel 8.8, zinc plated		
Dimensions	PU Piece	Article No.

M 10 x 12	200	128016*
M 10 x 16	200	128017*
M 10 x 18	200	128018*
M 10 x 20	200	128019*
M 10 x 25	200	128020*
M 10 x 30	200	128021*
M 10 x 35	100	128022*
M 10 x 40	100	128023*
M 10 x 45	100	128024*
M 10 x 50	100	128025*

DIN 7984, cylinder head, internal hexagon, steel 8.8, zinc plated		
Dimensions	PU Piece	Article No.

M 10 x 55	100	128026*
M 10 x 60	100	128027*
M 10 x 65	100	128028*
M 10 x 70	100	128029*
M 10 x 80	100	128030*
M 10 x 90	100	128031*
M 10 x 100	100	128032*
M 12 x 16	100	128033*
x	100	128034*
x	100	128035*

DIN 7984, cylinder head, internal hexagon, steel 8.8, zinc plated		
Dimensions	PU Piece	Article No.

x	100	128036*
x	100	128037*
x	100	128038*
x	100	128039*
x	100	128040*
x	100	128041*
x	100	128042*
x	50	128043*
x	50	128044*
x	25	128057*

INTERNAL/Approved (2019-03-22 13:13:59)

Metric and inch screws

1

DIN 7984, cylinder head, internal hexagon, steel 8.8, zinc plated		
Dimensions	PU Piece	Article No.
x	25	128058*
x	50	128045*
x	50	128046*
x	50	128047*
x	50	128048*
x	50	128049*
x	50	128050*
x	50	128051*
x	50	128052*
x	50	128053*
x	25	128054*
x	25	128055*
x	25	128056*
x	25	128059*
x	25	128060*
x	25	128061*
x	25	128062*
x	25	128063*
x	25	128064*
x	25	128065*
x	25	128066*
x	25	128067*
x	1	128073*
x	1	128068*
x	1	128069*
x	1	128070*
x	1	128071*
x	1	128072*
x	500	127938*
x	500	127939*
x	500	127940*

DIN 7984, cylinder head, internal hexagon, steel 8.8, zinc plated		
Dimensions	PU Piece	Article No.
x	500	127941*
x	500	127942*
x	500	127943*
x	500	127935*
x	500	127936*
x	500	127937*
x	500	127946*
x	500	127947*
x	500	127948*
x	500	127950*
x	500	127951*
x	500	127952*
x	500	127954*
x	500	127955*
x	500	127956*
x	500	127944*
x	500	127945*
x	500	127960*
x	500	127961*
x	500	127962*
x	500	127963*
x	500	127964*
x	500	127966*
x	500	127967*
x	200	127968*
x	200	127969*
x	200	127970*
x	200	127971*
x	200	127972*
x	200	127974*
x	500	127958*

DIN 7984, cylinder head, internal hexagon, steel 8.8, zinc plated		
Dimensions	PU Piece	Article No.
x	500	127959*
x	500	127976*
x	500	127977*
x	500	127978*
x	500	127979*
x	500	127980*
x	500	127982*
x	500	127983*
x	500	127984*
x	200	127985*
x	200	127986*
x	200	127987*
x	200	127988*
x	200	127989*
x	200	127991*
x	200	127992*
x	200	127993*
x	200	127994*
x	500	127975*
x	100	128015*
x	200	127995*
x	200	127996*
x	200	127997*
x	200	127998*
x	200	127999*
x	200	128000*
x	200	128001*
x	200	128002*
x	200	128003*
x	200	128004*
x	200	128005*

INTERNAL/Approved (2019-03-22 13:14:21)

Metric and inch screws

1

DIN 7984, cylinder head, internal hexagon, steel 8.8, zinc plated

Dimensions	PU Piece	Article No.
x	200	128006*
x	200	128008*
x	200	128009*

DIN 7984, cylinder head, internal hexagon, steel 8.8, zinc plated

Dimensions	PU Piece	Article No.
x	200	128010*
x	200	128011*
x	200	128012*

DIN 7984, cylinder head, internal hexagon, steel 8.8, zinc plated

Dimensions	PU Piece	Article No.
x	200	128013*
x	100	128014*

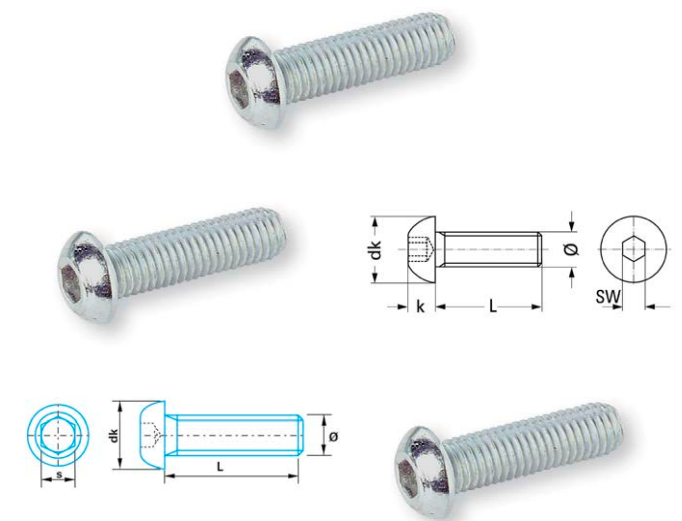
* = The delivery time is 10 days
AGR: 00.205

ISO 7380-1, flat head, internal hexagon, steel 10.9, zinc plated

- Electro-plated version: Quality 10.9
- Pan head with hexagon drive and metric

Hints

- Risk of hydrogen embrittlement: In galvanic coatings on high strength parts with a tensile strength of 1000 N / mm² (eg, 10.9, 12.9) and springy Share with hardness of 320 HV, the risk of hydrogen embrittlement (brittle fracture) can not be excluded with certainty - see technical information



Thread	M 3	M 4	M 5	M 6	M 8
Thread Pitch mm	0.5 mm	0.7 mm	0.8 mm	1 mm	1.25 mm
Ø head	5.7 mm	7.6 mm	9.5 mm	10.5 mm	14 mm
Height Of Head (k)	1.65 mm	2.2 mm	2.75 mm	3.3 mm	4.4 mm
Drive	I6KT 2	I6KT 2.5	I6KT 3	I6KT 4	I6KT 5
Thread	M 10	M 12	M 16		
Thread Pitch mm	1.5 mm	1.75 mm	2 mm		
Ø head	17.5 mm	21 mm	28 mm		
Height Of Head (k)	5.5 mm	6.6 mm	8.8 mm		
Drive	I6KT 6	I6KT 8	I6KT 10		

INTERNAL/Approved (2019-03-22 13:14:47)

ISO 7380-1, flat head, internal hexagon, steel 10.9, zinc plated		
Dimensions	PU Piece	Article No.
M 4 x 8	500	144189*
M 4 x 10	100	030425*
M 4 x 12	100	144187*
M 4 x 16	100	030426*
M 4 x 20	100	144188*
M 4 x 30	100	161931*
M 5 x 10	100/300	030427*
M 5 x 12	100	144190*

ISO 7380-1, flat head, internal hexagon, steel 10.9, zinc plated		
Dimensions	PU Piece	Article No.
M 5 x 16	100	030428*
M 5 x 20	100	031794*
M 5 x 25	100	031795*
M 5 x 30	100	144191*
M 6 x 10	100	144192*
M 6 x 12	100	052667*
M 6 x 16	100	030429
M 6 x 20	100	052668*

ISO 7380-1, flat head, internal hexagon, steel 10.9, zinc plated		
Dimensions	PU Piece	Article No.
M 6 x 25	100	030431*
M 6 x 30	100	031796*
M 8 x 10	50	161932*
M 8 x 12	50	144194*
M 8 x 16	50	030432*
M 8 x 20	50	102306
M 8 x 25	50	030434*
M 8 x 30	50	031797*

Metric and inch screws

1

ISO 7380-1, flat head, internal hexagon, steel 10.9, zinc plated

Dimensions	PU Piece	Article No.
M 8 x 40	50	144195
M 10 x 16	25	102295*
M 10 x 20	200	102299*
M 10 x 25	25	102303*
M 10 x 30	50	144196*
M 10 x 40	50	161933*
M 10 x 50	25	161934*
x	100	062971*
x	100	127098*
x	100	127099*
x	100	062972*
x	100	127100*
x	100	127101*
x	100	127102*
x	100	127103*
x	100	127104*
x	100	127105*
x	100	127106*
x	100	127107*
x	100	127108*
x	100	127109*

ISO 7380-1, flat head, internal hexagon, steel 10.9, zinc plated

Dimensions	PU Piece	Article No.
x	100	127110*
x	100	127111*
x	50	127112*
x	50	127113*
x	50	127114*
x	500	030424*
x	500	062941*
x	500	062942*
x	500	062943*
x	500	127084*
x	500	127085*
x	500	127083*
x	500	062938*
x	500	030423*
x	500	161930*
x	500	062950*
x	500	127087*
x	500	062945*
x	500	127088*
x	200	062955*
x	200	062956*

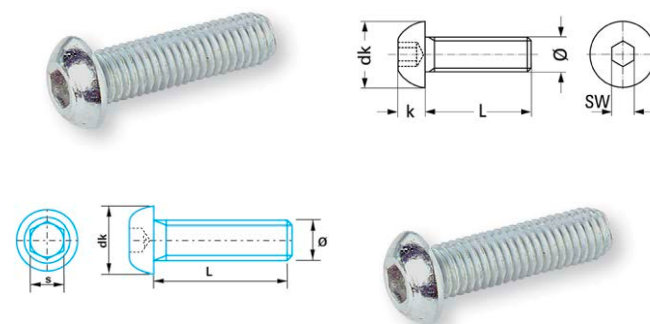
ISO 7380-1, flat head, internal hexagon, steel 10.9, zinc plated

Dimensions	PU Piece	Article No.
x	200	127089*
x	500	062953*
x	500	127090*
x	500	127091*
x	200	062961*
x	200	062962*
x	200	127092*
x	200	062963*
x	200	127093*
x	200	062964*
x	500	062958*
x	200	127095*
x	200	127096*
x	200	062966*
x	200	062967*
x	200	062968*
x	200	127097*
x	200	062969*
x	200	127094*
x	200	062970*

* = The delivery time is 30 days
AGR: 00.296

ISO 7380-1, flat head, internal hexagon, stainless steel A2

- Stainless Steel version: A2
- Pan head with hexagon drive and metric thread



INTERNAL/Approved (2019-03-22 13:15:14)

Metric and inch screws



Thread	M 3	M 4	M 5	M 6	M 8
Thread Pitch mm	0.5 mm	0.7 mm	0.8 mm	1 mm	1.25 mm
Ø head	5.7 mm	7.6 mm	9.5 mm	10.5 mm	14 mm
Height Of Head (k)	1.65 mm	2.2 mm	2.75 mm	3.3 mm	4.4 mm
Drive	I6KT 2	I6KT 2.5	I6KT 3	I6KT 4	I6KT 5
Thread	M 10	M 12			
Thread Pitch mm	1.5 mm	1.75 mm			
Ø head	17.5 mm	21 mm			
Height Of Head (k)	5.5 mm	6.6 mm			
Drive	I6KT 6	I6KT 8			

ISO 7380-1, flat head, internal hexagon, stainless steel A2		
Dimensions	PU Piece	Article No.
M 3 x 6	1000	096134*
M 3 x 8	1000	096135*
M 3 x 10	1000	096136*
M 3 x 12	1000	096137*
M 3 x 16	1000	096138*
M 3 x 20	1000	096139*
M 4 x 6	1000	096140*
M 4 x 8	1000	039907*
M 4 x 10	200	039908
M 4 x 12	200	039909
M 4 x 16	100	018187
M 4 x 20	100	034337
M 4 x 25	100	018188
M 4 x 30	100	034338
M 5 x 8	500	018189*
M 5 x 10	200	039910
M 5 x 12	200	039911

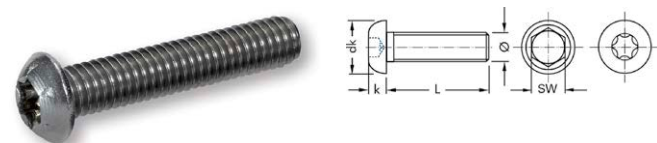
ISO 7380-1, flat head, internal hexagon, stainless steel A2		
Dimensions	PU Piece	Article No.
M 5 x 16	200	039912
M 5 x 20	100	039913
M 5 x 25	100	039914
M 5 x 30	100	039915
M 6 x 8	500	018193*
M 6 x 10	100	018194
M 6 x 12	100	039916
M 6 x 16	100	039917
M 6 x 20	100	039918
M 6 x 25	100	039919
M 6 x 30	100	039920
M 6 x 35	200	061912
M 6 x 40	100	039921
M 6 x 50	100	034348
M 8 x 10	100	018196
M 8 x 12	100	018197
M 8 x 16	100	039922

ISO 7380-1, flat head, internal hexagon, stainless steel A2		
Dimensions	PU Piece	Article No.
M 8 x 20	100	039923
M 8 x 25	100	039924
M 8 x 30	100	039925
M 8 x 35	100	018204
M 8 x 40	100	039926
M 8 x 45	100	018206*
M 8 x 50	100	039927
M 10 x 12	100	018208*
M 10 x 16	100	018209*
M 10 x 20	50	039928
M 10 x 25	100	018212
M 10 x 30	50	039929*
M 10 x 35	100	018214*
M 10 x 40	50	039930*
M 12 x 30	100	013283*
M 12 x 40	100	013834*

* = The delivery time is 14 days
AGR: 00.297

INTERNAL/Approved (2019-03-22 13:15:53)

similar ISO 7380-1, flat head, TX, stainless steel A2



Thread	M 3	M 4	M 5	M 6	M 8
Thread Pitch mm	0.5 mm	0.7 mm	0.8 mm	1 mm	1.25 mm
Ø head	5.7 mm	7.6 mm	9.5 mm	10.5 mm	14 mm
Height Of Head (k)	1.65 mm	2.2 mm	2.75 mm	3.3 mm	4.4 mm
Drive	TX 10	TX 20	TX 25	TX 30	TX 40

similar ISO 7380-1, flat head, TX, stainless steel A2		
Dimensions	PU Piece	Article No.
M 3 x 5	500	096142*
M 3 x 6	500	096143*
M 3 x 8	500	096144*
M 3 x 10	1000	096145*
M 3 x 12	1000	096146*
M 3 x 16	1000	096147*
M 3 x 20	1000	096148*
M 4 x 6	500	096150*
M 4 x 8	500	096151*
M 4 x 10	1000	096152*
M 4 x 12	1000	096153*
M 4 x 16	1000	096154*
M 4 x 20	500	096155*
M 4 x 25	500	096157*
M 4 x 30	500	096158*

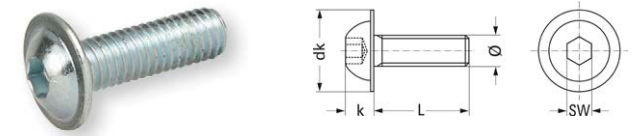
similar ISO 7380-1, flat head, TX, stainless steel A2		
Dimensions	PU Piece	Article No.
M 5 x 6	500	096159*
M 5 x 8	500	096160*
M 5 x 10	500	096161*
M 5 x 12	500	096162*
M 5 x 16	500	096163*
M 5 x 20	500	096165*
M 5 x 25	500	096166*
M 5 x 30	500	096167*
M 5 x 35	500	096168*
M 5 x 40	500	096169*
M 6 x 8	500	096170*
M 6 x 10	500	096171*
M 6 x 12	500	096173*
M 6 x 14	500	096174*
M 6 x 16	500	096175*

similar ISO 7380-1, flat head, TX, stainless steel A2		
Dimensions	PU Piece	Article No.
M 6 x 20	500	096176*
M 6 x 25	200	096177*
M 6 x 30	200	096178*
M 8 x 10	200	096179*
M 8 x 12	200	096180*
M 8 x 16	200	096181*
M 8 x 20	200	096182*
M 8 x 25	200	096183*
M 8 x 30	200	096184*
M 8 x 35	200	096185*
M 8 x 40	200	096186*
M 8 x 45	200	096187*
M 8 x 50	200	096188*
M 8 x 55	200	096189*
M 8 x 60	200	096190*

* = The delivery time is 14 days

AGR: 00.297

ISO 7380-2, flat head with flange, internal hexagon, steel 10.9, zinc plated



Hints

- Risk of hydrogen embrittlement: In galvanic coatings on high strength parts with a tensile strength of 1000 N / mm² (eg, 10.9, 12.9) and springy Share with hardness of 320 HV, the risk of hydrogen embrittlement (brittle fracture) can not be excluded with certainty - see technical information

Thread	M 3	M 4	M 5	M 6	M 8
Thread Pitch mm	0.5 mm	0.7 mm	0.8 mm	1 mm	1.25 mm
Ø head				13 mm	17.1 mm
Height Of Head (k)	1.65 mm	2.2 mm	2.75 mm	3.3 mm	4.4 mm
Wrench Width	2 mm	2.5 mm	3 mm	4 mm	5 mm
Thread	M 10	M 12			
Thread Pitch mm	1.5 mm	1.75 mm			
Ø head					
Height Of Head (k)	5.5 mm	6.6 mm			
Wrench Width	6 mm	8 mm			

ISO 7380-2, flat head with flange, internal hexagon, steel 10.9, zinc plated

Dimensions	PU Piece	Article No.
M 3 x 12	500	127118*
M 4 x 8	200	011844*
M 4 x 10	200	011845*
M 4 x 12	200	011846*
M 4 x 16	200	011847*
M 5 x 10	200	011843*
M 5 x 12	200	011848*
M 5 x 16	200	011849*
M 5 x 20	200	011850*

ISO 7380-2, flat head with flange, internal hexagon, steel 10.9, zinc plated

Dimensions	PU Piece	Article No.
M 5 x 30	200	011851*
M 6 x 10	200	011852*
M 6 x 12	200	011855*
M 6 x 16	200	011856*
M 6 x 20	200	011857
M 6 x 25	500	127129*
M 6 x 30	200	011858
M 6 x 40	200	011859*
M 8 x 16	100	011861*

ISO 7380-2, flat head with flange, internal hexagon, steel 10.9, zinc plated

Dimensions	PU Piece	Article No.
M 8 x 20	100	011862*
M 8 x 25	100	011865*
M 8 x 30	100	011866*
M 8 x 40	100	011868*
M 10 x 20	200	127138*
x	200	127139
x	100	127140*
x	100	127141*
x	100	127142*

INTERNAL/Approved (2019-03-22 13:16:26)

Metric and inch screws

1

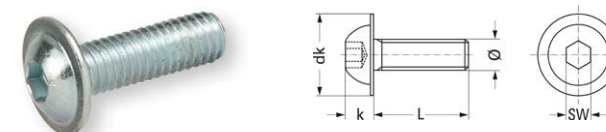
ISO 7380-2, flat head with flange, internal hexagon, steel 10.9, zinc plated		
Dimensions	PU Piece	Article No.
x	100	127143*
x	100	127144*
x	100	127145*
x	100	127146*
x	100	127147*
x	100	127148*
x	500	127117*
x	500	127115*
x	500	127116*
x	500	127120*

ISO 7380-2, flat head with flange, internal hexagon, steel 10.9, zinc plated		
Dimensions	PU Piece	Article No.
x	500	127121*
x	500	127122*
x	500	127119*
x	500	127125*
x	200	127126*
x	500	127123*
x	500	127124*
x	500	127128*
x	500	127130*
x	200	127131*

ISO 7380-2, flat head with flange, internal hexagon, steel 10.9, zinc plated		
Dimensions	PU Piece	Article No.
x	200	127132*
x	200	127133*
x	500	127127*
x	200	011860*
x	200	127134*
x	200	127135*
x	200	011867*
x	200	127136*
x	200	127137*

* = The delivery time is 30 days
AGR: 00.296

ISO 7380-2, flat head with flange, internal hexagon, stainless steel A2



Thread	M 3	M 4	M 5	M 6	M 8
Thread Pitch mm	0.5 mm	0.7 mm	0.8 mm	1 mm	1.25 mm
Ø head	6.9 mm	9.4 mm	11.8 mm	13.6 mm	17.8 mm
Height Of Head (k)	1.65 mm	2.2 mm	2.75 mm	3.3 mm	4.4 mm
Wrench Width	2 mm	2.5 mm	3 mm	4 mm	5 mm
Thread	M 10				
Thread Pitch mm	1.5 mm				
Ø head	21.9 mm				
Height Of Head (k)	5.5 mm				
Wrench Width	6 mm				

INTERNAL/Approved (2019-03-22 13:16:40)

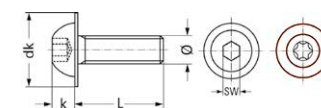
ISO 7380-2, flat head with flange, internal hexagon, stainless steel A2		
Dimensions	PU Piece	Article No.
M 3 x 6	1000	096191*
M 3 x 8	1000	096192*
M 3 x 10	1000	096193*
M 3 x 12	1000	096194*
M 3 x 16	1000	096195*
M 3 x 20	1000	096196*
M 4 x 6	1000	096197*
M 4 x 8	1000	018217*
M 4 x 10	1000	018218*
M 4 x 12	1000	018219*
M 4 x 16	1000	018220*
M 4 x 20	500	034349*
M 4 x 25	500	018221*
M 4 x 30	500	034350*
M 5 x 8	500	018222*
M 5 x 10	100	034351
M 5 x 12	100	018223
M 5 x 16	100	018224
M 5 x 20	100	034352

ISO 7380-2, flat head with flange, internal hexagon, stainless steel A2		
Dimensions	PU Piece	Article No.
M 5 x 25	100	034353
M 5 x 30	100	034354
M 5 x 35	200	096198*
M 5 x 40	200	096199*
M 6 x 6	500	096200*
M 6 x 8	500	018225*
M 6 x 10	100	018226
M 6 x 12	100	018227
M 6 x 14	200	096201*
M 6 x 16	100	034355
M 6 x 20	100	034356
M 6 x 25	100	034357
M 6 x 30	100	034358
M 6 x 35	200	096202*
M 6 x 40	100	034359
M 6 x 50	100	034360*
M 6 x 55	100	096203*
M 6 x 60	100	096204*
M 8 x 10	500	018229*

ISO 7380-2, flat head with flange, internal hexagon, stainless steel A2		
Dimensions	PU Piece	Article No.
M 8 x 12	500	018230*
M 8 x 16	100	018231
M 8 x 20	100	018232
M 8 x 25	100	018233
M 8 x 30	100	018234
M 8 x 35	100	018235*
M 8 x 40	100	018237
M 8 x 50	100	018239
M 10 x 12	100	096205*
M 10 x 16	100	096206*
M 10 x 20	100	096207*
M 10 x 25	100	096208*
M 10 x 30	100	096209*
M 10 x 35	100	096210*
M 10 x 40	100	096211*
M 10 x 45	100	096212*

* = The delivery time is 14 days
 AGR: 00.296 / 00.297

similar ISO 7380-2, flat head with flange, TX, stainless steel A2



Metric and inch screws

1

Thread	M 3	M 4	M 5	M 6	M 8
Thread Pitch mm	0.5 mm	0.7 mm	0.8 mm	1 mm	1.25 mm
Ø collar	6.9 mm	9.4 mm	11.8 mm	13.6 mm	17.8 mm
Height Of Head (k)	1.65 mm	2.2 mm	2.75 mm	3.3 mm	4.4 mm
Drive	TX 10	TX 20	TX 25	TX 30	TX 40

similar ISO 7380-2, flat head with flange, TX, stainless steel A2

Dimensions	PU Piece	Article No.
M 3 x 5	1000	096213*
M 3 x 6	1000	096214*
M 3 x 8	1000	096215*
M 3 x 10	1000	096216*
M 3 x 12	1000	096217*
M 3 x 16	1000	096218*
M 3 x 20	1000	096219*
M 3 x 25	1000	096220*
M 4 x 8	1000	096222*
M 4 x 16	1000	096225
M 4 x 20	500	096226
M 4 x 25	500	096227
M 4 x 30	500	096228
M 5 x 6	500	096229*

similar ISO 7380-2, flat head with flange, TX, stainless steel A2

Dimensions	PU Piece	Article No.
M 5 x 8	500	096230*
M 5 x 10	500	096231
M 5 x 12	500	096232
M 5 x 16	500	096233
M 5 x 20	500	096234
M 5 x 25	500	096235
M 5 x 30	200	096236
M 5 x 35	200	096237*
M 5 x 40	200	096238*
M 6 x 8	500	096239*
M 6 x 10	500	096240
M 6 x 12	500	096241
M 6 x 14	500	096242*
M 6 x 16	200	096243

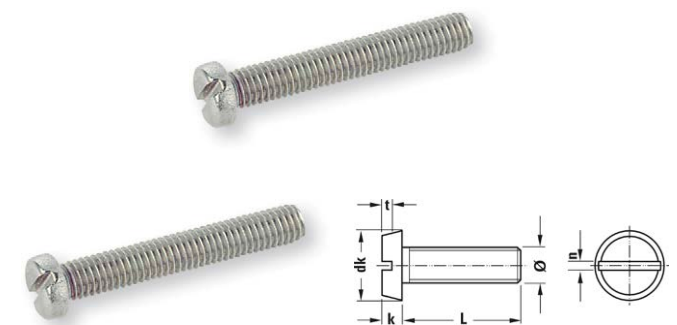
similar ISO 7380-2, flat head with flange, TX, stainless steel A2

Dimensions	PU Piece	Article No.
M 6 x 20	200	096244
M 6 x 25	200	096245
M 6 x 30	200	096246
M 8 x 10	200	096247*
M 8 x 12	200	096248
M 8 x 16	200	096249
M 8 x 20	200	096250
M 8 x 25	100	096251
M 8 x 30	100	096252
M 8 x 35	100	096253*
M 8 x 40	100	096254*
M 8 x 45	100	096255*
M 8 x 50	100	096256*

* = The delivery time is 14 days
AGR: 00.297

DIN 84, cylinder head, slot, steel 4.8, zinc plated

- Electro-galvanized: Quality 4.8
- Cylinder head with cut and metric thread



Thread	M 2	M 2.5	M 3	M 3.5	M 4
Thread Pitch mm	0.4 mm	0.45 mm	0.5 mm	0.6 mm	0.7 mm
Ø head	3.8 mm	4.5 mm	5.5 mm	6 mm	7 mm
Height Of Head (k)	1.3 mm	1.6 mm	2 mm	2.4 mm	2.6 mm
Thread	M 5	M 6	M 8	M 10	M 12
Thread Pitch mm	0.8 mm	1 mm	1.25 mm	1.5 mm	1.75 mm
Ø head	8.5 mm	10 mm	13 mm	16 mm	18 mm
Height Of Head (k)	3.3 mm	3.9 mm	5 mm	6 mm	7 mm

DIN 84, cylinder head, slot, steel 4.8, zinc plated		
Dimensions	PU Piece	Article No.
M 2 x 3	200	128790*
M 2 x 4	200	122814*
M 2 x 5	200	122815*
M 2 x 6	200	122816*
M 2 x 8	200	122817*
M 2 x 10	200	122818*
M 2 x 12	200	122820*
M 2 x 16	200	122823*
M 2 x 18	200	122831*
M 2 x 20	200	122840*
M 2 x 30	200	122841*
M 2.5 x 3	200	122858*
M 2.5 x 5	200	122859*
M 2.5 x 12	200	122862*
M 2.5 x 16	200	122866*

DIN 84, cylinder head, slot, steel 4.8, zinc plated		
Dimensions	PU Piece	Article No.
M 2.5 x 18	200	122872*
M 2.5 x 20	200	122874*
M 2.5 x 30	200	122882*
M 3 x 3	200	122890*
M 3 x 4	200	072214*
M 3 x 5	200	072222*
M 3 x 6	200	072230
M 3 x 8	200	072249
M 3 x 10	200	072257
M 3 x 12	200	072265
M 3 x 16	200	072273
M 3 x 18	200	122904*
M 3 x 20	200	072281
M 3 x 22	200	122911*
M 3 x 25	200	072290

DIN 84, cylinder head, slot, steel 4.8, zinc plated		
Dimensions	PU Piece	Article No.
M 3 x 28	200	122912*
M 3 x 30	200	072303
M 3 x 35	200	072311*
M 3 x 40	200	072320
M 3 x 50	200	933667
M 3 x 55	200	122913*
M 3 x 60	200	122918*
M 3.5 x 5	200	122920*
M 3.5 x 6	200	122939*
M 3.5 x 10	200	122940*
M 3.5 x 16	200	122941*
M 3.5 x 18	200	122942*
M 3.5 x 25	200	122943*
M 3.5 x 30	200	122945*
M 3.5 x 35	200	122946*

INTERNAL/Approved (2019-03-22 13:17:43)

Metric and inch screws

1

DIN 84, cylinder head, slot, steel 4.8, zinc plated		
Dimensions	PU Piece	Article No.
M 3.5 x 40	200	122947*
M 3.5 x 45	200	122948*
M 3.5 x 50	200	122949*
M 4 x 4	200	122950*
M 4 x 5	200	072389*
M 4 x 6	200	072397
M 4 x 8	200	072400
M 4 x 10	200	072419
M 4 x 12	200	072427
M 4 x 14	200	122951*
M 4 x 16	200	072435
M 4 x 18	200	122952*
M 4 x 20	200	072451
M 4 x 22	200	122953*
M 4 x 25	200	072460
M 4 x 28	200	122963*
M 4 x 30	200	072478
M 4 x 35	200	072486
M 4 x 40	200	072494
M 4 x 45	100	072540*
M 4 x 50	200	072621
M 4 x 60	200	310565
M 4 x 65	100	122980*
M 4 x 90	100	122998*
M 4 x 100	100	123002*
M 5 x 6	200	072559
M 5 x 8	200	072567
M 5 x 10	200	072575
M 5 x 12	200	072583
M 5 x 14	200	123003*
M 5 x 16	200	072591

DIN 84, cylinder head, slot, steel 4.8, zinc plated		
Dimensions	PU Piece	Article No.
M 5 x 18	200	123005*
M 5 x 20	200	072613
M 5 x 22	200	123013*
M 5 x 25	200	072630
M 5 x 30	200	072648
M 5 x 35	200	072656
M 5 x 40	200	072664
M 5 x 45	200	072672
M 5 x 50	200	072680
M 5 x 55	200	072699*
M 5 x 60	200	072702
M 5 x 65	100	123021*
M 5 x 70	200	310581
M 5 x 80	200	310549
M 5 x 90	100	101439*
M 5 x 100	100	123030*
M 6 x 6	200	123034*
M 6 x 8	200	072729*
M 6 x 10	100	072753
M 6 x 12	100	072761
M 6 x 14	200	123038*
M 6 x 16	100	072770
M 6 x 18	200	123048*
M 6 x 20	100	072800
M 6 x 22	200	123056*
M 6 x 25	100	072818
M 6 x 30	100	072826
M 6 x 35	100	072788
M 6 x 40	100	072842
M 6 x 45	100	072796*
M 6 x 50	100	072869

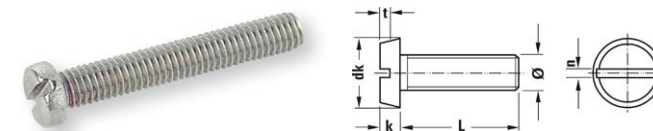
DIN 84, cylinder head, slot, steel 4.8, zinc plated		
Dimensions	PU Piece	Article No.
M 6 x 60	100	072885
M 6 x 65	200	123064*
M 6 x 70	100	310573*
M 6 x 80	100	507427
M 6 x 100	100	022267
M 8 x 10	100	072834*
M 8 x 12	100	123072*
M 8 x 16	100	072850*
M 8 x 18	100	123073*
M 8 x 20	50	072958
M 8 x 25	100	072966*
M 8 x 30	50	072974
M 8 x 35	100	072877*
M 8 x 40	50	072982
M 8 x 50	50	072990
M 8 x 60	50	073008
M 10 x 12	100	123099*
M 10 x 16	100	123102*
M 10 x 25	100	507392*
M 10 x 35	100	123128*
M 10 x 40	100	507396*
M 10 x 55	100	123130*
M 10 x 60	100	123132*
M 10 x 70	100	123133*
M 10 x 80	50	123134*
M 10 x 100	50	123136*
M 12 x 25	100	123138*
M 12 x 30	100	123140*
M 12 x 35	100	123141*
M 12 x 50	100	123144*

* = The delivery time is 10 days
AGR: 00.201

INTERNAL/Approved (2019-03-22 13:18:15)

DIN 84, cylinder head, slot, stainless steel A2

- Stainless Steel version: Stainless Steel A2
- Slotted Cheese Head with metric thread



1

Thread	M 2	M 2.5	M 3	M 3.5	M 4
Thread Pitch mm	0.4 mm	0.45 mm	0.5 mm	0.6 mm	0.7 mm
Ø head	3.8 mm	4.5 mm	5.5 mm	6 mm	7 mm
Height Of Head (k)	1.3 mm	1.6 mm	2 mm	2.4 mm	2.6 mm
Thread	M 5	M 6	M 8	M 10	
Thread Pitch mm	0.8 mm	1 mm	1.25 mm	1.5 mm	
Ø head	8.5 mm	10 mm	13 mm	16 mm	
Height Of Head (k)	3.3 mm	3.9 mm	5 mm	6 mm	

DIN 84, cylinder head, slot, stainless steel A2		
Dimensions	PU Piece	Article No.
M 2 x 4	1000	094581*
M 2 x 5	1000	094582*
M 2 x 6	1000	094583*
M 2 x 8	1000	094584*
M 2 x 10	1000	094585*
M 2 x 18	1000	094586*
M 2.5 x 3	1000	094588*
M 2.5 x 4	1000	094589*
M 2.5 x 5	1000	094590*
M 2.5 x 6	1000	094591*
M 2.5 x 8	1000	094592*
M 2.5 x 10	1000	094593*
M 2.5 x 12	1000	094594*
M 2.5 x 14	1000	094596*
M 2.5 x 16	1000	094597*
M 2.5 x 18	1000	094598*

DIN 84, cylinder head, slot, stainless steel A2		
Dimensions	PU Piece	Article No.
M 2.5 x 20	500	094599*
M 2.5 x 22	500	094600*
M 3 x 3	500	094601*
M 3 x 4	500	094602*
M 3 x 5	500	094603*
M 3 x 6	500	355313*
M 3 x 8	500	355321*
M 3 x 10	500	225274*
M 3 x 12	500	355330*
M 3 x 14	500	094604*
M 3 x 16	500	225266*
M 3 x 18	500	094605*
M 3 x 20	500	355348*
M 3 x 22	500	094606*
M 3 x 25	500	225258*
M 3 x 30	500	355356*

DIN 84, cylinder head, slot, stainless steel A2		
Dimensions	PU Piece	Article No.
M 3 x 35	500	094607*
M 3 x 40	500	094608*
M 3 x 45	200	094609*
M 3 x 50	200	901353*
M 3 x 60	200	094610*
M 3.5 x 12	500	094611*
M 3.5 x 16	500	094612*
M 4 x 4	500	094613*
M 4 x 6	500	355372*
M 4 x 8	500	355380*
M 4 x 10	500	225240*
M 4 x 12	500	355399*
M 4 x 16	500	355402*
M 4 x 18	500	094614*
M 4 x 20	500	225231*
M 4 x 22	500	094615*

INTERNAL/Approved (2019-03-22 13:18:54)

Metric and inch screws

1

DIN 84, cylinder head, slot, stainless steel A2		
Dimensions	PU Piece	Article No.
M 4 x 25	500	355410*
M 4 x 30	500	225223*
M 4 x 35	500	355429*
M 4 x 40	500	518034*
M 4 x 45	500	094616*
M 4 x 50	500	913161*
M 4 x 55	500	094618*
M 4 x 60	500	017048*
M 5 x 6	500	094619*
M 5 x 8	500	355437*
M 5 x 10	500	355445*
M 5 x 12	500	225215*
M 5 x 16	500	225207*
M 5 x 18	500	094620*
M 5 x 20	500	325554*
M 5 x 22	500	094621*
M 5 x 25	500	225193*
M 5 x 30	500	355453*
M 5 x 35	500	355461*
M 5 x 40	500	225185*
M 5 x 45	200	094622*
M 5 x 50	200	355488*
M 5 x 55	200	094623*
M 5 x 60	200	355496*
M 5 x 65	200	094624*
M 5 x 70	200	026478*

DIN 84, cylinder head, slot, stainless steel A2		
Dimensions	PU Piece	Article No.
M 5 x 80	200	026479*
M 5 x 90	200	094625*
M 5 x 100	200	094626*
M 6 x 8	500	116064*
M 6 x 10	500	225177*
M 6 x 12	500	355500*
M 6 x 16	500	014769*
M 6 x 20	500	225169*
M 6 x 22	200	094627*
M 6 x 25	200	014771*
M 6 x 30	200	225150*
M 6 x 35	200	355518*
M 6 x 40	200	225142*
M 6 x 45	200	094628*
M 6 x 50	200	355526*
M 6 x 55	200	094629*
M 6 x 60	200	017058*
M 6 x 65	200	094630*
M 6 x 70	200	026481*
M 6 x 80	200	026482*
M 6 x 90	200	094631*
M 6 x 100	200	094632*
M 8 x 10	200	094634*
M 8 x 12	200	355542*
M 8 x 16	200	006312*
M 8 x 20	200	508187*

DIN 84, cylinder head, slot, stainless steel A2		
Dimensions	PU Piece	Article No.
M 8 x 25	200	355550*
M 8 x 30	200	355569*
M 8 x 40	200	355585*
M 8 x 45	200	094635*
M 8 x 50	200	355593*
M 8 x 60	100	025594*
M 8 x 70	100	025595*
M 8 x 80	100	025596*
M 8 x 90	100	094636*
M 8 x 100	100	094637*
M 10 x 16	100	094638*
M 10 x 20	100	094639*
M 10 x 25	100	094640*
M 10 x 30	100	094641*
M 10 x 35	100	094642*
M 10 x 40	100	094643*
M 10 x 45	100	094644*
M 10 x 50	100	094645*
M 10 x 60	100	094646*
M 10 x 70	50	094647*
M 10 x 80	50	094648*
M 10 x 90	50	094649*
M 10 x 100	50	094651*

* = The delivery time is 14 days
AGR: 00.203

DIN 85, flat head, slot, steel 4.8, zinc plated



1

Thread	M 3	M 4	M 5	M 6	M 8
Thread Pitch mm	0.5 mm	0.7 mm	0.8 mm	1 mm	1.25 mm
Ø head	6 mm	8 mm	10 mm	12 mm	16 mm
Height Of Head (k)	1.8 mm	2.4 mm	3 mm	3.6 mm	4.8 mm
Width slot	0.8 mm	1.2 mm	1.2 mm	1.6 mm	2 mm
Depth slot	0.7 mm	1 mm	1.2 mm	1.4 mm	1.9 mm

DIN 85, flat head, slot, steel 4.8, zinc plated			DIN 85, flat head, slot, steel 4.8, zinc plated			DIN 85, flat head, slot, steel 4.8, zinc plated		
Dimensions	PU Piece	Article No.	Dimensions	PU Piece	Article No.	Dimensions	PU Piece	Article No.
M 5 x 16	200	127666*	x	200	127653*	x	200	127662*
M 5 x 30	200	127669*	x	200	127654*	x	200	127663*
x	200	127632*	x	200	127656*	x	200	127681*
x	200	127633*	x	200	127657*	x	200	127682*
x	200	127634*	x	200	127658*	x	200	127683*
x	200	127635*	x	200	127659*	x	200	127684*
x	200	127636*	x	200	127660*	x	200	127685*
x	200	127637*	x	200	127646*	x	200	127686*
x	200	127638*	x	200	127661*	x	200	127687*
x	200	127639*	x	200	127648*	x	200	127688*
x	200	127640*	x	200	127649*	x	200	127689*
x	200	127628*	x	200	127664*	x	200	127690*
x	200	127644*	x	200	127665*	x	100	127692*
x	200	127629*	x	200	127667*	x	100	127693*
x	200	127645*	x	200	127668*	x	200	127676*
x	200	127630*	x	200	127670*	x	100	127694*
x	200	127631*	x	200	127671*	x	100	127695*
x	200	127650*	x	200	127673*	x	100	127701*
x	200	127651*	x	200	127674*	x	100	127704*
x	200	127652*	x	200	127675*	x	100	127705*

INTERNAL/Approved (2019-03-22 13:20:06)

1

DIN 85, flat head, slot, steel 4.8, zinc plated		
Dimensions	PU Piece	Article No.
x	100	127709*
x	100	127715*

DIN 85, flat head, slot, steel 4.8, zinc plated		
Dimensions	PU Piece	Article No.
x	100	127716*

AGR: 00.204

* = The delivery time is 10 days

DIN 85, flat head, slot, stainless steel A2



Thread	M 3	M 4	M 5	M 6	M 8
Thread Pitch mm	0.5 mm	0.7 mm	0.8 mm	1 mm	1.25 mm
Ø head	6 mm	8 mm	10 mm	12 mm	16 mm
Height Of Head (k)	1.8 mm	2.4 mm	3 mm	3.6 mm	4.8 mm
Width slot	0.8 mm	1.2 mm	1.2 mm	1.6 mm	2 mm
Depth slot	0.7 mm	1 mm	1.2 mm	1.4 mm	1.9 mm

DIN 85, flat head, slot, stainless steel A2		
Dimensions	PU Piece	Article No.
M 3 x 4	500	094652*
M 3 x 5	500	094653*
M 3 x 6	500	094654*
M 3 x 8	500	094655*
M 3 x 10	500	094656*
M 3 x 12	500	094657*
M 3 x 16	500	094658*
M 3 x 20	500	094659*
M 3 x 25	500	094660*
M 3 x 30	500	094661*
M 3 x 35	500	094662*
M 3 x 40	500	094663*
M 4 x 5	500	094664*

DIN 85, flat head, slot, stainless steel A2		
Dimensions	PU Piece	Article No.
M 4 x 6	500	094665*
M 4 x 8	500	094666*
M 4 x 10	500	094667*
M 4 x 12	500	094668*
M 4 x 16	500	094669*
M 4 x 20	500	094670*
M 4 x 22	500	094671*
M 4 x 25	500	094672*
M 4 x 30	500	094673*
M 4 x 35	500	094674*
M 4 x 40	500	094675*
M 4 x 45	500	094677*
M 4 x 50	500	094678*

DIN 85, flat head, slot, stainless steel A2		
Dimensions	PU Piece	Article No.
M 5 x 6	500	094679*
M 5 x 8	500	094680*
M 5 x 10	500	094681*
M 5 x 12	500	094682*
M 5 x 16	500	094683*
M 5 x 18	500	094685*
M 5 x 20	500	094686*
M 5 x 25	500	094687*
M 5 x 30	500	094688*
M 5 x 35	500	094689*
M 5 x 40	500	094690*
M 5 x 45	200	094691*
M 5 x 50	200	094693*

INTERNAL/Approved (2019-03-22 13:20:21)

Metric and inch screws

DIN 85, flat head, slot, stainless steel A2		
Dimensions	PU Piece	Article No.
M 5 x 60	200	094694*
M 5 x 70	200	094695*
M 6 x 8	500	094696*
M 6 x 10	500	094697*
M 6 x 12	500	094698*
M 6 x 16	500	094699*
M 6 x 20	500	094700*
M 6 x 25	200	094701*

DIN 85, flat head, slot, stainless steel A2		
Dimensions	PU Piece	Article No.
M 6 x 30	200	094702*
M 6 x 35	200	094703*
M 6 x 40	200	094704*
M 6 x 45	200	094705*
M 6 x 50	200	094707*
M 6 x 70	200	094708*
M 8 x 10	200	094709*
M 8 x 12	200	094710*

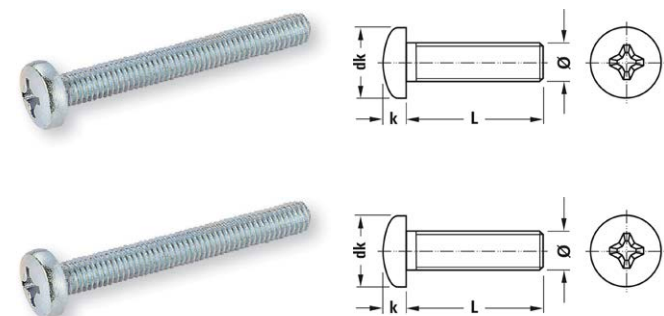
DIN 85, flat head, slot, stainless steel A2		
Dimensions	PU Piece	Article No.
M 8 x 16	200	094711*
M 8 x 20	200	094712*
M 8 x 25	200	094713*
M 8 x 30	200	094714*
M 8 x 35	200	094715*
M 8 x 40	200	094716*
M 8 x 50	200	094717*

* = The delivery time is 14 days
AGR: 00.204

1

DIN 7985, pan head, cross recess (PH), steel 4.8, zinc plated

- Electro-plated version: Quality 4.8
- Pan head with Philips drive and metric thread



Thread	M 2	M 2.5	M 3	M 3.5	M 4
Thread Pitch mm	0.4 mm	0.45 mm	0.5 mm	0.6 mm	0.7 mm
Ø head	4 mm	5 mm	6 mm	7 mm	8 mm
Height Of Head (k)	1.6 mm	2 mm	2.4 mm	2.7 mm	3.1 mm
Drive	PH 1	PH 1	PH 1	PH 2	PH 2
Thread	M 5	M 6	M 8	M 10	
Thread Pitch mm	0.8 mm	1 mm	1.25 mm	1.5 mm	
Ø head	10 mm	12 mm	16 mm	20 mm	
Height Of Head (k)	3.8 mm	4.6 mm	6 mm	7.5 mm	
Drive	PH 2	PH 3	PH 4	PH 4	

DIN 7985, pan head, cross recess (PH), steel 4.8, zinc plated

Dimensions	PU Piece	Article No.
M 3 x 6	100	078182*
M 3 x 8	200	078190
M 3 x 10	200	078204
M 3 x 12	100	078212*
M 3 x 16	200	078220
M 3 x 20	200	078247
M 3 x 25	200	078255
M 3 x 30	200	078263
M 3 x 35	100	163126*
M 3 x 40	100	546372*
M 4 x 5	200	511271*
M 4 x 6	200	078271

DIN 7985, pan head, cross recess (PH), steel 4.8, zinc plated

Dimensions	PU Piece	Article No.
M 4 x 8	200	078280
M 4 x 10	200	078298
M 4 x 12	200	078301
M 4 x 16	200	078310
M 4 x 20	200	078336
M 4 x 25	200	078344
M 4 x 30	200	078352
M 4 x 35	200	078360
M 4 x 40	200	078379
M 4 x 45	100	550272*
M 4 x 50	200	546593
M 4 x 60	200	017532

DIN 7985, pan head, cross recess (PH), steel 4.8, zinc plated

Dimensions	PU Piece	Article No.
M 4 x 70	500	017533*
M 5 x 8	100	078387*
M 5 x 10	200	078395
M 5 x 12	200	078409
M 5 x 16	200	078417
M 5 x 20	200	078433
M 5 x 25	200	078441
M 5 x 30	200	078450
M 5 x 35	200	078468
M 5 x 40	200	078476
M 5 x 45	100	546623*
M 5 x 50	200	547425

INTERNAL/Approved (2019-03-22 13:21:05)

Metric and inch screws

1

DIN 7985, pan head, cross recess (PH), steel 4.8, zinc plated		
Dimensions	PU Piece	Article No.
M 5 x 60	200	546631
M 5 x 70	200	017536
M 5 x 80	100	017538*
M 6 x 8	100	078484*
M 6 x 10	100	078492
M 6 x 12	100	078506
M 6 x 16	100	078514
M 6 x 20	100	078522
M 6 x 25	100	078530
M 6 x 30	100	078549
M 6 x 35	100	078557
M 6 x 40	100	078565
M 6 x 45	200	078573
M 6 x 50	100	078581
M 6 x 60	100	546682
M 6 x 70	100	017540*
M 6 x 80	100	546704
M 6 x 90	100	118066*
M 6 x 100	100	064870*
M 8 x 16	200	078590
M 8 x 20	200	078603
M 8 x 25	100	078611
M 8 x 30	100	078620*
M 8 x 40	100	546380
M 8 x 50	100	546550*
M 8 x 60	100	546577*
M 8 x 70	100	017546*

DIN 7985, pan head, cross recess (PH), steel 4.8, zinc plated		
Dimensions	PU Piece	Article No.
x	2000	127153*
x	200	127154*
x	200	127151*
x	200	127152*
x	200	137011*
x	200	127149*
x	200	127150*
x	2000	127162*
x	2000	127163*
x	200	127158*
x	200	127159*
x	200	127160*
x	200	127155*
x	200	127156*
x	200	127161*
x	200	127157*
x	200	127169*
x	200	127165*
x	200	127164*
x	500	127166*
x	500	127167*
x	200	127168*
x	200	127170*
x	200	127171*
x	200	127172*
x	1000	127173*
x	200	127174*

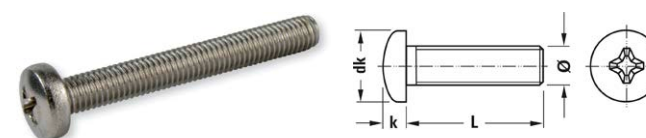
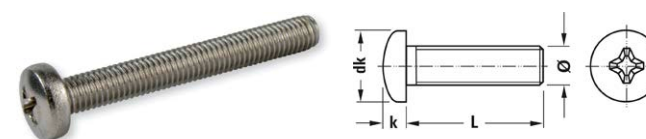
DIN 7985, pan head, cross recess (PH), steel 4.8, zinc plated		
Dimensions	PU Piece	Article No.
x	200	546801*
x	100	546810*
x	100	017547*
x	100	118067*
x	100	078646*
x	200	109544*
x	200	064861*
x	200	064862*
x	200	064863*
x	200	064864*
x	200	064860*
x	200	064856*
x	200	064857*
x	200	064858*
x	200	064859*
x	200	064854*
x	200	064855*
x	200	064865*
x	200	064866*
x	500	017534*
x	200	064867*
x	500	157233*
x	200	546615*
x	200	064869*
x	200	064868*
x	200	546798*

* = The delivery time is 10 days
AGR: 00.236

INTERNAL/Approved (2019-03-22 13:21:39)

1 DIN 7985, pan head, cross recess (PH), stainless steel A2

- Stainless Steel Version: A2
- Pan head with Philips drive and metric thread



Thread	M 2	M 2.5	M 3	M 4	M 5
Thread Pitch mm	0.4 mm	0.45 mm	0.5 mm	0.7 mm	0.8 mm
Ø head	4 mm	5 mm	6 mm	8 mm	10 mm
Height Of Head (k)	1.6 mm	2 mm	2.4 mm	3.1 mm	3.8 mm
Drive	PH 1	PH 1	PH 1	PH 2	PH 2
Thread	M 6	M 8			
Thread Pitch mm	1 mm	1.25 mm			
Ø head	12 mm	16 mm			
Height Of Head (k)	4.6 mm	6 mm			
Drive	PH 3	PH 4			

DIN 7985, pan head, cross recess (PH), stainless steel A2		
Dimensions	PU Piece	Article No.
M 2 x 4	1000	096501*
M 2 x 6	1000	096502*
M 2 x 8	1000	096503*
M 2 x 10	1000	096504*
M 2 x 12	1000	096505*

DIN 7985, pan head, cross recess (PH), stainless steel A2		
Dimensions	PU Piece	Article No.
M 2 x 16	1000	096506*
M 2.5 x 5	1000	096507*
M 2.5 x 6	1000	096508*
M 2.5 x 8	1000	096509*
M 2.5 x 10	1000	096510*

DIN 7985, pan head, cross recess (PH), stainless steel A2		
Dimensions	PU Piece	Article No.
M 2.5 x 16	1000	096511*
M 2.5 x 20	1000	096512*
M 2.5 x 25	500	096513*
M 3 x 4	500	096514*
M 3 x 5	500	096515*

INTERNAL/Approved (2019-03-22 13:23:18)

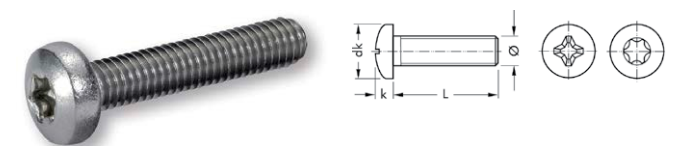
DIN 7985, pan head, cross recess (PH), stainless steel A2		
Dimensions	PU Piece	Article No.
M 3 x 6	500	116184
M 3 x 8	500	933111*
M 3 x 10	100	878774
M 3 x 12	500	930367
M 3 x 16	100	592862
M 3 x 20	100	592870
M 3 x 25	100	933121
M 3 x 30	100	878790
M 3 x 35	500	933398*
M 3 x 40	500	096516
M 3 x 50	200	096517
M 4 x 5	500	096518*
M 4 x 6	500	116193*
M 4 x 8	500	930828*
M 4 x 10	200	592919
M 4 x 12	200	932499
M 4 x 14	500	096519*
M 4 x 16	200	592935
M 4 x 18	500	096521*
M 4 x 20	200	592943
M 4 x 22	500	096522*
M 4 x 25	100	901354
M 4 x 30	100	592960
M 4 x 35	500	103270
M 4 x 40	100	592978

DIN 7985, pan head, cross recess (PH), stainless steel A2		
Dimensions	PU Piece	Article No.
M 4 x 45	500	096523*
M 4 x 50	500	878804
M 4 x 60	500	096524
M 5 x 6	500	116198*
M 5 x 8	500	876739*
M 5 x 10	100	592986
M 5 x 12	100	933744
M 5 x 16	100	593001
M 5 x 18	500	096525*
M 5 x 20	100	593010
M 5 x 22	500	096526*
M 5 x 25	100	933117
M 5 x 30	100	878820
M 5 x 35	500	103271*
M 5 x 40	100	880108
M 5 x 45	200	158258*
M 5 x 50	100	880116
M 5 x 55	200	096527*
M 5 x 60	200	101937
M 5 x 70	200	096528
M 5 x 80	200	096529
M 6 x 8	500	096530*
M 6 x 12	100	103272
M 6 x 16	100	880132
M 6 x 18	500	096531*

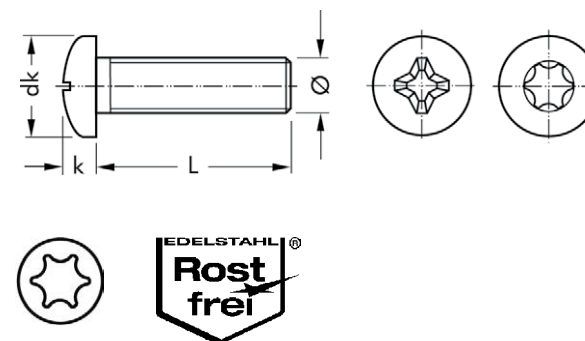
DIN 7985, pan head, cross recess (PH), stainless steel A2		
Dimensions	PU Piece	Article No.
M 6 x 20	100	933118
M 6 x 25	100	933119
M 6 x 30	100	933120
M 6 x 35	100	116214
M 6 x 40	100	880175
M 6 x 45	200	096532*
M 6 x 50	100	880183
M 6 x 60	100	101936
M 6 x 70	100	096533
M 6 x 80	100	096534
M 6 x 90	100	096535*
M 8 x 10	200	096536*
M 8 x 12	200	096537*
M 8 x 16	200	096538*
M 8 x 20	200	116218*
M 8 x 25	200	103273*
M 8 x 30	200	103274*
M 8 x 35	200	116222*
M 8 x 40	200	103275*
M 8 x 45	200	096539*
M 8 x 50	200	103277*
M 8 x 60	100	116225*

* = The delivery time is 14 days
AGR: 00.238

similar DIN 7985, pan head, TX, stainless steel A2



INTERNAL/Approved (2019-03-22 13:23:37)



Thread	M 2	M 2.5	M 3	M 4	M 5
Thread Pitch mm	0.4 mm	0.45 mm	0.5 mm	0.7 mm	0.8 mm
Ø head	4 mm	5 mm	6 mm	8 mm	10 mm
Height Of Head (k)	1.6 mm	2 mm	2.4 mm	3.1 mm	3.8 mm
Drive	TX 6	TX 8	TX 10	TX 20	TX 25
Thread	M 6	M 8			
Thread Pitch mm	1 mm	1.25 mm			
Ø head	12 mm	16 mm			
Height Of Head (k)	4.6 mm	6 mm			
Drive	TX 30	TX 40			

similar DIN 7985, pan head, TX, stainless steel A2

Dimensions	PU Piece	Article No.
M 2 x 3	1000	096540*
M 2 x 4	1000	096541*
M 2 x 5	1000	096542*
M 2 x 6	1000	096543*
M 2 x 8	1000	096544*
M 2 x 10	1000	096545*
M 2 x 12	1000	096546*
M 2 x 16	1000	096548*
M 2 x 20	1000	096549*
M 2.5 x 3	1000	096550*
M 2.5 x 4	1000	096551*

similar DIN 7985, pan head, TX, stainless steel A2

Dimensions	PU Piece	Article No.
M 2.5 x 5	1000	096552*
M 2.5 x 6	1000	096553*
M 2.5 x 8	1000	096554*
M 2.5 x 10	1000	096555*
M 2.5 x 12	1000	096556*
M 2.5 x 16	1000	096557*
M 2.5 x 20	1000	096558*
M 2.5 x 25	500	096559*
M 3 x 4	500	096560*
M 3 x 5	500	096561*
M 3 x 6	500	096562*

similar DIN 7985, pan head, TX, stainless steel A2

Dimensions	PU Piece	Article No.
M 3 x 8	500	096564*
M 3 x 10	500	096565*
M 3 x 12	500	096566*
M 3 x 14	500	096567*
M 3 x 16	500	096568*
M 3 x 20	500	096569*
M 3 x 25	500	096570*
M 3 x 30	500	096572*
M 3 x 35	500	096573*
M 3 x 40	500	096574*
M 4 x 5	500	096575*

Metric and inch screws

1

similar DIN 7985, pan head, TX, stainless steel A2		
Dimensions	PU Piece	Article No.
M 4 x 6	500	096576*
M 4 x 8	500	096577
M 4 x 10	500	096578
M 4 x 12	500	096579
M 4 x 14	500	096581*
M 4 x 16	500	096582
M 4 x 20	500	096583
M 4 x 25	500	096584*
M 4 x 30	500	096585
M 4 x 35	500	096586
M 4 x 40	500	096587
M 4 x 45	500	096588*
M 4 x 50	500	096589*
M 4 x 55	500	096590*
M 4 x 60	500	096591*
M 5 x 6	500	096592*
M 5 x 8	500	096593*
M 5 x 10	500	096594
M 5 x 12	500	096595
M 5 x 14	500	096596*

similar DIN 7985, pan head, TX, stainless steel A2		
Dimensions	PU Piece	Article No.
M 5 x 16	500	096597
M 5 x 20	500	096598
M 5 x 25	500	096599*
M 5 x 30	500	096600
M 5 x 35	500	096602
M 5 x 40	500	096603
M 5 x 45	200	096604*
M 5 x 50	200	096605*
M 5 x 55	200	096606*
M 5 x 60	200	096607*
M 6 x 8	500	096608*
M 6 x 10	500	096609
M 6 x 12	500	096610
M 6 x 14	500	096611*
M 6 x 16	500	096612
M 6 x 20	500	096613
M 6 x 25	200	096614
M 6 x 30	200	096615
M 6 x 35	200	096616
M 6 x 40	200	096617

similar DIN 7985, pan head, TX, stainless steel A2		
Dimensions	PU Piece	Article No.
M 6 x 45	200	096618*
M 6 x 50	200	096619*
M 6 x 55	200	096620*
M 6 x 60	200	096621*
M 8 x 10	200	096622*
M 8 x 12	200	096623*
M 8 x 16	200	096624
M 8 x 20	200	096625
M 8 x 25	200	096626
M 8 x 30	200	096627
M 8 x 35	200	096628*
M 8 x 40	200	096629
M 8 x 45	200	096630*
M 8 x 50	200	096631
M 8 x 60	200	096632*
M 8 x 70	200	096633*
M 8 x 80	200	096634*

* = The delivery time is 14 days
AGR: 00.238

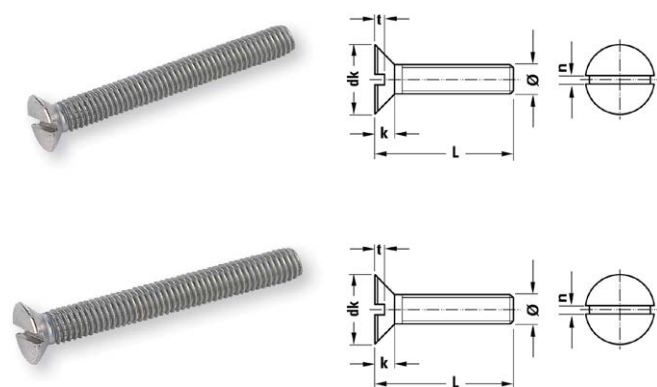
1

DIN 963, countersunk head, slot, steel 4.8, zinc plated

- Electro-plated version: Quality 4.8
- Flat countersunk head with slot and metric thread

Hints

- ~ ISO 2009
- DIN-ISO Differences see table



Thread	M 2	M 3	M 4	M 5	M 6
Thread Pitch mm	0.4 mm	0.5 mm	0.7 mm	0.8 mm	1 mm
Ø head	3.8 mm	5.6 mm	7.5 mm	9.2 mm	11 mm
Height Of Head (k)	1.2 mm	1.65 mm	2.2 mm	2.5 mm	3 mm
Thread	M 8	M 10	M 12	M 16	M 20
Thread Pitch mm	1.25 mm	1.5 mm	1.75 mm	2 mm	2.5 mm
Ø head	14.5 mm	18 mm	22 mm	29 mm	36 mm
Height Of Head (k)	4 mm	5 mm	6 mm	8 mm	10 mm

DIN 963, countersunk head, slot, steel 4.8, zinc plated		
Dimensions	PU Piece	Article No.
M 2 x 4	200	127440*
M 2 x 5	200	127441*
M 2 x 6	200	127442*
M 2 x 8	200	127443*
M 2 x 10	200	127444*
M 2 x 12	200	127445*
M 2 x 16	200	127446*
M 2 x 20	200	127447*
M 3 x 4	200	127459*
M 3 x 5	200	127460*
M 3 x 6	200	071269
M 3 x 8	200	071277
M 3 x 10	200	071285
M 3 x 12	200	071293

DIN 963, countersunk head, slot, steel 4.8, zinc plated		
Dimensions	PU Piece	Article No.
M 3 x 14	200	127461*
M 3 x 16	200	071307
M 3 x 18	200	127462*
M 3 x 20	200	071340
M 3 x 25	200	071374
M 3 x 30	200	071331
M 3 x 35	200	507712*
M 3 x 40	200	933245*
M 3 x 45	200	127464*
M 3 x 50	200	935325*
M 3 x 55	1000	127465*
M 3 x 60	200	933246*
M 4 x 5	200	127476*
M 4 x 6	200	071404

DIN 963, countersunk head, slot, steel 4.8, zinc plated		
Dimensions	PU Piece	Article No.
M 4 x 8	200	071412
M 4 x 10	200	071420
M 4 x 12	200	071439
M 4 x 16	200	071447
M 4 x 18	200	127477*
M 4 x 20	200	071463
M 4 x 22	200	127478*
M 4 x 25	200	071471
M 4 x 30	200	071480
M 4 x 35	200	071498
M 4 x 40	200	071501
M 4 x 45	200	071510*
M 4 x 50	200	071528*
M 4 x 55	200	118063*

INTERNAL/Approved (2019-03-22 13:24:59)

Metric and inch screws

1

DIN 963, countersunk head, slot, steel 4.8, zinc plated		
Dimensions	PU Piece	Article No.
M 4 x 60	200	022268*
M 4 x 65	200	127479*
M 4 x 70	100	127480*
M 4 x 80	100	127481*
M 4 x 90	100	127482*
M 4 x 100	100	127483*
M 5 x 6	200	071536*
M 5 x 8	200	071544
M 5 x 10	200	071552
M 5 x 12	200	071560
M 5 x 14	1000	127484*
M 5 x 16	200	071579
M 5 x 18	200	127486*
M 5 x 20	200	071595
M 5 x 22	200	127487*
M 5 x 25	200	071609
M 5 x 30	200	071625
M 5 x 35	200	071633
M 5 x 40	200	071641
M 5 x 45	200	071650
M 5 x 50	200	071668
M 5 x 55	200	507196*
M 5 x 60	200	071684
M 5 x 70	200	193453*
M 5 x 80	200	022270*
M 5 x 90	100	022271*
M 5 x 100	100	127488*
M 6 x 8	200	071692*
M 6 x 10	100	071706
M 6 x 12	200	071714
M 6 x 14	1000	127489*

DIN 963, countersunk head, slot, steel 4.8, zinc plated		
Dimensions	PU Piece	Article No.
M 6 x 16	100	071722
M 6 x 18	200	127490*
M 6 x 20	100	071820
M 6 x 22	200	127491*
M 6 x 25	100	071757
M 6 x 30	100	071765
M 6 x 35	200	071773
M 6 x 40	100	071781
M 6 x 45	200	071790*
M 6 x 50	100	071803
M 6 x 55	100	071838*
M 6 x 60	100	071811
M 6 x 70	100	192813
M 6 x 80	100	055999
M 6 x 90	100	022274*
M 6 x 100	100	022275*
M 8 x 10	100	127492*
M 8 x 12	100	975620*
M 8 x 16	100	071846
M 8 x 18	500	127493*
M 8 x 20	100	071862
M 8 x 25	100	071870
M 8 x 30	100	071897
M 8 x 35	100	071900*
M 8 x 40	100	071919
M 8 x 45	100	071927*
M 8 x 50	100	071935
M 8 x 55	100	936714*
M 8 x 60	100	071951
M 8 x 70	100	518492*
M 8 x 80	100	071978*

DIN 963, countersunk head, slot, steel 4.8, zinc plated		
Dimensions	PU Piece	Article No.
M 8 x 90	100	118065*
M 8 x 100	100	127495*
M 10 x 16	100	127496*
M 10 x 18	100	127497*
M 10 x 20	100	071994
M 10 x 25	100	072001
M 10 x 30	50	072028
M 10 x 35	100	072036*
M 10 x 40	50	072044
M 10 x 45	100	030751*
M 10 x 50	50	072060
M 10 x 55	100	127498*
M 10 x 60	50	030752
M 10 x 70	100	030753*
M 10 x 80	50	030754
M 10 x 90	100	127499*
M 10 x 100	100	127500*
M 12 x 20	100	127501*
M 12 x 25	100	030755*
M 12 x 30	100	030756*
M 12 x 35	100	030757*
M 12 x 40	100	030758*
M 12 x 45	100	127502*
M 12 x 50	100	030759*
M 12 x 55	50	127503*
M 12 x 60	50	030760*
M 12 x 70	50	127504*
M 12 x 80	50	127505*
M 12 x 90	50	127506*
M 12 x 100	50	127507*
M 16 x 25	100	127508*

INTERNAL/Approved (2019-03-22 13:25:35)

Metric and inch screws

1

DIN 963, countersunk head, slot, steel 4.8, zinc plated		
Dimensions	PU Piece	Article No.
M 16 x 30	50	127509*
M 16 x 35	50	127510*
M 16 x 40	50	127511*
M 16 x 45	50	127512*
M 16 x 50	50	127513*
M 16 x 55	50	127514*

DIN 963, countersunk head, slot, steel 4.8, zinc plated		
Dimensions	PU Piece	Article No.
M 16 x 60	50	127516*
M 16 x 70	25	127517*
M 16 x 80	25	127518*
M 16 x 90	25	127519*
M 20 x 40	25	127520*
M 20 x 45	25	127521*

DIN 963, countersunk head, slot, steel 4.8, zinc plated		
Dimensions	PU Piece	Article No.
M 20 x 50	25	127522*
M 20 x 60	25	127524*
M 20 x 70	25	127525*
M 20 x 100	25	127526*

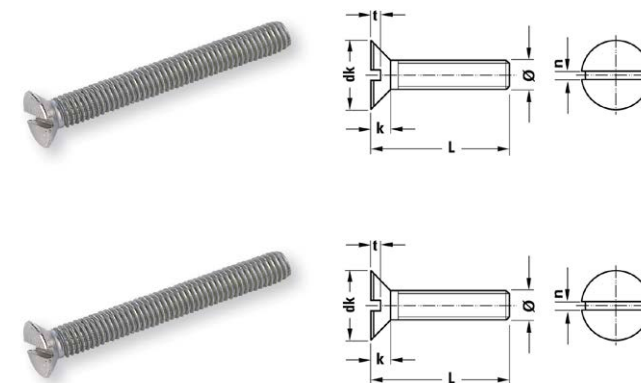
* = The delivery time is 10 days
AGR: 00.223 / 07.930

DIN 963, countersunk head, slot, stainless steel A2

- Stainless Steel version: Stainless Steel A2
- Flat countersunk head with slot and metric thread

Hints

- ~ ISO 2009
- DIN-ISO Differences see table



Thread	M 2	M 2.5	M 3	M 4	M 5
Thread Pitch mm	0.4 mm	0.45 mm	0.5 mm	0.7 mm	0.8 mm
Ø head	3.8 mm	4.7 mm	5.6 mm	7.5 mm	9.2 mm
Height Of Head (k)	1.2 mm	1.5 mm	1.65 mm	2.2 mm	2.5 mm
Thread	M 6	M 8	M 10		
Thread Pitch mm	1 mm	1.25 mm	1.5 mm		
Ø head	11 mm	14.5 mm	18 mm		
Height Of Head (k)	3 mm	4 mm	5 mm		

DIN 963, countersunk head, slot, stainless steel A2		
Dimensions	PU Piece	Article No.
M 2 x 6	1000	095745*

DIN 963, countersunk head, slot, stainless steel A2		
Dimensions	PU Piece	Article No.
M 2.5 x 5	1000	095746*

DIN 963, countersunk head, slot, stainless steel A2		
Dimensions	PU Piece	Article No.
M 2.5 x 6	1000	095747*

INTERNAL/Approved (2019-03-22 13:25:51)

Metric and inch screws

1

DIN 963, countersunk head, slot, stainless steel A2		
Dimensions	PU Piece	Article No.
M 2.5 x 8	1000	095748*
M 2.5 x 10	1000	095749*
M 3 x 4	500	095750*
M 3 x 5	500	095751*
M 3 x 6	500	933787*
M 3 x 8	500	021795*
M 3 x 10	500	021796*
M 3 x 12	500	021797*
M 3 x 16	500	225398*
M 3 x 18	500	095752*
M 3 x 20	500	021799*
M 3 x 22	500	095754*
M 3 x 25	500	225380*
M 3 x 30	500	157733*
M 3 x 35	500	095755*
M 3 x 40	500	095756*
M 3 x 45	200	095757*
M 3 x 50	200	095758*
M 4 x 6	500	021800*
M 4 x 8	500	913163*
M 4 x 10	500	913164*
M 4 x 12	500	021803*
M 4 x 16	500	225363*
M 4 x 18	500	095759*
M 4 x 20	500	238490*
M 4 x 22	500	095760*
M 4 x 25	500	913168*
M 4 x 30	500	225355*
M 4 x 35	500	095761*
M 4 x 40	500	238538*
M 4 x 45	500	095762*

DIN 963, countersunk head, slot, stainless steel A2		
Dimensions	PU Piece	Article No.
M 4 x 50	500	095763*
M 4 x 60	500	095764*
M 4 x 70	200	095765*
M 5 x 6	500	116043*
M 5 x 8	500	913174*
M 5 x 10	500	271780*
M 5 x 12	500	913176*
M 5 x 14	500	095766*
M 5 x 16	500	225347*
M 5 x 18	500	095767*
M 5 x 20	500	271802*
M 5 x 22	500	095768*
M 5 x 25	500	225339*
M 5 x 30	500	913180*
M 5 x 35	500	913181*
M 5 x 40	500	225320*
M 5 x 45	200	930364*
M 5 x 50	200	238643*
M 5 x 55	200	095769*
M 5 x 60	200	901362*
M 5 x 65	200	095770*
M 5 x 70	200	901367*
M 5 x 80	200	901368*
M 5 x 90	200	095771*
M 5 x 100	200	095772*
M 6 x 10	500	116047*
M 6 x 12	500	021817*
M 6 x 16	500	021818*
M 6 x 18	500	095773*
M 6 x 20	500	225304*
M 6 x 22	200	095774*

DIN 963, countersunk head, slot, stainless steel A2		
Dimensions	PU Piece	Article No.
M 6 x 25	200	116049*
M 6 x 30	200	116051*
M 6 x 35	200	913191*
M 6 x 40	200	116052*
M 6 x 45	200	095775*
M 6 x 50	200	238783*
M 6 x 55	200	095776*
M 6 x 60	200	238880*
M 6 x 70	200	026488*
M 6 x 80	200	026489*
M 6 x 90	200	095777*
M 6 x 100	200	095778*
M 8 x 10	200	095779*
M 8 x 16	200	518549*
M 8 x 18	200	095780*
M 8 x 20	200	025584*
M 8 x 22	200	095781*
M 8 x 25	200	102751*
M 8 x 30	200	025585*
M 8 x 35	200	116053*
M 8 x 40	200	025586*
M 8 x 50	200	116054*
M 8 x 55	100	095782*
M 8 x 60	100	025588*
M 8 x 70	100	025589*
M 8 x 80	100	025590*
M 8 x 90	100	095783*
M 8 x 100	100	095784*
M 10 x 16	100	095785*
M 10 x 20	100	027500*
M 10 x 25	100	116056*

INTERNAL/Approved (2019-03-22 13:26:27)

Metric and inch screws

1

DIN 963, countersunk head, slot, stainless steel A2		
Dimensions	PU Piece	Article No.
M 10 x 30	100	027501*
M 10 x 35	100	116057*
M 10 x 40	100	933202*
M 10 x 45	100	095786*

DIN 963, countersunk head, slot, stainless steel A2		
Dimensions	PU Piece	Article No.
M 10 x 50	100	116058*
M 10 x 55	100	095787*
M 10 x 60	100	027504*
M 10 x 70	50	095789*

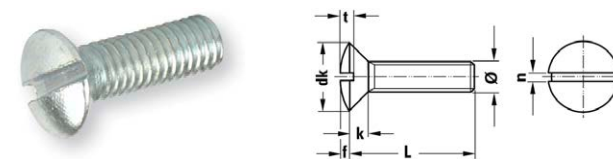
DIN 963, countersunk head, slot, stainless steel A2		
Dimensions	PU Piece	Article No.
M 10 x 80	50	095790*
M 10 x 90	50	095791*
M 10 x 100	50	095792*

* = The delivery time is 14 days
AGR: 00.225

DIN 964, raised countersunk head, slot, steel 4.8, zinc plated

Hints

- ~ ISO 2010
DIN-ISO Differences see table



Thread	M 3	M 4	M 5	M 6	M 8
Thread Pitch mm	0.5 mm	0.7 mm	0.8 mm	1 mm	1.25 mm
Ø head	5.6 mm	7.5 mm	9.2 mm	11 mm	14.5 mm
Height Of Head (k)	1.65 mm	2.2 mm	2.5 mm	3 mm	4 mm
Thread	M 10				
Thread Pitch mm	1.5 mm				
Ø head	18 mm				
Height Of Head (k)	5 mm				

DIN 964, raised countersunk head, slot, steel 4.8, zinc plated		
Dimensions	PU Piece	Article No.
M 3 x 5	200	127822*
M 3 x 6	200	507977*
M 3 x 8	200	073369*
M 3 x 10	200	073377*
M 3 x 12	200	073385*
M 3 x 16	200	073393*
M 3 x 20	200	073407*
M 3 x 25	200	073415*

DIN 964, raised countersunk head, slot, steel 4.8, zinc plated		
Dimensions	PU Piece	Article No.
M 3 x 30	200	073423*
M 3 x 35	200	074071*
M 3 x 40	200	074080*
M 4 x 8	200	073482*
M 4 x 10	200	073490*
M 4 x 12	200	073504*
M 4 x 16	200	073512*
M 4 x 20	200	073520*

DIN 964, raised countersunk head, slot, steel 4.8, zinc plated		
Dimensions	PU Piece	Article No.
M 4 x 25	200	073539*
M 4 x 30	200	073555*
M 4 x 35	200	117942*
M 4 x 40	200	073571*
M 4 x 45	200	117944*
M 4 x 50	200	073580*
M 4 x 60	200	127827*
M 4 x 70	100	127828*

INTERNAL/Approved (2019-03-22 13:26:48)

DIN 964, raised countersunk head, slot, steel 4.8, zinc plated		
Dimensions	PU Piece	Article No.
M 4 x 80	100	127829*
M 5 x 8	200	073598*
M 5 x 10	200	073601*
M 5 x 12	200	508018*
M 5 x 16	200	073628*
M 5 x 20	200	073636*
M 5 x 25	200	073644*
M 5 x 30	200	073652*
M 5 x 35	200	073660*
M 5 x 40	200	073679*
M 5 x 45	200	117990*
M 5 x 50	200	073695*
M 5 x 60	200	117991*
M 5 x 80	100	127832*
M 6 x 8	200	073717*
M 6 x 10	200	073725*

DIN 964, raised countersunk head, slot, steel 4.8, zinc plated		
Dimensions	PU Piece	Article No.
M 6 x 12	200	073733*
M 6 x 16	200	073741*
M 6 x 20	200	073768*
M 6 x 25	200	073776*
M 6 x 30	200	073784*
M 6 x 35	200	073792*
M 6 x 40	200	073806*
M 6 x 45	200	117993*
M 6 x 50	200	073822*
M 6 x 55	200	127834*
M 6 x 60	100	073830*
M 6 x 70	100	074144*
M 6 x 80	100	117995*
M 8 x 16	100	073849*
M 8 x 20	100	073857*
M 8 x 25	100	127835*

DIN 964, raised countersunk head, slot, steel 4.8, zinc plated		
Dimensions	PU Piece	Article No.
M 8 x 30	100	127836*
M 8 x 35	100	073881*
M 8 x 40	100	073890*
M 8 x 45	100	127837*
M 8 x 50	100	073903*
M 8 x 60	100	073911*
M 8 x 80	100	127840*
M 10 x 20	100	127841*
M 10 x 25	100	073962*
M 10 x 30	100	127842*
M 10 x 35	100	127843*
M 10 x 40	100	127844*
M 10 x 50	100	127846*

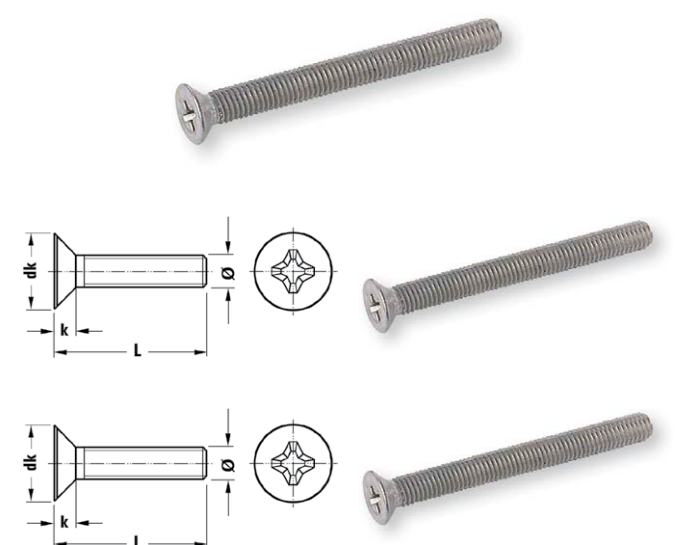
* = The delivery time is 10 days
AGR: 00.230

DIN 965, countersunk head, cross recess (PH), steel 4.8, zinc plated

- Electro-plated version: Quality 4.8
- Flat countersunk head with Philips drive and metric thread

Hints

- ~ ISO 2009
DIN-ISO Differences see table



Metric and inch screws

1

Thread	M 2	M 2.5	M 3	M 4	M 5
Thread Pitch mm	0.4 mm	0.45 mm	0.5 mm	0.7 mm	0.8 mm
Ø head	3.8 mm	4.7 mm	5.6 mm	7.5 mm	9.2 mm
Height Of Head (k)	1.2 mm	1.5 mm	1.65 mm	2.2 mm	2.5 mm
Drive	PH 1	PH 1	PH 1	PH 2	PH 2
Thread	M 6	M 8	M 10		
Thread Pitch mm	1 mm	1.25 mm	1.5 mm		
Ø head	11 mm	14.5 mm	18 mm		
Height Of Head (k)	3 mm	4 mm	5 mm		
Drive	PH 3	PH 4	PH 4		

DIN 965, countersunk head, cross recess (PH), steel 4.8, zinc plated

Dimensions	PU Piece	Article No.
M 3 x 6	100	077801*
M 3 x 8	100	077810*
M 3 x 10	200	077828
M 3 x 12	100	077836
M 3 x 16	200	077844
M 3 x 20	200	077852
M 4 x 6	100	077860*
M 4 x 8	200	077879
M 4 x 10	200	077887
M 4 x 12	200	077895
M 4 x 16	200	077909
M 4 x 20	200	077917
M 4 x 25	200	077925
M 4 x 30	200	077933
M 4 x 35	200	017503
M 4 x 40	200	553867
M 4 x 50	200	017505
M 4 x 60	200	017506

DIN 965, countersunk head, cross recess (PH), steel 4.8, zinc plated

Dimensions	PU Piece	Article No.
M 4 x 80	200	017508
M 5 x 8	200	077941
M 5 x 10	200	077950
M 5 x 12	200	077968
M 5 x 16	200	077976
M 5 x 20	200	077984
M 5 x 25	200	077992
M 5 x 30	200	078000
M 5 x 35	200	017509
M 5 x 40	200	078018
M 5 x 45	200	546135
M 5 x 50	200	543143
M 5 x 60	200	017511
M 5 x 80	200	017513
M 6 x 10	100	078026
M 6 x 12	100	078034
M 6 x 16	100	078042
M 6 x 20	100	078069

DIN 965, countersunk head, cross recess (PH), steel 4.8, zinc plated

Dimensions	PU Piece	Article No.
M 6 x 25	100	078077
M 6 x 30	100	078085
M 6 x 35	100	078093
M 6 x 40	100	078107
M 6 x 50	100	553883
M 6 x 60	100	546160
M 6 x 80	100	017517
M 8 x 16	100	078123
M 8 x 20	100	078140
M 8 x 25	100	078158
M 8 x 30	100	078166
M 8 x 35	100	078174*
M 8 x 40	100	933410
M 8 x 50	100	933409
M 8 x 60	100	017520
M 8 x 80	100	017522*
x	100	126897*
x	100	126898*

INTERNAL/Approved (2019-03-22 13:27:59)

DIN 965, countersunk head, cross recess (PH), steel 4.8, zinc plated		
Dimensions	PU Piece	Article No.
x	100	126899*
x	100	126901*
x	100	126902*
x	100	126903*
x	100	126904*
x	100	126905*
x	200	126871*
x	200	126872*
x	200	126873*
x	200	126867*
x	200	126868*
x	200	126869*
x	200	126870*
x	200	126863*
x	200	126864*
x	200	126865*
x	200	126866*
x	2000	126860*
x	200	126861*

DIN 965, countersunk head, cross recess (PH), steel 4.8, zinc plated		
Dimensions	PU Piece	Article No.
x	200	126862*
x	200	126876*
x	200	126877*
x	200	126878*
x	2000	126879*
x	1000	126880*
x	200	126874*
x	1000	126881*
x	200	126875*
x	200	126883*
x	2000	126884*
x	1000	126885*
x	200	126882*
x	200	126886*
x	200	126888*
x	200	126889*
x	200	126887*
x	1000	126891*
x	200	126892*

DIN 965, countersunk head, cross recess (PH), steel 4.8, zinc plated		
Dimensions	PU Piece	Article No.
x	200	126893*
x	200	126890*
x	100	126895*
x	500	126894*
x	200	064872*
x	200	017500*
x	200	017501*
x	1000	064873*
x	200	103282*
x	500	017507*
x	200	017512*
x	100	064874*
x	200	546151
x	200	017516*
x	100	546208*
x	100	886793*
x	100	017521*
x	100	118068*

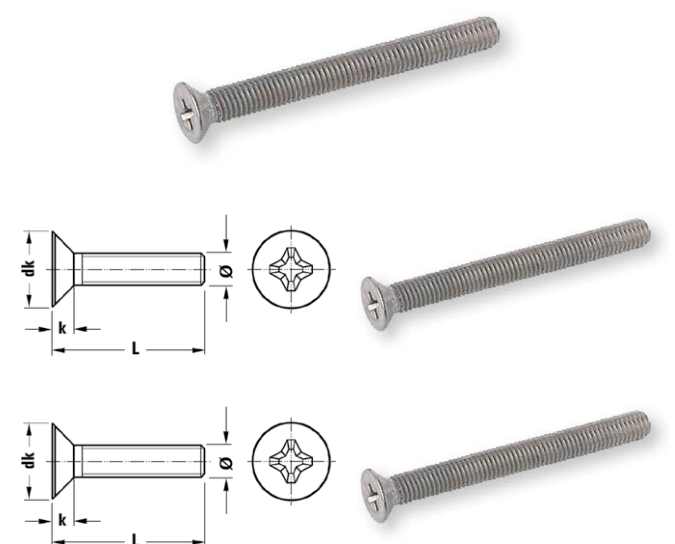
* = The delivery time is 10 days
 AGR: 00.226

DIN 965, countersunk head, cross recess (PH), stainless steel A2

- Stainless Steel version: Stainless Steel A2
- Countersunk head with metric thread

Hints

- ~ ISO 2009
- DIN-ISO Differences see table



INTERNAL/Approved (2019-03-22 13:28:15)



Thread	M 2	M 2.5	M 3	M 4	M 5
Thread Pitch mm	0.4 mm	0.45 mm	0.5 mm	0.7 mm	0.8 mm
Ø head	3.8 mm	4.7 mm	5.6 mm	7.5 mm	9.2 mm
Height Of Head (k)	1.2 mm	1.5 mm	1.65 mm	2.2 mm	2.5 mm
Drive	PH 1	PH 1	PH 1	PH 2	PH 2
Thread	M 6	M 8	M 10		
Thread Pitch mm	1 mm	1.25 mm	1.5 mm		
Ø head	11 mm	14.5 mm	18 mm		
Height Of Head (k)	3 mm	4 mm	5 mm		
Drive	PH 3	PH 4	PH 4		

DIN 965, countersunk head, cross recess (PH), stainless steel A2

Dimensions	PU Piece	Article No.
M 2 x 3	1000	095841*
M 2 x 4	1000	095842*
M 2 x 5	1000	095843*
M 2 x 6	1000	095844*
M 2 x 8	1000	095845*
M 2.5 x 4	1000	095846*
M 2.5 x 5	1000	095847*
M 2.5 x 6	1000	095848*
M 2.5 x 8	1000	095849*
M 3 x 4	500	095851*
M 3 x 5	500	095852*
M 3 x 6	500	503290
M 3 x 8	500	930366
M 3 x 10	100	503312

DIN 965, countersunk head, cross recess (PH), stainless steel A2

Dimensions	PU Piece	Article No.
M 3 x 12	500	103284
M 3 x 14	500	095853*
M 3 x 16	100	103285
M 3 x 20	100	103286
M 3 x 25	100	103287
M 3 x 30	100	139271
M 3 x 35	500	095854*
M 3 x 40	500	095855*
M 4 x 5	500	095856*
M 4 x 6	500	103288*
M 4 x 8	500	933311*
M 4 x 10	200	503339
M 4 x 12	200	319198
M 4 x 14	500	095857*

DIN 965, countersunk head, cross recess (PH), stainless steel A2

Dimensions	PU Piece	Article No.
M 4 x 16	200	503347
M 4 x 18	500	095858*
M 4 x 20	200	934240
M 4 x 22	500	095859*
M 4 x 25	200	934259
M 4 x 30	200	934267
M 4 x 35	500	116243
M 4 x 40	100	103289
M 4 x 45	500	095860*
M 4 x 50	500	162478
M 4 x 60	500	095861*
M 5 x 6	500	095862*
M 5 x 8	500	103291*
M 5 x 10	100	901355

INTERNAL/Approved (2019-03-22 13:28:49)

DIN 965, countersunk head, cross recess (PH), stainless steel A2		
Dimensions	PU Piece	Article No.
M 5 x 12	100	936126
M 5 x 14	500	095863*
M 5 x 16	100	901357
M 5 x 18	500	095864*
M 5 x 20	100	934275
M 5 x 22	500	095865*
M 5 x 25	100	936127
M 5 x 30	100	901358
M 5 x 35	500	103294
M 5 x 40	100	936062
M 5 x 45	200	103295
M 5 x 50	100	934283
M 5 x 60	100	936061
M 5 x 70	100	103296
M 5 x 80	100	103297
M 6 x 8	500	080900*
M 6 x 10	100	103298
M 6 x 12	100	103299
M 6 x 14	500	095866*

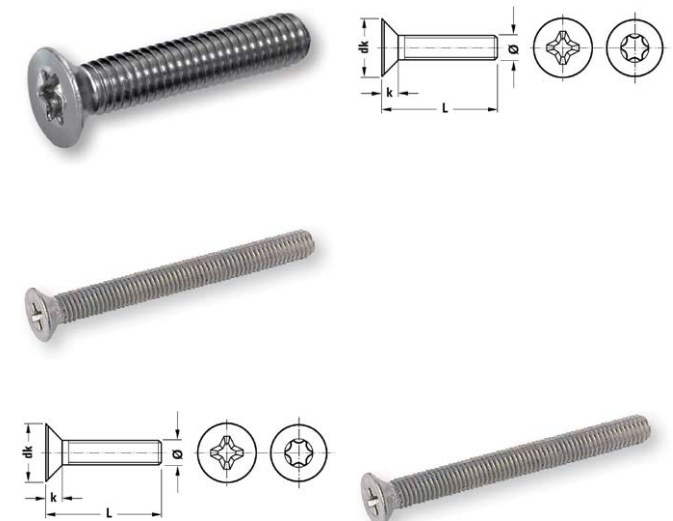
DIN 965, countersunk head, cross recess (PH), stainless steel A2		
Dimensions	PU Piece	Article No.
M 6 x 16	100	934291
M 6 x 18	500	095867*
M 6 x 20	100	503398
M 6 x 22	200	095868*
M 6 x 25	100	934305
M 6 x 30	100	934313
M 6 x 35	200	934321
M 6 x 40	100	934330
M 6 x 45	200	934348*
M 6 x 50	100	934356
M 6 x 55	200	095869*
M 6 x 60	100	934364
M 6 x 70	200	103300
M 6 x 80	200	013224
M 6 x 90	200	095870*
M 8 x 12	200	116261*
M 8 x 16	200	116263
M 8 x 20	100	103301
M 8 x 25	200	103302

DIN 965, countersunk head, cross recess (PH), stainless steel A2		
Dimensions	PU Piece	Article No.
M 8 x 30	200	103303
M 8 x 35	200	116267*
M 8 x 40	100	103304
M 8 x 45	200	095871*
M 8 x 50	200	123000
M 8 x 60	100	116269
M 8 x 70	200	013244*
M 8 x 80	200	013263
M 8 x 100	100	095872
M 10 x 20	100	116271*
M 10 x 25	100	116272*
M 10 x 30	100	116273*
M 10 x 35	100	116274*
M 10 x 40	100	116275*
M 10 x 50	100	116276*
M 10 x 60	100	116277*

* = The delivery time is 14 days
AGR: 00.228

ISO 14581, countersunk head, TX, stainless steel A2

- Stainless Steel version: Stainless Steel A2
- Countersunk head with torx drive metric thread



Metric and inch screws

1



Thread	M 2	M 2.5	M 3	M 4	M 5
Thread Pitch mm	0.4 mm	0.45 mm	0.5 mm	0.7 mm	0.8 mm
Ø head	3.8 mm	4.7 mm	5.5 mm	8.4 mm	9.3 mm
Height Of Head (k)	1.2 mm	1.5 mm	1.65 mm	2.7 mm	2.7 mm
Drive	TX 6	TX 8	TX 10	TX 20	TX 25
Thread	M 6	M 8			
Thread Pitch mm	1 mm	1.25 mm			
Ø head	11.3 mm	15.8 mm			
Height Of Head (k)	3.3 mm	4.65 mm			
Drive	TX 30	TX 45			

ISO 14581, countersunk head, TX, stainless steel A2

Dimensions	PU Piece	Article No.
M 2 x 3	1000	095873*
M 2 x 4	1000	095874*
M 2 x 5	1000	095875*
M 2 x 6	1000	095876*
M 2 x 8	1000	095877*
M 2 x 10	1000	095878*
M 2 x 12	1000	095879*
M 2 x 16	1000	095880*
M 2 x 20	1000	095881*
M 2.5 x 3	1000	095882*
M 2.5 x 4	1000	095883*
M 2.5 x 5	1000	095884*
M 2.5 x 6	1000	095885*
M 2.5 x 8	1000	095886*
M 2.5 x 10	1000	095887*

ISO 14581, countersunk head, TX, stainless steel A2

Dimensions	PU Piece	Article No.
M 2.5 x 12	1000	095888*
M 2.5 x 16	1000	095889*
M 2.5 x 20	1000	095890*
M 3 x 4	500	095891*
M 3 x 5	500	095892*
M 3 x 6	500	095893*
M 3 x 8	500	095894*
M 3 x 10	500	095895*
M 3 x 12	500	095896*
M 3 x 14	500	095897*
M 3 x 16	500	095898*
M 3 x 20	500	095899*
M 3 x 25	500	095900*
M 3 x 30	500	095901*
M 3 x 35	500	095902*

ISO 14581, countersunk head, TX, stainless steel A2

Dimensions	PU Piece	Article No.
M 3 x 40	500	095903*
M 4 x 5	500	095904*
M 4 x 6	500	095905*
M 4 x 8	500	095906*
M 4 x 10	500	095907*
M 4 x 12	500	095908*
M 4 x 14	500	095909*
M 4 x 16	500	095910*
M 4 x 20	500	095911*
M 4 x 25	500	095912*
M 4 x 30	500	095913*
M 4 x 35	500	095914*
M 4 x 40	500	095916*
M 4 x 45	500	095917*
M 4 x 50	500	095918*

INTERNAL/Approved (2019-03-22 13:29:42)

ISO 14581, countersunk head, TX, stainless steel A2		
Dimensions	PU Piece	Article No.
M 4 x 55	500	095919*
M 4 x 60	500	095920*
M 5 x 6	500	095921*
M 5 x 8	500	095922*
M 5 x 10	500	095923
M 5 x 12	500	095924*
M 5 x 14	500	095925*
M 5 x 16	500	095926
M 5 x 20	500	095927
M 5 x 25	500	095928
M 5 x 30	500	095929
M 5 x 35	500	095930*
M 5 x 40	500	095932
M 5 x 45	200	095933*
M 5 x 50	200	095934

ISO 14581, countersunk head, TX, stainless steel A2		
Dimensions	PU Piece	Article No.
M 5 x 55	200	095935*
M 5 x 60	200	095936
M 6 x 8	500	095937*
M 6 x 10	500	095938*
M 6 x 12	500	095939*
M 6 x 14	500	095940*
M 6 x 16	500	095941
M 6 x 20	500	095942
M 6 x 25	200	095943
M 6 x 30	200	095944
M 6 x 35	200	095945
M 6 x 40	200	095946
M 6 x 45	200	095947
M 6 x 50	200	095948
M 6 x 55	200	095949*

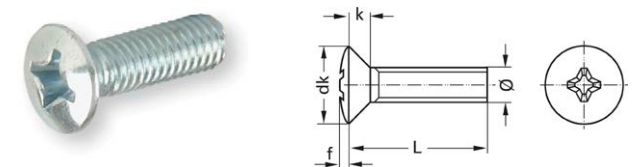
ISO 14581, countersunk head, TX, stainless steel A2		
Dimensions	PU Piece	Article No.
M 6 x 60	200	095950
M 8 x 10	200	095951
M 8 x 12	200	095952*
M 8 x 16	200	095953
M 8 x 20	200	095954
M 8 x 25	200	095955
M 8 x 30	200	095956
M 8 x 35	200	095957
M 8 x 40	200	095958
M 8 x 45	200	095959
M 8 x 50	200	095960
M 8 x 60	200	095961
M 8 x 70	200	095962*
M 8 x 80	200	095963*

* = The delivery time is 14 days
AGR: 00.228

DIN 966, raised countersunk head, cross recess (PH), steel 4.8, zinc plated

Hints

- ~ ISO 7047
DIN-ISO Differences see table



Thread	M 2.5	M 3	M 4	M 5	M 6	M 8
Thread Pitch mm	0.45 mm	0.5 mm	0.7 mm	0.8 mm	1 mm	1.25 mm
Ø head	4.7 mm	5.6 mm	7.5 mm	9.2 mm	11 mm	14.5 mm
Height Of Head (k)	1.5 mm	1.65 mm	2.2 mm	2.5 mm	3 mm	4 mm
Overlap head	0.6 mm	0.75 mm	1 mm	1.25 mm	1.5 mm	2 mm
Drive	PH 1	PH 1	PH 2	PH 2	PH 3	PH 4

Metric and inch screws

1

DIN 966, raised countersunk head, cross recess (PH), steel 4.8, zinc plated

Dimensions	PU Piece	Article No.
M 4 x 10	100	077445
M 4 x 16	100	077461
M 4 x 20	100	077488
M 4 x 25	100	077496
M 4 x 30	100	077500
M 4 x 35	100	077518*
M 4 x 40	100	077526*
M 5 x 10	100	077542
M 5 x 12	100	077550
M 5 x 16	100	077569
M 5 x 20	100	077585
M 5 x 25	100	077593
M 5 x 30	100	077615
M 5 x 35	100	077623
M 5 x 40	100	077631
M 5 x 50	100	077607*
M 6 x 10	100	077658
M 6 x 12	100	077666
M 6 x 16	100	077674
M 6 x 20	100	077690
M 6 x 25	100	077704
M 6 x 30	100	077712
M 6 x 35	100	077720

DIN 966, raised countersunk head, cross recess (PH), steel 4.8, zinc plated

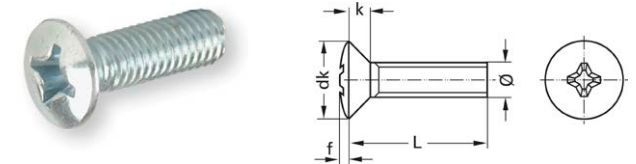
Dimensions	PU Piece	Article No.
M 6 x 40	100	077739
M 6 x 50	100	095915
M 8 x 40	100	108324*
x	200	126909*
x	2000	126906*
x	200	126907*
x	200	126908*
x	200	077372*
x	200	077380*
x	200	077399*
x	200	077402*
x	200	077410*
x	2000	126911*
x	1000	126912*
x	200	126910*
x	100	077453
x	200	077429*
x	200	077437*
x	200	077534*
x	200	095966*
x	200	096008*
x	500	077755*
x	500	077771*

DIN 966, raised countersunk head, cross recess (PH), steel 4.8, zinc plated

Dimensions	PU Piece	Article No.
x	200	077780*
x	200	077798*
x	100	108340*
x	100	108359*
x	100	108367*
x	200	017523*
x	200	546291*
x	200	118463*
x	200	118061*
x	200	017524*
x	500	017525*
x	200	017526
x	200	546356*
x	200	546364*
x	200	899213
x	500	546313*
x	200	095990*
x	200	118062*
x	100	546321*
x	100	546330*

* = The delivery time is 45 days
AGR: 00.233

DIN 966, raised countersunk head, cross recess (PH), stainless steel A2



Hints

- ~ ISO 7047
DIN-ISO Differences see table



Thread	M 3	M 4	M 5	M 6	M 8
Thread Pitch mm	0.5 mm	0.7 mm	0.8 mm	1 mm	1.25 mm
Ø head	5.6 mm	7.5 mm	9.2 mm	11 mm	14.5 mm
Height Of Head (k)	1.65 mm	2.2 mm	2.5 mm	3 mm	4 mm
Overlap head	0.75 mm	1 mm	1.25 mm	1.5 mm	2 mm
Drive	PH 1	PH 2	PH 2	PH 3	PH 4

DIN 966, raised countersunk head, cross recess (PH), stainless steel A2

Dimensions	PU Piece	Article No.
M 3 x 5	500	095964*
M 3 x 6	500	123068*
M 3 x 8	500	116124*
M 3 x 10	500	122991*
M 3 x 12	500	122992*
M 3 x 16	500	122993*
M 3 x 20	500	122994*
M 4 x 6	500	122985*
M 4 x 8	500	122997*
M 4 x 10	500	103305
M 4 x 12	500	103307
M 4 x 14	500	095965*
M 4 x 16	500	103308*
M 4 x 18	500	103309*

DIN 966, raised countersunk head, cross recess (PH), stainless steel A2

Dimensions	PU Piece	Article No.
M 4 x 20	500	554278
M 4 x 22	500	095967*
M 4 x 25	500	095968
M 4 x 30	500	122986
M 4 x 35	500	116134*
M 4 x 40	500	554286
M 4 x 50	500	095969*
M 5 x 6	500	095970*
M 5 x 8	500	116135*
M 5 x 10	500	116136
M 5 x 12	500	122987
M 5 x 16	500	103310
M 5 x 18	500	095971*
M 5 x 20	500	122988

DIN 966, raised countersunk head, cross recess (PH), stainless steel A2

Dimensions	PU Piece	Article No.
M 5 x 22	500	095972*
M 5 x 25	500	554294
M 5 x 30	500	103311
M 5 x 35	500	116139*
M 5 x 40	500	554308
M 5 x 45	200	095973*
M 5 x 50	200	116140*
M 5 x 60	200	095974*
M 5 x 70	200	095975*
M 5 x 80	200	095976*
M 6 x 10	500	116141*
M 6 x 12	500	103312*
M 6 x 16	500	103313
M 6 x 18	500	095977*

INTERNAL/Approved (2019-03-22 13:30:36)

Metric and inch screws

1

DIN 966, raised countersunk head, cross recess (PH), stainless steel A2

Dimensions	PU Piece	Article No.
M 6 x 20	500	103315
M 6 x 25	200	122982
M 6 x 30	200	122983
M 6 x 35	200	103316*
M 6 x 40	200	103317
M 6 x 45	200	095978*
M 6 x 50	200	122984*

DIN 966, raised countersunk head, cross recess (PH), stainless steel A2

Dimensions	PU Piece	Article No.
M 6 x 60	200	116145*
M 6 x 70	200	095979*
M 8 x 12	200	095980*
M 8 x 16	200	122989*
M 8 x 20	200	116146*
M 8 x 25	200	122990
M 8 x 30	200	116147*

DIN 966, raised countersunk head, cross recess (PH), stainless steel A2

Dimensions	PU Piece	Article No.
M 8 x 35	200	116148*
M 8 x 40	200	116150*
M 8 x 45	200	095981*
M 8 x 50	200	116151*
M 8 x 60	100	116152*

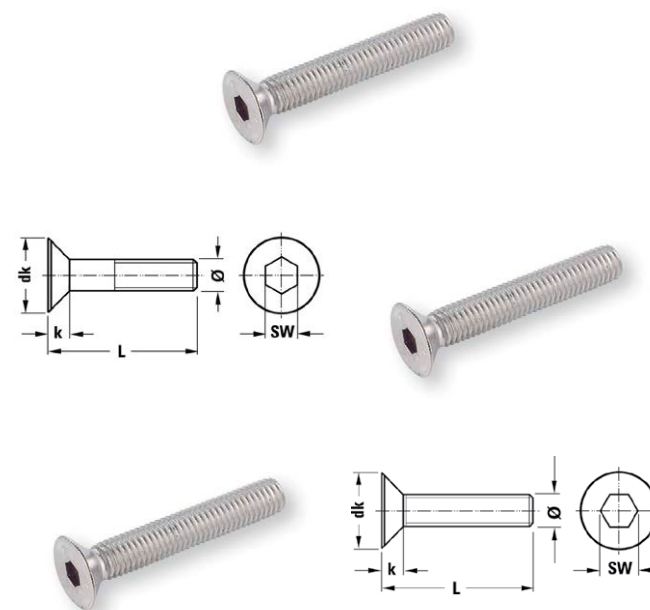
* = The delivery time is 14 days
AGR: 00.235

ISO 10642, countersunk head, internal hexagon, steel 8.8, zinc plated

- Electroplated version: Quality 8.8
- Countersunk screws with hexagon and metric thread

Hints

- ~ former DIN 7991
DIN-ISO Differences see table
- Ø M24 is not provided in the ISO 10642, is supplied according to DIN 7991
- The screws can be supplied in parts or as fully threaded by the producer



INTERNAL/Approved (2019-03-22 13:30:56)

Metric and inch screws

Thread	M 3	M 4	M 5	M 6	M 8
Thread Pitch mm	0.5 mm	0.7 mm	0.8 mm	1 mm	1.25 mm
Ø head	6.72 mm	8.96 mm	10.2 mm	13.44 mm	17.92 mm
Height Of Head (k)	1.86 mm	2.48 mm	3.1 mm	3.72 mm	4.96 mm
Drive	I6KT 2	I6KT 2.5	I6KT 3	I6KT 4	I6KT 5
Thread	M 10	M 12	M 14	M 16	M 20
Thread Pitch mm	1.5 mm	1.75 mm	2 mm	2 mm	2.5 mm
Ø head	22.4 mm	26.8 mm	30.88 mm	33.6 mm	40.32 mm
Height Of Head (k)	6.2 mm	7.44 mm	8.4 mm	8.8 mm	10.16 mm
Drive	I6KT 6	I6KT 8	I6KT 10	I6KT 10	I6KT 12
Thread	M 24				
Thread Pitch mm	3 mm				
Ø head	39 mm				
Height Of Head (k)	14 mm				
Drive	I6KT 14				

ISO 10642, countersunk head, internal hexagon, steel 8.8, zinc plated

Dimensions	PU Piece	Article No.
M 3 x 5	500	127175*
M 3 x 6	500	127176*
M 3 x 8	500	127178*
M 3 x 10	100	052664*
M 3 x 12	500	127183*
M 3 x 16	100	052665*
M 3 x 18	500	127184*
M 3 x 20	100	117958*
M 3 x 25	500	117959*
M 3 x 30	500	117961*
M 4 x 6	500	127185*
M 4 x 8	500	127186*
M 4 x 10	100	938728*
M 4 x 12	500	127187*
M 4 x 14	500	127189*
M 4 x 16	100	052666*

ISO 10642, countersunk head, internal hexagon, steel 8.8, zinc plated

Dimensions	PU Piece	Article No.
M 4 x 18	500	127190*
M 4 x 20	100	938429*
M 4 x 22	500	127191*
M 4 x 25	100	517003*
M 4 x 30	500	117962*
M 4 x 35	500	127192*
M 4 x 40	500	127193*
M 4 x 45	500	127194*
M 4 x 50	100	127195*
M 5 x 6	500	127196*
M 5 x 8	500	127197*
M 5 x 10	100	101958
M 5 x 12	100	101966
M 5 x 14	500	127198*
M 5 x 16	100	938448*
M 5 x 18	500	127199*

ISO 10642, countersunk head, internal hexagon, steel 8.8, zinc plated

Dimensions	PU Piece	Article No.
M 5 x 20	100	101982*
M 5 x 22	500	127200*
M 5 x 25	100	101990*
M 5 x 30	100	102008*
M 5 x 35	200	117963*
M 5 x 40	200	117964*
M 5 x 45	100	117965*
M 5 x 50	200	117966*
M 5 x 55	200	127201*
M 5 x 60	200	117967*
M 5 x 70	200	127202*
M 5 x 80	100	127203*
M 6 x 8	500	127204*
M 6 x 10	100	102016*
M 6 x 12	100	102024
M 6 x 14	500	127206*

INTERNAL/Approved (2019-03-22 13:31:47)

Metric and inch screws

1

ISO 10642, countersunk head, internal hexagon, steel 8.8, zinc plated		
Dimensions	PU Piece	Article No.
M 6 x 16	100	102032
M 6 x 18	500	127207*
M 6 x 20	100	102040
M 6 x 22	500	127208*
M 6 x 25	100	102059
M 6 x 30	100	102067
M 6 x 35	100	517070*
M 6 x 40	100	517020
M 6 x 45	200	117968
M 6 x 50	50	938578*
M 6 x 55	200	117969*
M 6 x 60	200	517046*
M 6 x 65	200	127209*
M 6 x 70	200	117970
M 6 x 75	100	127220*
M 6 x 80	200	117971*
M 6 x 90	200	127221*
M 6 x 100	100	127222*
M 6 x 120	100	159868*
M 8 x 10	200	127223*
M 8 x 12	200	127224*
M 8 x 14	200	127225*
M 8 x 16	100	102113
M 8 x 18	200	127226*
M 8 x 20	100	102121
M 8 x 22	200	127227*
M 8 x 25	100	102130
M 8 x 30	100	102148
M 8 x 35	100	102156
M 8 x 40	100	102164
M 8 x 45	200	117972*

ISO 10642, countersunk head, internal hexagon, steel 8.8, zinc plated		
Dimensions	PU Piece	Article No.
M 8 x 50	50	102172
M 8 x 55	200	117973*
M 8 x 60	50	938397
M 8 x 65	200	127228*
M 8 x 70	100	117975
M 8 x 80	200	117976
M 8 x 90	200	127229
M 8 x 100	200	127230
M 8 x 110	100	127231*
M 8 x 120	100	127232*
M 8 x 130	100	127233
M 8 x 140	100	127234*
M 8 x 150	100	127235*
M 10 x 12	200	127236*
M 10 x 16	100	102180*
M 10 x 18	200	127237
M 10 x 20	100	817398
M 10 x 20	100	102199*
M 10 x 25	100	102202
M 10 x 30	100	102210*
M 10 x 35	50	517054*
M 10 x 40	50	102237*
M 10 x 45	100	127238*
M 10 x 50	50	102245
M 10 x 55	100	117979*
M 10 x 60	50	517062
M 10 x 70	100	117980
M 10 x 80	100	117981*
M 10 x 90	100	127239*
M 10 x 100	100	127240*
M 10 x 110	100	127241*

ISO 10642, countersunk head, internal hexagon, steel 8.8, zinc plated		
Dimensions	PU Piece	Article No.
M 10 x 120	100	127242*
M 10 x 130	50	127243*
M 10 x 140	50	127244*
M 10 x 150	50	127245*
M 10 x 160	50	127246*
M 12 x 20	100	117982*
M 12 x 25	100	547344*
M 12 x 30	50	102270*
M 12 x 35	50	117983*
M 12 x 40	50	102296*
M 12 x 45	100	117984*
M 12 x 50	50	102318*
M 12 x 55	100	117985*
M 12 x 60	50	117987*
M 12 x 65	100	127247*
M 12 x 70	50	117988*
M 12 x 80	50	117989*
M 12 x 90	50	127248*
M 12 x 100	50	127249*
M 12 x 110	50	127250*
M 12 x 120	50	127251*
M 12 x 130	50	127252*
M 12 x 140	50	127253*
M 12 x 150	50	127254*
M 12 x 160	50	127255*
M 12 x 180	50	127256*
M 12 x 200	50	127257*
M 14 x 30	50	127258*
M 14 x 35	50	127259*
M 14 x 40	50	127260*
M 14 x 45	50	127261*

INTERNAL/Approved (2019-03-22 13:31:51)

ISO 10642, countersunk head, internal hexagon, steel 8.8, zinc plated		
Dimensions	PU Piece	Article No.
M 14 x 50	50	127262*
M 14 x 55	50	127263*
M 16 x 20	50	127264*
M 16 x 25	50	127265*
M 16 x 30	50	160151*
M 16 x 35	50	127266*
M 16 x 40	50	160152*
M 16 x 45	50	127267*
M 16 x 50	50	160153*
M 16 x 55	50	127268*
M 16 x 60	50	938414
M 16 x 70	25	160154*
M 16 x 80	25	160155*
M 16 x 90	25	127269*
M 16 x 100	25	127270*
M 16 x 110	25	127271*
M 16 x 120	25	127272*
M 16 x 130	25	127273*
M 16 x 140	25	127274*

ISO 10642, countersunk head, internal hexagon, steel 8.8, zinc plated		
Dimensions	PU Piece	Article No.
M 16 x 150	25	127275*
M 16 x 160	25	127276*
M 16 x 180	25	127277*
M 16 x 200	25	127278*
M 20 x 35	25	127279*
M 20 x 40	25	127280*
M 20 x 45	25	127281*
M 20 x 50	25	127282*
M 20 x 55	25	127283*
M 20 x 60	25	127284*
M 20 x 70	25	127285*
M 20 x 80	25	127286*
M 20 x 90	25	127287*
M 20 x 100	25	127288*
M 20 x 110	25	127290*
M 20 x 120	25	127291*
M 20 x 130	25	127292*
M 20 x 140	25	127293*
M 20 x 150	25	127294*

ISO 10642, countersunk head, internal hexagon, steel 8.8, zinc plated		
Dimensions	PU Piece	Article No.
M 20 x 160	10	127295*
M 20 x 180	10	127296*
M 20 x 200	10	127297*
M 24 x 40	25	127298*
M 24 x 50	25	127300*
M 24 x 60	25	127301*
M 24 x 70	25	127303*
M 24 x 80	25	127304*
M 24 x 90	1	127305*
M 24 x 100	1	127306*
x	100	502812
x	100	502820
x	100	502847
x	100	502863
x	100	502871
x	50	502880

* = The delivery time is 30 days
AGR: 00.220

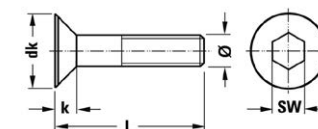
ISO 10642, countersunk head, internal hexagon, steel 10.9, zinc plated

Characteristics

- Tempered

Hints

- The screws can be delivered in both partial and full threaded depending on the manufacturer



Metric and inch screws

1

- Risk of hydrogen embrittlement: In galvanic coatings on high strength parts with a tensile strength of 1000 N / mm² (eg, 10.9, 12.9) and springy Share with hardness of 320 HV, the risk of hydrogen embrittlement (brittle fracture) can not be excluded with certainty - see technical information

Thread	M 3	M 4	M 5	M 6	M 8
Thread Pitch mm	0.5 mm	0.7 mm	0.8 mm	1 mm	1.25 mm
Ø head	6.72 mm	8.96 mm	10.2 mm	13.44 mm	17.92 mm
Height Of Head (k)	1.86 mm	2.48 mm	3.1 mm	3.72 mm	4.96 mm
Drive	I6KT 2	I6KT 2.5	I6KT 3	I6KT 4	I6KT 5
Thread	M 10	M 12	M 16	M 20	
Thread Pitch mm	1.5 mm	1.75 mm	2 mm	2.5 mm	
Ø head	22.4 mm	26.8 mm	33.6 mm	40.32 mm	
Height Of Head (k)	6.2 mm	7.44 mm	8.8 mm	10.16 mm	
Drive	I6KT 6	I6KT 8	I6KT 10	I6KT 12	

ISO 10642, countersunk head, internal hexagon, steel 10.9, zinc plated

Dimensions	PU Piece	Article No.
M 3 x 16	500	127312*
M 3 x 20	500	127313*
M 3 x 25	500	127314*
M 3 x 30	500	127315*
M 4 x 6	500	127316*
M 4 x 8	500	127317*
M 4 x 10	500	127318*
M 4 x 12	500	127319*
M 4 x 14	500	127320*
M 4 x 16	500	127321*
M 4 x 20	500	127322*
M 4 x 25	500	127323*
M 4 x 30	500	127325*
M 4 x 35	500	127328*
M 4 x 40	500	127330*
M 5 x 8	500	127331*

ISO 10642, countersunk head, internal hexagon, steel 10.9, zinc plated

Dimensions	PU Piece	Article No.
M 5 x 10	500	893960*
M 5 x 12	500	893978*
M 5 x 14	500	127332*
M 5 x 16	500	127333*
M 5 x 20	500	893986*
M 5 x 25	500	893994*
M 5 x 30	500	127334*
M 5 x 35	200	127335*
M 5 x 40	200	127336*
M 5 x 45	200	127337*
M 6 x 8	500	127338*
M 6 x 10	500	894001*
M 6 x 12	500	894028*
M 6 x 14	500	127339*
M 6 x 16	100	894036*
M 6 x 18	500	127340*

ISO 10642, countersunk head, internal hexagon, steel 10.9, zinc plated

Dimensions	PU Piece	Article No.
M 6 x 20	100	894044*
M 6 x 22	500	127341*
M 6 x 25	100	894052
M 6 x 30	100	894060*
M 6 x 35	100	156544*
M 6 x 40	100	894079*
M 6 x 45	100	161724*
M 6 x 50	100	894087
M 6 x 55	200	127342*
M 6 x 60	200	127343*
M 6 x 70	200	127344*
M 6 x 80	200	127345*
M 8 x 10	200	127346*
M 8 x 12	200	161725*
M 8 x 16	200	109542*
M 8 x 18	200	127347*

INTERNAL/Approved (2019-03-22 13:32:43)

ISO 10642, countersunk head, internal hexagon, steel 10.9, zinc plated		
Dimensions	PU Piece	Article No.
M 8 x 20	50	894117*
M 8 x 25	50	894125*
M 8 x 30	50	894133*
M 8 x 35	50	161726*
M 8 x 40	50	894141*
M 8 x 45	50	161727*
M 8 x 50	50	894150*
M 8 x 55	200	127348*
M 8 x 60	200	127349*
M 8 x 70	200	127350*
M 8 x 80	200	127351*
M 10 x 16	200	894168*
M 10 x 20	25	894176*
M 10 x 25	25	894184*
M 10 x 30	25	894206*
M 10 x 35	25	161728*
M 10 x 40	25	894214*
M 10 x 45	25	151925*
M 10 x 50	25	151926*
M 10 x 60	25	161729*
M 10 x 70	25	161731*
M 10 x 80	100	127352*

ISO 10642, countersunk head, internal hexagon, steel 10.9, zinc plated		
Dimensions	PU Piece	Article No.
M 10 x 90	100	127353*
M 10 x 100	100	127354*
M 12 x 20	25	402893*
M 12 x 25	25	894222*
M 12 x 30	25	894230*
M 12 x 35	25	894257*
M 12 x 40	100	894265*
M 12 x 45	100	161732*
M 12 x 50	25	894273*
M 12 x 60	25	161733*
M 12 x 65	50	127356*
M 12 x 70	25	161734*
M 12 x 80	50	127357*
M 12 x 90	50	127358*
M 16 x 25	50	127359*
M 16 x 30	10	161735*
M 16 x 35	10	161736*
M 16 x 40	10	894281*
M 16 x 45	10	161737*
M 16 x 50	10	894290*
M 16 x 55	10	161738*
M 16 x 60	10	894303*

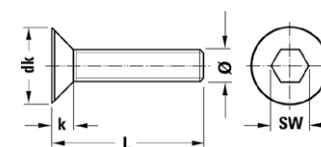
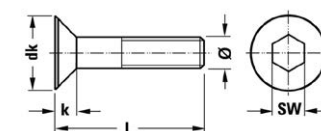
ISO 10642, countersunk head, internal hexagon, steel 10.9, zinc plated		
Dimensions	PU Piece	Article No.
M 16 x 70	10	161739*
M 16 x 80	10	161740*
M 16 x 90	25	127360*
M 16 x 100	25	127361*
M 16 x 110	25	127362*
M 20 x 30	25	127363*
M 20 x 35	25	127364*
M 20 x 40	25	127365*
M 20 x 50	25	127366*
M 20 x 60	25	127367*
M 20 x 70	25	127368*
M 20 x 80	25	127369*
M 20 x 90	25	127371*
M 20 x 100	25	127372*
M 20 x 110	25	127373*
M 20 x 120	25	127374*
M 20 x 130	25	127375*
x	500	127309*
x	500	127311*
x	500	127307*
x	500	127308*

* = The delivery time is 10 days
 AGR: 00.221

ISO 10642, countersunk head, internal hexagon, stainless steel A2

Hints

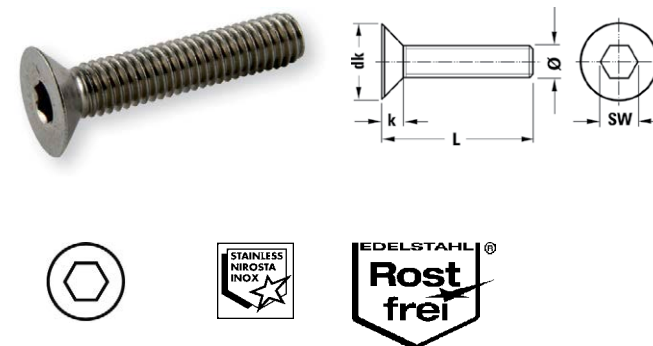
- ~ DIN 7991



Metric and inch screws

1

- Changes in ISO:
 \emptyset M22/24 -> dimensions discontinued
 All other \emptyset -> modified head heights (k), head diameter (dk) and shaft lengths (b)
- Screws are delivered with full thread



Thread	M 3	M 4	M 5	M 6	M 8
Thread Pitch mm	0.5 mm	0.7 mm	0.8 mm	1 mm	1.25 mm
\emptyset head	6.72 mm	8.96 mm	10.2 mm	13.44 mm	17.92 mm
Height Of Head (k)	1.86 mm	2.48 mm	3.1 mm	3.72 mm	4.96 mm
Drive	I6KT 2	I6KT 2.5	I6KT 3	I6KT 4	I6KT 5
Thread	M 10	M 12	M 16	M 20	
Thread Pitch mm	1.5 mm	1.75 mm	2 mm	2.5 mm	
\emptyset head	22.4 mm	26.8 mm	33.6 mm	40.32 mm	
Height Of Head (k)	6.2 mm	7.44 mm	8.8 mm	10.16 mm	
Drive	I6KT 6	I6KT 8	I6KT 10	I6KT 12	

ISO 10642, countersunk head, internal hexagon, stainless steel A2		
Dimensions	PU Piece	Article No.
M 3 x 5	1000	096635*
M 3 x 6	1000	096636
M 3 x 8	1000	157664
M 3 x 10	1000	157665
M 3 x 12	1000	157666
M 3 x 16	1000	157667
M 3 x 20	1000	115979
M 3 x 25	1000	115980
M 3 x 30	1000	115981
M 3 x 40	500	115982
M 4 x 6	1000	096637*
M 4 x 10	200	024006
M 4 x 12	200	517828

ISO 10642, countersunk head, internal hexagon, stainless steel A2		
Dimensions	PU Piece	Article No.
M 4 x 16	200	517836
M 4 x 18	1000	096638*
M 4 x 20	200	024008
M 4 x 25	200	115984
M 4 x 30	200	115985
M 4 x 40	100	115987
M 4 x 45	200	096639*
M 4 x 50	200	096640*
M 4 x 60	100	096641*
M 5 x 8	500	096642*
M 5 x 10	100	024009
M 5 x 12	100	103013
M 5 x 14	500	096643*

ISO 10642, countersunk head, internal hexagon, stainless steel A2		
Dimensions	PU Piece	Article No.
M 5 x 16	100	024010
M 5 x 18	500	096644*
M 5 x 20	100	024011
M 5 x 25	100	024012
M 5 x 30	100	024013
M 5 x 35	100	356077
M 5 x 40	100	356085
M 5 x 45	200	115989*
M 5 x 50	100	115990
M 5 x 55	200	096645*
M 5 x 60	200	115992
M 6 x 8	500	092316*
M 6 x 10	500	356093

INTERNAL/Approved (2019-03-22 13:34:05)

Metric and inch screws

1

ISO 10642, countersunk head, internal hexagon, stainless steel A2		
Dimensions	PU Piece	Article No.
M 6 x 12	100	356107
M 6 x 14	200	096646*
M 6 x 16	100	356115
M 6 x 18	200	096647*
M 6 x 20	100	517852
M 6 x 25	100	024016
M 6 x 30	100	024017
M 6 x 35	100	356140
M 6 x 40	100	356158
M 6 x 45	100	356166*
M 6 x 50	100	356174
M 6 x 55	100	115993*
M 6 x 60	100	109909
M 6 x 70	100	115995
M 6 x 80	100	115996
M 6 x 90	100	096648
M 6 x 100	100	096649
M 8 x 12	500	160115*
M 8 x 16	100	356182
M 8 x 18	200	096650*
M 8 x 20	100	024018
M 8 x 25	100	024019
M 8 x 30	100	024020
M 8 x 35	100	356220
M 8 x 40	100	024021
M 8 x 45	100	356247
M 8 x 50	100	024022

ISO 10642, countersunk head, internal hexagon, stainless steel A2		
Dimensions	PU Piece	Article No.
M 8 x 55	100	115997*
M 8 x 60	100	115998
M 8 x 65	100	096651*
M 8 x 70	50	115999
M 8 x 80	50	116000
M 8 x 90	100	096652*
M 8 x 100	50	096653
M 10 x 16	100	160116*
M 10 x 20	50	356263
M 10 x 30	50	024024
M 10 x 35	100	024025
M 10 x 40	50	356301
M 10 x 45	100	356310*
M 10 x 50	50	024027
M 10 x 55	50	116001*
M 10 x 60	50	356336
M 10 x 70	100	116002
M 10 x 80	100	116003
M 10 x 90	50	096654*
M 10 x 100	50	096655
M 12 x 20	100	517860
M 12 x 25	50	517879
M 12 x 30	100	517887
M 12 x 35	50	116004
M 12 x 40	100	517895
M 12 x 45	50	116005
M 12 x 50	100	517909

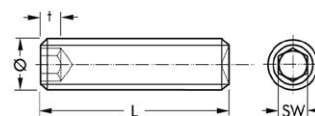
ISO 10642, countersunk head, internal hexagon, stainless steel A2		
Dimensions	PU Piece	Article No.
M 12 x 55	50	116006*
M 12 x 60	100	116007
M 12 x 70	100	116008
M 12 x 80	100	116010
M 12 x 90	25	096656*
M 12 x 100	25	096657
M 16 x 30	25	034312*
M 16 x 35	25	034313*
M 16 x 40	25	034314
M 16 x 45	25	096658*
M 16 x 50	25	034315
M 16 x 55	25	096659*
M 16 x 60	25	034316
M 16 x 70	25	034317
M 16 x 80	25	034318*
M 16 x 90	25	096660*
M 16 x 100	25	096661*
M 16 x 110	25	096662*
M 16 x 120	25	096663*
M 20 x 40	25	096664*
M 20 x 50	25	096665*
M 20 x 60	25	096666*
M 20 x 70	25	096667*
M 20 x 80	25	096668*
M 20 x 90	25	096669*
M 20 x 100	25	096670*

* = The delivery time is 14 days
 AGR: 00.222

INTERNAL/Approved (2019-03-22 13:34:24)

1

DIN 913, flat point, internal hexagon, steel 45H, zinc plated



Hints

- Caution: do not use for tensile loading (it is not annealed)

Thread	M 2	M 3	M 4	M 5	M 6
Thread Pitch mm	0.4 mm	0.5 mm	0.7 mm	0.8 mm	1 mm
Wrench Width	0.9 mm	1.5 mm	2 mm	2.5 mm	3 mm
Thread	M 8	M 10	M 12	M 14	M 16
Thread Pitch mm	1.25 mm	1.5 mm	1.75 mm	2 mm	2 mm
Wrench Width	4 mm	5 mm	6 mm	6 mm	8 mm
Thread	M 20	M 24			
Thread Pitch mm	2.5 mm	3 mm			
Wrench Width	10 mm	12 mm			

DIN 913, flat point, internal hexagon, steel 45H, zinc plated		
Dimensions	PU Piece	Article No.
x	100	125532*
x	200	125518*
x	200	125519*
x	200	125520*
x	200	125521*
x	100	125522*
x	100	125523*
x	100	125524*
x	100	125525*
x	100	125526*
x	100	125527*
x	100	125528*
x	100	125529*

DIN 913, flat point, internal hexagon, steel 45H, zinc plated		
Dimensions	PU Piece	Article No.
x	100	125530*
x	200	125517*
x	100	125531*
x	50	125549*
x	100	125533*
x	100	125534*
x	100	125535*
x	100	125536*
x	200	125537*
x	100	125538*
x	100	125539*
x	100	125540*
x	100	125541*

DIN 913, flat point, internal hexagon, steel 45H, zinc plated		
Dimensions	PU Piece	Article No.
x	100	125542*
x	100	125543*
x	100	125544*
x	50	125545*
x	50	125546*
x	50	125547*
x	50	125548*
x	100	125550*
x	50	125551*
x	50	125552*
x	100	125553*
x	100	125554*
x	100	125555*

INTERNAL/Approved (2019-03-22 13:35:57)

Metric and inch screws

1

DIN 913, flat point, internal hexagon, steel 45H, zinc plated		
Dimensions	PU Piece	Article No.
x	100	125556*
x	100	125557*
x	50	125558*
x	50	125559*
x	50	125560*
x	50	125561*
x	50	125562*
x	50	125563*
x	50	125564*
x	25	125565*
x	100	125566*
x	100	125567*
x	50	125568*
x	50	125569*
x	50	125570*
x	50	125571*
x	25	125572*
x	25	125573*
x	25	125574*
x	25	125575*
x	50	125576*
x	50	125577*
x	50	125578*
x	25	125579*
x	25	125580*
x	25	125581*
x	25	125582*
x	100	125441*
x	100	125438*
x	100	125439*
x	100	125440*

DIN 913, flat point, internal hexagon, steel 45H, zinc plated		
Dimensions	PU Piece	Article No.
x	200	125447*
x	200	125448*
x	200	125449*
x	200	125450*
x	200	125442*
x	200	125443*
x	200	125444*
x	200	125445*
x	200	125446*
x	200	125455*
x	200	125456*
x	200	125457*
x	200	125458*
x	200	125459*
x	200	125460*
x	200	125461*
x	200	125462*
x	200	125463*
x	200	125464*
x	200	125451*
x	200	125452*
x	200	125453*
x	200	125454*
x	200	125469*
x	200	125470*
x	200	125471*
x	200	125472*
x	200	125473*
x	200	125474*
x	100	125475*
x	100	125476*

DIN 913, flat point, internal hexagon, steel 45H, zinc plated		
Dimensions	PU Piece	Article No.
x	100	125477*
x	200	125465*
x	200	125466*
x	200	125467*
x	200	125468*
x	200	125481
x	200	125482*
x	200	125483*
x	1/200	125484*
x	200	125485*
x	200	125486*
x	200	125487*
x	200	125488*
x	100	125489*
x	100	125490*
x	200	125491*
x	200	125492*
x	200	125478*
x	100	125493*
x	200	125479*
x	200	125480*
x	100	125511*
x	200	125496*
x	200	125497*
x	50	125515*
x	200	125498*
x	200	125499*
x	200	125500*
x	200	125501*
x	100	125502*
x	100	125503*

INTERNAL/Approved (2019-03-22 13:36:18)

Metric and inch screws

1

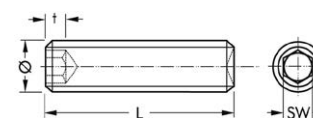
DIN 913, flat point, internal hexagon, steel 45H, zinc plated		
Dimensions	PU Piece	Article No.
x	100	125504*
x	100	125505*
x	100	125506*
x	100	125507*

DIN 913, flat point, internal hexagon, steel 45H, zinc plated		
Dimensions	PU Piece	Article No.
x	200	125494*
x	100	125508*
x	100	125509*
x	200	125495*

DIN 913, flat point, internal hexagon, steel 45H, zinc plated		
Dimensions	PU Piece	Article No.
x	100	125510*

* = The delivery time is 10 days
AGR: 00.255

DIN 913, flat point, internal hexagon, steel 45H, plain



Thread	M 4	M 5	M 6	M 8	M 10
Thread Pitch mm	0.7 mm	0.8 mm	1 mm	1.25 mm	1.5 mm
Wrench Width	2 mm	2.5 mm	3 mm	4 mm	5 mm
Thread	M 12				
Thread Pitch mm	1.75 mm				
Wrench Width	6 mm				

DIN 913, flat point, internal hexagon, steel 45H, plain		
Dimensions	PU Piece	Article No.
M 4 x 6	100	172585*
M 4 x 8	100	168367
M 4 x 16	100	172583*
M 5 x 5	100	172582*
M 5 x 6	100	168369
M 5 x 8	100	172581*
M 5 x 10	100	168370
M 6 x 6	100	172578*
M 6 x 8	100	172577*
M 6 x 10	100	168372
M 6 x 12	100	172576*

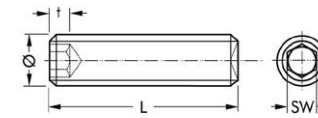
DIN 913, flat point, internal hexagon, steel 45H, plain		
Dimensions	PU Piece	Article No.
M 6 x 16	100	168373
M 6 x 20	100	172575*
M 8 x 6	100	172574*
M 8 x 8	100	172573*
M 8 x 10	100	168374
M 8 x 12	100	172572*
M 8 x 16	100	168375
M 8 x 20	100	172571
M 8 x 30	100	172570*
M 8 x 40	100	172569*
M 10 x 10	50	172568*

DIN 913, flat point, internal hexagon, steel 45H, plain		
Dimensions	PU Piece	Article No.
M 10 x 12	50	172567*
M 10 x 20	50	172565*
M 10 x 30	50	172563*
M 10 x 40	50	172562*
M 12 x 12	25	172561*
M 12 x 16	25	172560*
x	100	168368
x	100	168371
x	1000	152021
x	100	152030

* = The delivery time is 30 days
AGR: 00.255

INTERNAL/Approved (2019-03-22 13:36:38)

DIN 913, flat point, internal hexagon, stainless steel A2



1



Thread	M 3	M 4	M 5	M 6	M 8
Thread Pitch mm	0.5 mm	0.7 mm	0.8 mm	1 mm	1.25 mm
Wrench Width	1.5 mm	2 mm	2.5 mm	3 mm	4 mm
Thread	M 10	M 12			
Thread Pitch mm	1.5 mm	1.75 mm			
Wrench Width	5 mm	6 mm			

DIN 913, flat point, internal hexagon, stainless steel A2

Dimensions	PU Piece	Article No.
M 3 x 3	500	095001*
M 3 x 4	500	095002*
M 3 x 5	500	095003*
M 3 x 6	500	095004*
M 3 x 8	500	095005*
M 3 x 10	500	095006*
M 3 x 12	500	095007*
M 3 x 16	500	095008*
M 3 x 20	500	095009*
M 3 x 25	500	095011*
M 3 x 30	200	095012*
M 4 x 3	500	095013*
M 4 x 4	500	095014*
M 4 x 5	500	095015*
M 4 x 6	500	095016*
M 4 x 8	500	095017*

DIN 913, flat point, internal hexagon, stainless steel A2

Dimensions	PU Piece	Article No.
M 4 x 10	500	095018*
M 4 x 12	500	095019*
M 4 x 16	500	095020*
M 4 x 20	500	095021*
M 4 x 25	500	095022*
M 4 x 30	200	095023*
M 4 x 40	200	095024*
M 5 x 5	500	095025*
M 5 x 6	500	095026*
M 5 x 8	500	095027*
M 5 x 10	500	095029*
M 5 x 12	500	095030*
M 5 x 16	500	095031*
M 5 x 20	500	095032*
M 5 x 25	200	095033*
M 5 x 30	200	095034*

DIN 913, flat point, internal hexagon, stainless steel A2

Dimensions	PU Piece	Article No.
M 5 x 35	200	095035*
M 5 x 40	200	095036*
M 6 x 5	200	095037*
M 6 x 6	200	095038*
M 6 x 8	200	095039*
M 6 x 10	200	095040*
M 6 x 12	200	095041*
M 6 x 16	200	095042*
M 6 x 20	200	095043*
M 6 x 25	200	095045*
M 6 x 30	200	095046*
M 6 x 35	200	095047*
M 6 x 40	200	095048*
M 6 x 45	200	095049*
M 6 x 50	200	095050*
M 6 x 60	200	095051*

INTERNAL/Approved (2019-03-22 13:37:19)

Metric and inch screws

1

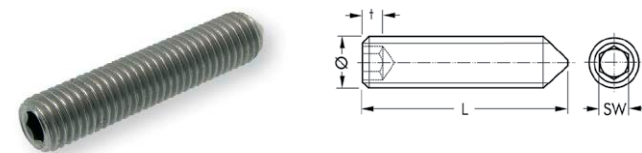
DIN 913, flat point, internal hexagon, stainless steel A2		
Dimensions	PU Piece	Article No.
M 6 x 70	200	095052*
M 8 x 8	200	095053*
M 8 x 10	200	095054*
M 8 x 12	200	095055*
M 8 x 16	200	095056*
M 8 x 20	200	095057*
M 8 x 25	200	095058*
M 8 x 30	200	095059*
M 8 x 35	200	095060*
M 8 x 40	200	095061*
M 8 x 45	200	095062*
M 8 x 50	200	095063*
M 8 x 60	200	095064*
M 8 x 70	200	095065*
M 8 x 80	200	095066*

DIN 913, flat point, internal hexagon, stainless steel A2		
Dimensions	PU Piece	Article No.
M 10 x 10	200	095067*
M 10 x 12	200	095068*
M 10 x 16	200	095069*
M 10 x 20	200	095070*
M 10 x 25	100	095071*
M 10 x 30	100	095072*
M 10 x 35	100	095073*
M 10 x 40	100	095074*
M 10 x 45	100	095075*
M 10 x 50	100	095076*
M 10 x 60	100	095077*
M 10 x 70	100	095078*
M 10 x 80	100	095080*
M 10 x 90	100	095081*
M 12 x 12	100	095082*

DIN 913, flat point, internal hexagon, stainless steel A2		
Dimensions	PU Piece	Article No.
M 12 x 16	100	095083*
M 12 x 20	100	095084*
M 12 x 25	100	095085*
M 12 x 30	100	095086*
M 12 x 35	100	095088*
M 12 x 40	100	095089*
M 12 x 45	100	095090*
M 12 x 50	100	095091*
M 12 x 55	100	095092*
M 12 x 60	100	095093*
M 12 x 70	50	095094*
M 12 x 80	50	095096*
M 12 x 90	50	095097*

* = The delivery time is 14 days
AGR: 00.274

DIN 914, cone point, internal hexagon, steel 45H, zinc plated



Hints

- Caution: do not use for tensile loading (it is not annealed)

Thread	M 3	M 4	M 5	M 6	M 8
Thread Pitch mm	0.5 mm	0.7 mm	0.8 mm	1 mm	1.25 mm
Wrench Width	1.5 mm	2 mm	2.5 mm	3 mm	4 mm
Thread	M 10	M 12	M 16	M 20	
Thread Pitch mm	1.5 mm	1.75 mm	2 mm	2.5 mm	
Wrench Width	5 mm	6 mm	8 mm	10 mm	

Metric and inch screws

1

DIN 914, cone point, internal hexagon, steel 45H, zinc plated		
Dimensions	PU Piece	Article No.
x	200	125641
x	200	125642*
x	200	125643*
x	200	125644*
x	100	125645*
x	100	125646*
x	100	125647*
x	100	125648*
x	100	125649*
x	100	125650*
x	100	125651*
x	100	125653*
x	100	125654*
x	100	125655*
x	100	125656*
x	100	125657*
x	100	125658*
x	100	125659*
x	100	125660*
x	50	125661*
x	50	125662*
x	100	125663*
x	100	125664*
x	100	125665*
x	50	125666*
x	50	125667*
x	50	125668*
x	50	125669*
x	50	125670*
x	50	125671*

DIN 914, cone point, internal hexagon, steel 45H, zinc plated		
Dimensions	PU Piece	Article No.
x	50	125672*
x	25	125673*
x	100	125674*
x	50	125675*
x	50	125676*
x	50	125677*
x	25	125678*
x	200	125588*
x	200	125583*
x	200	125584*
x	200	125585*
x	200	125586*
x	200	125587*
x	200	125593*
x	200	125594*
x	200	125595*
x	200	125596*
x	200	125597*
x	200	125598*
x	200	125599*
x	200	125600*
x	200	125589*
x	200	125590*
x	200	125591*
x	200	125592*
x	200	125605*
x	200	125606*
x	200	125607*
x	200	125608*
x	200	125610*

DIN 914, cone point, internal hexagon, steel 45H, zinc plated		
Dimensions	PU Piece	Article No.
x	200	125611*
x	200	125601*
x	200	125602*
x	200	125603*
x	200	125604*
x	200	125615
x	200	125616*
x	200	125617*
x	200	125618*
x	200	125619*
x	200	125620*
x	200	125621*
x	100	125622*
x	100	125623*
x	200	125612*
x	200	125613*
x	200	125614*
x	200	125625
x	200	125626*
x	200	125629*
x	200	125633*
x	200	125634*
x	100	125635*
x	100	125636*
x	100	125637*
x	100	125638*
x	100	125639*
x	100	125640*
x	200	125624*

* = The delivery time is 10 days
AGR: 00.252

INTERNAL/Approved (2019-03-22 13:38:04)

DIN 914, cone point, internal hexagon, steel 45H, plain



1

Thread	M 4	M 5	M 6	M 8	M 10
Thread Pitch mm	0.7 mm	0.8 mm	1 mm	1.25 mm	1.5 mm
Wrench Width	2 mm	2.5 mm	3 mm	4 mm	5 mm
Thread	M 12				
Thread Pitch mm	1.75 mm				
Wrench Width	6 mm				

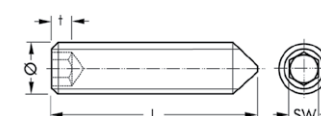
DIN 914, cone point, internal hexagon, steel 45H, plain		
Dimensions	PU Piece	Article No.
M 4 x 6	100	164407*
M 4 x 8	100	172587*
M 4 x 10	100	164408*
M 4 x 12	100	172589*
M 4 x 16	100	164409*
M 5 x 5	100	164410*
M 5 x 6	100	164411*
M 5 x 8	100	172593*
M 5 x 10	100	164412
M 5 x 12	100	172594*
M 5 x 16	100	164413
M 5 x 20	100	164414*
M 6 x 8	100	164416*

DIN 914, cone point, internal hexagon, steel 45H, plain		
Dimensions	PU Piece	Article No.
M 6 x 10	100	164417
M 6 x 12	100	164418*
M 6 x 16	100	164419
M 6 x 20	100	164420*
M 8 x 6	100	172599*
M 8 x 8	100	164421*
M 8 x 10	100	164422
M 8 x 12	100	164423*
M 8 x 16	100	164424
M 8 x 20	100	164425*
M 8 x 30	100	164426*
M 10 x 10	50	164428*
M 10 x 12	50	164429*

DIN 914, cone point, internal hexagon, steel 45H, plain		
Dimensions	PU Piece	Article No.
M 10 x 16	50	164430*
M 10 x 20	50	164431*
M 10 x 25	50	164432*
M 10 x 30	50	164433*
M 10 x 40	50	164434*
M 12 x 12	25	172612*
M 12 x 16	25	164435*
M 12 x 20	25	164436*
M 12 x 25	25	172615*
M 12 x 30	25	164437*
M 12 x 40	25	164438*

* = The delivery time is 30 days
AGR: 00.252

DIN 914, cone point, internal hexagon, stainless steel A2



INTERNAL/Approved (2019-03-22 13:38:30)



1

Thread	M 3	M 4	M 5	M 6	M 8
Thread Pitch mm	0.5 mm	0.7 mm	0.8 mm	1 mm	1.25 mm
Wrench Width	1.5 mm	2 mm	2.5 mm	3 mm	4 mm
Thread	M 10	M 12	M 16		
Thread Pitch mm	1.5 mm	1.75 mm	2 mm		
Wrench Width	5 mm	6 mm	8 mm		

DIN 914, cone point, internal hexagon, stainless steel A2

Dimensions	PU Piece	Article No.
M 3 x 3	500	095098
M 3 x 4	500	095099
M 3 x 5	500	095100
M 3 x 6	500	095101
M 3 x 8	500	095102*
M 3 x 10	500	095103
M 3 x 12	500	095104*
M 3 x 16	500	095105*
M 3 x 20	500	095106*
M 3 x 25	500	095107*
M 4 x 4	500	095108
M 4 x 5	500	095109
M 4 x 6	500	095110
M 4 x 8	500	095111
M 4 x 10	500	095112
M 4 x 12	500	095113
M 4 x 16	500	095114
M 4 x 20	500	095115
M 4 x 25	500	095116*
M 4 x 30	200	095118

DIN 914, cone point, internal hexagon, stainless steel A2

Dimensions	PU Piece	Article No.
M 5 x 5	500	095119
M 5 x 6	500	095120
M 5 x 8	500	095121
M 5 x 10	500	095122
M 5 x 12	500	095123
M 5 x 14	500	095124
M 5 x 16	500	095125
M 5 x 20	500	095126
M 5 x 25	200	095127*
M 5 x 30	200	095128
M 5 x 35	200	095129*
M 5 x 40	200	095130*
M 5 x 45	200	095131*
M 5 x 50	200	095132*
M 6 x 6	200	095134
M 6 x 8	200	095135
M 6 x 10	200	095136
M 6 x 12	200	095137*
M 6 x 14	200	095138*
M 6 x 16	200	095139

DIN 914, cone point, internal hexagon, stainless steel A2

Dimensions	PU Piece	Article No.
M 6 x 20	200	095140
M 6 x 25	200	095142
M 6 x 30	200	095143
M 6 x 35	200	095144*
M 6 x 40	200	095145
M 6 x 45	200	095146*
M 6 x 50	200	095147*
M 8 x 8	200	095148*
M 8 x 10	200	095149
M 8 x 12	200	095151*
M 8 x 16	200	095152
M 8 x 20	200	095153
M 8 x 25	200	095154
M 8 x 30	200	095155
M 8 x 35	200	095156*
M 8 x 40	200	095157*
M 8 x 45	200	095158*
M 8 x 50	200	095159*
M 8 x 60	200	095160*
M 10 x 10	200	095161*

INTERNAL/Approved (2019-03-22 13:39:08)

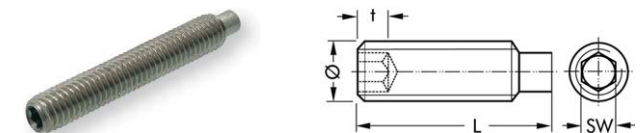
DIN 914, cone point, internal hexagon, stainless steel A2		
Dimensions	PU Piece	Article No.
M 10 x 12	200	095162
M 10 x 16	200	095163
M 10 x 20	200	095164
M 10 x 25	100	095165*
M 10 x 30	100	095166
M 10 x 35	100	095167*
M 10 x 40	100	095168
M 10 x 45	100	095169*
M 10 x 50	100	095170
M 10 x 60	100	095171*
M 12 x 12	100	095172*
M 12 x 16	100	095173*

DIN 914, cone point, internal hexagon, stainless steel A2		
Dimensions	PU Piece	Article No.
M 12 x 20	100	095174*
M 12 x 25	100	095175*
M 12 x 30	100	095177*
M 12 x 35	100	095178*
M 12 x 40	100	095179*
M 12 x 45	100	095180*
M 12 x 50	100	095181*
M 12 x 55	100	095182*
M 12 x 60	100	095183*
M 12 x 70	50	095184*
M 12 x 80	50	095185*
M 12 x 90	50	095186*

DIN 914, cone point, internal hexagon, stainless steel A2		
Dimensions	PU Piece	Article No.
M 16 x 16	50	095187*
M 16 x 20	50	095188*
M 16 x 25	50	095189*
M 16 x 30	50	095190*
M 16 x 35	50	095191*
M 16 x 40	50	095193*
M 16 x 45	50	095194*
M 16 x 50	50	095195*
M 16 x 60	50	095196*
M 16 x 70	50	095197*
M 16 x 80	25	095198*

* = The delivery time is 14 days
AGR: 00.275

DIN 915, dog point, internal hexagon, steel 45H, zinc plated



Hints

- Caution: do not use it for tensile loading (it is not annealed)

Thread	M 3	M 4	M 5	M 6	M 8
Thread Pitch mm	0.5 mm	0.7 mm	0.8 mm	1 mm	1.25 mm
Wrench Width	1.5 mm	2 mm	2.5 mm	3 mm	4 mm
Thread	M 10	M 12	M 16	M 20	M 24
Thread Pitch mm	1.5 mm	1.75 mm	2 mm	2.5 mm	3 mm
Wrench Width	5 mm	6 mm	8 mm	10 mm	12 mm

DIN 915, dog point, internal hexagon, steel 45H, zinc plated		
Dimensions	PU Piece	Article No.
x	200	127779*
x	200	127780*

DIN 915, dog point, internal hexagon, steel 45H, zinc plated		
Dimensions	PU Piece	Article No.
x	200	127781*
x	100	127782*

DIN 915, dog point, internal hexagon, steel 45H, zinc plated		
Dimensions	PU Piece	Article No.
x	100	127783*
x	100	127784*

INTERNAL/Approved (2019-03-22 13:39:17)

Metric and inch screws

1

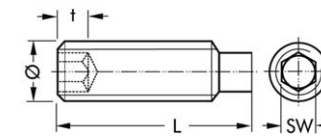
DIN 915, dog point, internal hexagon, steel 45H, zinc plated		
Dimensions	PU Piece	Article No.
x	100	127785*
x	100	127786*
x	100	127787*
x	100	127788*
x	200	127778*
x	100	127789*
x	100	127790*
x	100	127791*
x	100	127792*
x	100	127793*
x	100	127794*
x	100	127795*
x	100	127796*
x	100	127797*
x	50	127798*
x	50	127799*
x	50	127800*
x	100	127801*
x	100	127802*
x	100	127803*
x	100	127804*
x	100	127805*
x	100	127806*
x	50	127807*
x	50	127808*
x	50	127809*
x	50	127810*
x	50	127811*

DIN 915, dog point, internal hexagon, steel 45H, zinc plated		
Dimensions	PU Piece	Article No.
x	100	127812*
x	50	127813*
x	50	127814*
x	50	127816*
x	25	127818*
x	25	127819*
x	25	127820*
x	50	127821*
x	200	127725*
x	200	127726*
x	200	127727*
x	200	127728*
x	200	127718*
x	200	127719*
x	200	127738*
x	200	127739*
x	200	127740*
x	200	127741*
x	200	127742*
x	200	127743*
x	200	127729*
x	200	127735*
x	200	127736*
x	200	127737*
x	200	127748*
x	200	127749*
x	200	127750*
x	200	127751*

DIN 915, dog point, internal hexagon, steel 45H, zinc plated		
Dimensions	PU Piece	Article No.
x	200	127752*
x	200	127753*
x	200	127744*
x	200	127745*
x	200	127747*
x	200	127756*
x	200	127757*
x	200	127758*
x	200	127759*
x	200	127760*
x	200	127761*
x	100	127762*
x	100	127763*
x	100	127765*
x	100	127766*
x	200	127754*
x	200	127755*
x	200	127768*
x	200	127769*
x	200	127770*
x	200	127771*
x	200	127772*
x	100	127773*
x	100	127774*
x	100	127775*
x	100	127776*
x	200	127767*

* = The delivery time is 10 days
AGR: 00.276

DIN 915, dog point, internal hexagon, stainless steel A2



1



Thread	M 3	M 4	M 5	M 6	M 8
Thread Pitch mm	0.5 mm	0.7 mm	0.8 mm	1 mm	1.25 mm
Wrench Width	1.5 mm	2 mm	2.5 mm	3 mm	4 mm
Thread	M 10	M 12			
Thread Pitch mm	1.5 mm	1.75 mm			
Wrench Width	5 mm	6 mm			

DIN 915, dog point, internal hexagon, stainless steel A2

Dimensions	PU Piece	Article No.
x	200	095248*
x	200	095249*
x	200	095250*
x	200	095251*
x	200	095252*
x	200	095253*
x	200	095254*
x	200	095255*
x	200	095256*
x	200	095257*
x	200	095258*
x	100	095259*
x	100	095260*
x	100	095261*
x	100	095262*
x	100	095263*

DIN 915, dog point, internal hexagon, stainless steel A2

Dimensions	PU Piece	Article No.
x	100	095264*
x	100	095266*
x	100	095267*
x	100	095268*
x	100	095269*
x	500	095204*
x	500	095205*
x	500	095206*
x	500	095207*
x	500	095199*
x	500	095200*
x	500	095201*
x	500	095202*
x	500	095203*
x	500	095212*
x	500	095213*

DIN 915, dog point, internal hexagon, stainless steel A2

Dimensions	PU Piece	Article No.
x	500	095215*
x	500	095216*
x	500	095208*
x	500	095209*
x	500	095210*
x	500	095211*
x	500	095220*
x	500	095221*
x	500	095222*
x	500	095223*
x	200	095224*
x	500	095217*
x	500	095218*
x	500	095219*
x	200	095227*
x	200	095228*

INTERNAL/Approved (2019-03-22 13:40:43)

Metric and inch screws

1

DIN 915, dog point, internal hexagon, stainless steel A2

Dimensions	PU Piece	Article No.
x	200	095229*
x	200	095230*
x	200	095231*
x	200	095232*
x	200	095233*
x	200	095234*
x	200	095235*
x	200	095236*

DIN 915, dog point, internal hexagon, stainless steel A2

Dimensions	PU Piece	Article No.
x	200	095225*
x	200	095226*
x	200	095238*
x	200	095239*
x	200	095240*
x	200	095241*
x	200	095242*
x	200	095243*

DIN 915, dog point, internal hexagon, stainless steel A2

Dimensions	PU Piece	Article No.
x	200	095244*
x	200	095245*
x	200	095246*
x	200	095247*
x	200	095237*

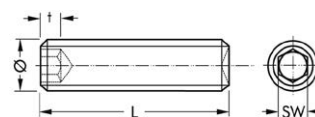
* = The delivery time is 14 days
AGR: 00.276

DIN 916, cup point, internal hexagon, steel 45H, zinc plated

- Electroplated version: Quality 8.8
- Hexagon with cup point and metric threads

Hints

- Attention: not suitable for tension load (not tempered)



Thread	M 3	M 4	M 5	M 6	M 8
Thread Pitch mm	0.5 mm	0.7 mm	0.8 mm	1 mm	1.25 mm
Wrench Width	1.5 mm	2 mm	2.5 mm	3 mm	4 mm
Thread	M 10	M 12	M 16	M 20	
Thread Pitch mm	1.5 mm	1.75 mm	2 mm	2.5 mm	
Wrench Width	5 mm	6 mm	8 mm	10 mm	

DIN 916, cup point, internal hexagon, steel 45H, zinc plated

Dimensions	PU Piece	Article No.
x	200	125740*
x	200	125741*
x	200	125742*

DIN 916, cup point, internal hexagon, steel 45H, zinc plated

Dimensions	PU Piece	Article No.
x	200	125743*
x	200	125744*
x	100	125745*

DIN 916, cup point, internal hexagon, steel 45H, zinc plated

Dimensions	PU Piece	Article No.
x	100	125746*
x	100	125747*
x	100	125748*

INTERNAL/Approved (2019-03-22 13:40:56)

Metric and inch screws

1

DIN 916, cup point, internal hexagon, steel 45H, zinc plated		
Dimensions	PU Piece	Article No.
x	100	125749*
x	100	125750*
x	100	125751*
x	100	125752*
x	200	125739*
x	100	125753*
x	100	125754*
x	100	125755*
x	100	125756*
x	100	125757*
x	100	125758*
x	100	125759*
x	100	125760*
x	100	125761*
x	100	125762*
x	50	125763*
x	100	125764*
x	100	125765*
x	100	125766*
x	100	125767*
x	100	125769*
x	50	125770*
x	50	125771*
x	50	125772*
x	50	125773*
x	25	125775*
x	100	125776*

DIN 916, cup point, internal hexagon, steel 45H, zinc plated		
Dimensions	PU Piece	Article No.
x	50	125777*
x	200	125684*
x	200	125685*
x	200	125686*
x	200	125687*
x	200	125679*
x	200	125680*
x	200	125681*
x	200	125682*
x	200	125683*
x	200	125692*
x	200	125693*
x	200	125694*
x	200	125695*
x	200	125688*
x	200	125689*
x	200	125690*
x	200	125691*
x	200	125699*
x	200	125700*
x	200	125707*
x	200	125708*
x	200	125709*
x	200	125710*
x	100	125711*
x	200	125696*
x	200	125697*

DIN 916, cup point, internal hexagon, steel 45H, zinc plated		
Dimensions	PU Piece	Article No.
x	200	125698*
x	200	125715*
x	200	125716*
x	200	125717*
x	200	125718*
x	200	125719*
x	200	125720*
x	100	125721*
x	100	125722*
x	100	125723*
x	100	125724*
x	200	125712*
x	200	125713*
x	200	125714*
x	200	125727*
x	200	125728*
x	200	125729*
x	200	125732*
x	200	125733*
x	100	125734*
x	100	125735*
x	100	125736*
x	100	125737*
x	100	125738*
x	200	125725*
x	200	125726*

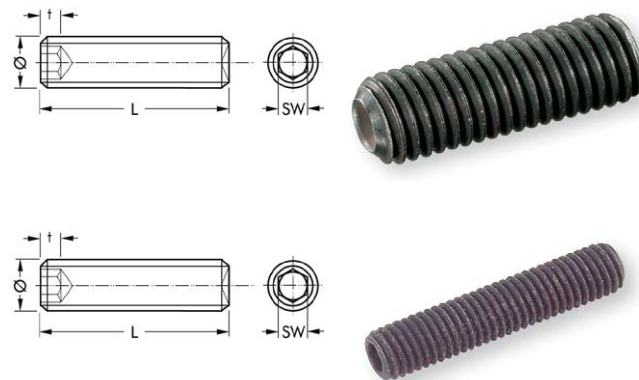
* = The delivery time is 10 days
 AGR: 00.250

INTERNAL/Approved (2019-03-22 13:41:22)

Metric and inch screws

1 DIN 916, cup point, internal hexagon, steel 45H, plain

- Black finish
- Hexagon with cup point and metric threads



Thread	M 4	M 5	M 6	M 8	M 10
Thread Pitch mm	0.7 mm	0.8 mm	1 mm	1.25 mm	1.5 mm
Wrench Width	2 mm	2.5 mm	3 mm	4 mm	5 mm
Thread	M 12	M 16			
Thread Pitch mm	1.75 mm	2 mm			
Wrench Width	6 mm	8 mm			

DIN 916, cup point, internal hexagon, steel 45H, plain

Dimensions	PU Piece	Article No.
M 4 x 6	100	563978*
M 4 x 10	100	020169*
M 4 x 16	100	020170*
M 5 x 5	200	143361*
M 5 x 6	100	143368*
M 5 x 10	100	020171*
M 5 x 16	100	020172*
M 5 x 20	100	020173*
M 6 x 6	100	143369*
M 6 x 8	100	143370*
M 6 x 10	100	020174*

DIN 916, cup point, internal hexagon, steel 45H, plain

Dimensions	PU Piece	Article No.
M 6 x 16	200	020175*
M 6 x 20	100	716901*
M 8 x 8	200	143373*
M 8 x 10	100	022335*
M 8 x 12	200	143362*
M 8 x 16	100	020177*
M 8 x 20	100	020178*
M 8 x 30	100	020179*
M 8 x 40	100	022336*
M 10 x 10	50	022337*
M 10 x 12	200	143363*

DIN 916, cup point, internal hexagon, steel 45H, plain

Dimensions	PU Piece	Article No.
M 10 x 16	50	022338*
M 10 x 20	50	022339*
M 10 x 30	100	022340*
M 10 x 40	100	022341*
M 12 x 12	25	143365*
M 12 x 16	100	022342*
M 12 x 20	100	022343*
M 12 x 30	25	022344*
M 12 x 40	100	022345*
M 16 x 30	25	143367*

* = The delivery time is 10 days
AGR: 00.250

DIN 916, cup point, internal hexagon, stainless steel A2

- Stainless Steel version: A2
- Hexagon with cup point and metric threads



Thread	M 3	M 4	M 5	M 6	M 8
Thread Pitch mm	0.5 mm	0.7 mm	0.8 mm	1 mm	1.25 mm
Wrench Width	1.5 mm	2 mm	2.5 mm	3 mm	4 mm
Thread	M 10	M 12	M 16		
Thread Pitch mm	1.5 mm	1.75 mm	2 mm		
Wrench Width	5 mm	6 mm	8 mm		

DIN 916, cup point, internal hexagon, stainless steel A2		
Dimensions	PU Piece	Article No.

M 3 x 3	500	095270*
M 3 x 4	500	095271*
M 3 x 5	500	095272*
M 3 x 6	500	157653*
M 3 x 8	500	157654*
M 3 x 10	500	095274*
M 3 x 12	500	157655*
M 3 x 16	500	095275*
M 3 x 20	500	095276*
M 3 x 25	500	095273*
M 4 x 4	500	095277*
M 4 x 5	500	095278*

DIN 916, cup point, internal hexagon, stainless steel A2		
Dimensions	PU Piece	Article No.

M 4 x 6	500	023990*
M 4 x 8	500	157657*
M 4 x 10	500	913592*
M 4 x 12	500	095279*
M 4 x 16	500	023992*
M 4 x 20	500	095280*
M 4 x 25	500	095282*
M 4 x 30	200	095283*
M 4 x 35	200	095284*
M 5 x 5	500	156828*
M 5 x 6	500	913594*
M 5 x 8	500	100045*

DIN 916, cup point, internal hexagon, stainless steel A2		
Dimensions	PU Piece	Article No.

M 5 x 10	500	913595*
M 5 x 12	500	157658*
M 5 x 16	500	913596*
M 5 x 20	500	023995*
M 5 x 25	200	095285*
M 5 x 30	200	095286*
M 5 x 35	200	095287*
M 5 x 40	200	095288*
M 6 x 6	200	913597*
M 6 x 8	200	157659*
M 6 x 10	200	913598*
M 6 x 12	200	157661*

INTERNAL/Approved (2019-03-22 13:42:57)

Metric and inch screws

1

DIN 916, cup point, internal hexagon, stainless steel A2		
Dimensions	PU Piece	Article No.
M 6 x 16	200	023997*
M 6 x 20	200	023998*
M 6 x 25	200	157662*
M 6 x 30	200	095289*
M 6 x 35	200	095290*
M 6 x 40	200	095291*
M 6 x 50	200	095292*
M 6 x 60	200	095293*
M 8 x 6	200	095294*
M 8 x 8	200	095295*
M 8 x 10	200	913600*
M 8 x 12	200	157663*
M 8 x 16	200	024000*
M 8 x 20	200	913601*
M 8 x 25	200	095296*
M 8 x 30	200	913602*
M 8 x 35	200	095297*
M 8 x 40	200	095298*
M 8 x 45	200	095299*
M 8 x 50	200	095300*

DIN 916, cup point, internal hexagon, stainless steel A2		
Dimensions	PU Piece	Article No.
M 8 x 60	200	095301*
M 8 x 70	200	095302*
M 8 x 80	200	095304*
M 10 x 10	200	913604*
M 10 x 12	200	095305*
M 10 x 16	200	024003*
M 10 x 20	200	913605*
M 10 x 25	100	095306*
M 10 x 30	100	024005*
M 10 x 35	100	095307*
M 10 x 40	100	095308*
M 10 x 50	100	095309*
M 10 x 60	100	095310*
M 12 x 12	100	095312*
M 12 x 16	100	095313*
M 12 x 20	100	095314*
M 12 x 25	100	095315*
M 12 x 30	100	095316*
M 12 x 35	100	095317*
M 12 x 40	100	095318*

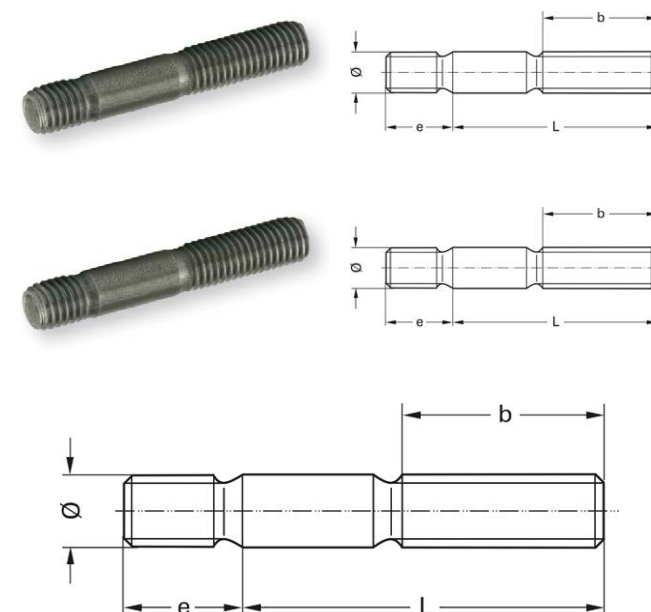
DIN 916, cup point, internal hexagon, stainless steel A2		
Dimensions	PU Piece	Article No.
M 12 x 45	100	095319*
M 12 x 50	100	095321*
M 12 x 55	100	095322*
M 12 x 60	100	095323*
M 12 x 70	50	095324*
M 12 x 80	50	095325*
M 12 x 90	50	095326*
M 16 x 16	50	095327*
M 16 x 20	50	095328*
M 16 x 25	50	095329*
M 16 x 30	50	095330*
M 16 x 35	50	095331*
M 16 x 40	50	095332*
M 16 x 45	50	095333*
M 16 x 50	50	095334*
M 16 x 60	50	095335*
M 16 x 70	50	095336*
M 16 x 80	25	095337*
M 16 x 90	25	095339*

* = The delivery time is 14 days
AGR: 00.251

DIN 938, steel 8.8, zinc plated



1



Title	Thread	PU Piece	Article No.
Stud screw	M 12 x 25	100	152510
Stud screw	M 6 x 20	500	152528

AGR: 00.259

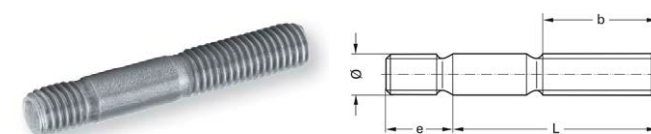
DIN 939, steel 5.8, zinc plated

Application Area

- Studs are used for screwing into cast iron parts and for screwing of housing parts on engine and gear

Characteristics

- threaded end $e = 1.25 \times \varnothing$



Thread	M 8	M 10	M 12	M 16	M 20
Thread Pitch mm	1.25 mm	1.5 mm	1.75 mm	2 mm	2.5 mm
Screwing Depth	10 mm	12 mm	15 mm	20 mm	25 mm

INTERNAL/Approved (2019-03-22 13:43:39)

Metric and inch screws

1

DIN 939, steel 5.8, zinc plated		
Dimensions	PU Piece	Article No.
x	100	126600*
x	100	126601*
x	100	126602*
x	100	126603*
x	100	126604*
x	100	126605*
x	100	126606*
x	50	126607*

DIN 939, steel 5.8, zinc plated		
Dimensions	PU Piece	Article No.
x	50	126608*
x	50	126609*
x	50	126610*
x	50	126611*
x	50	126612*
x	25	126613*
x	25	126614*
x	25	126615*

DIN 939, steel 5.8, zinc plated		
Dimensions	PU Piece	Article No.
x	25	126616*
x	25	126617*
x	25	126618*
x	25	126619*
x	100	126597*
x	100	126598*
x	100	126599*

* = The delivery time is 10 days
AGR: 00.254

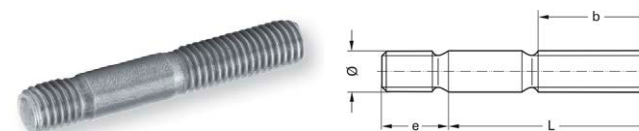
DIN 939, steel 8.8, zinc plated

Application Area

- Studs are used for screwing into cast iron parts and for screwing of housing parts on engine and gear

Characteristics

- threaded end $e = 1.25 \times \varnothing$



Thread	M 6	M 8	M 10	M 12	M 16
Thread Pitch mm	1 mm	1.25 mm	1.5 mm	1.75 mm	2 mm
Screwing Depth	7.5 mm	10 mm	12 mm	15 mm	20 mm
Thread	M 20	M 24	M 30		
Thread Pitch mm	2.5 mm	3 mm	3.5 mm		
Screwing Depth	25 mm	30 mm	38 mm		

DIN 939, steel 8.8, zinc plated		
Dimensions	PU Piece	Article No.
x	25	126640*
x	25	126641*
x	25	126642*
x	50	126626*
x	50	126627*
x	50	126628*

DIN 939, steel 8.8, zinc plated		
Dimensions	PU Piece	Article No.
x	50	126629*
x	50	126630*
x	50	126631*
x	50	126633*
x	50	126634*
x	50	126635*

DIN 939, steel 8.8, zinc plated		
Dimensions	PU Piece	Article No.
x	50	126637*
x	25	126638*
x	25	126639*
x	10	126654*
x	25	126655*
x	25	126656*

INTERNAL/Approved (2019-03-22 13:43:45)

DIN 939, steel 8.8, zinc plated		
Dimensions	PU Piece	Article No.
x	50	126643*
x	50	126644*
x	50	126645*
x	50	126646*
x	50	126647*
x	50	126648*
x	25	126649*
x	25	126650*
x	25	126651*
x	25	126652*
x	25	126653*
x	10	126666*
x	10	126667*
x	10	126668*
x	25	126657*
x	25	126658*
x	25	126659*
x	25	126660*

DIN 939, steel 8.8, zinc plated		
Dimensions	PU Piece	Article No.
x	25	126661*
x	25	126662*
x	10	126663*
x	10	126664*
x	10	126665*
x	10	126677*
x	10	126678*
x	10	126679*
x	10	126680*
x	10	126669*
x	10	126670*
x	10	126671*
x	10	126672*
x	10	126673*
x	10	126674*
x	10	126675*
x	10	126676*
x	1	126686*

DIN 939, steel 8.8, zinc plated		
Dimensions	PU Piece	Article No.
x	1	126687*
x	1	126688*
x	1	126689*
x	1	126690*
x	1	126691*
x	10	126681*
x	10	126682*
x	1	126683*
x	1	126684*
x	1	126685*
x	1	126693*
x	1	126692*
x	100	126620*
x	100	126621*
x	100	126623*
x	50	126624*
x	50	126625*

* = The delivery time is 10 days
AGR: 00.254

DIN 939, steel 5.6, plain

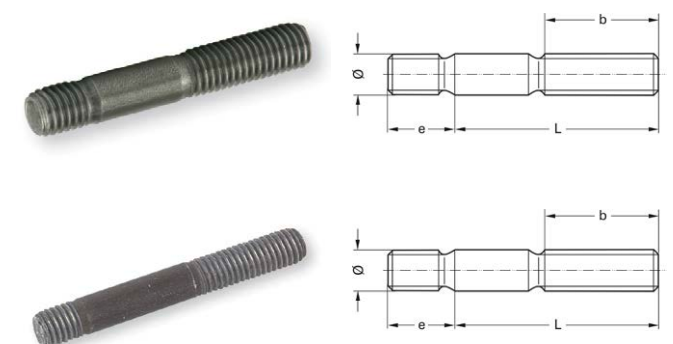
- Black finish: Quality 5.8
- Metric

Application Area

- Studs are used for screwing into cast iron parts and for screwing of housing parts on engine and gear

Characteristics

- Screw-in $e = 1,25 \times \varnothing$



Thread	M 6	M 8	M 10	M 12
Thread Pitch mm	1 mm	1.25 mm	1.5 mm	1.75 mm
Screwing Depth	7.5 mm	10 mm	12 mm	15 mm

Metric and inch screws

1

DIN 939, steel 5.6, plain		
Dimensions	PU Piece	Article No.
M 6 x 25	25	009210
M 6 x 30	25	009229
M 6 x 35	25	009237
M 6 x 40	25	009245
M 8 x 25	25	009270
M 8 x 30	25	009288
M 8 x 35	25	009296
M 8 x 40	25	009300

DIN 939, steel 5.6, plain		
Dimensions	PU Piece	Article No.
M 8 x 45	10	009318*
M 8 x 50	25	009326
M 8 x 55	10	009334*
M 8 x 60	25	009342*
M 10 x 25	25	009350
M 10 x 30	25	009369
M 10 x 35	10	009377
M 10 x 40	10	009385

DIN 939, steel 5.6, plain		
Dimensions	PU Piece	Article No.
M 10 x 45	10	009393*
M 10 x 50	10	009407
M 10 x 55	100	009415*
M 10 x 60	10	009423*
x	25	167971

* = The delivery time is 30 days
AGR: 00.254

DIN 976-1, shape A, steel 4.8, zinc plated, 1 meter

- x
-

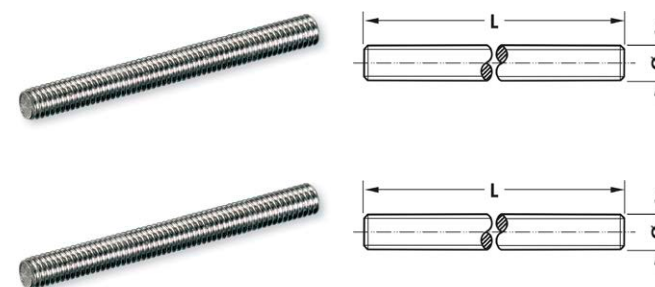
Characteristics

- Shape A = without crests

Hints

- Former DIN 975

DIN 976-1, shape A, steel 4.8, zinc plated, 1 meter					
Title	Thread	Thread Pitch mm	Length	PU Piece	Article No.
Threaded rod	M 2	0.4 mm	1 m	1	126913*
Threaded rod	M 2.5	0.45 mm	1 m	1	126914*
Threaded rod	M 3	0.5 mm	1 m	1	249700
Threaded rod	M 3.5	0.6 mm	1 m	1	126915*
Threaded rod	M 4	0.7 mm	1 m	1	204331
Threaded rod	M 5	0.8 mm	1 m	1	204340
Threaded rod	M 6	1 mm	1 m	1	165670
Threaded rod	M 8	1.25 mm	1 m	1	165689
Threaded rod	M 10	1.5 mm	1 m	1	165697



DIN 976-1, shape A, steel 4.8, zinc plated, 1 meter

Title	Thread	Thread Pitch mm	Length	PU Piece	Article No.
Threaded rod	M 12	1.75 mm	1 m	1	165700
Threaded rod	M 14	2 mm	1 m	1	181277
Threaded rod	M 16	2 mm	1 m	1	181285
Threaded rod	M 18	2.5 mm	1 m	1	181293
Threaded rod	M 20	2.5 mm	1 m	1	162590
Threaded rod	M 22	2.5 mm	1 m	1	124150
Threaded rod	M 24	3 mm	1 m	1	242691
Threaded rod	M 27	3 mm	1 m	1	935825*
Threaded rod	M 30	3.5 mm	1 m	1	517925
Threaded rod	M 33	3.5 mm	1 m	1	126916*
Threaded rod	M 36	4 mm	1 m	1	126917*
Threaded rod	M 39	4 mm	1 m	1	126920*
Threaded rod	M 42	4.5 mm	1 m	1	126921*
Threaded rod	M 45	4.5 mm	1 m	1	126922*
Threaded rod	M 48	5 mm	1 m	1	126923*

* = The delivery time is 10 days

AGR: 00.260

DIN 976-1, shape A, steel 4.8, zinc plated, 2 meters

1

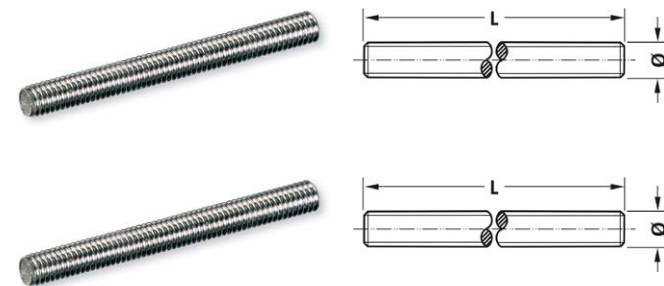
- x
-

Characteristics

- Shape A = without crests

Hints

- Former DIN 975



DIN 976-1, shape A, steel 4.8, zinc plated, 2 meters

Title	Thread	Thread Pitch mm	Length	PU Piece	Article No.
Threaded rod	M 6	1 mm	2 m	1	933146
Threaded rod	M 8	1.25 mm	2 m	1	592668
Threaded rod	M 10	1.5 mm	2 m	1	592676
Threaded rod	M 12	1.75 mm	2 m	1	106745
Threaded rod	M 14	2 mm	2 m	1	126924
Threaded rod	M 16	2 mm	2 m	1	106748
Threaded rod	M 18	2.5 mm	2 m	1	126925
Threaded rod	M 20	2.5 mm	2 m	1	109338
Threaded rod	M 22	2.5 mm	2 m	1	126926*
Threaded rod	M 24	3 mm	2 m	1	109340*
Threaded rod	M 27	3 mm	2 m	1	126927*
Threaded rod	M 30	3.5 mm	2 m	1	126928*
Threaded rod	M 36	4 mm	2 m	1	126929*

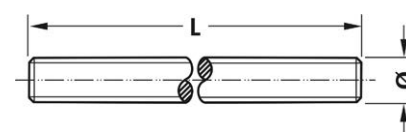
* = The delivery time is 10 days

AGR: 00.260

DIN 976-1, shape A, steel 4.8, zinc plated, 3 meters

DIN 976-1, shape A, steel 4.8, zinc plated, 3 meters					
Title	Thread	Thread Pitch mm	Length	PU Piece	Article No.
Threaded rod	M 8	1.25 mm	3 m	1	859798
Threaded rod	M 10	1.5 mm	3 m	1	502936
Threaded rod	M 12	1.75 mm	3 m	1	502944
Threaded rod	M 14	2 mm	3 m	1	502952
Threaded rod	M 16	2 mm	3 m	1	502960
Threaded rod	M 20	2.5 mm	3 m	1	902896
Threaded rod	M 24	3 mm	3 m	1	008037

AGR: 00.260



1

1 DIN 976-1, shape A, steel 8.8, zinc plated, 1 meter

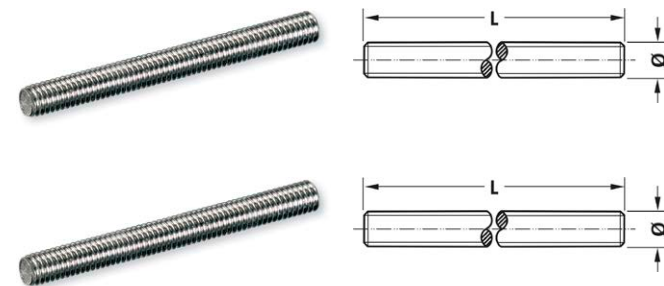
- Electro-plated version: Quality 8.8
- Colour code: yellow
- Length: 1m

Characteristics

- Shape A = without crests

Hints

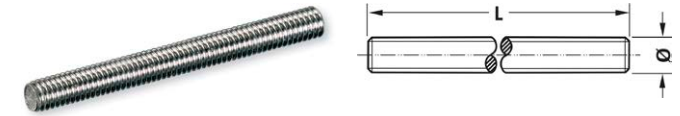
- Former DIN 975



DIN 976-1, shape A, steel 8.8, zinc plated, 1 meter					
Title	Thread	Thread Pitch mm	Length	PU Amount	Article No.
Threaded rod	M 4	0.7 mm	1 m	1	126930
Threaded rod	M 5	0.8 mm	1 m	1	591378
Threaded rod	M 6	1 mm	1 m	1	916522
Threaded rod	M 8	1.25 mm	1 m	1	916523
Threaded rod	M 10	1.5 mm	1 m	1	517950
Threaded rod	M 12	1.75 mm	1 m	1	517968
Threaded rod	M 14	2 mm	1 m	1	916526
Threaded rod	M 16	2 mm	1 m	1	517984
Threaded rod	M 18	2.5 mm	1 m	1	517992
Threaded rod	M 20	2.5 mm	1 m	1	518000
Threaded rod	M 22	2.5 mm	1 m	1	592625
Threaded rod	M 24	3 mm	1 m	1	591386
Threaded rod	M 27	3 mm	1 m	1	924768*
Threaded rod	M 30	3.5 mm	1 m	1	536261
Threaded rod	M 33	3.5 mm	1 m	1	063097*
Threaded rod	M 36	4 mm	1 m	1	063098*
Threaded rod	M 42	4.5 mm	1 m	1	063103*
Threaded rod	M 48	5 mm	1 m	1	126931*

* = The delivery time is 10 days
 AGR: 00.264

DIN 976-1, shape A, steel 10.9, zinc plated, 1 meter



Characteristics

- Risk of hydrogen embrittlement: In galvanic coatings on high strength parts with a tensile strength of 1000 N / mm² (eg, 10.9, 12.9) and springy Share with hardness of 320 HV, the risk of hydrogen embrittlement (brittle fracture) can not be excluded with certainty - see technical information
- Form A = without crests

DIN 976-1, shape A, steel 10.9, zinc plated, 1 meter					
Title	Thread	Thread Pitch mm	Length	PU Piece	Article No.
Threaded rod	M 5	0.8 mm	1 m	1	044999
Threaded rod	M 6	1 mm	1 m	1	045000
Threaded rod	M 8	1.25 mm	1 m	1	045001
Threaded rod	M 10	1.5 mm	1 m	1	045003
Threaded rod	M 12	1.75 mm	1 m	1	045006
Threaded rod	M 16	2 mm	1 m	1	045008
Threaded rod	M 20	2.5 mm	1 m	1	045011
Threaded rod	M 24	3 mm	1 m	1	126932
Threaded rod	M 30	3.5 mm	1 m	1	126933
Threaded rod	M 36	4 mm	1 m	1	126935*
Threaded rod	M 42	4.5 mm	1 m	1	126936*

* = The delivery time is 10 days

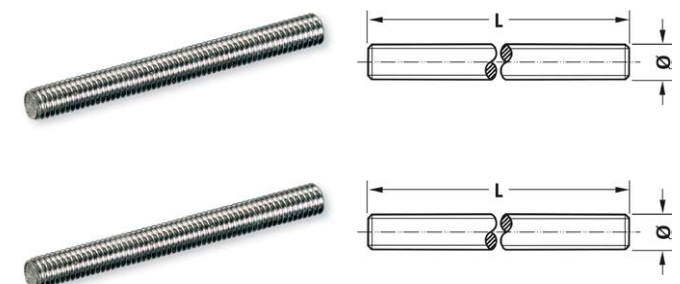
AGR: 00.265

DIN 976-1, shape A, stainless steel A2, 1 meter

- Stainless Steel version: A2
- Colour code: green
- Length: 1m

Characteristics

- Shape A = without crests



INTERNAL/Approved (2019-03-22 13:45:21)

Hints

- Former DIN 975



DIN 976-1, shape A, stainless steel A2, 1 meter

Title	Thread	Thread Pitch mm	Length	PU Amount	Article No.
Threaded rod	M 2	0.4 mm	1 m	20	095982*
Threaded rod	M 3	0.5 mm	1 m	1	105694
Threaded rod	M 4	0.7 mm	1 m	1	105724
Threaded rod	M 5	0.8 mm	1 m	1	080896
Threaded rod	M 6	1 mm	1 m	1	033073
Threaded rod	M 8	1.25 mm	1 m	1	023094
Threaded rod	M 10	1.5 mm	1 m	1	316997
Threaded rod	M 12	1.75 mm	1 m	1	319988
Threaded rod	M 14	2 mm	1 m	1	073180
Threaded rod	M 16	2 mm	1 m	1	066702
Threaded rod	M 18	2.5 mm	1 m	1	023769
Threaded rod	M 20	2.5 mm	1 m	1	073210
Threaded rod	M 22	2.5 mm	1 m	1	518026
Threaded rod	M 24	3 mm	1 m	1	257524
Threaded rod	M 27	3 mm	1 m	5	063115*
Threaded rod	M 30	3.5 mm	1 m	1	063116
Threaded rod	M 36	4 mm	1 m	5	095983*
Threaded rod	M 39	4 mm	1 m	5	095984*
Threaded rod	M 48	5 mm	1 m	5	095985*

* = The delivery time is 14 days

AGR: 00.267

DIN 976-1, shape A, stainless steel A2, 2 meters

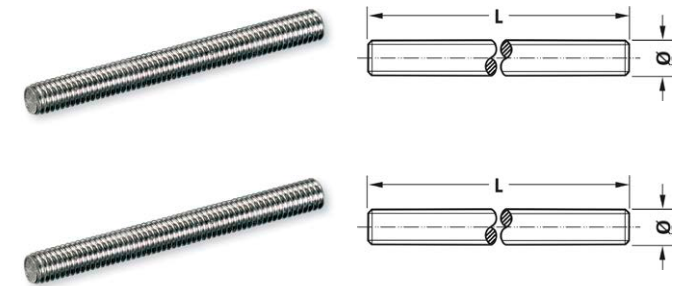
- Stainless Steel version: A2
- Colour code: green
- Length: 2 metres

Characteristics

- Shape A = without crests

Hints

- Former DIN 975



DIN 976-1, shape A, stainless steel A2, 2 meters					
Title	Thread	Thread Pitch mm	Length	PU Piece	Article No.
Threaded rod	M 6	1 mm	2 m	1	095991*
Threaded rod	M 8	1.25 mm	2 m	1	095993*
Threaded rod	M 10	1.5 mm	2 m	1	095995
Threaded rod	M 12	1.75 mm	2 m	1	095996
Threaded rod	M 14	2 mm	2 m	1	095998*
Threaded rod	M 16	2 mm	2 m	1	096000*
Threaded rod	M 18	2.5 mm	2 m	1	096002*
Threaded rod	M 20	2.5 mm	2 m	1	096003*
Threaded rod	M 22	2.5 mm	2 m	1	096005*
Threaded rod	M 24	3 mm	2 m	1	096007*
Threaded rod	M 27	3 mm	2 m	1	096010*
Threaded rod	M 30	3.5 mm	2 m	1	096011*
Threaded rod	M 33	3.5 mm	2 m	1	096013*

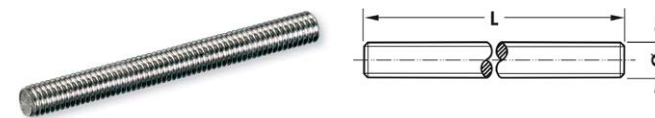
* = The delivery time is 14 days

AGR: 00.267

DIN 976-1, shape A, stainless steel A2, 3 meters

Characteristics

- All from Ø M27 (inclusive) = strength class 50
- All other Ø = class 70
- Form A = without crests



DIN 976-1, shape A, stainless steel A2, 3 meters

Title	Thread	Length	Thread Pitch mm	PU Piece	Article No.
Threaded rod	M 6	3 m	1 mm	1	095992*
Threaded rod	M 8	3 m	1.25 mm	1	095994*
Threaded rod	M 10	3 m	1.5 mm	1	057537
Threaded rod	M 12	3 m	1.75 mm	1	095997*
Threaded rod	M 14	3 m	2 mm	1	095999*
Threaded rod	M 16	3 m	2 mm	1	096001*
Threaded rod	M 20	3 m	2.5 mm	1	096004*
Threaded rod	M 22	3 m	2.5 mm	1	096006*
Threaded rod	M 24	3 m	3 mm	1	096009*
Threaded rod	M 30	3 m	3.5 mm	1	096012*

* = The delivery time is 14 days

AGR: 00.267

DIN 976-1, shape A, stainless steel A4, 1 meter

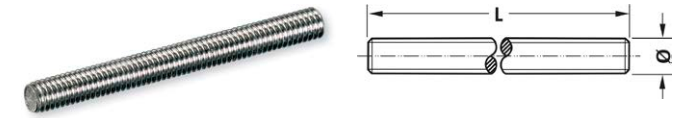
- Suitable for use in accordance with the approval in connection with MULTICOMPOUNDsystems Premium II and Brick

Application Area

- For fixings outdoors and in damp rooms

Characteristics

- Ø M2 and M27 all from (and including) = strength class 50
- All other Ø = class 70
- Form A = without crests



1

DIN 976-1, shape A, stainless steel A4, 1 meter					
Title	Thread	Thread Pitch mm	Length	PU Amount	Article No.
Threaded rod	M 2	0.4 mm	1 m	20	095986*
Threaded rod	M 3	0.5 mm	1 m	1	095987*
Threaded rod	M 4	0.7 mm	1 m	1	025741
Threaded rod	M 5	0.8 mm	1 m	1	025742
Threaded rod	M 6	1 mm	1 m	1	025743
Threaded rod	M 8	1.25 mm	1 m	1	025744
Threaded rod	M 10	1.5 mm	1 m	1	025745
Threaded rod	M 12	1.75 mm	1 m	1	025746
Threaded rod	M 14	2 mm	1 m	1	176020
Threaded rod	M 16	2 mm	1 m	1	176021
Threaded rod	M 18	2.5 mm	1 m	10	095988*
Threaded rod	M 20	2.5 mm	1 m	1	000340*
Threaded rod	M 24	3 mm	1 m	5	034460*
Threaded rod	M 27	3 mm	1 m	5	063126*
Threaded rod	M 30	3.5 mm	1 m	5	063127*
Threaded rod	M 36	4 mm	1 m	5	063128*
Threaded rod	M 48	5 mm	1 m	5	095989*

* = The delivery time is 14 days

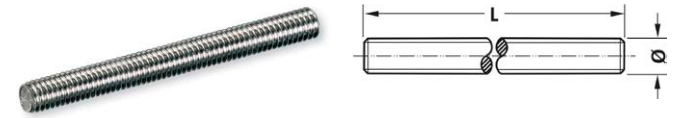
AGR: 00.267

INTERNAL/Approved (2019-03-22 13:46:02)

1 DIN 976-1, shape A, stainless steel A4, 2 meters

Characteristics

- Ø M30 = strength class 50
- All other Ø = class 70
- Form A = without crests



DIN 976-1, shape A, stainless steel A4, 2 meters

Title	Thread	Thread Pitch mm	Length	PU Piece	Article No.
Threaded rod	M 6	1 mm	2 m	1	096014*
Threaded rod	M 8	1.25 mm	2 m	1	096016*
Threaded rod	M 10	1.5 mm	2 m	1	096018*
Threaded rod	M 12	1.75 mm	2 m	1	096020*
Threaded rod	M 16	2 mm	2 m	1	096022*
Threaded rod	M 20	2.5 mm	2 m	1	096024*
Threaded rod	M 24	3 mm	2 m	1	096026*
Threaded rod	M 30	3.5 mm	2 m	1	096028*

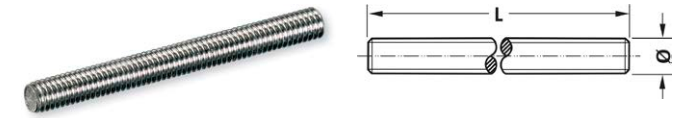
* = The delivery time is 14 days

AGR: 00.267

DIN 976-1, shape A, stainless steel A4, 3 meters

Characteristics

- Ø M30 and M36 = strength class 50
- All other Ø = class 70
- Form A = without crests



1

DIN 976-1, shape A, stainless steel A4, 3 meters					
Title	Thread	Thread Pitch mm	Length	PU Piece	Article No.
Threaded rod	M 6	1 mm	3 m	1	096015*
Threaded rod	M 8	1.25 mm	3 m	1	096017*
Threaded rod	M 10	1.5 mm	3 m	1	096019*
Threaded rod	M 12	1.75 mm	3 m	1	096021*
Threaded rod	M 16	2 mm	3 m	1	096023*
Threaded rod	M 20	2.5 mm	3 m	1	096025*
Threaded rod	M 24	3 mm	3 m	1	096027*
Threaded rod	M 30	3.5 mm	3 m	1	096029*
Threaded rod	M 36	4 mm	3 m	1	096030*

* = The delivery time is 14 days

AGR: 00.267

1

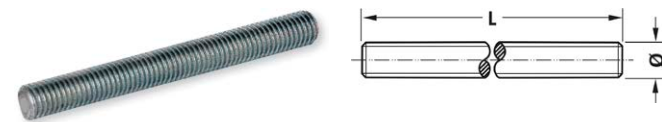
DIN 976-1, shape A, steel 8.8U, hot dip galvanized, 1 meter

Characteristics

- Thread tolerance 6h (6az + tZn = U)
- Form A = without domes

Hints

- Former DIN 975
- Danger of screw-in problems: The hot-dip galvanized threaded rods are manufactured with a threaded under-dimension (tolerance 6az) so that the bolt thread is ISO-matched after hot-dip galvanizing. The use of nuts with a threaded under-dimension (tolerance 6AZ) can lead to screw problems and / or to failure of the connection - see technical information "



DIN 976-1, shape A, steel 8.8U, hot dip galvanized, 1 meter

Title	Thread	Thread Pitch mm	Length	PU Piece	Article No.
Threaded rod	M 10	1.5 mm	1 m	1	149187*
Threaded rod	M 12	1.75 mm	1 m	1	149197
Threaded rod	M 16	2 mm	1 m	1	149198
Threaded rod	M 20	2.5 mm	1 m	1	149199*
Threaded rod	M 24	3 mm	1 m	1	149200*
Threaded rod	M 27	3 mm	1 m	1	149201*
Threaded rod	M 30	3.5 mm	1 m	1	149202*
Threaded rod	M 33	3.5 mm	1 m	1	149206*
Threaded rod	M 36	4 mm	1 m	1	149218*
Threaded rod	M 39	4 mm	1 m	1	149221*
Threaded rod	M 42	4.5 mm	1 m	1	149225*

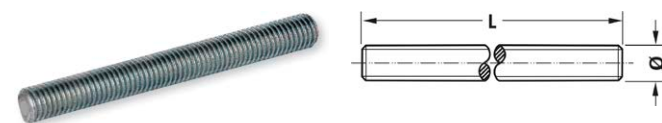
* = The delivery time is 10 days

AGR: 00.259

Stud bolts DIN 976-1, shape A, steel 4.6, zinc plated

Characteristics

- Form A = without crests



Hints

- Item No. 126940 (10x35), 126 942 (10x45), 126953 (10x180), 126954 (10x190) and 126 955 (10x200) are the form B (with conical studs)

Thread	M 8	M 10
Thread Pitch mm	1.25 mm	1.5 mm

Stud bolts DIN 976-1, shape A, steel 4.6, zinc plated		
Dimensions	PU Piece	Article No.
M 8 x 25	100	126050
M 8 x 30	100	126937*
M 8 x 40	100	126051
M 8 x 50	100	126052
M 8 x 60	100	126938*
M 8 x 70	100	126053*
M 8 x 80	100	126060
M 8 x 90	100	126061*
M 8 x 100	100	126062
M 8 x 120	100	126065
M 8 x 130	100	126066*

Stud bolts DIN 976-1, shape A, steel 4.6, zinc plated		
Dimensions	PU Piece	Article No.
M 8 x 140	100	126067*
M 8 x 150	100	126068*
M 10 x 30	100	126939*
M 10 x 40	100	126941*
M 10 x 50	100	126943*
M 10 x 60	100	126944*
M 10 x 70	100	126945*
M 10 x 80	100	126946*
M 10 x 90	100	126947*
M 10 x 100	100	126948*
M 10 x 120	100	126949*

Stud bolts DIN 976-1, shape A, steel 4.6, zinc plated		
Dimensions	PU Piece	Article No.
M 10 x 130	100	126950*
M 10 x 140	100	126951*
M 10 x 150	100	126952*
x	25	126953*
x	25	126954*
x	10	126955*
x	100	126940*
x	100	126942*

* = The delivery time is 30 days
AGR: 00.271

1

Furniture Handle Screws, Zinc Coated Pozidriv

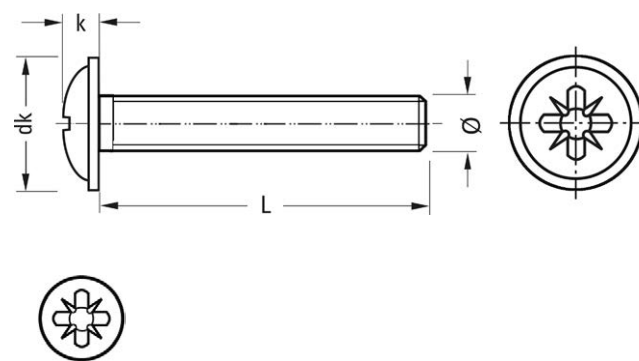
Application Area

- Used for fixing of furniture handles

Technical Data

Material	Steel	Steel	Steel		
Title	Thread	Length	Drive	PU Piece	Article No.
KNURLED SCREW COMBI CR 4X10 ZP	M 4	10 mm	PZD-LS 2	100	571156
KNURLED SCREW COMBI CR 4X12 ZP	M 4	12 mm	PZD-LS 2	100	162536
KNURLED SCREW COMBI CR 4X22 ZP	M 4	22 mm	PZD-LS 2	100	571350
KNURLED SCREW COMBI CR 4X25 ZP	M 4	25 mm	PZD-LS 2	100	571377
KNURLED SCREW COMBI CR 4X30 ZP	M 4	30 mm	PZD-LS 2	100	571415
KNURLED SCREW COMBI CR 4X35 ZP	M 4	35 mm	PZD-LS 2	100	103482
KNURLED SCREW COMBI CR 4X40 ZP	M 4	40 mm	PZD-KS	100	103484
KNURLED SCREW COMBI CR 4X45 ZP	M 4	45 mm	PZD-LS 2	100	937525
KNURLED SCREW COMBI CR 4X50 ZP	M 4	50 mm	PZD-LS 2	100	103483
KNURLED SCREW COMBI CR 4X60 ZP	M 4	60 mm	PZD-LS 2	100	162535

AGR: 00.553



Screw Devices Zinc Plated Yellow

Application Area

- For UP-can program

Characteristics

- With a longitudinal slot, surface-finished

Technical Data

Material Steel zinc plated

Title	Ø	Length	PU Piece	Article No.
APPL.SCREW YELLOW ZP 3.2X15	3.2 mm	15 mm	250	137186
APPL.SCREW YELLOW ZP 3.2X25	3.2 mm	25 mm	250	137187
APPL.SCREW YELLOW ZP 3.2X40	3.2 mm	40 mm	250	137188

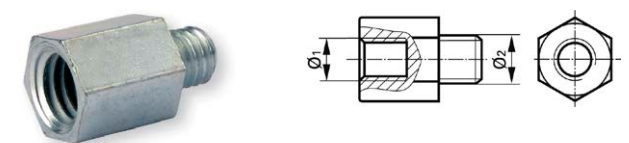
AGR: 00.339 / 12.003



Reducing sockets, steel 4.6, zinc plated

Characteristics

- Hexagonal, female socket / male thread bolts, galvanized steel



Reducing sockets, steel 4.6, zinc plated				
Title	Ø internal	Ø external	PU Piece	Article No.
Reducing socket	8 mm	10 mm	100	430625
Reducing socket	10 mm	8 mm	100	430633

AGR: 01.119

1

DIN 603, truss head with square neck, steel 4.6, zinc plated

- Electrolytic galvanized design: Quality 4.6
- Lock bolts: with square under the head and metric thread
- Packed not screwed together

Application Area

- Screwing of wooden parts or of wooden and metal parts

Characteristics

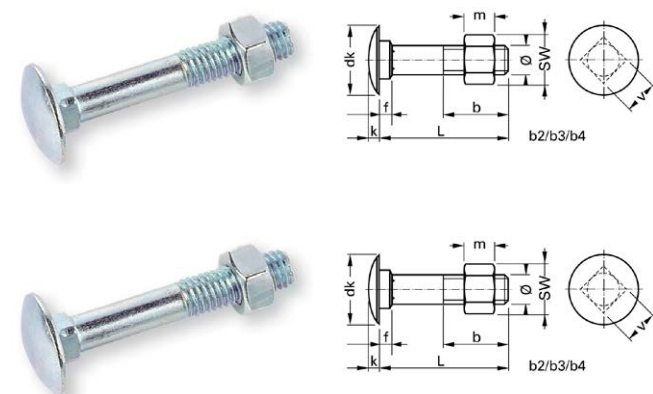
- Without hexagon nut

Processing Information

- The square neck is sunk in the wood
- For the screw connection of two wooden parts, a larger washer should be placed under the nut

Hints

- ISO 8677 screw (standard retracted); ISO 4034- Nut-DIN-ISO
Differences see table



Thread	M 5	M 6	M 8	M 10	M 12	M 16	M 20
Thread Pitch mm	0.8 mm	1 mm	1.25 mm	1.5 mm	1.75 mm	2 mm	2.5 mm
Ø head	13.5 mm	16.55 mm	20.65 mm	24.65 mm	30.65 mm	38.8 mm	46.8 mm
Height Of Head (k)	3.3 mm	3.88 mm	4.88 mm	5.38 mm	6.95 mm	8.95 mm	11.05 mm
Square Ø (v)	5.48 mm	6.48 mm	8.58 mm	10.58 mm	12.7 mm	16.7 mm	20.84 mm
Square Accretion Height (f)	4.1 mm	4.6 mm	5.6 mm	6.6 mm	8.75 mm	12.9 mm	15.9 mm

DIN 603, truss head with square neck, steel 4.6, zinc plated			
Dimensions	Thread length	PU Piece	Article No.
M 5 x 16	16 mm	100	105104
M 5 x 20	16 mm	100	105112
M 5 x 25	16 mm	100	105120
M 5 x 30	16 mm	100	105139
M 5 x 35	16 mm	100	105147
M 5 x 40	16 mm	100	105155

DIN 603, truss head with square neck, steel 4.6, zinc plated			
Dimensions	Thread length	PU Piece	Article No.
M 5 x 50	16 mm	100	233935
M 5 x 60	16 mm	100	233927
M 5 x 80	16 mm	100	502120
M 6 x 16	16 mm	100	105163
M 6 x 20	18 mm	100	105171
M 6 x 25	18 mm	100	105180

DIN 603, truss head with square neck, steel 4.6, zinc plated			
Dimensions	Thread length	PU Piece	Article No.
M 6 x 30	18 mm	100	105198
M 6 x 35	18 mm	100	105201
M 6 x 40	18 mm	100	105210
M 6 x 45	18 mm	100	105228
M 6 x 50	18 mm	100	105236
M 6 x 55	18 mm	100	105244

INTERNAL/Approved (2019-03-22 13:47:07)

Metric and inch screws

1

DIN 603, truss head with square neck, steel 4.6, zinc plated			
Dimensions	Thread length	PU Piece	Article No.
M 6 x 60	18 mm	100	105252
M 6 x 65	18 mm	100	105260
M 6 x 70	18 mm	100	105279
M 6 x 80	18 mm	100	360546
M 6 x 90	18 mm	100	502138
M 6 x 100	18 mm	100	272213
M 6 x 120	18 mm	100	502154
M 8 x 20	20 mm	100	105295
M 8 x 25	22 mm	100	105309
M 8 x 30	22 mm	100	105317
M 8 x 35	22 mm	100	105325
M 8 x 40	22 mm	100	105333
M 8 x 45	22 mm	100	105341
M 8 x 50	22 mm	100	105350
M 8 x 55	22 mm	100	105368
M 8 x 60	22 mm	100	105376
M 8 x 65	22 mm	100	105384
M 8 x 70	22 mm	100	105392
M 8 x 75	22 mm	100	105406
M 8 x 80	22 mm	50	105414
M 8 x 90	22 mm	50	105422
M 8 x 100	22 mm	50	127043
M 8 x 110	22 mm	50	219819
M 8 x 120	22 mm	50	219800
M 8 x 130	28 mm	50	104493
M 8 x 140	28 mm	50	263397
M 8 x 150	28 mm	50	104531
M 8 x 160	28 mm	50	263400
M 10 x 25	25 mm	100	105457
M 10 x 30	26 mm	100	105465
M 10 x 35	26 mm	100	105473

DIN 603, truss head with square neck, steel 4.6, zinc plated			
Dimensions	Thread length	PU Piece	Article No.
M 10 x 40	26 mm	100	105481
M 10 x 45	26 mm	50	105490
M 10 x 50	26 mm	50	105503
M 10 x 55	26 mm	100	105511*
M 10 x 60	26 mm	50	105520
M 10 x 70	26 mm	50	104671
M 10 x 80	26 mm	50	104698
M 10 x 90	26 mm	50	104701
M 10 x 100	26 mm	50	263427
M 10 x 110	26 mm	25	104728
M 10 x 120	26 mm	25	263435
M 10 x 130	32 mm	25	104744
M 10 x 140	32 mm	25	242373
M 10 x 150	32 mm	25	104760
M 10 x 160	32 mm	25	112380
M 10 x 170	32 mm	50	934501*
M 10 x 180	32 mm	25	214833
M 10 x 200	32 mm	25	242381
M 10 x 240	45 mm	25	935981*
M 12 x 30	30 mm	100	026815*
M 12 x 40	30 mm	50	104868
M 12 x 50	30 mm	50	104884
M 12 x 60	30 mm	50	104906
M 12 x 70	30 mm	50	104922
M 12 x 80	30 mm	25	104949
M 12 x 90	30 mm	50	104957
M 12 x 100	30 mm	25	284700
M 12 x 110	30 mm	25	104973
M 12 x 120	30 mm	25	284718
M 12 x 130	36 mm	25	104990
M 12 x 140	36 mm	25	284726

DIN 603, truss head with square neck, steel 4.6, zinc plated			
Dimensions	Thread length	PU Piece	Article No.
M 12 x 150	36 mm	25	502162
M 12 x 160	36 mm	25	284734
M 12 x 180	36 mm	25	284742
M 12 x 200	36 mm	25	284750
M 12 x 220	49 mm	25	284629*
M 12 x 240	49 mm	25	246085*
M 12 x 250	49 mm	25	531928*
M 12 x 260	49 mm	25	267724*
M 12 x 320	49 mm	25	108147*
M 16 x 55	38 mm	50	123984*
M 16 x 60	38 mm	50	123985*
M 16 x 160	44 mm	25	123997*
M 16 x 220	57 mm	25	124002*
x	45 mm	25	935982*
x	36 mm	25	935984*
x	49 mm	25	246107
x	16 mm	100	502111
x	18 mm	100	533033
x	24 mm	100	915219*
x	18 mm	200	105287*
x	16 mm	100	540064
x	32 mm	50	100255*
x	20 mm	200	154090*
x	45 mm	25	516392
x	45 mm	25	062544*
x	45 mm	25	062545*
x	26 mm	100	100254*
x	26 mm	100	123974*
x	36 mm	25	100260*
x	49 mm	25	246093*
x	49 mm	25	123976*

INTERNAL/Approved (2019-03-22 13:47:51)

Metric and inch screws

1

DIN 603, truss head with square neck, steel 4.6, zinc plated			
Dimensions	Thread length	PU Piece	Article No.
x	30 mm	100	100257*
x	49 mm	25	123977*
x	49 mm	25	123978*
x	49 mm	25	123979*
x	30 mm	100	104876*
x	30 mm	100	123975*
x	30 mm	50	062546*
x	30 mm	50	062547*
x	38 mm	25	123991*
x	38 mm	25	266280*
x	38 mm	25	123992*
x	44 mm	25	123993*
x	44 mm	25	123994*
x	44 mm	25	123995*
x	44 mm	25	123998*
x	44 mm	25	123999*
x	44 mm	25	124000*
x	44 mm	25	124001*
x	57 mm	25	124003*

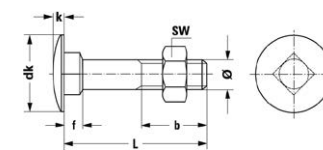
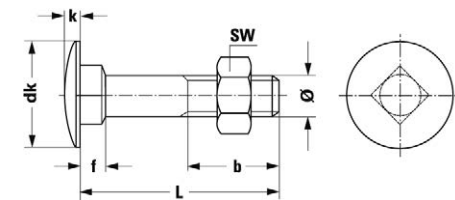
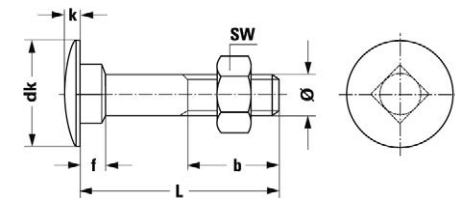
DIN 603, truss head with square neck, steel 4.6, zinc plated			
Dimensions	Thread length	PU Piece	Article No.
x	57 mm	25	124004*
x	57 mm	25	124005*
x	57 mm	25	124006
x	57 mm	10	124007*
x	57 mm	10	124008*
x	35 mm	50	123980*
x	57 mm	10	124009*
x	57 mm	10	124010*
x	57 mm	10	124011*
x	38 mm	50	123981*
x	38 mm	50	123982*
x	38 mm	50	123983*
x	38 mm	25	123986*
x	38 mm	25	123987*
x	38 mm	25	123988*
x	38 mm	25	123989*
x	38 mm	25	123990*
x	46 mm	25	124013*
x	46 mm	25	124014*

DIN 603, truss head with square neck, steel 4.6, zinc plated			
Dimensions	Thread length	PU Piece	Article No.
x	52 mm	1	124016*
x	52 mm	1	124046*
x	52 mm	1	124060*
x	65 mm	1	124095*
x	65 mm	1	124098*
x	65 mm	1	124100*
x	46 mm	25	124012*
x	16 mm	100	502103
x	16 mm	200	932459
x	16 mm	200	100251*
x	16 mm	200	123970
x	24 mm	100	123971*
x	24 mm	100	123972*
x	28 mm	50	100252*
x	28 mm	50	284653
x	28 mm	50	100253
x	28 mm	50	263419

* = The delivery time is 10 days
 AGR: 00.010

DIN 603, truss head with square neck, steel 4.6, plain

1



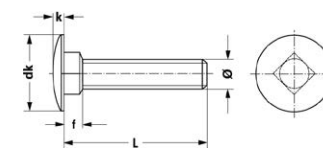
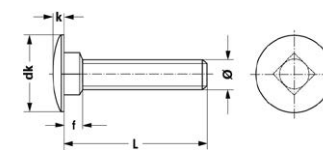
Title	Thread	Drive	PU Piece	Article No.
Truss head screw	M 6 x 20	4KT 6.48	500	152100
AGR: 00.019				

DIN 603, truss head with square neck, steel 8.8, zinc plated without nut

- Electroplated version. Quality 8.8
- Flat round head with square collar
- Metric coarse thread
- Square under the head prevents rotation

Application Area

- Screwing of wooden parts or of wooden and metal parts



Characteristics

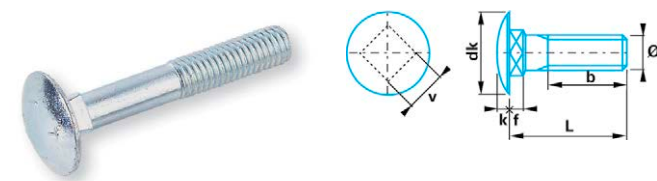
- Without hexagon nut

Processing Information

- The square neck is sunk in the wood
- For the screw connection of two wooden parts, a larger washer should be placed under the nut

Hints

- ~ ISO 8677 Screw (norm withdrawn)



Thread	M 6	M 8	M 10	M 12	M 16
Thread Pitch mm	1 mm	1.25 mm	1.5 mm	1.75 mm	2 mm
Ø head	16.55 mm	20.65 mm	24.65 mm	30.65 mm	38.8 mm
Height Of Head (k)	3.88 mm	4.88 mm	5.38 mm	6.95 mm	8.95 mm
Square Ø (v)	6.48 mm	8.58 mm	10.58 mm	12.7 mm	16.7 mm

DIN 603, truss head with square neck, steel 8.8, zinc plated without nut

Dimensions	Thread length	PU Piece	Article No.
M 6 x 35	18 mm	200	137379*
M 6 x 60	18 mm	200	137384
M 8 x 16	16 mm	200	137386*
M 8 x 25	22 mm	200	137399
M 8 x 35	22 mm	200	137479*
M 8 x 60	22 mm	200	137570*
M 8 x 65	22 mm	200	137588*
M 8 x 80	22 mm	200	137600*
M 8 x 100	22 mm	100	137626*
M 10 x 30	26 mm	200	137669*
M 10 x 35	26 mm	100	137677*
M 10 x 45	26 mm	100	137680*
M 10 x 50	26 mm	100	137681*
M 10 x 55	26 mm	100	137685*
M 10 x 60	26 mm	100	137693*
M 10 x 65	26 mm	100	137707*
M 10 x 70	26 mm	100	137715*
M 10 x 75	26 mm	100	137723*

DIN 603, truss head with square neck, steel 8.8, zinc plated without nut

Dimensions	Thread length	PU Piece	Article No.
M 10 x 80	26 mm	100	137731*
M 12 x 30	30 mm	100	137774*
M 12 x 35	30 mm	100	137782*
M 12 x 40	30 mm	100	137790*
M 12 x 45	30 mm	100	137797*
M 12 x 50	30 mm	100	137804*
M 12 x 60	30 mm	100	137812*
M 12 x 70	30 mm	50	137820*
M 12 x 75	30 mm	50	137837*
M 12 x 80	30 mm	50	137842*
x	26 mm	100	137756*
x	26 mm	100	137758*
x	26 mm	100	137762*
x	20 mm	200	137650*
x	25 mm	200	137665*
x	26 mm	100	137679*
x	26 mm	100	137740*
x	30 mm	50	137848*

DIN 603, truss head with square neck, steel 8.8, zinc plated without nut

Dimensions	Thread length	PU Piece	Article No.
x	30 mm	50	137850*
x	30 mm	50	137852*
x	36 mm	50	137855*
x	30 mm	100	137766*
x	30 mm	50	137847*
x	38 mm	25	137872*
x	38 mm	25	137880*
x	44 mm	25	137884*
x	44 mm	25	137886*
x	44 mm	25	137887*
x	38 mm	50	137856*
x	38 mm	50	137858*
x	38 mm	50	137859*
x	38 mm	50	137863*
x	38 mm	25	137865*
x	38 mm	25	137867*
x	38 mm	25	137869*
x	38 mm	25	137871*

INTERNAL/Approved (2019-03-22 13:49:04)

DIN 603, truss head with square neck, steel 8.8, zinc plated without nut			
Dimensions	Thread length	PU Piece	Article No.
x	10 mm	500	137371*
x	16 mm	500	137374*
x	18 mm	500	137376*
x	18 mm	500	137377
x	18 mm	500	137378*
x	18 mm	200	137380*
x	18 mm	200	137381*

DIN 603, truss head with square neck, steel 8.8, zinc plated without nut			
Dimensions	Thread length	PU Piece	Article No.
x	18 mm	200	137382*
x	18 mm	200	137385*
x	22 mm	100	137631*
x	22 mm	100	137634*
x	28 mm	100	137642*
x	20 mm	200	137387*
x	22 mm	200	137400*

DIN 603, truss head with square neck, steel 8.8, zinc plated without nut			
Dimensions	Thread length	PU Piece	Article No.
x	22 mm	200	137487*
x	22 mm	200	137510*
x	22 mm	200	137529*
x	22 mm	200	137561*
x	22 mm	200	137596*
x	22 mm	100	137618*

* = The delivery time is 10 days
AGR: 00.016

DIN 603, truss head with square neck, stainless steel A2 without nut

- Stainless Steel A2
- Coach bolt with square under the head and metric coarse thread

Application Area

- Screwing of wooden parts or of wooden and metal parts

Characteristics

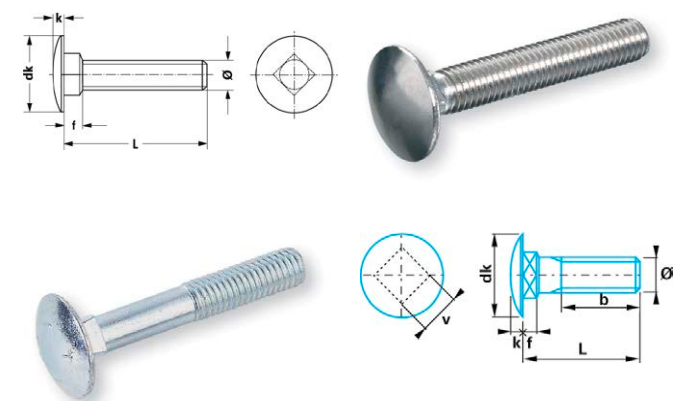
- Without hexagon nut

Processing Information

- The square neck is sunk in the wood
- For the screw connection of two wooden parts, a larger washer should be placed under the nut

Hints

- ~ ISO 8677 Screw (norm withdrawn)
- The screws can be delivered in partial thread and full thread, depending on the manufacturer



Thread	M 5	M 6	M 8	M 10	M 12	M 16
Thread Pitch mm	0.8 mm	1 mm	1.25 mm	1.5 mm	1.75 mm	2 mm
Ø head	13.55 mm	16.55 mm	20.65 mm	24.65 mm	30.65 mm	38.8 mm
Height Of Head (k)	3.3 mm	3.88 mm	4.88 mm	5.38 mm	6.95 mm	8.95 mm
Square Ø (v)	5.48 mm	6.48 mm	8.58 mm	10.58 mm	12.7 mm	16.7 mm

INTERNAL/Approved (2019-03-22 13:49:12)

Metric and inch screws

1

DIN 603, truss head with square neck, stainless steel A2 without nut

Dimensions	Thread length	PU Piece	Article No.
M 5 x 16	16 mm	200	094804
M 5 x 20	16 mm	200	935054
M 5 x 25	16 mm	200	094805
M 5 x 30	16 mm	200	935051
M 5 x 35	16 mm	200	094806
M 5 x 40	16 mm	200	094807
M 5 x 45	16 mm	200	094808*
M 5 x 50	16 mm	200	094809
M 5 x 60	16 mm	200	094810*
M 5 x 70	16 mm	200	094812*
M 6 x 16	18 mm	200	048482
M 6 x 20	18 mm	100	109477
M 6 x 25	18 mm	100	745839
M 6 x 30	18 mm	100	935058
M 6 x 35	18 mm	100	113602
M 6 x 40	18 mm	100	532274
M 6 x 45	18 mm	100	053936
M 6 x 50	18 mm	100	935057
M 6 x 55	18 mm	100	026715*
M 6 x 60	18 mm	100	935056
M 6 x 65	18 mm	100	026717
M 6 x 70	18 mm	100	935052
M 6 x 80	18 mm	100	935069
M 6 x 90	18 mm	100	094813*
M 6 x 100	18 mm	100	094814*
M 6 x 110	18 mm	100	094815*
M 6 x 120	18 mm	100	094816*
M 8 x 16	22 mm	100	094817
M 8 x 20	22 mm	100	113604
M 8 x 25	22 mm	100	113605
M 8 x 30	22 mm	100	113606

DIN 603, truss head with square neck, stainless steel A2 without nut

Dimensions	Thread length	PU Piece	Article No.
M 8 x 35	22 mm	100	113607
M 8 x 40	22 mm	100	935053
M 8 x 45	22 mm	100	113608
M 8 x 50	22 mm	100	113609
M 8 x 55	22 mm	100	054314
M 8 x 60	22 mm	100	521663
M 8 x 65	22 mm	100	094818*
M 8 x 70	22 mm	100	157730
M 8 x 80	22 mm	50	936238
M 8 x 90	22 mm	50	094819*
M 8 x 100	22 mm	50	113610
M 8 x 110	22 mm	50	094821*
M 8 x 120	22 mm	50	094822
M 8 x 140	28 mm	50	094823
M 8 x 150	28 mm	50	094824
M 10 x 20	26 mm	100	113612*
M 10 x 25	26 mm	100	113613*
M 10 x 30	26 mm	50	113614
M 10 x 35	26 mm	100	113615*
M 10 x 40	26 mm	50	113616
M 10 x 45	26 mm	100	094825*
M 10 x 50	26 mm	50	113617
M 10 x 55	26 mm	50	094826*
M 10 x 60	26 mm	50	113618
M 10 x 65	26 mm	50	094827*
M 10 x 70	26 mm	50	034269
M 10 x 80	26 mm	50	157731
M 10 x 90	26 mm	50	094828
M 10 x 100	26 mm	50	094829
M 10 x 110	26 mm	50	094830*
M 10 x 120	26 mm	50	094831

DIN 603, truss head with square neck, stainless steel A2 without nut

Dimensions	Thread length	PU Piece	Article No.
M 10 x 130	32 mm	50	094832*
M 10 x 140	32 mm	50	094833
M 10 x 150	32 mm	50	094834
M 12 x 25	30 mm	50	094835*
M 12 x 30	30 mm	50	094836*
M 12 x 35	30 mm	50	094837*
M 12 x 40	30 mm	50	094839*
M 12 x 45	30 mm	50	094840*
M 12 x 50	30 mm	50	094841*
M 12 x 55	30 mm	50	094842*
M 12 x 60	30 mm	50	094843*
M 12 x 70	30 mm	50	094844*
M 12 x 80	30 mm	50	094845*
M 12 x 100	30 mm	50	094846*
M 12 x 110	30 mm	50	094847*
M 12 x 120	30 mm	50	094848*
M 12 x 130	36 mm	50	094849*
M 12 x 140	36 mm	50	094850*
M 12 x 150	36 mm	50	094851*
M 16 x 40	38 mm	25	094852*
M 16 x 45	38 mm	25	094853*
M 16 x 50	38 mm	25	094855*
M 16 x 60	38 mm	25	094856*
M 16 x 70	38 mm	25	094857*
M 16 x 80	38 mm	25	094858*
M 16 x 90	38 mm	25	094859*
M 16 x 100	38 mm	25	094860*
M 16 x 120	38 mm	25	094861*
M 16 x 150	44 mm	25	094862*

* = The delivery time is 14 days
AGR: 00.018

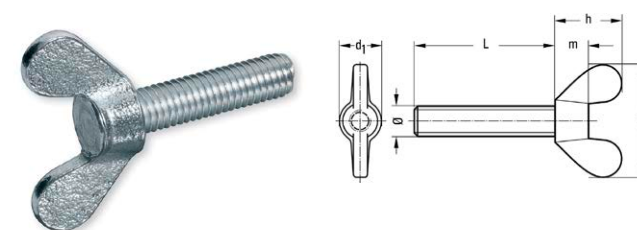
INTERNAL/Approved (2019-03-22 13:49:36)

1

DIN 316, rounded wings, steel/malleable cast iron, zinc plated

Characteristics

- Ø M 8 / M 10 = galvanized steel
- all other Ø = galvanized malleable
- Class of product C



Thread	M 4	M 5	M 6	M 8	M 10	M 12	M 16
Thread Pitch mm	0.7 mm	0.8 mm	1 mm	1.25 mm	1.5 mm	1.75 mm	2 mm
Ø collar	7 mm	9 mm	11 mm	12.5 mm	16.5 mm	19.5 mm	23 mm
Height collar	4.6 mm	6.5 mm	8 mm	10 mm	12 mm	14 mm	17 mm
Head Width	20 mm	26 mm	33 mm	39 mm	51 mm	65 mm	73 mm
Height Of Head (k)	10.5 mm	13 mm	17 mm	20 mm	25 mm	33.5 mm	37.5 mm

DIN 316, rounded wings, steel/malleable cast iron, zinc plated

Dimensions	PU Piece	Article No.
M 6 x 20	100	066799
M 6 x 25	100	066800*
M 6 x 30	100	066801*
M 8 x 10	50	044924*
M 8 x 12	50	044925*
M 8 x 16	50	044966*
M 8 x 20	50	044972*
M 8 x 25	50	044974*
M 8 x 30	50	044975*
M 8 x 35	50	044976*
M 8 x 40	50	044977*
M 8 x 50	50	044978*
M 8 x 60	50	044979*
M 10 x 16	25	044980*
M 10 x 20	25	044981*
M 10 x 25	25	044982*
M 10 x 30	25	044983

DIN 316, rounded wings, steel/malleable cast iron, zinc plated

Dimensions	PU Piece	Article No.
M 10 x 35	25	044984*
M 10 x 40	25	044985*
M 10 x 50	25	044986*
M 12 x 20	25	044987*
M 12 x 25	25	044988*
M 12 x 30	25	044990*
M 12 x 40	25	044991*
M 12 x 50	25	044994*
M 12 x 60	25	044996*
x	100	066804*
x	100	066779*
x	100	066780*
x	100	066781*
x	100	066782
x	100	066783*
x	100	066786*
x	100	066787*

DIN 316, rounded wings, steel/malleable cast iron, zinc plated

Dimensions	PU Piece	Article No.
x	100	066788*
x	100	066789*
x	100	066790*
x	100	066791*
x	100	066792*
x	100	066793*
x	100	066795*
x	100	066796*
x	100	066797*
x	100	066798*
x	100	066802*
x	100	066803*
x	20	123147*
x	20	123148*
x	20	123153*
x	20	123161*
x	20	123163*

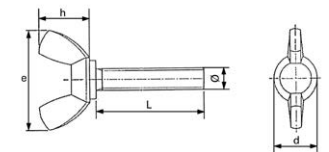
INTERNAL/Approved (2019-03-22 13:50:06)

DIN 316, rounded wings, steel/malleable cast iron, zinc plated		
Dimensions	PU Piece	Article No.
x	10	123175*
x	10	123200*
x	10	123204*

DIN 316, rounded wings, steel/malleable cast iron, zinc plated		
Dimensions	PU Piece	Article No.
x	10	123205*
x	100	123146*
x	100	123145*

* = The delivery time is 10 days
AGR: 00.295

similar DIN 316, edged wings, stainless steel A2



Thread	M 3	M 4	M 5	M 6	M 8
Thread Pitch mm	0.5 mm	0.7 mm	0.8 mm	1 mm	1.25 mm
Ø head	18.5 mm	22 mm	22 mm	26.8 mm	30.3 mm
Height Of Head (k)	8.8 mm	10.5 mm	10.5 mm	12.9 mm	14.8 mm
Thread	M 10				
Thread Pitch mm	1.5 mm				
Ø head	35.3 mm				
Height Of Head (k)	17.3 mm				

similar DIN 316, edged wings, stainless steel A2		
Dimensions	PU Piece	Article No.
x	25	094741*
x	25	094742*
x	25	094743*
x	25	094744*
x	25	094745*
x	25	094746
x	100	094718*
x	100	094719*

similar DIN 316, edged wings, stainless steel A2		
Dimensions	PU Piece	Article No.
x	100	094720*
x	100	094721*
x	50	094723
x	50	094724
x	50	094725
x	50	094726*
x	50	094727
x	50	094728

similar DIN 316, edged wings, stainless steel A2		
Dimensions	PU Piece	Article No.
x	50	094729
x	50	094730
x	50	094731
x	50	094732*
x	50	094733
x	50	094734
x	50	094735
x	50	094736

INTERNAL/Approved (2019-03-22 13:50:21)

Metric and inch screws

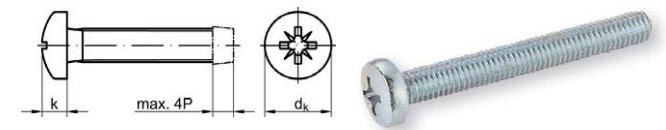
1

similar DIN 316, edged wings, stainless steel A2		
Dimensions	PU Piece	Article No.
x	50	094737
x	50	094738*

similar DIN 316, edged wings, stainless steel A2		
Dimensions	PU Piece	Article No.
x	50	094739
x	50	094740

* = The delivery time is 14 days
AGR: 00.298

DIN 7500-1, shape C-Z, pan head, cross recess (PH), steel zinc plated



1

- Cost saving as no thread-cutting, cleaning, inspection, connection, tools, etc.
- Fiber course in the material is deflected, because of this strain hardening, a high pull-out strength is guaranteed
- A deeper blind hole is not necessary as no chips are produced
- No thread play and therefore no loss of preload force
- Due to a high pull-out strength and preload force, no security elements are needed

Application Area

- Screw connections in plastically ductile metals of a maximum of 135 HB (tensile strength $R_m = 450 \text{ N/mm}^2$), i. e. steel, die-cast, aluminum, brass and copper, without thread-cutting

Characteristics

- Form = CZ lens head to DIN 7985 with PZD Phillips
The complete thread has a trilobular cross section (triangular shape) and a conical expiring end

Processing Information

- Create a core hole, screw in the screw and then tighten the screw

Hints

- For standard values of core holes, please refer to the information pages

Thread	M 3	M 3.5	M 4	M 5	M 6
Thread Pitch mm	0.5 mm	0.6 mm	0.7 mm	0.8 mm	1 mm
Ø head	6 mm	7 mm	8 mm	10 mm	12 mm
Height Of Head (k)	2.4 mm	2.7 mm	3.1 mm	3.8 mm	4.6 mm
Drive	PZ 1	PZ 2	PZ 2	PZ 2	PZ 3

DIN 7500-1, shape C-Z, pan head, cross recess (PH), steel zinc plated

Dimensions	PU Piece	Article No.
------------	----------	-------------

M 3 x 5	2000	127527*
---------	------	---------

M 3 x 6	2000	127528*
---------	------	---------

DIN 7500-1, shape C-Z, pan head, cross recess (PH), steel zinc plated

Dimensions	PU Piece	Article No.
------------	----------	-------------

M 3 x 8	2000	127529*
---------	------	---------

M 3 x 10	2000	127531*
----------	------	---------

DIN 7500-1, shape C-Z, pan head, cross recess (PH), steel zinc plated

Dimensions	PU Piece	Article No.
------------	----------	-------------

M 3 x 12	1000	127536*
----------	------	---------

M 3 x 16	1000	127537*
----------	------	---------

INTERNAL/Approved (2019-03-22 13:50:51)

1

DIN 7500-1, shape C-Z, pan head, cross recess (PH), steel zinc plated

Dimensions	PU Piece	Article No.
M 3 x 20	1000	127538*
M 3 x 25	1000	127539*
M 3 x 30	1000	127541*
M 3.5 x 16	1000	127542*
M 4 x 6	2000	127543*
M 4 x 8	2000	064812*
M 4 x 10	2000	064813*
M 4 x 12	2000	064814*
M 4 x 16	2000	064815*
M 4 x 20	2000	064816*

DIN 7500-1, shape C-Z, pan head, cross recess (PH), steel zinc plated

Dimensions	PU Piece	Article No.
M 4 x 25	1000	127544*
M 4 x 30	1000	127545*
M 4 x 35	1000	127546*
M 5 x 8	2000	127547*
M 5 x 10	2000	064817*
M 5 x 12	1000	064819*
M 5 x 16	1000	064820*
M 5 x 20	1000	064821*
M 5 x 25	1000	064822*
M 5 x 30	1000	127548*

DIN 7500-1, shape C-Z, pan head, cross recess (PH), steel zinc plated

Dimensions	PU Piece	Article No.
M 5 x 35	500	127549*
M 5 x 40	500	127552*
M 6 x 10	1000	127553*
M 6 x 12	1000	127554*
M 6 x 16	1000	064824*
M 6 x 20	1000	064825*
M 6 x 25	500	064826*
M 6 x 30	500	127555*

* = The delivery time is 10 days
AGR: 00.290

similar DIN 7500-1, shape D, hexagon head with flange, steel zinc plated

- Cost saving as no thread-cutting, cleaning, inspection, connection, tools, etc.
- Fiber course in the material is deflected, because of this strain hardening, a high pull-out strength is guaranteed
- A deeper blind hole is not necessary as no chips are produced
- No thread play and therefore no loss of preload force
- Due to a high pull-out strength and preload force, no security elements are needed

Application Area

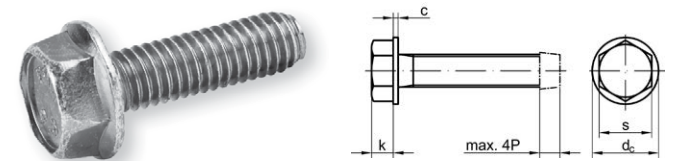
- Screw connections in plastically ductile metals of a maximum of 135 HB (tensile strength $R_m = 450 \text{ N/mm}^2$), i. e. steel, die-cast, aluminum, brass and copper, without thread-cutting

Characteristics

- similar form D = Hex Head Flange
The complete thread has a trilobular cross section (triangular shape) and a conical expiring end

Processing Information

- Create a core hole, tighten the screw and then tighten the screw



Hints

- For standard values of core holes, please refer to the information pages
- Head height = k + c

Thread	M 4	M 5	M 6	M 8
Thread Pitch mm	0.7 mm	0.8 mm	1 mm	1.25 mm
Ø collar	8.1 mm	10.1 mm	12.6 mm	16.4 mm
Height Of Head (k)	3.65 mm	4.55 mm	5.5 mm	7.2 mm
Wrench Width	7 mm	8 mm	10 mm	13 mm

similar DIN 7500-1, shape D, hexagon head with flange, steel zinc plated

Dimensions	PU Piece	Article No.
M 4 x 8	1000	127581*
M 4 x 12	1000	127583*
M 5 x 8	1000	127584*
M 5 x 10	1000	064828*
M 5 x 12	1000	064829*
M 5 x 16	1000	064830*
M 5 x 20	1000	064831*

similar DIN 7500-1, shape D, hexagon head with flange, steel zinc plated

Dimensions	PU Piece	Article No.
M 5 x 25	1000	127585*
M 5 x 35	1000	127586*
M 6 x 10	1000	064832*
M 6 x 12	1000	064833*
M 6 x 16	1000	064834*
M 6 x 20	1000	064835*
M 6 x 25	1000	064836*

similar DIN 7500-1, shape D, hexagon head with flange, steel zinc plated

Dimensions	PU Piece	Article No.
M 6 x 35	500	127587*
M 8 x 12	500	127588*
M 8 x 16	500	064839*
M 8 x 20	500	064840*
M 8 x 25	500	064841*
M 8 x 30	500	064842*

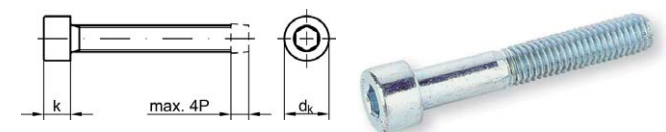
* = The delivery time is 10 days
AGR: 00.290

DIN 7500-1, shape E, cylinder head, internal hexagon, steel zinc plated

- Cost saving as no thread-cutting, cleaning, inspection, connection, tools, etc.
- Fiber course in the material is deflected, because of this strain hardening, a high pull-out strength is guaranteed
- A deeper blind hole is not necessary as no chips are produced
- No thread play and therefore no loss of preload force
- Due to a high pull-out strength and preload force, no security elements are needed

Application Area

- Screw connections in plastically ductile metals of a maximum of 135 HB (tensile strength $R_m = 450 \text{ N/mm}^2$), i. e. steel, die-cast, aluminum, brass and copper, without thread-cutting



Characteristics

- Form E = cylinder head with internal hexagon to DIN 912
The complete thread has a trilobular cross section (triangular shape) and a conical expiring end

Processing Information

- Create a core hole, screw in the screw and then tighten the screw

Hints

- For standard values of core holes, please refer to the information pages

Thread	M 5	M 6	M 8
Thread Pitch mm	0.8 mm	1 mm	1.25 mm
Ø head	8.5 mm	10 mm	13 mm
Height Of Head (k)	5 mm	6 mm	8 mm
Drive	I6KT 4	I6KT 5	I6KT 6

DIN 7500-1, shape E, cylinder head, internal hexagon, steel zinc plated		
Dimensions	PU Piece	Article No.
M 5 x 8	2000	127589*
M 5 x 10	2000	127590*
M 5 x 12	2000	127591*
M 5 x 16	2000	127592*
M 5 x 20	1000	127593*
M 5 x 30	1000	127594*

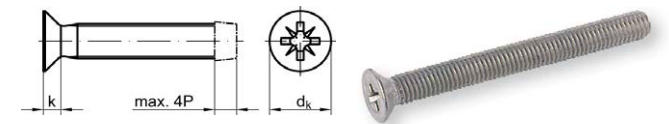
DIN 7500-1, shape E, cylinder head, internal hexagon, steel zinc plated		
Dimensions	PU Piece	Article No.
M 6 x 12	1000	127595*
M 6 x 16	1000	127596*
M 6 x 20	1000	127597*
M 6 x 25	1000	127598*
M 6 x 30	500	127599*
M 6 x 40	250	127600*

DIN 7500-1, shape E, cylinder head, internal hexagon, steel zinc plated		
Dimensions	PU Piece	Article No.
M 8 x 30	250	127601*
M 8 x 35	250	127602*
M 8 x 50	100	127603*

* = The delivery time is 10 days
AGR: 00.290

DIN 7500-1, Form M-Z, Hardened Zinc Plated Steel

- Cost saving as no thread-cutting, cleaning, inspection, connection, tools, etc.
- Fiber course in the material is deflected, because of this strain hardening, a high pull-out strenght is guaranteed
- A deeper blind hole is not necessary as no chips are produced
- No thread play and therefore no loss of preload force
- Due to a high pull-out strenght and preload force, no security elements are needed



Application Area

- Screw connections in plastically ductile metals of a maximum of 135 HB (tensile strength $R_m = 450 \text{ N/mm}^2$), i. e. steel, die-cast, aluminum, brass and copper, without thread-cutting

Characteristics

- Form MZ = countersunk to DIN 965 with PZD Phillips
The complete thread has a trilobular cross section (triangular shape) and a conical expiring end

Processing Information

- Create a core hole, screw in the screw and then tighten the screw

Hints

- For standard values of core holes, please refer to the information pages

Thread	M 3	M 3.5	M 4	M 5	M 6
Thread Pitch mm	0.5 mm	0.6 mm	0.7 mm	0.8 mm	1 mm
Ø head	5.6 mm	6.5 mm	7.5 mm	9.2 mm	11 mm
Height Of Head (k)	1.65 mm	1.93 mm	2.2 mm	2.5 mm	3 mm
Drive	PZ 1	PZ 2	PZ 2	PZ 2	PZ 3
Thread	M 8				
Thread Pitch mm	1.25 mm				
Ø head	14.5 mm				
Height Of Head (k)	4 mm				
Drive	PZ 4				

INTERNAL/Approved (2019-03-22 13:51:16)

DIN 7500-1, Form M-Z, Hardened Zinc Plated Steel			DIN 7500-1, Form M-Z, Hardened Zinc Plated Steel			DIN 7500-1, Form M-Z, Hardened Zinc Plated Steel		
Dimensions	PU Piece	Article No.	Dimensions	PU Piece	Article No.	Dimensions	PU Piece	Article No.
M 3 x 8	1000	127556*	M 4 x 20	1000	127564*	M 5 x 35	1000	127571*
M 3 x 10	1000	127557*	M 4 x 25	1000	127565*	M 5 x 40	1000	127572*
M 3 x 12	1000	127559*	M 4 x 30	1000	127566*	M 6 x 12	500	127573*
M 3 x 16	1000	127560*	M 5 x 10	1000	127567*	M 6 x 16	500	064850*
M 3.5 x 8	1000	127561*	M 5 x 12	1000	064847*	M 6 x 20	500	064851*
M 4 x 8	1000	127562*	M 5 x 16	1000	064849*	M 6 x 25	500	127574*
M 4 x 10	1000	064844*	M 5 x 20	1000	127568*	M 6 x 30	500	127575*
M 4 x 12	1000	064845*	M 5 x 25	1000	127569*	M 6 x 35	500	127576*
M 4 x 16	1000	127563*	M 5 x 30	1000	127570*	M 6 x 40	500	127577*

Metric and inch screws

1

DIN 7500-1, Form M-Z, Hardened Zinc Plated Steel		
Dimensions	PU Piece	Article No.
M 6 x 45	500	127578*
M 6 x 50	500	127579*

DIN 7500-1, Form M-Z, Hardened Zinc Plated Steel		
Dimensions	PU Piece	Article No.
M 8 x 25	250	127580*

* = The delivery time is 10 days

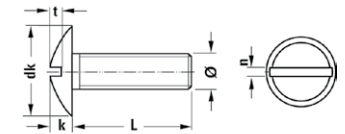
AGR: 00.290

Truss head screws, slot, steel zinc plated

- Due to the flat head, no impairment by protruding screw heads or other fasteners

Application Area

- Attachment of soft or brittle materials (for example, wood, plastic) on substructures (for example, metal frames)



1

Thread	M 6	M 8
Thread Pitch mm	1 mm	1.25 mm
Ø head	15 mm	19 mm
Height Of Head (k)	3.3 mm	4.3 mm

Truss head screws, slot, steel zinc plated		
Dimensions	PU Piece	Article No.
M 6 x 20	500	341116*
M 8 x 45	200	014251*
M 8 x 55	200	127627*
x	500	341104*
x	500	341117*
x	500	341119*
x	200	341120*

Truss head screws, slot, steel zinc plated		
Dimensions	PU Piece	Article No.
x	200	341123*
x	200	341121*
x	200	341122*
x	200	341125*
x	200	341135*
x	200	341133*
x	200	341132*

Truss head screws, slot, steel zinc plated		
Dimensions	PU Piece	Article No.
x	200	341131*
x	200	341130*
x	200	341128*
x	200	341124*

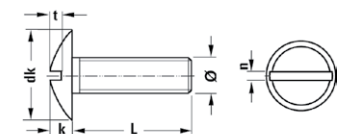
* = The delivery time is 10 days
AGR: 00.244

Truss head screws, slot, stainless steel A2

- Due to the flat head, no impairment by protruding screw heads or other fasteners

Application Area

- Attachment of soft or brittle materials (for example, wood, plastic) on substructures (for example, metal frames)



Thread	M 3	M 4	M 5	M 6	M 8
Thread Pitch mm	0.5 mm	0.7 mm	0.8 mm	1 mm	1.25 mm
Ø head	7.3 mm	10 mm	12.5 mm	15 mm	20 mm
Height Of Head (k)	2 mm	2.2 mm	2.7 mm	3.3 mm	4.4 mm

INTERNAL/Approved (2019-03-22 13:51:31)

Metric and inch screws

1

Truss head screws, slot, stainless steel A2		
Dimensions	PU Piece	Article No.
M 3 x 10	1000	096702*
M 3 x 12	1000	096704*
M 3 x 16	1000	096707*
M 3 x 20	1000	096709*
M 3 x 25	1000	096710*
M 3 x 30	1000	096712*
M 3 x 35	1000	096716*
M 3 x 40	1000	096718*
M 3 x 45	1000	096719*
M 3 x 50	1000	096720*
M 4 x 8	500	157735*
M 4 x 10	500	022437*
M 4 x 12	500	157736*
M 4 x 16	500	566624*
M 4 x 20	500	022439*
M 4 x 25	500	157737*
M 4 x 30	500	096721*
M 4 x 35	500	096722*
M 4 x 40	500	096723*
M 4 x 45	500	096724*
M 4 x 50	500	096726*
M 4 x 60	500	096727*
M 4 x 70	500	096728*
M 5 x 8	500	157738*

Truss head screws, slot, stainless steel A2		
Dimensions	PU Piece	Article No.
M 5 x 10	500	022440*
M 5 x 12	500	157739*
M 5 x 16	500	022441*
M 5 x 20	500	022442*
M 5 x 25	500	022443*
M 5 x 30	500	022444*
M 5 x 35	500	157741*
M 5 x 40	500	096729*
M 5 x 45	500	096730*
M 5 x 50	500	096731*
M 5 x 60	500	096732*
M 5 x 70	500	096734*
M 5 x 80	500	096735*
M 5 x 90	500	096736*
M 5 x 100	500	096737*
M 6 x 8	500	096738*
M 6 x 10	500	022445*
M 6 x 12	500	096739*
M 6 x 16	500	022446*
M 6 x 20	500	022447*
M 6 x 25	200	022448*
M 6 x 30	200	022449*
M 6 x 35	200	096740*
M 6 x 40	200	022450*

Truss head screws, slot, stainless steel A2		
Dimensions	PU Piece	Article No.
M 6 x 45	200	096741*
M 6 x 50	200	022451*
M 6 x 60	200	096742*
M 6 x 70	200	096743*
M 6 x 80	200	096744*
M 6 x 90	200	096745*
M 6 x 100	200	096746*
M 8 x 12	200	096747*
M 8 x 16	200	022452*
M 8 x 20	200	022453*
M 8 x 25	200	022454*
M 8 x 30	200	022455*
M 8 x 35	200	096748*
M 8 x 40	200	022456*
M 8 x 45	200	096749*
M 8 x 50	200	157742*
M 8 x 60	100	096751*
M 8 x 70	100	096752*
M 8 x 80	100	096753*
M 8 x 90	100	096754*
M 8 x 100	100	096755*

* = The delivery time is 14 days
AGR: 00.245

Securing screws, flat head, TX-pin, stainless steel A2

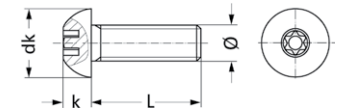
- To process through the pen drive (TX with safety pin) with a special tool

Application Area

- For Burglar-proof fastenings in the outside areas

Characteristics

- TX with safety pin



Thread	M 4	M 5	M 6	M 8
Thread Pitch mm	0.7 mm	0.8 mm	1 mm	1.25 mm
Ø head	7.6 mm	9.5 mm	10.5 mm	14 mm
Height Of Head (k)	2.2 mm	2.8 mm	3.3 mm	4.4 mm
Drive	TX 20	TX 25	TX 30	TX 40

Securing screws, flat head, TX-pin, stainless steel A2			Securing screws, flat head, TX-pin, stainless steel A2			Securing screws, flat head, TX-pin, stainless steel A2		
Dimensions	PU Piece	Article No.	Dimensions	PU Piece	Article No.	Dimensions	PU Piece	Article No.
M 8 x 20	100	021500*	x	100	096264*	x	100	096271*
M 8 x 25	100	021499*	x	100	096265*	x	100	096272*
M 8 x 30	100	021498*	x	100	096266*	x	100	096273*
x	100	096258*	x	100	096267*	x	100	096274*
x	100	096259*	x	100	096268*	x	100	096275*
x	100	096260*	x	100	096263*			
x	100	096262*	x	100	096269*			
x	100	096257*	x	100	096270*			

* = The delivery time is 14 days
AGR: 00.690 / 00.691

Accessories Available

	PU Piece	Article No.
High Quality Bit 1/4" Resis-Torx R-TX25 25 mm	1/5	102404
High Quality Bit 1/4" Resis-Torx R-TX40 25 mm	1/5	102402
High Quality Bit 1/4" Resis-Torx R-TX20 25 mm	1/5	102405
High Quality Bit 1/4" Resis-Torx R-TX30 25 mm	1/5	512893

INTERNAL/Approved (2019-03-22 13:52:09)

Metric and inch screws

1 Securing screws, countersunk head, TX-pin, stainless steel A2

- To be processed by the pen drive (TX with safety pin) only with a special tool

Application Area

- For anti-theft screw outdoor

Characteristics

- TX with safety pin



Thread	M 4	M 5	M 6
Thread Pitch mm	0.7 mm	0.8 mm	1 mm
Ø head	8 mm	10 mm	12 mm
Height Of Head (k)	2.3 mm	2.8 mm	3.3 mm
Drive	TX 20	TX 25	TX 30

Securing screws, countersunk head, TX-pin, stainless steel A2

Dimensions	PU Piece	Article No.
x	100	096671*
x	100	096672*
x	100	096673*
x	100	096674*
x	100	096675*
x	100	096676*

Securing screws, countersunk head, TX-pin, stainless steel A2

Dimensions	PU Piece	Article No.
x	100	096677*
x	100	096678*
x	100	096679*
x	100	096680*
x	100	096681*
x	100	096682*

Securing screws, countersunk head, TX-pin, stainless steel A2

Dimensions	PU Piece	Article No.
x	100	096683*
x	100	096684*
x	100	096685*

* = The delivery time is 14 days
AGR: 00.690

Accessories Available

	PU Piece	Article No.
High Quality Bit 1/4" Resis-Torx R-TX25 25 mm	1/5	102404
High Quality Bit 1/4" Resis-Torx R-TX20 25 mm	1/5	102405
High Quality Bit 1/4" Resis-Torx R-TX30 25 mm	1/5	512893

Securing screws, countersunk head, internal hexagon with plug, stainless steel A2

Application Area

- For anti-theft screw outdoor

Characteristics

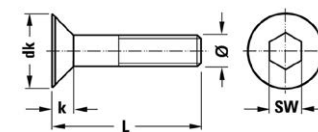
- Hexagon socket with closing head

Processing Information

- The closing head is taken after screwing the screw into the hexagon socket

Hints

- Safety screws are provided after screwing with a stopper, which prevents subsequent loosening of the screw



Thread	M 6	M 8
Thread Pitch mm	1 mm	1.25 mm
Ø head	10.5 mm	14 mm
Height Of Head (k)	3.2 mm	4.4 mm
Drive	I6KT 4	I6KT 5

Securing screws, countersunk head, internal hexagon with plug, stainless steel A2		
Dimensions	PU Piece	Article No.
x	100	096686*
x	100	096687*
x	100	096688*
x	100	096689*
x	100	096690*

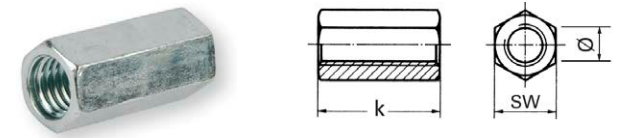
Securing screws, countersunk head, internal hexagon with plug, stainless steel A2		
Dimensions	PU Piece	Article No.
x	100	096691*
x	100	096692*
x	100	096693*
x	100	096694*
x	100	096695*

Securing screws, countersunk head, internal hexagon with plug, stainless steel A2		
Dimensions	PU Piece	Article No.
x	100	096696*
x	100	096697*
x	100	096698*
x	100	096699*

* = The delivery time is 14 days
AGR: 00.690

1

Hexagon threaded sockets, steel 4.6, zinc plated



Characteristics

- With continuous internal thread

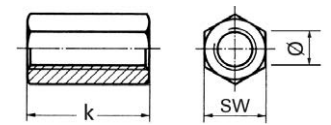
Hexagon threaded sockets, steel 4.6, zinc plated						
Title	Thread	Thread Pitch mm	Height nut	Wrench Width	PU Piece	Article No.
Hexagon threaded socket	M 6	1 mm	30 mm	10 mm	100	013024
Hexagon threaded socket	M 8	1.25 mm	25 mm	11 mm	50	117916
Hexagon threaded socket	M 8	1.25 mm	30 mm	11 mm	100	117917
Hexagon threaded socket	M 10	1.5 mm	30 mm	13 mm	100	117918
Hexagon threaded socket	M 12	1.75 mm	40 mm	17 mm	50	117921
Hexagon threaded socket	M 12	1.75 mm	40 mm	17 mm	50	806808
Hexagon threaded socket	M 20	2.5 mm	50 mm	27 mm	10	117923

AGR: 01.116

Hexagon threaded sockets, stainless steel A2

Characteristics

- With continuous internal thread



1

Hexagon threaded sockets, stainless steel A2							
Title	Thread	Thread Pitch mm	Height nut	Wrench Width	PU Piece	Article No.	
Hexagon threaded socket	M 8	1.25 mm	25 mm	13 mm	100	021417	
Hexagon threaded socket	M 8	1.25 mm	30 mm	13 mm	50	021418	
Hexagon threaded socket	M 10	1.5 mm	25 mm	17 mm	100	021419*	
Hexagon threaded socket	M 10	1.5 mm	30 mm	17 mm	50	021421	
Hexagon threaded socket	M 10	1.5 mm	40 mm	17 mm	100	021424*	
Hexagon threaded socket	M 12	1.75 mm	30 mm	19 mm	50	021426*	
Hexagon threaded socket	M 12	1.75 mm	40 mm	19 mm	50	021428	

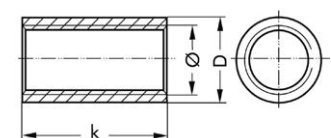
* = The delivery time is 14 days

AGR: 01.116

Round threaded sockets, steel 4.6, zinc plated

Characteristics

- With continuous internal thread

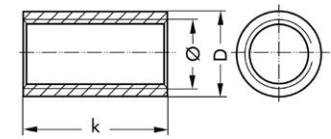


Round threaded sockets, steel 4.6, zinc plated							
Title	Thread	Thread Pitch mm	Height nut	Ø external	PU Piece	Article No.	
Round threaded socket	M 6	1 mm	30 mm	10 mm	100	013034	
Round threaded socket	M 8	1.25 mm	30 mm	11 mm	100	013035	
Round threaded socket	M 10	1.5 mm	30 mm	13 mm	100	013036	

AGR: 01.116

INTERNAL/Approved (2019-03-22 13:52:55)

Round threaded sockets, stainless steel A2



1 Characteristics

- With continuous internal thread

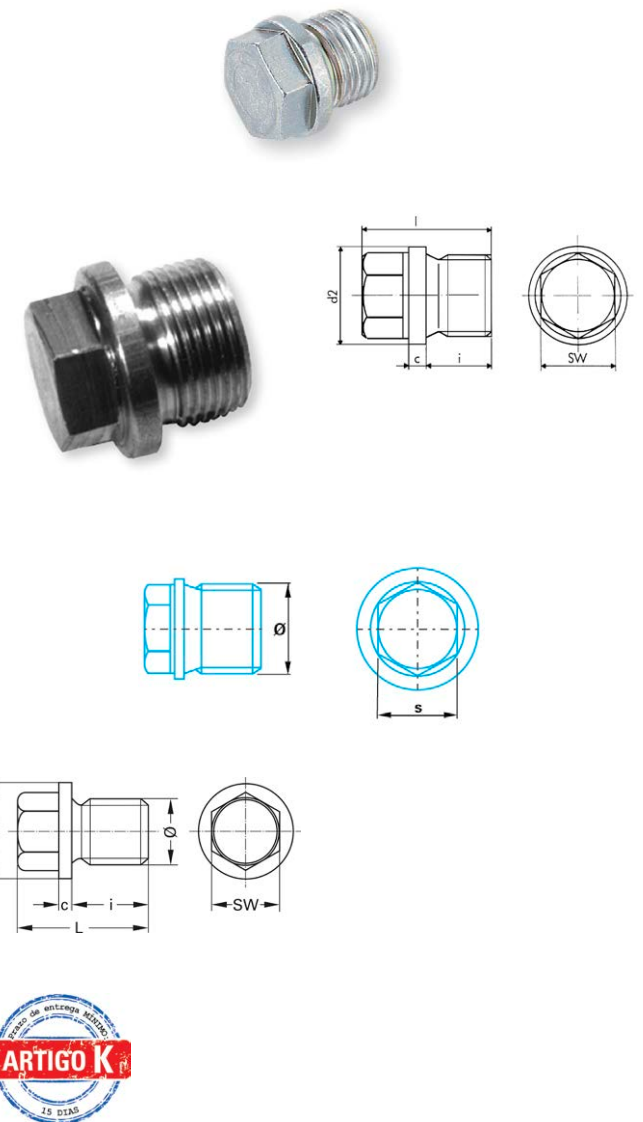
Round threaded sockets, stainless steel A2						
Title	Thread	Thread Pitch mm	Height nut	Ø external	PU Piece	Article No.
Round threaded socket	M 6	1 mm	30 mm	10 mm	100	097337
Round threaded socket	M 8	1.25 mm	20 mm	11 mm	100	021459
Round threaded socket	M 8	1.25 mm	25 mm	11 mm	100	021458
Round threaded socket	M 8	1.25 mm	30 mm	11 mm	100	021457
Round threaded socket	M 8	1.25 mm	40 mm	11 mm	100	021456
Round threaded socket	M 10	1.5 mm	25 mm	13 mm	100	021455
Round threaded socket	M 10	1.5 mm	30 mm	13 mm	100	021453
Round threaded socket	M 10	1.5 mm	40 mm	13 mm	100	021448
Round threaded socket	M 12	1.75 mm	30 mm	15 mm	100	021436
Round threaded socket	M 12	1.75 mm	40 mm	15 mm	100	021434

AGR: 01.116

DIN 910, fine thread, hexagon head with flange, steel 5.8, zinc plated

Characteristics

- Heavy design, cylindrical thread



Thread	M 12	M 14	M 16	M 18	M 20
Thread Pitch mm	1.5 mm	1.5 mm	1.5 mm	1.5 mm	1.5 mm
Wrench Width	13 mm	13 mm	17 mm	17 mm	19 mm
Thread	M 22	M 26			
Thread Pitch mm	1.5 mm	1.5 mm			
Wrench Width	19 mm	24 mm			

Metric and inch screws

1

DIN 910, fine thread, hexagon head with flange, steel 5.8, zinc plated		
Dimensions	PU Piece	Article No.
M 12 x 1.5 x 12	10	502308
M 14 x 1.5 x 12	10	502316
M 16 x 1.5 x 12	10	502324

DIN 910, fine thread, hexagon head with flange, steel 5.8, zinc plated		
Dimensions	PU Piece	Article No.
M 18 x 1.5 x 12	10	502332
M 20 x 1.5 x 14	5	502340
M 22 x 1.5 x 14	5	502359

DIN 910, fine thread, hexagon head with flange, steel 5.8, zinc plated		
Dimensions	PU Piece	Article No.
M 26 x 1.5 x 16	5	502367

AGR: 00.192

Oil drain screw M14x1.5x21

Hints

- Including sealing ring:
Art. 165182

Technical Data

Material	Steel
Surface protection	plain



Art. 165182

Oil drain screw M14x1.5x21						
Title	Dimension	Ø collar	Drive	Manufacturer and OEM	PU Piece	Article No.
Oil drain screw	M 14 x 1.5 x 21	28.5 mm	6KT 13	PSA (Citroen, Peugeot): 0311.32 Ford: 1013938 / 97JM6730BA Jaguar: AJ83017 / JZH100062 Land Rover: 1013938 / 4594914 Mazda: 1E00-10-404 Volvo: 30711617 / 8694765	10	165179

AGR: 16.913

Accessories Available

	PU Amount	Article No.
Rubber sealing ring 13x22x3	50	165182

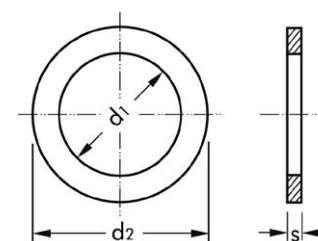
Rubber sealing ring 13x22x3

Hints

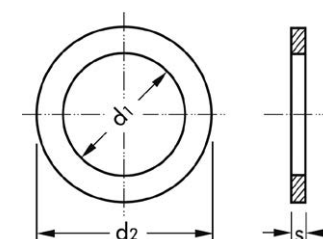
- Suitable oil drain screw:
PSA (Citroen/Peugeot) & Ford & Jaguar & Land Rover & Mazda & Volvo: Art. 165182

Technical Data

Material	Rubber
Surface protection	-



Art. 165179 (PSA / Ford / Jaguar / Land Rover / Mazda / Volvo)



Art. 165179 (PSA / Ford / Jaguar / Land Rover / Mazda / Volvo)

Rubber sealing ring 13x22x3						
Title	Internal Ø	External Ø	Thickness material	Manufacturer and OEM	PU Piece	Article No.
Rubber sealing ring	13 mm	22 mm	3 mm	PSA (Citroen, Peugeot): - Ford: 1005593 Jaguar: - Land Rover: - Mazda: - Volvo: -	50	165182

AGR: 01.641

Related Products

PU
Amount

Article No.

393

INTERNAL/Approved (2019-03-22 13:53:35)

Oil drain screw M12x1.75x25

1

Hints

- Including sealing ring:
Art. 171339

Technical Data

Material	Steel
Surface protection	zinc plated



Oil drain screw M12x1.75x25

Title	Dimension	Ø collar	Drive	Manufacturer and OEM	PU Piece	Article No.
Oil drain screw	M 12 x 1.75 x 25	26 mm	6KT 15	Alfa Romeo: 71739255 Chevrolet: 11562588 / 11519408 Fiat: 71739255 Ford: 4948795 / 1535683 Jaguar: AJ813123 Land Rover: LR025048 Opel: 0652 884 / 0652 454 Saab: 11562588 / 11518377 Vauxhall: 11562588 / 03536964	25	171338

AGR: 16.913

Accessories Available

	PU Amount	Article No.
Rubber sealing ring 11x21x2.5	50	171339

Rubber sealing ring 11x21x2.5

Hints

- Suitable oil drain screw:
Alfa Romeo & Chevrolet & Fiat & Ford & Jaguar & Land Rover & Opel / Vauxhall & Saab: Art. 171338

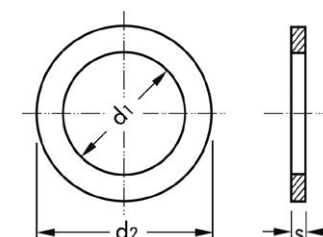
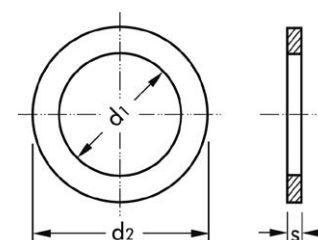
Technical Data

Material	Rubber
Surface protection	-



1

Art. 171338 (Alfa Romeo / Chevrolet / Fiat / Ford / Jaguar / Land Rover / Opel / Vauxhall / Saab)



Art. 171338 (Alfa Romeo / Chevrolet / Fiat / Ford / Jaguar / Land Rover / Opel / Vauxhall / Saab)

INTERNAL/Approved (2019-03-22 13:53:50)

Rubber sealing ring 11x21x2.5						
Title	Internal Ø	External Ø	Thickness material	Manufacturer and OEM	PU Piece	Article No.

<STEPREF A="PlannedDelivTime-productText" DB="1" />
<STEPREF A="ARTICLE_GROUP_CALC" DB="1" />

Rubber sealing ring 18x22x2

1

Hints

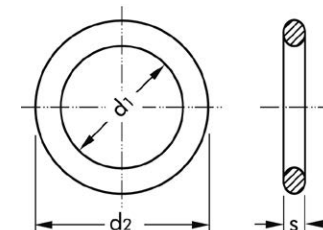
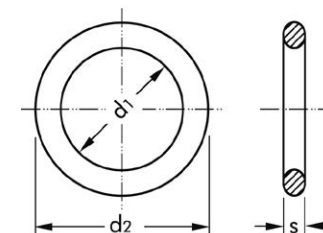
- Suitable oil drain screw
BMW & Chevrolet & Fiat & Opel / Vauxhall & Saab & Suzuki: Art. 112267

Technical Data

Material	Rubber
Surface protection	-



Art. 112267 (BMW / Chevrolet / Fiat / Opel / Vauxhall / Saab / Suzuki)



Art. 112267 (BMW / Chevrolet / Fiat / Opel / Vauxhall / Saab / Suzuki)

Rubber sealing ring 18x22x2						
Title	Internal Ø	External Ø	Thickness material	Manufacturer and OEM	PU Piece	Article No.
Rubber O-ring	18 mm	22 mm	2 mm	BMW: - Chevrolet: - Fiat: 71739848 Opel / Vauxhall: 652540 / 90528145 Saab: - Suzuki: 1659286J00000	50	165181

AGR: 01.641

Related Products

	PU Amount	Article No.
Oil Drain Plug Opel M 14x1,5x10	10	112267

INTERNAL/Approved (2019-03-22 13:53:52)

Oil drain screw M14x1.5x16

Hints

- Suitable sealing ring:
Art. 620

Technical Data

Material	Steel
Surface protection	phosphated



Art. 620

Oil drain screw M14x1.5x16

Title	Dimension	Drive	Manufacturer and OEM	PU Piece	Article No.
Oil drain screw	M 14 x 1.5 x 16	6KT 19	VAG (Audi, Seat, Skoda, VW): N90288901 / 113115193 Ford: 1005305 / 1009179	10	005440

AGR: 16.913

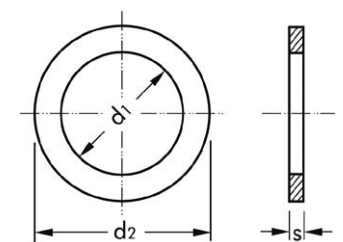
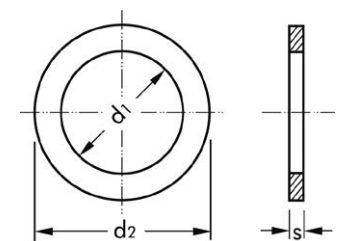
Accessories Available

	PU Amount	Article No.
Copper sealing ring 14x20x1.5	100	000620

Copper sealing rings DIN 7603, shape A

Characteristics

- Form A = flat seal
Heat resistant up to 300°C



Metric and inch screws

1

Copper sealing rings DIN 7603, shape A							
Title	Nominal size	Internal Ø	External Ø	Thickness material	PU Piece	Article No.	
Copper sealing ring	6 x 10 mm	6.2 mm	9.9 mm	1 mm	100	000558	
Copper sealing ring	6 x 12 mm	6.2 mm	11.9 mm	1 mm	100	000566	
Copper sealing ring	8 x 12 mm	8.2 mm	11.9 mm	1 mm	100	000574	
Copper sealing ring	8 x 14 mm	8.2 mm	13.9 mm	1 mm	100	000582	
Copper sealing ring	8 x 16 mm	8.2 mm	15.9 mm	1 mm	100	000590	
Copper sealing ring	10 x 13.5 mm	10.2 mm	13.4 mm	1 mm	100	027536	
Copper sealing ring	10 x 14 mm	10.2 mm	13.9 mm	1 mm	100	000809	
Copper sealing ring	10 x 16 mm	10.2 mm	15.9 mm	1 mm	100	000817	
Copper sealing ring	10 x 16 mm	10.2 mm	15.9 mm	1.5 mm	100	876436	
Copper sealing ring	11 x 16 mm	11.2 mm	15.9 mm	1.5 mm	100	800219	
Copper sealing ring	12 x 16 mm	12.2 mm	15.9 mm	1.5 mm	100	000604	
Copper sealing ring	12 x 18 mm	12.2 mm	17.9 mm	1.5 mm	100	000833	
Copper sealing ring	12 x 20 mm	12.2 mm	19.9 mm	1.5 mm	100	506826	
Copper sealing ring	12 x 22 mm	12.2 mm	21.9 mm	1.5 mm	100	800233	
Copper sealing ring	13 x 20 mm	13.2 mm	19.9 mm	1.5 mm	100	506850	
Copper sealing ring	14 x 18 mm	14.2 mm	17.9 mm	1.5 mm	100	000612	
Copper sealing ring	14 x 20 mm	14.2 mm	19.9 mm	1.5 mm	100	000620	
Copper sealing ring	14 x 22 mm	14.2 mm	21.9 mm	1.5 mm	100	000639	
Copper sealing ring	15 x 20 mm	15.2 mm	19.9 mm	1.5 mm	100	800264	
Copper sealing ring	16 x 20 mm	16.2 mm	19.9 mm	1.5 mm	100	000647	
Copper sealing ring	16 x 22 mm	16.2 mm	21.9 mm	1.5 mm	100	000825	
Copper sealing ring	16 x 24 mm	16.2 mm	23.9 mm	1.5 mm	100	000655	
Copper sealing ring	17 x 21 mm	17.2 mm	20.9 mm	1.5 mm	100	730300	
Copper sealing ring	17 x 23 mm	17.2 mm	22.9 mm	1.5 mm	100	800288	
Copper sealing ring	17 x 24 mm	17.2 mm	23.9 mm	1.5 mm	100	800295	
Copper sealing ring	18 x 22 mm	18.2 mm	21.9 mm	1.5 mm	100	000663	
Copper sealing ring	18 x 24 mm	18.2 mm	23.9 mm	1.5 mm	100	000671	
Copper sealing ring	18 x 26 mm	18.2 mm	25.9 mm	1.5 mm	100	005489	
Copper sealing ring	19 x 26 mm	19.2 mm	25.9 mm	1.5 mm	100	800301	
Copper sealing ring	20 x 24 mm	20.2 mm	23.9 mm	1.5 mm	100	000680	
Copper sealing ring	20 x 26 mm	20.2 mm	25.9 mm	1.5 mm	100	000698	

INTERNAL/Approved (2019-03-22 13:54:33)

Copper sealing rings DIN 7603, shape A						
Title	Nominal size	Internal Ø	External Ø	Thickness material	PU Piece	Article No.
Copper sealing ring	21 x 26 mm	21.2 mm	25.9 mm	1.5 mm	100	015303
Copper sealing ring	21 x 27 mm	21.2 mm	26.9 mm	1.5 mm	100	800318
Copper sealing ring	22 x 27 mm	22.2 mm	26.9 mm	1.5 mm	100	000701
Copper sealing ring	22 x 29 mm	22.2 mm	28.9 mm	1.5 mm	100	000710
Copper sealing ring	24 x 29 mm	24.2 mm	28.9 mm	2 mm	100	000728
Copper sealing ring	24 x 32 mm	24.2 mm	31.9 mm	2 mm	100	000736
Copper sealing ring	26 x 32 mm	26.2 mm	31.9 mm	2 mm	100	000744
Copper sealing ring	26 x 34 mm	26.2 mm	33.9 mm	2 mm	100	000752
Copper sealing ring	27 x 32 mm	27.2 mm	31.9 mm	2 mm	100	015305
Copper sealing ring	28 x 34 mm	28.2 mm	33.9 mm	2 mm	100	000760
Copper sealing ring	30 x 36 mm	30.2 mm	35.9 mm	2 mm	100	000787
Copper sealing ring	32 x 38 mm	32.2 mm	37.9 mm	2 mm	100	000795
Copper sealing ring	38 x 44 mm	38.2 mm	43.9 mm	2 mm	100	800332
Copper sealing ring	42 x 49 mm	42.2 mm	48.9 mm	2 mm	50	730386

AGR: 01.601 / 01.641

Related Products

	PU Amount	Article No.
Oil Drain Plug BMW M 12x1,5x18	25	165180
Oil Drain Plug Alfa Romeo M18x1,5x27	10	005439

Steel sealing ring (filler ring) 14x20x2

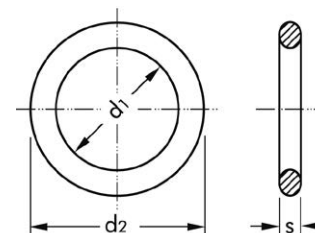
1

Hints

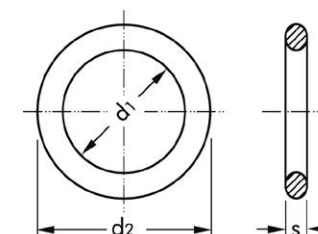
- Suitable oil drain screw:
VAG (Audi/Seat/Skoda/VW) & Porsche: Art. 207719

Technical Data

Material	Steel
Surface protection	Tinned



Art. 207719 (VAG / Porsche)



Art. 207719 (VAG / Porsche)

Steel sealing ring (filler ring) 14x20x2

Title	Nominal size	Internal Ø	External Ø	Thickness material	Manufacturer and OEM	PU Piece	Article No.
Steel sealing ring	14 x 20 mm	14.2 mm	19.9 mm	2 mm	VAG (Audi, Seat, Skoda, VW): N0138157 Porsche: N0138157	50	207775

AGR: 01.641

Related Products

	PU Amount	Article No.
OILDRAIN PLUG M14X1,5 AUDI-VW	10	207719

INTERNAL/Approved (2019-03-22 13:55:24)

Oil drain screw M16x1.5x12

Hints

- Suitable sealing ring:
 Dacia & Mercedes Benz & Nissan & Mitsubishi: Art. 207774
 Renault: Art. 207774 (diesel) and Art. 413976 (petrol)
 PSA (Citroen/Peugeot): Art. 141696
 Opel / Vauxhall & Volvo: Art. 413976

Technical Data

Material	Steel
Surface protection	Zinc nickel plated



Oil drain screw M16x1.5x12						
Title	Dimension	Ø collar	Drive	Manufacturer and OEM	PU Piece	Article No.
Oil drain screw	M 16 x 1.5 x 12	22 mm	I4KT 8	PSA (Citroen, Peugeot): 0163.93 Dacia: 7703075348 / 6001543033 Mercedes Benz: 6079900023 Mitsubishi: M467106 Nissan: 77030-75348 Opel / Vauxhall: 4433916 / 93198205 Renault: 7703075348 / 7703075210 Volvo: 31216539	10	112264

AGR: 16.913

Accessories Available

	PU Piece	Article No.
Steel/rubber sealing ring 16.6x24x2.5	50	207774
Copper sealing ring (filling ring) 16x22x2	100	413976

Steel/rubber sealing ring 16.6x24x2.5

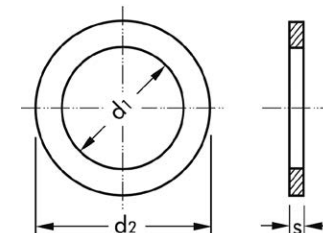
1

Hints

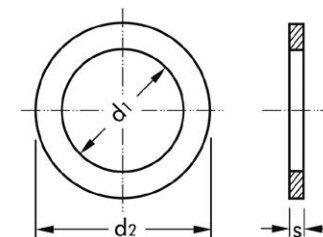
- Suitable oil drain screw:
PSA (Citroen/Peugeot) & Dacia & Mercedes Benz & Mitsubishi & Nissan & Opel / Vauxhall & Renault & Volvo: Art. 112264

Technical Data

Material	Steel / rubber
Surface protection	zinc plated



Art. 112264 (PSA / Dacia / Mercedes Benz / Mitsubishi / Nissan / Opel / Vauxhall / Renault / Volvo)



Art. 112264 (PSA / Dacia / Mercedes Benz / Mitsubishi / Nissan / Opel / Vauxhall / Renault / Volvo)

Steel/rubber sealing ring 16.6x24x2.5

Title	Nominal size	Internal Ø	External Ø	Thickness material	Manufacturer and OEM	PU Piece	Article No.
-------	--------------	------------	------------	--------------------	----------------------	----------	-------------

INTERNAL/Approved (2019-03-22 13:55:38)

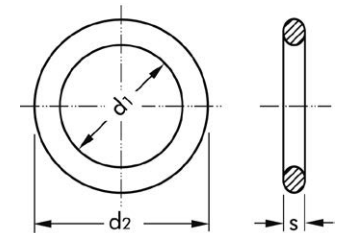
Copper sealing rings (filler rings) DIN 7603, shape C

Characteristics

- Form C= fill seal
- Heat resistant up to 300 ° C, asbestos-free

Hints

- Filler consisting of high-temperature resistant fiber offcut


1

Copper sealing rings (filler rings) DIN 7603, shape C

Title	Nominal size	Internal Ø	External Ø	Thickness material	PU Piece	Article No.
Copper sealing ring	6 x 10 mm	6.2 mm	9.9 mm	1.5 mm	100	413879
Copper sealing ring	8 x 12 mm	8.2 mm	11.9 mm	1.5 mm	100	413887
Copper sealing ring	8 x 14 mm	8.2 mm	13.9 mm	1.5 mm	100	413895
Copper sealing ring	10 x 14 mm	10.2 mm	13.9 mm	1.5 mm	100	413909
Copper sealing ring	10 x 16 mm	10.2 mm	15.9 mm	1.5 mm	100	413917
Copper sealing ring	12 x 16 mm	12.2 mm	15.9 mm	2 mm	100	413925
Copper sealing ring	12 x 18 mm	12.2 mm	17.9 mm	2 mm	100	413933
Copper sealing ring	14 x 18 mm	14.2 mm	17.9 mm	2 mm	100	413941
Copper sealing ring	14 x 20 mm	14.2 mm	19.9 mm	2 mm	100	413950
Copper sealing ring	14 x 21 mm	14.2 mm	20.9 mm	2 mm	100	167661
Copper sealing ring	16 x 20 mm	16.2 mm	19.9 mm	2 mm	100	413968
Copper sealing ring	16 x 22 mm	16.2 mm	21.9 mm	2 mm	100	413976
Copper sealing ring	18 x 24 mm	18.2 mm	23.9 mm	2 mm	100	414000

AGR: 01.602

Related Products

	PU Amount	Article No.
Oil Drain Plug PSA M 14x1,25x13	10	005430

INTERNAL/Approved (2019-03-22 13:55:40)

Oil drain screw M14x1.5x16

1

Hints

- Suitable sealing ring:
 Ford: Art. 141696 (diesel) and Art. 80632 (petrol)
 Land Rover: Art. 141696

Technical Data

Material	Steel
Surface protection	plain



Art. 141696 (Ford, diesel / Land Rover)



Art. 80632 (Ford, petrol)

Oil drain screw M14x1.5x16

Title	Dimension	Ø collar	Drive	Manufacturer and OEM	PU Piece	Article No.
Oil drain screw	M 14 x 1.5 x 16	24 mm	6KT 13	Ford: 1454117 / 6732529 Land Rover: LSF1000402	25	112276

AGR: 16.913

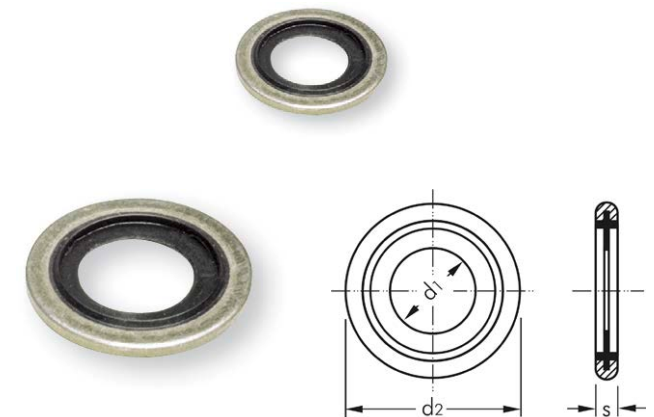
Accessories Available

	PU Piece	Article No.
Steel/rubber sealing ring 13x24x1.5	50	141696
Polyamid sealing ring 14x22x2.5	100	080632

Steel/rubber sealing rings, with lip

Characteristics

- Resistant to mineral oil, petrol, gas and water, pressure resistant up to max. 300 from -30 ° C to + 120 ° C, Material Rubber bar, temperature resistant: NBR elastomer, carrier material: steel galvanized, yellow



1

Steel/rubber sealing rings, with lip					
Title	Internal Ø	External Ø	Thickness material	PU Piece	Article No.
Steel/rubber sealing ring	13 mm	24 mm	1.5 mm	50	141696
AGR: 01.630					
Related Products				PU Amount	Article No.
Oil Drain Plug Ford/Land Rover M 14x1,5x16 blanc, black				25	112276
Oil Drain Plug Mitsubishi/Renault M 16x1,5x12				10	112264

Oil drain screw M12x1.5x10.5



Art. 1252

Characteristics

- Two drives: Hexagon (17 mm) and internal hexagon (6 mm)

Hints

- Suitable sealing ring:
Art. 1252

Technical Data

Material	Steel
Surface protection	zinc plated

Oil drain screw M12x1.5x10.5

Title	Dimension	Drive	Manufacturer and OEM	PU Piece	Article No.
Oil drain screw	M 12 x 1.5 x 10.5	6KT 17	BMW: 11131742994 / 11137568309 Land Rover: LSF000010	10	109723

AGR: 16.913

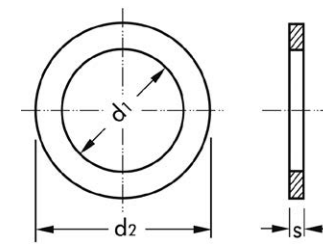
Accessories Available

	PU Amount	Article No.
Aluminium sealing ring 12x18x1.5	100	001252

Aluminium sealing rings DIN 7603, shape A

Characteristics

- Form A = flat seal
Heat resistant up to 200°C



Aluminium sealing rings DIN 7603, shape A

Title	Nominal size	Internal Ø	External Ø	Thickness material	PU Piece	Article No.
Aluminium sealing ring	4 x 8 mm	4.2 mm	7.9 mm	1 mm	100	001171
Aluminium sealing ring	5 x 9 mm	5.2 mm	8.9 mm	1 mm	100	001180
Aluminium sealing ring	6 x 10 mm	6.2 mm	9.9 mm	1 mm	100	001198
Aluminium sealing ring	6 x 12 mm	6.2 mm	11.9 mm	1 mm	100	001201
Aluminium sealing ring	8 x 12 mm	8.2 mm	11.9 mm	1 mm	100	001210
Aluminium sealing ring	8 x 14 mm	8.2 mm	13.9 mm	1 mm	100	001228
Aluminium sealing ring	10 x 14 mm	10.2 mm	13.9 mm	1 mm	100	001236

INTERNAL/Approved (2019-03-22 13:56:20)

Metric and inch screws

Aluminium sealing rings DIN 7603, shape A						
Title	Nominal size	Internal Ø	External Ø	Thickness material	PU Piece	Article No.
Aluminium sealing ring	10 x 16 mm	10.2 mm	15.9 mm	1 mm	100	800394
Aluminium sealing ring	12 x 16 mm	12.2 mm	15.9 mm	1.5 mm	100	001244
Aluminium sealing ring	12 x 18 mm	12.2 mm	17.9 mm	1.5 mm	100	001252
Aluminium sealing ring	13 x 18 mm	13.2 mm	17.9 mm	1.5 mm	100	108407
Aluminium sealing ring	14 x 18 mm	14.2 mm	17.9 mm	1.5 mm	100	001260
Aluminium sealing ring	14 x 20 mm	14.2 mm	19.9 mm	1.5 mm	100	001279
Aluminium sealing ring	16 x 22 mm	16.2 mm	21.9 mm	1.5 mm	100	001287
Aluminium sealing ring	18 x 22 mm	18.2 mm	21.9 mm	1.5 mm	100	001295
Aluminium sealing ring	18 x 24 mm	18.2 mm	23.9 mm	1.5 mm	100	001309
Aluminium sealing ring	20 x 24 mm	20.2 mm	23.9 mm	1.5 mm	100	001317
Aluminium sealing ring	20 x 26 mm	20.2 mm	25.9 mm	1.5 mm	100	001325
Aluminium sealing ring	22 x 27 mm	22.2 mm	26.9 mm	1.5 mm	100	001333
Aluminium sealing ring	22 x 29 mm	22.2 mm	28.9 mm	1.5 mm	50	001341
Aluminium sealing ring	24 x 30 mm	24.2 mm	29.9 mm	2 mm	100	001350
Aluminium sealing ring	26 x 32 mm	26.2 mm	31.9 mm	2 mm	100	001376

AGR: 01.600

Related Products

	PU Amount	Article No.
Oil Drain Plug BMW M 12x1,5x18	25	165180
Oil Drain Plug BMW M 12x1,5x10,5	10	109723

INTERNAL/Approved (2019-03-22 13:56:43)

Oil drain screw M14x1.5x11

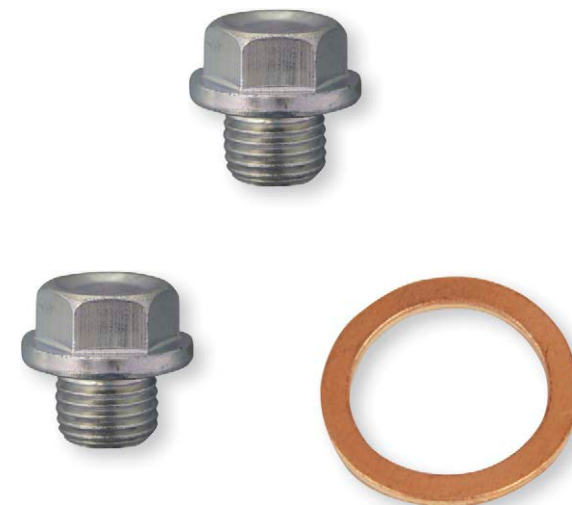
1

Hints

- Suitable sealing ring:
Suzuki & Daewoo & Opel / Vauxhall & Chevrolet: Art. 620
Hyundai & KIA & Mitsubishi & PSA (Citroen/Peugeot): Art. 5490

Technical Data

Material	Steel
Surface protection	zinc plated



Art. 620 (Suzuki / Daewoo / Opel / Vauxhall / Chevrolet)



Art. 5490 (Hyundai / KIA / Mitsubishi / PSA)

Oil drain screw M14x1.5x11

Title	Dimension	Ø collar	Drive	Manufacturer and OEM	PU Piece	Article No.
Oil drain screw	M 14 x 1.5 x 11	22.5 mm	6KT 17	Chevrolet: 09247A14027 Daewoo: 09247A14027 PSA (Citroen, Peugeot): 0311.37 Hyundai: 21512-21010 / 21512-21000 KIA: 21512-21010 / 21512-21000 Mitsubishi: MD050316 / MD050317 Opel / Vauxhall: 4805011 / 94535699 Suzuki: 09247-14044-000	10	005443

AGR: 16.913

Accessories Available

	PU Piece	Article No.
Copper sealing ring 14x20x1.5	100	000620
Steel sealing ring (filler ring) 14x19x2.2	50	005490

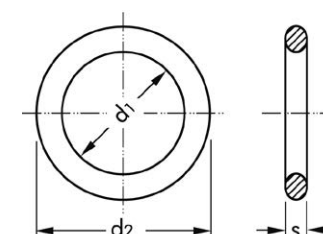
Steel sealing ring (filler ring) 14x19x2.2

Hints

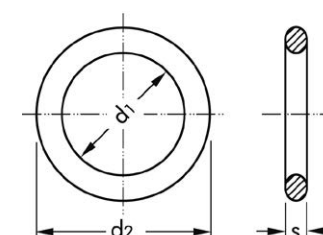
- Suitable oil drain screw:
Daewoo & Chevrolet & PSA (Citroen/Peugeot) & Hyundai & KIA & Mitsubishi & Suzuki & Opel / Vauxhall: Art. 5443

Technical Data

Material	Steel
Surface protection	zinc plated



Art. 5443 (Daewoo / Chevrolet / PSA / Hyundai / KIA / Mitsubishi / Suzuki / Opel / Vauxhall)



Art. 5443 (Daewoo / Chevrolet / PSA / Hyundai / KIA / Mitsubishi / Suzuki / Opel / Vauxhall)

Steel sealing ring (filler ring) 14x19x2.2						
Title	Internal Ø	External Ø	Thickness material	Manufacturer and OEM	PU Piece	Article No.
Steel sealing ring	14 mm	19 mm	2.2 mm	PSA (Citroen, Peugeot): 0313.41 Hyundai: 2151321000 KIA: 2151321000 Mitsubishi: MD050317	50	005490

AGR: 01.641

Related Products

PU Amount Article No.

Copper sealing ring (wrinkled ring) 12x17x3

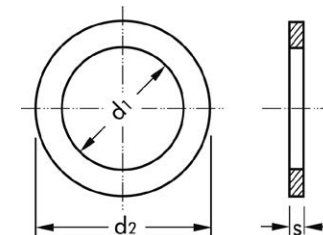
1

Hints

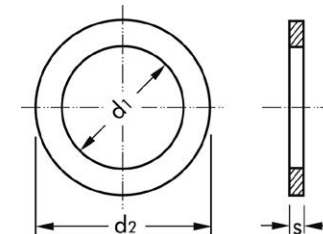
- Suitable oil drain screw:
Daihatsu & MINI & Nissan & Renault & Toyota & Lexus & Scion:
Art. 5445

Technical Data

Material	Copper
Surface protection	-



Art. 5445 (Daihatsu / MINI / Nissan / Renault / Toyota / Lexus / Scion)



Art. 5445 (Daihatsu / MINI / Nissan / Renault / Toyota / Lexus / Scion)

Copper sealing ring (wrinkled ring) 12x17x3							
Title	Nominal size	Internal Ø	External Ø	Thickness material	Manufacturer and OEM	PU Piece	Article No.
Copper sealing ring	12 x 17 mm	12 mm	17.5 mm	3 mm	Nissan: 11026-01M02 Renault: -	50	171336

AGR: 01.641

Related Products

	PU Amount	Article No.
Oil Drain Plug Daihatsu/Nissan/Toyota M 12x1,25x11	10	005445

INTERNAL/Approved (2019-03-22 13:57:10)

Oil drain screw M12x1.25x11

Hints

- Suitable sealing ring:
 Daihatsu & Toyota & Lexus & Scion: Art. 835250 and 207773
 Nissan & Renault: Art. 171336
 MINI: Art. 207773

Technical Data

Material	Steel
Surface protection	zinc plated



Art. 207773 (Daihatsu / Toyota / Lexus / Scion / MINI)



Art. 171336 (Nissan / Renault)



Art. 835250 (Daihatsu / Toyota / Lexus / Scion)



Art. 835250 (Daihatsu / Toyota / Lexus / Scion)



Art. 207773 (Daihatsu / Toyota / Lexus / Scion / MINI)



Art. 171336 (Nissan / Renault)

INTERNAL/Approved (2019-03-22 13:57:15)

Oil drain screw M12x1.25x11

Title	Dimension	Ø collar	Drive	Manufacturer and OEM	PU Piece	Article No.
-------	-----------	----------	-------	----------------------	----------	-------------

<STEPREF A="PlannedDelivTime-productText" DB="1" />
 <STEPREF A="ARTICLE_GROUP_CALC" DB="1" />

Aluminium sealing ring 12x21x1.7 NBR

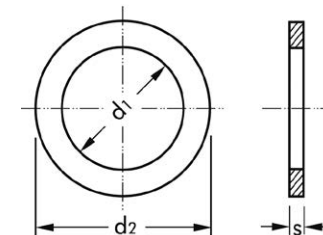
1

Hints

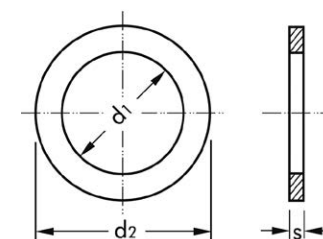
- Suitable oil drain screw:
Daihatsu & MINI & Nissan & Renault & Toyota & Lexus & Scion:
Art. 5445

Technical Data

Material	Aluminium
Surface protection	NBR



Art. 5445 (Daihatsu / MINI / Nissan / Renault / Toyota / Lexus / Scion)



Art. 5445 (Daihatsu / MINI / Nissan / Renault / Toyota / Lexus / Scion)

Aluminium sealing ring 12x21x1.7 NBR

Title	Nominal size	Internal Ø	External Ø	Thickness material	Manufacturer and OEM	PU Piece	Article No.
Aluminium sealing ring	12 x 21 mm	12.2 mm	20.9 mm	1.7 mm	Daihatsu: 90044-30281 MINI: 11137791818 Toyota / Lexus / Scion: 90080-43037 / 90430-12031	50	207773

AGR: 01.641

Related Products

PU Amount Article No.

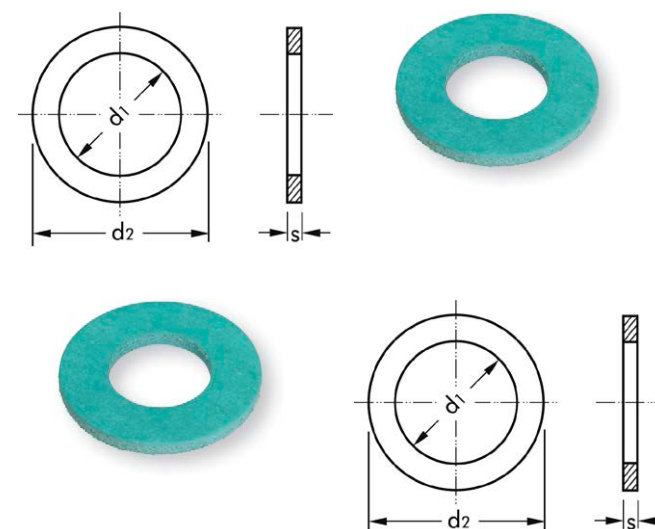
INTERNAL/Approved (2019-03-22 13:57:24)

Klingersil sealing rings

Technical Data

Material
Surface protection

Klinger-SIL



1

Klingersil sealing rings						
Title	Internal Ø	External Ø	Thickness material	Manufacturer and OEM	PU Piece	Article No.
Klingersil sealing ring	12 mm	24 mm	2 mm	Daihatsu: 90044-30281 Toyota / Lexus / Scion: 90080-43037 / 90430-12028	50	835250

AGR: 01.609

Related Products

	PU Amount	Article No.
Oil Drain Plug Daihatsu/Nissan/Toyota M 12x1,25x11	10	005445

Oil drain screw 12x18

Hints

- Including sealing ring:
Art. 337860

Technical Data

Material	Plastic
Surface protection	-



Art. 337860

Oil drain screw 12x18

Title	Ø	Length	Ø head	Manufacturer and OEM	PU Piece	Article No.
Oil drain screw	12 mm	18 mm	37 mm	PSA (Citroen, Peugeot): 9801444780 Ford: 1871598	10	337862

AGR: 16.913

Accessories Available

	PU Amount	Article No.
Rubber sealing ring 30x37x3	50	337860

Rubber sealing ring 30x37x3

Hints

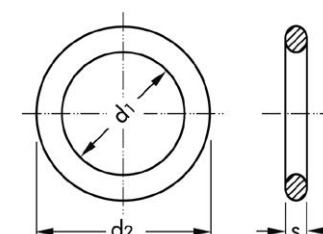
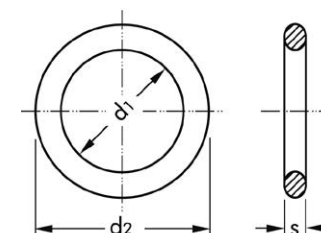
- Suitable oil drain screw:
PSA (Citroen/Peugeot) & Ford: Art. 337862

Technical Data

Material	NBR
Surface protection	-



Art. 337862 (PSA / Ford)



Art. 337862 (PSA / Ford)

Rubber sealing ring 30x37x3						
Title	Internal Ø	External Ø	Thickness material	Manufacturer and OEM	PU Piece	Article No.
Rubber sealing ring	30 mm	37 mm	3 mm	PSA (Citroen, Peugeot): - Ford: 1871600	50	337860

AGR: 01.641

Related Products

	PU Amount	Article No.
Ölablassschraube Ford 12x18 plastic	10	337862

INTERNAL/Approved (2019-03-22 13:57:41)

Oil drain screw M18x1.5x21



Art. 109806

Hints

- Suitable sealing ring:
Art. 109806

Technical Data

Material	Steel
Surface protection	zinc plated

Oil drain screw M18x1.5x21

Title	Dimension	Ø collar	Drive	Manufacturer and OEM	PU Piece	Article No.
Oil drain screw	M 18 x 1.5 x 21	26 mm	6KT 13	Alfa Romeo: 55196505 / 55188007 Chrysler: 55196505 Fiat: 55196505 / 55188007 Jeep: 55196505 / 55188007 Lancia: 55196505 / 55188007 Opel: 652950 / 0652950 Saab: 93183669 Vauxhall: 55588255 / 93183669	10	109727

AGR: 16.913

Accessories Available

	PU Amount	Article No.
Steel/rubber sealing ring 18.5x26x2.5	50	109806

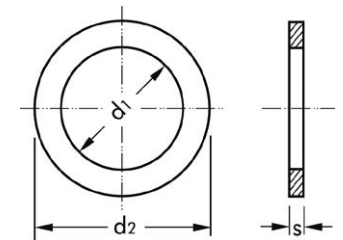
Steel/rubber sealing ring 18.5x26x2.5

Hints

- Suitable oil drain screw:
 Chrysler & Jeep & Opel / Vauxhall & Saab: Art. 109727
 Alfa Romeo & Fiat & Lancia: Art. 109727 and 5439

Technical Data

Material	Steel / rubber
Surface protection	zinc plated



Art. 109727 (Alfa Romeo / Chrysler / Fiat / Jeep / Lancia / Opel / Vauxhall / Saab)



Art. 5439 (Alfa Romeo / Fiat / Lancia)

Steel/rubber sealing ring 18.5x26x2.5							
Title	Nominal size	Internal Ø	External Ø	Thickness material	Manufacturer and OEM	PU Piece	Article No.
Steel/rubber sealing ring	18 x 26 mm	18.5 mm	26 mm	2.5 mm	Alfa Romeo: 55196309 / 10261660 Chrysler: - Fiat: 55196309 / 10261660 Jeep: 55196309 Lancia: 55196309 / 10261660 Opel: 0652543 / 0652554 Saab: 93183670 / 93178360 Vauxhall: 93183670 / 93178360	50	109806

AGR: 01.630

Related Products

	PU Amount	Article No.
Oil Drain Plug Alfa Romeo M18x1,5x27	10	005439
Oil Drain Plug Opel M 18x1,5x21	10	109727

Oil drain screw M10x1.25x13



Art. 171335

Hints

- Suitable sealing ring
Art. 171335

Technical Data

Material	Steel
Surface protection	zinc plated

Oil drain screw M10x1.25x13

Title	Dimension	Drive	Manufacturer and OEM	PU Piece	Article No.
Oil drain screw	M 10 x 1.25 x 13	6KT 21	PSA (Citroen, Peugeot): 0311.29 Ford: 1451673 / 1146063 Land Rover: LR004304 MINI: 11137543584 Mazda: Y401-10-404 Renault: 7703075033 Suzuki: 16590-73J00 Toyota: SU00100579 / SU001-00579 Volvo: 30735088	10	005429

AGR: 16.913

Accessories Available

	PU Amount	Article No.
Copper sealing ring 10x21x1.5	50	171335

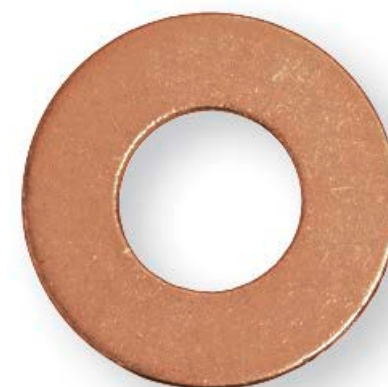
Copper sealing ring 10x21x1.5

Hints

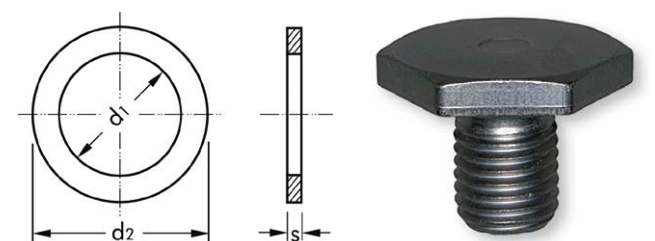
- Suitable oil drain screw:
PSA (Citroen/Peugeot) & Ford & Land Rover & MINI & Mazda & Renault & Suzuki & Toyota & Volvo: Art. 5429

Technical Data

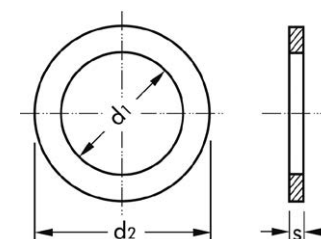
Material	Copper
Surface protection	-



1



Art. 5429 (PSA / Ford / Land Rover / MINI / Mazda / Renault / Suzuki / Toyota / Volvo)



Art. 5429 (PSA / Ford / Land Rover / MINI / Mazda / Renault / Suzuki / Toyota / Volvo)

INTERNAL/Approved (2019-03-22 13:58:04)

Oil drain screw M14x1.5x22



Art. 1279

Hints

- Including sealing ring:
Art. 1279

Technical Data

Material	Steel
Surface protection	Zinc nickel plated

Oil drain screw M14x1.5x22

Title	Dimension	Drive	Manufacturer and OEM	PU Piece	Article No.
Oil drain screw	M 14 x 1.5 x 22	6KT 19	VAG (Audi, Seat, Skoda, VW): N90813201 / N90813202 Chrysler: 68004313AA Dodge: 68004313AA Ford: 1459212 Jeep: 68004313AA Mitsubishi: MN980254 / MN980017 Porsche: N90813201 / N90813202	25	165175

AGR: 16.913

Accessories Available

	PU Amount	Article No.
Aluminium sealing ring 14x20x1.5	100	001279

Oil drain screw M12x1.5x18

Hints

- Suitable sealing ring:
 BMW: Art. 1252
 Opel / Vauxhall & Land Rover: Art. 833

Technical Data

Material	Steel
Surface protection	zinc plated



Art. 1252 (BMW)



Art. 833 (Opel / Land Rover)

Oil drain screw M12x1.5x18					
Title	Dimension	Drive	Manufacturer and OEM	PU Piece	Article No.
Oil drain screw	M 12 x 1.5 x 18	6KT 17	BMW: 11131273093 Land Rover: STC2034 Opel / Vauxhall: 652453 / 90542397	25	165180

AGR: 16.913

Accessories Available

	PU Piece	Article No.
Aluminium sealing ring 12x18x1.5	100	001252
Copper sealing ring 12x18x1.5	100	000833

Oil drain screw M14x1.5x20

1

Hints

- With integrated sealing ring

Technical Data

Material	Steel
Surface protection	phosphated



Oil drain screw M14x1.5x20

Title	Dimension	Drive	Manufacturer and OEM	PU Piece	Article No.
Oil drain screw	M 14 x 1.5 x 20	6KT 13	Chrysler: 6506214AA Dodge: 6506214AA Jeep: 6506214AA MINI: 11137513050	10	109725

AGR: 16.913

Oil drain screw M14x1.25x13

Characteristics

- Two drives: Hexagon (21 mm) and internal hexagon (8 mm)

Hints

- Suitable sealing ring:
Art. 167661



Art. 167661

1

Technical Data

Material	Steel
Surface protection	zinc plated

Oil drain screw M14x1.25x13

Title	Dimension	Drive	Manufacturer and OEM	PU Piece	Article No.
Oil drain screw	M 14 x 1.25 x 13	6KT 21	PSA (Citroen, Peugeot): 0311.40 / 0311.21 Toyota: SU001-00187	10	005430

AGR: 16.913

Accessories Available

	PU Amount	Article No.
Copper sealing ring (filler ring) 14x21x2	100	167661

Oil drain screw 16.5x17

Processing Information

- Special tools for these oil drain screws: Art. 251264 or Art. 251265.
A slot screwdriver can also be used to tighten and loosen the oil drain screw.

Hints

- Including sealing ring

Technical Data

Material	Plastic
Surface protection	-



Oil drain screw 16.5x17

Title	Ø	Length	Ø head	Manufacturer and OEM	PU Piece	Article No.
Oil drain screw	16.5 mm	17 mm	23 mm	VAG (Audi, Seat, Skoda, VW): 06L103801	10	245444

AGR: 16.913

INTERNAL/Approved (2019-03-22 13:58:25)

Oil drain screw M14x1.5x12

1

Hints

- Suitable sealing ring:
VAG (Audi/Seat/Skoda/VW): Art. 620 and Art. 207775
Porsche: Art. 207775

Technical Data

Material	Steel
Surface protection	Delta Protect black



Art. 620 (VAG)



Art. 207775 (VAG / Porsche)

Oil drain screw M14x1.5x12

Title	Dimension	Ø collar	Drive	Manufacturer and OEM	PU Piece	Article No.
Oil drain screw	M 14 x 1.5 x 12	19 mm	I6KT 6	VAG (Audi, Seat, Skoda, VW): N0160276 Porsche: N0160276	10	207719

AGR: 16.913

Accessories Available

	PU Piece	Article No.
Copper sealing ring 14x20x1.5	100	000620
Steel sealing ring (filler ring) 14x20x2	50	207775

Oil drain screw M18x1.5x27

Hints

- Suitable sealing ring:
Art. 109806 and Art. 5489

Technical Data

Material	Steel
Surface protection	zinc plated



Oil drain screw M18x1.5x27							
Title	Dimension	Ø collar	Drive	Manufacturer and OEM	PU Piece	Article No.	
Oil drain screw	M 18 x 1.5 x 27	26.5 mm	I6KT 8	Alfa Romeo: 46476967 / 60812431 Fiat: 46476967 / 60812431 Lancia: 46476967 / 60812431	10	005439	
AGR: 16.913							
Accessories Available					PU Piece	Article No.	
Steel/rubber sealing ring 18.5x26x2.5					50	109806	
Copper sealing ring 18x26x1.5					100	005489	

INTERNAL/Approved (2019-03-22 13:58:38)

Metric and inch screws

Oil drain screw M24x1.5x12



Hints

- Including sealing ring

Technical Data

Material	Plastic
Surface protection	-

Oil drain screw M24x1.5x12

Title	Dimension	Drive	Manufacturer and OEM	PU Piece	Article No.
Oil drain screw	M 24 x 1.5 x 12	I6KT 10	BMW: 11137605018	10	337861

AGR: 16.913

Oil drain screw M14x1.5x24



Art. 620

Hints

- Suitable sealing ring:
Art. 620

Technical Data

Material	Steel
Surface protection	Delta Protect

Oil drain screw M14x1.5x24

Title	Dimension	Ø collar	Drive	Manufacturer and OEM	PU Piece	Article No.
Oil drain screw	M 14 x 1.5 x 24	19 mm	6KT 13	Chrysler: 05073945AA / K05073945AA Dodge: 05073945AA Jeep: 05073945AA / K05073945AA Mercedes Benz: A1119970330 / 6019970230	10	165176

AGR: 16.913

Accessories Available

	PU Amount	Article No.
Copper sealing ring 14x20x1.5	100	000620

Oil drain screw M14x1.5x10

Hints

- Including sealing ring:
Art. 165181



Art. 165181

Technical Data

Material	Steel
Surface protection	Zinc nickel plated

Oil drain screw M14x1.5x10

Title	Dimension	Ø collar	Drive	Manufacturer and OEM	PU Piece	Article No.
Oil drain screw	M 14 x 1.5 x 10	25 mm	TX 45	BMW: 24117533937 / 24111423591 Chevrolet: 96023264 / 90502556 Fiat: 71753293 Opel: 0652315 / 0652477 Saab: 96023264 / 90502556 Suzuki: 16590-63P00 / 16590-86J00 Vauxhall: 96023264 / 90502556	10	112267

AGR: 16.913

Accessories Available

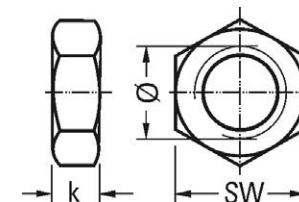
	PU Amount	Article No.
Rubber sealing ring 18x22x2	50	165181

1

DIN 934, steel 8, zinc plated

Hints

- ~ ISO 4032
DIN-ISO Differences see table
- $\varnothing \leq M4$ are supplied according to DIN 934 or ISO 4032 (norms are identical for these dimensions)



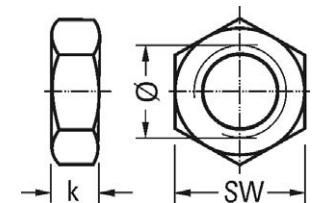
DIN 934, steel 8, zinc plated							
Title	Thread	Thread Pitch mm	Height nut	Wrench Width	PU Piece	Article No.	
Hexagon nut	M 2	0.45 mm	1.6 mm	4 mm	100	004316*	
Hexagon nut	M 2.5	0.45 mm	2 mm	5 mm	100	250848*	
Hexagon nut	M 3	0.5 mm	2.4 mm	5.5 mm	250	004324	
Hexagon nut	M 4	0.7 mm	3.2 mm	7 mm	500	004332	
Hexagon nut	M 5	0.8 mm	4 mm	8 mm	500	004340	
Hexagon nut	M 6	1 mm	5 mm	10 mm	500	004359	
Hexagon nut	M 7	1 mm	5.5 mm	11 mm	250	004367	
Hexagon nut	M 8	1.25 mm	6.5 mm	13 mm	500	004375	
Hexagon nut	M 10	1.5 mm	8 mm	17 mm	100	004448	
Hexagon nut	M 10	1.5 mm	8 mm	15 mm	100	004553	
Hexagon nut	M 12	1.75 mm	10 mm	19 mm	100	004391	
Hexagon nut	M 14	2 mm	11 mm	22 mm	100	004405	
Hexagon nut	M 16	2 mm	13 mm	24 mm	100	004413	
Hexagon nut	M 18	2.5 mm	15 mm	27 mm	50	004421	
Hexagon nut	M 20	2.5 mm	16 mm	30 mm	50	004430	
Hexagon nut	M 22	2.5 mm	18 mm	32 mm	25	408980	
Hexagon nut	M 24	3 mm	19 mm	36 mm	25	409006	
Hexagon nut	M 27	3 mm	22 mm	41 mm	10	409022	
Hexagon nut	M 30	3.5 mm	24 mm	46 mm	10	409049	
Hexagon nut	M 33	3.5 mm	26 mm	50 mm	1	128079*	
Hexagon nut	M 36	4 mm	29 mm	55 mm	1	063211*	
Hexagon nut	M 39	4 mm	31 mm	60 mm	1	063212*	
Hexagon nut	M 42	4.5 mm	34 mm	65 mm	1	063213*	
Hexagon nut	M 45	4.5 mm	36 mm	70 mm	1	063214*	

INTERNAL/Approved (2019-03-22 13:58:59)

DIN 934, steel 8, zinc plated						
Title	Thread	Thread Pitch mm	Height nut	Wrench Width	PU Piece	Article No.
Hexagon nut	M 48	5 mm	38 mm	75 mm	1	063215*
Hexagon nut	M 52	5 mm	42 mm	80 mm	1	063216*
Hexagon nut	M 56	5.5 mm	45 mm	85 mm	1	063217*
Hexagon nut	M 64	6 mm	51 mm	95 mm	1	128080*

* = The delivery time is 30 days
 AGR: 01.003

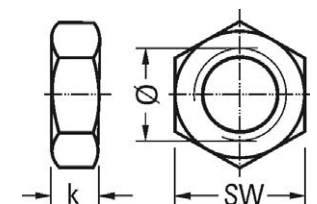
DIN 934, steel 8, yellow zinc plated



DIN 934, steel 8, yellow zinc plated						
Title	Thread	Thread Pitch mm	Height nut	Wrench Width	PU Piece	Article No.
Hexagon nut	M 12	1.75 mm	10 mm	19 mm	100	297720*

* = The delivery time is 30 days
 AGR: 01.003

DIN 934, steel 8, hot dip galvanized



Characteristics

- Thread tolerance 6H

Hints

- Risk of fitting problems: The thread of hot-dip galvanized nuts is ISO-fits. The use of screw thread type excess may be problems fitting and / or cause the connection to fail - see technical information

INTERNAL/Approved (2019-03-22 13:59:30)

1

DIN 934, steel 8, hot dip galvanized							
Title	Thread	Thread Pitch mm	Height nut	Wrench Width	PU Piece	Article No.	
Hexagon nut	M 6	1 mm	5 mm	10 mm	100	149687	
Hexagon nut	M 8	1.25 mm	6.5 mm	13 mm	100	149688	
Hexagon nut	M 10	1.5 mm	8 mm	17 mm	100	149578	
Hexagon nut	M 12	1.75 mm	10 mm	19 mm	100	149586	
Hexagon nut	M 14	2 mm	11 mm	22 mm	50	149594*	
Hexagon nut	M 16	2 mm	13 mm	24 mm	50	149608	
Hexagon nut	M 18	2.5 mm	15 mm	27 mm	50	149659*	
Hexagon nut	M 20	2.5 mm	16 mm	30 mm	25	149662	
Hexagon nut	M 22	2.5 mm	18 mm	32 mm	50	149667*	
Hexagon nut	M 24	3 mm	19 mm	36 mm	50	149670*	
Hexagon nut	M 27	3 mm	22 mm	41 mm	25	149671*	
Hexagon nut	M 30	3.5 mm	24 mm	46 mm	25	149675*	
Hexagon nut	M 33	3.5 mm	26 mm	50 mm	10	149683*	
Hexagon nut	M 36	4 mm	29 mm	55 mm	10	149684*	
Hexagon nut	M 39	4 mm	31 mm	60 mm	5	149685*	
Hexagon nut	M 42	4.5 mm	34 mm	65 mm	5	149686*	
Hexagon nut	M 45	4.5 mm	36 mm	70 mm	1	149227*	
Hexagon nut	M 48	5 mm	38 mm	75 mm	1	149231*	
Hexagon nut	M 52	5 mm	42 mm	80 mm	1	149233*	
Hexagon nut	M 56	5.5 mm	45 mm	85 mm	1	149234*	
Hexagon nut	M 64	6 mm	51 mm	95 mm	1	149236*	

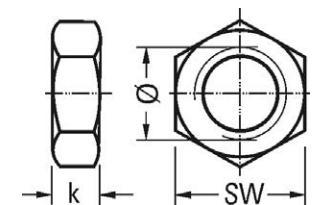
* = The delivery time is 10 days

AGR: 01.009

DIN 934, fine thread, steel 8, zinc plated

Hints

- ~ ISO 8673
DIN-ISO Differences see table
- $\emptyset \geq M42$ supplied according to DIN 934 or ISO 8673 (norms are identical for this dimensions)



INTERNAL/Approved (2019-03-22 13:59:47)

DIN 934, fine thread, steel 8, zinc plated					
Title	Thread	Height nut	Wrench Width	PU Piece	Article No.
Hexagon nut	M 8 x 1	6.5 mm	13 mm	100	004464
Hexagon nut	M 10 x 1	8 mm	17 mm	100	004510
Hexagon nut	M 10 x 1.25	8 mm	17 mm	100	411035
Hexagon nut	M 12 x 1	10 mm	19 mm	500	128081*
Hexagon nut	M 12 x 1.25	10 mm	19 mm	100	004529*
Hexagon nut	M 12 x 1.5	10 mm	19 mm	100	004472
Hexagon nut	M 14 x 1.25	11 mm	22 mm	100	128082*
Hexagon nut	M 14 x 1.5	11 mm	22 mm	50	004480
Hexagon nut	M 16 x 1.5	13 mm	24 mm	50	004499
Hexagon nut	M 18 x 1.5	15 mm	27 mm	50	004502
Hexagon nut	M 18 x 2	15 mm	27 mm	100	128083*
Hexagon nut	M 20 x 1.5	16 mm	30 mm	50	408972
Hexagon nut	M 20 x 2	16 mm	30 mm	50	063314*
Hexagon nut	M 22 x 1.5	18 mm	32 mm	25	408999
Hexagon nut	M 22 x 2	18 mm	32 mm	50	077409*
Hexagon nut	M 24 x 1.5	19 mm	36 mm	10	409014*
Hexagon nut	M 24 x 2	19 mm	36 mm	10	409073
Hexagon nut	M 27 x 1.5	22 mm	41 mm	50	409030*
Hexagon nut	M 27 x 2	22 mm	41 mm	50	063316*
Hexagon nut	M 30 x 1.5	24 mm	46 mm	1	409057*
Hexagon nut	M 30 x 2	24 mm	46 mm	1	409081*
Hexagon nut	M 33 x 2	26 mm	50 mm	1	063320*
Hexagon nut	M 36 x 1.5	29 mm	55 mm	1	063321*
Hexagon nut	M 36 x 2	29 mm	55 mm	1	063322*
Hexagon nut	M 36 x 3	29 mm	55 mm	1	063323*
Hexagon nut	M 39 x 3	31 mm	60 mm	1	128084*
Hexagon nut	M 42 x 3	34 mm	65 mm	1	128085*
Hexagon nut	M 45 x 3	36 mm	70 mm	1	128086*
Hexagon nut	M 48 x 1.5	38 mm	75 mm	1	128087*
Hexagon nut	M 48 x 2	38 mm	75 mm	1	128088*
Hexagon nut	M 48 x 3	38 mm	75 mm	1	128089*

INTERNAL/Approved (2019-03-22 14:00:05)

1

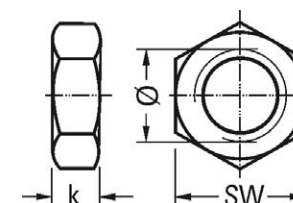
DIN 934, fine thread, steel 8, zinc plated

Title	Thread	Height nut	Wrench Width	PU Piece	Article No.
Hexagon nut	M 52 x 3	42 mm	80 mm	1	128090*

* = The delivery time is 10 days

AGR: 01.003

DIN 934, fine thread, steel 8, yellow zinc plated



DIN 934, fine thread, steel 8, yellow zinc plated

Title	Thread	Height nut	Wrench Width	PU Piece	Article No.
Hexagon nut	M 10 x 1.25	8 mm	14 mm	100	117170*

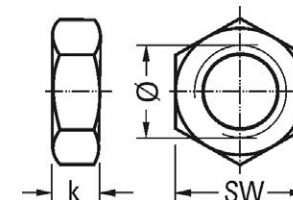
* = The delivery time is 30 days

AGR: 01.003

DIN 934, steel 10, zinc plated

Hints

- ~ ISO 8673
DIN-ISO Differences see table
- $\varnothing \geq M42$ supplied according to DIN 934 or ISO 8673 (norms are identical for this dimensions)
- Danger of hydrogen embrittlement: At galvanized coatings on high-strength parts with a tear-resistance starting at 1000 N/mm^2 (e.g. FKL 10) und spring hardened party with a hardness of 320 HV the danger of a hydrogen embrittlement is not surely excluded (danger of brittle fracture) - see technical informations



DIN 934, steel 10, zinc plated						
Title	Thread	Thread Pitch mm	Height nut	Wrench Width	PU Piece	Article No.
Hexagon nut	M 4	0.7 mm	3.2 mm	7 mm	100	128091*
Hexagon nut	M 5	0.8 mm	4 mm	8 mm	100	128092*
Hexagon nut	M 6	1 mm	5 mm	10 mm	100/250	005207*
Hexagon nut	M 8	1.25 mm	6.5 mm	13 mm	100/250	005215*
Hexagon nut	M 10	1.5 mm	8 mm	17 mm	100	005223
Hexagon nut	M 12	1.75 mm	10 mm	19 mm	100	005282
Hexagon nut	M 14	2 mm	11 mm	22 mm	50	005290
Hexagon nut	M 16	2 mm	13 mm	24 mm	50	005231
Hexagon nut	M 18	2.5 mm	15 mm	27 mm	50	409154
Hexagon nut	M 20	2.5 mm	16 mm	30 mm	50	409197
Hexagon nut	M 22	2.5 mm	18 mm	32 mm	50	409219*
Hexagon nut	M 24	3 mm	19 mm	36 mm	25	409235
Hexagon nut	M 27	3 mm	22 mm	41 mm	50	409251*
Hexagon nut	M 30	3.5 mm	24 mm	46 mm	10	409278*
Hexagon nut	M 33	3.5 mm	26 mm	50 mm	10	128093*
Hexagon nut	M 36	4 mm	29 mm	55 mm	10	128094*
Hexagon nut	M 39	4 mm	31 mm	60 mm	1	128095*
Hexagon nut	M 42	4.5 mm	34 mm	65 mm	5	128096*
Hexagon nut	M 48	5 mm	38 mm	75 mm	1	128097*
Hexagon nut	M 52	5 mm	42 mm	80 mm	1	128098*

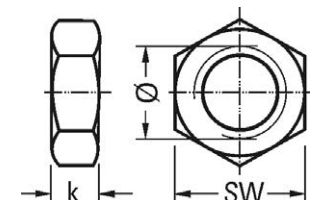
* = The delivery time is 10 days

AGR: 01.004

DIN 934, fine thread, steel 10, zinc plated

Hints

- ~ ISO 8673
DIN-ISO Differences see table
- $\varnothing \geq M42$ supplied according to DIN 934 or ISO 8673 (norms are identical for this dimensions)



INTERNAL/Approved (2019-03-22 14:00:30)

1

- Danger of hydrogen embrittlement: At galvanized coatings on high-strength parts with a tear-resistance starting at 1000 N/mm² (e.g. FKL 10) und spring hardened party with a hardness of 320 HV the danger of a hydrogen embrittlement is not surely excluded (danger of brittle fracture) - see technical informations

DIN 934, fine thread, steel 10, zinc plated

Title	Thread	Height nut	Wrench Width	PU Piece	Article No.
Hexagon nut	M 8 x 1	6.5 mm	13 mm	100	409090
Hexagon nut	M 10 x 1	8 mm	17 mm	100	005240*
Hexagon nut	M 10 x 1.25	8 mm	17 mm	100	409111
Hexagon nut	M 12 x 1.5	10 mm	19 mm	100	005266*
Hexagon nut	M 14 x 1.5	11 mm	22 mm	50	005258*
Hexagon nut	M 16 x 1.5	13 mm	24 mm	50	409138
Hexagon nut	M 18 x 1.5	15 mm	27 mm	25	409170*
Hexagon nut	M 18 x 2	15 mm	27 mm	100	128099*
Hexagon nut	M 20 x 1.5	16 mm	30 mm	25	005274*
Hexagon nut	M 20 x 2	16 mm	30 mm	25	128100*
Hexagon nut	M 24 x 1.5	19 mm	36 mm	10	409243*
Hexagon nut	M 24 x 2	19 mm	36 mm	25	409308*
Hexagon nut	M 30 x 1.5	24 mm	46 mm	10	409286*
Hexagon nut	M 30 x 2	24 mm	46 mm	10	409316*
Hexagon nut	M 36 x 3	29 mm	55 mm	1	128101*
Hexagon nut	M 42 x 3	34 mm	65 mm	1	128102*
Hexagon nut	M 48 x 3	38 mm	75 mm	1	128103*

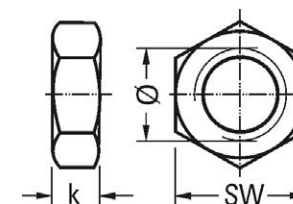
* = The delivery time is 10 days

AGR: 01.002

DIN 934, stainless steel A2

Hints

- ~ ISO 4032
DIN-ISO Differences see table



- $\varnothing \leq M4$ are supplied according to DIN 934 or ISO 4032 ausgeliefert (norms are identical for these dimensions)



DIN 934, stainless steel A2							
Title	Thread	Thread Pitch mm	Height nut	Wrench Width	PU Piece	Article No.	
Hexagon nut	M 2	0.4 mm	1.6 mm	4 mm	1000	097295*	
Hexagon nut	M 2.5	0.45 mm	2 mm	5 mm	1000	097296*	
Hexagon nut	M 3	0.5 mm	2.4 mm	5.5 mm	200	005339	
Hexagon nut	M 3.5	0.6 mm	2.8 mm	6 mm	1000	097297*	
Hexagon nut	M 4	0.7 mm	3.2 mm	7 mm	200	005347	
Hexagon nut	M 5	0.8 mm	4 mm	8 mm	200	005355	
Hexagon nut	M 6	1 mm	5 mm	10 mm	200	005363	
Hexagon nut	M 8	1.25 mm	6.5 mm	13 mm	200	005371	
Hexagon nut	M 10	1.5 mm	8 mm	17 mm	100	005380	
Hexagon nut	M 12	1.75 mm	10 mm	19 mm	100	005398	
Hexagon nut	M 14	2 mm	11 mm	22 mm	50	356506	
Hexagon nut	M 16	2 mm	13 mm	24 mm	50	005401	
Hexagon nut	M 18	2.5 mm	15 mm	27 mm	50	356522*	
Hexagon nut	M 20	2.5 mm	16 mm	30 mm	25	356530	
Hexagon nut	M 22	2.5 mm	18 mm	32 mm	25	356549*	
Hexagon nut	M 24	3 mm	19 mm	36 mm	10	356557	
Hexagon nut	M 27	3 mm	22 mm	41 mm	25	356565*	
Hexagon nut	M 30	3.5 mm	24 mm	46 mm	25	356573*	

* = The delivery time is 14 days

AGR: 01.005

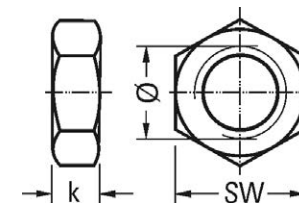
INTERNAL/Approved (2019-03-22 14:00:48)

DIN 934, stainless steel A4

1

Hints

- ~ ISO 4032
DIN-ISO Differences see table
- $\emptyset \leq M4$ are supplied according to DIN 934 or ISO 4032 (norms are identical for these dimensions)



DIN 934, stainless steel A4

Title	Thread	Thread Pitch mm	Height nut	Wrench Width	PU Piece	Article No.
Hexagon nut	M 3	0.5 mm	2.4 mm	5.5 mm	1000	157714*
Hexagon nut	M 4	0.7 mm	3.2 mm	7 mm	100	555061
Hexagon nut	M 5	0.8 mm	4 mm	8 mm	100	555070
Hexagon nut	M 6	1 mm	5 mm	10 mm	100	555088
Hexagon nut	M 8	1.25 mm	6.5 mm	13 mm	100	555096
Hexagon nut	M 10	1.5 mm	8 mm	17 mm	100	555100
Hexagon nut	M 12	1.75 mm	10 mm	19 mm	50	555118
Hexagon nut	M 14	2 mm	11 mm	22 mm	50	157715
Hexagon nut	M 16	2 mm	13 mm	24 mm	25	100053
Hexagon nut	M 18	2.5 mm	15 mm	27 mm	50	157717*
Hexagon nut	M 20	2.5 mm	16 mm	30 mm	25	157718
Hexagon nut	M 22	2.5 mm	18 mm	32 mm	25	063989*
Hexagon nut	M 24	3 mm	19 mm	36 mm	25	018876*
Hexagon nut	M 27	3 mm	22 mm	41 mm	25	063990*
Hexagon nut	M 30	3.5 mm	24 mm	46 mm	25	018877*

* = The delivery time is 14 days

AGR: 01.005

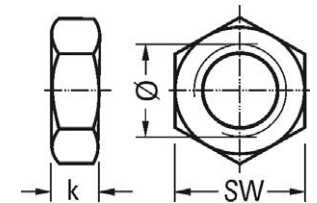
ISO 4032, steel 8, zinc plated

Characteristics

- ISO-Type 1

Hints

- ~ DIN 934, ISO-changes: Ø M10 / 12/14/22 -> new ISO widths (SW) and ISO heights (k) Others Ø M 5 - M 39 -> new ISO heights (k)



1

ISO 4032, steel 8, zinc plated

Title	Thread	Thread Pitch mm	Height nut	Wrench Width	PU Piece	Article No.
Hexagon nut	M 10	1.5 mm	8.4 mm	16 mm	100	100050*
Hexagon nut	M 12	1.75 mm	10.8 mm	18 mm	100	100051
Hexagon nut	M 14	2 mm	12.8 mm	21 mm	100	100052*

* = The delivery time is 30 days

AGR: 01.003

1

DIN 439-2, shape B, steel 04, zinc plated

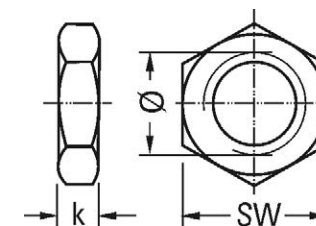
- x
-

Characteristics

- Low shape
- Shape B = with chamfer

Hints

- Ø M10, M12 and M14 are delivered in accordance to DIN 439-2
- DIN ISO difference lies the key width: M10: DIN = 17
- ISO = 16 M12: **DIN = 19**
- ISO = 18 M14: DIN = 22
- ISO = 21
- Replaces DIN 936



DIN 439-2, shape B, steel 04, zinc plated

Title	Thread	Thread Pitch mm	Height nut	Wrench Width	PU Piece	Article No.
Hexagon nut	M 2	0.4 mm	1.2 mm	4 mm	1000	128277*
Hexagon nut	M 2.5	0.45 mm	1.6 mm	5 mm	1000	128278*
Hexagon nut	M 3	0.5 mm	1.8 mm	5.5 mm	100	128280*
Hexagon nut	M 4	0.7 mm	2.2 mm	7 mm	100	128281
Hexagon nut	M 5	0.8 mm	2.7 mm	8 mm	100	128282
Hexagon nut	M 6	1 mm	3.2 mm	10 mm	100	128283
Hexagon nut	M 8	1.25 mm	4 mm	13 mm	100	044351
Hexagon nut	M 10	1.5 mm	5 mm	17 mm	100	044344*
Hexagon nut	M 12	1.75 mm	6 mm	19 mm	100	044345*
Hexagon nut	M 14	2 mm	7 mm	22 mm	100	044346*
Hexagon nut	M 16	2 mm	8 mm	24 mm	100	044348*
Hexagon nut	M 20	2.5 mm	10 mm	30 mm	50	128284*
Hexagon nut	M 24	3 mm	12 mm	36 mm	50	128285
Hexagon nut	M 30	3.5 mm	15 mm	46 mm	25	128286*
Hexagon nut	M 36	4 mm	18 mm	55 mm	10	128288*
Hexagon nut	M 42	4.5 mm	21 mm	65 mm	10	128289*

INTERNAL/Approved (2019-03-22 14:01:48)

* = The delivery time is 10 days

AGR: 01.000

DIN 439-2, shape B, stainless steel A2

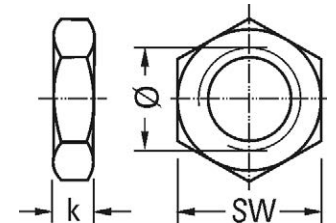
- Metric thread
- Stainless steel A2

Characteristics

- Low shape
- Shape B = with chamfer

Hints

- Ø M10, M12 and M14 are delivered in accordance to DIN 439-2
- DIN ISO difference lies the key width: <soft return/>M10: DIN = 17
- ISO = 16 <soft return/>M12: **DIN = 19**
- ISO = 18<soft return/>M14: DIN = 22
- ISO = 21
- Replaces DIN 936



DIN 439-2, shape B, stainless steel A2						
Title	Thread	Thread Pitch mm	Height nut	Wrench Width	PU Piece	Article No.
Hexagon nut	M 2	0.4 mm	1.2 mm	4 mm	1000	097239*
Hexagon nut	M 2.5	0.45 mm	1.6 mm	5 mm	1000	097240*
Hexagon nut	M 3	0.5 mm	1.8 mm	5.5 mm	1000	097242*
Hexagon nut	M 4	0.7 mm	2.2 mm	7 mm	1000	097243*
Hexagon nut	M 5	0.8 mm	2.7 mm	8 mm	1000	102333
Hexagon nut	M 6	1 mm	3.2 mm	10 mm	1000	102335
Hexagon nut	M 8	1.25 mm	4 mm	13 mm	500	102336
Hexagon nut	M 10	1.5 mm	5 mm	17 mm	200	097245
Hexagon nut	M 12	1.75 mm	6 mm	19 mm	200	097248
Hexagon nut	M 14	2 mm	7 mm	22 mm	100	097253*
Hexagon nut	M 16	2 mm	8 mm	24 mm	100	097255
Hexagon nut	M 20	2.5 mm	10 mm	30 mm	50	097257
Hexagon nut	M 24	3 mm	12 mm	36 mm	25	097259*

* = The delivery time is 14 days

AGR: 01.000

INTERNAL/Approved (2019-03-22 14:01:55)

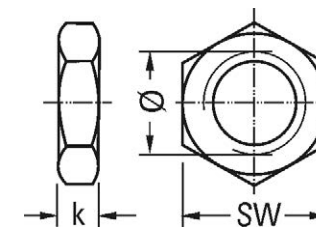
DIN 439-2, shape B, fine thread, stainless steel A2

Characteristics

- Low form
- Form B = with chamfer

Hints

- Ø M10, M12 and M14 are supplied according to DIN 439-2
- DIN-ISO difference in the width across flats:
 - M10: DIN=17
 - ISO=16
 - M12: DIN=19
 - ISO=18
 - M14: DIN=22
 - ISO=21
- Replaces DIN 936



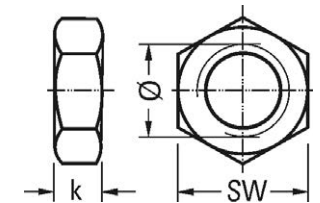
DIN 439-2, shape B, fine thread, stainless steel A2					
Title	Thread	Height nut	Wrench Width	PU Piece	Article No.
Hexagon nut	M 8 x 1	4 mm	13 mm	200	097244*
Hexagon nut	M 10 x 1	5 mm	17 mm	100	097246*
Hexagon nut	M 10 x 1.25	5 mm	17 mm	100	097247*
Hexagon nut	M 12 x 1	6 mm	19 mm	100	097249*
Hexagon nut	M 12 x 1.25	6 mm	19 mm	50	097251*
Hexagon nut	M 12 x 1.5	6 mm	19 mm	50	097252*
Hexagon nut	M 14 x 1.5	7 mm	22 mm	50	097254*
Hexagon nut	M 16 x 1.5	8 mm	24 mm	50	097256*
Hexagon nut	M 20 x 1.5	10 mm	30 mm	50	097258*
Hexagon nut	M 24 x 1.5	12 mm	36 mm	25	097260*

* = The delivery time is 14 days
 AGR: 01.000

similar DIN 934, UNC thread, steel 8, zinc plated

Hints

- American coarse pitch thread


1

similar DIN 934, UNC thread, steel 8, zinc plated

Title	Thread	Height nut	Wrench	PU Piece	Article No.
Inch hexagon nut	UNC 1/4	5.7 mm	7/16 "	100	539732*
Inch hexagon nut	UNC 5/16	6.9 mm	1/2 "	100	844271*
Inch hexagon nut	UNC 3/8	8.6 mm	9/16 "	100	844272*
Inch hexagon nut	UNC 7/16	9.8 mm	5/8 "	100	539767*
Inch hexagon nut	UNC 1/2	11.4 mm	3/4 "	100	539775*

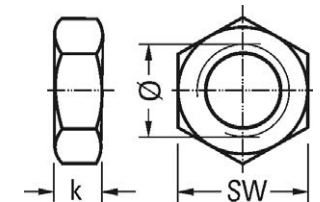
* = The delivery time is 30 days

AGR: 01.015

similar DIN 934, UNF thread, steel 8, zinc plated

Hints

- American fine-pitch thread



similar DIN 934, UNF thread, steel 8, zinc plated

Title	Thread	Height nut	Wrench	PU Piece	Article No.
Inch hexagon nut	UNF 1/4	5.7 mm	7/16 "	100	844275*
Inch hexagon nut	UNF 5/16	6.9 mm	1/2 "	100	844276*
Inch hexagon nut	UNF 3/8	8.6 mm	9/16 "	100	539805*
Inch hexagon nut	UNF 7/16	9.8 mm	5/8 "	100	844278*
Inch hexagon nut	UNF 1/2	11.4 mm	3/4 "	100	844279*

* = The delivery time is 30 days

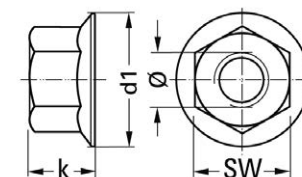
AGR: 01.015

INTERNAL/Approved (2019-03-22 14:02:14)

1

DIN 6923, with flange, steel 8, zinc plated

- X
-



DIN 6923, with flange, steel 8, zinc plated

Title	Thread	Thread Pitch mm	Height nut	Wrench Width	Ø collar	PU Piece	Article No.
Hexagon nut	M 4	0.7 mm	4.65 mm	7 mm	10 mm	1000	128290*
Hexagon nut	M 5	0.8 mm	5 mm	8 mm	11.8 mm	1000	128291*
Hexagon nut	M 6	1 mm	6 mm	10 mm	14.2 mm	200	128292*
Hexagon nut	M 8	1.25 mm	8 mm	13 mm	17.9 mm	200	128293*
Hexagon nut	M 10	1.5 mm	10 mm	15 mm	21.8 mm	100	128294*
Hexagon nut	M 12	1.75 mm	12 mm	18 mm	26 mm	100	128296*
Hexagon nut	M 16	2 mm	16 mm	24 mm	34.5 mm	50	128297*
Hexagon nut	M 20	2.5 mm	20 mm	30 mm	42.8 mm	50	128298*

* = The delivery time is 10 days

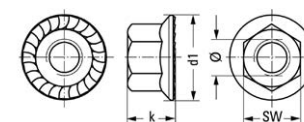
AGR: 01.056

similar DIN 6923, with flange and serration, steel 8, zinc plated

- By flange and locking teeth, spring, serrated or corrugated washers are not needed anymore

Application Area

- Securing of screw connections, which are exposed to dynamic loads in the axial direction



similar DIN 6923, with flange and serration, steel 8, zinc plated

Title	Thread	Thread Pitch mm	Height nut	Wrench Width	Ø collar	PU Piece	Article No.
Serrated nut	M 5	0.8 mm	5 mm	8 mm	11.5 mm	100	567388
Serrated nut	M 6	1 mm	6 mm	10 mm	14 mm	100	021036
Serrated nut	M 8	1.25 mm	8 mm	13 mm	17.8 mm	100	021037
Serrated nut	M 10	1.5 mm	10 mm	15 mm	20.5 mm	100	028931
Serrated nut	M 12	1.75 mm	12 mm	18 mm	26 mm	50	567426

AGR: 01.053

1 similar DIN 6923, with flange and serration, steel 10, zinc plated

- By flange and locking teeth, spring, serrated or corrugated washers are not needed anymore

Application Area

- Securing of screw connections, which are exposed to dynamic loads in the axial direction

Characteristics

- Surface-hardened

Hints

- Risk of hydrogen embrittlement: at galvanic coatings on high-strength parts with a tensile strength from 1000 N/mm² (e. g. FKL 10) and spring-hard parts with a hardness from 320 HV, the risk of hydrogen embrittlement (brittle fracture) can not be excluded with certainty - see technical information



similar DIN 6923, with flange and serration, steel 10, zinc plated

Title	Thread	Thread Pitch mm	Height nut	Wrench Width	Ø collar	PU Piece	Article No.
Serrated nut	M 12	1.75 mm	8.7 mm	17 mm	24 mm	100	128195*
Serrated nut	M 16	2 mm	11.2 mm	22 mm	31 mm	50	128196*

* = The delivery time is 10 days

AGR: 01.053

similar DIN 6923, with flange and serration, stainless steel A2

- By flange and locking teeth, spring, serrated or corrugated washers are not needed anymore

Application Area

- Securing of screw connections, which are exposed to dynamic loads in the axial direction



similar DIN 6923, with flange and serration, stainless steel A2

Title	Thread	Thread Pitch mm	Height nut	Wrench Width	Ø collar	PU Piece	Article No.
Serrated nut	M 4	0.7 mm	4.65 mm	7 mm	10 mm	500	097331
Serrated nut	M 5	0.8 mm	5 mm	8 mm	11.8 mm	500	097332
Serrated nut	M 6	1 mm	6 mm	10 mm	14.2 mm	200	097333
Serrated nut	M 8	1.25 mm	8 mm	13 mm	17.9 mm	100	021463
Serrated nut	M 10	1.5 mm	10 mm	15 mm	21.8 mm	100	021460
Serrated nut	M 12	1.75 mm	12 mm	18 mm	26 mm	100	021461

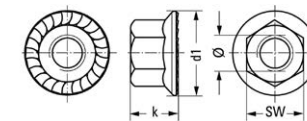
AGR: 01.053

similar DIN 6923, with flange and serration, stainless steel A4

- By flange and locking teeth, spring, serrated or corrugated washers are not needed anymore

Application Area

- Securing of screw connections, which are exposed to dynamic loads in the axial direction



similar DIN 6923, with flange and serration, stainless steel A4

Title	Thread	Thread Pitch mm	Height nut	Wrench Width	Ø collar	PU Piece	Article No.
Serrated nut	M 8	1.25 mm	8 mm	13 mm	17.9 mm	100	097334*
Serrated nut	M 10	1.5 mm	10 mm	15 mm	21.8 mm	100	097335*
Serrated nut	M 12	1.75 mm	12 mm	18 mm	26 mm	100	097336*

* = The delivery time is 14 days

AGR: 01.053

INTERNAL/Approved (2019-03-22 14:02:49)

1

Ribbed nuts, with flange, steel 10, zinc plated

Application Area

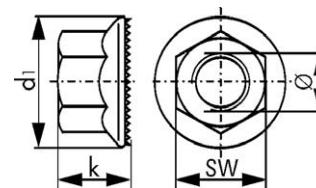
- Securing of fixtures which are exposed to extreme stress and vibration forces

Characteristics

- Surface-hardened

Hints

- Risk of hydrogen embrittlement: at galvanic coatings on high-strength parts with a tensile strength from 1000 N/mm² (e. g. FKL 10) and spring-hard parts with a hardness from 320 HV, the risk of hydrogen embrittlement (brittle fracture) can not be excluded with certainty - see technical information



Ribbed nuts, with flange, steel 10, zinc plated

Title	Thread	Thread Pitch mm	Height nut	Wrench Width	Ø collar	PU Piece	Article No.
Ribbed nut	M 5	0.8 mm	4.3 mm	8 mm	11.2 mm	500	128197*
Ribbed nut	M 6	1 mm	5.5 mm	10 mm	14.2 mm	200	128198
Ribbed nut	M 8	1.25 mm	7 mm	13 mm	18.2 mm	200	128199
Ribbed nut	M 10	1.5 mm	8.5 mm	15 mm	21 mm	200	128200*
Ribbed nut	M 12	1.75 mm	10 mm	17 mm	24 mm	100	128201*
Ribbed nut	M 16	2 mm	14 mm	22 mm	31 mm	50	128202*

* = The delivery time is 10 days

AGR: 01.054

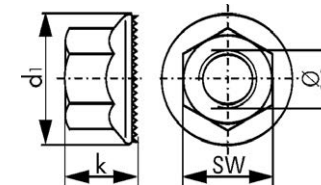
Ribbed nuts, with flange, steel 10, yellow zinc plated

Application Area

- Securing of fixtures which are exposed to extreme stress and vibration forces

Hints

- Risk of hydrogen embrittlement: at galvanic coatings on high-strength parts with a tensile strength from 1000 N/mm² (e. g. FKL 10) and spring-hard parts with a hardness from 320 HV, the risk of hydrogen embrittlement (brittle fracture) can not be excluded with certainty - see technical information



Ribbed nuts, with flange, steel 10, yellow zinc plated							
Title	Thread	Thread Pitch mm	Height nut	Wrench Width	Ø collar	PU Piece	Article No.
Ribbed nut	M 5	0.8 mm	4.3 mm	8 mm	11.2 mm	100	161935*
Ribbed nut	M 6	1 mm	5.5 mm	10 mm	14.2 mm	100	161936*
Ribbed nut	M 8	1.25 mm	7 mm	13 mm	18.2 mm	100	161937*
Ribbed nut	M 10	1.5 mm	8.5 mm	15 mm	21 mm	100	161938*
Ribbed nut	M 12	1.75 mm	10 mm	17 mm	24 mm	100	161939*
Ribbed nut	M 16	2 mm	14 mm	22 mm	31 mm	100	161940*

* = The delivery time is 30 days

AGR: 01.054

1 Ribbed nuts, with flange, fine thread, steel 10, zinc plated

Application Area

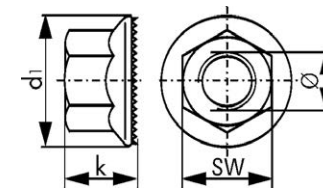
- Securing of fixtures which are subject to extreme stress and vibration forces

Characteristics

- Surface-hardened

Hints

- Risk of hydrogen embrittlement: at galvanic coatings on high-strength parts with a tensile strength from 1000 N/mm² (e. g. FKL 10) and spring-hard parts with a hardness from 320 HV, the risk of hydrogen embrittlement (brittle fracture) can not be excluded with certainty - see technical information



Ribbed nuts, with flange, fine thread, steel 10, zinc plated

Title	Thread	Height nut	Wrench Width	Ø collar	PU Piece	Article No.
Ribbed nut	M 14 x 1.5	12 mm	19 mm	27.5 mm	100	128203
Ribbed nut	M 16 x 1.5	14 mm	22 mm	31 mm	50	199620

AGR: 01.054

DIN 980, shape V, steel 8, zinc plated

Characteristics

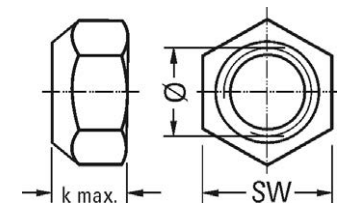
- Shape V = one-piece

Processing Information

- Due to the narrow nut thread (pitch and diameter) the backup function is generated
- Heat resistance up to 300 °C

Hints

- ~ ISO 7042
For DIN-ISO differences look at the table


1

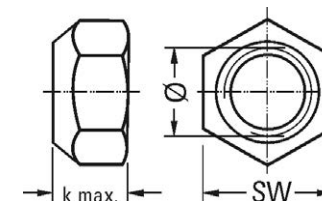
DIN 980, shape V, steel 8, zinc plated							
Title	Thread	Thread Pitch mm	Height nut	Wrench Width	PU Piece	Article No.	
Locking nut	M 4	0.7 mm	4.2 mm	7 mm	100	128132*	
Locking nut	M 5	0.8 mm	5.1 mm	8 mm	100	894447	
Locking nut	M 6	1 mm	6 mm	10 mm	100	505315	
Locking nut	M 8	1.25 mm	8 mm	13 mm	100	505323	
Locking nut	M 10	1.5 mm	10 mm	17 mm	100	505331	
Locking nut	M 12	1.75 mm	12 mm	19 mm	50	505340	
Locking nut	M 14	2 mm	14 mm	22 mm	50	870618	
Locking nut	M 16	2 mm	16 mm	24 mm	25	505358	
Locking nut	M 18	2.5 mm	18 mm	27 mm	50	128133*	
Locking nut	M 20	2.5 mm	20 mm	30 mm	50	063389*	
Locking nut	M 22	2.5 mm	22 mm	32 mm	25	128134*	
Locking nut	M 24	3 mm	24 mm	36 mm	25	063391*	
Locking nut	M 27	3 mm	27 mm	41 mm	25	128135*	
Locking nut	M 30	3.5 mm	30 mm	46 mm	10	128136*	
Locking nut	M 36	4 mm	36 mm	55 mm	10	128137*	

* = The delivery time is 30 days

AGR: 01.020

INTERNAL/Approved (2019-03-22 14:03:16)

DIN 980, shape V, fine thread, steel 8, zinc plated



Characteristics

- Through the narrow nut thread (pitch and diameter) the backup function is generated
Form V = One-piece

Processing Information

- Heat resistant up to 300 °C

Hints

- ~ ISO 10513
for DIN-ISO differences look at the table

DIN 980, shape V, fine thread, steel 8, zinc plated

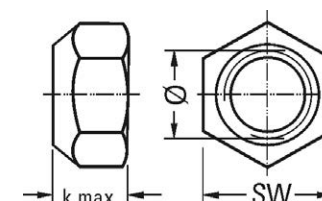
Title	Thread	Height nut	Wrench Width	PU Piece	Article No.
Locking nut	M 8 x 1	8 mm	13 mm	100	128138*
Locking nut	M 10 x 1	10 mm	17 mm	50	829074
Locking nut	M 12 x 1.5	12 mm	19 mm	50/100	829913
Locking nut	M 14 x 1.5	14 mm	22 mm	50	829937
Locking nut	M 16 x 1.5	16 mm	24 mm	50	830162
Locking nut	M 18 x 1.5	18 mm	27 mm	50	128140*
Locking nut	M 20 x 1.5	20 mm	30 mm	50	128141*
Locking nut	M 22 x 1.5	22 mm	32 mm	50	128142*
Locking nut	M 24 x 1.5	24 mm	36 mm	25	128143*
Locking nut	M 24 x 2	24 mm	36 mm	25	128144*
Locking nut	M 30 x 2	30 mm	46 mm	10	128145*

* = The delivery time is 10 days
AGR: 01.020

DIN 980, shape V, steel 10, zinc plated

Characteristics

- Through the narrow nut thread (pitch and diameter) the backup function is generated
Form V = One-piece



Processing Information

- Heat resistant up to 300 °C

Hints

- ~ ISO 7042
For DIN-ISO differences look at the table
- Risk of hydrogen embrittlement: at galvanic coatings on high-strength parts with a tensile strength from 1000 N/mm² (e. g. FKL 10) and spring-hard parts with a hardness from 320 HV, the risk of hydrogen embrittlement (brittle fracture) can not be excluded with certainty - see technical information

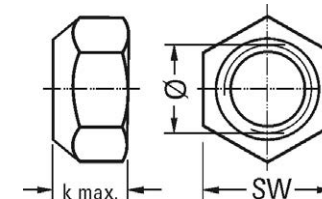
DIN 980, shape V, steel 10, zinc plated							
Title	Thread	Thread Pitch mm	Height nut	Wrench Width	PU Piece	Article No.	
Locking nut	M 8	1.25 mm	8 mm	13 mm	100	128146*	
Locking nut	M 10	1.5 mm	10 mm	17 mm	100	128147*	
Locking nut	M 12	1.75 mm	12 mm	19 mm	100	128148*	
Locking nut	M 14	2 mm	14 mm	22 mm	100	128149*	
Locking nut	M 16	2 mm	16 mm	24 mm	50	128150	
Locking nut	M 18	2.5 mm	18 mm	27 mm	50	128151*	
Locking nut	M 20	2.5 mm	20 mm	30 mm	50	128152*	
Locking nut	M 22	2.5 mm	22 mm	32 mm	25	128153*	
Locking nut	M 24	3 mm	24 mm	36 mm	25	128154*	
Locking nut	M 27	3 mm	27 mm	41 mm	10	128155*	
Locking nut	M 30	3.5 mm	30 mm	46 mm	10	128156*	
Locking nut	M 36	4 mm	36 mm	55 mm	10	128157*	

* = The delivery time is 30 days

AGR: 01.021

INTERNAL/Approved (2019-03-22 14:03:36)

DIN 980, shape V, steel 10, yellow zinc plated



Characteristics

- Through the narrow nut thread (pitch and diameter) the backup function is generated
Form V = One-piece

Processing Information

- Heat resistant up to 300 °C

Hints

- ~ ISO 7042
For DIN-ISO differences look at the table
- Risk of hydrogen embrittlement: at galvanic coatings on high-strength parts with a tensile strength from 1000 N/mm² (e. g. FKL 10) and spring-hard parts with a hardness from 320 HV, the risk of hydrogen embrittlement (brittle fracture) can not be excluded with certainty - see technical information

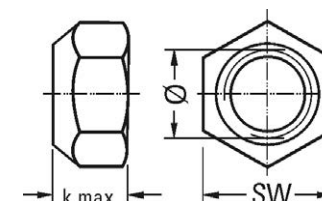
DIN 980, shape V, steel 10, yellow zinc plated

Title	Thread	Thread Pitch mm	Height nut	Wrench Width	PU Piece	Article No.
Locking nut	M 10	1.5 mm	11 mm	17 mm	100	161918*
Locking nut	M 12	1.75 mm	13.2 mm	19 mm	100	161919*
Locking nut	M 20	2.5 mm	22 mm	30 mm	10	161923*
Locking nut	M 24	3 mm	26.4 mm	36 mm	5	161924*

* = The delivery time is 30 days

AGR: 01.021

DIN 980, shape V, fine thread, steel 10, zinc plated



Characteristics

- Through the narrow nut thread (pitch and diameter) the backup function is generated
Form V = One-piece

Processing Information

- Heat resistant up to 300 °C

Hints

- Risk of hydrogen embrittlement: In galvanic coatings on high strength parts with a tensile strength of 1000 N / mm² (eg FKL 10) and springy Share with hardness of 320 HV, the risk of hydrogen embrittlement (brittle fracture) can not be excluded with certainty - see technical information

DIN 980, shape V, fine thread, steel 10, zinc plated					
Title	Thread	Height nut	Wrench Width	PU Piece	Article No.
Locking nut	M 8 x 1	8 mm	13 mm	100	128158*
Locking nut	M 10 x 1	10 mm	17 mm	100	128159*
Locking nut	M 10 x 1.25	10 mm	17 mm	100	128160*
Locking nut	M 12 x 1.25	12 mm	19 mm	100	128161*
Locking nut	M 12 x 1.5	12 mm	19 mm	100	128162*
Locking nut	M 14 x 1.5	14 mm	22 mm	100	128163*
Locking nut	M 16 x 1.5	16 mm	24 mm	50	128164*
Locking nut	M 18 x 1.5	18 mm	27 mm	50	128165*
Locking nut	M 20 x 1.5	20 mm	30 mm	50	128166*
Locking nut	M 22 x 1.5	22 mm	32 mm	25	128167*
Locking nut	M 24 x 1.5	24 mm	36 mm	25	128168*
Locking nut	M 24 x 2	24 mm	36 mm	25	128169*

* = The delivery time is 10 days

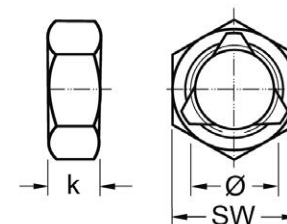
AGR: 01.021

similar DIN 980, stainless steel A2

1

Characteristics

- Through the narrow nut thread (pitch and diameter) the backup function is generated
- Deformed from DIN 934



similar DIN 980, stainless steel A2

Title	Thread	Thread Pitch mm	Height nut	Wrench Width	PU Piece	Article No.
Locking nut	M 4	0.7 mm	3.2 mm	7 mm	200	097298*
Locking nut	M 5	0.8 mm	4 mm	8 mm	200	097299
Locking nut	M 6	1 mm	5 mm	10 mm	200	097300
Locking nut	M 8	1.25 mm	6.5 mm	13 mm	200	097301
Locking nut	M 10	1.5 mm	8 mm	17 mm	100	097302
Locking nut	M 12	1.75 mm	10 mm	19 mm	100	097303*
Locking nut	M 16	2 mm	13 mm	24 mm	50	097304*
Locking nut	M 20	2.5 mm	16 mm	30 mm	50	097305*

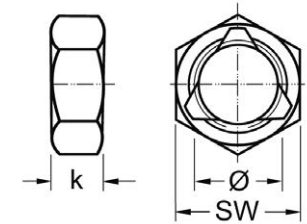
* = The delivery time is 14 days

AGR: 01.029

similar DIN 980, stainless steel A4

Characteristics

- Through the narrow nut thread (pitch and diameter) the backup function is generated
- Deformed from DIN 934



1



similar DIN 980, stainless steel A4

Title	Thread	Thread Pitch mm	Height nut	Wrench Width	PU Piece	Article No.
Locking nut	M 4	0.7 mm	3.2 mm	7 mm	200	097307*
Locking nut	M 5	0.8 mm	4 mm	8 mm	200	097308*
Locking nut	M 6	1 mm	5 mm	10 mm	200	097309*
Locking nut	M 8	1.25 mm	6.5 mm	13 mm	200	097310*
Locking nut	M 10	1.5 mm	8 mm	17 mm	100	097311*
Locking nut	M 12	1.75 mm	10 mm	19 mm	100	097312*
Locking nut	M 16	2 mm	13 mm	24 mm	50	097313*
Locking nut	M 20	2.5 mm	16 mm	30 mm	50	097314*

* = The delivery time is 14 days

AGR: 01.029

1

DIN 982, steel 8, zinc plated

Characteristics

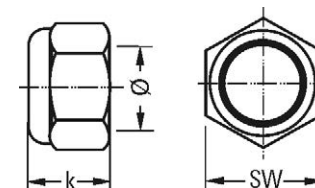
- Through the plastic ring, the thread of the screw and nut jammed, causing the fuse function is generated high dimensional

Processing Information

- For operating temperature from -50 to +120 ° C

Hints

- ~ ISO 7040
DIN-ISO Differences see table
- Ø M4, M6a nd M8 are supplied according to DIN 982 bzw. ISO 7040 (norms are identical for these dimensions)
- ISO 7040 is exchangeable with DIN 6924



DIN 982, steel 8, zinc plated

Title	Thread	Thread Pitch mm	Height nut	Wrench Width	PU Piece	Article No.
Locking nut	M 4	0.7 mm	6 mm	7 mm	100	128259
Locking nut	M 5	0.8 mm	6.3 mm	8 mm	100	128261
Locking nut	M 6	1 mm	8 mm	10 mm	100	109510
Locking nut	M 8	1.25 mm	9.5 mm	13 mm	100	109511
Locking nut	M 10	1.5 mm	11.5 mm	17 mm	100	109512
Locking nut	M 12	1.75 mm	14 mm	19 mm	100	109513
Locking nut	M 14	2 mm	16 mm	22 mm	100	128262
Locking nut	M 16	2 mm	18 mm	24 mm	50	109514
Locking nut	M 20	2.5 mm	22 mm	30 mm	50	109515
Locking nut	M 24	3 mm	28 mm	36 mm	25	109516

AGR: 01.023

INTERNAL/Approved (2019-03-22 14:04:10)

DIN 982, steel 10, zinc plated

Characteristics

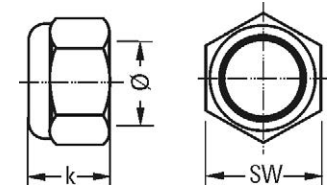
- Through the plastic ring, the thread of the screw and nut jammed, causing the fuse function is generated
- high dimensional

Processing Information

- For operating temperature from -50 to +120 ° C

Hints

- Risk of hydrogen embrittlement: In galvanic coatings on high strength parts with a tensile strength of 1000 N / mm² (eg FKL 10) and springy Share with hardness of 320 HV, the risk of hydrogen embrittlement (brittle fracture) can not be excluded with certainty - see technical information

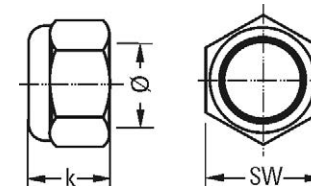

1

DIN 982, steel 10, zinc plated						
Title	Thread	Thread Pitch mm	Height nut	Wrench Width	PU Piece	Article No.
Locking nut	M 10	1.5 mm	11.5 mm	17 mm	100	128263*
Locking nut	M 12	1.75 mm	14 mm	19 mm	100	128264*
Locking nut	M 16	2 mm	18 mm	24 mm	50	128265*
Locking nut	M 20	2.5 mm	22 mm	30 mm	50	128266*
Locking nut	M 24	3 mm	28 mm	36 mm	25	128267*

* = The delivery time is 30 days

AGR: 01.023

DIN 982, fine thread, steel 10, zinc plated



1

Characteristics

- Through the plastic ring, the thread of the screw and nut jammed, causing the fuse function is generated
- high dimensional

Processing Information

- For operating temperature from -50 to +120 ° C

Hints

- Risk of hydrogen embrittlement: In galvanic coatings on high strength parts with a tensile strength of 1000 N / mm² (eg FKL 10) and springy Share with hardness of 320 HV, the risk of hydrogen embrittlement (brittle fracture) can not be excluded with certainty - see technical information

DIN 982, fine thread, steel 10, zinc plated					
Title	Thread	Height nut	Wrench Width	PU Piece	Article No.
Locking nut	M 10 x 1	11.5 mm	17 mm	100	128268*
Locking nut	M 12 x 1.5	14 mm	19 mm	100	128269*
Locking nut	M 14 x 1.5	16 mm	22 mm	100	128270*
Locking nut	M 16 x 1.5	18 mm	24 mm	50	128271*
Locking nut	M 20 x 1.5	22 mm	30 mm	25	107192*
Locking nut	M 24 x 2	28 mm	36 mm	25	128273*

* = The delivery time is 30 days
 AGR: 01.023

INTERNAL/Approved (2019-03-22 14:04:27)

DIN 982, stainless steel A2

- High performance

Characteristics

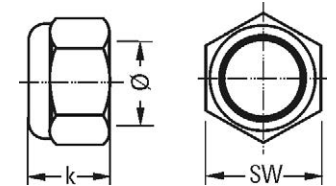
- Tall shape
- Due to the plastic ring, the threads of the screw and nut get jammed, whereby the safety function is generated

Processing Information

- For temperatures from -50 to +120 °C

Hints

- ~ ISO 7042
For DIN-ISO differences look at the table
- Ø M6 and M8 are delivered in accordance to DIN 982 or ISO 7040 (the norms are the same for these dimensions)
- ISO 7040 is interchangeable with DIN 6924



DIN 982, stainless steel A2

Title	Thread	Thread Pitch mm	Height nut	Wrench Width	PU Piece	Article No.
Locking nut	M 5	0.8 mm	6.3 mm	8 mm	200	097315
Locking nut	M 6	1 mm	8 mm	10 mm	200	097316
Locking nut	M 8	1.25 mm	9.5 mm	13 mm	200	097317
Locking nut	M 10	1.5 mm	11.5 mm	17 mm	100	097318
Locking nut	M 12	1.75 mm	14 mm	19 mm	50	097319
Locking nut	M 14	2 mm	16 mm	22 mm	50	097320
Locking nut	M 16	2 mm	18 mm	24 mm	50	097321
Locking nut	M 20	2.5 mm	22 mm	30 mm	25	097323
Locking nut	M 24	3 mm	28 mm	36 mm	10	097324*

* = The delivery time is 14 days

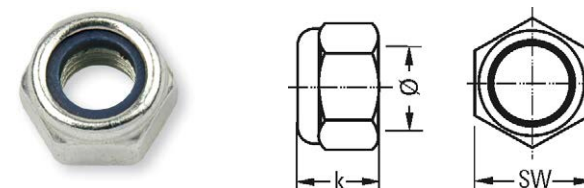
AGR: 01.029

1

DIN 985, steel 8, zinc plated

Characteristics

- Low shape
- The friction is generated by a plastic ring which is pressed into the metal housing



Processing Information

- For temperatures from -50 to +120 °C

DIN 985, steel 8, zinc plated							
Title	Thread	Thread Pitch mm	Height nut	Wrench Width	PU Piece	Article No.	
Locking nut	M 2.5	0.45 mm	3.5 mm	5 mm	1000	128170*	
Locking nut	M 3	0.5 mm	4 mm	5.5 mm	100	006416	
Locking nut	M 4	0.7 mm	5 mm	7 mm	100/500	006424	
Locking nut	M 5	0.8 mm	5 mm	8 mm	100/500	006432	
Locking nut	M 6	1 mm	6 mm	10 mm	100/500	006440	
Locking nut	M 7	1 mm	7.5 mm	11 mm	100	006459	
Locking nut	M 8	1.25 mm	8 mm	13 mm	100/500	006467	
Locking nut	M 10	1.5 mm	10 mm	17 mm	100/500	006475	
Locking nut	M 12	1.75 mm	12 mm	19 mm	100	006483	
Locking nut	M 14	2 mm	14 mm	22 mm	100	006491	
Locking nut	M 16	2 mm	16 mm	24 mm	50	006505	
Locking nut	M 18	2.5 mm	18.5 mm	27 mm	25	006513	
Locking nut	M 20	2.5 mm	20 mm	30 mm	25	006521	
Locking nut	M 22	2.5 mm	22 mm	32 mm	10	006530	
Locking nut	M 24	3 mm	24 mm	36 mm	10	006548	
Locking nut	M 27	3 mm	27 mm	41 mm	10	408620*	
Locking nut	M 30	3.5 mm	30 mm	46 mm	10	408638	
Locking nut	M 33	3.5 mm	33 mm	50 mm	10	063250*	
Locking nut	M 36	4 mm	36 mm	55 mm	10	063251*	
Locking nut	M 39	4 mm	39 mm	60 mm	1	128171*	
Locking nut	M 42	4.5 mm	42 mm	65 mm	1	128172*	
Locking nut	M 45	4.5 mm	45 mm	70 mm	1	128173*	
Locking nut	M 48	5 mm	48 mm	75 mm	1	128174*	

INTERNAL/Approved (2019-03-22 14:04:39)

* = The delivery time is 10 days

AGR: 01.025

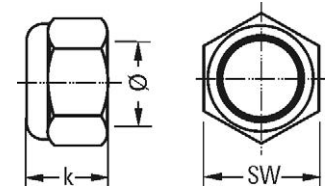
DIN 985, fine thread, steel 8, zinc plated

Characteristics

- Low form
- The friction is generated by a plastic ring which is pressed into the metal housing

Processing Information

- For temperatures from -50 to +120 °C



DIN 985, fine thread, steel 8, zinc plated					
Title	Thread	Height nut	Wrench Width	PU Piece	Article No.
Locking nut	M 8 x 1	8 mm	13 mm	100	006270
Locking nut	M 10 x 1	10 mm	17 mm	100	006289
Locking nut	M 10 x 1.25	10 mm	17 mm	100	006360
Locking nut	M 12 x 1	12 mm	19 mm	100	006394
Locking nut	M 12 x 1.25	12 mm	19 mm	100	006378
Locking nut	M 12 x 1.5	12 mm	19 mm	100	006297
Locking nut	M 14 x 1.5	14 mm	22 mm	50	006300
Locking nut	M 16 x 1.5	16 mm	24 mm	50	006319
Locking nut	M 18 x 1.5	18.5 mm	27 mm	25	006327
Locking nut	M 18 x 2	18.5 mm	27 mm	50	063324*
Locking nut	M 20 x 1.5	20 mm	30 mm	25	006335
Locking nut	M 20 x 2	20 mm	30 mm	25	128175*
Locking nut	M 22 x 1.5	22 mm	32 mm	10	006343
Locking nut	M 22 x 2	22 mm	32 mm	25	063326*
Locking nut	M 24 x 1.5	24 mm	36 mm	10	006351
Locking nut	M 24 x 2	24 mm	36 mm	25	044343*
Locking nut	M 27 x 2	27 mm	41 mm	10	063328*
Locking nut	M 30 x 1.5	30 mm	46 mm	10	063329*
Locking nut	M 30 x 2	30 mm	46 mm	10	063330*
Locking nut	M 33 x 2	33 mm	50 mm	1	063331*
Locking nut	M 36 x 3	36 mm	55 mm	1	128176*
Locking nut	M 39 x 3	39 mm	60 mm	1	128177*

INTERNAL/Approved (2019-03-22 14:04:53)

1

DIN 985, fine thread, steel 8, zinc plated

Title	Thread	Height nut	Wrench Width	PU Piece	Article No.
Locking nut	M 42 x 3	42 mm	65 mm	1	128178*
Locking nut	M 45 x 3	45 mm	70 mm	1	128179*
Locking nut	M 48 x 3	48 mm	75 mm	1	128180*

* = The delivery time is 10 days

AGR: 01.025

DIN 985, steel 10, zinc plated

Characteristics

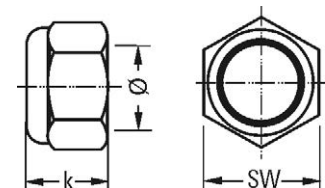
- Low shape
- The friction is generated by a plastic ring which is pressed into the metal housing

Processing Information

- For temperatures from -50 to +120 °C

Hints

- Risk of hydrogen embrittlement: at galvanic coatings on high-strength parts with a tensile strength from 1000 N/mm² (e. g. FKL 10) and spring-hard parts with a hardness from 320 HV, the risk of hydrogen embrittlement (brittle fracture) can not be excluded with certainty - see technical information



DIN 985, steel 10, zinc plated

Title	Thread	Thread Pitch mm	Height nut	Wrench Width	PU Piece	Article No.
Locking nut	M 6	1 mm	6 mm	10 mm	100	006165
Locking nut	M 8	1.25 mm	8 mm	13 mm	100	006173
Locking nut	M 10	1.5 mm	10 mm	17 mm	100	006181
Locking nut	M 12	1.75 mm	12 mm	19 mm	100	006203
Locking nut	M 14	2 mm	14 mm	22 mm	50	006211
Locking nut	M 16	2 mm	16 mm	24 mm	50	006262
Locking nut	M 18	2.5 mm	18.5 mm	27 mm	25	006254
Locking nut	M 20	2.5 mm	20 mm	30 mm	25	408743
Locking nut	M 22	2.5 mm	22 mm	32 mm	25	408760*
Locking nut	M 24	3 mm	24 mm	36 mm	10	408786

INTERNAL/Approved (2019-03-22 14:05:18)

DIN 985, steel 10, zinc plated						
Title	Thread	Thread Pitch mm	Height nut	Wrench Width	PU Piece	Article No.
Locking nut	M 27	3 mm	27 mm	41 mm	25	408808*
Locking nut	M 30	3.5 mm	30 mm	46 mm	10	408816*
Locking nut	M 36	4 mm	36 mm	55 mm	1	128181*

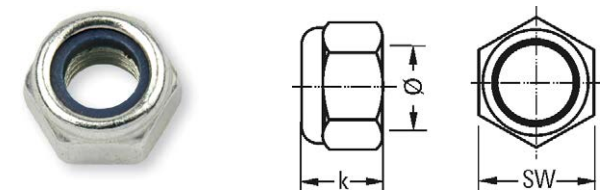
* = The delivery time is 10 days

AGR: 01.026

DIN 985, fine thread, steel 10, zinc plated

Characteristics

- Low form
- The friction is generated by a plastic ring which is pressed into the metal housing



Processing Information

- For temperatures from -50 to +120 °C

Hints

- Risk of hydrogen embrittlement: at galvanic coatings on high-strength parts with a tensile strength from 1000 N/mm² (e. g. FKL 10) and spring-hard parts with a hardness from 320 HV, the risk of hydrogen embrittlement (brittle fracture) can not be excluded with certainty - see technical information

DIN 985, fine thread, steel 10, zinc plated						
Title	Thread	Height nut	Wrench Width	PU Piece	Article No.	
Locking nut	M 8 x 1	8 mm	13 mm	100	128182*	
Locking nut	M 10 x 1	10 mm	17 mm	100	006190*	
Locking nut	M 10 x 1.25	10 mm	17 mm	100	128183*	
Locking nut	M 12 x 1	12 mm	19 mm	100	128184*	
Locking nut	M 12 x 1.25	12 mm	19 mm	100	128185*	
Locking nut	M 12 x 1.5	12 mm	19 mm	100	006238*	
Locking nut	M 14 x 1.5	14 mm	22 mm	50	006220*	
Locking nut	M 16 x 1.5	16 mm	24 mm	100	006246*	
Locking nut	M 18 x 1.5	18.5 mm	27 mm	25	408735*	
Locking nut	M 20 x 1.5	20 mm	30 mm	25	408751*	

INTERNAL/Approved (2019-03-22 14:05:31)

1

DIN 985, fine thread, steel 10, zinc plated

Title	Thread	Height nut	Wrench Width	PU Piece	Article No.
Locking nut	M 22 x 1.5	22 mm	32 mm	25	408778*
Locking nut	M 24 x 1.5	24 mm	36 mm	10	408794*
Locking nut	M 24 x 2	24 mm	36 mm	25	128186*
Locking nut	M 30 x 2	30 mm	46 mm	10	128187*

* = The delivery time is 10 days

AGR: 01.026

DIN 985, fine thread, steel 10, yellow zinc plated

Characteristics

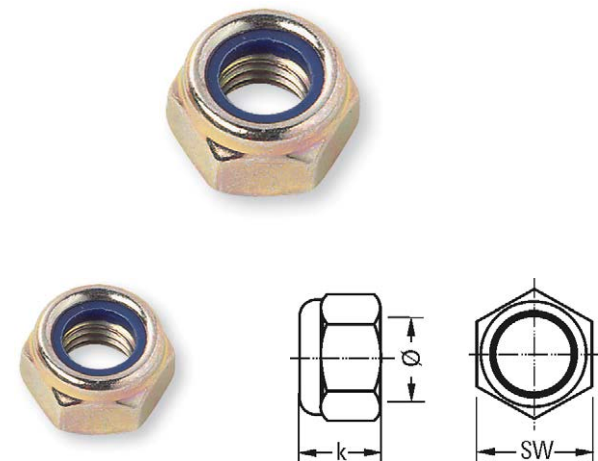
- Through the plastic ring, the thread of the screw and nut jammed, causing the fuse function is generated
- low form

Processing Information

- For operating temperature from -50 to +120 ° C

Hints

- Risk of hydrogen embrittlement: In galvanic coatings on high strength parts with a tensile strength of 1000 N / mm² (eg FKL 10) and springy Share with hardness of 320 HV, the risk of hydrogen embrittlement (brittle fracture) can not be excluded with certainty - see technical information



DIN 985, fine thread, steel 10, yellow zinc plated

Title	Thread	Height nut	Wrench Width	PU Piece	Article No.
Locking nut	M 16 x 1.5	16 mm	24 mm	50	297461*

* = The delivery time is 30 days

AGR: 01.026

DIN 985, stainless steel A2

Characteristics

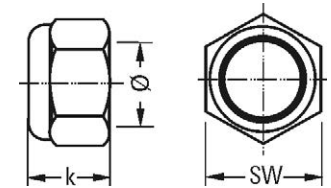
- Low shape



- The friction is generated by a plastic ring which is pressed into the metal housing

Processing Information

- For temperatures from -50 to +120 °C



1



DIN 985, stainless steel A2							
Title	Thread	Thread Pitch mm	Height nut	Wrench Width	PU Piece	Article No.	
Locking nut	M 3	0.5 mm	4 mm	5.5 mm	500	356417*	
Locking nut	M 4	0.7 mm	5 mm	7 mm	200	356425	
Locking nut	M 5	0.8 mm	5 mm	8 mm	200	356433	
Locking nut	M 6	1 mm	6 mm	10 mm	200	356441	
Locking nut	M 8	1.25 mm	8 mm	13 mm	200	356450	
Locking nut	M 10	1.5 mm	10 mm	17 mm	100	356468	
Locking nut	M 12	1.75 mm	12 mm	19 mm	100	356476	
Locking nut	M 14	2 mm	14 mm	22 mm	200	020924	
Locking nut	M 16	2 mm	16 mm	24 mm	50	356484	
Locking nut	M 18	2.5 mm	18.5 mm	27 mm	50	157701*	
Locking nut	M 20	2.5 mm	20 mm	30 mm	50	103720	
Locking nut	M 22	2.5 mm	22 mm	32 mm	25	097325*	
Locking nut	M 24	3 mm	24 mm	36 mm	25	015057*	
Locking nut	M 30	3.5 mm	30 mm	46 mm	25	097326*	

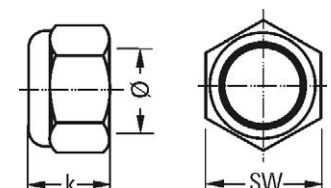
* = The delivery time is 14 days

AGR: 01.027

DIN 985, stainless steel A4

Characteristics

- Low shape
- The friction is generated by a plastic ring which is pressed into the metal housing



INTERNAL/Approved (2019-03-22 14:05:52)

Processing Information

- For temperatures from -50 to +120 °C



DIN 985, stainless steel A4

Title	Thread	Thread Pitch mm	Height nut	Wrench Width	PU Piece	Article No.
Locking nut	M 3	0.5 mm	4 mm	5.5 mm	500	157702*
Locking nut	M 4	0.7 mm	5 mm	7 mm	500	555126
Locking nut	M 5	0.8 mm	5 mm	8 mm	100	555134
Locking nut	M 6	1 mm	6 mm	10 mm	100	555142
Locking nut	M 8	1.25 mm	8 mm	13 mm	100	555150
Locking nut	M 10	1.5 mm	10 mm	17 mm	100	555169
Locking nut	M 12	1.75 mm	12 mm	19 mm	50	555177
Locking nut	M 14	2 mm	14 mm	22 mm	200	031898*
Locking nut	M 16	2 mm	16 mm	24 mm	100	031899*
Locking nut	M 18	2.5 mm	18.5 mm	27 mm	50	157720*
Locking nut	M 20	2.5 mm	20 mm	30 mm	50	018879*
Locking nut	M 22	2.5 mm	22 mm	32 mm	25	097327*
Locking nut	M 24	3 mm	24 mm	36 mm	25	018880*
Locking nut	M 27	3 mm	27 mm	41 mm	25	097328*
Locking nut	M 30	3.5 mm	30 mm	46 mm	25	018881*

* = The delivery time is 14 days

AGR: 01.027

similar DIN 985, UNF thread, steel 8, yellow zinc plated

Characteristics

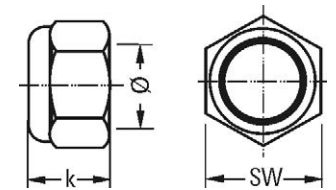
- Through the plastic ring, the thread of the screw and nut jammed, causing the fuse function is generated low form

Processing Information

- For operating temperature from -50 to +120°C

Hints

- American Fine Thread
- Art.No. 6688 (1/4") is similar to DIN 982



1

similar DIN 985, UNF thread, steel 8, yellow zinc plated

Title	Thread	Height nut	Wrench	PU Piece	Article No.
Inch locking nut	UNF 3/8	11.5 mm	9/16 "	100	006700*

* = The delivery time is 30 days

AGR: 01.031

1

DIN 935-1, steel 8, zinc plated

Application Area

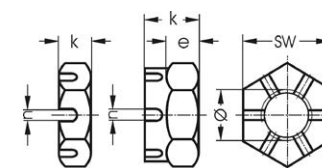
- Vehicle axles
- Drive shafts

Processing Information

- In the screw or threaded bolt, which should be processed, a cross hole must be available in order to secure the nut against twisting by a pushed-through splint

Hints

- Width of the clearance = n
Height of the clearance = e



until M10 / from M12

DIN 935-1, steel 8, zinc plated

Title	Thread	Thread Pitch mm	Height nut	Wrench Width	Width gap	Height gap	PU Piece	Article No.
Castellated nut	M 8	1.25 mm	9.5 mm	13 mm	2.5 mm	6.5 mm	100	128247*
Castellated nut	M 10	1.5 mm	12 mm	17 mm	2.8 mm	8 mm	100	128248*
Castellated nut	M 12	1.75 mm	15 mm	19 mm	3.5 mm	10 mm	100	128249*
Castellated nut	M 16	2 mm	19 mm	24 mm	4.5 mm	13 mm	50	128250*
Castellated nut	M 20	2.5 mm	22 mm	30 mm	4.5 mm	16 mm	25	128251*
Castellated nut	M 24	3 mm	27 mm	36 mm	5.5 mm	19 mm	25	128253*
Castellated nut	M 30	3.5 mm	33 mm	46 mm	7 mm	24 mm	10	128254*
Castellated nut	M 36	4 mm	38 mm	55 mm	7 mm	29 mm	1	128255*
Castellated nut	M 39	4 mm	40 mm	60 mm	7 mm	31 mm	1	128256*
Castellated nut	M 42	4.5 mm	46 mm	65 mm	9 mm	34 mm	1	128257*
Castellated nut	M 48	5 mm	50 mm	75 mm	9 mm	38 mm	1	128258*

* = The delivery time is 30 days

AGR: 01.012

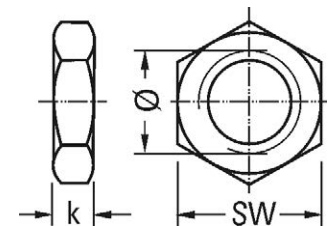
DIN 936, steel 04/17H, zinc plated

Characteristics

- Up to and including Ø M 18 = Steel 04
- From Ø M 20 = Steel 17H
- Low Form with chamfer

Hints

- Replaced through DIN 439-2 / ISO 4035



1

DIN 936, steel 04/17H, zinc plated

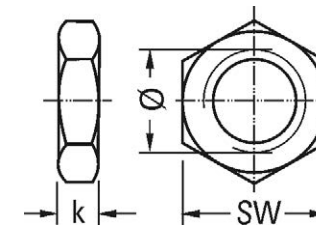
Title	Thread	Thread Pitch mm	Height nut	Wrench Width	PU Piece	Article No.
Hexagon nut	M 8	1.25 mm	5 mm	13 mm	100	128104*
Hexagon nut	M 10	1.5 mm	6 mm	17 mm	100	128105*
Hexagon nut	M 12	1.75 mm	7 mm	19 mm	100	128106*
Hexagon nut	M 14	2 mm	8 mm	22 mm	100	128107*
Hexagon nut	M 16	2 mm	8 mm	24 mm	100	128108*
Hexagon nut	M 20	2.5 mm	9 mm	30 mm	50	128110*
Hexagon nut	M 24	3 mm	10 mm	36 mm	50	128112*
Hexagon nut	M 27	3 mm	12 mm	41 mm	25	128113*
Hexagon nut	M 30	3.5 mm	12 mm	46 mm	25	128114*
Hexagon nut	M 36	4 mm	14 mm	55 mm	10	128115*

* = The delivery time is 30 days

AGR: 01.007

INTERNAL/Approved (2019-03-22 14:06:33)

DIN 936, steel 04/17H, yellow zinc plated



Characteristics

- Up to and including Ø M 18 = Steel 04
- From Ø M 20 = Steel 17H
- Low Form with chamfer

Hints

- Replaced through DIN 439-2 / ISO 4035

DIN 936, steel 04/17H, yellow zinc plated

Title	Thread	Thread Pitch mm	Height nut	Wrench Width	PU Piece	Article No.
Hexagon nut	M 12	1.75 mm	7 mm	19 mm	100	005606*
Hexagon nut	M 18	2.5 mm	9 mm	27 mm	50	005630*
Hexagon nut	M 20	2.5 mm	9 mm	30 mm	50	005649*
Hexagon nut	M 24	3 mm	10 mm	36 mm	10	005665*

* = The delivery time is 30 days

AGR: 01.007

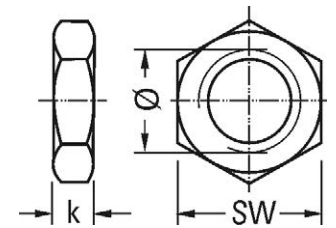
DIN 936, fine thread, steel 04/17H, zinc plated

Characteristics

- Up to and including Ø M 18 = Steel 04
- From Ø M 20 = Steel 17H
- Low Form with chamfer

Hints

- Replaced through DIN 439-2 / ISO 8675



1

DIN 936, fine thread, steel 04/17H, zinc plated

Title	Thread	Height nut	Wrench Width	PU Piece	Article No.
Hexagon nut	M 8 x 1	5 mm	13 mm	100	128116*
Hexagon nut	M 10 x 1	6 mm	17 mm	100	128117*
Hexagon nut	M 12 x 1.5	7 mm	19 mm	100	128118*
Hexagon nut	M 14 x 1.5	8 mm	22 mm	100	128119*
Hexagon nut	M 16 x 1.5	8 mm	24 mm	100	128120*
Hexagon nut	M 18 x 1.5	9 mm	27 mm	100	128121*
Hexagon nut	M 20 x 1.5	9 mm	30 mm	50	128122*
Hexagon nut	M 22 x 1.5	10 mm	32 mm	50	128123*
Hexagon nut	M 24 x 1.5	10 mm	36 mm	50	128124*
Hexagon nut	M 24 x 2	10 mm	36 mm	50	128125*
Hexagon nut	M 27 x 1.5	12 mm	41 mm	25	128126*
Hexagon nut	M 27 x 2	12 mm	41 mm	25	128127*
Hexagon nut	M 30 x 1.5	12 mm	46 mm	25	128128*
Hexagon nut	M 30 x 2	12 mm	46 mm	25	128129*
Hexagon nut	M 33 x 1.5	14 mm	50 mm	25	128130*
Hexagon nut	M 36 x 1.5	14 mm	55 mm	10	128131*

* = The delivery time is 10 days

AGR: 01.007

INTERNAL/Approved (2019-03-22 14:06:50)

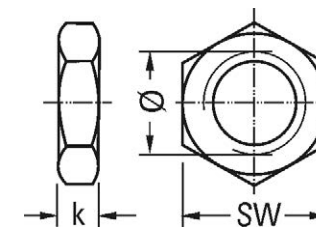
1 DIN 936, fine thread, steel 04/17H, yellow zinc plated

Characteristics

- Up to and including Ø M 18 = Steel 04
- From Ø M 20 = Steel 17H
- Low Form with chamfer

Hints

- Replaced through DIN 439-2 / ISO 8675



DIN 936, fine thread, steel 04/17H, yellow zinc plated

Title	Thread	Height nut	Wrench Width	PU Piece	Article No.
Hexagon nut	M 12 x 1	7 mm	19 mm	100	005690*
Hexagon nut	M 14 x 1.5	8 mm	22 mm	50	005711*
Hexagon nut	M 16 x 1.5	8 mm	24 mm	50	005720*
Hexagon nut	M 18 x 1.5	9 mm	27 mm	50	005738*
Hexagon nut	M 20 x 1.5	9 mm	30 mm	50	005746*

* = The delivery time is 30 days

AGR: 01.007

DIN 937, steel 17H, zinc plated

Application Area

- Vehicle axles
- Drive shafts

Characteristics

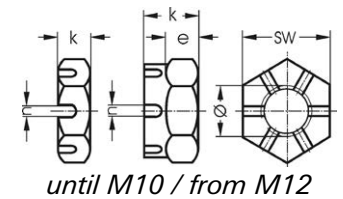
- Low shape

Processing Information

- In the screw or threaded bolt, which should be processed, a cross hole must be available in order to secure the nut against twisting by a pushed-through splint

Hints

- Width of the clearance = n
- height of the clearance = e
- ~ DIN 979
- Changes in DIN 979: new ISO widths (SW) and ISO heights (k)



1

DIN 937, steel 17H, zinc plated								
Title	Thread	Thread Pitch mm	Height nut	Wrench Width	Width gap	Height gap	PU Piece	Article No.
Castellated nut	M 8	1.25 mm	8 mm	13 mm	2.5 mm	-	100	045027*
Castellated nut	M 10	1.5 mm	9 mm	17 mm	2.8 mm	-	100	045028*
Castellated nut	M 12	1.75 mm	10 mm	19 mm	3.5 mm	6 mm	100	045029*
Castellated nut	M 14	2 mm	11 mm	22 mm	3.5 mm	7 mm	50	045030*
Castellated nut	M 16	2 mm	12 mm	24 mm	4.5 mm	7 mm	50	045031*
Castellated nut	M 18	2.5 mm	13 mm	27 mm	4.5 mm	8 mm	25	045032*
Castellated nut	M 20	2.5 mm	13 mm	30 mm	4.5 mm	8 mm	25	045033*

* = The delivery time is 30 days

AGR: 01.012

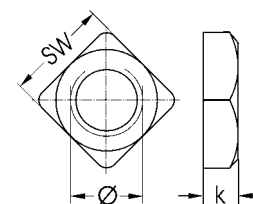
INTERNAL/Approved (2019-03-22 14:07:00)

1

DIN 557, stainless steel A2

Application Area

- Connections from and to assembly rail of photovoltaic systems



DIN 557, stainless steel A2

Title	Thread	Thread Pitch mm	Height nut	Wrench Width	PU Piece	Article No.
Square nut	M 5	0.8 mm	4 mm	8 mm	200	097261*
Square nut	M 6	1 mm	5 mm	10 mm	200	097262*
Square nut	M 8	1.25 mm	6.5 mm	13 mm	200	022612*
Square nut	M 10	1.5 mm	8 mm	17 mm	100	022613*
Square nut	M 12	1.75 mm	10 mm	19 mm	100	022614*

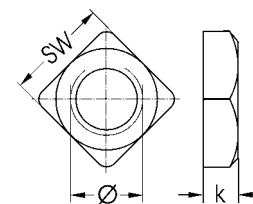
* = The delivery time is 14 days

AGR: 01.119

DIN 557, stainless steel A4

Application Area

- Connections of and on mounting rails for photovoltaic systems



DIN 557, stainless steel A4

Title	Thread	Thread Pitch mm	Height nut	Wrench Width	PU Piece	Article No.
Square nut	M 8	1.25 mm	6.5 mm	13 mm	200	097263*
Square nut	M 10	1.5 mm	8 mm	17 mm	100	097264*
Square nut	M 12	1.75 mm	10 mm	19 mm	100	097265*

* = The delivery time is 14 days

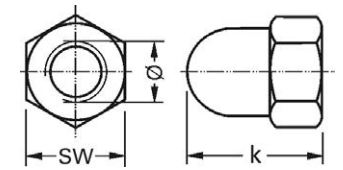
AGR: 01.119

INTERNAL/Approved (2019-03-22 14:07:04)

DIN 1587, steel 6, zinc plated

Characteristics

- High shape


1

DIN 1587, steel 6, zinc plated						
Title	Thread	Thread Pitch mm	Height nut	Wrench Width	PU Piece	Article No.
Hexagon cap nut	M 3	0.5 mm	6 mm	5.5 mm	100	128188*
Hexagon cap nut	M 4	0.7 mm	8 mm	7 mm	100	002550
Hexagon cap nut	M 5	0.8 mm	10 mm	8 mm	100	002569
Hexagon cap nut	M 6	1 mm	12 mm	10 mm	100	002577
Hexagon cap nut	M 8	1.25 mm	15 mm	13 mm	100	002585
Hexagon cap nut	M 10	1.5 mm	18 mm	17 mm	50	002593
Hexagon cap nut	M 12	1.75 mm	22 mm	19 mm	50	002607
Hexagon cap nut	M 14	2 mm	25 mm	22 mm	25	002615
Hexagon cap nut	M 16	2 mm	28 mm	24 mm	50	002623
Hexagon cap nut	M 20	2.5 mm	34 mm	30 mm	50	124205
Hexagon cap nut	M 20	2.5 mm	34 mm	30 mm	50	092377
Hexagon cap nut	M 24	3 mm	42 mm	36 mm	10	128189*
Hexagon cap nut	M 30	3.5 mm	52 mm	46 mm	10	128190*

* = The delivery time is 30 days

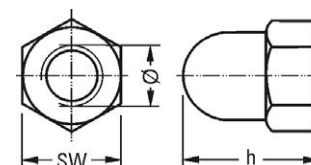
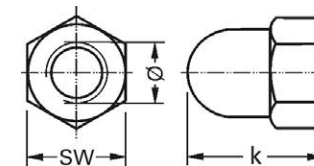
AGR: 01.016

INTERNAL/Approved (2019-03-22 14:07:13)

DIN 1587, stainless steel A2

Characteristics

- High Form



DIN 1587, stainless steel A2

Title	Thread	Thread Pitch mm	Height nut	Wrench Width	PU Piece	Article No.
Hexagon cap nut	M 3	0.5 mm	7 mm	5.5 mm	500	113523
Hexagon cap nut	M 4	0.7 mm	8 mm	7 mm	100	356344
Hexagon cap nut	M 5	0.8 mm	10 mm	8 mm	100	356352
Hexagon cap nut	M 6	1 mm	12 mm	10 mm	100	356360
Hexagon cap nut	M 8	1.25 mm	15 mm	13 mm	100	356379
Hexagon cap nut	M 10	1.5 mm	18 mm	17 mm	50	356387
Hexagon cap nut	M 12	1.75 mm	22 mm	19 mm	50	356395
Hexagon cap nut	M 14	2 mm	25 mm	22 mm	50	101952
Hexagon cap nut	M 16	2 mm	28 mm	24 mm	50	356409
Hexagon cap nut	M 18	2.5 mm	32 mm	27 mm	25	097329*
Hexagon cap nut	M 20	2.5 mm	34 mm	30 mm	10	101954
Hexagon cap nut	M 24	3 mm	42 mm	36 mm	10	015147*

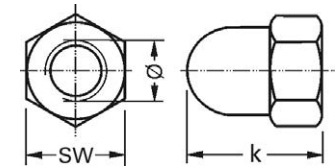
* = The delivery time is 14 days

AGR: 01.017

DIN 1587, stainless steel A4

Characteristics

- High Form



1



DIN 1587, stainless steel A4

Title	Thread	Thread Pitch mm	Height nut	Wrench Width	PU Piece	Article No.
Hexagon cup nut	M 4	0.7 mm	8 mm	7 mm	500	064000
Hexagon cup nut	M 5	0.8 mm	10 mm	8 mm	500	064001
Hexagon cup nut	M 6	1 mm	12 mm	10 mm	100	001247
Hexagon cup nut	M 8	1.25 mm	15 mm	13 mm	50	001248
Hexagon cup nut	M 10	1.5 mm	18 mm	17 mm	50	001249
Hexagon cup nut	M 12	1.75 mm	22 mm	19 mm	50	001250
Hexagon cup nut	M 14	2 mm	25 mm	22 mm	25	001251
Hexagon cup nut	M 16	2 mm	28 mm	24 mm	50	001253*
Hexagon cup nut	M 20	2.5 mm	34 mm	30 mm	25	001254*
Hexagon cup nut	M 24	3 mm	42 mm	36 mm	10	034428*

* = The delivery time is 14 days

AGR: 01.017

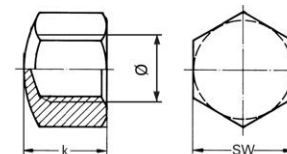
INTERNAL/Approved (2019-03-22 14:07:39)

1

DIN 917, steel 6, zinc plated

Characteristics

- Low Form



DIN 917, steel 6, zinc plated						
Title	Thread	Thread Pitch mm	Height nut	Wrench Width	PU Piece	Article No.
Hexagon cap nut	M 4	0.7 mm	5.5 mm	7 mm	100	128224*
Hexagon cap nut	M 5	0.8 mm	7 mm	8 mm	100	128225*
Hexagon cap nut	M 6	1 mm	9 mm	10 mm	100	128226*
Hexagon cap nut	M 8	1.25 mm	12 mm	13 mm	100	128227*
Hexagon cap nut	M 10	1.5 mm	14 mm	17 mm	100	128228*
Hexagon cap nut	M 12	1.75 mm	16 mm	19 mm	100	128229*
Hexagon cap nut	M 14	2 mm	18 mm	22 mm	50	128230*
Hexagon cap nut	M 16	2 mm	20 mm	24 mm	50	128231*
Hexagon cap nut	M 20	2.5 mm	25 mm	30 mm	25	128232*
Hexagon cap nut	M 24	3 mm	30 mm	36 mm	10	128233*
Hexagon cap nut	M 30	3.5 mm	34 mm	46 mm	1	128234*
Hexagon cap nut	M 36	4 mm	44 mm	55 mm	1	128235*

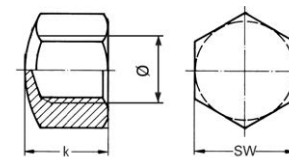
* = The delivery time is 30 days

AGR: 01.016

DIN 917, stainless steel A2

Characteristics

- Low Form



1



DIN 917, stainless steel A2						
Title	Thread	Thread Pitch mm	Height nut	Wrench Width	PU Piece	Article No.
Hexagon cap nut	M 4	0.7 mm	5.5 mm	7 mm	200	097266*
Hexagon cap nut	M 5	0.8 mm	7 mm	8 mm	200	097267
Hexagon cap nut	M 6	1 mm	9 mm	10 mm	200	097269
Hexagon cap nut	M 8	1.25 mm	12 mm	13 mm	200	097270
Hexagon cap nut	M 10	1.5 mm	14 mm	17 mm	100	097271
Hexagon cap nut	M 12	1.75 mm	16 mm	19 mm	100	097272*
Hexagon cap nut	M 16	2 mm	20 mm	24 mm	50	097273*
Hexagon cap nut	M 18	2.5 mm	22 mm	27 mm	50	097274*
Hexagon cap nut	M 20	2.5 mm	25 mm	30 mm	50	097275*

* = The delivery time is 14 days

AGR: 01.017

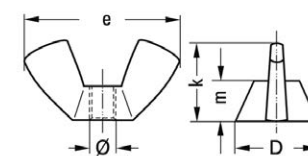
1

similar DIN 315, steel zinc plated

- American model with metric thread grade 4
- Zinc-plated

Characteristics

- Edged wing shape



similar DIN 315, steel zinc plated

Title	Thread	Thread Pitch mm	Height nut	Ø collar	Height collar	Width	PU Piece	Article No.
Wing nut	M 4	0.7 mm	10.3 mm	10.4 mm	4.1 mm	21.5 mm	100	002402
Wing nut	M 5	0.8 mm	10.3 mm	10.4 mm	4.1 mm	21.5 mm	100	002410
Wing nut	M 6	1 mm	12.7 mm	12.1 mm	5 mm	26.3 mm	100	002429
Wing nut	M 8	1.25 mm	15.1 mm	13.8 mm	5.7 mm	30.1 mm	100	002437
Wing nut	M 10	1.5 mm	18.3 mm	17 mm	7.1 mm	34.9 mm	100	002445
Wing nut	M 12	1.75 mm	23.8 mm	22.7 mm	9.4 mm	47.6 mm	50	128074*
Wing nut	M 12	1.75 mm	23.8 mm	22.7 mm	9.4 mm	47.6 mm	50	930231
Wing nut	M 16	2 mm	34.9 mm	29.5 mm	13.5 mm	68.3 mm	20	128076*

* = The delivery time is 30 days

AGR: 01.110

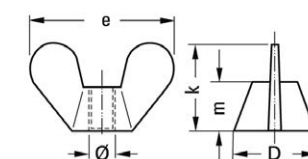
DIN 315, malleable cast iron, zinc plated

Characteristics

- Round wing shape
- Product class: C

Hints

- Art.-No. 128075 (Ø M 14) is not included in this Norm



DIN 315, malleable cast iron, zinc plated

Title	Thread	Thread Pitch mm	Height nut	Ø collar	Height collar	Width	PU Piece	Article No.
Wing nut	M 14	2 mm	32.3 mm	21.5 mm	12 mm	63.5 mm	50	128075*
Wing nut	M 20	2.5 mm	46.5 mm	35 mm	21 mm	90 mm	10	128077*
Wing nut	M 24	3 mm	56.5 mm	44 mm	25 mm	110 mm	5	128078*

* = The delivery time is 10 days

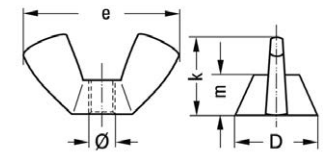
AGR: 01.110

similar DIN 315, stainless steel A2

- American model with metric thread
- Stainless steel finish A2

Characteristics

- Edged wing shape



1



similar DIN 315, stainless steel A2

Title	Thread	Thread Pitch mm	Height nut	Ø collar	Height collar	Width	PU Piece	Article No.
Wing nut	M 3	0.5 mm	8.8 mm	7.8 mm	3 mm	-	500	935037*
Wing nut	M 4	0.7 mm	8.8 mm	7.8 mm	3 mm	-	500	935038*
Wing nut	M 5	0.8 mm	10.5 mm	9.5 mm	4 mm	-	500	935039
Wing nut	M 6	1 mm	12.9 mm	11.9 mm	4.9 mm	26.8 mm	200	935040
Wing nut	M 8	1.25 mm	14.8 mm	13.5 mm	5.4 mm	30.3 mm	100	935041
Wing nut	M 10	1.5 mm	17.3 mm	15.3 mm	6.3 mm	35.3 mm	100	935042
Wing nut	M 12	1.75 mm	22.3 mm	20.5 mm	7.9 mm	-	50	031121
Wing nut	M 16	2 mm	30.8 mm	25 mm	10.6 mm	-	25	097238*

* = The delivery time is 14 days

AGR: 01.111

1

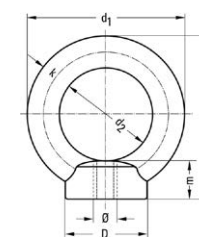
DIN 582, steel C15E, zinc plated

Application Area

- Lifting of loads and components

Hints

- Manufactured according to the new standard of material C15E (that is, the raw material has an aluminum proportion from 0.02 - 0.05%)
- Regulation of minimum breaking loads
- Aluminum proportion in the raw material favors the aging insensitivity of the material
- The dimensions marked with * are not included in the norm



Thread	M 6	M 8	M 10	M 12	M 16
Thread Pitch mm	1 mm	1.25 mm	1.5 mm	1.75 mm	2 mm
Thread	M 20	M 24			
Thread Pitch mm	2.5 mm	3 mm			

DIN 582, steel C15E, zinc plated			
Dimensions	Thread Pitch mm	PU Piece	Article No.
M 6	1 mm	25	045955
M 8	1.25 mm	25	045956
M 10	1.5 mm	25	152819
M 10	1.5 mm	25	801674

DIN 582, steel C15E, zinc plated			
Dimensions	Thread Pitch mm	PU Piece	Article No.
M 12	1.75 mm	25	152820
M 12	1.75 mm	25	801681
M 16	2 mm	25	152822
M 16	2 mm	25	864815

DIN 582, steel C15E, zinc plated			
Dimensions	Thread Pitch mm	PU Piece	Article No.
M 20	2.5 mm	10	152821
M 20	2.5 mm	10	782840
M 24	3 mm	5	045962*

* = The delivery time is 30 days
AGR: 01.115

DIN 14441, with slot, steel 8, copper plated

Application Area

- Protection of exhaust systems on vehicles

Characteristics

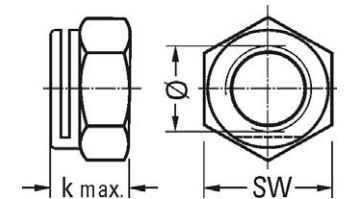
- DIN 14441 = reduced key size (SW)
With security slot

Processing Information

- For operating temperature from -70 to +400 ° C

Hints

- Thermag exhaust locknut
Item No. 2542 (Ø M8) with fine-pitch 1.0 mm



1

DIN 14441, with slot, steel 8, copper plated						
Title	Thread	Thread Pitch mm	Height nut	Wrench Width	PU Piece	Article No.
Exhaust slotted nut	M 6	1 mm	7 mm	9 mm	100	002496
Exhaust slotted nut	M 8	1 mm	8.5 mm	12 mm	100	002542
Exhaust slotted nut	M 8	1.25 mm	8.5 mm	12 mm	100	002500
Exhaust slotted nut	M 10	1.5 mm	10.5 mm	14 mm	100	002518
Exhaust slotted nut	M 12	1.75 mm	12.5 mm	17 mm	100	002534

AGR: 01.028

Exhaust nuts, Steel 8, copper-coated

1 Application Area

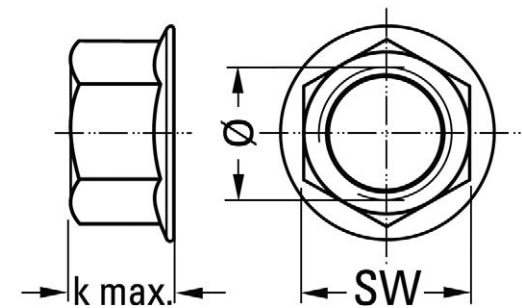
- Protection of exhaust systems for BMW vehicles

Characteristics

- Item No. 284831 (Ø M8) to 1717 (Ø M8) with normal across flats
- Item No. 184110 (Ø M8) and 97818 (Ø M10) with reduced key size

Hints

- Through the narrow nut thread (pitch and diameter) the backup function is generated
- Item No. 284831 (M8x17) and 97818 (M10x21,2) have no backup function



184110



001717



284831



097818

Title	Thread	Thread Pitch mm	Height	Ø collar	Wrench Width	Manufacturer and OEM	PU Piece	Article No.
Exhaust nut	M 8	1.25 mm	8 mm	16.5 mm	12 mm	BMW: 11621711954 Mercedes Benz: A1201420072	100	184110

DIN 14440, with slot, steel 8, copper plated

Application Area

- Securing of exhaust systems in vehicles

Characteristics

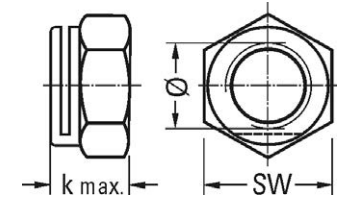
- DIN 14440 = normal across flats (SW)
With security slot

Processing Information

- For operating temperature from -70 to +400 ° C

Hints

- Thermag exhaust locknut



1

DIN 14440, with slot, steel 8, copper plated						
Title	Thread	Thread Pitch mm	Height nut	Wrench Width	PU Piece	Article No.
Exhaust slotted nut	M 8	1.25 mm	8.5 mm	13 mm	100	002461
Exhaust slotted nut	M 10	1.5 mm	10.5 mm	17 mm	100	002470
Exhaust slotted nut	M 12	1.75 mm	12.5 mm	19 mm	100	002488

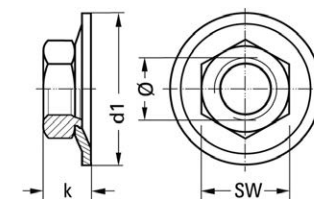
AGR: 01.028

1

Hexagon nuts, with flange, steel 8, zinc plated

Application Area

- Securing of screw connections



Hexagon nuts, with flange, steel 8, zinc plated

Title	Thread	Thread Pitch mm	Height nut	Wrench Width	Ø collar	PU Piece	Article No.
Nut	M 4	0.7 mm	4.96 mm	7 mm	11.88 mm	100	004111
Nut	M 5	0.8 mm	5.73 mm	8 mm	14.82 mm	100	004146
Nut	M 6	1 mm	7.49 mm	10 mm	17.85 mm	100	004120
Nut	M 8	1.25 mm	9.49 mm	13 mm	22.76 mm	100	004138

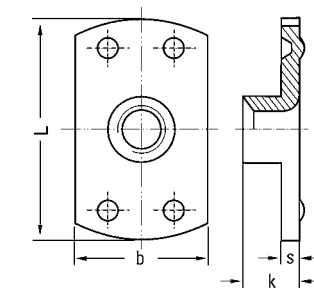
AGR: 01.051

Welding nuts, steel 04, plain

- Metric thread
- Grade 5, black

Characteristics

- At Ø M 4 and M 6 = 2 welding nipples below
- At Ø M 8 and M 10 = 4 welding nipples below



Welding nuts, steel 04, plain

Title	Thread	Thread Pitch mm	Height nut	Width	Length	Thickness	PU Piece	Article No.
Welding nut	M 4	0.7 mm	6 mm	9 mm	17 mm	1 mm	50	002674*
Welding nut	M 6	1 mm	7.8 mm	11 mm	19 mm	1.2 mm	50	002658
Welding nut	M 10	1.5 mm	11 mm	18 mm	26 mm	2 mm	50	002682

* = The delivery time is 14 days

AGR: 01.112

Drive-in nut, steel zinc plated

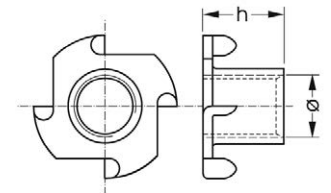
- No impairments due to protruding screw heads or other connection elements
- Tee nut with metric thread 4 prongs zinc-plated
- Suitable for almost all types of wood

Application Area

- For the fixing of metric screws in wood

Processing Information

- Drill a hole and beat the drive-in nut into the hole until it is in a smooth and even way in the material



1

Drive-in nut, steel zinc plated							
Title	Thread	Thread Pitch mm	Height nut	Ø dilling hole	Ø collar	PU Piece	Article No.
Drive-in nut	M 5	0.8 mm	8 mm	6.5 mm	15 mm	100	231371
Drive-in nut	M 6	1 mm	9 mm	7.3 mm	19 mm	100	231401
Drive-in nut	M 8	1.25 mm	11 mm	9.1 mm	22 mm	100	231410
Drive-in nut	M 10	1.5 mm	13 mm	11.9 mm	25.5 mm	100	231487

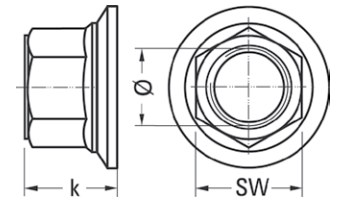
AGR: 01.113

1

similar DIN 74631, fine thread, steel 10, black phosphated

Characteristics

- wheel nut
- Revolving, captive flat collar

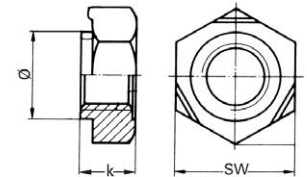


similar DIN 74631, fine thread, steel 10, black phosphated

Title	Thread	Height nut	Wrench Width	PU Piece	Article No.
Wheel nut	M 22 x 1.5	27 mm	32 mm	25	259004

AGR: 01.062

DIN 929, steel 6-8, plain


1

DIN 929, steel 6-8, plain

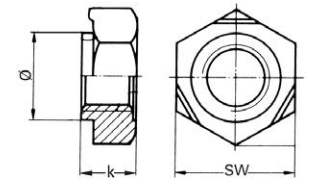
Title	Thread	Thread Pitch mm	Height nut	Wrench Width	PU Piece	Article No.
Hexagon welding nut	M 3	0.5 mm	3 mm	7.5 mm	500	128237*
Hexagon welding nut	M 4	0.7 mm	3.5 mm	9 mm	500	128238*
Hexagon welding nut	M 5	0.8 mm	4 mm	10 mm	500	128239*
Hexagon welding nut	M 6	1 mm	5 mm	11 mm	250	128240*
Hexagon welding nut	M 8	1.25 mm	6.5 mm	14 mm	250	128241*
Hexagon welding nut	M 10	1.5 mm	8 mm	17 mm	100	128242*
Hexagon welding nut	M 12	1.75 mm	10 mm	19 mm	100	128243*
Hexagon welding nut	M 14	2 mm	11 mm	22 mm	100	128245*
Hexagon welding nut	M 16	2 mm	13 mm	24 mm	100	128246*

* = The delivery time is 30 days

AGR: 01.112

DIN 929, stainless steel A2

1

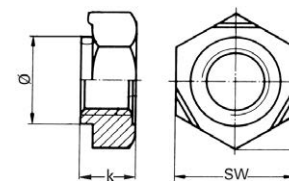


DIN 929, stainless steel A2							
Title	Thread	Thread Pitch mm	Height nut	Wrench Width	PU Piece	Article No.	
Hexagon welding nut	M 3	0.5 mm	3 mm	7.5 mm	1000	097277*	
Hexagon welding nut	M 4	0.7 mm	3.5 mm	9 mm	1000	097278*	
Hexagon welding nut	M 5	0.8 mm	4 mm	10 mm	1000	097279*	
Hexagon welding nut	M 6	1 mm	5 mm	11 mm	500	097280*	
Hexagon welding nut	M 8	1.25 mm	6.5 mm	14 mm	200	097281*	
Hexagon welding nut	M 10	1.5 mm	8 mm	17 mm	100	097282*	
Hexagon welding nut	M 12	1.75 mm	10 mm	19 mm	100	097283*	
Hexagon welding nut	M 16	2 mm	13 mm	24 mm	50	097285*	

* = The delivery time is 14 days

AGR: 01.119

DIN 929, stainless steel A4



1



DIN 929, stainless steel A4							
Title	Thread	Thread Pitch mm	Height nut	Wrench Width	PU Piece	Article No.	
Hexagon welding nut	M 3	0.5 mm	3 mm	7.5 mm	1000	097286*	
Hexagon welding nut	M 4	0.7 mm	3.5 mm	9 mm	1000	097287*	
Hexagon welding nut	M 5	0.8 mm	4 mm	10 mm	1000	097288*	
Hexagon welding nut	M 6	1 mm	5 mm	11 mm	500	097289*	
Hexagon welding nut	M 8	1.25 mm	6.5 mm	14 mm	200	097290*	
Hexagon welding nut	M 10	1.5 mm	8 mm	17 mm	100	097291*	
Hexagon welding nut	M 12	1.75 mm	10 mm	19 mm	100	097293*	
Hexagon welding nut	M 16	2 mm	13 mm	24 mm	50	097294*	

* = The delivery time is 14 days

AGR: 01.119

1

Tear-off nuts, stainless steel A2

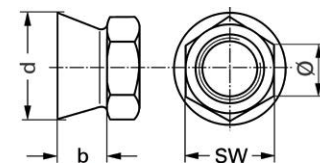
- No longer loosening of the screw is possible after kicking the the nut off

Application Area

- To protect the screw-connection against unauthorised releasing

Processing Information

- Screw in the pull-off nuts (shearing nuts) and rip the hexagon nut off.

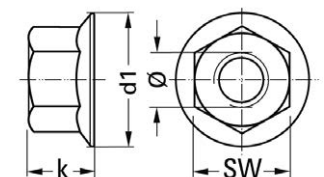


Tear-off nuts, stainless steel A2								
Title	Thread	Thread Pitch mm	Height nut	Wrench Width	Ø collar	Height collar	PU Piece	Article No.
Tear-off nut	M 6	1 mm	9.5 mm	10 mm	9.8 mm	6 mm	100	097338*
Tear-off nut	M 8	1.25 mm	12 mm	13 mm	12.8 mm	8 mm	500	021510*
Tear-off nut	M 10	1.5 mm	15 mm	17 mm	16.8 mm	10 mm	100	021509*
Tear-off nut	M 12	1.75 mm	16 mm	19 mm	18.8 mm	10.5 mm	100	021507*

* = The delivery time is 14 days

AGR: 01.029

MBN 13023, with flange, fine thread, steel 10, zinc flake coating


1

Application Area

- Nuts especially suitable for all Mercedes-Benz commercial vehicles (for example, Actros, Axor, Atego, Econic, Unimog, Zetros)

Characteristics

- Special surface protection according to DBL 9440.40 (zinc flake coating), therefore, high corrosion resistance of 720 h
Due to the narrow nut thread (pitch and diameter) the backup function is generated

Hints

- Nuts with Ø M10 have a standard thread

MBN 13023, with flange, fine thread, steel 10, zinc flake coating						
Title	Thread	Height nut	Wrench Width	Ø collar	PU Piece	Article No.
Haxagon nut	M 12 x 1.5	13.8 mm	18 mm	26 mm	100	128274
Haxagon nut	M 14 x 1.5	15.9 mm	21 mm	29.9 mm	50	128275
Haxagon nut	M 16 x 1.5	18.3 mm	24 mm	34.5 mm	50	128276*

* = The delivery time is 10 days

AGR: 01.055

1

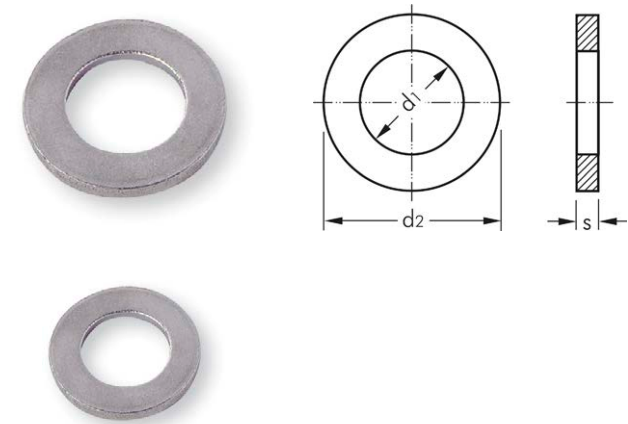
DIN 125-1, shape A, steel 140HV, zinc plated

Characteristics

- Shape A = without chamfer

Hints

- ~ ISO 7089 <soft return/> DIN ISO difference lies in the hardness:
<soft return/> DIN = 140HV
- ISO = 200HV



DIN 125-1, shape A, steel 140HV, zinc plated

Title	For screw Ø	Internal Ø	External Ø	Thickness material	PU Piece	Article No.
Washer	M 3	3.2 mm	7 mm	0.5 mm	200/500	007412
Washer	M 4	4.3 mm	9 mm	0.8 mm	500	007420
Washer	M 5	5.3 mm	10 mm	1 mm	500	007439
Washer	M 6	6.4 mm	12 mm	1.6 mm	500	007447
Washer	M 7	7.4 mm	14 mm	1.6 mm	200/500	007455
Washer	M 8	8.4 mm	16 mm	1.6 mm	500	007463
Washer	M 10	10.5 mm	20 mm	2 mm	100/200	007471
Washer	M 12	13 mm	24 mm	2.5 mm	100/200	632937
Washer	M 14	15 mm	28 mm	2.5 mm	100	632945
Washer	M 16	17 mm	30 mm	3 mm	100	632953
Washer	M 18	19 mm	34 mm	3 mm	100	632961
Washer	M 20	21 mm	37 mm	3 mm	100	632970
Washer	M 22	23 mm	39 mm	3 mm	100	632988
Washer	M 24	25 mm	44 mm	4 mm	50	632996
Washer	M 27	28 mm	50 mm	4 mm	50	646679
Washer	M 30	31 mm	56 mm	4 mm	50	128665

AGR: 01.201

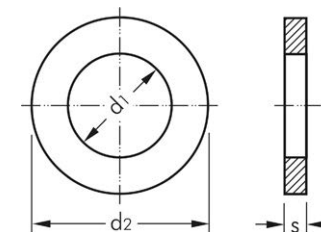
DIN 125-1, shape A, stainless steel A2

Characteristics

- Shape A = without chamfer

Hints

- ~ ISO 7089 <soft return/> DIN ISO difference lies in the hardness:
<soft return/> DIN = 140HV
- ISO = 200HV



Title	For screw Ø	Internal Ø	External Ø	Thickness material	PU Piece	Article No.
Washer	M 2	2.2 mm	5 mm	0.3 mm	2000	096908*
Washer	M 2.5	2.7 mm	6 mm	0.5 mm	2000	096909*
Washer	M 3	3.2 mm	7 mm	0.5 mm	200	224995
Washer	M 4	4.3 mm	9 mm	0.8 mm	200	007587
Washer	M 5	5.3 mm	10 mm	1 mm	200	007595
Washer	M 6	6.4 mm	12 mm	1.6 mm	200	007609
Washer	M 7	7.4 mm	14 mm	1.6 mm	1000	096910*
Washer	M 8	8.4 mm	16 mm	1.6 mm	200	007617
Washer	M 10	10.5 mm	20 mm	2 mm	100	007625
Washer	M 12	13 mm	24 mm	2.5 mm	100	913240
Washer	M 14	15 mm	28 mm	2.5 mm	200	913241
Washer	M 16	17 mm	30 mm	3 mm	50	128677
Washer	M 18	19 mm	34 mm	3 mm	200	022348
Washer	M 20	21 mm	37 mm	3 mm	50	128679
Washer	M 22	23 mm	39 mm	3 mm	100	101962*
Washer	M 24	25 mm	44 mm	4 mm	50	355305
Washer	M 27	28 mm	50 mm	4 mm	50	096911
Washer	M 30	31 mm	56 mm	4 mm	50	096912
Washer	M 36	37 mm	66 mm	5 mm	25	096913

* = The delivery time is 14 days

AGR: 01.205

INTERNAL/Approved (2019-03-22 14:10:10)

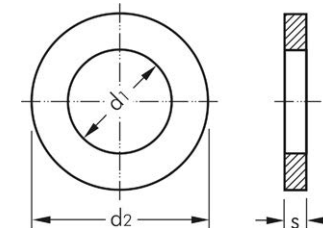
DIN 125-1, shape A, stainless steel A4

Characteristics

- Shape A = without chamfer

Hints

- ~ ISO 7089 <soft return/> DIN ISO difference lies in the hardness:
<soft return/> DIN = 140HV
- ISO = 200HV



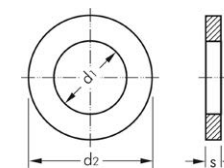
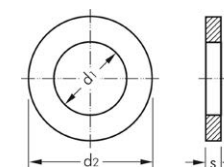
DIN 125-1, shape A, stainless steel A4

Title	For screw Ø	Internal Ø	External Ø	Thickness material	PU Piece	Article No.
Washer	M 4	4.3 mm	9 mm	0.8 mm	100	580112
Washer	M 5	5.3 mm	10 mm	1 mm	100	580120
Washer	M 6	6.4 mm	12 mm	1.6 mm	100	580139
Washer	M 8	8.4 mm	16 mm	1.6 mm	100	580147
Washer	M 10	10.5 mm	20 mm	2 mm	100	580155
Washer	M 12	13 mm	24 mm	2.5 mm	50	580163
Washer	M 14	15 mm	28 mm	2.5 mm	50	176022
Washer	M 16	17 mm	30 mm	3 mm	50	176023
Washer	M 20	21 mm	37 mm	3 mm	10	018883
Washer	M 22	23 mm	39 mm	3 mm	100	096914*
Washer	M 24	25 mm	44 mm	4 mm	100	018884*

* = The delivery time is 14 days

AGR: 01.205

DIN 134, steel zinc plated



DIN 134, steel zinc plated						
Title	For screw Ø	Internal Ø	External Ø	Thickness material	PU Piece	Article No.
Washer	M 3	3.2 mm	7.8 mm	0.4 mm	1000	801100
Washer	M 4	4.3 mm	10 mm	0.7 mm	1000	801117
Washer	M 5	5.3 mm	11.5 mm	1 mm	1000	801124
Washer	M 6	6.4 mm	13.6 mm	1.6 mm	500	801131
Washer	M 8	8.4 mm	18 mm	2 mm	500	801155
Washer	M 10	10.5 mm	22 mm	2.5 mm	200	801162
Washer	M 12	13 mm	26.4 mm	3 mm	200	801179
Washer	M 14	15 mm	27.4 mm	3 mm	200	801186
Washer	M 16	17 mm	33.4 mm	3.9 mm	200	801193
Washer	M 18	19 mm	39.5 mm	3.9 mm	50	801216
Washer	M 20	21 mm	39.6 mm	3.9 mm	50	801209
Washer	M 22	23 mm	39.6 mm	3.9 mm	50	801223
Washer	M 24	25 mm	44.5 mm	3.9 mm	50	801230

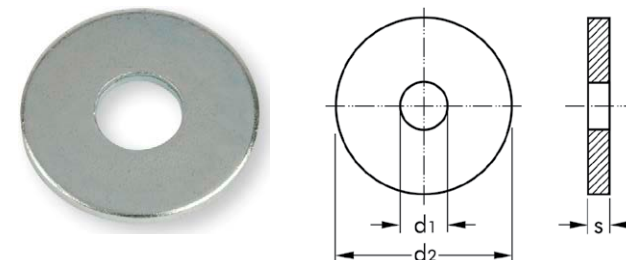
AGR: 01.207

DIN 9021, steel 100HV, zinc plated

- Washer with a larger outer diameter

Characteristics

- Product category C



DIN 9021, steel 100HV, zinc plated

Title	For screw Ø	Internal Ø	External Ø	Thickness material	PU Piece	Article No.
Washer	M 6	6.4 mm	18 mm	1.6 mm	500	273392
Washer	M 8	8.4 mm	24 mm	2 mm	500	273406
Washer	M 10	10.5 mm	30 mm	2.5 mm	250	273414
Washer	M 12	13 mm	37 mm	3 mm	250	273422
Washer	M 14	15 mm	44 mm	3 mm	100	133004
Washer	M 16	17 mm	50 mm	3 mm	100	130193
Washer	M 18	20 mm	56 mm	4 mm	50	133005
Washer	M 20	22 mm	60 mm	4 mm	50	133006

AGR: 01.213

DIN 9021, stainless steel A2

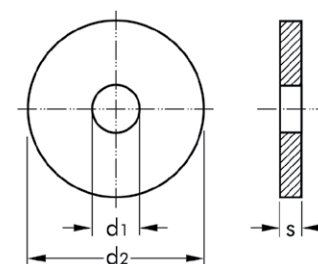
- Washer with a larger outer diameter

Characteristics

- Product category A

Hints

- ~ ISO 7093-1 <soft return/> DIN ISO difference lies in the hardness: <soft return/> DIN = 140HV
- ISO = 200HV



DIN 9021, stainless steel A2

Title	For screw Ø	Internal Ø	External Ø	Thickness material	PU Piece	Article No.
Washer	M 3	3.2 mm	9 mm	0.8 mm	1000	113521
Washer	M 4	4.3 mm	12 mm	1 mm	200	003333
Washer	M 5	5.3 mm	15 mm	1.2 mm	200	003334
Washer	M 6	6.4 mm	18 mm	1.6 mm	200	003335
Washer	M 7	7.4 mm	22 mm	2 mm	500	097205*
Washer	M 8	8.4 mm	24 mm	2 mm	200	284467
Washer	M 10	10.5 mm	30 mm	2.5 mm	100	003337
Washer	M 12	13 mm	37 mm	3 mm	100	101967
Washer	M 16	17 mm	50 mm	3 mm	50	101969
Washer	M 18	20 mm	56 mm	4 mm	50	097206*
Washer	M 20	22 mm	60 mm	4 mm	50	101971

* = The delivery time is 14 days

AGR: 01.213

DIN 9021, stainless steel A4

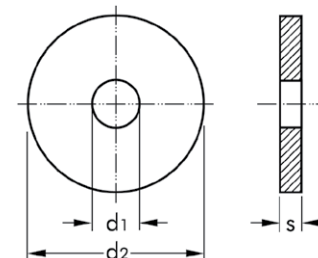
- Washer with a larger outer diameter

Characteristics

- Product category A

Hints

- ~ ISO 7093-1 <soft return/> DIN ISO difference lies in the hardness: <soft return/> DIN = 140HV
- ISO = 200HV



DIN 9021, stainless steel A4							
Title	For screw Ø	Internal Ø	External Ø	Thickness material	PU Piece	Article No.	
Washer	M 3	3.2 mm	9 mm	0.8 mm	1000	063794*	
Washer	M 5	5.3 mm	15 mm	1.2 mm	1000	109490*	
Washer	M 6	6.4 mm	18 mm	1.6 mm	100	109491	
Washer	M 8	8.4 mm	24 mm	2 mm	100	109492	
Washer	M 10	10.5 mm	30 mm	2.5 mm	100	109493	
Washer	M 12	13 mm	37 mm	3 mm	100	003338	
Washer	M 14	15 mm	44 mm	3 mm	100	097207*	
Washer	M 16	17 mm	50 mm	3 mm	50	003339	
Washer	M 20	22 mm	60 mm	4 mm	50	018888*	
Washer	M 24	26 mm	72 mm	5 mm	25	034429*	

* = The delivery time is 14 days
 AGR: 01.213

DIN 433-1, steel 140HV, zinc plated

Application Area

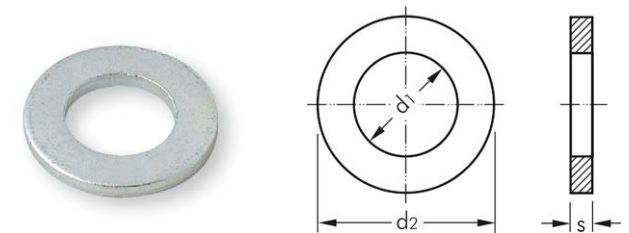
- Preferably for cheese head screws

Characteristics

- Product class A

Hints

- " ~ ISO 7092
ISO-Change:
Change of nominal size of the screw diameter
Minor changes in the dimensions (d1/d2/s) for a couple washer"



DIN 433-1, steel 140HV, zinc plated

Title	For screw Ø	Internal Ø	External Ø	Thickness material	PU Piece	Article No.
Washer	M 4	4.3 mm	8 mm	0.5 mm	500	128447
Washer	M 6	6.4 mm	11 mm	1.6 mm	250	128449
Washer	M 8	8.4 mm	15 mm	1.6 mm	250	128450

AGR: 01.219

DIN 433-1, stainless steel A2

1

Application Area

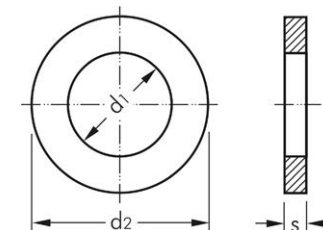
- Preferably for cheese head screws

Characteristics

- Product class A

Hints

- " ~ ISO 7092
ISO-Change:
Change of nominal size of the screw diameter
Minor changes in the dimensions (d1/d2/s) for a couple washer"



DIN 433-1, stainless steel A2						
Title	For screw Ø	Internal Ø	External Ø	Thickness material	PU Piece	Article No.
Washer	M 3	3.2 mm	6 mm	0.5 mm	2000	096946*
Washer	M 4	4.3 mm	8 mm	0.5 mm	1000	096947
Washer	M 5	5.3 mm	9 mm	1 mm	1000	096948
Washer	M 6	6.4 mm	11 mm	1.6 mm	1000	096949
Washer	M 8	8.4 mm	15 mm	1.6 mm	500	096950
Washer	M 10	10.5 mm	18 mm	1.6 mm	500	096951
Washer	M 12	13 mm	20 mm	2 mm	200	096952
Washer	M 16	17 mm	28 mm	2.5 mm	200	096953

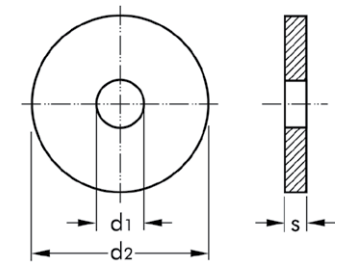
* = The delivery time is 14 days

AGR: 01.218

DIN 1052, stainless steel A2

Characteristics

- Starke, runde Ausführung
- Extra große Auflagefläche



1



DIN 1052, stainless steel A2							
Title	For screw Ø	Internal Ø	External Ø	Thickness material	PU Piece	Article No.	
Washer	M 12	14 mm	58 mm	6 mm	50	097079*	
Washer	M 16	18 mm	68 mm	6 mm	50	097081*	
Washer	M 20	23 mm	80 mm	8 mm	25	097082*	
Washer	M 22	25 mm	92 mm	8 mm	25	097083*	
Washer	M 24	27 mm	105 mm	8 mm	25	097084*	

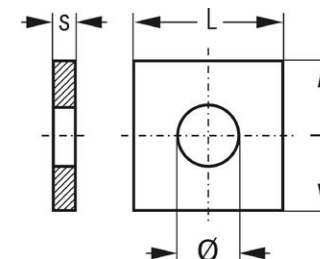
* = The delivery time is 14 days

AGR: 01.215

DIN 436, steel zinc plated

Application Area

- Predominantly for wood constructions



DIN 436, steel zinc plated

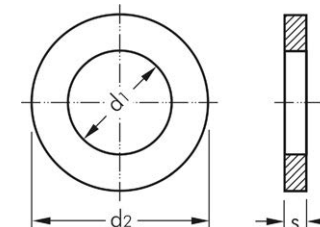
Title	For screw Ø	Internal Ø	Thickness material	Width	Length	PU Piece	Article No.
Square washer	M 12	13.5 mm	4 mm	40 mm	40 mm	100	161926
Square washer	M 12	13.5 mm	4 mm	40 mm	40 mm	100	856865
Square washer	M 16	17.5 mm	5 mm	50 mm	50 mm	100	161927
Square washer	M 16	17.5 mm	5 mm	50 mm	50 mm	100	856872
Square washer	M 20	22 mm	5 mm	60 mm	60 mm	50	008039
Square washer	M 22	24 mm	6 mm	70 mm	70 mm	25	008035

AGR: 01.214 / 01.263

DIN 988, steel plain

Hints

- Shim Ring= Washer Set



DIN 988, steel plain

Title	Internal Ø	External Ø	Thickness material	PU Piece	Article No.
Shim ring	6 mm	12 mm	0.3 mm	25	007811
Shim ring	6 mm	12 mm	0.5 mm	25	008087
Shim ring	6 mm	12 mm	1 mm	25	008397
Shim ring	8 mm	14 mm	0.3 mm	25	007722
Shim ring	8 mm	14 mm	0.5 mm	25	008010
Shim ring	8 mm	14 mm	1 mm	25	008303
Shim ring	10 mm	16 mm	0.3 mm	25	007862
Shim ring	10 mm	16 mm	0.5 mm	25	008141
Shim ring	10 mm	16 mm	1 mm	25	008451

INTERNAL/Approved (2019-03-22 14:11:30)

DIN 988, steel plain					
Title	Internal Ø	External Ø	Thickness material	PU Piece	Article No.
Shim ring	12 mm	18 mm	0.3 mm	25	007765
Shim ring	12 mm	18 mm	0.5 mm	25	008052
Shim ring	12 mm	18 mm	1 mm	25	008338
Shim ring	14 mm	20 mm	0.3 mm	25	007820
Shim ring	14 mm	20 mm	0.5 mm	25	008095
Shim ring	14 mm	20 mm	1 mm	25	008400
Shim ring	16 mm	22 mm	0.3 mm	25	007773
Shim ring	16 mm	22 mm	0.5 mm	25	008060
Shim ring	16 mm	22 mm	1 mm	25	008346
Shim ring	18 mm	25 mm	0.3 mm	25	007781
Shim ring	18 mm	25 mm	0.5 mm	25	008168
Shim ring	18 mm	25 mm	1 mm	25	008354
Shim ring	20 mm	28 mm	0.3 mm	25	007749
Shim ring	20 mm	28 mm	0.5 mm	25	008036
Shim ring	20 mm	28 mm	1 mm	25	008320
Shim ring	22 mm	32 mm	0.3 mm	25	007927
Shim ring	22 mm	32 mm	0.5 mm	25	008214
Shim ring	22 mm	32 mm	1 mm	25	008508
Shim ring	25 mm	36 mm	0.3 mm	25	007935
Shim ring	25 mm	36 mm	0.5 mm	25	008222
Shim ring	25 mm	36 mm	1 mm	25	008516
Shim ring	26 mm	37 mm	0.3 mm	25	007897
Shim ring	26 mm	37 mm	0.5 mm	25	008184
Shim ring	26 mm	37 mm	1 mm	25	008478
Shim ring	28 mm	40 mm	0.3 mm	25	007943
Shim ring	28 mm	40 mm	0.5 mm	25	008230
Shim ring	28 mm	40 mm	1 mm	25	008524
Shim ring	30 mm	42 mm	0.3 mm	25	007951
Shim ring	30 mm	42 mm	0.5 mm	25	008249
Shim ring	30 mm	42 mm	1 mm	25	008532
Shim ring	32 mm	45 mm	0.3 mm	25	007960

INTERNAL/Approved (2019-03-22 14:12:02)

Washers and rings

1

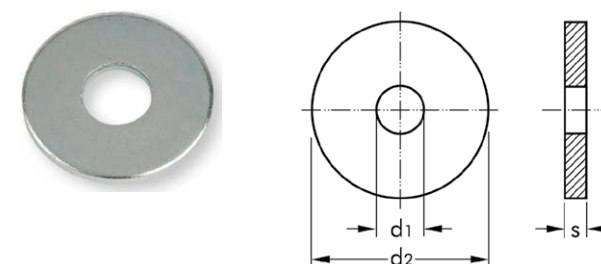
DIN 988, steel plain

Title	Internal Ø	External Ø	Thickness material	PU Piece	Article No.
Shim ring	32 mm	45 mm	0.5 mm	25	008257
Shim ring	32 mm	45 mm	1 mm	25	008540
Shim ring	35 mm	45 mm	0.3 mm	25	007978
Shim ring	35 mm	45 mm	0.5 mm	25	008265
Shim ring	35 mm	45 mm	1 mm	25	008559
Shim ring	36 mm	45 mm	0.3 mm	25	007986
Shim ring	36 mm	45 mm	0.5 mm	25	008273
Shim ring	36 mm	45 mm	1 mm	25	008567
Shim ring	40 mm	50 mm	0.3 mm	25	008001
Shim ring	40 mm	50 mm	0.5 mm	25	008290
Shim ring	40 mm	50 mm	1 mm	25	008583
Shim ring	42 mm	52 mm	0.3 mm	25	007846
Shim ring	42 mm	52 mm	0.5 mm	25	008117
Shim ring	42 mm	52 mm	1 mm	25	008427
Shim ring	45 mm	56 mm	0.3 mm	25	007870
Shim ring	45 mm	56 mm	0.5 mm	25	008150
Shim ring	45 mm	56 mm	1 mm	25	008443
Shim ring	52 mm	65 mm	0.3 mm	25	007803
Shim ring	52 mm	65 mm	0.5 mm	25	008125
Shim ring	52 mm	65 mm	1 mm	25	008389

AGR: 01.220

DIN 7349, steel 100HV, zinc plated

- Thicker version for heavy applications
- Zinc-plated



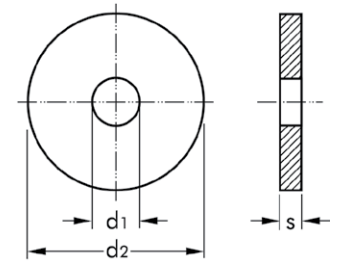
1

DIN 7349, steel 100HV, zinc plated							
Title	For screw Ø	Internal Ø	External Ø	Thickness material	PU Piece	Article No.	
Washer	M 5	5.3 mm	15 mm	2 mm	100	913366	
Washer	M 6	6.4 mm	17 mm	3 mm	100	913367	
Washer	M 8	8.4 mm	21 mm	4 mm	100	913368	
Washer	M 10	10.5 mm	25 mm	4 mm	100	913369	
Washer	M 12	13 mm	30 mm	6 mm	100	913370	
Washer	M 14	15 mm	36 mm	6 mm	100	116288	
Washer	M 16	17 mm	40 mm	6 mm	50	935965	
Washer	M 20	21 mm	44 mm	8 mm	50	935966	

AGR: 01.212

DIN 7349, stainless steel A2

1



DIN 7349, stainless steel A2							
Title	For screw Ø	Internal Ø	External Ø	Thickness material	PU Piece	Article No.	
Washer	M 3	3.2 mm	9 mm	1 mm	1000	097174*	
Washer	M 4	4.3 mm	12 mm	1.6 mm	1000	097175*	
Washer	M 5	5.3 mm	15 mm	2 mm	1000	097176*	
Washer	M 6	6.4 mm	17 mm	3 mm	500	097177*	
Washer	M 8	8.4 mm	21 mm	4 mm	500	097178*	
Washer	M 10	10.5 mm	25 mm	4 mm	200	097180*	
Washer	M 12	13 mm	30 mm	6 mm	200	097181*	
Washer	M 14	15 mm	36 mm	6 mm	100	097182*	
Washer	M 16	17 mm	40 mm	6 mm	100	097183*	
Washer	M 18	19 mm	44 mm	8 mm	50	097184*	
Washer	M 20	21 mm	44 mm	8 mm	50	097185*	
Washer	M 22	23 mm	50 mm	8 mm	50	097186*	
Washer	M 24	25 mm	50 mm	10 mm	50	097188*	

* = The delivery time is 14 days

AGR: 01.212

DIN 440, shape R, steel 100HV, zinc plated

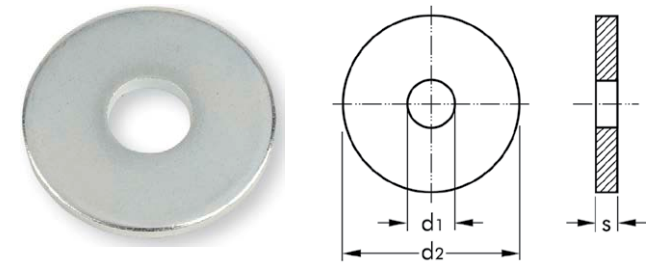
- Thicker version for heavy applications

Application Area

- Mainly for wood constructions

Characteristics

- Shape R = with round hole



1

DIN 440, shape R, steel 100HV, zinc plated

Title	For screw Ø	Internal Ø	External Ø	Thickness material	PU Piece	Article No.
Washer	M 6	6.6 mm	22 mm	2 mm	100	124227
Washer	M 8	9 mm	28 mm	3 mm	100/500	124229
Washer	M 10	11 mm	34 mm	3 mm	100	124232
Washer	M 12	13.5 mm	44 mm	4 mm	100	864839
Washer	M 16	17.5 mm	56 mm	5 mm	100	864846
Washer	M 20	22 mm	72 mm	6 mm	50	506010
Washer	M 24	26 mm	85 mm	6 mm	25	008038

AGR: 01.210

DIN 440, shape R, stainless steel A2

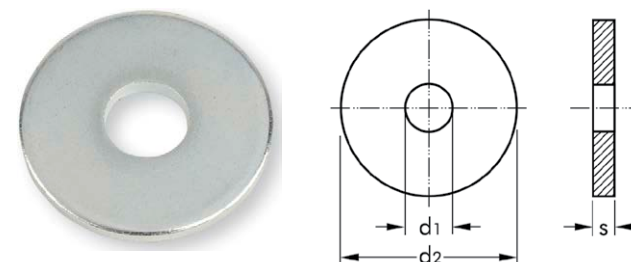
- Thicker version for heavy applications

Application Area

- Mainly for wood constructions

Characteristics

- Shape R = with round hole



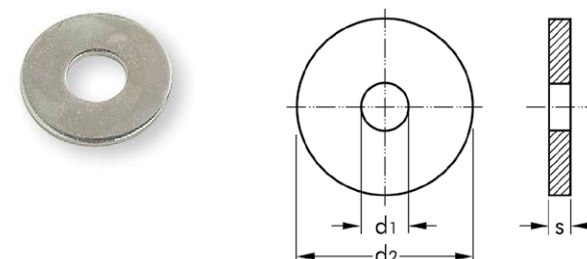
DIN 440, shape R, stainless steel A2

Title	For screw Ø	Internal Ø	External Ø	Thickness material	PU Piece	Article No.
Washer	M 5	5.5 mm	18 mm	2 mm	200	113496
Washer	M 6	6.6 mm	22 mm	2 mm	200	096967
Washer	M 8	9 mm	28 mm	3 mm	50	113498
Washer	M 10	11 mm	34 mm	3 mm	50	113499
Washer	M 12	13.5 mm	44 mm	4 mm	25	113500
Washer	M 16	17.5 mm	56 mm	5 mm	50	096968
Washer	M 20	22 mm	72 mm	6 mm	50	096969*
Washer	M 24	26 mm	85 mm	6 mm	25	096971*

* = The delivery time is 14 days

AGR: 01.210

Large diameter washers, steel zinc plated



INTERNAL/Approved (2019-03-22 14:13:03)

Washers and rings

Large diameter washers, steel zinc plated						
Title	For screw Ø	Internal Ø	External Ø	Thickness material	PU Piece	Article No.
Large diameter washer	M 4	4.3 mm	12 mm	1 mm	100	008591
Large diameter washer	M 4	4.3 mm	15 mm	1.5 mm	100/200	008907
Large diameter washer	M 4	4.3 mm	20 mm	1.5 mm	100/200	008915
Large diameter washer	M 5	5.3 mm	15 mm	1.5 mm	100/200	008923
Large diameter washer	M 5	5.3 mm	20 mm	1.5 mm	100/200	008818
Large diameter washer	M 5	5.3 mm	25 mm	1.5 mm	100/200	008931
Large diameter washer	M 6	6.4 mm	15 mm	1.5 mm	100/200	008940
Large diameter washer	M 6	6.4 mm	20 mm	1.5 mm	100/200	008826
Large diameter washer	M 6	6.4 mm	20 mm	2 mm	100/200	896342
Large diameter washer	M 6	6.4 mm	20 mm	2 mm	100/200	054315
Large diameter washer	M 6	6.4 mm	25 mm	1.5 mm	100/200	008958
Large diameter washer	M 6	6.4 mm	30 mm	1.5 mm	100/200	008842
Large diameter washer	M 7	7.4 mm	20 mm	1.5 mm	100	009032
Large diameter washer	M 7	7.4 mm	30 mm	1.5 mm	100	008974
Large diameter washer	M 8	8.4 mm	20 mm	1.5 mm	100/200	008834
Large diameter washer	M 8	8.4 mm	20 mm	2 mm	100	896359
Large diameter washer	M 8	8.4 mm	25 mm	1.5 mm	100/200	008966
Large diameter washer	M 8	8.4 mm	30 mm	1.5 mm	100/200	008850
Large diameter washer	M 8	8.4 mm	30 mm	3 mm	100	933916
Large diameter washer	M 8	8.4 mm	35 mm	1.5 mm	100/200	008982
Large diameter washer	M 8	8.4 mm	40 mm	1.5 mm	100	009059
Large diameter washer	M 10	10.5 mm	20 mm	1.5 mm	100	009083
Large diameter washer	M 10	10.5 mm	25 mm	1.5 mm	100/200	009040
Large diameter washer	M 10	10.5 mm	30 mm	1.5 mm	100/200	008869
Large diameter washer	M 10	10.5 mm	30 mm	3 mm	100	896366
Large diameter washer	M 10	10.5 mm	35 mm	1.5 mm	100/200	008877
Large diameter washer	M 10	10.5 mm	40 mm	2 mm	100/200	008800
Large diameter washer	M 10	10.5 mm	40 mm	3 mm	100	167961
Large diameter washer	M 10	10.5 mm	50 mm	2 mm	100	009024
Large diameter washer	M 12	13 mm	30 mm	1.5 mm	100	539589
Large diameter washer	M 12	13 mm	35 mm	1.5 mm	100	539597

INTERNAL/Approved (2019-03-22 14:13:35)

Washers and rings

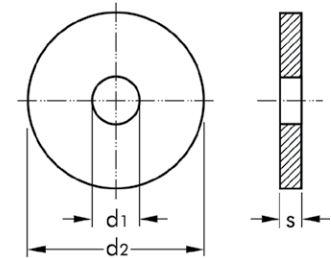
1

Large diameter washers, steel zinc plated

Title	For screw Ø	Internal Ø	External Ø	Thickness material	PU Piece	Article No.
Large diameter washer	M 12	13 mm	50 mm	2.5 mm	100	539600

AGR: 01.231

Large diameter washers, stainless steel A2



Large diameter washers, stainless steel A2

Title	For screw Ø	Internal Ø	External Ø	Thickness material	PU Piece	Article No.
Large diameter washer	M 4	4.3 mm	12 mm	1 mm	500	932670
Large diameter washer	M 4	4.3 mm	15 mm	1 mm	500	097208
Large diameter washer	M 4	4.3 mm	20 mm	1.25 mm	500	097210
Large diameter washer	M 4	4.3 mm	25 mm	1.5 mm	200	097211
Large diameter washer	M 5	5.3 mm	15 mm	1.5 mm	500	097212
Large diameter washer	M 5	5.3 mm	20 mm	1.5 mm	500	113505
Large diameter washer	M 5	5.3 mm	25 mm	1.5 mm	200	097213
Large diameter washer	M 5	5.3 mm	30 mm	1.5 mm	200	097214
Large diameter washer	M 6	6.4 mm	20 mm	1.5 mm	500	113508
Large diameter washer	M 6	6.4 mm	25 mm	1.5 mm	200	113509
Large diameter washer	M 6	6.4 mm	30 mm	1.5 mm	200	113510
Large diameter washer	M 6	6.4 mm	35 mm	1.5 mm	200	097215
Large diameter washer	M 6	6.4 mm	40 mm	1.5 mm	200	097216
Large diameter washer	M 8	8.4 mm	20 mm	1.5 mm	500	113511
Large diameter washer	M 8	8.4 mm	25 mm	1.5 mm	200	113512
Large diameter washer	M 8	8.4 mm	30 mm	1.5 mm	200	113513
Large diameter washer	M 8	8.4 mm	35 mm	1.5 mm	200	097218

INTERNAL/Approved (2019-03-22 14:14:01)

Large diameter washers, stainless steel A2						
Title	For screw Ø	Internal Ø	External Ø	Thickness material	PU Piece	Article No.
Large diameter washer	M 8	8.4 mm	40 mm	1.5 mm	200	097219
Large diameter washer	M 10	10.5 mm	25 mm	1.5 mm	200	097220
Large diameter washer	M 10	10.5 mm	30 mm	1.5 mm	200	113516
Large diameter washer	M 10	10.5 mm	35 mm	1.5 mm	200	097221
Large diameter washer	M 10	10.5 mm	40 mm	1.5 mm	200	113518
Large diameter washer	M 12	12.5 mm	30 mm	1.5 mm	200	097222
Large diameter washer	M 12	12.5 mm	35 mm	1.5 mm	200	097223
Large diameter washer	M 12	12.5 mm	40 mm	1.5 mm	200	097224

AGR: 01.233

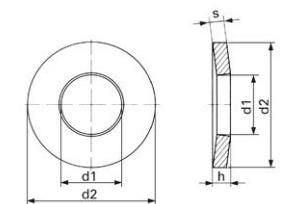
DIN 6796, spring steel zinc plated

Application Area

- For screw connections

Characteristics

- Spring steel



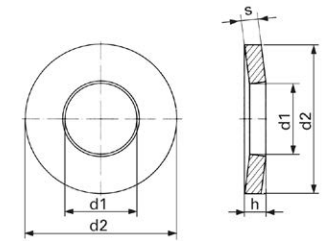
DIN 6796, spring steel zinc plated							
Title	For screw Ø	Internal Ø	External Ø	Thickness material	Height	PU Piece	Article No.
Conical spring washer	M 8	8.4 mm	18 mm	2 mm	2.6 mm	200	039899
Conical spring washer	M 10	10.5 mm	23 mm	2.5 mm	3.2 mm	100	030229
Conical spring washer	M 12	13 mm	29 mm	3 mm	3.95 mm	100	030230
Conical spring washer	M 14	15 mm	35 mm	3.5 mm	4.65 mm	100	333623
Conical spring washer	M 16	17 mm	39 mm	4 mm	5.25 mm	100	030232

AGR: 01.295

INTERNAL/Approved (2019-03-22 14:14:25)

DIN 6796, stainless steel A2

1



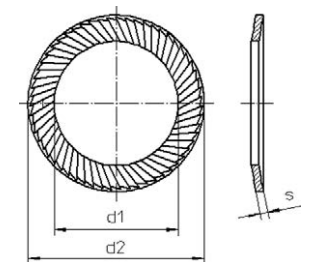
DIN 6796, stainless steel A2							
Title	For screw Ø	Internal Ø	External Ø	Thickness material	Height	PU Piece	Article No.
Conical spring washer	M 3	3.2 mm	7 mm	0.6 mm	0.85 mm	500	097085*
Conical spring washer	M 4	4.3 mm	9 mm	1 mm	1.3 mm	500	097086*
Conical spring washer	M 5	5.3 mm	11 mm	1.2 mm	1.55 mm	500	097087
Conical spring washer	M 6	6.4 mm	14 mm	1.5 mm	2 mm	500	097088
Conical spring washer	M 8	8.4 mm	18 mm	2 mm	2.6 mm	200	097089
Conical spring washer	M 10	10.5 mm	23 mm	2.5 mm	3.2 mm	200	097090
Conical spring washer	M 12	13 mm	29 mm	3 mm	3.95 mm	200	097091*
Conical spring washer	M 14	15 mm	35 mm	3.5 mm	4.65 mm	100	097092
Conical spring washer	M 16	17 mm	39 mm	4 mm	5.25 mm	100	097093
Conical spring washer	M 18	19 mm	42 mm	4.5 mm	5.8 mm	100	097094*
Conical spring washer	M 20	21 mm	45 mm	5 mm	6.4 mm	100	097095*
Conical spring washer	M 22	23 mm	49 mm	5.5 mm	7.05 mm	50	097096*
Conical spring washer	M 24	25 mm	56 mm	6 mm	7.75 mm	50	097097*

* = The delivery time is 14 days

AGR: 01.299

Schnorr locking washers, type S, spring steel zinc plated

- Due to form closure of the helical gearing, a high vibration resistance is ensured
- The closed ring shape achieves a high preload force (good traction)
- No bending moments because the force application is performed concentrically



INTERNAL/Approved (2019-03-22 14:14:49)

- No chip formation at the tightening by sliding surfaces
- No bursting during tightening

Application Area

- Securing of screw connections which are exposed to dynamic loads such as vibrations
- The disc can also be used in abatements and at cylinder screws

Characteristics

- Typ S = standard

Processing Information

- For screws until stability class 8.8

Hints

- Due to the disc spring form an optimal traction is achieved and at the same time the highest form closure by helical gears is achieved

Schnorr locking washers, type S, spring steel zinc plated						
Title	For screw Ø	Internal Ø	External Ø	Thickness material	PU Piece	Article No.
Schnorr locking washer	M 5	5.3 mm	9 mm	0.6 mm	250	001328
Schnorr locking washer	M 6	6.4 mm	10 mm	0.7 mm	250	001327
Schnorr locking washer	M 8	8.4 mm	13 mm	0.8 mm	250	001324
Schnorr locking washer	M 10	10.5 mm	16 mm	1 mm	100	001323
Schnorr locking washer	M 12	13 mm	18 mm	1.1 mm	100	001322

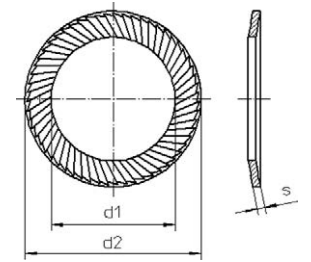
AGR: 01.291

INTERNAL/Approved (2019-03-22 14:14:55)

1

Schnorr locking washers, type S, stainless steel A2

- Due to form closure of the helical gearing, a high vibration resistance is ensured
- The closed ring shape achieves a high preload force (good traction)
- No bending moments because the force application is performed concentrically
- No chip formation at the tightening by sliding surfaces
- No bursting during tightening



Application Area

- Securing of screw connections which are exposed to dynamic loads such as vibrations
- The disc can also be used in abatements and at cylinder screws

Characteristics

- Typ S = standard

Hints

- Due to the disc spring form an optimal traction is achieved and at the same time the highest form closure by helical gears is achieved

Schnorr locking washers, type S, stainless steel A2

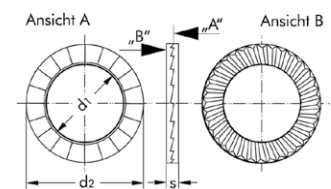
Title	For screw Ø	Internal Ø	External Ø	Thickness material	PU Piece	Article No.
Schnorr locking washer	M 8	8.4 mm	13 mm	0.8 mm	250	021395
Schnorr locking washer	M 10	10.5 mm	16 mm	1 mm	100	021398
Schnorr locking washer	M 12	13 mm	18 mm	1.1 mm	500	021399*

* = The delivery time is 14 days

AGR: 01.291

Nord-Lock locking washers, steel zinc flake coating

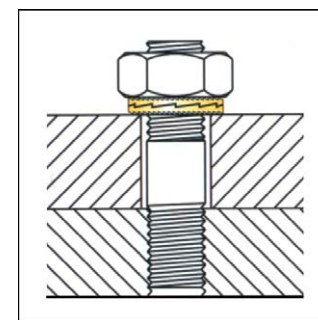
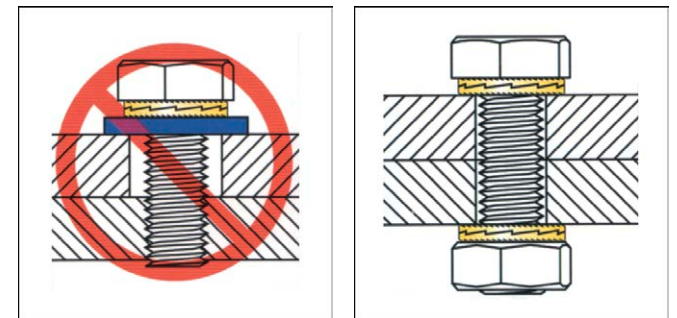
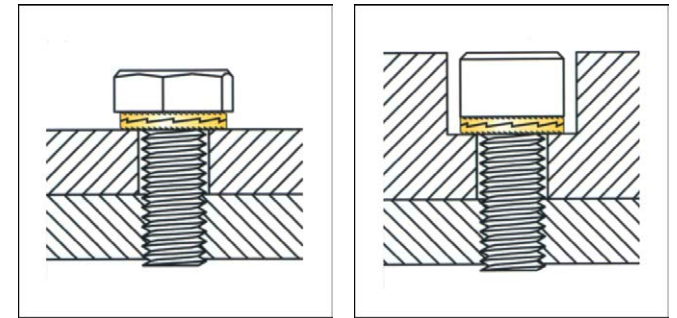
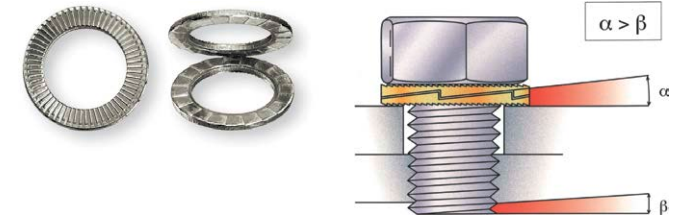
Characteristics



- Pairwise glued

Processing Information

- For screws up to property class 12.9
Not for use with screws of strength class 12.9 reusable
When fitting the correct position of the plate pairs



Nord-Lock locking washers, steel zinc flake coating

Title	For screw Ø	Internal Ø	External Ø	Thickness material	PU Piece	Article No.
Nord-Lock locking washer	M 4	4.4 mm	7.6 mm	1.8 mm	100	044404
Nord-Lock locking washer	M 5	5.4 mm	9 mm	1.8 mm	100	044405
Nord-Lock locking washer	M 6	6.5 mm	10.8 mm	1.8 mm	100	044406
Nord-Lock locking washer	M 8	8.7 mm	13.5 mm	2.5 mm	100	044408
Nord-Lock locking washer	M 10	10.7 mm	16.6 mm	2.5 mm	50	044396
Nord-Lock locking washer	M 12	13 mm	19.5 mm	2.5 mm	50	044397

1

Nord-Lock locking washers, steel zinc flake coating						
Title	For screw Ø	Internal Ø	External Ø	Thickness material	PU Piece	Article No.
Nord-Lock locking washer	M 14	15.2 mm	23 mm	3.4 mm	25	044398
Nord-Lock locking washer	M 16	17 mm	25.4 mm	3.4 mm	25	044399
Nord-Lock locking washer	M 18	19.5 mm	29 mm	3.4 mm	100	058558
Nord-Lock locking washer	M 20	21.4 mm	30.7 mm	3.4 mm	25	044400
Nord-Lock locking washer	M 22	23.4 mm	34.5 mm	3.4 mm	100	058559
Nord-Lock locking washer	M 24	25.3 mm	39 mm	3.4 mm	10	044401
Nord-Lock locking washer	M 27	28.4 mm	42 mm	6.6 mm	50	128406
Nord-Lock locking washer	M 30	31.4 mm	47 mm	6.6 mm	10	044402

AGR: 01.297

Nord-Lock locking washers, type SP, steel zinc flake coating

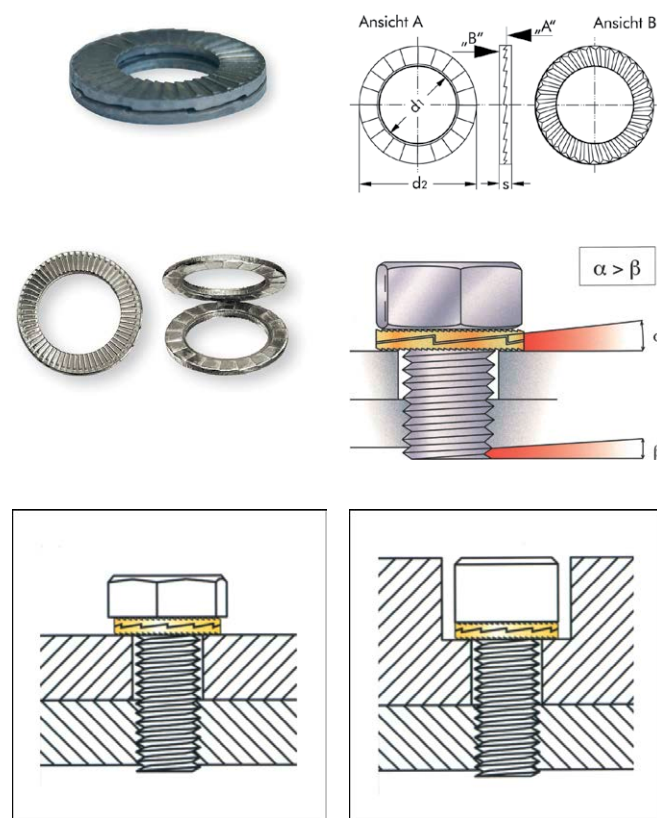
- Maximum safety when backing up screw
- Simple assembly and disassembly
- Unaffected by lubricants
- Backup function is ensured at high and low preload forces
- Gentle on surfaces
- reusable

Application Area

- The self-locking wedge lock washer pairs are suitable in accordance with DIN 25201 as a security nut for threaded fasteners, the most extreme dynamic loads are exposed to vibration and vibration

Characteristics

- Pairwise glued
- Type SP = with large contact surface



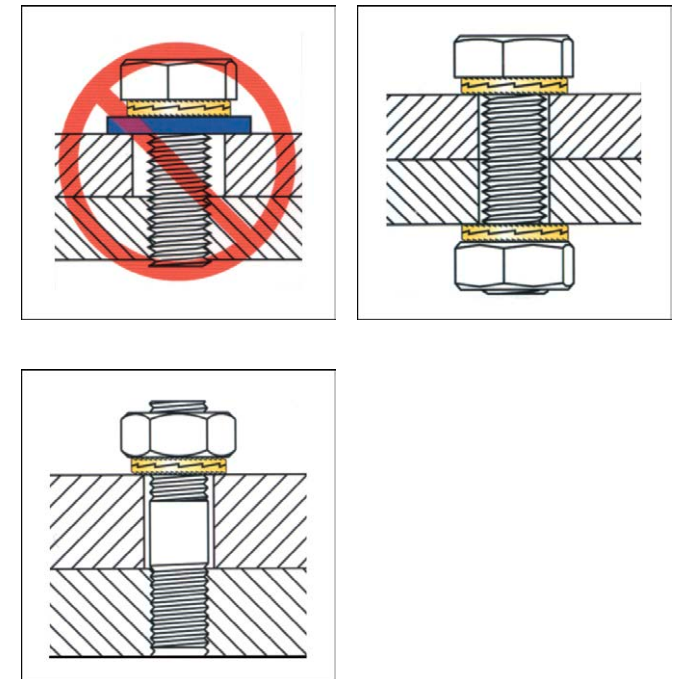
INTERNAL/Approved (2019-03-22 14:15:16)

Processing Information

- For screws up to property class 12.9
- Not for use with screws of strength class 12.9 reusable
- When fitting the correct position of the plate pairs

Hints

- The discs are on the outside of radial ribs which generate by their special embossing a positive engagement with the securing element used
- On the inside of the lock washers have opposite wedge faces whose slope is greater than the pitch of the screw or nut thread
- Due to the positive engagement movement is only possible between the discs. There, the wedge effect of the opposing discs produced due to the higher slope immediately increasing the bias



1

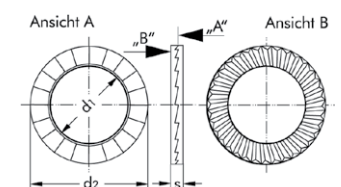
Nord-Lock locking washers, type SP, steel zinc flake coating

Title	For screw Ø	Internal Ø	External Ø	Thickness material	PU Piece	Article No.
Nord-Lock locking washer	M 5	5.4 mm	10.8 mm	1.8 mm	200	128409
Nord-Lock locking washer	M 6	6.5 mm	13.5 mm	2.5 mm	200	076401
Nord-Lock locking washer	M 8	8.7 mm	16.6 mm	2.5 mm	200	076402
Nord-Lock locking washer	M 10	10.7 mm	21 mm	2.5 mm	200	076403
Nord-Lock locking washer	M 12	13 mm	25.4 mm	3.4 mm	100	076404
Nord-Lock locking washer	M 14	15.2 mm	30.7 mm	3.4 mm	100	128410
Nord-Lock locking washer	M 16	17 mm	30.7 mm	3.4 mm	100	076405
Nord-Lock locking washer	M 18	19.5 mm	34.5 mm	3.4 mm	100	128411
Nord-Lock locking washer	M 20	21.4 mm	39 mm	3.4 mm	100	128412
Nord-Lock locking washer	M 24	25.3 mm	48.5 mm	4.6 mm	50	063546
Nord-Lock locking washer	M 27	28.4 mm	48.5 mm	6.6 mm	25	128414
Nord-Lock locking washer	M 30	31.4 mm	58.5 mm	6.6 mm	25	128415

AGR: 01.297

Nord-Lock locking washers, stainless steel A4

- Maximum safety when securing screw connections
- Easy assembly and disassembly
- Unaffected by lubricants



INTERNAL/Approved (2019-03-22 14:15:21)

Washers and rings

1

- Safety function is ensured at high and low preload forces
- Gentle on surfaces
- Reusable

Application Area

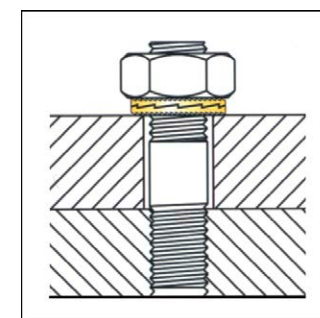
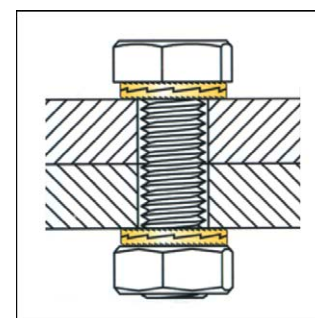
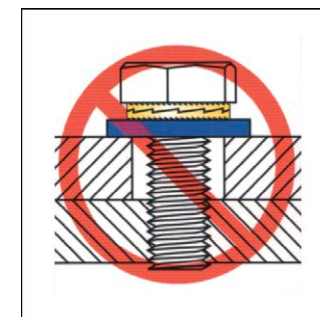
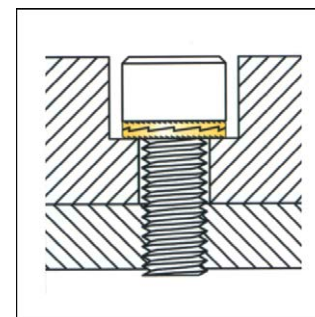
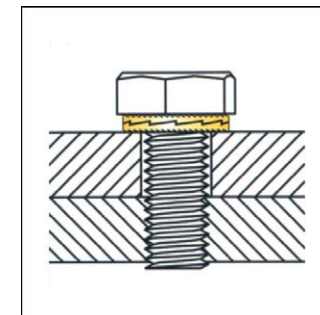
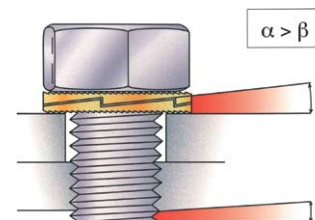
- The self-locking wedge lock washer pairs are in accordance to DIN 25201 suitable as a spin-lock for screw connections, which are exposed to the most extreme dynamic loads due to vibrations

Characteristics

- Glued in pairs

Hints

- The discs are on the outside of radial ribs which generate by their special embossing a positive engagement with the securing element used
On the inside of the lock washers have opposite wedge faces whose slope is greater than the pitch of the screw or nut thread
Due to the positive engagement movement is only possible between the discs. There, the wedge effect of the opposing discs produced due to the higher slope immediately increasing the bias



Nord-Lock locking washers, stainless steel A4						
Title	For screw Ø	Internal Ø	External Ø	Thickness material	PU Piece	Article No.
Nord-Lock locking washer	M 4	4.4 mm	7.6 mm	1.8 mm	100	034451*
Nord-Lock locking washer	M 5	5.4 mm	9 mm	1.8 mm	100	034452*
Nord-Lock locking washer	M 6	6.5 mm	10.8 mm	1.8 mm	100	034453
Nord-Lock locking washer	M 8	8.7 mm	13.5 mm	2.5 mm	100	034454
Nord-Lock locking washer	M 10	10.7 mm	16.6 mm	2.5 mm	50	034455
Nord-Lock locking washer	M 12	13 mm	19.5 mm	2.5 mm	50	034456
Nord-Lock locking washer	M 16	17 mm	25.4 mm	3.4 mm	25	034457
Nord-Lock locking washer	M 20	21.4 mm	30.7 mm	3.4 mm	25	034458

* = The delivery time is 30 days

AGR: 01.297

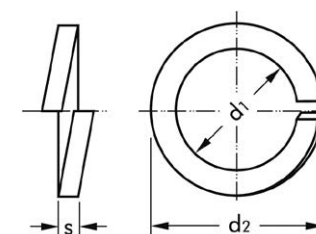
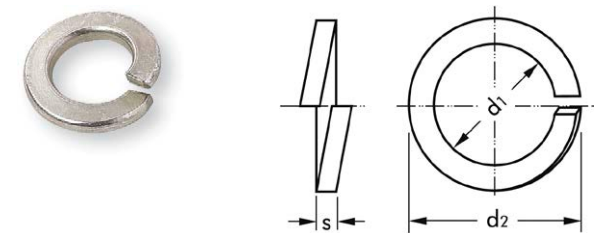
DIN 127, shape B, spring steel zinc plated

Characteristics

- Shape B = smooth

Processing Information

- Only suitable for screws up to a strength category of 5.8. At higher strength categories, Teckentrup lock washers should be used



DIN 127, shape B, spring steel zinc plated						
Title	For screw Ø	Internal Ø	External Ø	Thickness material	PU Piece	Article No.
Spring lock washer	M 3	3.1 mm	6.2 mm	0.8 mm	200/500	003611
Spring lock washer	M 4	4.1 mm	7.6 mm	0.9 mm	200/500	003620
Spring lock washer	M 5	5.1 mm	9.2 mm	1.2 mm	200/500	003638
Spring lock washer	M 6	6.1 mm	11.8 mm	1.6 mm	500	003646
Spring lock washer	M 7	7.1 mm	12.8 mm	1.6 mm	200/500	003654
Spring lock washer	M 8	8.1 mm	14.8 mm	2 mm	500	003662
Spring lock washer	M 10	10.2 mm	18.1 mm	2.2 mm	100/200	003670

INTERNAL/Approved (2019-03-22 14:15:27)

Washers and rings

1

DIN 127, shape B, spring steel zinc plated

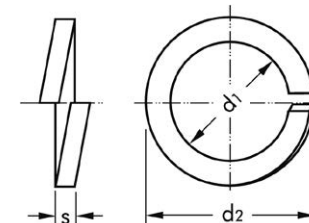
Title	For screw Ø	Internal Ø	External Ø	Thickness material	PU Piece	Article No.
Spring lock washer	M 12	12.2 mm	21.1 mm	2.5 mm	100/200	003689
Spring lock washer	M 14	14.2 mm	24.1 mm	3 mm	100	003697
Spring lock washer	M 16	16.2 mm	27.4 mm	3.5 mm	100	003700
Spring lock washer	M 18	18.2 mm	29.4 mm	3.5 mm	50	003727
Spring lock washer	M 20	20.2 mm	33.6 mm	4 mm	50	003719
Spring lock washer	M 22	22.5 mm	35.9 mm	4 mm	50	003735
Spring lock washer	M 24	24.5 mm	40 mm	5 mm	50	003743
Spring lock washer	M 27	27.5 mm	43 mm	5 mm	50	003751
Spring lock washer	M 30	30.5 mm	48.2 mm	6 mm	50	003760

AGR: 01.272

DIN 127, shape B, stainless steel 1.4310 (A1)

Characteristics

- Shape B = smooth



DIN 127, shape B, stainless steel 1.4310 (A1)

Title	For screw Ø	Internal Ø	External Ø	Thickness material	PU Piece	Article No.
Spring lock washer	M 2	2.1 mm	4.4 mm	0.5 mm	1000	096915*
Spring lock washer	M 2.5	2.6 mm	5.1 mm	0.6 mm	1000	096916*
Spring lock washer	M 3	3.1 mm	6.2 mm	0.8 mm	100	003824
Spring lock washer	M 3.5	3.6 mm	6.7 mm	0.8 mm	1000	096917*
Spring lock washer	M 4	4.1 mm	7.6 mm	0.9 mm	200	003832
Spring lock washer	M 5	5.1 mm	9.2 mm	1.2 mm	200	003840
Spring lock washer	M 6	6.1 mm	11.8 mm	1.6 mm	200	003859
Spring lock washer	M 8	8.1 mm	14.8 mm	2 mm	200	003867
Spring lock washer	M 10	10.2 mm	18.1 mm	2.2 mm	100	003875
Spring lock washer	M 12	12.2 mm	21.1 mm	2.5 mm	100	355232

INTERNAL/Approved (2019-03-22 14:15:48)

DIN 127, shape B, stainless steel 1.4310 (A1)						
Title	For screw Ø	Internal Ø	External Ø	Thickness material	PU Piece	Article No.
Spring lock washer	M 14	14.2 mm	24.1 mm	3 mm	500	355240
Spring lock washer	M 16	16.2 mm	27.4 mm	3.5 mm	50	003891
Spring lock washer	M 18	18.2 mm	29.4 mm	3.5 mm	200	157760*
Spring lock washer	M 20	20.2 mm	33.6 mm	4 mm	200	355259
Spring lock washer	M 24	24.5 mm	40 mm	5 mm	100	355267

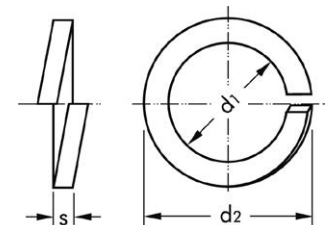
* = The delivery time is 14 days

AGR: 01.273

DIN 127, shape B, stainless steel A4

Characteristics

- Shape B = smooth



DIN 127, shape B, stainless steel A4						
Title	For screw Ø	Internal Ø	External Ø	Thickness material	PU Piece	Article No.
Spring lock washer	M 3	3.1 mm	6.2 mm	0.8 mm	1000	063795*
Spring lock washer	M 4	4.1 mm	7.6 mm	0.9 mm	1000	109497
Spring lock washer	M 5	5.1 mm	9.2 mm	1.2 mm	1000	109498
Spring lock washer	M 6	6.1 mm	11.8 mm	1.6 mm	1000	109499
Spring lock washer	M 8	8.1 mm	14.8 mm	2 mm	1000	109500
Spring lock washer	M 10	10.2 mm	18.1 mm	2.2 mm	500	109501
Spring lock washer	M 12	12.2 mm	21.1 mm	2.5 mm	500	063796*
Spring lock washer	M 16	16.2 mm	27.4 mm	3.5 mm	500	063797*
Spring lock washer	M 20	20.2 mm	33.6 mm	4 mm	200	063798*
Spring lock washer	M 24	24.5 mm	40 mm	5 mm	100	063799*

* = The delivery time is 14 days

AGR: 01.273

INTERNAL/Approved (2019-03-22 14:16:00)

DIN 7980, spring steel zinc plated

1

Application Area

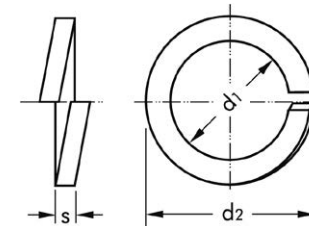
- Due to the smaller outer diameter than at the DIN 127, this spring washers are especially suitable for screws with small heads (for example, cylinder screws according to DIN 84, DIN 85 and DIN 912)
- The spring washers can also be used at the sinking of the screw

Characteristics

- Due to the axial suspension, the securing function is created (co-stressed retaining element with spring action)

Processing Information

- Only suitable for screws with a strength class of 5.8. At higher strength classes, Teckentrup lock washers should be used



DIN 7980, spring steel zinc plated						
Title	For screw Ø	Internal Ø	External Ø	Thickness material	PU Piece	Article No.
Spring lock washer	M 6	6.1 mm	9.9 mm	1.6 mm	500	039531
Spring lock washer	M 8	8.1 mm	12.7 mm	2 mm	500	039532
Spring lock washer	M 10	10.2 mm	16 mm	2.5 mm	200	039527
Spring lock washer	M 12	12.2 mm	18 mm	2.5 mm	200	039528
Spring lock washer	M 14	14.2 mm	21.1 mm	3 mm	100	039529
Spring lock washer	M 16	16.2 mm	24.4 mm	3.5 mm	100	039530

AGR: 01.277

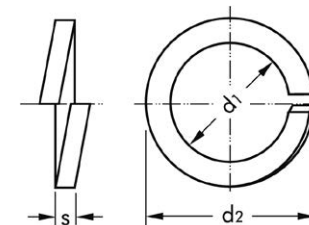
DIN 7980, stainless steel 1.4310 (A1)

Application Area

- Due to the smaller outer diameter than at the DIN 127, this spring washers are especially suitable for screws with small heads (for example, cylinder screws according to DIN 84, DIN 85 and DIN 912)
- The spring washers can also be used at the sinking of the screw

Characteristics

- Due to the axial suspension, the securing function is created (co-stressed retaining element with spring action)

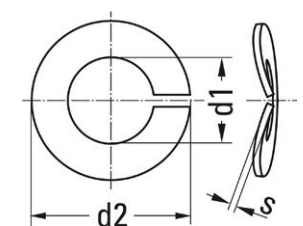


DIN 7980, stainless steel 1.4310 (A1)						
Title	For screw Ø	Internal Ø	External Ø	Thickness material	PU Piece	Article No.
Spring lock washer	M 3	3.1 mm	5.6 mm	1 mm	1000	097189*
Spring lock washer	M 3.5	3.6 mm	6.1 mm	1 mm	1000	097190*
Spring lock washer	M 4	4.1 mm	7 mm	1.2 mm	1000	097191*
Spring lock washer	M 5	5.1 mm	8.8 mm	1.6 mm	1000	097192*
Spring lock washer	M 6	6.1 mm	9.9 mm	1.6 mm	1000	097193*
Spring lock washer	M 8	8.1 mm	12.7 mm	2 mm	1000	097194*
Spring lock washer	M 10	10.2 mm	16 mm	2.5 mm	500	097196*
Spring lock washer	M 12	12.2 mm	18 mm	2.5 mm	500	097197*
Spring lock washer	M 14	14.2 mm	21.1 mm	3 mm	500	097198*
Spring lock washer	M 16	16.2 mm	24.4 mm	3.5 mm	200	097199*
Spring lock washer	M 18	18.2 mm	26.4 mm	3.5 mm	200	097200*
Spring lock washer	M 20	20.2 mm	30.6 mm	4.5 mm	100	097201*
Spring lock washer	M 24	24.5 mm	35.9 mm	5 mm	100	097202*
Spring lock washer	M 27	27.5 mm	38.9 mm	5 mm	100	097203*
Spring lock washer	M 30	30.5 mm	44.1 mm	6 mm	50	097204*

* = The delivery time is 14 days

AGR: 01.277

DIN 128, shape A, spring steel zinc plated



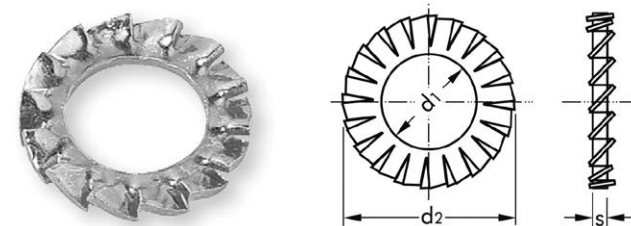
DIN 128, shape A, spring steel zinc plated						
Title	For screw Ø	Internal Ø	External Ø	Thickness material	PU Piece	Article No.
Spring lock washer	M 5	5.1 mm	9.2 mm	1 mm	100	128332
Spring lock washer	M 12	12.2 mm	21.1 mm	2.1 mm	100	027492

AGR: 01.279

DIN 6798, shape A, spring steel zinc plated

Characteristics

- Shape A = externally toothed



DIN 6798, shape A, spring steel zinc plated

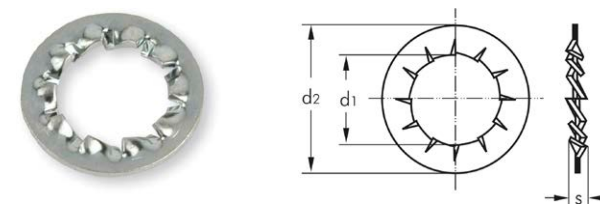
Title	For screw Ø	Internal Ø	External Ø	Thickness material	PU Piece	Article No.
Serrated lock washer	M 3	3.2 mm	6 mm	0.4 mm	100	002704
Serrated lock washer	M 4	4.3 mm	8 mm	0.5 mm	100	002712
Serrated lock washer	M 5	5.3 mm	10 mm	0.6 mm	100	002720
Serrated lock washer	M 6	6.4 mm	11 mm	0.7 mm	100	002739
Serrated lock washer	M 8	8.4 mm	15 mm	0.8 mm	100	002755
Serrated lock washer	M 10	10.5 mm	18 mm	0.9 mm	100	002763
Serrated lock washer	M 12	13 mm	20.5 mm	1 mm	100	002771
Serrated lock washer	M 14	15 mm	24 mm	1 mm	100	002780
Serrated lock washer	M 16	17 mm	26 mm	1.2 mm	100	002798

AGR: 01.241

DIN 6798, shape J, spring steel zinc plated

Characteristics

- Shape J = internally toothed



DIN 6798, shape J, spring steel zinc plated

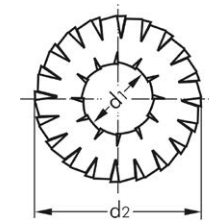
Title	For screw Ø	Internal Ø	External Ø	Thickness material	PU Piece	Article No.
Serrated lock washer	M 4	4.3 mm	8 mm	0.5 mm	100	002810
Serrated lock washer	M 5	5.3 mm	10 mm	0.6 mm	100	002828
Serrated lock washer	M 6	6.4 mm	11 mm	0.7 mm	100	002836
Serrated lock washer	M 8	8.4 mm	15 mm	0.8 mm	100	002852
Serrated lock washer	M 10	10.5 mm	18 mm	0.9 mm	100	002860
Serrated lock washer	M 12	13 mm	20.5 mm	1 mm	100	002879

AGR: 01.244

similar DIN 6798, spring steel zinc plated

Characteristics

- Mutually toothed



1

similar DIN 6798, spring steel zinc plated

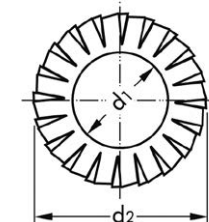
Title	For screw Ø	Internal Ø	External Ø	Thickness material	PU Piece	Article No.
Serrated lock washer	M 4	15.5 mm	8 mm	0.5 mm	100	002941
Serrated lock washer	M 5	5.1 mm	17.9 mm	0.8 mm	100	002950
Serrated lock washer	M 6	6.1 mm	18.2 mm	0.9 mm	100	002968
Serrated lock washer	M 8	8.2 mm	22.3 mm	1 mm	100	002984
Serrated lock washer	M 10	10.2 mm	26.1 mm	1.1 mm	100	002992

AGR: 01.246

DIN 6798, shape A, stainless steel A2

Characteristics

- Shape A = externally toothed



DIN 6798, shape A, stainless steel A2

Title	For screw Ø	Internal Ø	External Ø	Thickness material	PU Piece	Article No.
Serrated lock washer	M 2	2.2 mm	4.5 mm	0.3 mm	1000	097130*
Serrated lock washer	M 2.5	2.7 mm	5.5 mm	0.4 mm	1000	097131*
Serrated lock washer	M 3	3.2 mm	6 mm	0.4 mm	1000	932547*
Serrated lock washer	M 3.5	3.7 mm	7 mm	0.5 mm	1000	097132*
Serrated lock washer	M 4	4.3 mm	8 mm	0.5 mm	1000	932548*
Serrated lock washer	M 5	5.3 mm	10 mm	0.6 mm	1000	932549
Serrated lock washer	M 6	6.4 mm	11 mm	0.7 mm	1000	932550
Serrated lock washer	M 7	7.4 mm	12.5 mm	0.8 mm	1000	097133*

INTERNAL/Approved (2019-03-22 14:16:56)

Washers and rings

DIN 6798, shape A, stainless steel A2

Title	For screw Ø	Internal Ø	External Ø	Thickness material	PU Piece	Article No.
Serrated lock washer	M 8	8.4 mm	15 mm	0.8 mm	1000	932551
Serrated lock washer	M 10	10.5 mm	18 mm	0.9 mm	1000	932552*
Serrated lock washer	M 12	13 mm	20.5 mm	1 mm	500	014805*
Serrated lock washer	M 14	15 mm	24 mm	1 mm	500	580074*
Serrated lock washer	M 16	17 mm	26 mm	1.2 mm	500	020096*
Serrated lock washer	M 18	19 mm	30 mm	1.4 mm	200	022346*
Serrated lock washer	M 20	21 mm	33 mm	1.4 mm	200	022347*
Serrated lock washer	M 22	23 mm	36 mm	1.5 mm	200	097134*
Serrated lock washer	M 24	25 mm	38 mm	1.5 mm	200	097135*
Serrated lock washer	M 27	28 mm	44 mm	1.6 mm	100	097137*
Serrated lock washer	M 30	31 mm	48 mm	1.6 mm	100	097138*

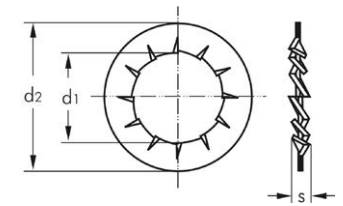
* = The delivery time is 14 days

AGR: 01.248

DIN 6798, shape J, stainless steel A2

Characteristics

- Shape J = internally toothed



1



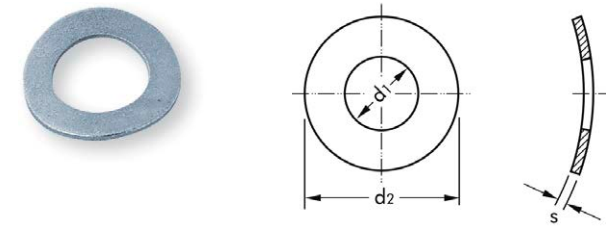
DIN 6798, shape J, stainless steel A2							
Title	For screw Ø	Internal Ø	External Ø	Thickness material	PU Piece	Article No.	
Serrated lock washer	M 2	2.2 mm	4.5 mm	0.3 mm	1000	097139*	
Serrated lock washer	M 2.5	2.7 mm	5.5 mm	0.4 mm	1000	097140*	
Serrated lock washer	M 3	3.2 mm	6 mm	0.4 mm	1000	097141*	
Serrated lock washer	M 3.5	3.7 mm	7 mm	0.5 mm	1000	097142*	
Serrated lock washer	M 4	4.3 mm	8 mm	0.5 mm	1000	097143*	
Serrated lock washer	M 5	5.3 mm	10 mm	0.6 mm	1000	097145	
Serrated lock washer	M 6	6.4 mm	11 mm	0.7 mm	1000	097146	
Serrated lock washer	M 7	7.4 mm	12.5 mm	0.8 mm	1000	097147*	
Serrated lock washer	M 8	8.4 mm	15 mm	0.8 mm	1000	097148	
Serrated lock washer	M 10	10.5 mm	18 mm	0.9 mm	1000	097149*	
Serrated lock washer	M 12	13 mm	20.5 mm	1 mm	500	097150*	
Serrated lock washer	M 14	15 mm	24 mm	1 mm	500	097151*	
Serrated lock washer	M 16	17 mm	26 mm	1.2 mm	500	097153*	
Serrated lock washer	M 18	19 mm	30 mm	1.4 mm	200	097154*	
Serrated lock washer	M 20	21 mm	33 mm	1.4 mm	200	097155*	
Serrated lock washer	M 22	23 mm	36 mm	1.5 mm	200	097156*	
Serrated lock washer	M 24	25 mm	38 mm	1.5 mm	200	097157*	
Serrated lock washer	M 27	28 mm	44 mm	1.6 mm	100	097158*	
Serrated lock washer	M 30	31 mm	48 mm	1.6 mm	100	097159*	

* = The delivery time is 14 days

AGR: 01.249

INTERNAL/Approved (2019-03-22 14:17:19)

DIN 137, shape A, spring steel zinc plated



Characteristics

- The axial suspension backup function is generated (mitverspanntes and resilient securing element)
- Form A = curved

DIN 137, shape A, spring steel zinc plated

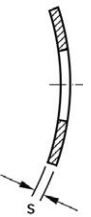
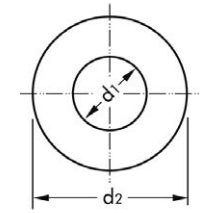
Title	For screw Ø	Internal Ø	External Ø	Thickness material	PU Piece	Article No.
Curved spring washer	M 4	4.3 mm	8 mm	0.5 mm	100	128354
Curved spring washer	M 6	6.4 mm	11 mm	0.5 mm	100	128356
Curved spring washer	M 8	8.4 mm	15 mm	0.5 mm	100	128358

AGR: 01.261

DIN 137, shape A, stainless steel 1.4310 (A1)

Characteristics

- The axial suspension backup function is generated (mitverspanntes and resilient securing element)
- Form A = curved



1



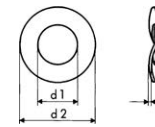
DIN 137, shape A, stainless steel 1.4310 (A1)

Title	For screw Ø	Internal Ø	External Ø	Thickness material	PU Piece	Article No.
Curved spring washer	M 1.7	1.8 mm	4 mm	0.25 mm	1000	096918*
Curved spring washer	M 1.8	1.9 mm	4 mm	0.25 mm	1000	096919*
Curved spring washer	M 2	2.2 mm	4.5 mm	0.3 mm	1000	096921*
Curved spring washer	M 2.5	2.8 mm	5.5 mm	0.3 mm	1000	096922*
Curved spring washer	M 3	3.2 mm	6 mm	0.4 mm	1000	096923*
Curved spring washer	M 3.5	3.7 mm	7 mm	0.4 mm	1000	096924*
Curved spring washer	M 4	4.3 mm	8 mm	0.5 mm	1000	096925*
Curved spring washer	M 5	5.3 mm	10 mm	0.5 mm	1000	096926*
Curved spring washer	M 6	6.4 mm	11 mm	0.5 mm	500	096927*
Curved spring washer	M 7	7.4 mm	12 mm	0.5 mm	500	096928*
Curved spring washer	M 8	8.4 mm	15 mm	0.5 mm	500	096929*
Curved spring washer	M 10	10.5 mm	18 mm	0.8 mm	500	096930*

* = The delivery time is 14 days

AGR: 01.261

DIN 137, shape B, spring steel zinc plated



Characteristics

- Shape B = wavy

DIN 137, shape B, spring steel zinc plated

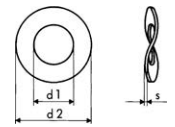
Title	For screw Ø	Internal Ø	External Ø	Thickness material	PU Piece	Article No.
Waved spring washer	M 4	4.3 mm	9 mm	0.5 mm	100	003247
Waved spring washer	M 5	5.3 mm	11 mm	0.5 mm	100	003255
Waved spring washer	M 6	6.4 mm	12 mm	0.5 mm	100	003263
Waved spring washer	M 8	8.4 mm	15 mm	0.8 mm	100	003280
Waved spring washer	M 10	10.5 mm	21 mm	1 mm	100	003298
Waved spring washer	M 12	13 mm	24 mm	1.2 mm	100	003301

AGR: 01.261

DIN 137, shape B, stainless steel 1.4310 (A1)

Characteristics

- The axial suspension backup function is generated (mitverspanntes and resilient securing element)
- Form B = curl



DIN 137, shape B, stainless steel 1.4310 (A1)

Title	For screw Ø	Internal Ø	External Ø	Thickness material	PU Piece	Article No.
Waved spring washer	M 3	3.2 mm	8 mm	0.5 mm	1000	096931*
Waved spring washer	M 4	4.3 mm	9 mm	0.5 mm	1000	096932*
Waved spring washer	M 5	5.3 mm	11 mm	0.5 mm	1000	096933*
Waved spring washer	M 6	6.4 mm	12 mm	0.5 mm	500	096934*
Waved spring washer	M 7	7.4 mm	14 mm	0.8 mm	500	096935*
Waved spring washer	M 8	8.4 mm	15 mm	0.8 mm	500	096936*
Waved spring washer	M 10	10.5 mm	21 mm	1 mm	500	096937*
Waved spring washer	M 12	13 mm	24 mm	1.2 mm	500	096939*
Waved spring washer	M 14	15 mm	28 mm	1.6 mm	200	096940*
Waved spring washer	M 16	17 mm	30 mm	1.6 mm	200	096941*
Waved spring washer	M 18	19 mm	34 mm	1.6 mm	200	096942*
Waved spring washer	M 20	21 mm	36 mm	1.6 mm	200	096943*
Waved spring washer	M 22	23 mm	40 mm	1.8 mm	100	096944*
Waved spring washer	M 24	25 mm	44 mm	1.8 mm	100	096945*

* = The delivery time is 14 days

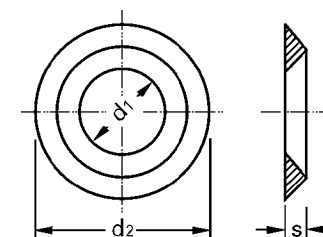
AGR: 01.261

Rosettes, brass black zinc plated

1

Application Area

- Pad for visible screw connections inside the vehicle, e.g. Dashboard, car interior lining

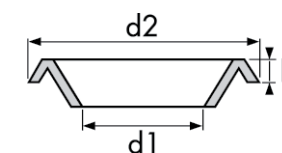
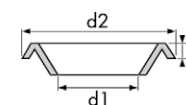


Rosettes, brass black zinc plated

Title	For screw Ø	Internal Ø	External Ø	Height	PU Piece	Article No.
Rosette	4.8	4.8 mm	12.7 mm	2.7 mm	100	020230
Rosette	5	5 mm	11 mm	2.5 mm	100	020222
Rosette	5	5 mm	12 mm	3 mm	100	807287
Rosette	6	6 mm	13 mm	3 mm	100	506060

AGR: 01.282

Rosettes, sunked, brass nickle plated



Rosettes, sunked, brass nickle plated

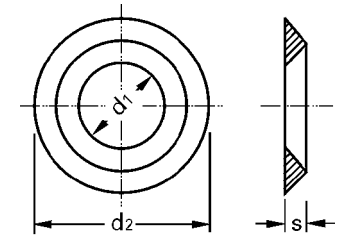
Title	For screw Ø	Internal Ø	External Ø	Height	PU Piece	Article No.
Rosette	4.2	4.2 mm	10 mm	2 mm	100	850917

AGR: 01.283

Rosettes, brass nickle plated

Application Area

- Pad for visible screw connections inside the vehicle, e.g. Dashboard, car interior lining



1

Rosettes, brass nickle plated

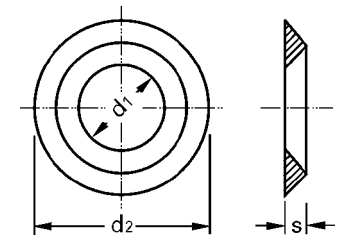
Title	For screw Ø	Internal Ø	External Ø	Height	PU Piece	Article No.
Rosette	4.8	4.8 mm	12.7 mm	2.7 mm	100	020184
Rosette	5	5 mm	11 mm	2.5 mm	100	020176
Rosette	5.5	6 mm	13 mm	2.9 mm	100	020192
Rosette	6.3	7 mm	15 mm	3.1 mm	100	020206

AGR: 01.283

Rosettes, stainless steel A4

Characteristics

- Full metal



Rosettes, stainless steel A4

Title	For screw Ø	Internal Ø	External Ø	Height	PU Piece	Article No.
Rosette	3	3.5 mm	9 mm	2 mm	200	097231*
Rosette	4	4.5 mm	11 mm	2.5 mm	200	097232*
Rosette	5	5.5 mm	14 mm	3 mm	200	097234
Rosette	6	7 mm	16 mm	3.5 mm	100	097235
Rosette	8	9 mm	22 mm	4.5 mm	100	097236
Rosette	10	11 mm	28 mm	5.5 mm	50	097237

* = The delivery time is 14 days

AGR: 01.284

INTERNAL/Approved (2019-03-22 14:18:03)

1

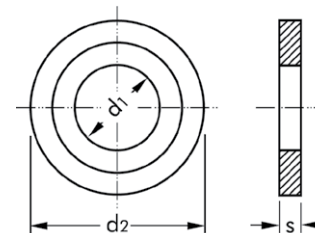
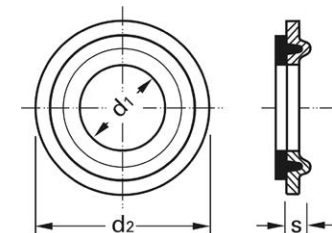
Sealing washers, sunked, stainless steel A2/ neoprene

Application Area

- Sealing of screw connections, which are permanently corrosion-resistant, weather-resistant, air-and waterproof

Characteristics

- With vulcanized neoprene sealing



Sealing washers, sunked, stainless steel A2/neoprene

Title	For screw Ø	Internal Ø	External Ø	Height	PU Piece	Article No.
Sealing washer	4.5	4.5 mm	15 mm	3 mm	500	003020*
Sealing washer	4.5	4.5 mm	20 mm	4 mm	500	003021

* = The delivery time is 30 days

AGR: 01.266

Clamp washers, spring steel plain

Clamp washers, spring steel plain

Title	shaft Ø	PU Piece	Article No.
Clamp washer	4 mm	100	817354
Clamp washer	5 mm	100	817392
Clamp washer	6 mm	100	506583
Clamp washer	8 mm	100	817439
Clamp washer	10 mm	100	817583

AGR: 01.264



DIN 434, stainless steel A2

Application Area

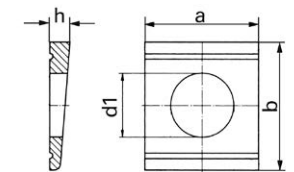
- For U-sections

Characteristics

- wedge shaped = tendency 8 %

Hints

- Length = a
- Width = b



1

DIN 434, stainless steel A2							
Title	For screw Ø	Internal Ø	Thickness material	Width	Length	PU Piece	Article No.
Wedge washer	M 8	9 mm	3.8 mm	22 mm	22 mm	50	096954
Wedge washer	M 10	11 mm	3.8 mm	22 mm	22 mm	50	096955
Wedge washer	M 12	13.5 mm	4.9 mm	30 mm	26 mm	25	096956
Wedge washer	M 16	17.5 mm	5.9 mm	36 mm	32 mm	25	096957
Wedge washer	M 20	22 mm	7 mm	44 mm	40 mm	25	096958*
Wedge washer	M 24	26 mm	8.5 mm	56 mm	56 mm	10	096959*

* = The delivery time is 14 days

AGR: 01.218

DIN 434, stainless steel A4

1

Application Area

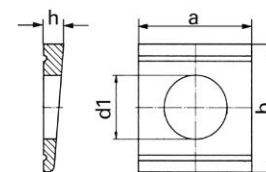
- For U-sections

Characteristics

- wedge shaped = tendency 8 %

Hints

- Length = a
- Width = b



DIN 434, stainless steel A4

Title	For screw Ø	Internal Ø	Thickness material	Width	Length	PU Piece	Article No.
Wedge washer	M 8	9 mm	3.8 mm	22 mm	22 mm	50	096960*
Wedge washer	M 10	11 mm	3.8 mm	22 mm	22 mm	50	096961*
Wedge washer	M 12	13.5 mm	4.9 mm	30 mm	26 mm	25	096962*
Wedge washer	M 16	17.5 mm	5.9 mm	36 mm	32 mm	25	096963*
Wedge washer	M 20	22 mm	7 mm	44 mm	40 mm	25	096964*
Wedge washer	M 22	24 mm	8 mm	50 mm	44 mm	10	096965*
Wedge washer	M 24	26 mm	8.5 mm	56 mm	56 mm	10	096966*

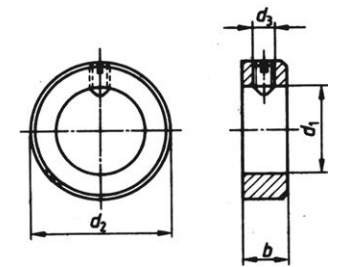
* = The delivery time is 14 days

AGR: 01.218

DIN 705, shape A, stainless steel A2

Characteristics

- Form A = with threaded pin DIN 914
- light series



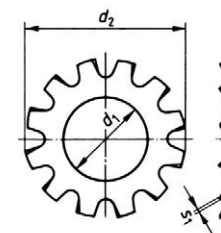
d1	d3	Setscrew
5 mm	M 3	M 3 x 4
6 mm	M 4	M 4 x 5
8 mm	M 4	M 4 x 6
10 mm	M 5	M 5 x 8
12, 15, 16, 20 mm	M 6	M 6 x 8
25, 30 mm	M 8	M 8 x 10
40 mm	M 10	M 10 x 16

DIN 705, shape A, stainless steel A2					
Title	Internal Ø	External Ø	Thickness material	PU Piece	Article No.
Adjusting ring	5 mm	10 mm	6 mm	100	097067*
Adjusting ring	6 mm	12 mm	8 mm	100	097068*
Adjusting ring	8 mm	16 mm	8 mm	100	097069*
Adjusting ring	10 mm	20 mm	10 mm	50	097070
Adjusting ring	12 mm	22 mm	12 mm	50	097072
Adjusting ring	15 mm	25 mm	12 mm	50	097073*
Adjusting ring	16 mm	28 mm	12 mm	50	097074*
Adjusting ring	20 mm	32 mm	14 mm	25	097075*
Adjusting ring	25 mm	40 mm	16 mm	25	097076*
Adjusting ring	30 mm	45 mm	16 mm	25	097077*
Adjusting ring	40 mm	63 mm	18 mm	10	097078*

* = The delivery time is 14 days

AGR: 01.298

DIN 6797, shape A, spring steel zinc plated



Characteristics

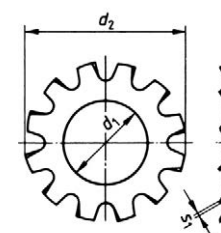
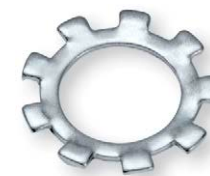
- The axial suspension backup function is generated (mitverspanntes and resilient securing element)
- Form A = outside serrated

DIN 6797, shape A, spring steel zinc plated

Title	For screw Ø	Internal Ø	External Ø	Thickness material	PU Piece	Article No.
Toothed lock washer	M 4	4.3 mm	8 mm	0.5 mm	500	117892
Toothed lock washer	M 6	6.4 mm	11 mm	0.7 mm	500	117894
Toothed lock washer	M 8	8.4 mm	15 mm	0.8 mm	250	117895

AGR: 01.269

DIN 6797, shape A, stainless steel A2



Characteristics

- The axial suspension backup function is generated (mitverspanntes and resilient securing element)
- Form A = outside serrated



DIN 6797, shape A, stainless steel A2

Title	For screw Ø	Internal Ø	External Ø	Thickness material	PU Piece	Article No.
Toothed lock washer	M 2	2.2 mm	4.5 mm	0.3 mm	1000	097099*
Toothed lock washer	M 2.5	2.7 mm	5.5 mm	0.4 mm	1000	097100*
Toothed lock washer	M 3	3.2 mm	6 mm	0.4 mm	1000	117902*
Toothed lock washer	M 4	4.3 mm	8 mm	0.5 mm	1000	117903*
Toothed lock washer	M 5	5.3 mm	10 mm	0.6 mm	1000	117904*
Toothed lock washer	M 6	6.4 mm	11 mm	0.7 mm	1000	117905*
Toothed lock washer	M 7	7.4 mm	12.5 mm	0.8 mm	1000	097102*
Toothed lock washer	M 8	8.4 mm	15 mm	0.8 mm	1000	117906*
Toothed lock washer	M 10	10.5 mm	18 mm	0.9 mm	1000	117907*

INTERNAL/Approved (2019-03-22 14:18:40)

DIN 6797, shape A, stainless steel A2

Title	For screw Ø	Internal Ø	External Ø	Thickness material	PU Piece	Article No.
Toothed lock washer	M 12	13 mm	20.5 mm	1 mm	500	117908*
Toothed lock washer	M 14	15 mm	24 mm	1 mm	500	097103*
Toothed lock washer	M 16	17 mm	26 mm	1.2 mm	500	117909*
Toothed lock washer	M 18	19 mm	30 mm	1.4 mm	200	097104*
Toothed lock washer	M 20	21 mm	33 mm	1.4 mm	200	117910*
Toothed lock washer	M 22	23 mm	36 mm	1.5 mm	200	097105*
Toothed lock washer	M 24	25 mm	38 mm	1.5 mm	200	097106*
Toothed lock washer	M 27	28 mm	44 mm	1.6 mm	100	097107*
Toothed lock washer	M 30	31 mm	48 mm	1.6 mm	100	097108*

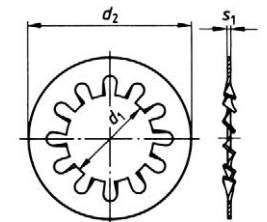
* = The delivery time is 14 days

AGR: 01.269

DIN 6797, shape J, stainless steel A2

Characteristics

- The axial suspension backup function is created (with strained and resilient securing element)
- Form J = Inner Teeth



DIN 6797, shape J, stainless steel A2

Title	For screw Ø	Internal Ø	External Ø	Thickness material	PU Piece	Article No.
Toothed lock washer	M 2	2.2 mm	4.5 mm	0.3 mm	1000	097109*
Toothed lock washer	M 2.5	2.7 mm	5.5 mm	0.4 mm	1000	097111*
Toothed lock washer	M 3	3.2 mm	6 mm	0.4 mm	1000	097112*
Toothed lock washer	M 3.5	3.7 mm	7 mm	0.5 mm	1000	097113*
Toothed lock washer	M 4	4.3 mm	8 mm	0.5 mm	1000	097114*
Toothed lock washer	M 5	5.3 mm	10 mm	0.6 mm	1000	097115*
Toothed lock washer	M 6	6.4 mm	11 mm	0.7 mm	1000	097116*
Toothed lock washer	M 7	7.4 mm	12.5 mm	0.8 mm	1000	097117*

INTERNAL/Approved (2019-03-22 14:18:45)

Washers and rings

DIN 6797, shape J, stainless steel A2

Title	For screw Ø	Internal Ø	External Ø	Thickness material	PU Piece	Article No.
Toothed lock washer	M 8	8.4 mm	15 mm	0.8 mm	1000	097118*
Toothed lock washer	M 10	10.5 mm	18 mm	0.9 mm	1000	097119*
Toothed lock washer	M 12	13 mm	20.5 mm	1 mm	500	097120*
Toothed lock washer	M 14	15 mm	24 mm	1 mm	500	097121*
Toothed lock washer	M 16	17 mm	26 mm	1.2 mm	500	097122*
Toothed lock washer	M 18	19 mm	30 mm	1.4 mm	200	097123*
Toothed lock washer	M 20	21 mm	33 mm	1.4 mm	200	097124*
Toothed lock washer	M 22	23 mm	36 mm	1.5 mm	200	097125*
Toothed lock washer	M 24	25 mm	38 mm	1.5 mm	200	097126*
Toothed lock washer	M 27	28 mm	44 mm	1.6 mm	100	097127*
Toothed lock washer	M 30	31 mm	48 mm	1.6 mm	100	097129*

* = The delivery time is 14 days

AGR: 01.269

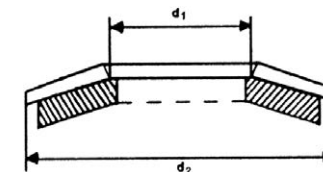
Sealing washers, stainless steel A2/EPDM

Application Area

- For hexagon head screws

Characteristics

- With EPDM coating



1

Sealing washers, stainless steel A2/EPDM

Title	Internal Ø	External Ø	Height	PU Piece	Article No.
Sealing washer	6.7 mm	16 mm	2.8 mm	200	097226
Sealing washer	6.7 mm	19 mm	2.8 mm	1000	097227*
Sealing washer	6.7 mm	22 mm	2.8 mm	1000	097228
Sealing washer	6.7 mm	25 mm	2.8 mm	1000	097229*
Sealing washer	6.7 mm	29 mm	2.8 mm	500	097230*

* = The delivery time is 14 days

AGR: 01.266

Ornamental washers, steel plain/zinc plated

Application Area

- For screws M 16

Characteristics

- 159447-galvanized
- 159448-black



Ornamental washers, steel plain/zinc plated

Title	For screw Ø	Internal Ø	Thickness material	PU Piece	Article No.
Ornamental washer	M 16	17 mm	4 mm	50	159448
Ornamental washer	M 16	17 mm	4 mm	50	159447

AGR: 01.265

INTERNAL/Approved (2019-03-22 14:19:07)

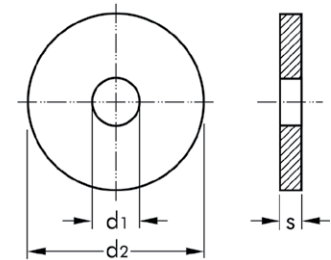
Washers, rubber black

Characteristics

- Moderate to poor UV and weather resistance

Hints

- Article-No. 009113 especially for Opel vehicles.



Washers, rubber black

Title	For screw Ø	Internal Ø	External Ø	Thickness material	PU Piece	Article No.
Washer	M 5	5.3 mm	20 mm	2 mm	100	009121
Washer	M 8	8.4 mm	25 mm	4 mm	100	009105

AGR: 01.266

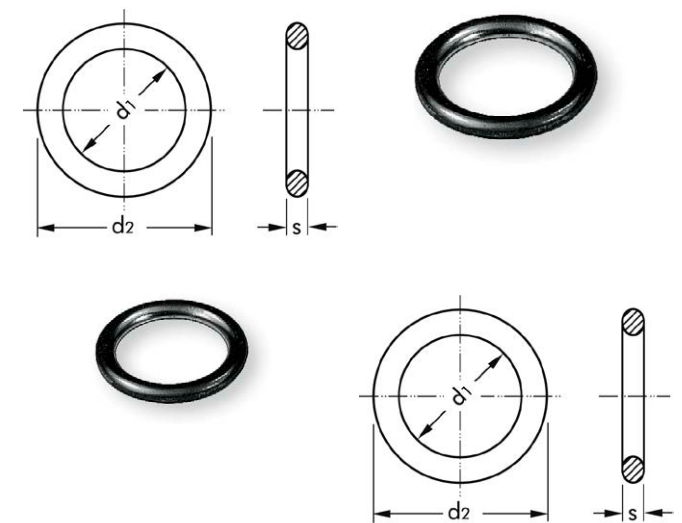
Rubber O-rings, Inch

Application Area

- Sealing of moving or stationary machine parts

Characteristics

- Nitrile (NBR 70), temperature resistant from -30 °C to +130 °C, resistant against gasolines, oils, grease, hot water, steam, compressed air and weak acids



Title	Internal Ø	Internal Ø	External Ø	Thickness material	PU Piece	Article No.
Inch rubber O-ring	5/32 "	3.69 mm	7.25 mm	1.78 mm	25	001767
Inch rubber O-ring	3/16 "	4.47 mm	8.03 mm	1.78 mm	25	001775
Inch rubber O-ring	7/32 "	5.28 mm	8.84 mm	1.78 mm	25	001783
Inch rubber O-ring	1/4 "	6.07 mm	9.63 mm	1.78 mm	25	001791
Inch rubber O-ring	5/16 "	7.66 mm	11.22 mm	1.78 mm	25	001805
Inch rubber O-ring	3/8 "	9.19 mm	14.43 mm	2.62 mm	25	001821
Inch rubber O-ring	3/8 "	9.25 mm	12.81 mm	1.78 mm	25	001813
Inch rubber O-ring	7/16 "	10.78 mm	16.02 mm	2.62 mm	25	001830
Inch rubber O-ring	1/2 "	12.37 mm	17.61 mm	2.62 mm	25	001848
Inch rubber O-ring	9/16 "	13.95 mm	19.19 mm	2.62 mm	25	001856
Inch rubber O-ring	5/8 "	15.54 mm	20.78 mm	2.62 mm	25	001864
Inch rubber O-ring	11/16 "	17.13 mm	22.37 mm	2.62 mm	25	001872
Inch rubber O-ring	3/4 "	18.64 mm	25.7 mm	3.53 mm	25	001899
Inch rubber O-ring	3/4 "	18.72 mm	23.96 mm	2.62 mm	25	001880
Inch rubber O-ring	13/16 "	20.22 mm	27.28 mm	3.53 mm	25	001902
Inch rubber O-ring	15/16 "	23.4 mm	30.46 mm	3.53 mm	25	001910
Inch rubber O-ring	1 "	25 mm	32.06 mm	3.53 mm	25	001929
Inch rubber O-ring	1 1/6 "	26.57 mm	33.63 mm	3.53 mm	25	001937
Inch rubber O-ring	1 1/8 "	28.17 mm	35.23 mm	3.53 mm	25	001945
Inch rubber O-ring	1 1/4 "	31.34 mm	38.4 mm	3.53 mm	25	001953

INTERNAL/Approved (2019-03-22 14:19:19)

1

Title	Internal Ø	Internal Ø	External Ø	Thickness material	PU Piece	Article No.
Inch rubber O-ring	1 3/8 "	34.52 mm	41.58 mm	3.53 mm	25	001961
Inch rubber O-ring	1 7/16 "	36.1 mm	43.16 mm	3.53 mm	25	001970
Inch rubber O-ring	1 1/2 "	37.47 mm	48.15 mm	5.34 mm	25	001988
Inch rubber O-ring	1 5/8 "	40.65 mm	51.33 mm	5.34 mm	25	001996

AGR: 01.622

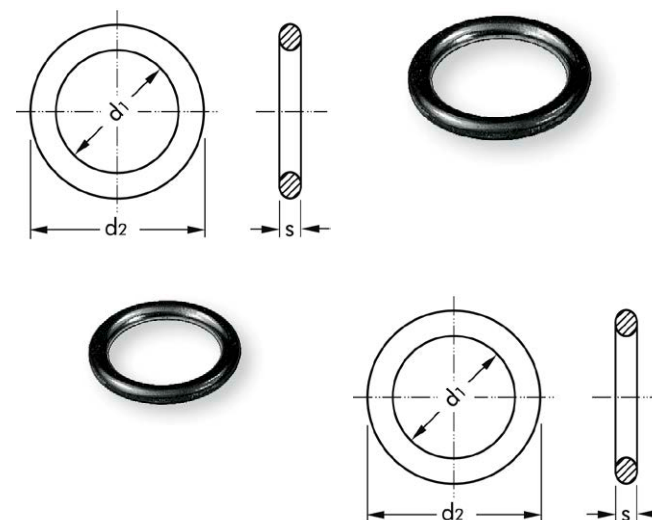
Rubber O-rings, metric

Application Area

- Sealing of moving or stationary machine parts

Characteristics

- Nitrile (NBR 70), temperature resistant from -30° C to 130° C, resistant against gasolines, oils, grease, hot water, steam, compressed air and weak acids



Rubber O-rings, metric						
Title	Internal Ø	External Ø	Thickness material	PU Piece	Article No.	
Rubber O-ring	3 mm	7 mm	2 mm	100	122051	
Rubber O-ring	4 mm	8 mm	2 mm	100	122052	
Rubber O-ring	5 mm	9 mm	2 mm	100	122053	
Rubber O-ring	6 mm	10 mm	2 mm	100	122054	
Rubber O-ring	7 mm	11 mm	2 mm	100	122055	
Rubber O-ring	8 mm	12 mm	2 mm	100	122056	
Rubber O-ring	10 mm	15 mm	2.5 mm	100	122057	
Rubber O-ring	12 mm	17 mm	2.5 mm	100	122058	
Rubber O-ring	14 mm	19 mm	2.5 mm	100	122059	
Rubber O-ring	15 mm	20 mm	2.5 mm	100	122060	
Rubber O-ring	17 mm	22 mm	2.5 mm	100	122061	
Rubber O-ring	18 mm	24 mm	3 mm	100	122063	
Rubber O-ring	19 mm	24 mm	2.5 mm	100	122062	

INTERNAL/Approved (2019-03-22 14:19:38)

Rubber O-rings, metric					
Title	Internal Ø	External Ø	Thickness material	PU Piece	Article No.
Rubber O-ring	20 mm	26 mm	3 mm	100	122064
Rubber O-ring	22 mm	28 mm	3 mm	100	122065
Rubber O-ring	24 mm	30 mm	3 mm	100	122066
Rubber O-ring	25 mm	31 mm	3 mm	100	122067
Rubber O-ring	28 mm	34 mm	3 mm	100	122069
Rubber O-ring	30 mm	36 mm	3 mm	100	122070
Rubber O-ring	34 mm	40 mm	3 mm	100	122071
Rubber O-ring	36 mm	42 mm	3 mm	100	122072

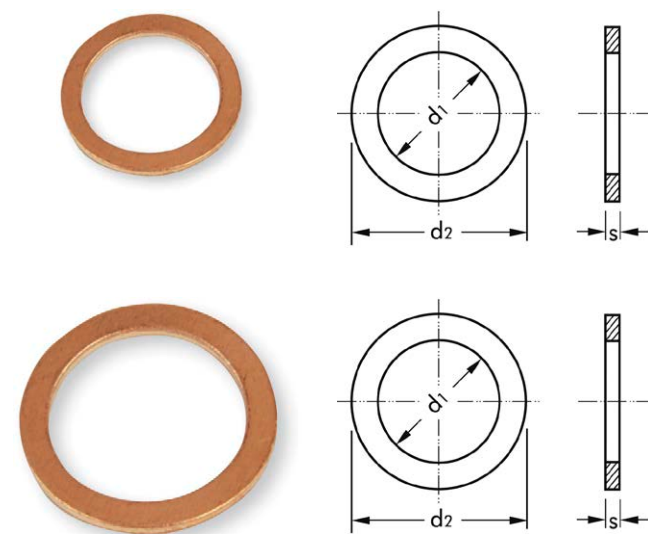
AGR: 01.620

1

Copper sealing rings DIN 7603, shape A

Characteristics

- Form A = flat seal
Heat resistant up to 300°C



Copper sealing rings DIN 7603, shape A

Title	Nominal size	Internal Ø	External Ø	Thickness material	PU Piece	Article No.
Copper sealing ring	6 x 10 mm	6.2 mm	9.9 mm	1 mm	100	000558
Copper sealing ring	6 x 12 mm	6.2 mm	11.9 mm	1 mm	100	000566
Copper sealing ring	8 x 12 mm	8.2 mm	11.9 mm	1 mm	100	000574
Copper sealing ring	8 x 14 mm	8.2 mm	13.9 mm	1 mm	100	000582
Copper sealing ring	8 x 16 mm	8.2 mm	15.9 mm	1 mm	100	000590
Copper sealing ring	10 x 13.5 mm	10.2 mm	13.4 mm	1 mm	100	027536
Copper sealing ring	10 x 14 mm	10.2 mm	13.9 mm	1 mm	100	000809
Copper sealing ring	10 x 16 mm	10.2 mm	15.9 mm	1 mm	100	000817
Copper sealing ring	10 x 16 mm	10.2 mm	15.9 mm	1.5 mm	100	876436
Copper sealing ring	11 x 16 mm	11.2 mm	15.9 mm	1.5 mm	100	800219
Copper sealing ring	12 x 16 mm	12.2 mm	15.9 mm	1.5 mm	100	000604
Copper sealing ring	12 x 18 mm	12.2 mm	17.9 mm	1.5 mm	100	000833
Copper sealing ring	12 x 20 mm	12.2 mm	19.9 mm	1.5 mm	100	506826
Copper sealing ring	12 x 22 mm	12.2 mm	21.9 mm	1.5 mm	100	800233
Copper sealing ring	13 x 20 mm	13.2 mm	19.9 mm	1.5 mm	100	506850
Copper sealing ring	14 x 18 mm	14.2 mm	17.9 mm	1.5 mm	100	000612
Copper sealing ring	14 x 20 mm	14.2 mm	19.9 mm	1.5 mm	100	000620
Copper sealing ring	14 x 22 mm	14.2 mm	21.9 mm	1.5 mm	100	000639
Copper sealing ring	15 x 20 mm	15.2 mm	19.9 mm	1.5 mm	100	800264

INTERNAL/Approved (2019-03-22 14:20:26)

Copper sealing rings DIN 7603, shape A						
Title	Nominal size	Internal Ø	External Ø	Thickness material	PU Piece	Article No.
Copper sealing ring	16 x 20 mm	16.2 mm	19.9 mm	1.5 mm	100	000647
Copper sealing ring	16 x 22 mm	16.2 mm	21.9 mm	1.5 mm	100	000825
Copper sealing ring	16 x 24 mm	16.2 mm	23.9 mm	1.5 mm	100	000655
Copper sealing ring	17 x 21 mm	17.2 mm	20.9 mm	1.5 mm	100	730300
Copper sealing ring	17 x 23 mm	17.2 mm	22.9 mm	1.5 mm	100	800288
Copper sealing ring	17 x 24 mm	17.2 mm	23.9 mm	1.5 mm	100	800295
Copper sealing ring	18 x 22 mm	18.2 mm	21.9 mm	1.5 mm	100	000663
Copper sealing ring	18 x 24 mm	18.2 mm	23.9 mm	1.5 mm	100	000671
Copper sealing ring	18 x 26 mm	18.2 mm	25.9 mm	1.5 mm	100	005489
Copper sealing ring	19 x 26 mm	19.2 mm	25.9 mm	1.5 mm	100	800301
Copper sealing ring	20 x 24 mm	20.2 mm	23.9 mm	1.5 mm	100	000680
Copper sealing ring	20 x 26 mm	20.2 mm	25.9 mm	1.5 mm	100	000698
Copper sealing ring	21 x 26 mm	21.2 mm	25.9 mm	1.5 mm	100	015303
Copper sealing ring	21 x 27 mm	21.2 mm	26.9 mm	1.5 mm	100	800318
Copper sealing ring	22 x 27 mm	22.2 mm	26.9 mm	1.5 mm	100	000701
Copper sealing ring	22 x 29 mm	22.2 mm	28.9 mm	1.5 mm	100	000710
Copper sealing ring	24 x 29 mm	24.2 mm	28.9 mm	2 mm	100	000728
Copper sealing ring	24 x 32 mm	24.2 mm	31.9 mm	2 mm	100	000736
Copper sealing ring	26 x 32 mm	26.2 mm	31.9 mm	2 mm	100	000744
Copper sealing ring	26 x 34 mm	26.2 mm	33.9 mm	2 mm	100	000752
Copper sealing ring	27 x 32 mm	27.2 mm	31.9 mm	2 mm	100	015305
Copper sealing ring	28 x 34 mm	28.2 mm	33.9 mm	2 mm	100	000760
Copper sealing ring	30 x 36 mm	30.2 mm	35.9 mm	2 mm	100	000787
Copper sealing ring	32 x 38 mm	32.2 mm	37.9 mm	2 mm	100	000795
Copper sealing ring	38 x 44 mm	38.2 mm	43.9 mm	2 mm	100	800332
Copper sealing ring	42 x 49 mm	42.2 mm	48.9 mm	2 mm	50	730386

AGR: 01.601 / 01.641

Related Products

	PU Amount	Article No.
Oil Drain Plug BMW M 12x1,5x18	25	165180
Oil Drain Plug Alfa Romeo M18x1,5x27	10	005439

INTERNAL/Approved (2019-03-22 14:21:07)

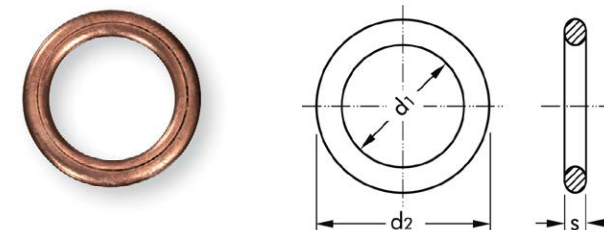
1 Copper sealing rings (filler rings) DIN 7603, shape C

Characteristics

- Form C= fill seal
- Heat resistant up to 300 ° C, asbestos-free

Hints

- Filler consisting of high-temperature resistant fiber offcut



Copper sealing rings (filler rings) DIN 7603, shape C

Title	Nominal size	Internal Ø	External Ø	Thickness material	PU Piece	Article No.
Copper sealing ring	6 x 10 mm	6.2 mm	9.9 mm	1.5 mm	100	413879
Copper sealing ring	8 x 12 mm	8.2 mm	11.9 mm	1.5 mm	100	413887
Copper sealing ring	8 x 14 mm	8.2 mm	13.9 mm	1.5 mm	100	413895
Copper sealing ring	10 x 14 mm	10.2 mm	13.9 mm	1.5 mm	100	413909
Copper sealing ring	10 x 16 mm	10.2 mm	15.9 mm	1.5 mm	100	413917
Copper sealing ring	12 x 16 mm	12.2 mm	15.9 mm	2 mm	100	413925
Copper sealing ring	12 x 18 mm	12.2 mm	17.9 mm	2 mm	100	413933
Copper sealing ring	14 x 18 mm	14.2 mm	17.9 mm	2 mm	100	413941
Copper sealing ring	14 x 20 mm	14.2 mm	19.9 mm	2 mm	100	413950
Copper sealing ring	14 x 21 mm	14.2 mm	20.9 mm	2 mm	100	167661
Copper sealing ring	16 x 20 mm	16.2 mm	19.9 mm	2 mm	100	413968
Copper sealing ring	16 x 22 mm	16.2 mm	21.9 mm	2 mm	100	413976
Copper sealing ring	18 x 24 mm	18.2 mm	23.9 mm	2 mm	100	414000

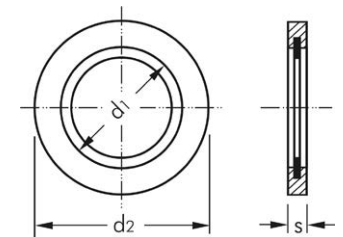
AGR: 01.602

Related Products

	PU Amount	Article No.
Oil Drain Plug PSA M 14x1,25x13	10	005430

Steel/rubber sealing rings

- Fast and simple assembly
- Reusable
- Replace different other sealing rings
- Deformation of the sealing lip is exactly predefined



1

Application Area

- Used as universally sealing for screwed fastening

Characteristics

- Resistant to mineral oils, petrol, gas and water, pressure resistant up to max. 300 bar, temperature resistant from -30 ° C to 120 ° C, rubber material: NBR rubber, backing material: yellow zinc plated steel

Processing Information

- It is advisable to a professional assembly to provide a centering reduction for the sealing plate to avoid an eccentric situation of the sealing process.

Steel/rubber sealing rings						
Title	Nominal size	Internal Ø	External Ø	Thickness material	PU Piece	Article No.
Steel/rubber sealing ring	6 x 11 mm	6.7 mm	11 mm	1 mm	50	765147
Steel/rubber sealing ring	8 x 13 mm	8.7 mm	13 mm	1 mm	50	778150
Steel/rubber sealing ring	10 x 16 mm	10.7 mm	16 mm	1.5 mm	50	778168
Steel/rubber sealing ring	12 x 18 mm	12.7 mm	18 mm	1.5 mm	50	106400
Steel/rubber sealing ring	14 x 21 mm	14.7 mm	21 mm	1.5 mm	50	106401
Steel/rubber sealing ring	16 x 24 mm	16.7 mm	24 mm	1.5 mm	50	936773
Steel/rubber sealing ring	18 x 26 mm	18.7 mm	26 mm	1.5 mm	50	106404
Steel/rubber sealing ring	20 x 28 mm	20.7 mm	28 mm	1.5 mm	50	106405
Steel/rubber sealing ring	22 x 30 mm	22.7 mm	30 mm	2 mm	50	778141
Steel/rubber sealing ring	24 x 32 mm	24.7 mm	32 mm	2 mm	50	778176
Steel/rubber sealing ring	26 x 35 mm	26.7 mm	35 mm	2 mm	25	778184
Steel/rubber sealing ring	28 x 36 mm	28.7 mm	36 mm	2 mm	25	778192
Steel/rubber sealing ring	30 x 39 mm	30.7 mm	39 mm	2 mm	25	778206

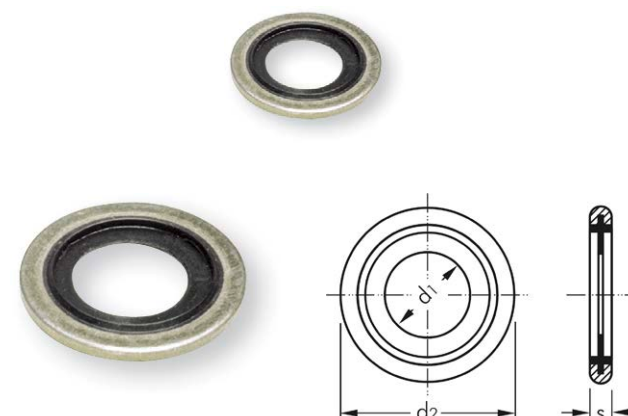
AGR: 01.630

Steel/rubber sealing rings, with lip

1

Characteristics

- Resistant to mineral oil, petrol, gas and water, pressure resistant up to max. 300 from -30 ° C to + 120 ° C, Material Rubber bar, temperature resistant: NBR elastomer, carrier material: steel galvanized, yellow



Steel/rubber sealing rings, with lip					
Title	Internal Ø	External Ø	Thickness material	PU Piece	Article No.
Steel/rubber sealing ring	13 mm	24 mm	1.5 mm	50	141696

AGR: 01.630

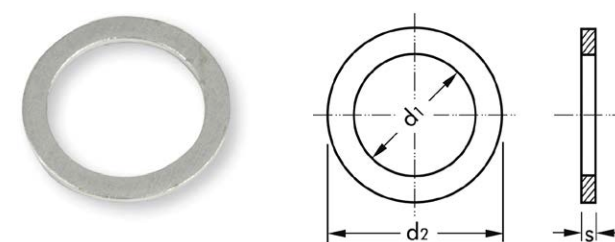
Related Products

	PU Amount	Article No.
Oil Drain Plug Ford/Land Rover M 14x1,5x16 blanc, black	25	112276
Oil Drain Plug Mitsubishi/Renault M 16x1,5x12	10	112264

Aluminium sealing rings DIN 7603, shape A

Characteristics

- Form A = flat seal
Heat resistant up to 200°C



Aluminium sealing rings DIN 7603, shape A						
Title	Nominal size	Internal Ø	External Ø	Thickness material	PU Piece	Article No.
Aluminium sealing ring	4 x 8 mm	4.2 mm	7.9 mm	1 mm	100	001171
Aluminium sealing ring	5 x 9 mm	5.2 mm	8.9 mm	1 mm	100	001180
Aluminium sealing ring	6 x 10 mm	6.2 mm	9.9 mm	1 mm	100	001198
Aluminium sealing ring	6 x 12 mm	6.2 mm	11.9 mm	1 mm	100	001201
Aluminium sealing ring	8 x 12 mm	8.2 mm	11.9 mm	1 mm	100	001210
Aluminium sealing ring	8 x 14 mm	8.2 mm	13.9 mm	1 mm	100	001228
Aluminium sealing ring	10 x 14 mm	10.2 mm	13.9 mm	1 mm	100	001236

INTERNAL/Approved (2019-03-22 14:22:12)

Aluminium sealing rings DIN 7603, shape A						
Title	Nominal size	Internal Ø	External Ø	Thickness material	PU Piece	Article No.
Aluminium sealing ring	10 x 16 mm	10.2 mm	15.9 mm	1 mm	100	800394
Aluminium sealing ring	12 x 16 mm	12.2 mm	15.9 mm	1.5 mm	100	001244
Aluminium sealing ring	12 x 18 mm	12.2 mm	17.9 mm	1.5 mm	100	001252
Aluminium sealing ring	13 x 18 mm	13.2 mm	17.9 mm	1.5 mm	100	108407
Aluminium sealing ring	14 x 18 mm	14.2 mm	17.9 mm	1.5 mm	100	001260
Aluminium sealing ring	14 x 20 mm	14.2 mm	19.9 mm	1.5 mm	100	001279
Aluminium sealing ring	16 x 22 mm	16.2 mm	21.9 mm	1.5 mm	100	001287
Aluminium sealing ring	18 x 22 mm	18.2 mm	21.9 mm	1.5 mm	100	001295
Aluminium sealing ring	18 x 24 mm	18.2 mm	23.9 mm	1.5 mm	100	001309
Aluminium sealing ring	20 x 24 mm	20.2 mm	23.9 mm	1.5 mm	100	001317
Aluminium sealing ring	20 x 26 mm	20.2 mm	25.9 mm	1.5 mm	100	001325
Aluminium sealing ring	22 x 27 mm	22.2 mm	26.9 mm	1.5 mm	100	001333
Aluminium sealing ring	22 x 29 mm	22.2 mm	28.9 mm	1.5 mm	50	001341
Aluminium sealing ring	24 x 30 mm	24.2 mm	29.9 mm	2 mm	100	001350
Aluminium sealing ring	26 x 32 mm	26.2 mm	31.9 mm	2 mm	100	001376

AGR: 01.600

Related Products

	PU Amount	Article No.
Oil Drain Plug BMW M 12x1,5x18	25	165180
Oil Drain Plug BMW M 12x1,5x10,5	10	109723

Rubber sealing ring 13x22x3

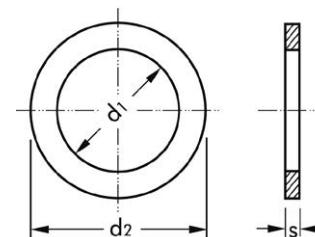
1

Hints

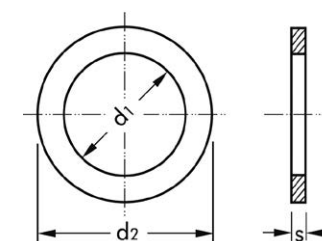
- Suitable oil drain screw:
PSA (Citroen/Peugeot) & Ford & Jaguar & Land Rover & Mazda & Volvo: Art. 165182

Technical Data

Material	Rubber
Surface protection	-



Art. 165179 (PSA / Ford / Jaguar / Land Rover / Mazda / Volvo)



Art. 165179 (PSA / Ford / Jaguar / Land Rover / Mazda / Volvo)

Rubber sealing ring 13x22x3						
Title	Internal Ø	External Ø	Thickness material	Manufacturer and OEM	PU Piece	Article No.
Rubber sealing ring	13 mm	22 mm	3 mm	PSA (Citroen, Peugeot): - Ford: 1005593 Jaguar: - Land Rover: - Mazda: - Volvo: -	50	165182

AGR: 01.641

Related Products

PU Amount Article No.

INTERNAL/Approved (2019-03-22 14:22:49)

Rubber sealing ring 11x21x2.5

Hints

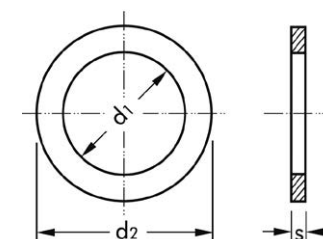
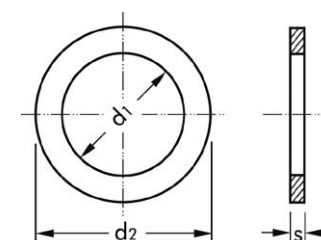
- Suitable oil drain screw:
Alfa Romeo & Chevrolet & Fiat & Ford & Jaguar & Land Rover & Opel / Vauxhall & Saab: Art. 171338

Technical Data

Material	Rubber
Surface protection	-



Art. 171338 (Alfa Romeo / Chevrolet / Fiat / Ford / Jaguar / Land Rover / Opel / Vauxhall / Saab)



Art. 171338 (Alfa Romeo / Chevrolet / Fiat / Ford / Jaguar / Land Rover / Opel / Vauxhall / Saab)

Rubber sealing ring 11x21x2.5

Title	Internal Ø	External Ø	Thickness material	Manufacturer and OEM	PU Piece	Article No.

<STEPREF A="PlannedDelivTime-productText" DB="1" />
<STEPREF A="ARTICLE_GROUP_CALC" DB="1" />

INTERNAL/Approved (2019-03-22 14:22:52)

Copper sealing ring 10x21x1.5

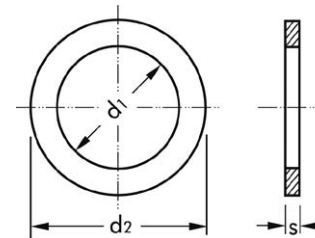
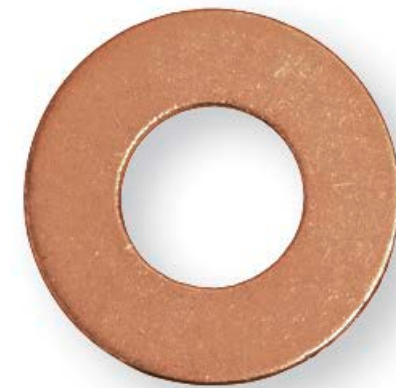
1

Hints

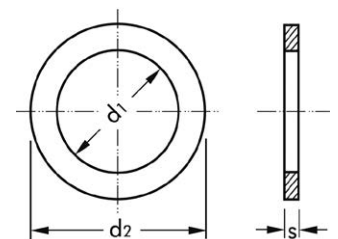
- Suitable oil drain screw:
PSA (Citroen/Peugeot) & Ford & Land Rover & MINI & Mazda & Renault & Suzuki & Toyota & Volvo: Art. 5429

Technical Data

Material	Copper
Surface protection	-



Art. 5429 (PSA / Ford / Land Rover / MINI / Mazda / Renault / Suzuki / Toyota / Volvo)



Art. 5429 (PSA / Ford / Land Rover / MINI / Mazda / Renault / Suzuki / Toyota / Volvo)

INTERNAL/Approved (2019-03-22 14:22:58)

Rubber sealing ring 18x22x2

Hints

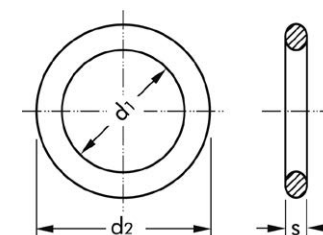
- Suitable oil drain screw
BMW & Chevrolet & Fiat & Opel / Vauxhall & Saab & Suzuki: Art. 112267

Technical Data

Material	Rubber
Surface protection	-



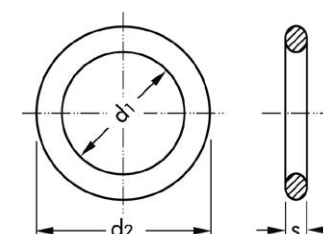
Art. 112267 (BMW / Chevrolet / Fiat / Opel / Vauxhall / Saab / Suzuki)



1



Art. 112267 (BMW / Chevrolet / Fiat / Opel / Vauxhall / Saab / Suzuki)



Rubber sealing ring 18x22x2							
Title	Internal Ø	External Ø	Thickness material	Manufacturer and OEM	PU Piece	Article No.	
Rubber O-ring	18 mm	22 mm	2 mm	BMW: - Chevrolet: - Fiat: 71739848 Opel / Vauxhall: 652540 / 90528145 Saab: - Suzuki: 1659286J00000	50	165181	

AGR: 01.641

Related Products

	PU Amount	Article No.
Oil Drain Plug Opel M 14x1,5x10	10	112267

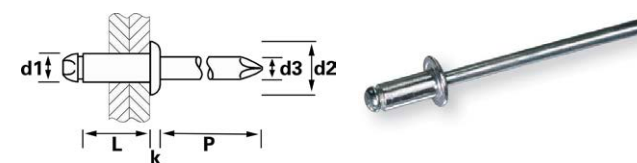
INTERNAL/Approved (2019-03-22 14:23:01)

1

Blind rivets, flat head, aluminium/aluminium

Characteristics

- Sleeve: Aluminium
- Mandrel: Aluminium



Ø-d1 mm	3,2	4,0	4,8
Drill-Ø mm	3,3	4,1	4,9
Ø-d2 mm	6,5	8,0	9,5
k mm	0,8	1,0	1,1
P mm	min. 27	min. 27	min. 27
Ø-d3 mm	1,95	2,45	2,9
Shear fracture load N	534	845	1155
Tensile breaking stress N	667	1022	1422

Blind rivets, flat head, aluminium/aluminium

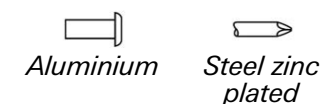
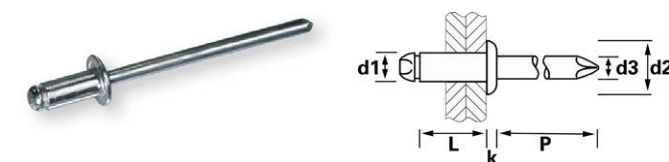
Title	Husks Ø	Length, Sleeve	Ø head	Clamping range	PU Piece	Article No.
Blind rivet	3.2 mm	8 mm	6.5 mm	3.5 - 5.5 mm	100/500	911533
Blind rivet	3.2 mm	10 mm	6.5 mm	5.5 - 7.5 mm	500	024227
Blind rivet	3.2 mm	12 mm	6.5 mm	7 - 8.5 mm	500	024228
Blind rivet	4 mm	8 mm	8 mm	3 - 5 mm	100	911542
Blind rivet	4 mm	10 mm	8 mm	5 - 7 mm	500	911543
Blind rivet	4 mm	12 mm	8 mm	7 - 9 mm	100	911544
Blind rivet	4 mm	16 mm	8 mm	10.5 - 12.5 mm	100	027453

AGR: 01.404

Blind rivets, flat head, aluminium/steel

Characteristics

- Sleeve: Aluminium
- Mandrel: Steel zinc plated



INTERNAL/Approved (2019-03-22 14:23:09)

Ø-d1 mm	2,4	3,0	3,2	4,0	4,8	5,0	6,0
Drill-Ø	2,5	3,1	3,3	4,1	4,9	5,1	6,1
Ø-d2 mm	5,0	6,5	6,5	8,0	9,5	9,5	12,0
k mm	0,7	0,8	0,8	1,0	1,1	1,1	1,5
P mm	min. 27	min. 27	min. 27	min. 27	min. 27	min. 27	min. 31
Ø-d3 mm	1,45	1,75	1,75	2,1	2,7	2,7	3,6
Shear fracture load N	314	620	760	1200	1690	2000	3000
Tensile fracture load N	353	810	980	1600	2230	2500	3900

Blind rivets, flat head, aluminium/steel

Title	Husks Ø	Length, Sleeve	Ø head	Clamping range	PU Piece	Article No.
Blind rivet	2.4 mm	6 mm	5 mm	2 - 4 mm	100	009903
Blind rivet	2.4 mm	8 mm	5 mm	4 - 6 mm	500	009911
Blind rivet	3 mm	6 mm	6.5 mm	1.5 - 3.5 mm	100/500	009997
Blind rivet	3 mm	8 mm	6.5 mm	3.5 - 5.5 mm	100/500	009954
Blind rivet	3 mm	10 mm	6.5 mm	5.5 - 7.5 mm	500	009962
Blind rivet	3 mm	12 mm	6.5 mm	7.5 - 9.5 mm	500	009970
Blind rivet	3 mm	14 mm	6.5 mm	9.5 - 11.5 mm	100	009989
Blind rivet	3 mm	16 mm	6.5 mm	11.5 - 13.5 mm	100/500	339520
Blind rivet	3.2 mm	4 mm	6.5 mm	0.5 - 2 mm	500	800639
Blind rivet	3.2 mm	6 mm	6.5 mm	1.5 - 3.5 mm	500	800646
Blind rivet	3.2 mm	8 mm	6.5 mm	3.5 - 5.5 mm	500	800622
Blind rivet	3.2 mm	10 mm	6.5 mm	5.5 - 7.5 mm	100/500	131380
Blind rivet	3.2 mm	12 mm	6.5 mm	7.5 - 9.5 mm	500	800509
Blind rivet	3.2 mm	14 mm	6.5 mm	8.5 - 10.5 mm	500	800516
Blind rivet	3.2 mm	18 mm	6.5 mm	10.5 - 14 mm	500	802053
Blind rivet	4 mm	6 mm	8 mm	1.5 - 3 mm	500	010057
Blind rivet	4 mm	8 mm	8 mm	3 - 5 mm	100/500	010073
Blind rivet	4 mm	10 mm	8 mm	5 - 6.5 mm	100/500	010081
Blind rivet	4 mm	12 mm	8 mm	6.5 - 8.5 mm	100/500	010090
Blind rivet	4 mm	14 mm	8 mm	8.5 - 10.5 mm	500	010103
Blind rivet	4 mm	16 mm	8 mm	10.5 - 12.5 mm	100/500	339504
Blind rivet	4 mm	18 mm	8 mm	12.5 - 14.5 mm	500	010022
Blind rivet	4 mm	20 mm	8 mm	14.5 - 16.5 mm	100	026980
Blind rivet	4 mm	25 mm	8 mm	19 - 21.5 mm	500	010650
Blind rivet	4.8 mm	8 mm	9.5 mm	3 - 4.5 mm	500	800585
Blind rivet	4.8 mm	10 mm	9.5 mm	4.5 - 6 mm	100/500	010669

INTERNAL/Approved (2019-03-22 14:23:47)

1

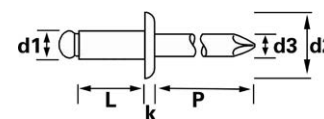
Blind rivets, flat head, aluminium/steel

Title	Husks Ø	Length, Sleeve	Ø head	Clamping range	PU Piece	Article No.
Blind rivet	4.8 mm	12 mm	9.5 mm	6 - 8 mm	100/500	802107
Blind rivet	4.8 mm	14 mm	9.5 mm	8 - 10 mm	500	581291
Blind rivet	4.8 mm	16 mm	9.5 mm	10 - 12 mm	100/500	800592
Blind rivet	4.8 mm	18 mm	9.5 mm	12 - 14 mm	500	804361
Blind rivet	4.8 mm	20 mm	9.5 mm	14 - 16 mm	250	804378
Blind rivet	4.8 mm	22 mm	9.5 mm	16 - 18 mm	250	008144
Blind rivet	4.8 mm	25 mm	9.5 mm	18 - 21 mm	250	802114
Blind rivet	4.8 mm	30 mm	9.5 mm	23 - 25 mm	250	581313
Blind rivet	4.8 mm	40 mm	9.5 mm	30 - 35 mm	100	131108
Blind rivet	5 mm	6 mm	9.5 mm	0.5 - 2.5 mm	100	010120
Blind rivet	5 mm	8 mm	9.5 mm	3 - 4.5 mm	100	010138
Blind rivet	5 mm	10 mm	9.5 mm	4.5 - 6 mm	100/500	010146
Blind rivet	5 mm	12 mm	9.5 mm	6 - 8 mm	100/500	127485
Blind rivet	5 mm	14 mm	9.5 mm	8 - 10 mm	100	010162
Blind rivet	5 mm	16 mm	9.5 mm	10 - 12 mm	100/500	010170
Blind rivet	5 mm	18 mm	9.5 mm	12 - 14 mm	500	010189
Blind rivet	5 mm	21 mm	9.5 mm	14 - 17 mm	100/500	009865
Blind rivet	5 mm	25 mm	9.5 mm	17 - 20 mm	100	010197
Blind rivet	5 mm	30 mm	9.5 mm	23 - 25 mm	100	009873
Blind rivet	6 mm	10 mm	12 mm	4 - 6 mm	100	010715
Blind rivet	6 mm	12 mm	12 mm	6 - 8 mm	100/250	010723
Blind rivet	6 mm	16 mm	12 mm	9 - 11 mm	100/250	010731
Blind rivet	6 mm	18 mm	12 mm	11 - 13 mm	100	010740
Blind rivet	6 mm	22 mm	12 mm	13 - 17 mm	100	131400
Blind rivet	6 mm	26 mm	12 mm	17 - 20 mm	100	911419

AGR: 01.400

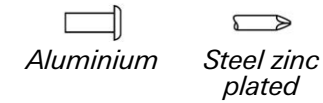
Blind rivets, flat head Ø 14/16 mm, aluminium/steel

Characteristics



INTERNAL/Approved (2019-03-22 14:24:24)

- Sleeve: Aluminium
- Mandrel: Steel zinc plated



Ø-d1 mm	4,8
Drill-Ø mm	5,1
Ø-d2 mm	14,0
k mm	2,5
P mm	min. 27
Ø-d3 mm	2,7
Shear fracture load N	1600
Tensile breaking stress N	2400

Blind rivets, flat head Ø 14/16 mm, aluminium/steel

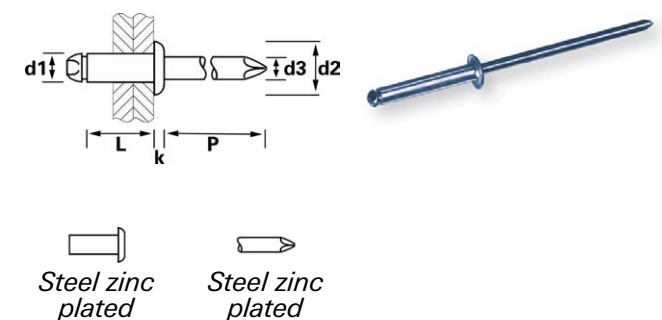
Title	Husks Ø	Length, Sleeve	Ø head	Clamping range	PU Piece	Article No.
Blind rivet	4.8 mm	10 mm	14 mm	4.5 - 6 mm	100/250	581755
Blind rivet	4.8 mm	12 mm	14 mm	6 - 8 mm	100	131228
Blind rivet	4.8 mm	14 mm	14 mm	8 - 10 mm	100/250	012051
Blind rivet	4.8 mm	16 mm	14 mm	10 - 12 mm	100/250	581780
Blind rivet	4.8 mm	18 mm	14 mm	12 - 14 mm	100/250	131231
Blind rivet	4.8 mm	20 mm	14 mm	14 - 16 mm	250	911430
Blind rivet	4.8 mm	22 mm	14 mm	16 - 18 mm	100	013365
Blind rivet	4.8 mm	24 mm	14 mm	18 - 21 mm	250	911431
Blind rivet	5 mm	10 mm	14 mm	4.5 - 6 mm	100/250	010537
Blind rivet	5 mm	12 mm	14 mm	6 - 8 mm	100/250	010545
Blind rivet	5 mm	14 mm	14 mm	8 - 10 mm	100/250	010553
Blind rivet	5 mm	16 mm	14 mm	10 - 12 mm	100/250	010561
Blind rivet	5 mm	18 mm	14 mm	12 - 14 mm	100/250	010570
Blind rivet	5 mm	24 mm	14 mm	17 - 20 mm	250	164151
Blind rivet	5 mm	30 mm	14 mm	23 - 26 mm	250	041128

AGR: 01.402

Blind rivets, flat head, steel/steel

Characteristics

- Sleeve: Steel zinc plated
- Mandrel: Steel zinc plated



INTERNAL/Approved (2019-03-22 14:24:47)

1

Rivets

1

Ø-d1 mm	3,0	3,2	4,0	4,8	5,0	6,0
Drill-Ø mm	3,1	3,3	4,1	4,9	5,1	6,1
Ø-d2 mm	6,5	6,5	8,0	9,5	9,5	12,0
k mm	0,8	0,8	1,0	1,1	1,1	1,5
P mm	min. 27	min. 27	min. 27	min. 27	min. 27	min. 31
Ø-d3 mm	1,9	2,0	2,5	2,7	2,9	3,4
Shear fracture load N	915	1060	1550	2305	2575	4040
Tensile breaking stress N	1125	1285	1990	2920	3255	5020

Blind rivets, flat head, steel/steel

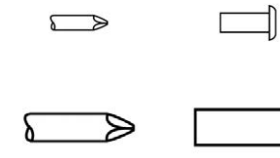
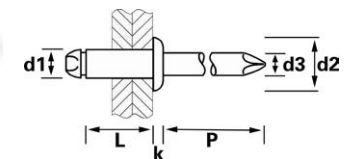
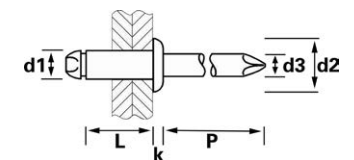
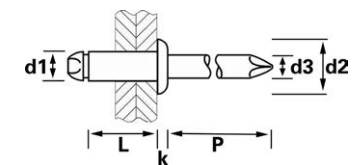
Title	Husks Ø	Length, Sleeve	Ø head	Clamping range	PU Piece	Article No.
Blind rivet	3 mm	6 mm	6.5 mm	1.5 - 3 mm	500	009709
Blind rivet	3 mm	8 mm	6.5 mm	3 - 5 mm	500	009717
Blind rivet	3.2 mm	6 mm	6.5 mm	1.5 - 3 mm	500	131416
Blind rivet	3.2 mm	8 mm	6.5 mm	3 - 5 mm	500	131417
Blind rivet	3.2 mm	10 mm	6.5 mm	5 - 7 mm	500	131418
Blind rivet	4 mm	6 mm	8 mm	1.5 - 2.5 mm	500	009768
Blind rivet	4 mm	8 mm	8 mm	2.5 - 4.5 mm	500	009792
Blind rivet	4 mm	10 mm	8 mm	4.5 - 6.5 mm	500	009776
Blind rivet	4 mm	12 mm	8 mm	6.5 - 8.5 mm	500	009784
Blind rivet	4 mm	16 mm	8 mm	10.5 - 12.5 mm	500	010847
Blind rivet	4.8 mm	8 mm	9.5 mm	2.5 - 4.5 mm	500	131100
Blind rivet	4.8 mm	10 mm	9.5 mm	4.5 - 6 mm	500	131104
Blind rivet	4.8 mm	12 mm	9.5 mm	6 - 8 mm	100/500	802442
Blind rivet	4.8 mm	14 mm	9.5 mm	8 - 10 mm	500	582875
Blind rivet	4.8 mm	16 mm	9.5 mm	10 - 11.5 mm	500	509558
Blind rivet	4.8 mm	20 mm	9.5 mm	13.5 - 15 mm	100	582891
Blind rivet	6.4 mm	12 mm	13 mm	3.6 - 6 mm	250	802480

AGR: 01.432

Blind rivets, flat head, steel-tinned/steel

Characteristics

- Sleeve made from galvanized steel (solderable), mandrel made from galvanized steel



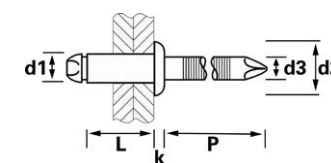
Blind rivets, flat head, steel-tinned/steel

Title	Husks Ø	Length, Sleeve	Ø head	Clamping range	PU Piece	Article No.
Blind rivet	3.2 mm	6.3 mm	6.3 mm	1.5 - 3.5 mm	1000	802633
Blind rivet	3.2 mm	8 mm	6.3 mm	3.5 - 5.5 mm	1000	802640
Blind rivet	3.2 mm	9.3 mm	6.3 mm	5.5 - 7 mm	1000	802626

AGR: 01.432

Blind rivets, flat head, stainless steel A2/stainless steel A2

Characteristics

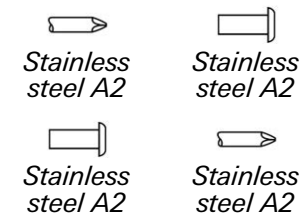
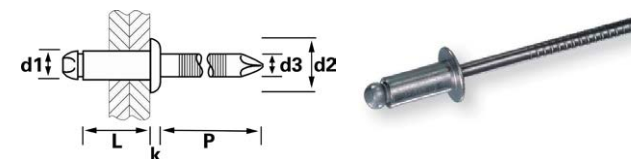


INTERNAL/Approved (2019-03-22 14:25:36)

Rivets

1

- Sleeve: Stainless steel A2
- Mandrel: Stainless steel A2



	3,0	3,2	4,0	4,8	5,0
Ø-d1 mm	3,0	3,2	4,0	4,8	5,0
Drill-Ø mm	3,1	3,3	4,1	4,9	5,1
Ø-d2 mm	6,5	6,5	8,0	9,5	9,5
k mm	0,8	0,8	1,0	1,1	1,1
P mm	min. 27	min. 27	min. 27	min. 27	min. 27
Ø-d3 mm	1,9	2,0	2,5	2,9	2,9
Shear fracture load N	1600	3100	3100	4500	5000
Tensile breaking stress N	2000	2500	3800	6000	6500

Blind rivets, flat head, stainless steel A2/stainless steel A2

Title	Husks Ø	Length, Sleeve	Ø head	Clamping range	PU Piece	Article No.
Blind rivet	3 mm	6 mm	6.5 mm	1.5 - 2.5 mm	500	010324
Blind rivet	3 mm	8 mm	6.5 mm	2.5 - 4.5 mm	500	181412*
Blind rivet	3.2 mm	6 mm	6.5 mm	1.5 - 2.5 mm	500	803661
Blind rivet	3.2 mm	8 mm	6.5 mm	2.5 - 4.5 mm	500	803685
Blind rivet	3.2 mm	10 mm	6.5 mm	4.5 - 6.5 mm	500	582921
Blind rivet	4 mm	6 mm	8 mm	0.1 - 2 mm	100	010340
Blind rivet	4 mm	8 mm	8 mm	2 - 4 mm	100/500	010359
Blind rivet	4 mm	10 mm	8 mm	4 - 6 mm	100/500	339512
Blind rivet	4 mm	13 mm	8 mm	7 - 9 mm	500	911516
Blind rivet	4 mm	16 mm	8 mm	10 - 12 mm	100	582930
Blind rivet	4.8 mm	10 mm	9.5 mm	3 - 5 mm	100	582956
Blind rivet	4.8 mm	12 mm	9.5 mm	5 - 7 mm	100	582964
Blind rivet	4.8 mm	14 mm	9.5 mm	7 - 9 mm	500	582972
Blind rivet	4.8 mm	16 mm	9.5 mm	9 - 11 mm	500	582980
Blind rivet	4.8 mm	20 mm	9.5 mm	13 - 15 mm	100	911523
Blind rivet	5 mm	10 mm	9.5 mm	3 - 5 mm	100	010383*
Blind rivet	5 mm	12 mm	9.5 mm	5 - 7 mm	500	010391
Blind rivet	5 mm	16 mm	9.5 mm	8 - 11 mm	500	010413

INTERNAL/Approved (2019-03-22 14:25:52)

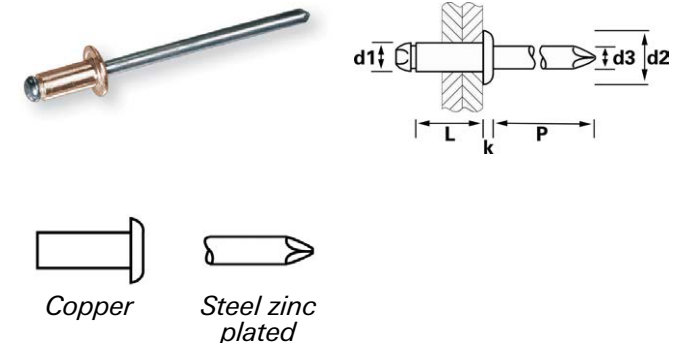
* = The delivery time is 30 days

AGR: 01.434

Blind rivets, flat head, copper/steel

Characteristics

- Sleeve: Copper
- Mandrel: Steel zinc plated



Ø-d1 mm	3,0
Drill-Ø	3,1
Ø-d2 mm	6,5
k mm	0,8
P mm	min. 27
Ø-d3 mm	1,75
Shear fracture load N	600
Tensile breaking stress N	700

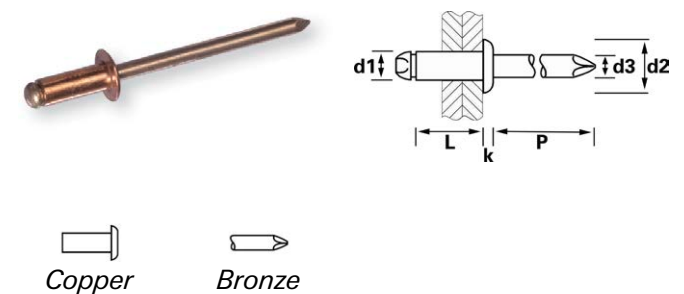
Blind rivets, flat head, copper/steel						
Title	Husks Ø	Length, Sleeve	Ø head	Clamping range	PU Piece	Article No.
Blind rivet	3 mm	6 mm	6.5 mm	1 - 3 mm	250	010251
Blind rivet	3.2 mm	6 mm	6.5 mm	2 - 3.5 mm	250	804941
Blind rivet	3.2 mm	8 mm	6.5 mm	3.5 - 5.5 mm	250	804958
Blind rivet	4 mm	6 mm	8 mm	1 - 2 mm	250	010260
Blind rivet	4 mm	8 mm	8 mm	2.5 - 4.5 mm	250	010278
Blind rivet	4 mm	10 mm	8 mm	4.5 - 6.5 mm	250	010286

AGR: 01.430

Blind rivets, flat head, copper/bronze

Characteristics

- Sleeve: polished copper
- Mandrel: bronze polished



INTERNAL/Approved (2019-03-22 14:25:56)

1

Ø-d1 mm	3.0	3.2	4.0
Drill-Ø mm	3.1	3.3	4.1
Ø-d2 mm	6.5	6.0	8.0
k mm	1.0	0.8	1.2
P mm	min. 25	min. 27	min. 25
Ø-d3 mm	2.0	1.95	2.45
Shear fracture load N	760	800	1.500
Tensile breaking stress N	950	1.000	1.800

Blind rivets, flat head, copper/bronze

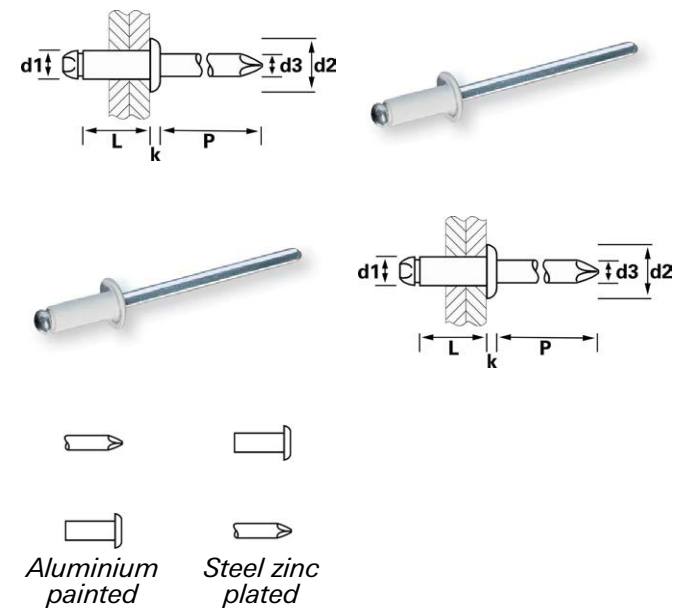
Title	Husks Ø	Length, Sleeve	Ø head	Clamping range	PU Piece	Article No.
Blind rivet	3.2 mm	6 mm	6 mm	1 - 3 mm	250	335923
Blind rivet	3.2 mm	10 mm	6 mm	5 - 7 mm	250	335921

AGR: 01.430

Blind rivets, flat head, aluminium/steel, white

Characteristics

- Sleeve (Ø 3.2 mm): Aluminum AlMg2.5, white (RAL 9003) painted
- Sleeve (Ø 4.0 mm): Aluminum AlMg3.5, white (RAL 9003) painted
- Mandrel: Steel zinc plated



Ø-d1 mm	3,2	4,0	4,8
Drill-Ø mm	3,3	4,1	4,9
Ø-d2 mm	6,5	8,0	9,5
k mm	0,8	1,0	1,1
P mm	min. 27	min. 27	min. 27
Ø-d3 mm	1,8	2,1	2,7
Shear fracture load N	760	1200	2230
Tensile breaking stress N	980	1600	1690

Blind rivets, flat head, aluminium/steel, white

Title	Husks Ø	Length, Sleeve	Ø head	Clamping range	Color	PU Piece	Article No.
Blind rivet	3.2 mm	6 mm	6.5 mm	1.5 - 3.5 mm	RAL 9016, Traffic white	500	805382
Blind rivet	3.2 mm	8 mm	6.5 mm	3.5 - 5.5 mm	RAL 9016, Traffic white	500	915072

INTERNAL/Approved (2019-03-22 14:26:08)

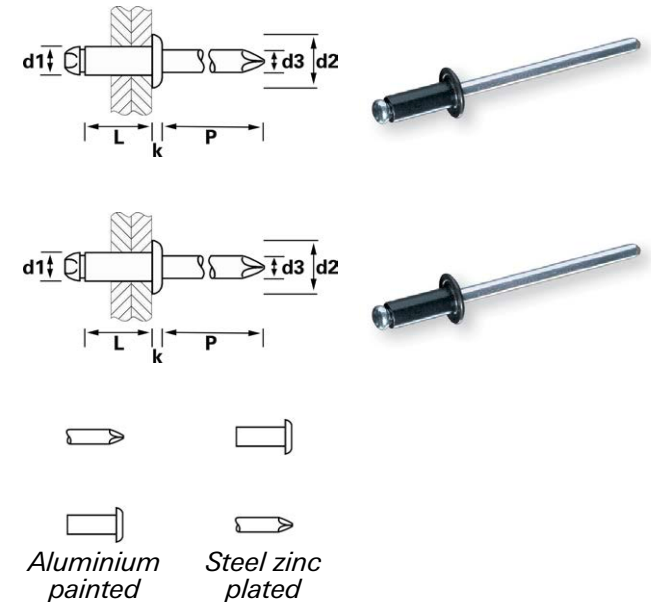
Blind rivet 4 mm 10 mm 8 mm 5 - 6.5 mm RAL 9010, Purely white 500 915076

AGR: 01.410

Blind rivets, flat head, aluminium/steel, black

Characteristics

- Sleeve (Ø 3.2 mm): Aluminum AlMg2.5, black (RAL 9005) painted
- Sleeve (Ø 4.0 / 4.8 mm): Aluminum AlMg3.5, black (RAL 9005) painted
- Mandrel: Steel zinc plated



Ø-d1 mm	3,2	4,0	4,8
Drill-Ø mm	3,3	4,1	4,9
Ø-d2 mm	6,5	8,0	9,5
k mm	0,8	1,0	1,1
P mm	min. 27	min. 27	min. 27
Ø-d3 mm	1,8	2,1	2,7
Shear fracture load N	760	1200	2230
Tensile breaking stress N	980	1600	1690

Blind rivets, flat head, aluminium/steel, black

Title	Husks Ø	Length, Sleeve	Ø head	Clamping range	Color	PU Piece	Article No.
Blind rivet	3.2 mm	6 mm	6.5 mm	1.5 - 3.5 mm	RAL 9005, Jet black	500	928976
Blind rivet	3.2 mm	8 mm	6.5 mm	3.5 - 5.5 mm	RAL 9005, Jet black	500	595225
Blind rivet	4 mm	10 mm	8 mm	5 - 6.5 mm	RAL 9005, Jet black	500	582530

AGR: 01.410

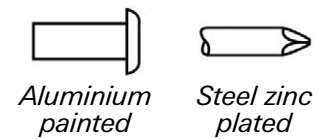
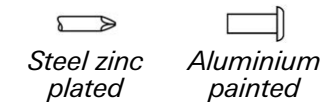
INTERNAL/Approved (2019-03-22 14:26:15)

1

Blind rivets, flat head Ø 14 mm, aluminium/steel, black

Characteristics

- Sleeve: Aluminium AlMg3,5, black (RAL 9005) painted
- Mandrel: Steel zinc plated



Ø-d1 mm	4,8
Drill-Ø mm	4,9
Ø-d2 mm	14
k mm	1,5
P mm	min. 27
Ø-d3 mm	2,7
Shear fracture load N	1540
Tensile breaking stress N	2230

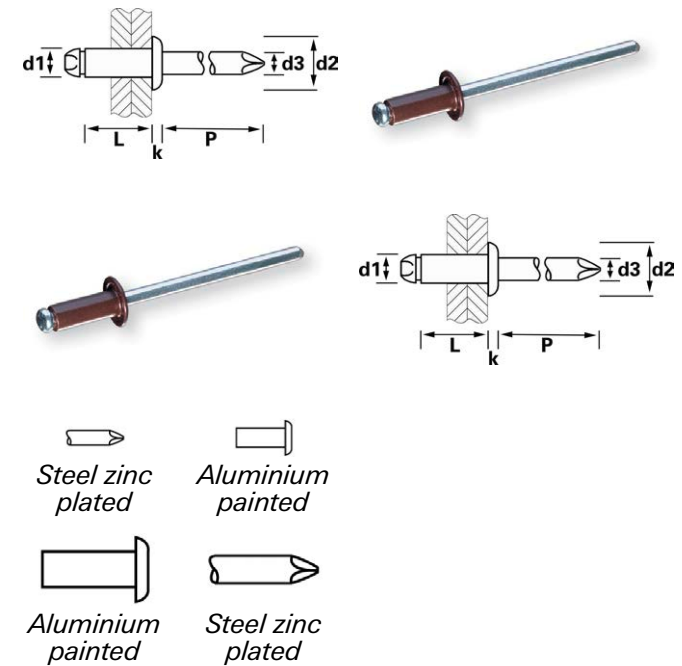
Blind rivets, flat head Ø 14 mm, aluminium/steel, black							
Title	Husks Ø	Length, Sleeve	Ø head	Clamping range	Color	PU Piece	Article No.
Blind rivet	4.8 mm	12 mm	14 mm	6 - 8 mm	RAL 9005, Jet black	100/250	026053
Blind rivet	4.8 mm	14 mm	14 mm	8 - 10 mm	RAL 9005, Jet black	100/250	026054
Blind rivet	4.8 mm	16 mm	14 mm	10 - 12 mm	RAL 9005, Jet black	100/250	022925
Blind rivet	4.8 mm	18 mm	14 mm	12 - 14 mm	RAL 9005, Jet black	100/250	026055

AGR: 01.412

Blind rivets, flat head, aluminium/steel, brown

Characteristics

- Sleeve (Ø 3.2 mm): Aluminum AlMg2.5, brown (RAL 8014) painted
- Sleeve (Ø 4.0 mm): Aluminum AlMg3.5, brown (RAL 8014) painted
- Mandrel: Steel zinc plated



Ø-d1 mm	3,2	4,0
Drill-Ø mm	3,3	4,1
Ø-d2 mm	6,5	8,0
k mm	0,8	1,0
P mm	min. 27	min. 27
Ø-d3 mm	1,8	2,1
Shear fracture load N	760	1200
Tensile breaking stress N	980	1600

Blind rivets, flat head, aluminium/steel, brown

Title	Husks Ø	Length, Sleeve	Ø head	Clamping range	Color	PU Piece	Article No.
Blind rivet	3.2 mm	6 mm	6.5 mm	1.5 - 3.5 mm	RAL 8014, Sephia brown	500	806303
Blind rivet	3.2 mm	8 mm	6.5 mm	3.5 - 5.5 mm	RAL 8014, Sephia brown	500	915063
Blind rivet	4 mm	10 mm	8 mm	5 - 6.5 mm	RAL 8014, Sephia brown	500	915067

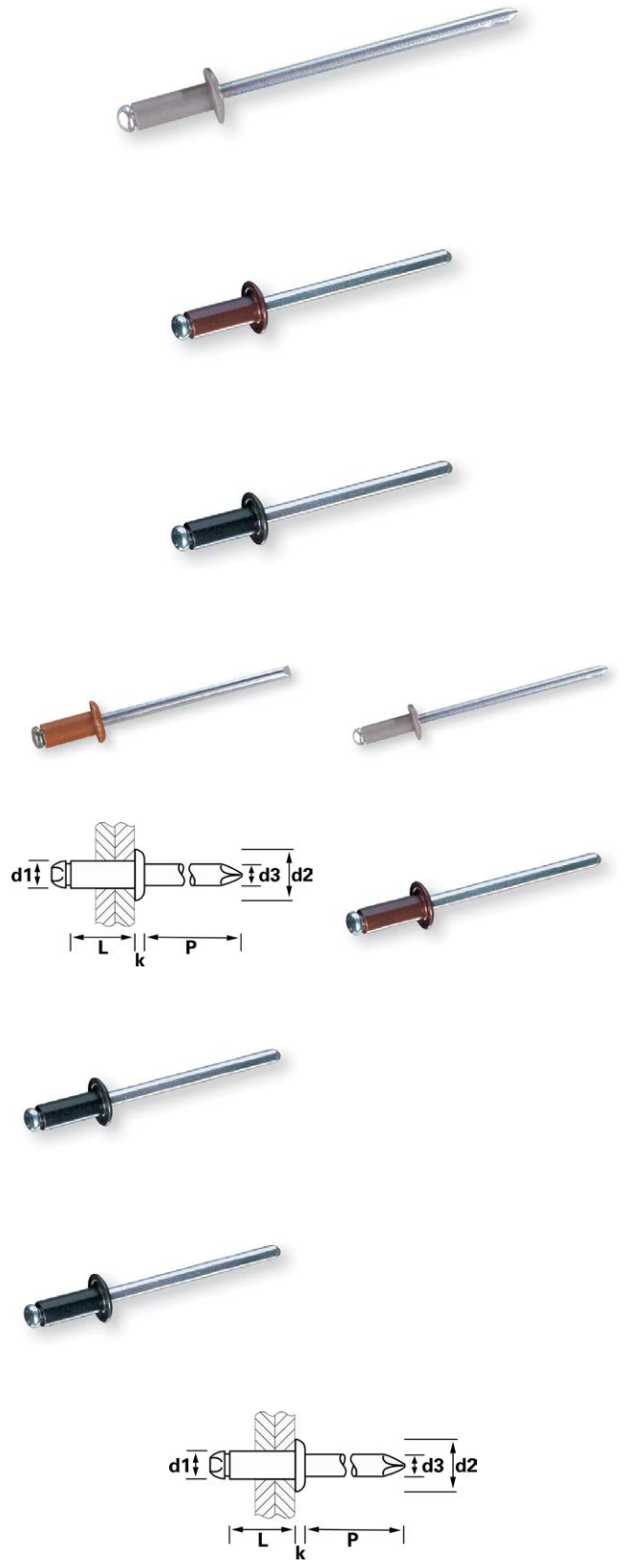
AGR: 01.410

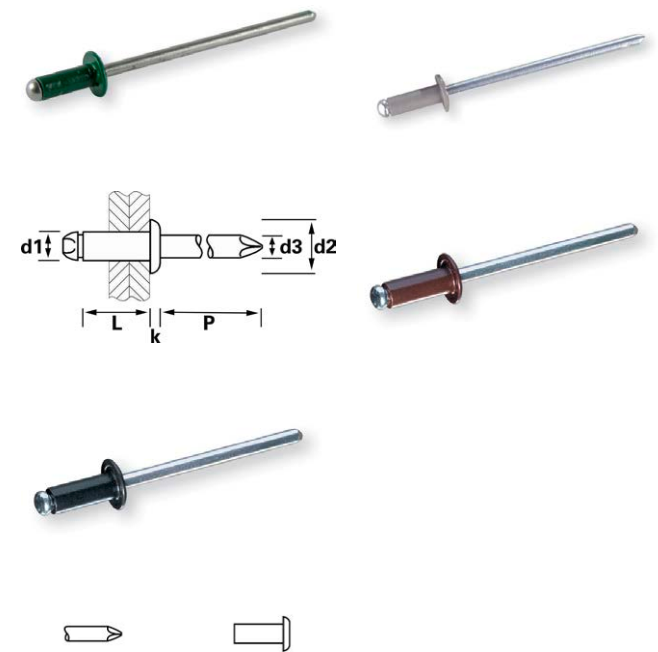
Blind rivets, flat head, aluminium/steel, colored

Characteristics

- Sleeve made from an aluminum alloy AlMg 3, painted
- Mandrel made from galvanized steel







Blind rivets, flat head, aluminium/steel, colored							
Title	Husks Ø	Length, Sleeve	Ø head	Clamping range	Color	PU Piece	Article No.
Bind rivet	3.2 mm	6 mm	6.5 mm	2 - 3.5 mm	RAL 7016, Anthracite / grey	500	027773
Bind rivet	3.2 mm	6 mm	6.5 mm	2 - 3.5 mm	RAL 8004, Copper brown	500	860923
Bind rivet	3.2 mm	6 mm	6.5 mm	1.5 - 3.5 mm	RAL 6005, Moss green	500	102454
Blind rivet	3.2 mm	6 mm	6.5 mm	2 - 3.5 mm	RAL 7035, Grey emitted light	500	027772
Bind rivet	3.2 mm	8 mm	6.5 mm	3.5 - 5 mm	RAL 7016, Anthracite / grey	500	150318
Bind rivet	3.2 mm	8 mm	6.5 mm	3.5 - 5 mm	RAL 8004, Copper brown	500	007136
Bind rivet	3.2 mm	8 mm	6.5 mm	3.5 - 5 mm	RAL 7035, Grey emitted light	500	595144
Bind rivet	3.2 mm	8 mm	6.5 mm	3.5 - 5 mm	RAL 6005, Moss green	500	102455
Bind rivet	3.2 mm	8 mm	6.5 mm	3.5 - 5 mm	RAL 7005, Mouse grey	500	102029
Bind rivet	3.2 mm	8 mm	6.5 mm	3.5 - 5 mm	RAL 7013, Brown grey	500	094173
Bind rivet	3.2 mm	8 mm	6.5 mm	3.5 - 5 mm	RAL 7038, Agate grey	500	102038
Bind rivet	3.2 mm	8 mm	6.5 mm	3.5 - 5 mm	RAL 9006, White aluminium	500	102037
Blind rivet	4 mm	10 mm	8 mm	6 - 7.5 mm	RAL 6005, Moss green	500	102456
Blind rivet	4 mm	10 mm	8 mm	5 - 6.5 mm	RAL 7013, Brown grey	500	094172
Blind rivet	4 mm	10 mm	8 mm	5 - 6.5 mm	RAL 7005, Mouse grey	500	102186
Blind rivet	4 mm	10 mm	8 mm	5 - 6.5 mm	RAL 9006, White aluminium	500	102184

INTERNAL/Approved (2019-03-22 14:26:55)

AGR: 01.410

1

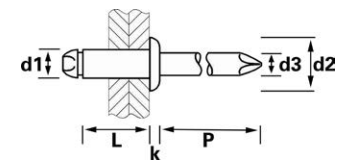
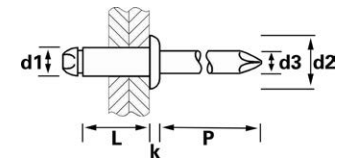
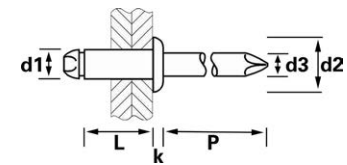
Blind rivets, flat head, stainless steel A2-tinned/ stainless steel A2

Characteristics

- Sleeve made from tin-plated stainless steel A2
- Mandrel made from stainless steel A2

Processing Information

- Technical information for the brazing of stainless steels UGINOX
Uginox stainless steels can be soldered very well due to their tin coating. As lot, tin/lead alloys with a tin proportion of at least 30 % (for example, S-Pb 70 Sn 30) are used. <Soft return/> As fluxes, are those suitable which are based on phosphorus. They should not contain chlorides. On the market are special UGINOX flux available. Soldering fluids based on chloride are not suitable for tin-plated steel. <Soft return/>After completion of a soldered seam, it must be cleaned with water and a clean cloth. Remaining flux residues can lead to optical impairments. Possible post-treatment with cleaner

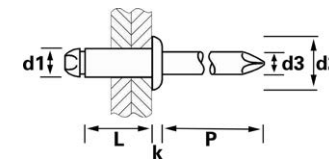


Blind rivets, flat head, stainless steel A2-tinned/stainless steel A2

Title	Husks Ø	Length, Sleeve	Ø head	Clamping range	PU Piece	Article No.
Blind rivet	3.2 mm	6 mm	6.5 mm	1 - 3.2 mm	1000	156312
Blind rivet	3.2 mm	8 mm	6.5 mm	3.2 - 4.8 mm	1000	156313

AGR: 01.433

Blind rivets, flat head, nickel-copper/stainless steel A2



1

Characteristics

- Sleeve: nickel-plated copper NiCu30Fe
- Dorn: Stainless steel A2, polished



Ø-d1 mm	3,2	4,0
Drill-Ø mm	3,3	4,1
Ø-d2 mm	6,5	8,0
k mm	0,8	1,0
P mm	min. 27	min. 27
Ø-d3 mm	1,3	2,3
Shear fracture load N	1600	2300
Tensile breaking stress N	2400	3450

Blind rivets, flat head, nickel-copper/stainless steel A2

Title	Husks Ø	Length, Sleeve	Ø head	Clamping range	PU Piece	Article No.
Blind rivet	3.2 mm	6 mm	6.5 mm	1.5 - 3.5 mm	250	836753*
Blind rivet	3.2 mm	10 mm	6.5 mm	5 - 7 mm	250	837571*

* = The delivery time is 30 days

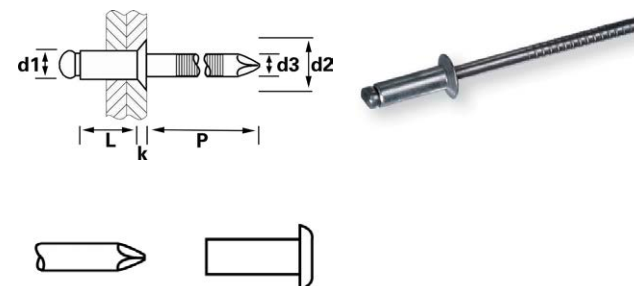
AGR: 01.430

1

Blind rivets, countersunk head, stainless steel A2/stainless steel A2

Characteristics

- Sleeve: Stainless steel A2, polished
- Mandrel: stainless steel A2, polished



Ø-d1 mm	3,2	4,0	4,8
Drill-Ø mm	3,3	4,1	4,9
Ø-d2 mm	6,0	7,5	9,0
k mm	-	-	-
P mm	min. 27	min. 27	min. 27
Ø-d3 mm	1,9	2,5	3,0
Shear fracture load N	1800	3100	4500
Tensile breaking stress N	2500	3800	6000

Blind rivets, countersunk head, stainless steel A2/stainless steel A2						
Title	Husks Ø	Length, Sleeve	Ø head	Clamping range	PU Piece	Article No.
Blind rivet	3.2 mm	6 mm	6 mm	1.5 - 2.5 mm	500	110250*
Blind rivet	3.2 mm	8 mm	6 mm	2.5 - 4.5 mm	500	110251*
Blind rivet	4 mm	8 mm	7.5 mm	2 - 4 mm	500	110254*
Blind rivet	4 mm	10 mm	7.5 mm	4 - 6 mm	500	110255*
Blind rivet	4 mm	12 mm	7.5 mm	6 - 8 mm	500	110257*
Blind rivet	4.8 mm	10 mm	9 mm	3 - 5 mm	500	110259*

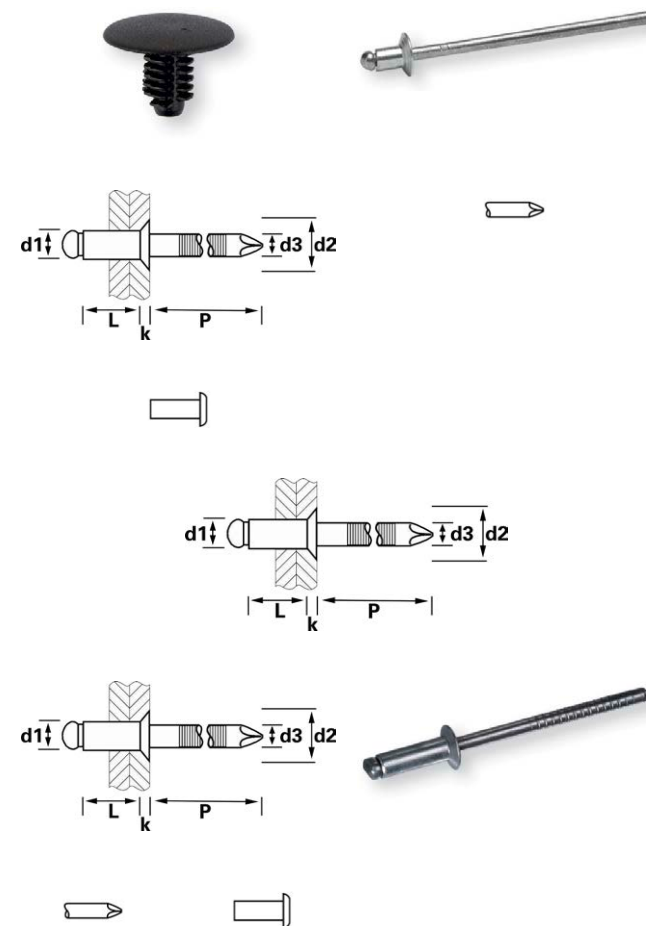
* = The delivery time is 30 days
 AGR: 01.433

Blind rivets, countersunk head, aluminium/steel

Characteristics

- Sleeve made from aluminum AlMg 3.5 and mandrel made from galvanized steel





Blind rivets, countersunk head, aluminium/steel							
Title	Husks Ø	Length, Sleeve	Ø head	Clamping range	PU Piece	Article No.	
Blind rivet	4 mm	8 mm	8 mm	3 - 5 mm	500	151725	
Blind rivet	5 mm	10 mm	9 mm	4.5 - 6 mm	500	151724	

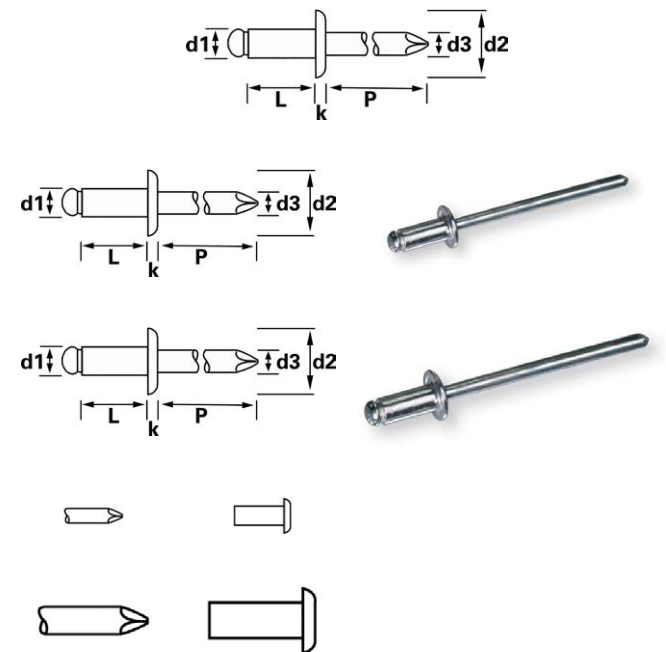
AGR: 01.433

INTERNAL/Approved (2019-03-22 14:27:34)

1 Blind rivets, flat head, aluminium/stainless steel A2

Characteristics

- Sleeve made from an aluminum alloy AlMg 3, mandrel made from stainless steel 1.4301 / AISI 304



Blind rivets, flat head, aluminium/stainless steel A2

Title	Husks Ø	Length, Sleeve	Ø head	Clamping range	PU Piece	Article No.
Blind rivet	4 mm	8 mm	8 mm	3 - 5 mm	500	151728
Blind rivet	5 mm	10 mm	9.5 mm	4.5 - 6.5 mm	500	151727

AGR: 01.474

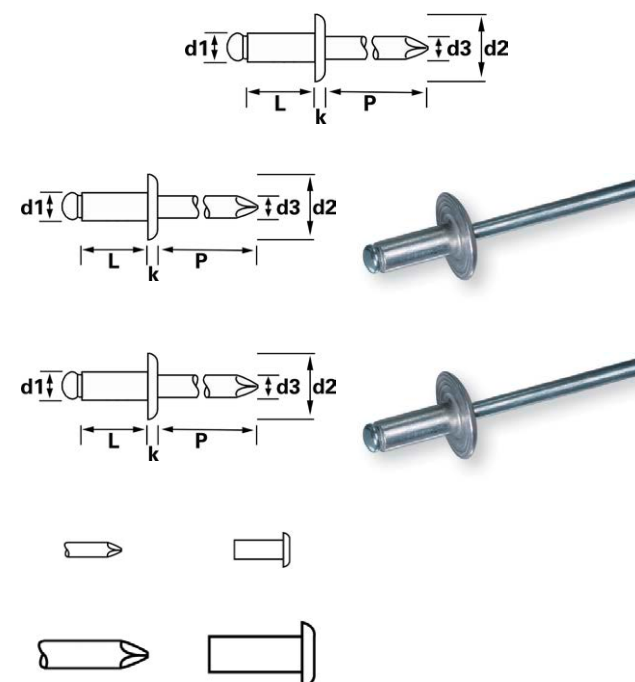
Blind rivets, flat head Ø 12 mm, aluminium/steel

Characteristics

- Sleeve made from an aluminum alloy AlMg 3, mandrel made from galvanized steel



1



Blind rivets, flat head Ø 12 mm, aluminium/steel							
Title	Husks Ø	Length, Sleeve	Ø head	Clamping range	PU Piece	Article No.	
Blind rivet	4 mm	8 mm	12 mm	3 - 4.5 mm	500	151734	

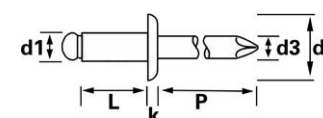
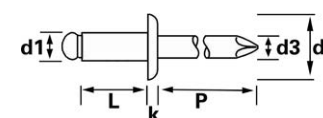
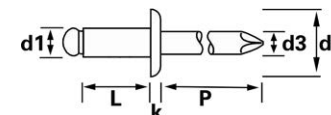
AGR: 01.400

INTERNAL/Approved (2019-03-22 14:27:48)

1 Blind rivets, flat head Ø 12/14 mm, aluminium/stainless steel A2

Characteristics

- Sleeve made from an aluminum alloy AlMg 2.5 mandrel made from stainless steel 1.4301



Blind rivets, flat head Ø 12/14 mm, aluminium/stainless steel A2

Title	Husks Ø	Length, Sleeve	Ø head	Clamping range	PU Piece	Article No.
Blind rivet	4 mm	8 mm	12 mm	2 - 4 mm	500	151729
Blind rivet	5 mm	10 mm	14 mm	4.5 - 6.5 mm	500	151726

AGR: 01.494

Blind rivets, flat head, plastic/plastic

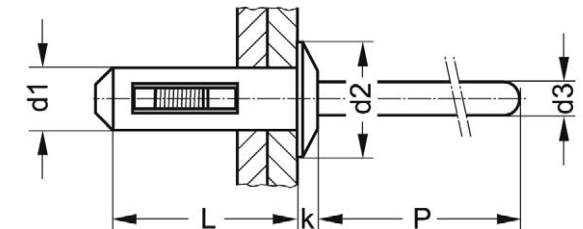
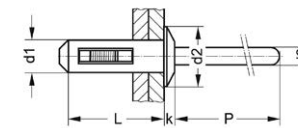
Characteristics

- Sleeve: Plastic
- Dorn: Plastic



Hints

- For processing of plastic rivets suitable processing tools may only be used therefor. Suitable processing tool is
- Art 143307 Hand Riveter for plastic rivets
- Item No. 100634 (5,8x19,3): BMW reference no. 51717002953
- Item No. 142883 (6,3x25,2): BMW reference no. 07142151750



Blind rivets, flat head, plastic/plastic							
Title	Husks Ø	Length, Sleeve	Ø head	Clamping range	PU Piece	Article No.	
Blind rivet	6.3 mm	25.2 mm	17 mm	4 - 10 mm	50	142883	
AGR: 01.431							
Accessories Available						PU Piece	Article No.
Riveting Pliers for Plastic Rivets						1	143307

1

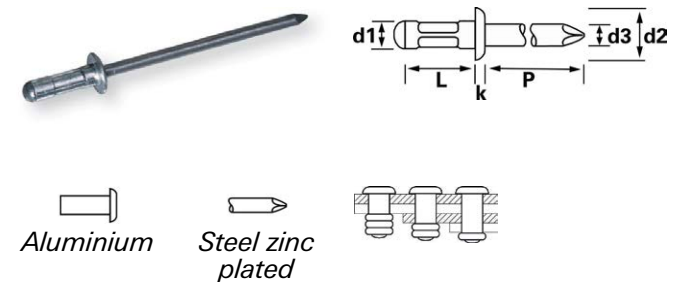
Multi purpose blind rivets, flat head, aluminium/steel

- Multi functional applicable thanks to an extremely wide clamping range
- Imprecise drillings are less critical because of an excellent filling of the drilling hole
- The captive embedded mandrel seals the rivet dust and splash-water proof

Characteristics

- Sleeve: Aluminium
- Mandrel: Steel zinc plated

Ø-d1 mm	3,2	4,0	4,8
Drill-Ø mm	3,3	4,1	4,9
Ø-d2 mm	6,0	8,0	9,5
k mm	1,4	1,7	2,0
P mm	min. 27	min.27	min. 27
Ø-d3 mm	1,78	2,18	2,78
Shear breaking load N	680	1150	1500
Tensile breaking stress N	980	1600	2350



Multi purpose blind rivets, flat head, aluminium/steel

Title	Husks Ø	Length, Sleeve	Ø head	Clamping range	PU Piece	Article No.
Multi purpose blind rivet	3.2 mm	8 mm	6 mm	0.5 - 5 mm	500	933900
Multi purpose blind rivet	4 mm	9.5 mm	8 mm	1 - 6 mm	500	933902
Multi purpose blind rivet	4 mm	17 mm	8 mm	8.5 - 13.5 mm	500	168682
Multi purpose blind rivet	4.8 mm	24.8 mm	9.5 mm	14.5 - 19.5 mm	250	110236

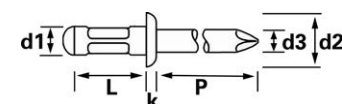
AGR: 01.460

Multi purpose blind rivets, flat head, aluminium/stainless steel A2, colored

- Versatile because of an extremely wide clamping range
- Inaccurate holes are less critical due to excellent hole filling

Characteristics

- Sleeve made from an aluminum alloy AlMg 2.5, painted
- Mandrel made from stainless steel A2





Multi purpose blind rivets, flat head, aluminium/stainless steel A2, colored							
Title	Husks Ø	Length, Sleeve	Ø head	Clamping range	Color	PU Piece	Article No.
Multi purpose blind rivet	3.2 mm	8 mm	6 mm	0.5 - 5 mm	RAL 9002, Grey white	500	244790
Multi purpose blind rivet	3.2 mm	8 mm	6 mm	0.5 - 5 mm	RAL 7016, Anthracite / grey	500	153798
Multi purpose blind rivet	3.2 mm	8 mm	6 mm	0.5 - 5 mm	RAL 8014, Sephia brown	500	153791
Multi purpose blind rivet	3.2 mm	8 mm	6 mm	0.5 - 5 mm	RAL 7037, Dusty grey	500	153797
Multi purpose blind rivet	3.2 mm	8 mm	6 mm	0.5 - 5 mm	RAL 6005, Moss green	500	153795
Multi purpose blind rivet	3.2 mm	8 mm	6 mm	0.5 - 5 mm	RAL 3009, Oxid red	500	131085
Multi purpose blind rivet	3.2 mm	8 mm	6 mm	0.5 - 5 mm	RAL 8004, Copper brown	500	153794
Multi purpose blind rivet	3.2 mm	8 mm	6 mm	0.5 - 5 mm	RAL 9010, Purely white	500	153793
Multi purpose blind rivet	3.2 mm	8 mm	6 mm	0.5 - 5 mm	RAL 7005, Mouse grey	500	102181
Multi purpose blind rivet	3.2 mm	8 mm	6 mm	0.5 - 5 mm	RAL 7013, Brown grey	500	094175
Multi purpose blind rivet	3.2 mm	8 mm	6 mm	0.5 - 5 mm	RAL 7038, Agate grey	500	102182
Multi purpose blind rivet	3.2 mm	8 mm	6 mm	0.5 - 5 mm	RAL 9006, White aluminium	500	102183
Multi purpose blind rivet	3.2 mm	8 mm	6 mm	0.5 - 5 mm	RAL 8019, Grey brown	500	209010
Multi purpose blind rivet	4 mm	9.5 mm	8 mm	1 - 6 mm	RAL 9002, Grey white	500	244789
Multi purpose blind rivet	4 mm	9.5 mm	8 mm	1 - 6 mm	RAL 7016, Anthracite / grey	500	153805
Multi purpose blind rivet	4 mm	9.5 mm	8 mm	1 - 6 mm	RAL 8014, Sephia brown	500	153799
Multi purpose blind rivet	4 mm	9.5 mm	8 mm	1 - 6 mm	RAL 7037, Dusty grey	500	153804
Multi purpose blind rivet	4 mm	9.5 mm	8 mm	1 - 6 mm	RAL 6005, Moss green	500	153803
Multi purpose blind rivet	4 mm	9.5 mm	8 mm	1 - 6 mm	RAL 3009, Oxid red	500	131087
Multi purpose blind rivet	4 mm	9.5 mm	8 mm	1 - 6 mm	RAL 8004, Copper brown	500	153802
Multi purpose blind rivet	4 mm	9.5 mm	8 mm	1 - 6 mm	RAL 9010, Purely white	500	153801
Multi purpose blind rivet	4 mm	9.5 mm	8 mm	1 - 6 mm	RAL 7005, Mouse grey	500	102177
Multi purpose blind rivet	4 mm	9.5 mm	8 mm	1 - 6 mm	RAL 7013, Brown grey	500	094174
Multi purpose blind rivet	4 mm	9.5 mm	8 mm	1 - 6 mm	RAL 7038, Agate grey	500	102178
Multi purpose blind rivet	4 mm	9.5 mm	8 mm	1 - 6 mm	RAL 9006, White aluminium	500	102179
Multi purpose blind rivet	4 mm	9.5 mm	8 mm	1 - 6 mm	RAL 8019, Grey brown	500	209273

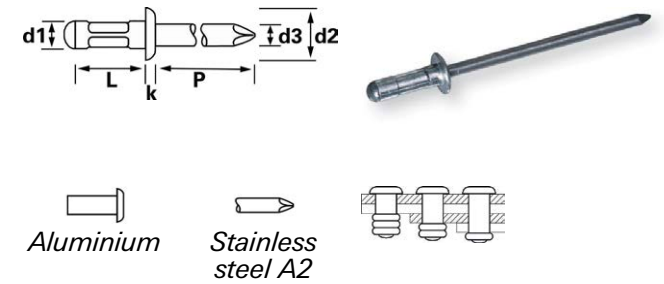
AGR: 01.410

INTERNAL/Approved (2019-03-22 14:28:23)

1

Multi purpose blind rivets, flat head, aluminium/stainless steel A2

- Multi functional applicable thanks to an extremely wide clamping range
- Imprecise drillings are less critical because of an excellent filling of the drilling hole
- The captive embedded mandrel seals the rivet dust and splash-water proof



Characteristics

- Sleeve: Aluminum
- Mandrel: Stainless steel A2

Ø-d1 mm	3,2	4,0	4,8
Drill-Ø mm	3,3	4,1	4,9
Ø-d2 mm	6,0	8,0	9,5
k mm	0,95	1,20	1,45
P mm	min. 27	min. 27	min. 27
Ø-d3 mm	1,78	2,18	2,78
Shear breaking load N	680	1150	1500
Tensile breaking stress N	980	1600	2350

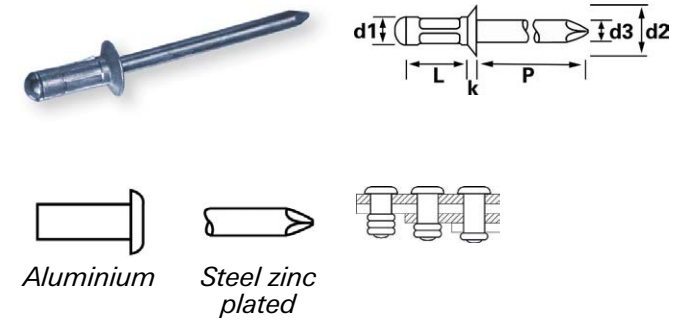
Multi purpose blind rivets, flat head, aluminium/stainless steel A2

Title	Husks Ø	Length, Sleeve	Ø head	Clamping range	PU Piece	Article No.
Multi purpose blind rivet	3.2 mm	8 mm	6 mm	0.5 - 5 mm	500	168687
Multi purpose blind rivet	3.2 mm	11.1 mm	6 mm	3.5 - 8 mm	500	168688
Multi purpose blind rivet	4 mm	9.5 mm	8 mm	1 - 6 mm	500	168689
Multi purpose blind rivet	4 mm	16.9 mm	8 mm	8.5 - 13.5 mm	500	168690
Multi purpose blind rivet	4.8 mm	10.3 mm	9.5 mm	0.5 - 5.5 mm	500	168691
Multi purpose blind rivet	4.8 mm	16.9 mm	9.5 mm	7 - 12 mm	500	168692

AGR: 01.462

Multi purpose blind rivets, countersunk head, aluminium/steel

- Multi functional applicable thanks to an extremely wide clamping range
- Imprecise drillings are less critical because of an excellent filling of the drilling hole
- The captive embedded mandrel seals the rivet dust and splash-water proof



Characteristics

- Sleeve: Aluminium AlMg2,5
- Mandrel: Steel zinc plated

	3,2	4,0	4,8
Ø-d1 mm	3,2	4,1	4,9
Drill-Ø	6,0	8,0	9,5
Ø-d2 mm	-	-	-
k mm	min. 27	min. 27	min. 27
P mm	1,78	2,18	2,78
Ø-d3 mm	680	1150	1500
Shear breaking load N	980	1600	2350
Tensile breaking stress N			

Multi purpose blind rivets, countersunk head, aluminium/steel

Title	Husks Ø	Length, Sleeve	Ø head	Clamping range	PU Piece	Article No.
Multi purpose blind rivet	3.2 mm	9.7 mm	6 mm	2.5 - 6.5 mm	500	168685
Multi purpose blind rivet	4 mm	11.3 mm	8 mm	2.5 - 7.5 mm	500	168686
Multi purpose blind rivet	4.8 mm	12 mm	9.5 mm	2 - 7 mm	500	110239
Multi purpose blind rivet	4.8 mm	16.9 mm	9.5 mm	7 - 12 mm	500	110240

AGR: 01.461

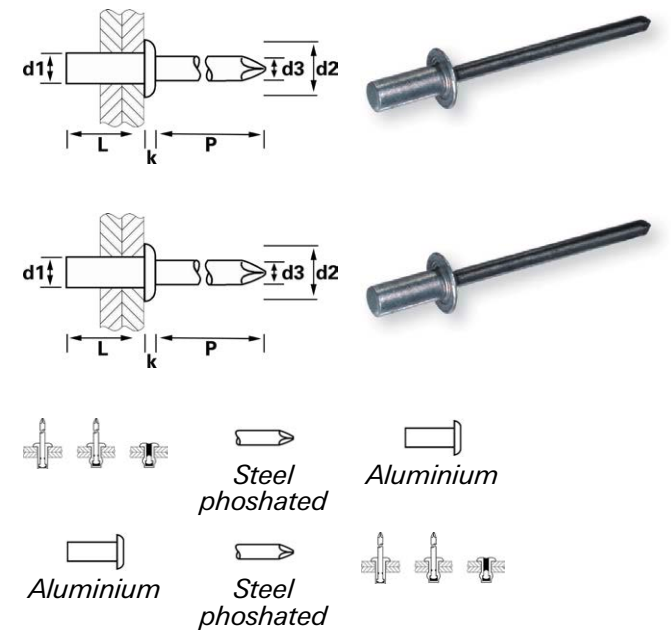
1

Sealing blind rivets, flat head, aluminium/steel

- Closed rivets with cup-shaped rivet shank for airtight and water-tight rivet joints

Characteristics

- Sleeve: Aluminium
- Mandrel: Steel phosphated



	3,2	4,0	4,8
Ø-d1 mm	3,2	4,0	4,8
Drill-Ø mm	3,3	4,1	4,9
Ø-d2 mm	6,0	8,0	9,5
k mm	1,4	1,7	2,0
P mm	min. 27	min. 27	min. 27
Ø-d3 mm	1,7	2,18	2,63
Brown Steel Shear breaking load N	1070	1710	2230
Tensile breaking stress N	1245	2240	3070

Sealing blind rivets, flat head, aluminium/steel

Title	Husks Ø	Length, Sleeve	Ø head	Clamping range	PU Piece	Article No.
Sealing blind rivet	3.2 mm	6.5 mm	6 mm	0.5 - 2 mm	500	012054
Sealing blind rivet	3.2 mm	8 mm	6 mm	2 - 3.5 mm	500	012055
Sealing blind rivet	3.2 mm	9.5 mm	6 mm	3.5 - 5 mm	500	012056
Sealing blind rivet	3.2 mm	11 mm	6 mm	5 - 6.5 mm	500	802770
Sealing blind rivet	3.2 mm	12.7 mm	6 mm	6.5 - 8 mm	500	012057
Sealing blind rivet	4 mm	8 mm	8 mm	0.5 - 3.5 mm	500	012058
Sealing blind rivet	4 mm	9.5 mm	8 mm	3.5 - 4.5 mm	500	012059
Sealing blind rivet	4 mm	11 mm	8 mm	5 - 6.5 mm	500	802817
Sealing blind rivet	4 mm	12.7 mm	8.1 mm	6.5 - 8 mm	500	109600
Sealing blind rivet	4.8 mm	8 mm	9.5 mm	1 - 3 mm	500	012061
Sealing blind rivet	4.8 mm	11 mm	9.5 mm	4.5 - 6 mm	100/500	012063
Sealing blind rivet	4.8 mm	12.5 mm	9.5 mm	6 - 7.5 mm	500	012064
Sealing blind rivet	4.8 mm	14 mm	9.5 mm	7.5 - 9.5 mm	500	012065

INTERNAL/Approved (2019-03-22 14:28:52)

Sealing blind rivets, flat head, aluminium/steel						
Title	Husks Ø	Length, Sleeve	Ø head	Clamping range	PU Piece	Article No.
Sealing blind rivet	4.8 mm	16 mm	9.8 mm	9 - 11 mm	500	109601

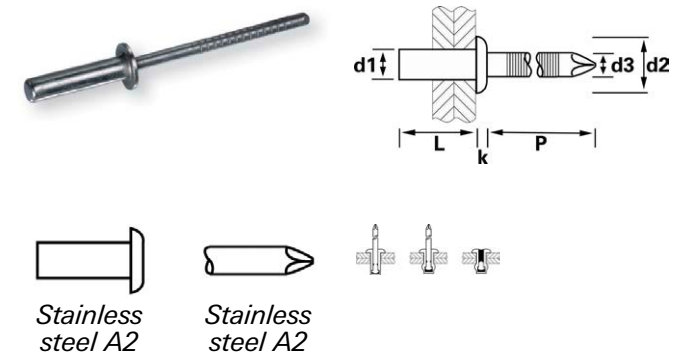
AGR: 01.471

Sealing blind rivets, flat head, stainless steel A2/stainless steel A2

- Closed rivet with a cup-shaped rivet shank for air- and water-proofed fixings

Characteristics

- Sleeve: Stainless steel A2
- Mandrel: Stainless steel A2



Ø-d1 mm	3,2	4,0	4,8
Drill-Ø mm	3,3	4,1	4,9
Ø-d2 mm	6,0	8,0	9,5
k mm	0,9	1,3	1,6
P mm	min. 27	min. 27	min. 27
Ø-d3 mm	1,9	2,3	2,9
Shear breaking load N	2000	3000	4500
Tensile breaking stress N	2500	4000	5500

Sealing blind rivets, flat head, stainless steel A2/stainless steel A2						
Title	Husks Ø	Length, Sleeve	Ø head	Clamping range	PU Piece	Article No.
Sealing blind rivet	3.2 mm	8 mm	6 mm	1.5 - 3 mm	250	110298
Sealing blind rivet	3.2 mm	9.5 mm	6 mm	3 - 5 mm	250	110300
Sealing blind rivet	4 mm	9.5 mm	8 mm	3 - 5 mm	250	110304

AGR: 01.474

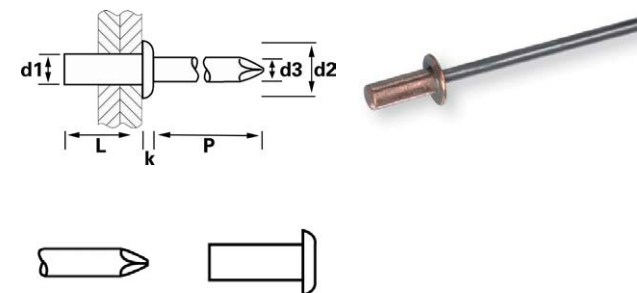
Sealing blind rivets, flat head, copper/steel

1

- Closed rivet with a cup-shaped rivet shank for air- and water-proofed fixings

Characteristics

- Sleeve: polished copper
- Mandrel: oiled steel



Ø-d1 mm	3,2	4,0
Drill-Ø	3,3	4,1
Ø-d2 mm	6,0	8,0
k mm	1,4	1,7
P mm	min. 27	min. 27
Ø-d3 mm	1,7	2,2
Shear breaking load N	850	1350
Tensile breaking stress N	1300	2000

Sealing blind rivets, flat head, copper/steel

Title	Husks Ø	Length, Sleeve	Ø head	Clamping range	PU Piece	Article No.
Sealing blind rivet	3.2 mm	6.5 mm	6 mm	0.5 - 1.5 mm	500	244643
Sealing blind rivet	3.2 mm	12.5 mm	6 mm	5 - 8 mm	500	860299

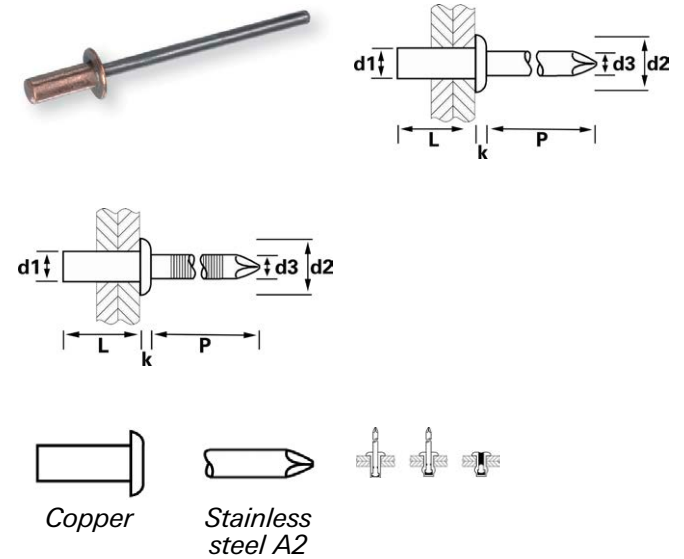
AGR: 01.472

Sealing blind rivets, flat head, copper/stainless steel A2

- Closed rivet with a cup-shaped rivet shank for air- and water-proofed fixings

Characteristics

- Sleeve: Copper
- Mandrel: Stainless steel A2



Ø-d1 mm	3,2	4,0
Drill-Ø	3,3	4,1
Ø-d2 mm	6,0	8,0
k mm	1,4	1,7
P mm	min. 27	min. 27
Ø-d3 mm	1,7	2,2
Shear breaking load N	850	1350
Tensile breaking stress N	1300	2000

Sealing blind rivets, flat head, copper/stainless steel A2

Title	Husks Ø	Length, Sleeve	Ø head	Clamping range	PU Piece	Article No.
Sealing blind rivet	3.2 mm	6.5 mm	6 mm	0.5 - 1.5 mm	500	393380
Sealing blind rivet	3.2 mm	8 mm	6 mm	1 - 3 mm	500	248347
Sealing blind rivet	3.2 mm	9.5 mm	6 mm	2.5 - 4.5 mm	500	393398

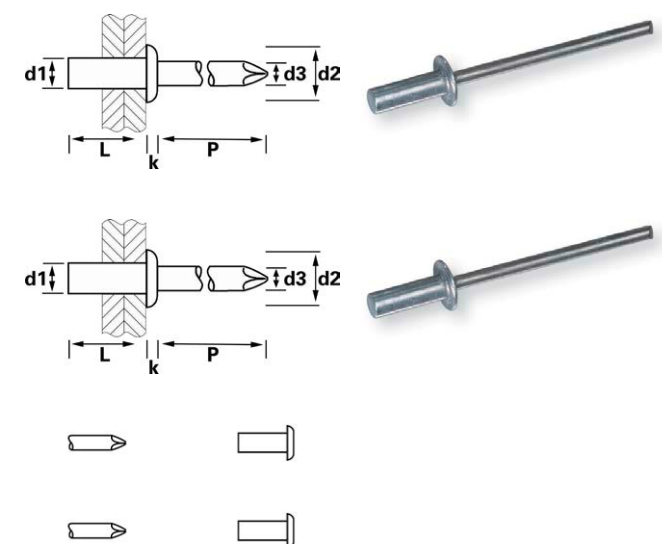
AGR: 01.472

Sealing blind rivets, flat head, aluminium/stainless steel A2

- Closed rivet with a cup-shaped rivet shank for air- and water-proofed fixings

Characteristics

- Sleeve: Aluminum, polished
- Mandrel: stainless steel A2, polished



Rivets

1

Ø-d1 mm	3,2	4,0	4,8
Drill-Ø mm	3,3	4,1	4,9
Ø-d2 mm	6,0	8,0	9,5
k mm	1,4	1,7	2,0
P mm	min. 27	min. 27	min. 27
Ø-d3 mm	1,7	2,2	2,65
Shear breaking load N	1070	1710	2230
Tensile breaking stress N	1245	2240	3070

Sealing blind rivets, flat head, aluminium/stainless steel A2

Title	Husks Ø	Length, Sleeve	Ø head	Clamping range	PU Piece	Article No.
Sealing blind rivet	3.2 mm	6.5 mm	6 mm	0.5 - 2 mm	500	244597*
Sealing blind rivet	3.2 mm	8 mm	6 mm	2 - 3.5 mm	500	244600*
Sealing blind rivet	3.2 mm	9.5 mm	6 mm	3.5 - 5 mm	500	244619*
Sealing blind rivet	4 mm	9.5 mm	8 mm	3.5 - 4.5 mm	500	244627*
Sealing blind rivet	4 mm	11 mm	8 mm	4.5 - 6.5 mm	500	244635*
Sealing blind rivet	4.8 mm	9.5 mm	9.5 mm	3 - 4.5 mm	500	393355*
Sealing blind rivet	4.8 mm	11 mm	9.5 mm	4.5 - 6 mm	500	393363

* = The delivery time is 30 days

AGR: 01.471

Spread blind rivets, flat head, aluminium/steel

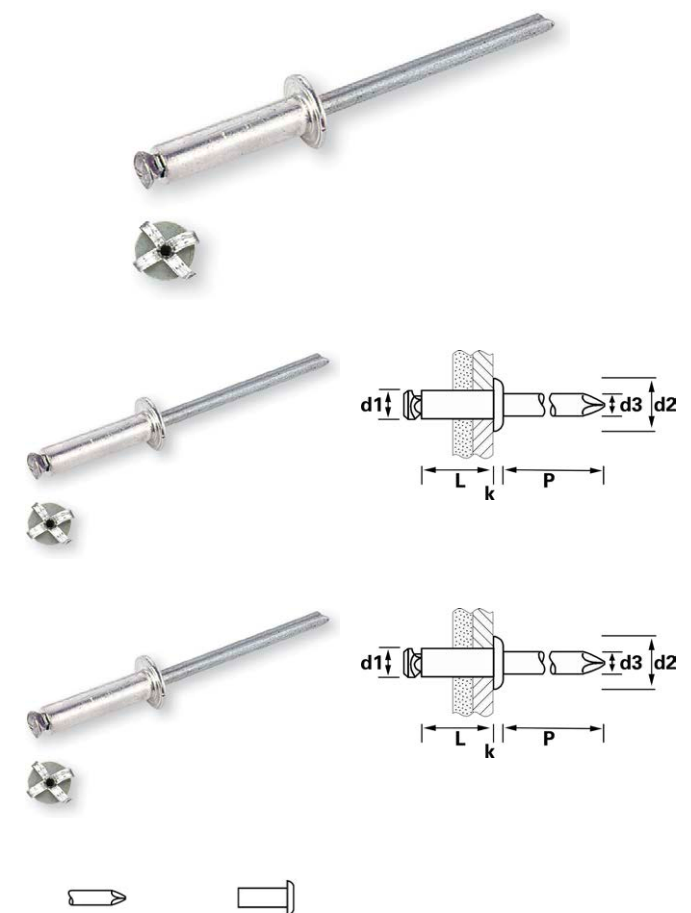
- Rivet with 4 cutting edges, which produced by setting spreading of the rivet sleeve in 4 tabs
- Spread rivets provides a wide contact surface and thus a good grip

Application Area

- Used for riveting of soft or brittle material, wood, insulation materials, plastics, plasterboard

Characteristics

- Sleeve: AlMg3,5 aluminum, polished
- Dorn: galvanized steel



Ø-d1 mm	4,0	4,8
Drill-Ø mm	max. 4,5	max. 5,3
Ø-d2 mm	8	9,5
k mm	1,2	1,3
P mm	min. 27	min. 27
Ø-d3 mm	2,3	2,6
Shear breaking load N	1260	2200
Tensile breaking stress N	1150	2400

Spread blind rivets, flat head, aluminium/steel						
Title	Husks Ø	Length, Sleeve	Ø head	Clamping range	PU Piece	Article No.
Spread blind rivet	3.2 mm	10 mm	6 mm	1 - 3 mm	500	896045
Spread blind rivet	3.2 mm	16 mm	6 mm	7 - 9 mm	500	896038
Spread blind rivet	3.2 mm	18 mm	6 mm	9 - 11 mm	500	896021
Spread blind rivet	4 mm	12 mm	8 mm	4 - 6.5 mm	500	911493
Spread blind rivet	4 mm	16 mm	8 mm	8 - 11 mm	500	911495
Spread blind rivet	4 mm	18 mm	8 mm	10 - 13 mm	500	020138
Spread blind rivet	4 mm	20 mm	8 mm	12 - 15 mm	500	168779

INTERNAL/Approved (2019-03-22 14:29:36)

1

Spread blind rivets, flat head, aluminium/steel

Title	Husks Ø	Length, Sleeve	Ø head	Clamping range	PU Piece	Article No.
Spread blind rivet	4.8 mm	10 mm	9 mm	0.5 - 4 mm	100/500	911498
Spread blind rivet	4.8 mm	16 mm	9 mm	6 - 10 mm	500	911501
Spread blind rivet	4.8 mm	20 mm	9 mm	10 - 14 mm	100	911503
Spread blind rivet	4.8 mm	22 mm	9 mm	12 - 16 mm	100/500	805139

AGR: 01.440

Peel blind rivets, flat head, aluminium/aluminium

- Rivet sleeve straddles when putting in 3 parts, so that an optimum grip is ensured even with imprecise holes
- Press tabs rivets provides a wide contact area and thus a good grip

Application Area

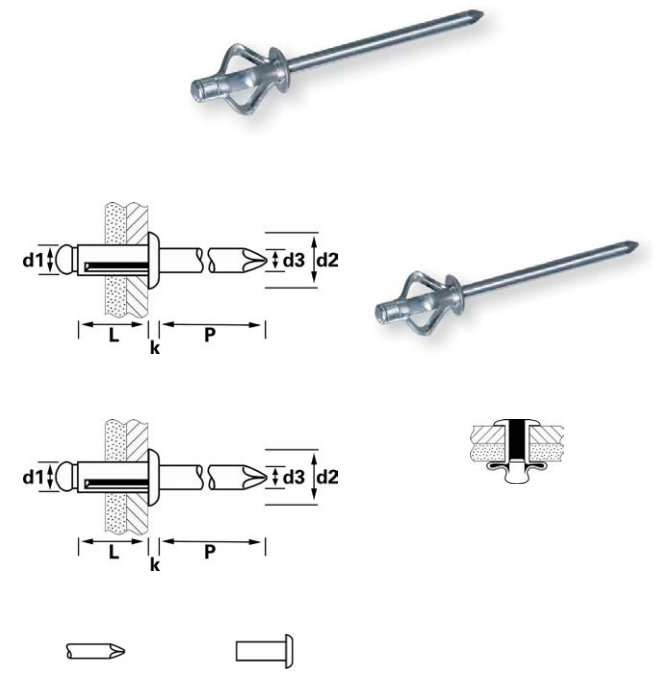
- Fixing of license plate amplifiers

Characteristics

- Sleeve: AlMg2,5 aluminum, polished
- Dorn: AlMg2,5 aluminum, polished

Hints

- Press tabs rivets = general-blind rivets



Ø-d1 mm	4,0	4,8
Drill-Ø mm	max. 4,2-4,4	max. 5,0-5,2
Ø-d2 mm	8,0	9,6
k mm	1,4	1,6
P mm	min. 27	min. 27
Ø-d3 mm	2,5	2,9
Sleeve and mandrel made of aluminum alloy Al Mg	500	900
3 Shear breaking load N		
Tensile breaking stress N	800	1100

Peel blind rivets, flat head, aluminium/aluminium						
Title	Husks Ø	Length, Sleeve	Ø head	Clamping range	PU Piece	Article No.
Peel blind rivet	4 mm	18.8 mm	8 mm	1 - 7 mm	100/500	136740
Peel blind rivet	4.8 mm	15.3 mm	9.6 mm	1 - 4 mm	100/500	914002
Peel blind rivet	4.8 mm	20.5 mm	9.6 mm	1 - 9 mm	100/500	914010
Peel blind rivet	4.8 mm	24.5 mm	9.6 mm	4 - 12 mm	100/250	136741

AGR: 01.420

1

High strength blind rivets, flat head, steel/steel

- Optimal and safe clamping by an extensive flange that is formed on the back of the rivet
- High shear and tensile strength because of the full load-bearing and permanently clamped mandrel
- The mandrel brakes at the height of the head and close the rivet joint dust and splash-waterproof

Application Area

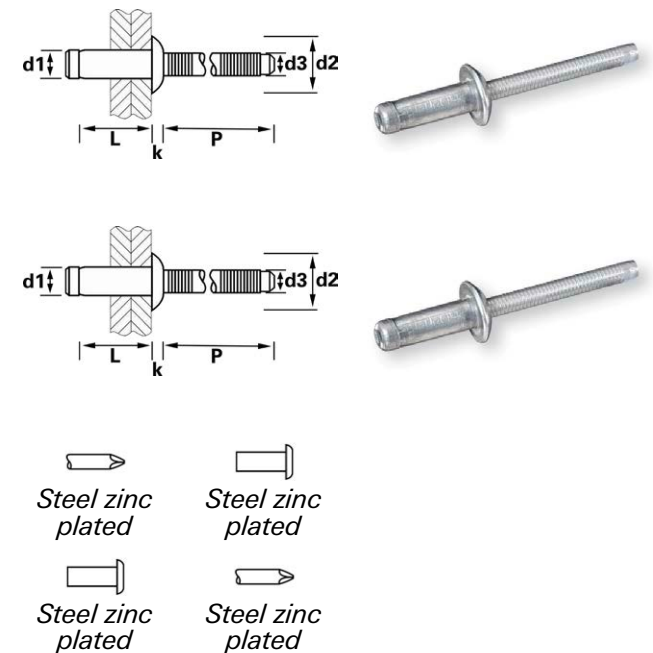
- For rivet joints that encounter high forces because of stress and vibrations

Characteristics

- Sleeve: galvanised steel
- Mandrel: galvanized steel

Processing Information

- All listed shear loads depend on the strength of the material that should be riveted



Ø-d1 mm	4,8	6,4
Drill-Ø mm	5,0	6,6
Ø-d2 mm	9,8	13,0
k mm	2,2	3,0
P mm	min. 32	min. 32
Ø-d3 mm	3,0	4,2
Shear ultimate strength N min.	3920	5390
Shear ultimate strength N max.	6270	11180
Tensile breaking strength N	3500	6470

High strength blind rivets, flat head, steel/steel						
Title	Husks Ø	Length, Sleeve	Ø head	Clamping range	PU Piece	Article No.
High strength blind rivet	4.8 mm	11.5 mm	9.8 mm	3.5 - 6 mm	100	169424
High strength blind rivet	4.8 mm	14 mm	9.8 mm	6 - 8.5 mm	250	169423
High strength blind rivet	4.8 mm	16.5 mm	9.8 mm	8.5 - 11 mm	250	169422
High strength blind rivet	6.4 mm	12.5 mm	13 mm	4.8 - 6.8 mm	100	169419
High strength blind rivet	6.4 mm	14.5 mm	13 mm	6.8 - 8.8 mm	100	169418
High strength blind rivet	6.4 mm	16.5 mm	13 mm	8.8 - 10.8 mm	100	169417
High strength blind rivet	6.4 mm	18.5 mm	13 mm	10.8 - 12.8 mm	100	169416
High strength blind rivet	6.4 mm	20.5 mm	13 mm	12.8 - 14.8 mm	100	169415

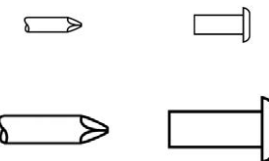
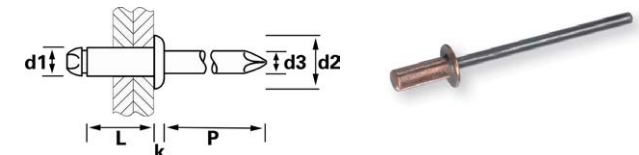
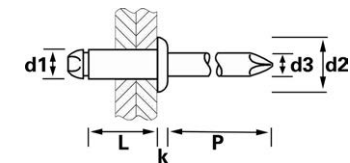
AGR: 01.435

Sealing blind rivets, flat head, copper/steel (Gesipa)

- The CAP-blind rivet is made from a relatively "hard" aluminum alloy. However, this hardness implies that the deformation of the rivet shank is low, with the result that it hardly develops a bearing of the hole. Therefore, the hole tolerance at CAP blind rivets is a very serious issue: without a high drill diameter accuracy, the connection is not tight. The rivet itself does not let through water, but the water flows and drips around the rivet.

Application Area

- Closed blind rivets are known as "CAP blind rivets" at GESIPA. They can be used in areas where the rivet joint should be air- or watertight.



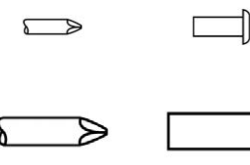
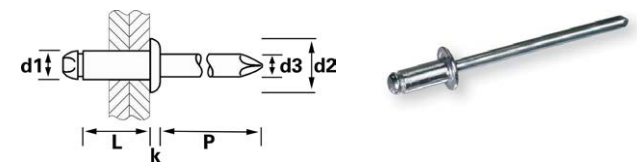
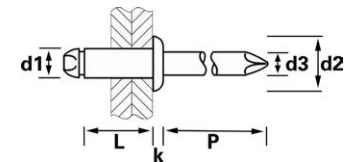
Sealing blind rivets, flat head, copper/steel (Gesipa)							
Title	Husks Ø	Length, Sleeve	Ø head	Clamping range	PU Piece	Article No.	
Sealing blind rivet	4 mm	9.5 mm	8 mm	1 - 4.5 mm	500	148924	

AGR: 01.494

INTERNAL/Approved (2019-03-22 14:30:05)

Blind rivets, flat head, steel/steel (Gesipa)

1



Blind rivets, flat head, steel/steel (Gesipa)

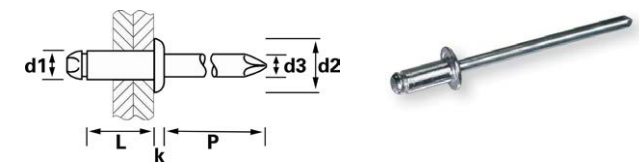
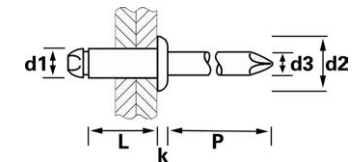
Title	Husks Ø	Length, Sleeve	Ø head	Clamping range	PU Piece	Article No.
Blind rivet	5 mm	10 mm	9.5 mm	4 - 6 mm	500	874234
Blind rivet	5 mm	12 mm	9.5 mm	6 - 8 mm	500	874241
Blind rivet	5 mm	16 mm	9.5 mm	9.5 - 11 mm	500	874265
Blind rivet	5 mm	20 mm	9.5 mm	13 - 15 mm	250	874289
Blind rivet	6 mm	20 mm	12 mm	10.5 - 14.5 mm	100	039661

AGR: 01.494

Blind rivets, flat head, aluminium/steel (Gesipa)



1



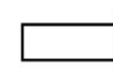
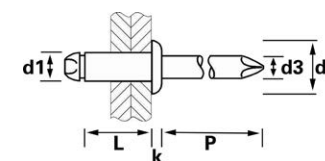
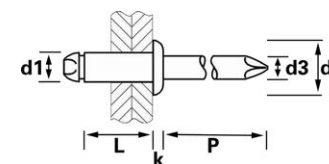
Blind rivets, flat head, aluminium/steel (Gesipa)							
Title	Husks Ø	Length, Sleeve	Ø head	Clamping range	PU Piece	Article No.	
Blind rivet	5 mm	14 mm	9.5 mm	8 - 9.5 mm	500	874258	
Blind rivet	6 mm	10 mm	12 mm	4 - 6 mm	250	874074	
Blind rivet	6 mm	12 mm	12 mm	6 - 8 mm	250	874081	
Blind rivet	6 mm	16 mm	12 mm	8 - 11 mm	250	874098	
Blind rivet	6 mm	18 mm	12 mm	11 - 13 mm	250	874104	
Blind rivet	6 mm	20 mm	12 mm	13 - 15 mm	250	895284	

AGR: 01.494

INTERNAL/Approved (2019-03-22 14:30:20)

Rivets

1 Blind rivets, flat head Ø 12/14 mm, aluminium/steel (Gesipa)



Blind rivets, flat head Ø 12/14 mm, aluminium/steel (Gesipa)

Title	Husks Ø	Length, Sleeve	Ø head	Clamping range	PU Piece	Article No.
Blind rivet	4 mm	12 mm	12 mm	6.5 - 8.5 mm	500	849188
Blind rivet	5 mm	30 mm	14 mm	21 - 25 mm	100	937444

AGR: 01.494

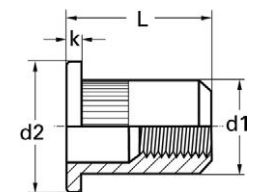
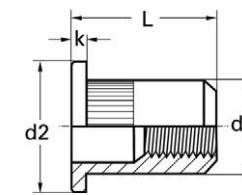
Blind rivet nuts, flat head, aluminium

Application Area

- Preferred use in slightly solid materials and in components with strong surface coating, as knurling provides a better rotation lock

Characteristics

- Knurled round shank, open
- Aluminium AlMg5.0



Gewinde	M 4	M 5	M 6	M 8	M 10
Bohr-Ø mm	6,0	7,0	9,0	11,0	12,0
Ø-d1 mm	5,9	6,9	8,9	10,9	11,9
Ø-d2 mm	9,0	10,0	12,0	15,0	16,0
k mm	1,1	1,1	1,6	1,6	2,1
max. Anzugsdrehmoment Nm	4,0	5,0	11,3	14,6	20,0
Scherbruchlast N	1.070	1.170	2.280	2.450	3.820
Zugbruchlast N	2.840	4.900	9.300	14.700	21.500

Blind rivet nuts, flat head, aluminium

Title	Thread	Length	Clamping range	PU Piece	Article No.
Blind rivet nut	M 4	11 mm	0.5 - 3 mm	100	120012
Blind rivet nut	M 5	13 mm	0.5 - 3 mm	100	120015
Blind rivet nut	M 5	16 mm	3 - 5.5 mm	100	120016
Blind rivet nut	M 6	15.5 mm	1.5 - 3 mm	250	142668
Blind rivet nut	M 6	16 mm	0.5 - 3 mm	100	120017
Blind rivet nut	M 6	18.5 mm	3 - 5.5 mm	100	120018
Blind rivet nut	M 8	17.5 mm	0.5 - 3 mm	100	120019
Blind rivet nut	M 8	20 mm	3 - 5.5 mm	100	120020

AGR: 01.105

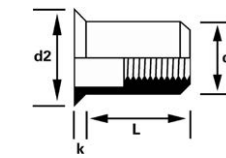
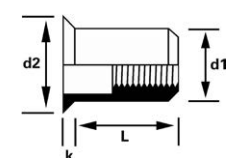
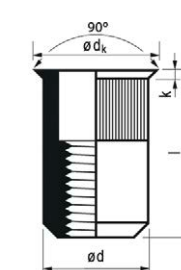
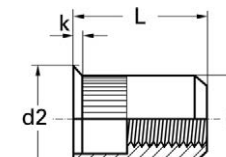
1 Blind rivet nuts, reduced countersunk head, aluminium

Application Area

- Preferred use in slightly solid materials and in components with strong surface coating, as knurling provides a better rotation lock

Characteristics

- Alloyed aluminum AlMg 3



Blind rivet nuts, reduced countersunk head, aluminium

Title	Thread	Length	Clamping range	PU Piece	Article No.
Blind rivet nut	M 4	10 mm	0.5 - 3 mm	100	129321
Blind rivet nut	M 5	11.5 mm	0.5 - 3 mm	100	129320

INTERNAL/Approved (2019-03-22 14:30:46)

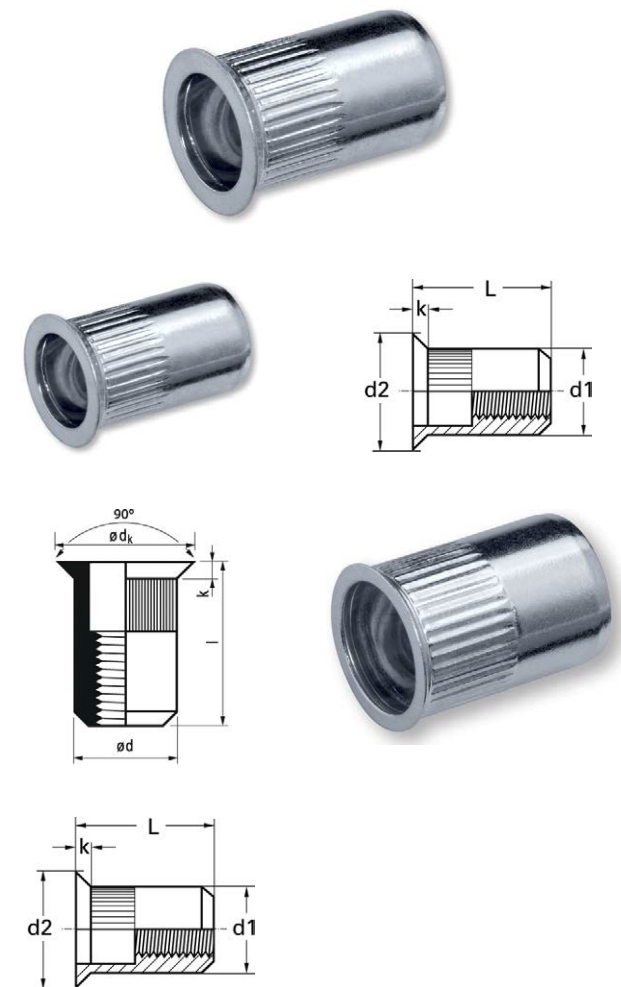
Blind rivet nuts, countersunk head, steel zinc plated

Application Area

- Preferred use in slightly solid materials and in components with strong surface coating, as knurling provides a better rotation lock

Characteristics

- Knurled round shank, open
- Countersink head 90°



Gewinde	M 4	M 5	M 6	M 8
Bohr-Ø	6,0	7,0	9,0	11,0
Ø-d1 mm	5,9	6,9	8,9	10,9
Ø-d2 mm	8,5	9,5	11,5	13,5
k mm	1,5	1,5	1,5	1,5
max. Anzugsdrehmoment Nm	4,0	5,0	16,0	20,0
Scherbruchlast N	2.210	2.320	3.660	4.720
Zugbruchlast N	7.860	10.780	16.660	30.840

Blind rivet nuts, countersunk head, steel zinc plated

Title	Thread	Length	Clamping range	PU Piece	Article No.
Blind rivet nut	M 4	12.5 mm	1.5 - 4 mm	100	120003
Blind rivet nut	M 5	12.5 mm	1.7 - 3 mm	100	880273
Blind rivet nut	M 5	13.5 mm	1.5 - 4 mm	100	120004
Blind rivet nut	M 6	15.5 mm	1.5 - 4 mm	100	120005
Blind rivet nut	M 6	18 mm	4 - 6.5 mm	100	344095
Blind rivet nut	M 8	18.5 mm	1.5 - 4 mm	100	120006
Blind rivet nut	M 8	21 mm	4 - 6.5 mm	100	344096

INTERNAL/Approved (2019-03-22 14:30:48)

1

Blind rivet nuts, countersunk head, steel zinc plated					
Title	Thread	Length	Clamping range	PU Piece	Article No.
Blind rivet nut	M 10	21 mm	2 - 4.5 mm	100	120007
Blind rivet nut	M 10	24 mm	4.5 - 7.5 mm	100	344097
Blind rivet nut	M 12	24.5 mm	2 - 4.5 mm	100	344098

AGR: 01.100

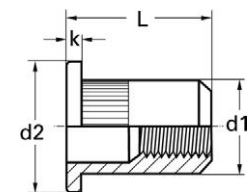
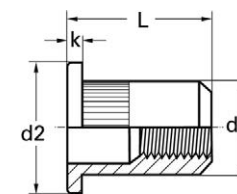
Blind rivet nuts, flat head, steel zinc plated

Application Area

- Preferred use in slightly solid materials and in components with strong surface coating, as knurling provides a better rotation lock

Characteristics

- Knurled round shank, open



Gewinde	M 4	M 5	M 6	M 8	M 10
Bohr-Ø mm	6,0	7,0	9,0	11,0	12,0
Ø-d1 mm	5,9	6,9	8,9	10,9	11,9
Ø-d2 mm	9,0	10,0	12,0	15,0	16,0
k mm	1,1	1,1	1,6	1,6	2,1
max. Anzugsdrehmoment Nm	4,5	7,8	20,0	29,0	32,0
Scherbruchlast N	1.660	2.760	3.430	4.410	4.900
Zugbruchlast N	7.840	11.070	17.640	27.440	29.400

Blind rivet nuts, flat head, steel zinc plated					
Title	Thread	Length	Clamping range	PU Piece	Article No.
Blind rivet nut	M 4	11 mm	0.5 - 3 mm	100	119923
Blind rivet nut	M 5	13 mm	0.5 - 3 mm	100	119925
Blind rivet nut	M 5	16 mm	3 - 5.5 mm	100	119926
Blind rivet nut	M 6	16 mm	0.5 - 3 mm	100	119933
Blind rivet nut	M 6	18.5 mm	3 - 5.5 mm	100	119937
Blind rivet nut	M 8	17.5 mm	0.5 - 3 mm	100	119946
Blind rivet nut	M 8	20 mm	3 - 5.5 mm	100	119948

INTERNAL/Approved (2019-03-22 14:30:54)

Blind rivet nut	M 10	19 mm	0.5 - 3 mm	100	119958
-----------------	------	-------	------------	-----	--------

AGR: 01.101

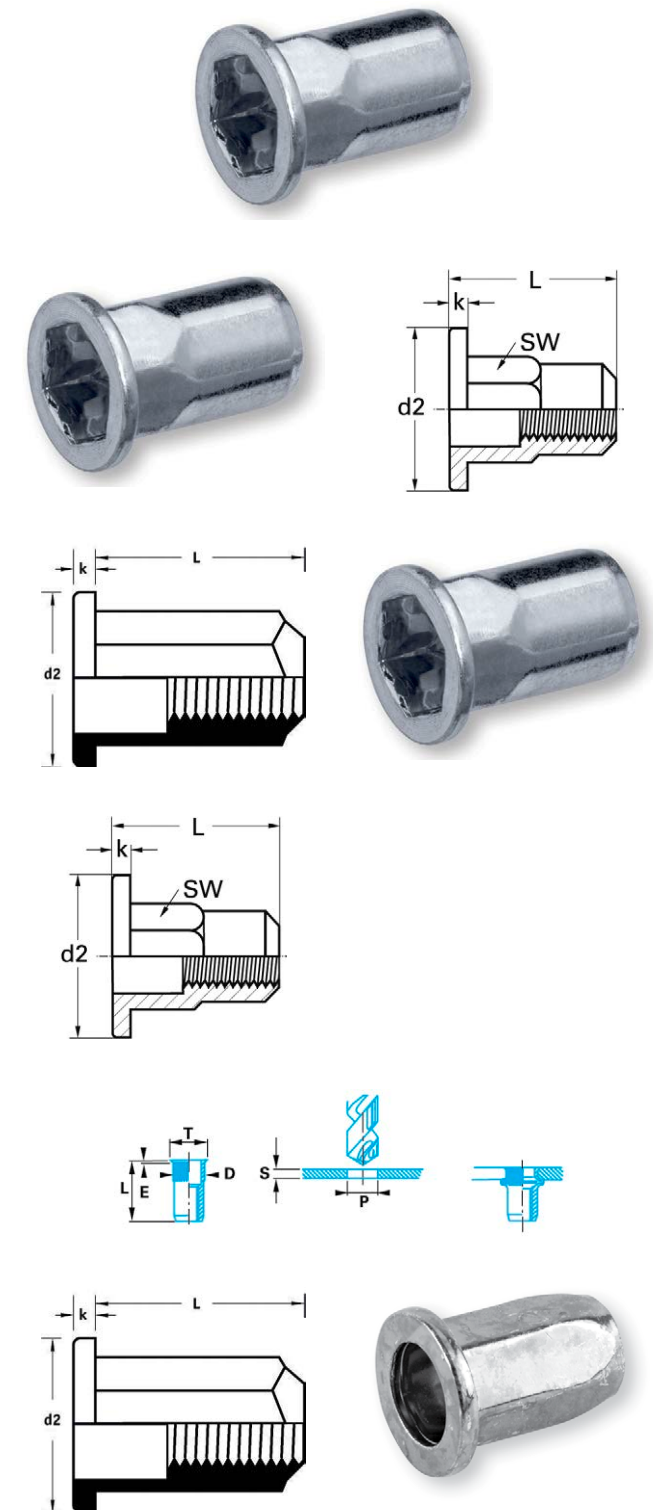
Hexagon blind rivet nuts, flat head, steel zinc plated

Application Area

- Preferred use in coated components, as a positive rotation lock is achieved by a hexagonal
- High rotation lock

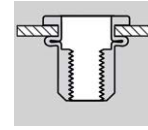
Characteristics

- Combined hexagonal round shank, open



Rivets

1



Gewinde	M 5	M 6	M 8
Bohr-Ø mm	7,1	9,1	11,1
SW mm	7,0	9,0	11,0
Ø-d2 mm	10,5	12,5	14,5
k mm	1,1	1,6	1,6
max. Anzugsdrehmoment Nm	7,0	14,0	22,0
Scherbruchlast N	1.900	2.900	3.000
Zugbruchlast N	8.800	16.600	21.500

Hexagon blind rivet nuts, flat head, steel zinc plated

Title	Thread	Length	Clamping range	PU Piece	Article No.
Hexagon blind rivet nut	M 5	14.5 mm	0.5 - 3 mm	100	132150
Hexagon blind rivet nut	M 6	17 mm	0.5 - 3 mm	100	132149
Hexagon blind rivet nut	M 8	19 mm	0.5 - 3 mm	100	132151

AGR: 01.101

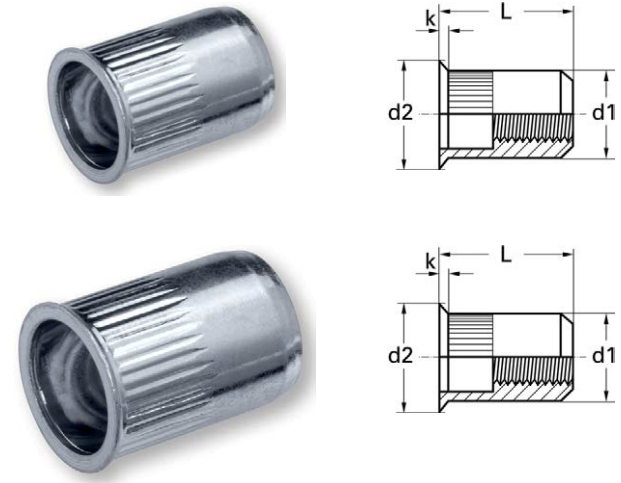
Blind rivet nuts, reduced countersunk head, steel zinc plated

Application Area

- Preferred use in slightly solid materials and in components with strong surface coating, as knurling provides a better rotation lock

Characteristics

- Knurled round shank, open
- Reduced countersunk head 90°



Gewinde	M 4	M 5	M 6	M 8	M 10
Bohr-Ø	6,0	7,0	9,0	11,0	12,0
Ø-d1 mm	5,9	6,9	8,9	10,9	11,9
Ø-d2 mm	7,0	8,0	10,0	12,0	13,5
k mm	0,7	0,7	0,7	0,7	0,9
max. Anzugsdrehmoment Nm	4,0	5,0	15,0	18,0	30,0
Scherbruchlast N	1.620	2.190	2.350	2.840	4.260
Zugbruchlast N	6.470	9.090	16.660	21.610	31.750

Blind rivet nuts, reduced countersunk head, steel zinc plated

Title	Thread	Length	Clamping range	PU Piece	Article No.
Blind rivet nut	M 4	10 mm	0.5 - 3 mm	100	143711
Blind rivet nut	M 5	11.5 mm	0.5 - 3 mm	100	143713
Blind rivet nut	M 6	14 mm	0.5 - 3 mm	100	143714
Blind rivet nut	M 8	15.5 mm	0.5 - 3 mm	100	161113
Blind rivet nut	M 10	19.5 mm	0.8 - 3.5 mm	50	120008

AGR: 01.100

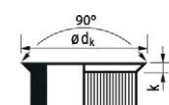
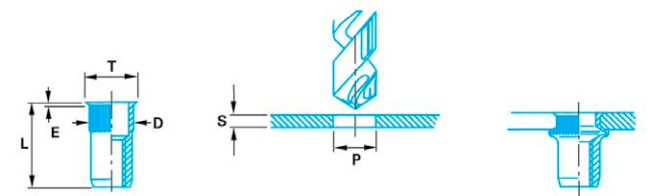
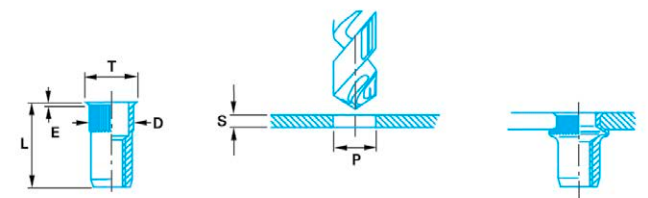
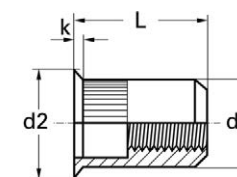
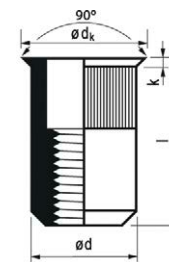
1 Blind rivet nuts, reduced countersunk head, stainless steel A2

Application Area

- Preferred use in slightly solid materials and in components with strong surface coating, as knurling provides a better rotation lock

Characteristics

- Knurled round shank, open
- Small countersink head 90°
- Stainless steel A2, polished



Blind rivet nuts, reduced flat head, steel yellow zinc plated (Heymann, AKS)

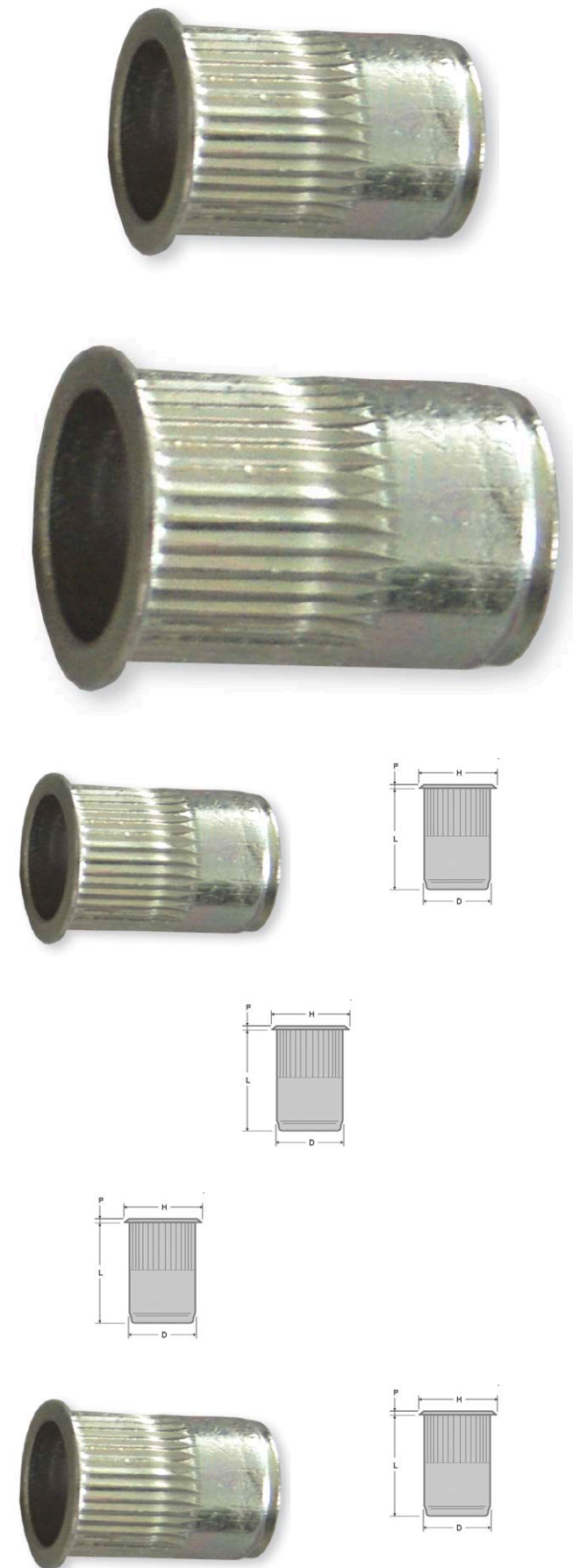
- Suitable for flush mounting
- Can also be use in lowered mounting holes

Application Area

- Suitable for the installation in round pipes and profiles
- Optimal adjustment to the shape of the workpiece

Characteristics

- Low head height and head width
- Material: steel 1010/1008
- Surface: galvanized, yellow chromated according to ASTM B-633
- Type II FE / ZN.0003 (8m) with colorless sliding coating



1

Gesipa GBM ALU blind rivet nut box

1

Application Area

- The aluminium blind-rivet equipment for handcraft, repair workshops, filling stations, locksmiths, installation companies etc.

Hints

- Not suitable for the assortment-safe

Scope Of Delivery

- Mandrel 4 mm and mouth piece
- Mandrel 5 mm and mouthpiece
- Mandrel 6 mm and mouthpiece

Title	PU Assortment	Article No.
FACE PACK GBM POP RIV NUT-BOX	1	011673

AGR: 07.930

Scope Of Supply	Piece	Article No.
Hand Rivet Pliers	1	114049
Blind Rivet Nuts Cylindrical Head/ ST Serration M5x13 steel zinc-plated	35	119925
Blind Rivet Nuts Countersunk Head ST Serration M4x11 Aluminium	45	120012
Blind Rivet Nuts Countersunk Head ST Serration M5x16 Aluminium	35	120016
Blind Rivet Nuts Countersunk Head ST Serration M6x18,5 Aluminium	30	120018



Strip Pins

1


Title	Nominal Ø	Total Length	PU Amount	Article No.
TIKO-STRIP PINS 1.5X20 ZP	1.5 mm	20 mm	1000	877198
STRIP PINS]2000[1.5X25	1.5 mm	25 mm	1	001385
TIKO-STRIP PINS 1.5X25 ZP	1.5 mm	25 mm	1000	861791
TIKO-STRIP PINS 1.5X30 ZP	1.5 mm	30 mm	1000	861807
STRIP PINS]1500[1.5X35	1.5 mm	35 mm	1	001386
TIKO-STRIP PINS 1.5X35 ZP	1.5 mm	35 mm	1000	861814
TIKO-STRIP PINS 1.5X45 ZP	1.5 mm	45 mm	1000	861838

AGR: 01.553

Impact Nail zinc plated

1



Title	Nominal Ø	Length Without Head	PU Piece	Article No.
RH-IMPACT NAIL 3.5X 25 ZP	3.5 mm	25 mm	100	879727
RH-IMPACT NAIL 3.5X 30 ZP	3.5 mm	30 mm	100	879734
RH-IMPACT NAIL 3.5X 40 ZP	3.5 mm	40 mm	100	879741

AGR: 01.511

Steel Nail blue RH



1

Title	Nominal Ø	Length Without Head	PU Piece	Article No.
HARDSTEELNAILS LK 2,0 X 20 BL	2 mm	20 mm	100	151862
STEEL NAIL RH 2.0X40 BLUE	2 mm	40 mm	1000	120790
STEEL NAIL RH 2.0X23 BLUE	2 mm	23 mm	1000	861555
STEEL NAIL RH 2.0X30 BLUE	2 mm	30 mm	1000	120782
STEEL NAIL RH 2.5X50 BLUE	2.5 mm	50 mm	1000	861609
STEEL NAIL RH 2.5X60 BLUE	2.5 mm	60 mm	1000	861616
STEEL NAIL RH 3.0X70 BLUE	3 mm	70 mm	100	861630
HARDSTEELNAILS LK 3,5 X 70 BL	3.5 mm	70 mm	100	151866

AGR: 01.505 / 01.511

Steel Nail blue CSK



Title	Nominal Ø	Length Without Head	PU Piece	Article No.
STEELNAILS SK 2,0 X 30 BLUE	2 mm	30 mm	100	151955

AGR: 01.505

Steel Nail corrugated

1



Title	Nominal Ø	Length Without Head	PU Piece	Article No.
NAIL CORR 3.5X 35	3.5 mm	35 mm	100	898582
STEEL NAIL CORR. 4.5X100	4.5 mm	100 mm	100	862514
STEEL NAIL CORR. 4.5X 60	4.5 mm	60 mm	100	863092
STEEL NAIL CORR. 4.5X 70	4.5 mm	70 mm	100	863108
STEEL NAIL CORR. 4.5X 80	4.5 mm	80 mm	100	862491

AGR: 01.510

Steel Nails

Application Area

- For universal fastening in concrete, stone, masonry, timber, hardwood, etc.

Characteristics

- Steel nails with a smooth shaft, flat head, galvanized gleam, hardened in the inter-step method, hard, tough, shatterproof and nevertheless elastic



Title	Dimension	Total Length	Ø head	PU Piece	Article No.
Steel Nails	4 x 50 mm	50 mm	4 mm	100	114118
Steel Nails	4 x 60 mm	60 mm	4 mm	100	777870
Steel Nails	4 x 70 mm	70 mm	4 mm	100	777889
Steel Nails	4 x 80 mm	80 mm	4 mm	100	777897
Steel Nails	4 x 100 mm	100 mm	4 mm	100	777919

AGR: 01.512

INTERNAL/Approved (2019-03-22 14:32:05)

Screw Nail zinc plated



1

Title	Nominal Ø	Length Without Head	PU Piece	Article No.
SCREWNAILS 3,4 X 35 ZP	3.4 mm	35 mm	250	151890
SCREWNAILS 3,4 X 65 ZP	3.4 mm	65 mm	250	151939

AGR: 01.505

Colour Nail

1



Title	Dimension	Color	PU Piece	Article No.
COLOUR-NAILS 1.75X25 ELM	1.75 x 25 mm	Ruster	1000	821481
COLOUR-NAILS 1.75X25 GRV	1.75 x 25 mm	Walnut tree	1000	821450
COLOUR-NAILS 1.75X25 MAH	1.75 x 25 mm	Mahagony	1000	821467
COLOUR-NAILS 1.75X25 RSWOOD	1.75 x 25 mm	Palisander	1000	821474
COLOUR-NAILS 1.75X25 SPRUCE	1.75 x 25 mm	Pine [1]	1000	821498
COLOUR-NAILS 1.75X 25 WHITE	1.75 x 25 mm	White	1000	881911
COLOUR-NAILS 1.75X32 ELM	1.75 x 32 mm	Ruster	1000	821542
COLOUR-NAILS 1.75X32 SPRUCE	1.75 x 32 mm	Pine [1]	1000	821535
COLOUR-NAILS 1.75X32 WALNUT	1.75 x 32 mm	Walnut tree	1000	821528
COLOUR-NAILS 1.75X32 WHITE	1.75 x 32 mm	White	1000	881904
COLOUR-NAILS 1.75X40 ELM	1.75 x 40 mm	Ruster	1000	821580
COLOUR-NAILS 1.75X40 MAH	1.75 x 40 mm	Mahagony	1000	821566
COLOUR-NAILS 1.75X40 RSWOOD	1.75 x 40 mm	Palisander	1000	821559
COLOUR-NAILS 1.75X40 WALNUT	1.75 x 40 mm	Walnut tree	1000	821597
COLOUR-NAILS 1.75X40 WHITE	1.75 x 40 mm	White	1000	881898

AGR: 01.502

Double head pins



1

Title	Nominal Ø	Length Without Head	Total Length	Content Kilogram	PU Carton	Article No.
5KG DOUBLE-HEAD PINS 3.1X65MM	3.1 mm	65 mm	75 mm	5 kg	1	161199

AGR: 01.519

1

Nails DIN 1151 B

Application Area

- For all hand thick applications like shutterings, wood connections, provisional fastenings

Characteristics

- Form B countersunk head with ribbed checkered shank, blank erection



Title	Dimension	Content Kilogram	Total Length	PU Package	Article No.
NAILS 2,00X40 DIN1151B 2,5KG	2 x 40 mm	2.5 kg	40 mm	1	059543
2,20X50 DIN1151B 2,5KG	2.2 x 50 mm	2.5 kg	50 mm	1	059544
NAILS 2,50X60 DIN1151B 2,5KG	2.5 x 60 mm	2.5 kg	60 mm	1	081984
3,10X70 DIN1151B 5KG	3.1 x 70 mm	5 kg	70 mm	1	059545
NAILS 3,40X90 DIN1151B 5KG	3.4 x 90 mm	5 kg	90 mm	1	059546
NAILS 4,60X130 DIN1151B 5KG	4.6 x 130 mm	5 kg	130 mm	1	059547
NAILS 5,00X140 DIN 1151B 5KG	5 x 140 mm	5 kg	140 mm	1	120466
NAILS 5,00X150 DIN 1151B 5KG	5 x 150 mm	5 kg	150 mm	1	120467
NAILS 5,50X160 DIN 1151B 5KG	5.5 x 160 mm	5 kg	160 mm	1	120468
NAILS 6,00X180 DIN 1151B 5KG	6 x 180 mm	5 kg	180 mm	1	120469
Nail	1.8 x 30 mm	2.5 kg	30 mm	1	034197
Nail	3.1 x 80 mm	5 kg	80 mm	1	933362
Nail	3.8 x 100 mm	5 kg	100 mm	1	034093
Nail	4.2 x 120 mm	5 kg	120 mm	1	037158

AGR: 01.550

10x5kg Nail DIN1151B



1

Title	Nominal Ø	Total Length	Content Kilogram	PU Assortment	Article No.
10X5KG NAILS 3,10X70 DIN1151B	3.1 mm	70 mm	50 kg	1	210755
10X5KG NAILS 3,40X90 DIN1151B	3.4 mm	90 mm	50 kg	1	210756
10X5KG NAILS 3,8X100 DIN1151B	3.8 mm	-	50 kg	1	210754

AGR: 01.550

1

Roofing Felt Nails hot dip galvanized



Title	Dimension	Content Kilogram	PU Package	Article No.
ROOF.FLT.NAILS FZP 25/20 2,5KG	2.5 x 20 mm	2.5 kg	1	103890
ROOF.FLT.NAILS FZP 25/25 2,5KG	2.5 x 25 mm	2.5 kg	1	103889
ROOF.FLT.NAILE FZP 25/30 2,5KG	2.5 x 30 mm	2.5 kg	1	121797
ROOF.FLT.NAILS FZP 25/35 2,5KG	2.5 x 35 mm	2.5 kg	1	103888

AGR: 01.507

Rafter Nails

Application Area

- Attachment and fastening of rafters on purlins or for other wooden structures

Characteristics

- Load capacity class III according to DIN 1052 Part 2, Section 6 / 7, galvanized rafter nail

Processing Information

- By dimensions 6.0 x 180 mm, the rafters should be pre-drilled



1

Title	Dimension	PU Piece	Article No.
RAFTER NAILS 6,0 X 180 ZP	6 x 180 mm	100	151882
RAFTER NAILS 6,0 X 280 ZP	6 x 280 mm	100	151889

AGR: 01.505

1

DIN 94, steel zinc plated

Application Area

- Securing of castellated nuts in conjunction with screws or threaded pins with pinhole (for example, steering and tracking rod)
- Securing of cotter bolts

Hints

- Nominal dimension= hole-Ø



DIN 94, steel zinc plated							
Title	Nominal Ø	Length	Ø d1	Ø d1, max.	PU Piece	Article No.	
Split pin	1 mm	20 mm	0.8 mm	0.9 mm	250	002003	
Split pin	1.6 mm	20 mm	1.3 mm	1.4 mm	250	002011	
Split pin	1.6 mm	32 mm	1.3 mm	1.4 mm	250	002020	
Split pin	2 mm	20 mm	1.7 mm	1.8 mm	250	002038	
Split pin	2 mm	25 mm	1.7 mm	1.8 mm	250	002046	
Split pin	2 mm	32 mm	1.7 mm	1.8 mm	250	002054	
Split pin	2 mm	40 mm	1.7 mm	1.8 mm	250	002062	
Split pin	2.5 mm	32 mm	2.1 mm	2.3 mm	250	002070	
Split pin	2.5 mm	40 mm	2.1 mm	2.3 mm	250	002089	
Split pin	3.2 mm	32 mm	2.7 mm	2.9 mm	250	002097	
Split pin	3.2 mm	40 mm	2.7 mm	2.9 mm	250	002100	
Split pin	3.2 mm	50 mm	2.7 mm	2.9 mm	250	002119	
Split pin	3.2 mm	63 mm	2.7 mm	2.9 mm	250	002127	
Split pin	3.5 mm	35 mm	3 mm	3.2 mm	250	805337	
Split pin	3.5 mm	40 mm	3 mm	3.2 mm	250	002135	
Split pin	3.5 mm	50 mm	3 mm	3.2 mm	250	805344	
Split pin	3.5 mm	63 mm	3 mm	3.2 mm	250	805351	
Split pin	4 mm	32 mm	3.5 mm	3.7 mm	250	002143	
Split pin	4 mm	40 mm	3.5 mm	3.7 mm	250	002151	
Split pin	4 mm	50 mm	3.5 mm	3.7 mm	250	002160	
Split pin	4 mm	63 mm	3.5 mm	3.7 mm	250	002178	
Split pin	4.5 mm	50 mm	4 mm	4.2 mm	250	182010	
Split pin	5 mm	40 mm	4.4 mm	4.6 mm	250	108590	

INTERNAL/Approved (2019-03-22 14:32:54)

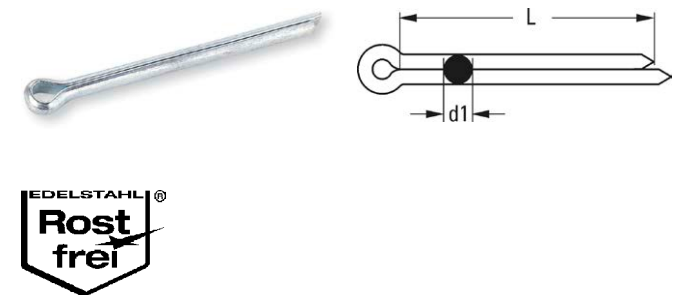
DIN 94, steel zinc plated							
Title	Nominal Ø	Length	Ø d1	Ø d1, max.	PU Piece	Article No.	
Split pin	5 mm	50 mm	4.4 mm	4.6 mm	250	002186	
Split pin	5 mm	63 mm	4.4 mm	4.6 mm	100	002194	
Split pin	5 mm	71 mm	4.4 mm	4.6 mm	250	583367	
Split pin	5 mm	90 mm	4.4 mm	4.6 mm	250	039526	
Split pin	6.3 mm	63 mm	5.7 mm	5.9 mm	100	002208	
Split pin	6.3 mm	71 mm	5.7 mm	5.9 mm	100	002216	
Split pin	6.3 mm	80 mm	5.7 mm	5.9 mm	100	002224	
Split pin	8 mm	71 mm	7.3 mm	7.5 mm	100	002232	
Split pin	8 mm	80 mm	7.3 mm	7.5 mm	100	002240	
Split pin	8 mm	100 mm	7.3 mm	7.5 mm	100	002259	

AGR: 01.311

DIN 94, stainless steel A2

Application Area

- Securing of castellated nuts in conjunction with screws or threaded pins with pinhole (for example, steering and tracking rod)
- Securing of cotter bolts



Hints

- d1 = nominal size = Hole-Ø

DIN 94, stainless steel A2							
Title	Nominal Ø	Length	Ø d1	Ø d1, max.	PU Piece	Article No.	
Split pin	1 mm	6 mm	0.8 mm	0.9 mm	1000	096756*	
Split pin	1 mm	8 mm	0.8 mm	0.9 mm	1000	096757*	
Split pin	1 mm	10 mm	0.8 mm	0.9 mm	1000	096758*	
Split pin	1 mm	12 mm	0.8 mm	0.9 mm	1000	096759*	
Split pin	1 mm	16 mm	0.8 mm	0.9 mm	1000	096760*	
Split pin	1 mm	18 mm	0.8 mm	0.9 mm	1000	096761*	
Split pin	1 mm	20 mm	0.8 mm	0.9 mm	1000	096762*	
Split pin	1 mm	22 mm	0.8 mm	0.9 mm	1000	096763*	
Split pin	1 mm	25 mm	0.8 mm	0.9 mm	1000	096764*	

INTERNAL/Approved (2019-03-22 14:33:43)

Securing elements

1

DIN 94, stainless steel A2						
Title	Nominal Ø	Length	Ø d1	Ø d1, max.	PU Piece	Article No.
Split pin	1 mm	28 mm	0.8 mm	0.9 mm	1000	096765*
Split pin	1 mm	32 mm	0.8 mm	0.9 mm	1000	096766*
Split pin	1 mm	36 mm	0.8 mm	0.9 mm	1000	096767*
Split pin	1 mm	40 mm	0.8 mm	0.9 mm	1000	096769*
Split pin	1 mm	45 mm	0.8 mm	0.9 mm	1000	096770*
Split pin	1.6 mm	6 mm	1.3 mm	1.4 mm	1000	096771*
Split pin	1.6 mm	8 mm	1.3 mm	1.4 mm	1000	096772*
Split pin	1.6 mm	10 mm	1.3 mm	1.4 mm	1000	096773*
Split pin	1.6 mm	12 mm	1.3 mm	1.4 mm	1000	096774*
Split pin	1.6 mm	16 mm	1.3 mm	1.4 mm	1000	096775*
Split pin	1.6 mm	18 mm	1.3 mm	1.4 mm	1000	096777*
Split pin	1.6 mm	20 mm	1.3 mm	1.4 mm	1000	096778*
Split pin	1.6 mm	22 mm	1.3 mm	1.4 mm	1000	096779*
Split pin	1.6 mm	25 mm	1.3 mm	1.4 mm	1000	096780*
Split pin	1.6 mm	28 mm	1.3 mm	1.4 mm	1000	096781*
Split pin	1.6 mm	32 mm	1.3 mm	1.4 mm	1000	096782*
Split pin	1.6 mm	36 mm	1.3 mm	1.4 mm	1000	096783*
Split pin	1.6 mm	40 mm	1.3 mm	1.4 mm	1000	096785*
Split pin	1.6 mm	45 mm	1.3 mm	1.4 mm	1000	096786*
Split pin	2 mm	6 mm	1.7 mm	1.8 mm	1000	096787*
Split pin	2 mm	8 mm	1.7 mm	1.8 mm	1000	096788*
Split pin	2 mm	10 mm	1.7 mm	1.8 mm	1000	096789*
Split pin	2 mm	12 mm	1.7 mm	1.8 mm	1000	096790*
Split pin	2 mm	14 mm	1.7 mm	1.8 mm	1000	096791*
Split pin	2 mm	16 mm	1.7 mm	1.8 mm	1000	096793*
Split pin	2 mm	18 mm	1.7 mm	1.8 mm	1000	096794*
Split pin	2 mm	20 mm	1.7 mm	1.8 mm	1000	096795*
Split pin	2 mm	22 mm	1.7 mm	1.8 mm	1000	096796*
Split pin	2 mm	25 mm	1.7 mm	1.8 mm	1000	096797*
Split pin	2 mm	28 mm	1.7 mm	1.8 mm	1000	096798*
Split pin	2 mm	32 mm	1.7 mm	1.8 mm	1000	355674*

INTERNAL/Approved (2019-03-22 14:34:41)

DIN 94, stainless steel A2							
Title	Nominal Ø	Length	Ø d1	Ø d1, max.	PU Piece	Article No.	
Split pin	2 mm	36 mm	1.7 mm	1.8 mm	1000	096799*	
Split pin	2 mm	40 mm	1.7 mm	1.8 mm	1000	096800*	
Split pin	2 mm	45 mm	1.7 mm	1.8 mm	1000	096801*	
Split pin	2 mm	50 mm	1.7 mm	1.8 mm	1000	096802*	
Split pin	2.5 mm	10 mm	2.1 mm	2.3 mm	1000	096803*	
Split pin	2.5 mm	12 mm	2.1 mm	2.3 mm	1000	096804*	
Split pin	2.5 mm	16 mm	2.1 mm	2.3 mm	1000	096805*	
Split pin	2.5 mm	18 mm	2.1 mm	2.3 mm	1000	096807*	
Split pin	2.5 mm	20 mm	2.1 mm	2.3 mm	1000	096808*	
Split pin	2.5 mm	22 mm	2.1 mm	2.3 mm	1000	096809*	
Split pin	2.5 mm	25 mm	2.1 mm	2.3 mm	1000	096810*	
Split pin	2.5 mm	28 mm	2.1 mm	2.3 mm	1000	096811*	
Split pin	2.5 mm	32 mm	2.1 mm	2.3 mm	1000	096812*	
Split pin	2.5 mm	36 mm	2.1 mm	2.3 mm	1000	096813*	
Split pin	2.5 mm	40 mm	2.1 mm	2.3 mm	1000	096815*	
Split pin	2.5 mm	45 mm	2.1 mm	2.3 mm	1000	096816*	
Split pin	2.5 mm	50 mm	2.1 mm	2.3 mm	1000	096817*	
Split pin	3.2 mm	16 mm	2.7 mm	2.9 mm	500	096818*	
Split pin	3.2 mm	18 mm	2.7 mm	2.9 mm	500	096819*	
Split pin	3.2 mm	20 mm	2.7 mm	2.9 mm	500	096820*	
Split pin	3.2 mm	22 mm	2.7 mm	2.9 mm	500	096821*	
Split pin	3.2 mm	25 mm	2.7 mm	2.9 mm	500	096823*	
Split pin	3.2 mm	28 mm	2.7 mm	2.9 mm	500	096824*	
Split pin	3.2 mm	32 mm	2.7 mm	2.9 mm	500	096825*	
Split pin	3.2 mm	36 mm	2.7 mm	2.9 mm	500	096826*	
Split pin	3.2 mm	40 mm	2.7 mm	2.9 mm	500	096827*	
Split pin	3.2 mm	45 mm	2.7 mm	2.9 mm	500	096828*	
Split pin	3.2 mm	50 mm	2.7 mm	2.9 mm	500	096829*	
Split pin	3.2 mm	63 mm	2.7 mm	2.9 mm	500	096831*	
Split pin	3.2 mm	71 mm	2.7 mm	2.9 mm	500	096832*	
Split pin	3.2 mm	80 mm	2.7 mm	2.9 mm	500	096833*	

INTERNAL/Approved (2019-03-22 14:35:08)

Securing elements

1

DIN 94, stainless steel A2							
Title	Nominal Ø	Length	Ø d1	Ø d1, max.	PU Piece	Article No.	
Split pin	4 mm	16 mm	3.5 mm	3.7 mm	500	096834*	
Split pin	4 mm	18 mm	3.5 mm	3.7 mm	500	096835*	
Split pin	4 mm	20 mm	3.5 mm	3.7 mm	500	096836*	
Split pin	4 mm	22 mm	3.5 mm	3.7 mm	500	096837*	
Split pin	4 mm	25 mm	3.5 mm	3.7 mm	500	096838*	
Split pin	4 mm	28 mm	3.5 mm	3.7 mm	500	096839*	
Split pin	4 mm	32 mm	3.5 mm	3.7 mm	500	096840*	
Split pin	4 mm	36 mm	3.5 mm	3.7 mm	500	096841*	
Split pin	4 mm	40 mm	3.5 mm	3.7 mm	500	096842*	
Split pin	4 mm	45 mm	3.5 mm	3.7 mm	500	096843*	
Split pin	4 mm	50 mm	3.5 mm	3.7 mm	500	096844*	
Split pin	4 mm	56 mm	3.5 mm	3.7 mm	500	096845*	
Split pin	4 mm	63 mm	3.5 mm	3.7 mm	500	096846*	
Split pin	4 mm	71 mm	3.5 mm	3.7 mm	500	096847*	
Split pin	4 mm	80 mm	3.5 mm	3.7 mm	500	096848*	
Split pin	4 mm	90 mm	3.5 mm	3.7 mm	500	096849*	
Split pin	4 mm	100 mm	3.5 mm	3.7 mm	500	096850*	
Split pin	5 mm	16 mm	4.4 mm	4.6 mm	250	096851*	
Split pin	5 mm	18 mm	4.4 mm	4.6 mm	250	096852*	
Split pin	5 mm	20 mm	4.4 mm	4.6 mm	250	096853*	
Split pin	5 mm	22 mm	4.4 mm	4.6 mm	250	096854*	
Split pin	5 mm	25 mm	4.4 mm	4.6 mm	250	096855*	
Split pin	5 mm	28 mm	4.4 mm	4.6 mm	250	096856*	
Split pin	5 mm	32 mm	4.4 mm	4.6 mm	250	096857*	
Split pin	5 mm	36 mm	4.4 mm	4.6 mm	250	096858*	
Split pin	5 mm	40 mm	4.4 mm	4.6 mm	250	157758*	
Split pin	5 mm	45 mm	4.4 mm	4.6 mm	250	096859*	
Split pin	5 mm	50 mm	4.4 mm	4.6 mm	250	096860*	
Split pin	5 mm	63 mm	4.4 mm	4.6 mm	250	096861*	
Split pin	5 mm	71 mm	4.4 mm	4.6 mm	250	096862*	
Split pin	5 mm	80 mm	4.4 mm	4.6 mm	250	096863*	

INTERNAL/Approved (2019-03-22 14:35:36)

DIN 94, stainless steel A2						
Title	Nominal Ø	Length	Ø d1	Ø d1, max.	PU Piece	Article No.
Split pin	5 mm	90 mm	4.4 mm	4.6 mm	250	096864*
Split pin	5 mm	100 mm	4.4 mm	4.6 mm	250	096866*
Split pin	6.3 mm	20 mm	5.7 mm	5.9 mm	250	096867*
Split pin	6.3 mm	22 mm	5.7 mm	5.9 mm	250	096868*
Split pin	6.3 mm	25 mm	5.7 mm	5.9 mm	250	096869*
Split pin	6.3 mm	28 mm	5.7 mm	5.9 mm	250	096870*
Split pin	6.3 mm	32 mm	5.7 mm	5.9 mm	250	096871*
Split pin	6.3 mm	36 mm	5.7 mm	5.9 mm	250	096872*
Split pin	6.3 mm	40 mm	5.7 mm	5.9 mm	250	096874*
Split pin	6.3 mm	45 mm	5.7 mm	5.9 mm	250	096875*
Split pin	6.3 mm	50 mm	5.7 mm	5.9 mm	250	096876*
Split pin	6.3 mm	56 mm	5.7 mm	5.9 mm	250	096877*
Split pin	6.3 mm	63 mm	5.7 mm	5.9 mm	250	096878*
Split pin	6.3 mm	71 mm	5.7 mm	5.9 mm	250	096879*
Split pin	6.3 mm	80 mm	5.7 mm	5.9 mm	250	096880*
Split pin	6.3 mm	90 mm	5.7 mm	5.9 mm	250	096882*
Split pin	6.3 mm	100 mm	5.7 mm	5.9 mm	250	096883*
Split pin	8 mm	32 mm	7.3 mm	7.5 mm	100	096884*
Split pin	8 mm	36 mm	7.3 mm	7.5 mm	100	096885*
Split pin	8 mm	40 mm	7.3 mm	7.5 mm	100	096886*
Split pin	8 mm	45 mm	7.3 mm	7.5 mm	100	096887*
Split pin	8 mm	50 mm	7.3 mm	7.5 mm	100	096888*
Split pin	8 mm	56 mm	7.3 mm	7.5 mm	100	096889*
Split pin	8 mm	63 mm	7.3 mm	7.5 mm	100	096891*
Split pin	8 mm	71 mm	7.3 mm	7.5 mm	100	096892*
Split pin	8 mm	80 mm	7.3 mm	7.5 mm	100	096893*
Split pin	8 mm	90 mm	7.3 mm	7.5 mm	100	096894*
Split pin	8 mm	100 mm	7.3 mm	7.5 mm	100	096895*
Split pin	10 mm	32 mm	9.3 mm	9.5 mm	100	096896*
Split pin	10 mm	36 mm	9.3 mm	9.5 mm	100	096897*
Split pin	10 mm	40 mm	9.3 mm	9.5 mm	100	096898*

INTERNAL/Approved (2019-03-22 14:36:02)

Securing elements

1

DIN 94, stainless steel A2							
Title	Nominal Ø	Length	Ø d1	Ø d1, max.	PU Piece	Article No.	
Split pin	10 mm	45 mm	9.3 mm	9.5 mm	100	096899*	
Split pin	10 mm	50 mm	9.3 mm	9.5 mm	100	096900*	
Split pin	10 mm	56 mm	9.3 mm	9.5 mm	100	096901*	
Split pin	10 mm	63 mm	9.3 mm	9.5 mm	100	096902*	
Split pin	10 mm	71 mm	9.3 mm	9.5 mm	100	096904*	
Split pin	10 mm	80 mm	9.3 mm	9.5 mm	100	096905*	
Split pin	10 mm	90 mm	9.3 mm	9.5 mm	100	096906*	
Split pin	10 mm	100 mm	9.3 mm	9.5 mm	100	096907*	

* = The delivery time is 14 days

AGR: 01.312

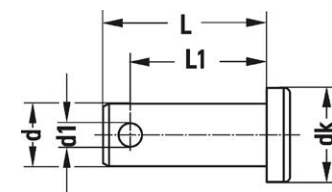
DIN 1434, steel zinc plated

Application Area

- Suitable for fork head DIN 71752

Characteristics

- with head



DIN 1434, steel zinc plated							
Title	Ø	Length	Ø head	Ø split pin hole	Length L1	PU Piece	Article No.
Clevis pin	6 mm	18 mm	9 mm	1.6 mm	14.5 mm	10	122652
Clevis pin	8 mm	22 mm	12 mm	2 mm	18.7 mm	10	122651
Clevis pin	10 mm	28 mm	14 mm	3.2 mm	23.2 mm	10	122650
Clevis pin	12 mm	35 mm	17 mm	4 mm	28.2 mm	10	122649
Clevis pin	14 mm	40 mm	19 mm	4 mm	31.2 mm	10	122648
Clevis pin	14 mm	45 mm	19 mm	4 mm	40 mm	10	122647

AGR: 01.314

DIN 1481, spring steel plain

Application Area

- Used as a screw and bolt sleeve when used with large gravitational fields



INTERNAL/Approved (2019-03-22 14:36:28)

Characteristics

- Slotted
- Heavy design

Processing Information

- "Bolts and screws are relieved by clamping sleeve, so smaller sizes can be used
Excess of 0.3 - 0.8 mm compared with nominal diameter ensures a secure fit
The chamfer facilitates insertion into the bore"

Hints

- Nominal diameter spring dowel pin conforms to nominal diameter drill
- ~ ISO 8752

DIN 1481, spring steel plain					
Title	Nominal Ø	Length total (mm)	Internal Ø	PU Piece	Article No.
Spring type straight pin	2 mm	26 mm	1.5 mm	50	801261
Spring type straight pin	3 mm	20 mm	2.1 mm	50	000035
Spring type straight pin	3 mm	22 mm	2.1 mm	50	000043
Spring type straight pin	3 mm	26 mm	2.1 mm	50	510076
Spring type straight pin	3 mm	30 mm	2.1 mm	50	000051
Spring type straight pin	3 mm	40 mm	2.1 mm	50	000078
Spring type straight pin	3 mm	50 mm	2.1 mm	50	409413
Spring type straight pin	3.5 mm	30 mm	2.3 mm	50	408158
Spring type straight pin	4 mm	16 mm	2.8 mm	50	000086
Spring type straight pin	4 mm	20 mm	2.8 mm	50	000108
Spring type straight pin	4 mm	26 mm	2.8 mm	50	801315
Spring type straight pin	4 mm	30 mm	2.8 mm	50	000132
Spring type straight pin	4 mm	40 mm	2.8 mm	50	000159
Spring type straight pin	4 mm	50 mm	2.8 mm	50	000167
Spring type straight pin	5 mm	30 mm	3.4 mm	50	000213
Spring type straight pin	5 mm	36 mm	3.4 mm	50	000230
Spring type straight pin	5 mm	40 mm	3.4 mm	50	000248
Spring type straight pin	5 mm	45 mm	3.4 mm	50	000256
Spring type straight pin	5 mm	50 mm	3.4 mm	50	000264

INTERNAL/Approved (2019-03-22 14:37:27)

Securing elements

1

DIN 1481, spring steel plain					
Title	Nominal Ø	Length total (mm)	Internal Ø	PU Piece	Article No.
Spring type straight pin	5 mm	60 mm	3.4 mm	50	000272
Spring type straight pin	6 mm	20 mm	3.9 mm	50	000299
Spring type straight pin	6 mm	30 mm	3.9 mm	50	000310
Spring type straight pin	6 mm	40 mm	3.9 mm	50	000337
Spring type straight pin	6 mm	50 mm	3.9 mm	50	000353
Spring type straight pin	6 mm	60 mm	3.9 mm	50	000361
Spring type straight pin	6 mm	70 mm	3.9 mm	25	000370
Spring type straight pin	6 mm	80 mm	3.9 mm	25	000388
Spring type straight pin	7 mm	70 mm	4 mm	25	408263
Spring type straight pin	8 mm	30 mm	5.5 mm	25	000396
Spring type straight pin	8 mm	40 mm	5.5 mm	25	000400
Spring type straight pin	8 mm	50 mm	5.5 mm	25	000418
Spring type straight pin	8 mm	55 mm	5.5 mm	25	000426
Spring type straight pin	8 mm	60 mm	5.5 mm	25	000434
Spring type straight pin	8 mm	70 mm	5.5 mm	25	000450
Spring type straight pin	8 mm	80 mm	5.5 mm	25	000469
Spring type straight pin	10 mm	40 mm	6.5 mm	25	000477
Spring type straight pin	10 mm	50 mm	6.5 mm	25	000485
Spring type straight pin	10 mm	60 mm	6.5 mm	25	000507
Spring type straight pin	10 mm	70 mm	6.5 mm	25	000515
Spring type straight pin	10 mm	80 mm	6.5 mm	25	000523
Spring type straight pin	12 mm	50 mm	7.5 mm	25	080238
Spring type straight pin	12 mm	60 mm	7.5 mm	25	408298
Spring type straight pin	12 mm	80 mm	7.5 mm	25	408310
Spring type straight pin	12 mm	100 mm	7.5 mm	25	408328
Spring type straight pin	13 mm	50 mm	8.5 mm	25	408336
Spring type straight pin	13 mm	70 mm	8.5 mm	25	408352
Spring type straight pin	13 mm	80 mm	8.5 mm	25	408360

AGR: 01.316

DIN 11024, bent double, steel yellow zinc plated

Application Area

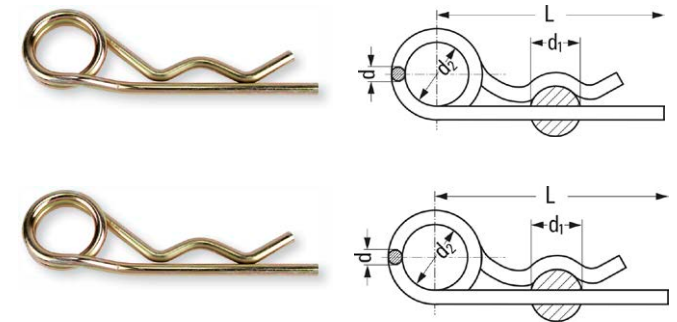
- To secure bolts, pipes and rods

Characteristics

- Easy and fast fixing or removabl, reusable, burr-free cut ends,
- Yellow galvanized wire

Hints

- \emptyset hole = hole \emptyset in shaft or axis
- \emptyset d1 = \emptyset of the shaft or axis



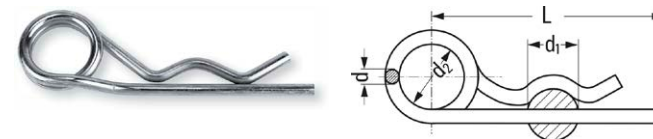
1

DIN 11024, bent double, steel yellow zinc plated

Title	\emptyset hole	\emptyset d1	Thickness wire	Length	PU Piece	Article No.
SPRING COTTER DIN11024 2MM YZP	2.25 mm	9 - 11.2 mm	2 mm	25 mm	25	092272
SPRING COTTER DIN11024 3MM YZP	3.5 mm	14 - 20 mm	3 mm	26 mm	25	151476
SPRING COTTER DIN11024 5MM YZP	5.5 mm	18 - 30 mm	5 mm	34 mm	25	151478
SPRING COTTER DIN11024 6MM YZP	6.5 mm	24 - 36 mm	6 mm	36 mm	25	151479
SPRING COTTER DIN11024 8MM YZP	9 mm	24 - 40 mm	8 mm	44 mm	10	151480

AGR: 01.321

DIN 11024, bent double, steel zinc plated



1

- Quick and easy to install or to solve
- reusable

Application Area

- Securing bolts, pipes and rods

Characteristics

- Ends are free of burrs
- With double-curved eye

Hints

- $\emptyset d1$ = shaft diameter

DIN 11024, bent double, steel zinc plated

Title	\emptyset hole	$\emptyset d1$	Thickness wire	Length	\emptyset eye	PU Piece	Article No.
Spring cotter	2.5 mm	9 - 11.2 mm	2.25 mm	42 mm	20 mm	200	128644
Spring cotter	3.2 mm	11.2 - 14 mm	2.8 mm	48 mm	20 mm	200	128645
Spring cotter	4 mm	14 - 20 mm	3.6 mm	64 mm	20 mm	100	128646
Spring cotter	5 mm	20 - 26 mm	4.5 mm	80 mm	25 mm	100	128647
Spring cotter	6.3 mm	26 - 34 mm	5.6 mm	97 mm	25 mm	50	128648
Spring cotter	7 mm	34 - 45 mm	6.3 mm	125 mm	30 mm	25	128649
Spring cotter	8 mm	45 - 56 mm	7 mm	150 mm	30 mm	25	128650

AGR: 01.323

Linch pins, steel yellow zinc plated

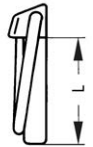
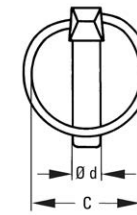
- Easy and quick fixing
- Pre-loaded spring, suitable for re-use.

Application Area

- To secure bolts, pipes and rods

Characteristics

- Prestressed



1

Linch pins, steel yellow zinc plated

Title	Shank Strength	Shank Length	Ø internal ring	PU Piece	Article No.
Linch pin	4.5 mm	42 mm	41 mm	25	291781
Linch pin	6 mm	42 mm	41 mm	25	002313
Linch pin	8 mm	42 mm	41 mm	25	002321
Linch pin	10 mm	42 mm	41 mm	25	002330
Linch pin	11 mm	42 mm	41 mm	10	002348

AGR: 01.330

Safety lynch pins, steel yellow zinc plated

1

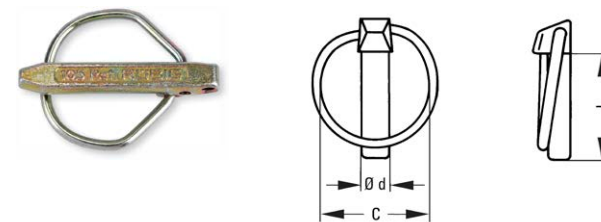
- Highest clamping force
- Optimal hedging effect through security screening
- Additional drilling permits recording of a safety chain
- High shear forces by strength of 1200 - 1400 N / mm²
- DLG recognized (German Agricultural Society)

Application Area

- Securing of bolts, tubes and rods

Characteristics

- Plug drop-forged
- Binder made of Spring Steel Wire
- Prestressed



Safety lynch pins, steel yellow zinc plated

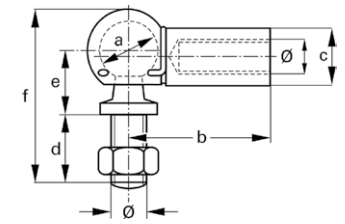
Title	Shank Strength	Shank Length	Ø internal ring	PU Piece	Article No.
Safety lynch pin	7.5 mm	42 mm	32 mm	10	557978
Safety lynch pin	9.5 mm	45 mm	32 mm	10	557986
Safety lynch pin	10.5 mm	45 mm	32 mm	10	557994
Safety lynch pin	11.5 mm	45 mm	32 mm	10	558001

AGR: 01.330

DIN 71802, shape CS, right-hand thread, steel zinc plated

Characteristics

- Form CS = with screwed end and safety catch
- with nuts



1

DIN 71802, shape CS, right-hand thread, steel zinc plated

Title	Thread	Joint dimension a	Joint dimension b	Joint dimension c	Joint dimension d	Joint dimension e	PU Piece	Article No.
Angle joint	M 5	8 mm	22 mm	8 mm	10.2 mm	9 mm	5	205630
Angle joint	M 6	10 mm	25 mm	10 mm	12.5 mm	11 mm	5	198358
Angle joint	M 8	13 mm	30 mm	13 mm	16.5 mm	13 mm	5	198366
Angle joint	M 10	16 mm	35 mm	16 mm	20 mm	16 mm	5	198374
Angle joint	M 12	16 mm	35 mm	16 mm	20 mm	16 mm	5	198382

AGR: 16.939

1

similar DIN 82101, shape A, steel zinc plated

Application Area

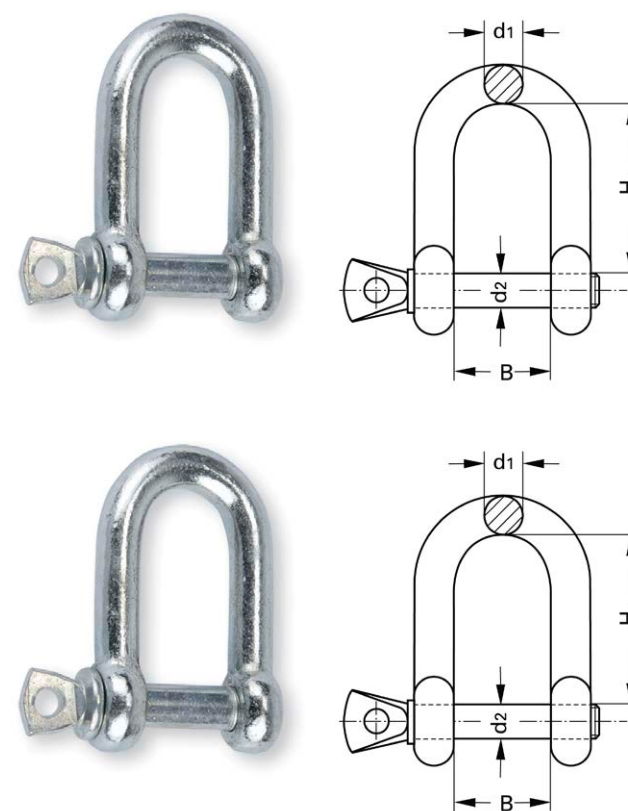
- Used for lengthening of cables, ropes and chains

Characteristics

- Form A = with eyebolt

Hints

- \emptyset Bars = d_1
- \emptyset Pin = d_2



similar DIN 82101, shape A, steel zinc plated

Title	Nominal Size	\emptyset bolt	\emptyset bracket	Width inside	Height inside	Permissible load capacity	PU Piece	Article No.
Shackle	0,1	5 mm	4 mm	7 mm	15.5 mm	100 kg	10	011130
Shackle	0,16	6 mm	5 mm	8 mm	18 mm	160 kg	10	011131
Shackle	0,25	8 mm	7 mm	11 mm	24 mm	250 kg	10	011132
Shackle	0,4	10 mm	8 mm	14 mm	30 mm	400 kg	10	114235
Shackle	0,6	12 mm	10 mm	17 mm	36 mm	600 kg	10	326984

AGR: 01.920

DIN 5299, shape C, steel zinc plated

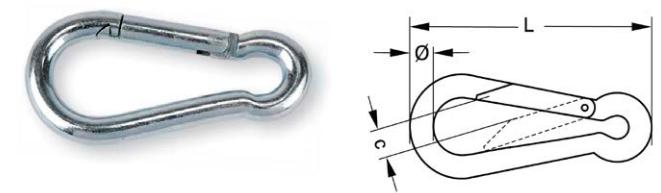
- Used for fast lengthening of cables, ropes and chains through self-closing seal flap closure

Application Area

- Used for lengthening of cables, ropes and chains

Characteristics

- Form C = pear-shaped



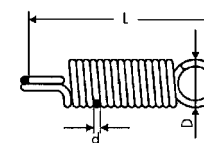
1

DIN 5299, shape C, steel zinc plated							
Title	Material Ø	Length total (mm)	Opening, max.	Height inside	Permissible load capacity	PU Piece	Article No.
Snap hook	5 mm	50 mm	7 mm	-	100 kg	10	112498
Snap hook	6 mm	60 mm	8 mm	-	120 kg	10	112499
Snap hook	7 mm	70 mm	8 mm	-	180 kg	10	112501
Snap hook	8 mm	80 mm	9 mm	-	230 kg	10	112502
Snap hook	9 mm	90 mm	10 mm	-	250 kg	10	641677
Snap hook	10 mm	100 mm	11 mm	-	350 kg	10	641685
Snap hook	11 mm	120 mm	16 mm	-	400 kg	10	641693
Snap hook	12 mm	140 mm	19 mm	-	450 kg	10	641707

AGR: 01.950

1

DIN 2097, double eyes, spring steel zinc plated



Characteristics

- Eyelets form: German double eyelet
 Eyelets position: length <80 mm = 0 degrees
 Length > 80 mm: eyelet setting depending on the make

Hints

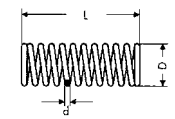
- Spring steel wire according to 17223 B

DIN 2097, double eyes, spring steel zinc plated							
Title	Length	Eyelets	Thickness wire	Container	Content	PU Amount	Article No.
Tension spring	25 mm	6 mm	0.6 mm	Bag	50 PC	1	304379
Tension spring	25 mm	7 mm	1.3 mm	Bag	40 PC	1	304387
Tension spring	45 mm	9 mm	1 mm	Bag	20 PC	1	304395
Tension spring	50 mm	5 mm	0.6 mm	Bag	40 PC	1	304360
Tension spring	55 mm	7 mm	0.6 mm	Bag	25 PC	1	304352
Tension spring	55 mm	8 mm	1 mm	Bag	18 PC	1	304344
Tension spring	55 mm	11 mm	1 mm	Bag	10 PC	1	304409
Tension spring	55 mm	11 mm	1.3 mm	Bag	12 PC	1	304433
Tension spring	60 mm	10 mm	1 mm	Bag	10 PC	1	304310
Tension spring	65 mm	12.5 mm	1.5 mm	Bag	8 PC	1	304425
Tension spring	70 mm	8 mm	1 mm	Bag	18 PC	1	304336
Tension spring	70 mm	11 mm	1 mm	Bag	18 PC	1	304301
Tension spring	75 mm	9 mm	1 mm	Bag	12 PC	1	304417
Tension spring	75 mm	12.5 mm	1.5 mm	Bag	14 PC	1	304476
Tension spring	85 mm	12 mm	1 mm	Bag	8 PC	1	304441
Tension spring	90 mm	7 mm	1 mm	Bag	20 PC	1	304328
Tension spring	100 mm	9 mm	1 mm	Bag	15 PC	1	304298
Tension spring	105 mm	10 mm	1 mm	Bag	10 PC	1	304450
Tension spring	110 mm	12.5 mm	1.5 mm	Bag	8 PC	1	304468
Tension spring	130 mm	11 mm	1 mm	Bag	10 PC	1	304280

AGR: 01.910

INTERNAL/Approved (2019-03-22 14:40:17)

DIN 2095, spring steel wire zinc plated



Characteristics

- Spring Wire Steel 17223 B

Hints

- Spring steel wire according to 17223 B

DIN 2095, spring steel wire zinc plated								
Title	Length	Thickness wire	External Ø	Number of windings	Container	Content	PU Sachet	Article No.
Compression spring	28 mm	1.5 mm	15 mm	7 PC	Bag	20 PC	1	304506
Compression spring	32 mm	1 mm	15 mm	9 PC	Bag	20 PC	1	304492
Compression spring	35 mm	1 mm	12 mm	9 PC	Bag	30 PC	1	304530
Compression spring	35 mm	1.5 mm	12 mm	8 PC	Bag	20 PC	1	304590
Compression spring	40 mm	1 mm	10 mm	15 PC	Bag	25 PC	1	304573
Compression spring	42 mm	0.8 mm	8 mm	14 PC	Bag	40 PC	1	304484
Compression spring	45 mm	1.5 mm	15 mm	11 PC	Bag	15 PC	1	304565
Compression spring	45 mm	1.5 mm	10 mm	12 PC	Bag	25 PC	1	304581
Compression spring	55 mm	1.5 mm	12 mm	14 PC	Bag	15 PC	1	304557
Compression spring	55 mm	1.5 mm	15 mm	14 PC	Bag	10 PC	1	304514
Compression spring	60 mm	1 mm	12 mm	18 PC	Bag	20 PC	1	304549
Compression spring	65 mm	1.5 mm	15 mm	15 PC	Bag	10 PC	1	304522

AGR: 01.911

1

similar DIN 741, steel zinc plated

Application Area

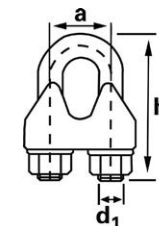
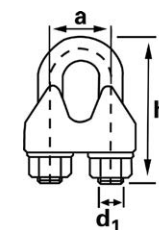
- Releasable rope end connection when only minor requirements are necessary

Processing Information

- If there are any technical safety requirements for the rope end connections, other connection elements need to be used, for example, safety wire rope clips in accordance to DIN EN 13411-5

Hints

- Law liability is excluded



similar DIN 741, steel zinc plated

Title	Ø wire rope	Ø wire rope	Thread	Height	Dimension a	PU Piece	Article No.
U-bolt wire rope grip	3 mm	1/8 "	M 4	20 mm	9 mm	25	020303
U-bolt wire rope grip	5 mm	3/16 "	M 5	24 mm	11 mm	25	020311
U-bolt wire rope grip	6.5 mm	1/4 "	M 5	28 mm	13 mm	25	020320
U-bolt wire rope grip	8 mm	5/16 "	M 6	34 mm	16 mm	25	020338
U-bolt wire rope grip	10 mm	3/8 "	M 8	42 mm	19 mm	25	020346
U-bolt wire rope grip	11 mm	7/16 "	M 8	44 mm	20 mm	25	020354
U-bolt wire rope grip	13 mm	1/2 "	M 10	55 mm	24 mm	25	020362

AGR: 01.930

DIN 471, spring steel phosphated

Application Area

- For safe limiting of the free movement of a part on shafts
- Also suitable for rotating shafts even at high speed
- Torsion-free transmission of high pressure, impact and tensile forces

Characteristics

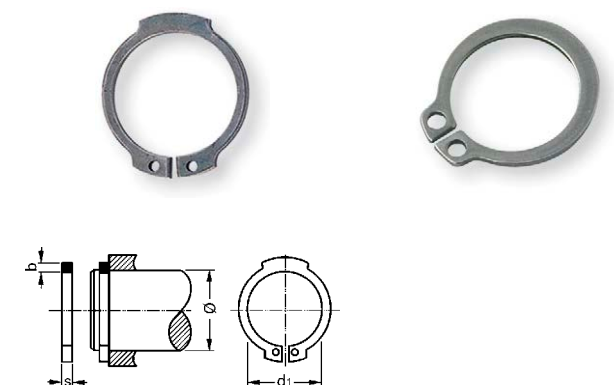
- Standard configuration
- Blackened and oiled or phosphated, depending on the product

Processing Information

- Easy assembly and disassembly by means of snap ring pliers

Hints

- Inner diameter= d_1
Width = b



DIN 471, spring steel phosphated						
Title	Ø	Internal Ø	Thickness material	Radial width b	PU Piece	Article No.
Retaining ring	5 mm	4.7 mm	0.6 mm	1.1 mm	50	015201
Retaining ring	7 mm	6.5 mm	0.8 mm	1.4 mm	50	805887
Retaining ring	8 mm	7.4 mm	0.8 mm	1.5 mm	50	006793
Retaining ring	9 mm	8.4 mm	1 mm	1.7 mm	50	006807
Retaining ring	10 mm	9.3 mm	1 mm	1.8 mm	50	006815
Retaining ring	11 mm	10.2 mm	1 mm	1.8 mm	50	015277
Retaining ring	12 mm	11 mm	1 mm	1.8 mm	50	006823
Retaining ring	14 mm	12.9 mm	1 mm	2.1 mm	50	006831
Retaining ring	15 mm	13.8 mm	1 mm	2.2 mm	50	006840
Retaining ring	16 mm	14.7 mm	1 mm	2.2 mm	50	006858
Retaining ring	17 mm	15.7 mm	1 mm	2.3 mm	50	006866
Retaining ring	18 mm	16.5 mm	1.2 mm	2.4 mm	50	006874
Retaining ring	20 mm	18.5 mm	1.2 mm	2.6 mm	50	006882
Retaining ring	22 mm	20.5 mm	1.2 mm	2.8 mm	25	006890
Retaining ring	24 mm	22.2 mm	1.2 mm	3 mm	25	006904
Retaining ring	25 mm	23.2 mm	1.2 mm	3 mm	25	006912

Securing elements

1

DIN 471, spring steel phosphated						
Title	Ø	Internal Ø	Thickness material	Radial width b	PU Piece	Article No.
Retaining ring	26 mm	24.2 mm	1.2 mm	3.1 mm	25	006920
Retaining ring	28 mm	25.9 mm	1.5 mm	3.2 mm	25	006939
Retaining ring	30 mm	27.9 mm	1.5 mm	3.5 mm	25	006947
Retaining ring	32 mm	29.6 mm	1.5 mm	3.6 mm	25	006963
Retaining ring	34 mm	31.5 mm	1.5 mm	3.8 mm	25	006971
Retaining ring	35 mm	32.2 mm	1.5 mm	3.9 mm	25	006955
Retaining ring	40 mm	36.5 mm	1.75 mm	4.4 mm	25	006980
Retaining ring	45 mm	41.5 mm	1.75 mm	4.7 mm	25	934076
Retaining ring	50 mm	45.8 mm	2 mm	5.1 mm	25	934077
Retaining ring	55 mm	50.8 mm	2 mm	5.4 mm	25	934079
Retaining ring	65 mm	60.8 mm	2.5 mm	6.3 mm	25	012436
Retaining ring	70 mm	65.5 mm	2.5 mm	6.6 mm	25	012439

AGR: 01.300

Accessories Available

	PU Assortment	Article No.
BS 3030 External Retaining Ring	1	235296

DIN 471, stainless steel 1.4122 (A1)

Application Area

- For safe limiting of the free movement of a part on shafts
- Also suitable for rotating shafts even at high speed
- Torsion-free transmission of high pressure, impact and tensile forces

Characteristics

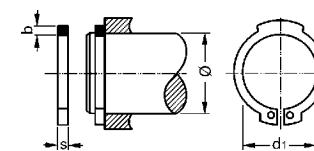
- Standard configuration

Processing Information

- Easy assembly and disassembly by means of snap ring pliers

Hints

- Inner diameter = d_1
Width = b



INTERNAL/Approved (2019-03-22 14:41:25)

DIN 471, stainless steel 1.4122 (A1)						
Title	Ø	Internal Ø	Thickness material	Radial width b	PU Piece	Article No.
Retaining ring	3 mm	2.7 mm	0.4 mm	0.8 mm	200	096972*
Retaining ring	4 mm	3.7 mm	0.4 mm	0.9 mm	200	096973*
Retaining ring	5 mm	4.7 mm	0.6 mm	1.1 mm	200	096974*
Retaining ring	6 mm	5.6 mm	0.7 mm	1.3 mm	200	096975*
Retaining ring	7 mm	6.5 mm	0.8 mm	1.4 mm	200	096976*
Retaining ring	8 mm	7.4 mm	0.8 mm	1.5 mm	200	096977*
Retaining ring	9 mm	8.4 mm	1 mm	1.7 mm	200	096978*
Retaining ring	10 mm	9.3 mm	1 mm	1.8 mm	200	096979*
Retaining ring	11 mm	10.2 mm	1 mm	1.8 mm	200	096980*
Retaining ring	12 mm	11 mm	1 mm	1.8 mm	200	096981*
Retaining ring	13 mm	11.9 mm	1 mm	2 mm	200	096982*
Retaining ring	14 mm	12.9 mm	1 mm	2.1 mm	200	096983*
Retaining ring	15 mm	13.8 mm	1 mm	2.2 mm	200	096984*
Retaining ring	16 mm	14.7 mm	1 mm	2.2 mm	200	096985*
Retaining ring	17 mm	15.7 mm	1 mm	2.3 mm	100	096986*
Retaining ring	18 mm	16.5 mm	1.2 mm	2.4 mm	100	096987*
Retaining ring	19 mm	17.5 mm	1.2 mm	2.5 mm	100	096988*
Retaining ring	20 mm	18.5 mm	1.2 mm	2.6 mm	100	096989*
Retaining ring	21 mm	19.5 mm	1.2 mm	2.7 mm	100	096990*
Retaining ring	22 mm	20.5 mm	1.2 mm	2.8 mm	100	096991*
Retaining ring	23 mm	21.4 mm	1.2 mm	2.9 mm	100	096992*
Retaining ring	24 mm	22.2 mm	1.2 mm	3 mm	100	096993*
Retaining ring	25 mm	23.2 mm	1.2 mm	3 mm	100	096994*
Retaining ring	26 mm	24.2 mm	1.2 mm	3.1 mm	50	096995*
Retaining ring	27 mm	25.1 mm	1.2 mm	3.1 mm	50	096996*
Retaining ring	28 mm	25.9 mm	1.5 mm	3.2 mm	50	096998*
Retaining ring	30 mm	27.9 mm	1.5 mm	3.5 mm	50	096999*
Retaining ring	32 mm	29.6 mm	1.5 mm	3.6 mm	50	097000*
Retaining ring	34 mm	31.5 mm	1.5 mm	3.8 mm	50	097001*
Retaining ring	35 mm	32.2 mm	1.5 mm	3.9 mm	50	097002*
Retaining ring	36 mm	33.2 mm	1.75 mm	4 mm	25	097003*

INTERNAL/Approved (2019-03-22 14:41:56)

1

DIN 471, stainless steel 1.4122 (A1)						
Title	Ø	Internal Ø	Thickness material	Radial width b	PU Piece	Article No.
Retaining ring	38 mm	35.2 mm	1.75 mm	4.2 mm	25	097005*
Retaining ring	39 mm	36 mm	1.75 mm	4.3 mm	25	097006*
Retaining ring	40 mm	36.5 mm	1.75 mm	4.4 mm	25	097007*
Retaining ring	42 mm	38.5 mm	1.75 mm	4.5 mm	25	097008*
Retaining ring	45 mm	41.5 mm	1.75 mm	4.7 mm	25	097009*
Retaining ring	48 mm	44.5 mm	1.75 mm	5 mm	25	097010*
Retaining ring	50 mm	45.8 mm	2 mm	5.1 mm	25	097011*
Retaining ring	55 mm	50.8 mm	2 mm	5.4 mm	25	097012*
Retaining ring	60 mm	55.8 mm	2 mm	5.8 mm	25	097013*
Retaining ring	65 mm	60.8 mm	2.5 mm	6.3 mm	10	097014*
Retaining ring	70 mm	65.5 mm	2.5 mm	6.6 mm	10	097015*
Retaining ring	75 mm	70.5 mm	2.5 mm	7 mm	10	097016*
Retaining ring	80 mm	74.5 mm	2.5 mm	7.4 mm	10	097017*

* = The delivery time is 14 days

AGR: 01.306

DIN 472, spring steel phosphated

Application Area

- For safe limiting of the free movement of a part on shafts
- Also suitable for rotating shafts even at high speed
- Torsion-free transmission of high pressure, impact and tensile forces

Characteristics

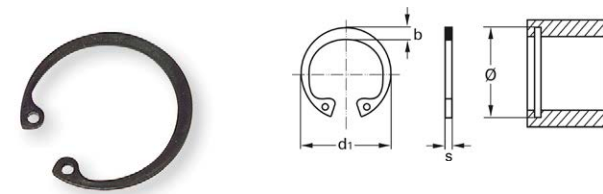
- Standard configuration
- Blackened and oiled or phosphated, depending on the product

Processing Information

- Easy assembly and disassembly by means of snap ring pliers

Hints

- Outer diameter= d1
Width = b



DIN 472, spring steel phosphated						
Title	Ø	External Ø	Thickness material	Radial width b	PU Piece	Article No.
Retaining ring	10 mm	10.8 mm	1 mm	1.4 mm	50	015243
Retaining ring	13 mm	14.1 mm	1 mm	1.8 mm	50	015249
Retaining ring	15 mm	16.2 mm	1 mm	2 mm	50	007005
Retaining ring	16 mm	17.3 mm	1 mm	2 mm	50	007013
Retaining ring	17 mm	18.3 mm	1 mm	2.1 mm	50	805931
Retaining ring	18 mm	19.5 mm	1 mm	2.2 mm	50	007021
Retaining ring	20 mm	21.5 mm	1 mm	2.3 mm	50	007048
Retaining ring	22 mm	23.5 mm	1 mm	2.5 mm	25	007056
Retaining ring	23 mm	24.6 mm	1.2 mm	2.5 mm	25	007064
Retaining ring	24 mm	25.9 mm	1.2 mm	2.6 mm	25	007072
Retaining ring	25 mm	26.9 mm	1.2 mm	2.7 mm	25	007080
Retaining ring	26 mm	27.9 mm	1.2 mm	2.8 mm	25	007099
Retaining ring	27 mm	29.1 mm	1.2 mm	2.9 mm	25	015257
Retaining ring	28 mm	30.1 mm	1.2 mm	2.9 mm	25	007102
Retaining ring	30 mm	32.1 mm	1.2 mm	3 mm	25	007110
Retaining ring	32 mm	34.4 mm	1.2 mm	3.2 mm	25	007129
Retaining ring	34 mm	36.5 mm	1.5 mm	3.3 mm	25	007145
Retaining ring	35 mm	37.8 mm	1.5 mm	3.4 mm	25	007153
Retaining ring	36 mm	38.8 mm	1.5 mm	3.5 mm	25	007161
Retaining ring	37 mm	39.8 mm	1.5 mm	3.6 mm	25	007170
Retaining ring	38 mm	40.8 mm	1.5 mm	3.7 mm	25	007188
Retaining ring	40 mm	43.5 mm	1.75 mm	3.9 mm	25	007196
Retaining ring	45 mm	48.5 mm	1.75 mm	4.3 mm	25	015274
Retaining ring	52 mm	56.2 mm	2 mm	4.7 mm	25	934086
Retaining ring	60 mm	64.2 mm	2 mm	5.4 mm	25	580805
Retaining ring	62 mm	66.2 mm	2 mm	5.5 mm	25	934087
Retaining ring	68 mm	72.5 mm	2.5 mm	6.1 mm	25	012486
Retaining ring	72 mm	76.5 mm	2.5 mm	6.4 mm	25	012488

AGR: 01.301

Accessories Available

	PU Assortment	Article No.
BS 3031 Internal Retaining Ring	1	235300

INTERNAL/Approved (2019-03-22 14:42:48)

DIN 472, stainless steel 1.4122 (A1)

1

Application Area

- For safe limiting of the free movement of a part on shafts
- Also suitable for rotating shafts even at high speed
- Torsion-free transmission of high pressure, impact and tensile forces

Characteristics

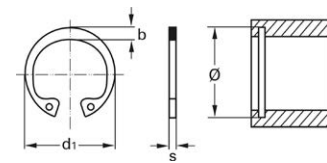
- Standard configuration

Processing Information

- Easy assembly and disassembly by means of snap ring pliers

Hints

- Outer diameter= d_1
Width = b



DIN 472, stainless steel 1.4122 (A1)						
Title	Ø	External Ø	Thickness material	Radial width b	PU Piece	Article No.
Retaining ring	8 mm	8.7 mm	0.8 mm	1.1 mm	200	097018*
Retaining ring	9 mm	9.8 mm	0.8 mm	1.3 mm	200	097019*
Retaining ring	10 mm	10.8 mm	1 mm	1.4 mm	200	097020*
Retaining ring	11 mm	11.8 mm	1 mm	1.5 mm	200	097021*
Retaining ring	12 mm	13 mm	1 mm	1.7 mm	200	097022*
Retaining ring	13 mm	14.1 mm	1 mm	1.8 mm	200	097023*
Retaining ring	14 mm	15.1 mm	1 mm	1.9 mm	200	097024*
Retaining ring	15 mm	16.2 mm	1 mm	2 mm	200	097025*
Retaining ring	16 mm	17.3 mm	1 mm	2 mm	200	097026*
Retaining ring	17 mm	18.3 mm	1 mm	2.1 mm	100	097027*
Retaining ring	18 mm	19.5 mm	1 mm	2.2 mm	100	097028*
Retaining ring	19 mm	20.5 mm	1 mm	2.2 mm	100	097029*
Retaining ring	20 mm	21.5 mm	1 mm	2.3 mm	100	097030*
Retaining ring	21 mm	22.5 mm	1 mm	2.4 mm	100	097031*
Retaining ring	22 mm	23.5 mm	1 mm	2.5 mm	100	097032*
Retaining ring	23 mm	24.6 mm	1.2 mm	2.5 mm	100	097033*
Retaining ring	24 mm	25.9 mm	1.2 mm	2.6 mm	100	097034*
Retaining ring	25 mm	26.9 mm	1.2 mm	2.7 mm	100	097035*

INTERNAL/Approved (2019-03-22 14:43:11)

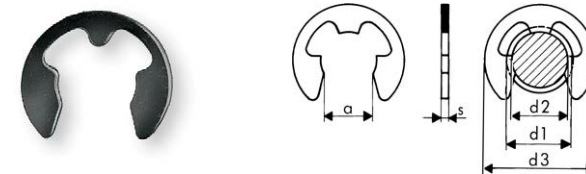
DIN 472, stainless steel 1.4122 (A1)						
Title	Ø	External Ø	Thickness material	Radial width b	PU Piece	Article No.
Retaining ring	26 mm	27.9 mm	1.2 mm	2.8 mm	50	097036*
Retaining ring	27 mm	28.9 mm	1.2 mm	2.8 mm	50	097037*
Retaining ring	28 mm	30.1 mm	1.2 mm	2.9 mm	50	097038*
Retaining ring	29 mm	31.1 mm	1.2 mm	3 mm	50	097040*
Retaining ring	30 mm	32.1 mm	1.2 mm	3 mm	50	097041*
Retaining ring	31 mm	33.4 mm	1.2 mm	3.2 mm	25	097042*
Retaining ring	32 mm	34.4 mm	1.2 mm	3.2 mm	25	097043*
Retaining ring	34 mm	36.5 mm	1.5 mm	3.3 mm	25	097044*
Retaining ring	35 mm	37.8 mm	1.5 mm	3.4 mm	25	097045*
Retaining ring	36 mm	38.8 mm	1.5 mm	3.5 mm	25	097046*
Retaining ring	37 mm	39.8 mm	1.5 mm	3.6 mm	25	097048*
Retaining ring	38 mm	40.8 mm	1.5 mm	3.7 mm	25	097049*
Retaining ring	40 mm	43.5 mm	1.75 mm	3.9 mm	25	097050*
Retaining ring	42 mm	45.5 mm	1.75 mm	4.1 mm	25	097051*
Retaining ring	45 mm	48.5 mm	1.75 mm	4.3 mm	25	097052*
Retaining ring	47 mm	50.5 mm	1.75 mm	4.4 mm	25	097053*
Retaining ring	48 mm	51.5 mm	1.75 mm	4.5 mm	25	097054*
Retaining ring	50 mm	54.2 mm	2 mm	4.6 mm	25	097055*
Retaining ring	52 mm	56.2 mm	2 mm	4.7 mm	25	097056*
Retaining ring	55 mm	59.2 mm	2 mm	5 mm	25	097057*
Retaining ring	58 mm	62.2 mm	2 mm	5.2 mm	25	097058*
Retaining ring	60 mm	64.2 mm	2 mm	5.4 mm	25	097059*
Retaining ring	62 mm	66.2 mm	2 mm	5.5 mm	10	097060*
Retaining ring	65 mm	69.2 mm	2.5 mm	5.8 mm	10	097061*
Retaining ring	68 mm	72.5 mm	2.5 mm	6.1 mm	10	097062*
Retaining ring	70 mm	74.5 mm	2.5 mm	6.2 mm	10	097063*
Retaining ring	72 mm	76.5 mm	2.5 mm	6.4 mm	10	097064*
Retaining ring	75 mm	79.5 mm	2.5 mm	6.6 mm	10	097065*
Retaining ring	80 mm	85.5 mm	2.5 mm	7 mm	10	097066*

* = The delivery time is 14 days

AGR: 01.307

INTERNAL/Approved (2019-03-22 14:43:42)

DIN 6799, spring steel phosphated



1

Application Area

- Hold discs for limiting of the part movement-freedom on shafts

Characteristics

- Waltzed and oiled

Hints

- Inner diameter= d2
Outer diameter= d3

DIN 6799, spring steel phosphated

Title	Internal Ø	External Ø	Ø d1	Ø d1, max.	Thickness material	Width opening a	PU Piece	Article No.
Retaining washer	2.3 mm	6.3 mm	3 mm	4 mm	0.6 mm	1.94 mm	50	003115
Retaining washer	3.2 mm	7.3 mm	4 mm	5 mm	0.6 mm	2.7 mm	50	003123
Retaining washer	4 mm	9.3 mm	5 mm	7 mm	0.7 mm	3.34 mm	50	003131
Retaining washer	5 mm	11.3 mm	6 mm	8 mm	0.7 mm	4.11 mm	50	003140
Retaining washer	6 mm	12.3 mm	7 mm	9 mm	0.7 mm	5.26 mm	50/500	003158
Retaining washer	7 mm	14.3 mm	8 mm	11 mm	0.9 mm	5.84 mm	50	003166
Retaining washer	8 mm	16.3 mm	9 mm	12 mm	1 mm	6.52 mm	50	003174
Retaining washer	9 mm	18.8 mm	10 mm	14 mm	1.1 mm	7.63 mm	50	003182
Retaining washer	10 mm	20.4 mm	11 mm	15 mm	1.2 mm	8.32 mm	50	003190
Retaining washer	12 mm	23.4 mm	13 mm	18 mm	1.3 mm	10.45 mm	50	003204
Retaining washer	15 mm	29.4 mm	16 mm	24 mm	1.5 mm	12.61 mm	50	003212

AGR: 01.302

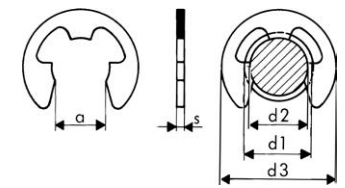
DIN 6799, stainless steel 1.4122 (A1)

Application Area

- Hold discs for limiting of the part movement-freedom on shafts

Hints

- Inner diameter= d2
- Outer diameter= d3



DIN 6799, stainless steel 1.4122 (A1)

Title	Internal Ø	External Ø	Ø d1	Ø d1, max.	Thickness material	Width opening a	PU Piece	Article No.
Retaining washer	1.5 mm	4.25 mm	2 mm	2.5 mm	0.4 mm	1.28 mm	1000	097161*
Retaining washer	1.9 mm	4.8 mm	2.5 mm	3 mm	0.5 mm	1.61 mm	1000	097162*
Retaining washer	2.3 mm	6.3 mm	3 mm	4 mm	0.6 mm	1.94 mm	1000	097163*
Retaining washer	3.2 mm	7.3 mm	4 mm	5 mm	0.6 mm	2.7 mm	1000	097164*
Retaining washer	4 mm	9.3 mm	5 mm	7 mm	0.7 mm	3.34 mm	1000	097165*
Retaining washer	5 mm	11.3 mm	6 mm	8 mm	0.7 mm	4.11 mm	1000	097166*
Retaining washer	6 mm	12.3 mm	7 mm	9 mm	0.7 mm	5.26 mm	1000	097167*
Retaining washer	7 mm	14.3 mm	8 mm	11 mm	0.9 mm	5.84 mm	500	097168*
Retaining washer	8 mm	16.3 mm	9 mm	12 mm	1 mm	6.52 mm	500	097169*
Retaining washer	9 mm	18.8 mm	10 mm	14 mm	1.1 mm	7.63 mm	500	097170*
Retaining washer	10 mm	20.4 mm	11 mm	15 mm	1.2 mm	8.32 mm	500	097171*
Retaining washer	12 mm	23.4 mm	13 mm	18 mm	1.3 mm	10.45 mm	200	097172*
Retaining washer	15 mm	29.4 mm	16 mm	24 mm	1.5 mm	12.61 mm	200	097173*

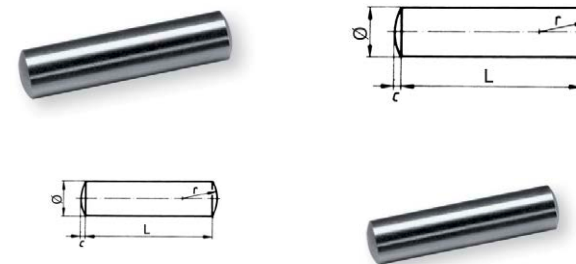
* = The delivery time is 14 days

AGR: 01.308

1 DIN 7, steel plain

Characteristics

- Tolerance zone m6



DIN 7, steel plain					
Title	Nominal Ø	Length	Height point	PU Piece	Article No.
Parallel pin	4 mm	5 mm	0.6 mm	100	151859
Parallel pin	6 mm	10 mm	0.9 mm	200	151860
Parallel pin	8 mm	45 mm	1.2 mm	50	151861

AGR: 00.259

DIN 7, stainless steel 1.4305 (A1)

Application Area

- Connection and fixing of parts at appliances or tools

Characteristics

- Tolerance zone m6

Hints

- ~ ISO 2338
- ISO-Changes:
- Length L new to ISO inclusive cone (until now DIN exclusive cone)
- Forms A, B and C (Form A= tolerance field m6 new with cone)



Ø mm	2	3	4	5	6
c mm	0,3	0,45	0,6	0,75	0,9
r mm	2,0	3,0	4,0	5,0	6,0

DIN 7, stainless steel 1.4305 (A1)					
Title	Nominal Ø	Length	Height point	PU Piece	Article No.
Parallel pin	2 mm	4 mm	0.3 mm	500	094496*
Parallel pin	2 mm	5 mm	0.3 mm	500	094497*
Parallel pin	2 mm	6 mm	0.3 mm	500	094499*
Parallel pin	2 mm	8 mm	0.3 mm	500	094500*
Parallel pin	2 mm	10 mm	0.3 mm	500	094502*
Parallel pin	2 mm	12 mm	0.3 mm	500	094503*
Parallel pin	2 mm	14 mm	0.3 mm	500	094504*
Parallel pin	2 mm	16 mm	0.3 mm	500	094505*
Parallel pin	2 mm	18 mm	0.3 mm	500	094506*
Parallel pin	2 mm	20 mm	0.3 mm	500	094507*
Parallel pin	2 mm	24 mm	0.3 mm	500	094508*
Parallel pin	2 mm	28 mm	0.3 mm	500	094509*
Parallel pin	2 mm	32 mm	0.3 mm	500	094510*
Parallel pin	3 mm	4 mm	0.45 mm	200	094511*
Parallel pin	3 mm	5 mm	0.45 mm	200	094512*
Parallel pin	3 mm	6 mm	0.45 mm	200	094513*
Parallel pin	3 mm	8 mm	0.45 mm	200	094514*
Parallel pin	3 mm	10 mm	0.45 mm	200	094515*
Parallel pin	3 mm	12 mm	0.45 mm	200	094516*
Parallel pin	3 mm	14 mm	0.45 mm	200	094517*
Parallel pin	3 mm	16 mm	0.45 mm	200	094518*
Parallel pin	3 mm	18 mm	0.45 mm	200	094519*
Parallel pin	3 mm	20 mm	0.45 mm	200	094520*
Parallel pin	3 mm	24 mm	0.45 mm	200	094521*
Parallel pin	3 mm	28 mm	0.45 mm	200	094522*
Parallel pin	3 mm	30 mm	0.45 mm	200	094523*
Parallel pin	3 mm	32 mm	0.45 mm	200	094524*
Parallel pin	3 mm	36 mm	0.45 mm	200	094525*
Parallel pin	3 mm	40 mm	0.45 mm	200	094526*
Parallel pin	4 mm	5 mm	0.6 mm	200	094527*
Parallel pin	4 mm	6 mm	0.6 mm	200	094528*

INTERNAL/Approved (2019-03-22 14:44:46)

Securing elements

1

DIN 7, stainless steel 1.4305 (A1)					
Title	Nominal Ø	Length	Height point	PU Piece	Article No.
Parallel pin	4 mm	8 mm	0.6 mm	200	094529*
Parallel pin	4 mm	10 mm	0.6 mm	200	094530*
Parallel pin	4 mm	12 mm	0.6 mm	200	094531*
Parallel pin	4 mm	14 mm	0.6 mm	200	094532*
Parallel pin	4 mm	16 mm	0.6 mm	200	094533*
Parallel pin	4 mm	18 mm	0.6 mm	200	094534*
Parallel pin	4 mm	20 mm	0.6 mm	200	094535*
Parallel pin	4 mm	24 mm	0.6 mm	200	094536*
Parallel pin	4 mm	28 mm	0.6 mm	200	094537*
Parallel pin	4 mm	30 mm	0.6 mm	200	094538*
Parallel pin	4 mm	32 mm	0.6 mm	200	094539*
Parallel pin	4 mm	36 mm	0.6 mm	200	094540*
Parallel pin	4 mm	40 mm	0.6 mm	200	094541*
Parallel pin	4 mm	50 mm	0.6 mm	200	094542*
Parallel pin	4 mm	60 mm	0.6 mm	200	094543*
Parallel pin	5 mm	6 mm	0.75 mm	100	094544*
Parallel pin	5 mm	8 mm	0.75 mm	100	094545*
Parallel pin	5 mm	10 mm	0.75 mm	100	094546*
Parallel pin	5 mm	12 mm	0.75 mm	100	094547*
Parallel pin	5 mm	14 mm	0.75 mm	100	094548*
Parallel pin	5 mm	16 mm	0.75 mm	100	094549*
Parallel pin	5 mm	18 mm	0.75 mm	100	094550*
Parallel pin	5 mm	20 mm	0.75 mm	100	094551*
Parallel pin	5 mm	24 mm	0.75 mm	100	094552*
Parallel pin	5 mm	28 mm	0.75 mm	100	094553*
Parallel pin	5 mm	30 mm	0.75 mm	100	094554*
Parallel pin	5 mm	32 mm	0.75 mm	100	094555*
Parallel pin	5 mm	36 mm	0.75 mm	100	094556*
Parallel pin	5 mm	40 mm	0.75 mm	100	094557*
Parallel pin	5 mm	45 mm	0.75 mm	100	094558*
Parallel pin	5 mm	50 mm	0.75 mm	100	094559*

DIN 7, stainless steel 1.4305 (A1)					
Title	Nominal Ø	Length	Height point	PU Piece	Article No.
Parallel pin	5 mm	60 mm	0.75 mm	100	094560*
Parallel pin	6 mm	8 mm	0.9 mm	100	094561*
Parallel pin	6 mm	10 mm	0.9 mm	100	094562*
Parallel pin	6 mm	12 mm	0.9 mm	100	094563*
Parallel pin	6 mm	14 mm	0.9 mm	100	094564*
Parallel pin	6 mm	16 mm	0.9 mm	100	094565*
Parallel pin	6 mm	20 mm	0.9 mm	100	094567*
Parallel pin	6 mm	24 mm	0.9 mm	100	094568*
Parallel pin	6 mm	28 mm	0.9 mm	100	094569*
Parallel pin	6 mm	30 mm	0.9 mm	100	094570*
Parallel pin	6 mm	32 mm	0.9 mm	100	094571*
Parallel pin	6 mm	36 mm	0.9 mm	100	094572*
Parallel pin	6 mm	40 mm	0.9 mm	100	094573*
Parallel pin	6 mm	45 mm	0.9 mm	100	094574*
Parallel pin	6 mm	50 mm	0.9 mm	100	094575*
Parallel pin	6 mm	55 mm	0.9 mm	100	094576*
Parallel pin	6 mm	60 mm	0.9 mm	100	094577*
Parallel pin	6 mm	70 mm	0.9 mm	100	094578*
Parallel pin	6 mm	80 mm	0.9 mm	100	094580*

* = The delivery time is 14 days

AGR: 00.258

INTERNAL/Approved (2019-03-22 14:45:19)

1

Hose Clamps B9 W2

- Wide clamping range for flexible use
- Superscript band edges and embossed belt prevent injuries hose
- Even small torques are sufficient for a firm hold

Application Area

- Universal use for small and medium diameter, such as cooling water connections, pressure fuel pipes and exhaust pipes, oil and air hoses

Characteristics

- According to DIN 3017-1 form A (worm drive) marked ribbon, asymmetric's case, screw hexagon with slotted drive



Technical Data

Surface protection	zinc plated
Norms	DIN 3017-1

Title	Clamping range	Chucking capacity inch	Band Width	Band Thickness	Wrench Width	PU Piece	Article No.
Hose Clamp B9 W2	8 - 12 mm	5/16 - 1/2 "	9 mm	0.6 mm	7 mm	25/100	034546
Hose Clamp B9 W2	8 - 16 mm	5/16 - 5/8 "	9 mm	0.6 mm	7 mm	25/100	303275
Hose Clamp B9 W2	12 - 20 mm	1/2 - 3/4 "	9 mm	0.6 mm	7 mm	25/100	303283
Hose Clamp B9 W2	16 - 25 mm	5/8 - 1 "	9 mm	0.6 mm	7 mm	25/100	303291
Hose Clamp B9 W2	20 - 32 mm	3/4 - 1 1/4 "	9 mm	0.6 mm	7 mm	25/100	303305
Hose Clamp B9 W2	23 - 35 mm	7/8 - 1 3/8 "	9 mm	0.6 mm	7 mm	25/100	034547
Hose Clamp B9 W2	25 - 40 mm	1 - 1 5/8 "	9 mm	0.6 mm	7 mm	25/100	303313
Hose Clamp B9 W2	30 - 45 mm	1 3/16 - 1 3/4 "	9 mm	0.6 mm	7 mm	25/100	002171
Hose Clamp B9 W2	32 - 50 mm	1 1/4 - 2 "	9 mm	0.6 mm	7 mm	10/50	303321
Hose Clamp B9 W2	40 - 60 mm	1 5/8 - 2 3/8 "	9 mm	0.6 mm	7 mm	10/50	303330
Hose Clamp B9 W2	50 - 70 mm	2 - 2 3/4 "	9 mm	0.6 mm	7 mm	10/50	303348
Hose Clamp B9 W2	60 - 80 mm	2 3/8 - 3 1/8 "	9 mm	0.6 mm	7 mm	25	303356
Hose Clamp B9 W2	70 - 90 mm	2 3/4 - 3 1/2 "	9 mm	0.6 mm	7 mm	25	303364
Hose Clamp B9 W2	80 - 100 mm	3 1/8 - 4 "	9 mm	0.6 mm	7 mm	25	034548
Hose Clamp B9 W2	90 - 110 mm	3 1/4 - 4 "	9 mm	0.6 mm	7 mm	25	303372
Hose Clamp B9 W2	100 - 120 mm	4 - 4 3/4 "	9 mm	0.6 mm	7 mm	25	034549

AGR: 16.322

INTERNAL/Approved (2019-03-22 14:45:38)

Hose Clamps B12 W2

- Wide clamping range for flexible use
- Superscript band edges and embossed belt prevent injuries hose
- Even small torques are sufficient for a firm hold



1

Application Area

- Universal use for medium to large diameter, such as cooling water hoses, exhaust manifolds, oil and air hoses, pressure-free exhaust pipes

Characteristics

- According to DIN 3017-1 form A (worm drive), marked ribbon, asymmetric case, hexagon head bolt with cross and combination indented cross

Technical Data

Surface protection	zinc plated
Norms	DIN 3017-1

Title	Clamping range	Chucking capacity inch	Band Width	Band Thickness	Wrench Width	PU Piece	Article No.
Hose Clip B12 W2	16 - 25 mm	5/8 - 1 "	12 mm	0.7 mm	7 mm	25/100	254430
Hose Clip B12 W2	20 - 32 mm	3/4 - 1 1/4 "	12 mm	0.7 mm	7 mm	25/100	254431
Hose Clip B12 W2	25 - 40 mm	1 - 1 5/8 "	12 mm	0.7 mm	7 mm	25/100	254432
Hose Clip B12 W2	32 - 50 mm	1 1/4 - 2 "	12 mm	0.7 mm	7 mm	10/50	254433
Hose Clip B12 W2	40 - 60 mm	1 5/8 - 2 3/8 "	12 mm	0.7 mm	7 mm	10/50	254434
Hose Clip B12 W2	50 - 70 mm	2 - 2 3/4 "	12 mm	0.7 mm	7 mm	10/50	254435
Hose Clip B12 W2	60 - 80 mm	2 3/8 - 3 1/8 "	12 mm	0.7 mm	7 mm	25	254476
Hose Clip B12 W2	70 - 90 mm	2 3/4 - 3 1/2 "	12 mm	0.7 mm	7 mm	25	254477
Hose Clip B12 W2	80 - 100 mm	3 1/6 - 4 "	12 mm	0.7 mm	7 mm	25	254438
Hose Clip B12 W2	90 - 110 mm	3 1/2 - 4 3/8 "	12 mm	0.7 mm	7 mm	25	288381
Hose Clip B12 W2	100 - 120 mm	4 - 4 3/4 "	12 mm	0.7 mm	7 mm	25	288373
Hose Clip B12 W2	110 - 130 mm	4 3/8 - 5 1/8 "	12 mm	0.7 mm	7 mm	25	288365
Hose Clip B12 W2	120 - 140 mm	4 3/4 - 5 1/8 "	12 mm	0.7 mm	7 mm	25	288357
Hose Clip B12 W2	130 - 150 mm	5 1/8 - 6 "	12 mm	0.7 mm	7 mm	25	288349

AGR: 16.322

INTERNAL/Approved (2019-03-22 14:46:00)

Hose Clamps B9/B12 W4



1

- Large clamping area for flexible use
- Superscript band edges and embossed tape hose prevent injuries
- Even small enough torque for a secure grip

Application Area

- Universal use for small and medium diameter, such as cooling water connections, pressure fuel pipes and exhaust pipes, oil and air hoses

Characteristics

- According to DIN 3017-1 form A (worm drive) marked ribbon, asymmetric's case, screw hexagon with slotted drive

Technical Data

Norms DIN 3017-1

Title	Clamping range	Chucking capacity inch	Band Width	Band Thickness	Wrench Width	PU Piece	Article No.
Hose Clamp B9	8 - 16 mm	5/16 - 5/8 "	9 mm	0.6 mm	7 mm	25	509582
Hose Clamp B9	12 - 20 mm	1/2 - 3/4 "	9 mm	0.6 mm	7 mm	25	734349
Hose Clamp B9	16 - 25 mm	5/8 - 1 "	9 mm	0.6 mm	7 mm	25	509590
Hose Clamp B9	25 - 40 mm	1 - 1 5/8 "	9 mm	0.6 mm	7 mm	25	509604
Hose Clamp B9	32 - 50 mm	1 1/4 - 2 "	9 mm	0.6 mm	7 mm	25	509612
Hose Clamp B9	40 - 60 mm	1 5/8 - 2 3/8 "	9 mm	0.6 mm	7 mm	25	002182
Hose Clamp B9	20 - 32 mm	3/4 - 1 1/4 "	12 mm	0.6 mm	7 mm	25	734357
Hose Clamp B12	16 - 25 mm	5/8 - 1 "	12 mm	0.7 mm	7 mm	25	002189
Hose Clamp B12	25 - 40 mm	1 - 1 5/8 "	12 mm	0.7 mm	7 mm	25	002190
Hose Clamp B12	32 - 50 mm	1 1/4 - 2 "	12 mm	0.7 mm	7 mm	25	002191
Hose Clamp B12	40 - 60 mm	1 5/8 - 2 3/8 "	12 mm	0.7 mm	7 mm	25	734365
Hose Clamp B12	50 - 70 mm	2 - 2 3/4 "	12 mm	0.7 mm	7 mm	25	002192
Hose Clamp B12	60 - 80 mm	2 3/8 - 3 1/8 "	12 mm	0.7 mm	7 mm	25	002193
Hose Clamp B12	70 - 90 mm	2 3/4 - 3 1/4 "	12 mm	0.7 mm	7 mm	25	002195
Hose Clamp B12	80 - 100 mm	3 1/8 - 4 "	12 mm	0.7 mm	7 mm	10	002196
Hose Clamp B12	90 - 110 mm	3 1/2 - 4 3/8 "	12 mm	0.7 mm	7 mm	10	002197
Hose Clamp B12	100 - 120 mm	4 - 4 3/4 "	12 mm	0.7 mm	7 mm	10	002198
Hose Clamp B12	110 - 130 mm	4 3/8 - 5 1/8 "	12 mm	0.7 mm	7 mm	10	002199

AGR: 16.322

INTERNAL/Approved (2019-03-22 14:46:28)

Fuel Hose Clamps MINI S

- For sealing narrowly tolerated hoses
- Very good insulation also by small diameters
- For durably sure connections

Application Area

- Suitable for flexible hoses, such as connections of gasoline, gas, rubber hoses

Characteristics

- Hexagon screw with slot and Phillip combinations

Technical Data

Surface protection	zinc plated
Norms	DIN 3017-2



1

Title	Clamping range	Band Width	Band Thickness	Wrench Width	PU Piece	Article No.
Fuel Hose Clamps MINI S	16 - 18 mm	9 mm	0.4 mm	7 mm	50	015105
Fuel Hose Clamps MINI Aba	6 - 8 mm	9 mm	0.5 mm	7 mm	50	193224
Fuel Hose Clamps MINI Aba	7 - 9 mm	9 mm	0.5 mm	7 mm	50	015016
Fuel Hose Clamps MINI Aba	8 - 10 mm	9 mm	0.5 mm	7 mm	50	015024
Fuel Hose Clamps MINI Aba	9 - 11 mm	9 mm	0.5 mm	7 mm	50	015032
Fuel Hose Clamps MINI Aba	10 - 12 mm	9 mm	0.5 mm	7 mm	50	015040
Fuel Hose Clamps MINI Aba	11 - 13 mm	9 mm	0.5 mm	7 mm	50	015059
Fuel Hose Clamps MINI Aba	12 - 14 mm	9 mm	0.5 mm	7 mm	50	015067
Fuel Hose Clamps MINI S	13 - 15 mm	9 mm	0.5 mm	7 mm	50	015075
Fuel Hose Clamps MINI S	14 - 16 mm	9 mm	0.5 mm	7 mm	50	015083
Fuel Hose Clamps MINI S	15 - 17 mm	9 mm	0.5 mm	7 mm	50	015091

AGR: 16.320

1-Ear-Hose Clamps

- Quick, easy and safe installation
- Edges rounding by sliding abrasive technology, which prevents damage to the tightening hose



INTERNAL/Approved (2019-03-22 14:46:37)

Hose clips

1

- Curled insert fits over the ear opening of the sticking pipe, through this an all around binding is guaranteed
- 1-Eye clamp with insert for connections with soft and hard rubber

Application Area

- used for fastenings of hoses in the low and middle pressure range, e.g. compressed air and fuel hoses

Technical Data

Surface protection yellow chromated

Title	Clamping range	Band Width	PU Piece	Article No.
1-Ear Hose Clamp 8,7	7 - 8.2 mm	7.4 mm	100	258440
1-Ear Hose Clamp 11,3	9.1 - 10.8 mm	7.4 mm	100	370975
1-Ear Hose Clamp 13,3	10.6 - 12.6 mm	8.2 mm	100	413135
1-Ear Hose Clamp 14,5	11.8 - 13.8 mm	8.2 mm	100	151394
1-Ear Hose Clamp 15,5	12.8 - 14.8 mm	8.2 mm	100	545198
1-Ear Hose Clamp 16,5	13.2 - 15.8 mm	8.2 mm	25	010955
1-Ear Hose Clamp 17,5	14.6 - 16.8 mm	8.2 mm	25	010956
1-Ear Hose Clamp 18,5	15.6 - 17.8 mm	8.2 mm	25	010958
1-Ear Hose Clamp 19,5	16.5 - 18.8 mm	8.2 mm	25	010964
1-Ear Hose Clamp	17.1 - 20 mm	9.2 mm	25	010965
1-Ear Hose Clamp	18.8 - 21.1 mm	9.2 mm	25	010966

AGR: 16.327

Accessories Available

	PU Piece	Article No.
Pincers, Titanium Finish, Dip-Insulated 200 mm	1	001346

2-Ear-Hose Clamps

- Easy and fast assembly
- Fixation with a special clamp pliers

Application Area

- For hose fastening in the low and middle pressure range
- Used also for fastening e.g. compounds of metal on metal and strain relief Compressed air and fuel hoses





Title	Clamping range	Band Width	Band Thickness	PU Piece	Article No.
2-Ear Hose Clamp	5 - 7 mm	6 mm	0.6 mm	25/100	365580
2-Ear Hose Clamp	7 - 9 mm	6 mm	0.8 mm	25/100	365599
2-Ear Hose Clamp	9 - 11 mm	6.5 mm	0.8 mm	25/100	365602
2-Ear Hose Clamp	11 - 13 mm	6.5 mm	0.9 mm	25/100	365610
2-Ear Hose Clamp	13 - 15 mm	7 mm	1 mm	25/100	365629
2-Ear Hose Clamp	15 - 18 mm	7.5 mm	1.2 mm	25/100	011129
2-Ear Hose Clamp	17 - 20 mm	7.5 mm	1.2 mm	25/100	892788
2-Ear Hose Clamp	20 - 23 mm	8 mm	1.3 mm	100	663930
2-Ear Hose Clamp	23 - 27 mm	8.5 mm	1.4 mm	100	020126
2-Ear Hose Clamp	28 - 31 mm	9 mm	1.4 mm	100	020127
2-Ear Hose Clamp	31 - 34 mm	9.5 mm	1.4 mm	100	020128
2-Ear Hose Clamp	34 - 37 mm	9.5 mm	1.6 mm	100	020129
2-Ear Hose Clamp	37 - 40 mm	10 mm	1.6 mm	100	020130

AGR: 16.327

Hose Clamp ABA

- High security connection
- High starting torque
- Large clamping area
- All parts are individually galvanized and coated
- Aluminum-zinc coated strip guaranteed three times higher compared with anti-rust galvanized clamps

Application Area

- For very strong and stable hose connections



INTERNAL/Approved (2019-03-22 14:47:00)

Hose clips

Characteristics

- Hexagon Screw, Slotted

Technical Data

Surface protection chromium plated
Norms DIN 3017

Title	Clamping range	Band Width	Band Thickness	Wrench Width	PU Piece	Article No.
Hose Clamp ABA	8 - 14 mm	9 mm	0.8 mm	7 mm	10/50	811211
Hose Clamp ABA	11 - 17 mm	9 mm	0.8 mm	7 mm	10/50	811220
Hose Clamp ABA	13 - 20 mm	9 mm	0.8 mm	7 mm	10/50	811238
Hose Clamp ABA	15 - 24 mm	12 mm	0.8 mm	7 mm	10/50	641391
Hose Clamp ABA	19 - 28 mm	12 mm	0.8 mm	7 mm	10/50	641405
Hose Clamp ABA	22 - 32 mm	12 mm	0.8 mm	7 mm	10/50	641413
Hose Clamp ABA	26 - 38 mm	12 mm	0.8 mm	7 mm	10/50	641421
Hose Clamp ABA	32 - 44 mm	12 mm	1 mm	7 mm	10/50	641430
Hose Clamp ABA	38 - 50 mm	12 mm	1 mm	7 mm	10/50	641448
Hose Clamp ABA	44 - 56 mm	12 mm	1 mm	7 mm	10/25	641456
Hose Clamp ABA	50 - 65 mm	12 mm	1 mm	7 mm	10/25	641464
Hose Clamp ABA	58 - 75 mm	12 mm	1 mm	7 mm	10/25	641472
Hose Clamp ABA	68 - 85 mm	12 mm	1 mm	7 mm	10/25	011092
Hose Clamp ABA	77 - 95 mm	12 mm	1 mm	7 mm	10/25	011093
Hose Clamp ABA	87 - 112 mm	12 mm	1 mm	7 mm	10/25	011094
Hose Clamp ABA	104 - 138 mm	12 mm	1 mm	7 mm	10/25	011095
Hose Clamp ABA	130 - 165 mm	12 mm	1 mm	7 mm	10/25	929816

AGR: 16.321

Fuel Hose Clamps MINI S

- For sealing narrowly tolerated hoses
- Very good insulation also by small diameters
- For durably sure connections

Application Area

- Suitable for flexible hoses, such as connections of gasoline, gas, rubber hoses

Characteristics

- Hose clamps with bandwidth 9:
- Cylinder head screw with slot
- Hose clamps with bandwidth 12/15:
- Hexagon screw with slot

Technical Data

Surface protection zinc plated



Title	Clamping range	Band Width	Band Thickness	Wrench Width	Norms	PU Piece	Article No.
STD CLIPS S 15/12	15 - 15 mm	12 mm	0.7 mm	8 mm	DIN 3017	50	023914
STD CLIPS S 16/12	16 - 16 mm	12 mm	0.7 mm	8 mm	DIN 3017	50	023916
STD CLIPS S 17/12	17 - 17 mm	12 mm	0.7 mm	8 mm	DIN 3017	50	023919
STD CLIPS S 18/12	18 - 18 mm	12 mm	0.7 mm	8 mm	DIN 3017	50	023920

Pipe clamps RSGU

1

- To curb the vibration and avoid contact corrosion, the clamps should provide with rubber profile.
- Strengthened line end with a interlocking, flexible line prevent fraying or loose at attachments e.g. at pressurised lines.

Application Area

- Attachment of pipes, cables, hoses and similar things at auto body and machines

Characteristics

- Steel galvanized on DIN 3016 part 1,
- Material: polychloroprene, temperature range: -30 °C to +100 °C, consistent against petrol, oil, fat, alcohols, acid, bases (lye)

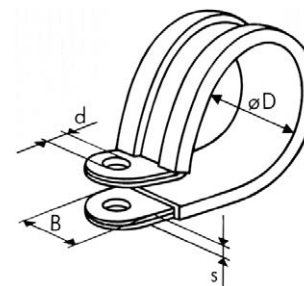
Hints

- Supply without screws and nuts

Technical Data

Norms DIN 3016-1

Title	Ø Fixing Hole, Mm	Band Width	Band Thickness	For pipe Ø	PU Piece	Article No.
Rubber pipe clamp	4.3 mm	9 mm	0.4 mm	8 mm	10/100	022640
Rubber pipe clamp	4.3 mm	9 mm	0.4 mm	10 mm	10/100	022667
PIPE CLP.RSGU 1100 12/9	4.3 mm	9 mm	0.4 mm	12 mm	10/100	022683
Rubber pipe clamp	5.2 mm	12 mm	0.4 mm	6 mm	10/100	022764
Rubber pipe clamp	5.2 mm	12 mm	0.5 mm	8 mm	10/100	022772
Rubber pipe clamp	5.2 mm	12 mm	0.5 mm	10 mm	10/100	022799
Rubber pipe clamp	5.2 mm	12 mm	0.5 mm	12 mm	10/100	022810
Rubber pipe clamp	5.2 mm	12 mm	0.5 mm	14 mm	10/100	022829
Rubber pipe clamp	5.2 mm	12 mm	0.5 mm	15 mm	10/100	022837
Rubber pipe clamp	5.2 mm	12 mm	0.5 mm	16 mm	10/100	022845
Rubber pipe clamp	5.2 mm	12 mm	0.5 mm	18 mm	10/100	022853
Rubber pipe clamp	5.2 mm	12 mm	0.5 mm	20 mm	10/100	022870
Rubber pipe clamp	5.2 mm	12 mm	0.5 mm	22 mm	25	011103
PIPE CLP.RSGU 1100 24/12	5.2 mm	12 mm	0.5 mm	24 mm	10/100	545406
Rubber pipe clamp	5.2 mm	12 mm	0.8 mm	28 mm	25	158480
PIPE CLP.RSGU 1100 35/12	5.2 mm	12 mm	0.8 mm	35 mm	25	666378



Title	Ø Fixing Hole, Mm	Band Width	Band Thickness	For pipe Ø	PU Piece	Article No.
Rubber pipe clamp	6.4 mm	15 mm	0.6 mm	6 mm	50	022888
Rubber pipe clamp	6.4 mm	15 mm	0.6 mm	8 mm	50	022896
Rubber pipe clamp	6.4 mm	15 mm	0.6 mm	10 mm	25	022918
Rubber pipe clamp	6.4 mm	15 mm	0.6 mm	12 mm	50	022926
Rubber pipe clamp	6.4 mm	15 mm	0.6 mm	14 mm	25	022934
Rubber pipe clamp	6.4 mm	15 mm	0.8 mm	15 mm	10/100	022942
Rubber pipe clamp	6.4 mm	15 mm	0.8 mm	16 mm	25	022950
Rubber pipe clamp	6.4 mm	15 mm	0.8 mm	17 mm	25	022969
Rubber pipe clamp	6.4 mm	15 mm	0.8 mm	18 mm	10/100	022977
Rubber pipe clamp	6.4 mm	15 mm	0.8 mm	20 mm	25	022993
Rubber pipe clamp	6.4 mm	15 mm	0.8 mm	22 mm	50	023000
Rubber pipe clamp	6.4 mm	15 mm	0.8 mm	25 mm	50	023027
Rubber pipe clamp	6.4 mm	15 mm	0.8 mm	28 mm	100	157752
PIPE CLP.RSGU 1100 30/15	6.4 mm	15 mm	0.8 mm	30 mm	50	023060
Rubber pipe clamp	6.4 mm	15 mm	0.8 mm	35 mm	100	157753
Rubber pipe clamp	6.4 mm	15 mm	0.8 mm	42 mm	100	157754
PIPE CLP.RSGU 1100 24/15	6.5 mm	15 mm	0.8 mm	24 mm	10/50	023019
Rubber pipe clamp	8.4 mm	20 mm	0.8 mm	10 mm	25	023078
Rubber pipe clamp	8.4 mm	20 mm	0.8 mm	12 mm	50	023086
Rubber pipe clamp	8.4 mm	20 mm	0.8 mm	14 mm	25	023108
Rubber pipe clamp	8.4 mm	20 mm	0.8 mm	15 mm	25	023116
Rubber pipe clamp	8.4 mm	20 mm	0.8 mm	16 mm	25	023124
Rubber pipe clamp	8.4 mm	20 mm	0.8 mm	18 mm	25	023132
Rubber pipe clamp	8.4 mm	20 mm	0.8 mm	20 mm	25	023140
Rubber pipe clamp	8.4 mm	20 mm	0.8 mm	22 mm	25	023159
Rubber pipe clamp	8.4 mm	20 mm	0.8 mm	24 mm	25	023167
Rubber pipe clamp	8.4 mm	20 mm	0.8 mm	25 mm	25	023175
Rubber pipe clamp	8.4 mm	20 mm	1 mm	28 mm	25	023183
Rubber pipe clamp	8.4 mm	20 mm	1 mm	30 mm	25	023191
Rubber pipe clamp	8.4 mm	20 mm	1 mm	32 mm	10	170075
Rubber pipe clamp	8.4 mm	20 mm	1 mm	35 mm	25	112451
Rubber pipe clamp	8.4 mm	20 mm	1 mm	40 mm	25	112452

INTERNAL/Approved (2019-03-22 14:48:31)

1

Title	Ø Fixing Hole, Mm	Band Width	Band Thickness	For pipe Ø	PU Piece	Article No.
Rubber pipe clamp	10.5 mm	25 mm	1.25 mm	50 mm	10	112505
Rubber pipe clamp	10.5 mm	25 mm	1.25 mm	60 mm	10	170140

AGR: 16.360 / 16.361 / 16.362 / 16.363 / 16.364

Hose and Tension Clamps W1

- Extremely high ribbon attractions
- Robust, broad band prevents compression or damage of the spanned building components
- Superscript band edges prevent hose injuries
- Equal distribution of pressure on the entire hose clamp diameters

Application Area

- Fastening of suction and compressed air hoses with particularly high structural strength, or with plastic or steel inserts
- For clamping hydraulic hoses, high pressure pipes, cables, hoses and containers etc.



Characteristics

- One-piece design similar to DIN 3017-3
Threaded bolt with nut

Technical Data

Surface protection yellow zinc plated

Title	Clamping range	Chucking capacity inch	Band Width	Band Thickness	Wrench Width	PU Piece	Article No.
Hose and Tension Clamps W1	29 - 31 mm	1 5/32 - 1 7/32 "	20 mm	0.8 mm	10 mm	25	926060
Hose and Tension Clamps W1	32 - 35 mm	1 9/32 - 1 3/8 "	20 mm	0.8 mm	10 mm	25	926078
Hose and Tension Clamps W1	36 - 39 mm	1 7/16 - 1 1/2 "	20 mm	0.8 mm	10 mm	25	926086
Hose and Tension Clamps W1	40 - 43 mm	1 9/16 - 1 11/16 "	20 mm	0.8 mm	10 mm	25	926094
Hose and Tension Clamps W1	44 - 47 mm	1 3/4 - 1 7/8 "	22 mm	1.2 mm	11 mm	25	926108
Hose and Tension Clamps W1	48 - 51 mm	1 7/8 - 2 "	22 mm	1.2 mm	11 mm	25	926116
Hose and Tension Clamps W1	52 - 55 mm	2 1/16 - 2 5/32 "	22 mm	1.2 mm	11 mm	25	926124
Hose and Tension Clamps W1	56 - 59 mm	2 7/32 - 2 5/16 "	22 mm	1.2 mm	11 mm	25	926132
Hose and Tension Clamps W1	60 - 63 mm	2 11/32 - 2 1/2 "	22 mm	1.2 mm	11 mm	25	926140
Hose and Tension Clamps W1	64 - 67 mm	2 17/32 - 2 21/32 "	22 mm	1.2 mm	11 mm	10	926159
Hose and Tension Clamps W1	68 - 73 mm	2 11/16 - 2 7/8 "	24 mm	1.5 mm	13 mm	10	926167

INTERNAL/Approved (2019-03-22 14:48:59)

Title	Clamping range	Chucking capacity inch	Band Width	Band Thickness	Wrench Width	PU Piece	Article No.
Hose and Tension Clamps W1	74 - 79 mm	2 29/32 - 3 1/8 "	24 mm	1.5 mm	13 mm	10	926175
Hose and Tension Clamps W1	80 - 85 mm	3 5/32 - 3 11/32 "	24 mm	1.5 mm	13 mm	10	926183
Hose and Tension Clamps W1	86 - 91 mm	3 3/8 - 3 9/16 "	24 mm	1.5 mm	13 mm	10	926191
Hose and Tension Clamps W1	92 - 97 mm	3 5/8 - 3 13/16 "	24 mm	1.5 mm	13 mm	10	926205
Hose and Tension Clamps W1	98 - 103 mm	3 27/32 - 4 1/6 "	24 mm	1.5 mm	13 mm	10	926213
Hose and Tension Clamps W1	104 - 112 mm	4 3/32 - 4 3/8 "	24 mm	1.5 mm	13 mm	10	104509
Hose and Tension Clamps W1	113 - 121 mm	4 7/16 - 4 3/4 "	24 mm	1.5 mm	13 mm	10	104510
Hose and Tension Clamps W1	122 - 130 mm	4 13/16 - 5 1/8 "	24 mm	1.5 mm	13 mm	10	104511
Hose and Tension Clamps W1	131 - 139 mm	5 5/32 - 5 15/32 "	26 mm	1.7 mm	17 mm	10	104512
Hose and Tension Clamps W1	140 - 148 mm	5 1/2 - 5 13/16 "	26 mm	1.7 mm	17 mm	10	104513
Joint Bolt Clamp	149 - 161 mm	5 7/8 - 6 11/32 "	26 mm	1.7 mm	17 mm	10	104514
Hose and Tension Clamps W1	162 - 174 mm	6 3/8 - 6 7/8 "	26 mm	1.7 mm	17 mm	10	104516
Joint Bolt Clamp	188 - 200 mm	7 13/32 - 7 7/8 "	26 mm	1.7 mm	17 mm	10	104518

AGR: 16.329

Hose Clamps MINIFLEX

- Very flexible band

Application Area

- Ideally suited for small diameter
- Fuel and vacuum hoses
- Small engine & garden equipment

Characteristics

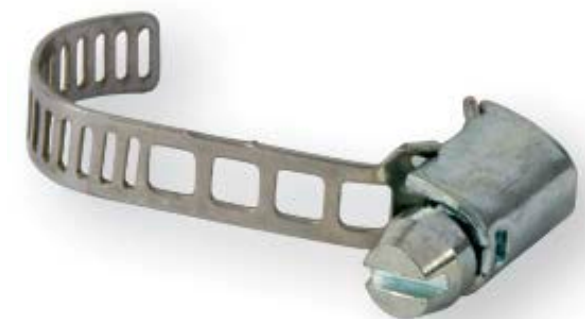
- Screw with a longitudinal slot

Technical Data

Surface protection zinc plated

Title	Clamping range	Chucking capacity inch	Band Width	Band Thickness	PU Piece	Article No.
Hose Clamps MINIFLEX	7 - 11 mm	1/4 - 1/2 "	5.5 mm	0.5 mm	100	022420
Hose Clamps MINIFLEX	11 - 19 mm	7/16 - 3/4 "	5.5 mm	0.5 mm	100	022438

AGR: 16.322



INTERNAL/Approved (2019-03-22 14:49:26)

Hose Strap with Lock W2

1

- Individual hose clamp sizes can be produced according to as it required

Application Area

- For the production of individual hose clamp sizes, usually very large diameter, such as heating and ventilation systems and work in industrial equipment
- Creation of round, rectangular, square and oval hose clamps

Characteristics

- Hexagon bolt with longitudinal slit

Technical Data

Surface protection zinc plated

Title	Band Width	Band Thickness	Band Length	Wrench Width	Number Of Locks	PU Amount	Article No.
SPANNSCHLOSS FUER SCHLAUCHBAND	8 mm	0.4 mm	-	-	-	1/25	641189
HOSE TAPE A2 8MM 5M-ROLL	8 mm	0.4 mm	5 m	-	-	1	894126
Hose Tie	8 mm	0.7 mm	3 m	6 mm	8 PC	1	033553
Hose Tie	14 mm	0.7 mm	3 m	8 mm	6 PC	1	033554

AGR: 16.328



Hose clamp assortment ABA

Scope Of Delivery

- Wall panel and flexible screw driver are included

Title	PU Piece	Article No.
Hose Clamp ABA Assortment	1	850757
AGR: 16.321		
Scope Of Supply	Piece	Article No.
Hose Clamp Aba-Nova 9 mm 8-14	12	811211
Hose Clamp Aba-Nova 9 mm 11-17	12	811220
Hose Clamp Aba-Nova 9 mm 13-20	12	811238
Hose Clamp Aba-Original 12 mm 15-24	24	641391
Hose Clamp Aba-Original 12 mm 19-28	12	641405
Hose Clamp Aba-Original 12 mm 22-32	12	641413
Hose Clamp Aba-Original 12 mm 26-38	12	641421
Hose Clamp Aba-Original 12 mm 32-44	12	641430
Hose Clamp Aba-Original 12 mm 38-50	12	641448
Hose Clamp Aba-Original 12 mm 44-56	12	641456
Hose Clamp Aba-Original 12 mm 50-65	12	641464
Fuel Hose Clamps MINI Aba MINI S wide 9 mm, Ø 8 mm	10	193224
Fuel Hose Clamps MINI Aba MINI S wide 9 mm, Ø 9 mm	10	015016
Fuel Hose Clamps MINI Aba MINI S wide 9 mm, Ø 10 mm	10	015024
Fuel Hose Clamps MINI Aba MINI S wide 9 mm, Ø 11 mm	10	015032
Fuel Hose Clamps MINI Aba MINI S wide 9 mm, Ø 12 mm	10	015040
Fuel Hose Clamps MINI Aba MINI S wide 9 mm, Ø 13 mm	10	015059
Fuel Hose Clamps MINI Aba MINI S wide 9 mm, Ø 14 mm	10	015067
Fuel Hose Clamps MINI Aba MINI S wide 9 mm, Ø 15 mm	10	015075
Fuel Hose Clamps MINI Aba MINI S wide 9 mm, Ø 16 mm	10	015083
Fuel Hose Clamps MINI Aba MINI S wide 9 mm, Ø 17 mm	10	015091
Screw driver 2K top hex flexible 7,0x150	1	218495



INTERNAL/Approved (2019-03-22 14:49:52)

Hose clamp assortment B9

1 Scope Of Delivery

- Wall panel with fixing material and flexible screw driver are included

Title	PU Piece	Article No.
RGE ATS HSE CLIPS	1	859866

AGR: 16.322

Scope Of Supply	Piece	Article No.
Hose Clamp B9 W2 8-12 mm	15	034546
Hose Clamp B9 W2 12-20 mm	15	303283
Hose Clamp B9 W2 16-25 mm	15	303291
Hose Clamp B9 W2 25-40 mm	15	303313
Hose Clamp B9 W2 32-50 mm	15	303321
Hose Clamp B9 W2 40-60 mm	15	303330
Hose Clamp B9 W2 50-70 mm	15	303348
Hose Clamp B9 W2 70-90 mm	15	303364
Hose Clamp B9 W2 8-16 mm	15	303275
Screw driver 2K top hex flexible 7,0x150	1	218495
Hose Clamps B9 W2	1	166928



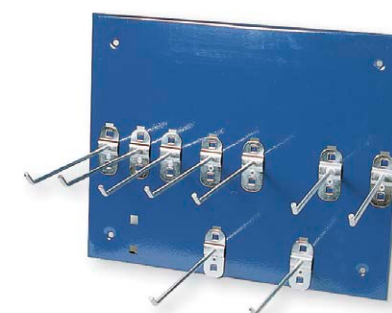
Clip Holder With Hooks Empty

Scope Of Delivery

- Wall holder with a hook and mounting material
- without hose clamps

Title	PU Piece	Article No.
Hose Clamps B9 W2	1	166928

AGR: 07.032



Vehicle Clips

1





No.	Title	Thread	Disc-Ø	Drive	Manufacturer and OEM	PU Piece	Article No.
01	Screw	M 6 x 11.5	16.5 mm	TX 25	VW: N90740701 / 6N080719 Seat: N90740701 / 6N080719	25	097812
02	Screw	M 6 x 16	14 mm	6KT 10	-	50	082031
03	HEX.SCREW WITH COLLARØ16 M6X16	M 6 x 16	16 mm	6KT	PSA: 6925.80	25	155030
04	Screw	M 6 x 16	16 mm	6KT 10	Universal	50	922625
05	Screw	M 6 x 16	17.4 mm	TX 25	Fiat: 46419734	25	153955
06	Screw	M 6 x 17	16 mm	6KT 10	Fiat: 10707021 / 10707024 Alfa Romeo: 10707021 / 10707024 Lancia: 10707021 / 10707024	25	114909
07	HEX.SPLINE SCREW W.COLLAR 6X20	M 6 x 20		6KT		1/50	618164
08	Screw	M 6 x 20	18 mm	6KT 10	PSA: 6974.04	50	155078
09	SCREW WITH COLLAR M6X22 YZI	M 6 x 22		6KT	Alfa Romeo: 10707524 Fiat: 10707524 Lancia: 10707524	25	106731
10	SQUARE SCREW M6X22 FIAT7628035	M 6 x 22		-	Fiat: 7628035	1/25	144434
11	SQUARE SCREW M8X18 FIAT5940767	M 8 x 18		-	Fiat: 5940767 Lancia: 5940767	1/25	733440

AGR: 16.104 / 16.120 / 16.155

INTERNAL/Approved (2019-03-22 14:51:11)

1

Self-tapping and non metric screws

Application Area

- Fixing of panels, sheets, profiles, etc.

Characteristics

- The screws are put together with the washers, but freely rotatable

Hints

- Item No. 114908 (6x18) and 249130 (6,5x20) have a double thread
- Item No. 171062 (4,8x15), 200669 (5x16) and 114908 (6x18) have a fixed pressed disc



No.	Title	Dimension	Disc-Ø	Drive	Manufacturer and OEM	PU Piece	Article No.
01	Self-tapping screw	4.2 x 16 mm	15 mm	TX 25	Renault: 7703016405 Audi: N10309101 VW: N10309101	100	144713
02	Self-tapping screw	4.8 x 13 mm	15 mm	6KT 8	Mercedes Benz: N914032004214	100	081299
03	Self-tapping screw	4.8 x 15 mm	15 mm	TX 25	VW: N90775001 Audi: N90775001	100	171062
04	Self-tapping screw	4.8 x 16 mm	15 mm	6KT 8	BMW: 07119916946 / 07119901294	100	161081
05	Self-tapping screw	4.8 x 16 mm	15 mm	6KT 8	Ford: Opel / Vauxhall: VW: BMW: 07147129160 / 51718254528	100	164445
06	Self-tapping screw	4.8 x 19 mm	15 mm	6KT 8	Ford: Opel / Vauxhall: VW: BMW:	100	164446
07	Self-tapping screw	4.8 x 19 mm	15 mm	6KT 8	BMW: 07119916949 Opel / Vauxhall: 2020005 / 11071511	100	079995
08	Self-tapping screw	4.8 x 19 mm	20 mm	6KT 25	Ford: 1449533 / W700501S301	50	019474
09	Self-tapping screw	4.8 x 19 mm	26 mm	6KT 8	Mercedes Benz: A2019900536	25	001712
10	Self-tapping screw	5 x 16 mm	15 mm	TX 25	VAG: N90974701	50	200669
11	Self-tapping screw	5 x 16 mm	15 mm	6KT 25	VW:	25	180665
12	Self-tapping screw	5.5 x 16 mm	15 mm	6KT 8	Opel / Vauxhall: 2022107 / 11077982	100	618020
13	Self-tapping screw	5.5 x 19 mm	18 mm	6KT 8	Ford: 2026706 Opel / Vauxhall: 2026706 / 11093351	100	144560
14	Self-tapping screw	5.6 x 13 mm	15 mm	6KT 8	Universal	100	273600
15	Self-tapping screw	5.6 x 19 mm	15 mm	6KT 8	Opel / Vauxhall: 2026706 / 11093351	100	079952
16	Self-tapping screw	6 x 18 mm	15 mm	6KT 8	Fiat-Group: 15699801	100	114908
17	Self-tapping screw	6.3 x 19 mm	18 mm	6KT 10	Universal	100	060784
18	Self-tapping screw	6.3 x 19 mm	18 mm	6KT 10	VAG: 311821143 / N90542602 Ford: 227336 / 1473084 / 6077150 Mercedes Benz: N914031006203 BMW, Mini: 07119916967 / 12138530118 Opel: 2022203	100/500	079405
	HEX.SCREW6,35X17 REN7703016264	6.35 x 17 mm			Renault: 7703016264	50	114940
19	Self-tapping screw	6.5 x 16 mm	18 mm	6KT 10	Universal	100	060783
20	Self-tapping screw	6.5 x 16 mm	18 mm	6KT 10	Universal	100	079413

INTERNAL/Approved (2019-03-22 14:51:53)

Vehicle Clips

1

No.	Title	Dimension	Disc-Ø	Drive	Manufacturer and OEM	PU Piece	Article No.
21	Self-tapping screw	6.5 x 16 mm	22 mm	6KT 10	Opel / Vauxhall: 1101412 / 9287493	100	081604
22	Self-tapping screw	6.5 x 20 mm	20 mm	6KT 10	Opel / Vauxhall: 2026730 / 11084781	100	249130

AGR: 16.101 / 16.102 / 16.104 / 16.111 / 16.150

Related Products

	PU Box	Article No.
Box Sheet Metal Screwn 6,3x19, 150 Pieces	1	083410

Self-tapping screw in shute box



083410

Title	Dimension	Disc-Ø	Drive	Manufacturer and OEM	PU Box	Article No.
Self-tapping screw	6.3 x 19 mm	18 mm	6KT 10	VAG: 311821143 Ford: 227336 / 1473084 / 6077150 Mercedes Benz: N914031006203	1	083410

AGR: 16.150

Twist clips

1



INTERNAL/Approved (2019-03-22 14:52:23)

Vehicle Clips

1

No.	Title	Ø	Length	Ø head	Manufacturer and OEM	PU Piece	Article No.
01	Twist clip	6 mm	20 mm	12 mm	Audi: 4A0805121B	10	097813
02	Twist clip	6.3 mm	22 mm	25 mm	Audi: 4A0805121A VW: 4A0805121A	50	017303
03	Twist clip	6 mm	24 mm	25.1 mm	Audi: 4A0805121C	50	017304
04	Twist clip	7 mm	18.5 mm	17.8 mm	Audi: 8D0805121 VW: 8D0805121	50	017302
05	Twist clip	7 mm	20.5 mm	18 mm	Audi: 8D0805121B VW: 8D0805121B	50	017301
06	Twist clip	6.5 mm	19.5 mm	16.1 mm	PSA: 703016/9632676980	50	116875
07	Twist clip	6.5 mm	21.5 mm	16.1 mm	PSA: 9641098080	25	245669
08	Twist clip	7 mm	19 mm	17 mm	VAG: 6Q0807643	25	200672
09	Twist clip	9.9 mm	20.8 mm	25 mm	VAG: 4F0805121	25	245670

AGR: 16.104 / 16.110



INTERNAL/Approved (2019-03-22 14:53:00)

Vehicle Clips

1



245682
01



144566
02



097809
03

No.	Title	For Screw Ø	External Ø	Thickness material	Manufacturer and OEM	PU Piece	Article No.
01	Clamp washer	5 mm	30.2 mm	6 mm	VAG: N90796502	50	245682
02	Clamp washer	5 mm	30 mm	3 mm	VW: N90335004 / N90335006 Audi: N90335004 / N90335006 Ford: 6715468	50	144566
03	Clamp washer	5 mm	30 mm	5.3 mm	VW: N90796501 Audi: N90796501	25	097809

AGR: 16.104

Washers



017305
01



017298
02

No.	Title	For Screw Ø	External Ø	Thickness material	Manufacturer and OEM	PU Piece	Article No.
01	Washer	5 mm	29 mm	1 mm	Audi: 4A0805137 VW: 4A0805137 Skoda: 4A0805137	50	017305
02	Washer	6.6 mm	25 mm	1.2 mm	Audi: 4A0805137A VW: 4A0805137A	50	017298

AGR: 16.104

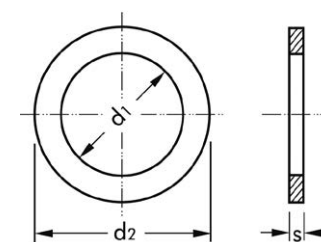
Polyamid sealing ring 14x22x2.5

Hints

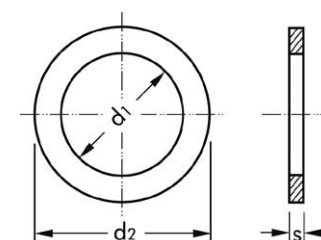
- Suitable oil drain screw:
Ford & Land Rover: Art. 112276

Technical Data

Material	Polyamide (PA)
Surface protection	-



Art. 112276 (Ford / Land Rover)



Art. 112276 (Ford / Land Rover)

Polyamid sealing ring 14x22x2.5

Title	Internal Ø	External Ø	Thickness material	Manufacturer and OEM	PU Piece	Article No.
Polyamid sealing ring	14 mm	22 mm	2.5 mm	Ford: 1454118 / 1649193	100	080632

AGR: 01.641

Related Products

	PU Amount	Article No.
Rubber sealing ring 11x21x2.5	50	171339

INTERNAL/Approved (2019-03-22 14:53:17)

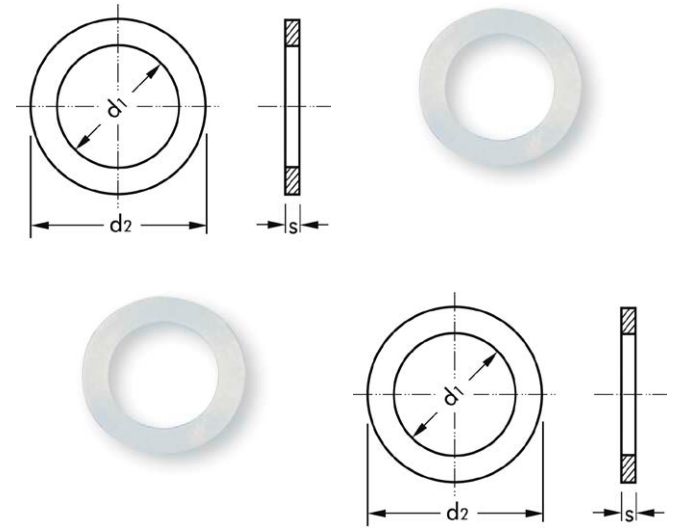
Polyamid sealing ring 13x20x2

1 Technical Data

Material

Polyamide (PA)

Surface protection



Polyamid sealing ring 13x20x2

Title	Internal Ø	External Ø	Thickness material	Manufacturer and OEM	PU Piece	Article No.
Polyamid sealing ring	13 mm	20 mm	2 mm	Ford: -	100	080705

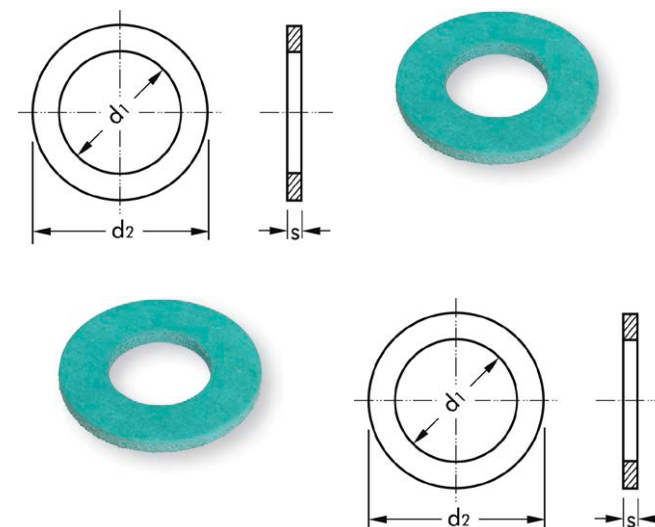
AGR: 01.641

Klingersil sealing rings

Technical Data

Material
Surface protection

Klinger-SIL



1

Klingersil sealing rings						
Title	Internal Ø	External Ø	Thickness material	Manufacturer and OEM	PU Piece	Article No.
Klingersil sealing ring	12 mm	24 mm	2 mm	Daihatsu: 90044-30281 Toyota / Lexus / Scion: 90080-43037 / 90430-12028	50	835250

AGR: 01.609

Related Products

	PU Amount	Article No.
Oil Drain Plug Daihatsu/Nissan/Toyota M 12x1,25x11	10	005445

1 Cage nuts

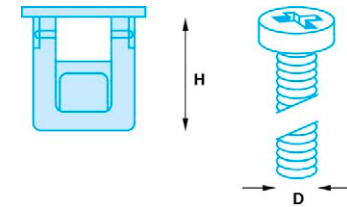
- Cage nuts (box nuts):
- Due to a flexible hub of the nut in the spring steel cage, tolerance fluctuations can be compensated
- Reusable

Application Area

- Fixing of sheets etc. by means of bolts and screws

Processing Information

- Easy mounting due to easy pushing into the material



155003
01



155006
02



079049
03



082503
04

No.	Title	Thread	Thread Pitch mm	Length x width	Installation material thickness	Manufacturer and OEM	PU Piece	Article No.
01	Cage nut	M 6	1 mm	12.1 x 12 mm	1.2 - 1.6 mm	Fiat-Group: 14089390	50	155003
02	Cage nut	M 6	1 mm	14 x 12.4 mm	0.8 - 2.2 mm	Fiat: 14648290 Lancia: 14648290	50	155006
03	Cage nut	M 8	1.25 mm	17.5 x 17.5 mm	3 mm	Fiat-Group: -	100	079049
04	Cage nut	M 6	1 mm	12 x 11.2 mm	1.1 - 1.5 mm	Universal	100	082503

AGR: 16.155

Cage nuts, round

- Cage nuts (box nuts):
- Due to a flexible hub of the nut in the spring steel cage, tolerance fluctuations can be compensated
- Reusable

Application Area

- Fixing of sheets etc. by means of bolts and screws

Processing Information

- Easy mounting due to easy pushing into the material



154916
01



001958
02



154917
03

No.	Title	Thread	Thread Pitch mm	Installation hole, round	Installation material thickness	Manufacturer and OEM	PU Piece	Article No.
01	Cage nut	M 6	1 mm	10 mm	0.7 - 2.5 mm	Renault: 7703044087 PSA: - Alfa Romeo: 14116890	25	154916
02	Cage nut	M 8	1.25 mm	14 mm	0.7 - 5.4 mm	Renault: 7703044013	25	001958
03	Cage nut	M 8	1.25 mm	14.2 mm	1.1 - 2 mm	Renault: 7703044087	25	154917

AGR: 16.155

Nuts for twist clips

1

Application Area

- Art. No. 017300: <soft return/>matching screw caps: Art. No. 017301 and 017302
- Art. No. 017299: <soft return/>matching screw caps: Art. No. 017303 and 017304



Speed nuts

Application Area

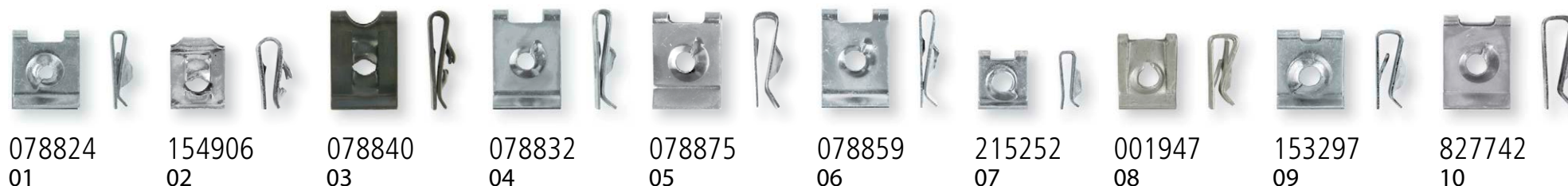
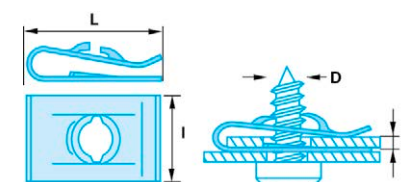
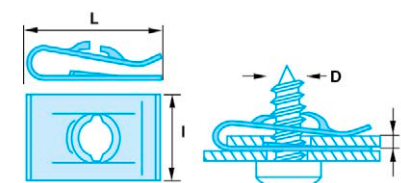
- Fixing of sheets etc. by means of bolts and screws

Processing Information

- Two or more parts can be connected

Hints

- Art.-No. 153213 (Ø4.2x20.5x15.5) is self-locking



078824
01

154906
02

078840
03

078832
04

078875
05

078859
06

215252
07

001947
08

153297
09

827742
10



078883
11

154912
12

100639
13

001954
14

153213
15

079464
16

078921
17

114915
18

078891
19



001951
20

079618
21

078905
22

078913
23

167467
24

078948
25

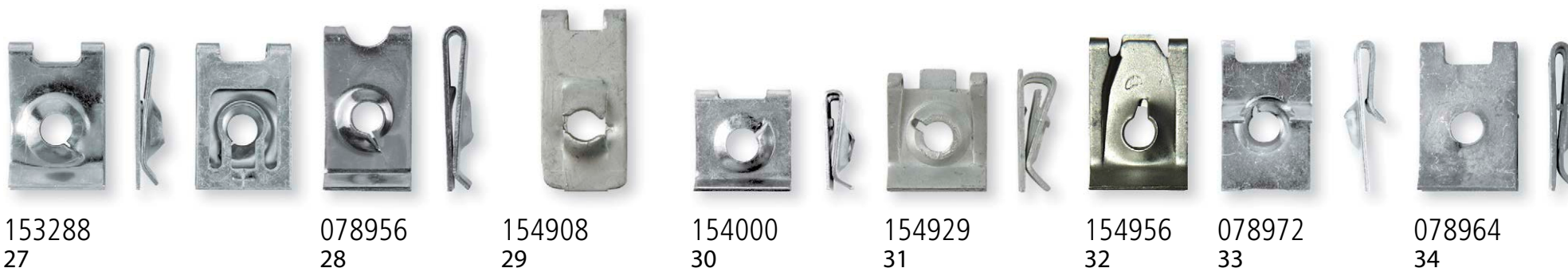
078930

144697
26

INTERNAL/Approved (2019-03-22 14:54:21)

Vehicle Clips

1



153288
27

078956
28

154908
29

154000
30

154929
31

154956
32

078972
33

078964
34

No.	Title	For Screw Ø	Length x width	Manufacturer and OEM	PU Piece	Article No.
01	Speed nut	2.9 mm	13 x 11 mm	Mercedes Benz: A0009944245	100	078824
02	Speed nut	3.5 mm	11.8 x 9 mm	Renault: 7703046039	100	154906
03	Sheet Metal Nut	3.5 mm	16 x 11 mm		100	078840
04	Speed nut	3.5 mm	16.5 x 11 mm	Ford: 1474663 Porsche: 99959146002	100	078832
05	Speed nut	3.9 mm	16 x 11 mm	BMW: 07129925726	100	078875
06	Speed nut	3.9 mm	16.5 x 9 mm	Ford: 237929	100	078859
07	Sheet Metal Nut	4.2 mm	10 x 8 mm		100	215252
08	Speed nut	4.2 mm	12 x 9.5 mm	Renault: 7703046098	100	001947
09	Speed nut	4.2 mm	13.5 x 11 mm	VW: N90170801	25	153297
10	Speed nut	4.2 mm	15.5 x 11 mm	Mercedes Benz: A0009942545	100	827742
11	Speed nut	4.2 mm	16 x 11 mm	VW: N0154222 Audi: N0154222 verschiedene Hersteller: Ford: 1716235	100	078883
12	Sheet Metal Nut	4.2 mm	16 x 12 mm		100	154912
13	Speed nut	4.2 mm	16.5 x 11 mm	Renault: 7703046115 Audi: N0154292 VW: N0154292 BMW: 07129925709 / 07129901644 Ford: 222026 Mercedes Benz: 1409941045	25	100639
14	Speed nut	4.2 mm	20 x 14 mm	Renault:	100	001954
15	Speed nut	4.2 mm	20.5 x 15.5 mm	VW: N90268901 Renault: BMW: 2307022 Opel / Vauxhall: 2072082 / 11090592	100	153213

INTERNAL/Approved (2019-03-22 14:55:14)

No.	Title	For Screw Ø	Length x width	Manufacturer and OEM	PU Piece	Article No.
16	Speed nut	4.2 mm	24 x 11 mm	Opel / Vauxhall: 211837223 VW: 211837223 Audi: 211837223 Ford: 1450657	100	079464
17	Speed nut	4.8 mm	15 x 12 mm	Opel / Vauxhall:	100	078921
18	Speed nut	4.8 mm	15 x 12.5 mm	Fiat-Group: 14368974	100	114915
19	Speed nut	4.8 mm	15.5 x 14.5 mm	BMW: 7129925713 / 07129901649 Mercedes Benz: A0009940545 VW: N0154452 Audi: N0154452	100	078891
20	Speed nut	4.8 mm	19 x 12 mm	PSA: 6943.14	100	001951
21	Speed nut	4.8 mm	20 x 12 mm	BMW: 07129925738 / 07129901654 Ford: 1450293 / 0207266	100	079618
22	Speed nut	4.8 mm	20 x 16 mm	BMW: 07129925737 / 07129901651 Mercedes Benz: 0009941445 / 1269941345	100	078905
23	Sheet Metal Nut	4.8 mm	24 x 16 mm	BMW, Mini: 07129904225	100	078913
24	Speed nut	5.5 mm	20.3 x 15.8 mm	Audi: N10179901 VW: N10179901	25	167467
25	Speed nut	5.6 mm	20 x 13 mm	BMW: 07129925720 Opel / Vauxhall: 2072077	100	078948
	DOUBLE PLAT NUT 20,8X13 Ø5,6	5.6 mm	20.8 x 13 mm		100	078930
26	Speed nut	6.3 mm	25 x 15 mm	VW: N0154491 Audi: N0154491	100	144697
27	Speed nut	6.3 mm	25 x 16 mm	Ford: 6314544 Porsche: 99959132702 Mercedes Benz: 0009940945 Audi: N90739201	100	153288
28	Speed nut	6.3 mm	27 x 14.5 mm	Audi: N0154322 VW: N0154322 Ford: 1470998 Opel / Vauxhall: 207217563 BMW: 07129925742 Volvo: 946418	100	078956
29	Speed nut	6.3 mm	30 x 14 mm	Renault: 7703046110 / 7711429827	100	154908
30	Speed nut	6.35 mm	17 x 16 mm	Ford: 6031840 / 6738766 BMW: 07129925743 Mercedes Benz: 0009940845	100	154000

INTERNAL/Approved (2019-03-22 14:55:35)

1

No.	Title	For Screw Ø	Length x width	Manufacturer and OEM	PU Piece	Article No.
31	Speed nut	6.35 mm	20 x 16 mm	Renault: 7703046049	100	154929
32	Sheet metal nut	6.35 mm	25 x 15 mm		1/100	154956
33	Speed nut	6.5 mm	24.5 x 14.5 mm	Opel / Vauxhall: 2072151 Audi: 311821161 VW: 311821161	100	078972
34	Speed nut	6.5 mm	25 x 16 mm	VW: N0154322 / 803821117 Audi: N0154322 / 803821117 Ford: 1470998 / 0227326 Opel / Vauxhall: 207217563 / 207217565 BMW: Mercedes Benz: 0009945045	100	078964

AGR: 16.104 / 16.111 / 16.150

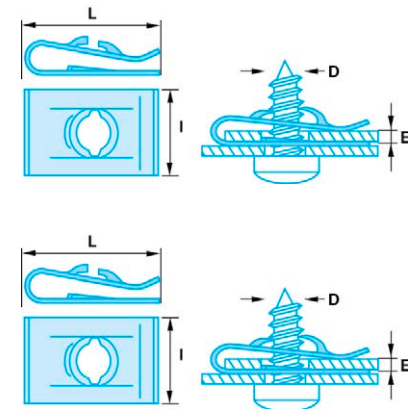
Speed nuts, metric

Application Area

- Fixing of sheets etc. by means of bolts and screws
- Speed nuts with threaded shank are also suitable for demanding connections

Hints

- Art. No. 879096 (M6x24x16) and 879142 (M8x28x18) are self-locking



INTERNAL/Approved (2019-03-22 14:55:53)

No.	Title	Thread	Thread Pitch mm	Length x width	Manufacturer and OEM	PU Piece	Article No.
01	Speed nut	M 5	0.8 mm	15 x 12 mm	Renault: 7703046091 Mercedes Benz: A0039944245	100	001949
02	Speed nut	M 5	0.8 mm	17 x 15 mm	Universal	100	879100
03	Speed nut	M 5	0.8 mm	20 x 14 mm	Fiat-Group: 60811807 / 46473571	100	144498
04	Speed nut	M 5	0.8 mm	22 x 15 mm	Ford: E824115S74 Mercedes Benz: A0029942045	100	879118
05	Speed nut	M 6	1 mm	15.5 x 12 mm	Alfa Romeo:	100	153997
06	Speed nut	M 6	1 mm	18.5 x 16.5 mm	Fiat-Group: 7740882 Fiat-Group: 60808479	100	106738
07	Speed nut	M 6	1 mm	23.5 x 13 mm	VW: N90168602 / N90168604 Audi: N90168602 / N90168604 Volvo: 949921	100	154915
08	Speed nut	M 6	1 mm	23.6 x 16 mm	Renault: 7703046048 Ford: E824116S74 Mercedes Benz: A0029942145	100	879126
09	Speed nut	M 6	1 mm	24 x 16 mm	Ford: 6740771 / 4852244	100	879096
10	Speed nut	M 6	1 mm	24 x 16 mm	Renault: 7703046034 BMW: 51127070202	25	100640
11	Speed nut	M 6	1 mm	24 x 16.5 mm	Fiat: 7731367	100	001959
12	Speed nut	M 6	1 mm	24.5 x 16 mm	Renault: 7703046048 Ford: E824116S74 Mercedes Benz: A0029942145	25	144492
13	Speed nut	M 8	1.25 mm	24.5 x 18 mm	Renault: 7703046020 Ford: 6103426	100	154919
14	Speed nut	M 8	1.25 mm	27.5 x 18 mm	BMW: 61331459545 Ford: 6103426 Mercedes Benz: A0039941545	50	879134
15	Speed nut	M 8	1.25 mm	28 x 18 mm	Ford: 6089805 Mercedes Benz: A0019905891	100	879142

AGR: 16.111 / 16.150 / 16.155

INTERNAL/Approved (2019-03-22 14:56:11)

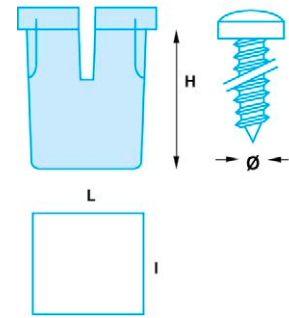
1

Spread nuts

- Due to unilateral mounting, a nut locking function is created
- Head can serve as spacer
- Firm fit and high holding force
- Reusable

Application Area

- Fixing of sheets etc. by means of screws



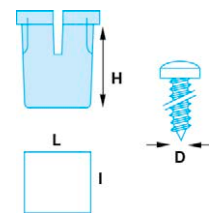
Hints

- Art.-No. 155274 (5.8/8x8) for HILO screws



Vehicle Clips

1





017459 621014 245691 879240 106150 733431 114917 097801 144522 100637 017460 621004 092432 144658
01 02 03 04 05 06 07 08 09 10 11 12 13



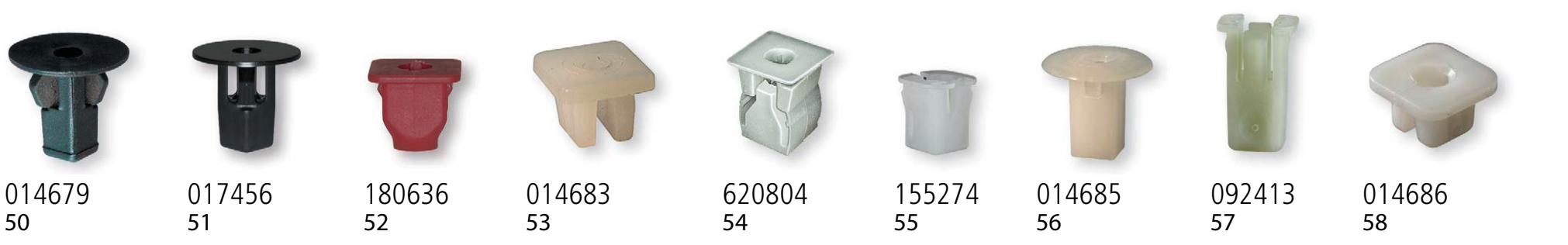
144535 180663 014677 014676 245692 153892 153891 155066 149462 106209 106218 011495 200696 154951
14 15 16 17 18 19 20 21 22 23 24 25 26 27



017458 200697 733733 200698 097982 154952 144653 153894 144523 001975 200695 002282
28 29 30 31 32 33 34 35 36 37 38



155301 164488 106723 017461 014682 106169 732796 144654 200699 151683 153920
39 40 41 42 43 44 45 46 47 48 49



014679 017456 180636 014683 620804 155274 014685 092413 014686
50 51 52 53 54 55 56 57 58

INTERNAL/Approved (2019-03-22 14:57:48)

Vehicle Clips

No.	Title	Screw hole Ø	Installation hole, squared	Manufacturer and OEM	PU Piece	Article No.
	PLUG-IN NUT TOYOTA 9018904011			Toyota: 9018904011	50	017459
01	Spread nut	2.9 mm	5 x 5 mm	Lancia: 14115580	50	621014
02	Spread nut	3 mm	7.5 x 7.5 mm	VAG: N10318001 Porsche: N10318001	50	245691
03	Spread nut	3.5 mm	6.9 x 6.6 mm	BMW: 51135680113	100	879240
04	Spread nut	3.5 - 4.2 mm	7 x 7 mm	IVECO: 17894580 Lancia: 14201980 Fiat: 14201980 Alfa Romeo: 14201980	50	106150
05	Spread nut	3.5 mm	7 x 6.2 mm	Fiat: 14215480	25/50	733431
06	Spread nut	3.5 mm	8 x 8 mm	Fiat: 14202782	50	114917
07	Spread nut	3.5 mm	8 x 8 mm	Audi: 321813998A VW: 321813998A	25	097801
08	Spread nut	3.5 - 4.8 mm	11 x 11 mm	Fiat-Group: 4264257 IVECO: 14215282	50	144522
09	Spread nut	3.5 mm	13.6 x 7.2 mm	Renault: 770308115 Fiat-Group: 9621824880 PSA: 6997.96 / 9621824880 IVECO: 500389689	25	100637
10	Spread nut	3.9 mm	6.6 x 7 mm	Toyota: 9018904014 Honda: 62316679003	50	017460
11	Spread nut	3.9 - 4.2 mm	7 x 7 mm	Fiat-Group: 5757553	50	621004
12	Spread nut	3.9 - 4.2 mm	7 x 7 mm	Opel / Vauxhall: 2240802 / 90230846 Audi: 811807577F VW: 811807577F	25	092432
13	Spread nut	3.9 - 4.2 mm	7 x 7 mm	Ford: 6695013	50	144658
14	Spread nut	3.9 mm	7 x 15 mm	Fiat: 7754387 Fiat: 7754387	50	144535
15	Spread nut	3.9 - 4.8 mm	7 x 7 mm	BMW: 63171367868 Mercedes Benz: A0009881625/A6399880185	50	180663
16	Spread nut	4 mm	6.7 x 6.5 mm	Honda: 75522611000 Mazda: 999100412 Nissan: 96706B0700	25	014677
17	Spread nut	4 mm	7 x 7 mm	Honda: 906726718110M / 90674SB0000 Hyundai: 9751922000 KIA: 9751922000	50	014676
18	Spread nut	4 mm	7.5 x 7.5 mm	VAG: N10507301	50	245692

No.	Title	Screw hole Ø	Installation hole, squared	Manufacturer and OEM	PU Piece	Article No.
19	Spread nut	4.2 mm	7 x 7 mm	VW: 6N0809966A	50	153892
20	Spread nut	4.2 mm	7 x 7 mm	VW: 165827592	50	153891
21	Spread nut	4.2 - 4.8 mm	7 x 7 mm	Fiat: 14115980 Alfa Romeo: 14115980 Lancia: 14115980 Citroen: 6992G2 Peugeot: 6992G2 Volkswagen: 155809966	50	155066
22	Spread nut	4.2 - 4.8 mm	7 x 7 mm	Fiat: 14115960 Alfa Romeo: 14115960 Lancia: 14115960 Citroen: Citroen:	100	149462
23	Spread nut	4.2 - 4.8 mm	7 x 7 mm	Renault: 7703081086 PSA: 6987.A7	50	106209
24	Spread nut	4.2 mm	7 x 12.5 mm	Alfa Romeo: 7543023 / 7677856 Fiat: 7543023 / 7677856 / 9759904480 Renault: 7703081019 Lancia: 9759904480 PSA: 6992.80	50	106218
25	Spread nut	4.2 mm	7 x 7.5 mm	VW: 811807577C Audi: 811807577C	50	011495
26	Spread nut	4.2 mm	7.1 x 7.1 mm	VAG: 441035555 PSA: 9629041880 Mercedes Benz: A0009886725	50	200696
27	Spread nut	4.2 mm	7.2 x 7.2 mm	Renault:	50	154951
28	Spread nut	4.2 - 4.5 mm	8.5 x 8.5 mm	Toyota: 9018906010	50	017458
29	Spread nut	4.2 mm	8.5 x 8.5 mm	Nissan: 0128100831	50	200697
30	Spread nut	4.2 mm	9 x 9 mm	Fiat-Group: 14202883 IVECO: 17891880	50	733733
31	Spread nut	4.2 mm	9 x 8.4 mm	Honda: 75521611000 Mazda: 999100601	25	200698
32	Spread nut	4.2 mm	11 x 8 mm	Ford: 6150260	25	097982
33	Spread nut	4.5 mm	8.25 x 8.25 mm	Renault: 7703081184	25	154952
34	Spread nut	4.8 mm	7 x 7 mm	VW: 867809966	50	144653
35	Spread nut	4.8 mm	7.5 x 7.5 mm	VW: N90821401 Audi: N90821401	50	153894

INTERNAL/Approved (2019-03-22 14:59:19)

Vehicle Clips

1

No.	Title	Screw hole Ø	Installation hole, squared	Manufacturer and OEM	PU Piece	Article No.
	Spread nut	4.8 mm	7.5 x 7.5 mm	Fiat: 7630854	50	144523
36	Spread nut	4.8 mm	7.5 x 7.5 mm	VW: N90833801 Audi: N90833801	50	001975
37	Spread nut	4.8 mm	7.8 x 7.8 mm	Ford: 1073073 / W706006S300	50	200695
38	Spread nut	4.8 mm	8 x 8 mm	VW: N10516801 Audi: N10516801	25	002282
39	Spread nut	4.8 mm	8 x 8 mm	VW: 357827998	50	155301
40	Spread nut	4.8 mm	8 x 8 mm	Fiat: 46558337 Lancia: 46558337	50	164488
41	Spread nut	4.8 mm	8 x 8 mm	Fiat-Group: 46408953 /	50	106723
42	Spread nut	4.8 - 5 mm	8.5 x 8.5 mm	Nissan: 0128100231 / 96706U0100 Toyota: 9018906001	50	017461
43	Spread nut	4.8 mm	9 x 9 mm	Toyota: 9018906006	50	014682
44	Spread nut	4.8 mm	9 x 9 mm	Ford: 1007902 / 1659672	50	106169
45	Spread nut	4.8 mm	10 x 10 mm	Fiat: 14202985 Alfa Romeo: 14202985 Lancia: 14202985	50	732796
46	Spread nut	4.8 - 5.5 mm	10 x 13.5 mm	Ford: 6078784	50	144654
47	Spread nut	5 mm	10 x 10 mm	VAG: N10621301	25	200699
48	Spread nut	5.5 mm	8 x 10 mm	Opel / Vauxhall: 1406984 / 90482706	25	151683
49	Spread nut	5.5 mm	8 x 8 mm	VW: 357868143	50	153920
50	Spread nut	5.5 mm	8.5 x 8.5 mm	Toyota: 9018906013	50	014679
51	Spread nut	5.5 mm	8.75 x 8.75 mm	Toyota: 9018906013 Daihatsu: 9018906013 Subaru: 9018906013	50	017456
52	Spread nut	5.5 mm	10.8 x 10.8 mm	Fiat: 46837757	50	180636
53	Spread nut	5.5 mm	11 x 9 mm	Honda: 906566716300 Honda: 906566711631	50	014683
54	Spread nut	5.5 mm	11 x 11 mm	Fiat: 14203080 Alfa Romeo: 14203080 Lancia: 14203080	50	620804
55	Spread nut	5.8 mm	8 x 8 mm	Opel / Vauxhall: 1216957 / 90230960	50	155274
56	Spread nut	6.3 mm	8.5 x 8.5 mm	Toyota: 9018906005	50	014685
57	Spread nut	6.3 mm	9.5 x 9.5 mm	Ford: 6549354	25	092413

INTERNAL/Approved (2019-03-22 14:59:45)

Nuts, plastic

- Possibility for dismantling by unscrewing the nut
- Easy assembly by pushing the bolt (only with coarse thread bolts)

Application Area

- Mounting on threads or thread bolts

Hints

- Art.-No. 100631 (4,2x16) and 1711 (4,8x24) are suitable for coarse thread bolts





INTERNAL/Approved (2019-03-22 15:01:48)

Vehicle Clips

1



180654
01



100631
02



144558
03



155279
04



001711
05



097820
06



144685
07



245683
08

No.	Title	For Screw Ø	Ø collar	Wrench Width	Manufacturer and OEM	PU Piece	Article No.
01	Nut	4 mm	30 mm	10 mm	VAG: WHT000713	50	180654
02	Nut	4.2 mm	16 mm	10 mm	BMW: 16131176747 Mercedes Benz: A0039900251	25	100631
03	Nut	4.4 mm	21 mm	10 mm	VW: 8E0825265C / N90474001 Audi: 8E0825265C / N90474001	50	144558
04	Nut	4.5 mm	16 mm	10 mm	Opel / Vauxhall: 90377951 / 171953	50	155279
05	Nut	4.8 mm	24 mm	10 mm	Mercedes Benz: A2019900050 BMW: 51711958025	25	001711
06	Nut	5 mm	16 mm	10 mm	Opel / Vauxhall: 90413589 / 180942	25	097820
07	Nut	5 mm	18.5 mm	10 mm	VW: 171201969 Audi: 171201969	50	144685
08	Nut	5 mm	22 mm	10 mm	VAG: WHT003207 Fiat-Group: 50504884 Ford: 1580312 / W303562 Mercedes Benz: A0029905350 Porsche: 99904900740	50	245683

AGR: 16.102 / 16.103 / 16.104 / 16.155

Speed nuts, plastic

- Protection from contact corrosion, since there is no direct connection from the bolting to the component

Application Area

- Fixing of sheets by means of a screw

Processing Information

- Screws, which are suitable for plastic, should be used
- For optimum assembly conditions, the screw thread should be in the engagement over the total length



014662
01



097823
02



180642
03



097819
04

No.	Title	For Screw Ø	Length x width	Manufacturer and OEM	PU Piece	Article No.
01	WEEL ARCH CLIP 53879-14010			Toyota: 5387914010	25	014662
02	Speed nut	4.1 mm	16 x 12 mm	Opel / Vauxhall: 1235884 / 24417039	25	097823
03	Speed nut	4.8 mm	26 x 20 mm	Toyota: 5387916010	25	180642
04	Speed nut	5 mm	20 x 12 mm	Opel / Vauxhall: 1404969	25	097819

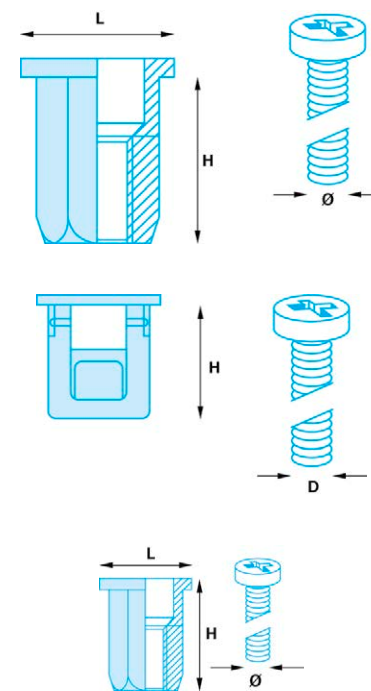
AGR: 16.103 / 16.130

INTERNAL/Approved (2019-03-22 15:02:26)

1 Blind rivet nuts

Application Area

- Fixing of attachments by means of metric threads in sheets, etc.



No.	Title	Thread	Length	Ø head	Manufacturer and OEM	PU Piece	Article No.
01	Blind rivet nut	M 5	12.9 mm	10 mm	Fiat-Group: 15624311	50	245128
02	Blind rivet nut	M 5	13 mm	10 mm	Fiat-Group: 15624311	50	144455
03	Blind rivet nut	M 5	24 mm	11 mm	Ford: 6815611	25	097983
04	Blind rivet nut	M 6	14.5 mm	13 mm	Peugeot: 9600400280 Fiat-Group: 15624411	50	144448
05	Blind rivet nut	M 6	14.5 mm	18 mm	Lancia: 46417286 Fiat: 46417286	25	144454
06	Blind rivet nut	M 6	15 mm	13 mm	Fiat: 15179511 Alfa Romeo: 15179511 Lancia: 15179511	50	144451
07	Blind rivet nut	M 6	16 mm	10 mm	Fiat: 7781538	50	106717
08	Blind rivet nut	M 6	17 mm	16 mm	Fiat-Group: 7677561	50	114911
09							
10							
11							

INTERNAL/Approved (2019-03-22 15:02:30)

No.	Title	Thread	Length	Ø head	Manufacturer and OEM	PU Piece	Article No.
09	Blind rivet nut	M 6	18.6 mm	16 mm	Audi: N90218401	50	144562
10	Blind rivet nut	M 6	27 mm	18 mm	Fiat-Group: 77665139	50	153937
11	Blind rivet nut	M 8	16 mm	16 mm	Fiat: 15624511 Alfa Romeo: 15624511 Lancia: 15624511	50	167463

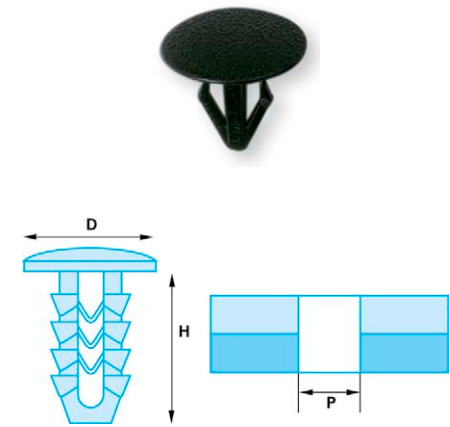
AGR: 16.101 / 16.150 / 16.155

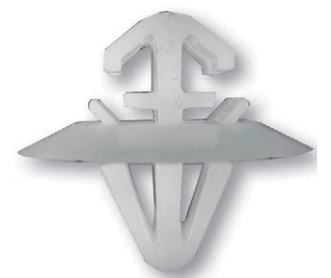
1

Cover plugs

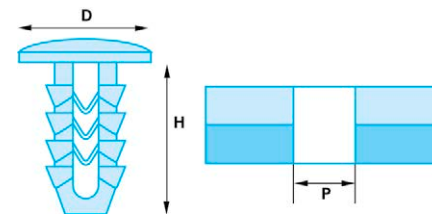
Application Area

- Fixing of sheets, boards, panels and other flat components
- Cover for bores and holes in sheets, etc.





1



017443
01



014698
02



155183
03



155184
04



155189
05



014701
06



017442
07



242144
08



155167
09



245624
10



106719
11



144485
12



114914
13



014704
14



144635
15



153946
16



620012
17



138139
18



154983
19



097815
20



153321
21



155188
22



332380
23



144490
24



732052
25



115817
26



144499
27



001966
28



014710
29



879177
30



153944
31



017445
32



017441
33



180647
34



014713
35



164463
36



106200
37



975795
38



879169
39



017440
40



245664
41



200664
42



106718
43



106215
44



733202
45



200663
46



106167
47



144651
48



234150
49



154978
50



732567
51



200666
52



164503
53



200658
54



245661
55



100642
56



155293
57



200656
58



975784
59



180659
60



200659
61



022726
62



092414
63



245663
64



081485
65

INTERNAL/Approved (2019-03-22 15:04:14)

Vehicle Clips

1



014708
66



155190
67



115816
68



153259
69



114922
70



155164
71



017444
72



154981
73



732656
74



153319
75



200661
76



014707
77



153343
78



155186
79



002327
80



144644
81



200662
82



144650
83



097816
84



115815
85



144484
86



144483
87



732605
88



200665
89



245660
90



001965
91



001967
92



155302
93

No.	Title	Installation hole, round	Length	Ø head	Manufacturer and OEM	PU Piece	Article No.
01	Cover plug	3.2 - 3.6 mm	9 mm	7.5 mm	Mazda: 992640321B	50	017443
02	Cover plug	4 mm	10 mm	10 mm	Mazda: 992640426	50	014698
03	Cover plug	4.7 mm	10 mm	12 mm	PSA: 6992K8/6999A3/6999T4 Fiat-Group: 9467047580/9605146380	50	155183
04	Cover plug	4.7 mm	14 mm	11.5 mm	Peugeot: 6992.07	50	155184
05	Cover plug	4.7 mm	14.7 mm	18 mm	Peugeot: 6995.56	25	155189
06	Cover plug	4.8 - 5 mm	11 mm	14 mm	Toyota: 904670616101	50	014701
07	Cover plug	5 mm	15 mm	14 mm	Mazda: 992640531B	50	017442
08	Cover plug	5 mm	18 mm	20 mm	PSA: Fiat-Group:	50	022726
09	Cover plug	5 - 7.4 mm	22 mm	18 mm	Ford: 1629082	25	092414
10	Cover plug	5.1 mm	9.4 mm	12 mm	PSA: 9025J8	50	245663
11	Cover plug	5.5 - 6 mm	12 mm	12 mm	Opel / Vauxhall: 2240861 / 90022049	50	081485
12	Cover plug	5.5 - 6.5 mm	15 mm	14 mm	VW: 82386320301C Audi: 82386320301C Ford: 1489595	50	242144
13	Cover plug	5.5 mm	18 mm	12 mm	Renault: 7903077167 Peugeot: 8326.N4 Citroen: 8326.N4	50	155167
14	Cover plug	5.7 - 5.9 mm	12 mm	12 mm	BMW: 51471840960	50	245624
15	Cover plug	6 mm	8.5 mm	13.8 mm	Alfa Romeo: 7768047 Fiat: 7768047	25	106719
16	Cover plug	6 mm	9.5 mm	12 mm	Fiat: 7537973 Alfa Romeo: 7537973 Lancia: 7537973	50	144485

INTERNAL/Approved (2019-03-22 15:05:02)

Vehicle Clips

1

No.	Title	Installation hole, round	Length	Ø head	Manufacturer and OEM	PU Piece	Article No.
17	Cover plug	6 mm	10 mm	14 mm	Fiat: 7677865	50	114914
18	Cover plug	6 mm	12.5 mm	13 mm	Toyota: 9046708011	50	014704
19	Cover plug	6 mm	16 mm	20 mm	Honda: 91606SE3003	50	014708
20	Cover plug	6.2 mm	10 mm	20 mm	PSA: 6995V6	25	155190
21	Cover plug	6.5 mm	12 mm	15 mm	Fiat: 4262041 Alfa Romeo: 4262041 Lancia: 4262041	50	115816
22	Cover plug	6.5 mm	12 mm	19 mm	Renault: 7703077068 PSA: 6999.T1 / 6992.C6	50	153259
23	Cover plug	6.5 mm	14 mm	20 mm	Renault: 7703077117	25	144635
24	Cover plug	6.5 mm	15 mm	18 mm	Fiat: 4484226 Lancia: 4484226	50	153946
25	Cover plug	6.5 mm	15 mm	20 mm	Fiat: 14591987	25/50	620012
26	Cover plug	6.5 mm	16 mm	14 mm	Opel / Vauxhall: 2346824 / 90283614	50	138139
27	Cover plug	6.5 mm	16 mm	20 mm	Renault: 7703077444	50	154983
28	Cover plug	6.5 - 6.2 mm	16 mm	23 mm	VW: 1H0819055B01C	25	097815
29	Cover plug	6.5 mm	16 mm	25 mm	Fiat-Group: 14592287 IVECO: 14592287	50	153321
30	Cover plug	6.5 mm	17 mm	15 mm	Fiat-Group: 4274360/14591787	50	114922
31	Cover plug	6.5 mm	17 mm	18 mm	PSA: 6992.95 / 6999.R2	25	155164
32	Cover plug	6.5 - 7 mm	17 mm	20 mm	Nissan: 0155300051	50	017444
33	Cover plug	6.5 mm	17.2 mm	12.5 mm	PSA: 6995.15 Renault: 7703077066	50	154981
34	Cover plug	6.5 mm	18 mm	20 mm	Citroen: 6966.40 Peugeot: 724708	50	155188
35	Cover plug	6.5 mm	19 mm	18 mm	Fiat: 5757139 Alfa Romeo: 5757139 Lancia: 5757139 Lancia: 5757139	1/50	332380
36	Cover plug	6.5 mm	21 mm	22 mm	Fiat: 718202808	50	144490
37	Cover plug	6.5 mm	22.5 mm	20 mm	Fiat: 14592387 Alfa Romeo: 14592387 Lancia: 14592387	50	732052
38	Cover plug	6.5 mm	23 mm	15 mm	Fiat-Group: 14591887	50	115817
39	Cover plug	6.5 mm	25 mm	20 mm	Fiat-Group: 14592087 / 735284886	50	144499

INTERNAL/Approved (2019-03-22 15:05:45)

No.	Title	Installation hole, round	Length	Ø head	Manufacturer and OEM	PU Piece	Article No.
40	Cover plug	6.5 mm	25 mm	20 mm	Fiat: 14592086	50	001966
41	Cover plug	6.5 mm	28 mm	18 mm	Fiat: 82356905 Alfa Romeo: 82356905 Lancia: 82356905	25	732656
42	Cover plug	6.5 mm	29 mm	20 mm	Fiat: 5986683	25	153319
43	Cover plug	6.7 mm	18.5 mm	21 mm	Renault: 8200939873	25	200661
44	Cover plug	6.8 - 7 mm	16 mm	14 mm	Toyota: 904670906901	25	014707
45	Cover plug	7 mm	12 mm	25 mm	Toyota: 9046709050	50	014710
46	Cover plug	7 mm	13 mm	14 mm		50	879177
47	Cover plug	7 mm	14 mm	20 mm	Fiat-Group: 735266957	50	153944
48	Cover plug	7 mm	15.5 mm	13 mm	Nissan: 0155300172	25	017445
49	Cover plug	7 - 7.2 mm	16.5 mm	13 mm	Honda: 90672671003	50	017441
50	Cover plug	7 mm	17 mm	16 mm	Fiat: 712113631/735261689	50	180647
51	Cover plug	7 mm	18 mm	30 mm	Toyota: 904670900801	50	014713
52	Cover plug	7.2 mm	12.2 mm	14.3 mm	Ford: 1443038	50	153343
53	Cover plug	7.2 - 7.6 mm	18 mm	14 mm	PSA: 8964.57 Opel / Vauxhall: 2338955 / 90431553	50/1000	155186
54	Cover plug	7.5 mm	15.5 mm	18 mm	Chevrolet, Daewoo: 94530432 PSA: 7518.C0 Mercedes Benz, Smart: A0009881128 Opel / Vauxhall: 4805252	50	002327
55	Cover plug	7.5 mm	20 mm	20 mm	VW: N90201601H / N90201601 Audi: N90201601H / N90201601 BMW: 51471904317 Ford: 1079129 / 6998849 Mercedes Benz: A0009880328 Opel / Vauxhall: 2207713 / 90082231	50	144644
56	Cover plug	7.5 mm	22 mm	18 mm	Fiat: 51701542	50	164463
57	Cover plug	7.5 mm	24 mm	21 mm	Peugeot: 6983.17 Citroen: 6983.17	25	106200
58	Cover plug	7.8 - 8 mm	18 mm	14 mm	VW: 80186729901C/801867299041	50	975795
59	Cover plug	7.9 - 8.1 mm	12.5 mm	20 mm	VAG: 191867199 / 19186719901C Mercedes Benz: A0009974686 Opel / Vauxhall:	50/100	879169
60	Cover plug	7.9 - 8.1 mm	14 mm	18 mm	Honda: 91606SE30030	50	017440
61	Cover plug	8 mm	10 mm	20 mm	Mercedes Benz: A0019880325	25	245664

INTERNAL/Approved (2019-03-22 15:06:22)

Vehicle Clips

No.	Title	Installation hole, round	Length	Ø head	Manufacturer and OEM	PU Piece	Article No.
62	Cover plug	8 - 8 mm	13 mm	20 mm	Honda: 90682SEA003	25	200664
63	Cover plug	8 mm	15 mm	30 mm	Toyota: 9046708081	25	200662
64	Cover plug	8 mm	16 mm	18 mm	Ford: 1018433	50	144650
65	Cover plug	8 - 7.8 mm	16 mm	28 mm	Opel / Vauxhall: 1162484 / 90040750	25	097816
66	Cover plug	8 mm	17 mm	16 mm	Fiat-Group: 4292906	50	115815
67	Cover plug	8 - 9 mm	17.5 mm	22 mm	Fiat-Group: 1301019650/1301019808	25	106718
68	Cover plug	8 mm	22.5 mm	35 mm	Renault: 7703077225	25	106215
69	Cover plug	8 mm	24 mm	18 mm	Autobianchi: 82356460 Lancia: 82356460	50	733202
70	Cover plug	8.2 mm	20 mm	16 mm	Renault: 7703077153	25	200663
71	Cover plug	8.4 - 8.6 mm	11.7 mm	25 mm	Ford: 6678518/6448410 VAG: N90710301	25	106167
72	Cover plug	8.4 - 8.62 mm	15.6 mm	18 mm	Ford: 1629279/6725950	50	144651
73	Cover plug	8.5 - 8.4 mm	14 mm	17 mm	BMW: 51488181420	50	234150
74	Cover plug	8.5 mm	17 mm	24 mm	Fiat-Group: 14593487 / 82450771	50	144484
75	Cover plug	9 mm	18 mm	20 mm	Alfa Romeo: 60503610 Fiat: 60503610	50	144483
76	Cover plug	9 mm	18.5 mm	20 mm	Fiat: 4483091 Alfa Romeo: 4483091 Lancia: 4483091	50	732605
77	Cover plug	9 mm	22 mm	22 mm	Fiat-Group: 14592187	25	200665
78	Cover plug	9 mm	22 mm	35 mm	Renault: 7703077225	25	154978
79	Cover plug	9 mm	24 mm	22 mm	Fiat: 14590887 Alfa Romeo: 14590887	50	732567
80	Cover plug	9 mm	25 mm	24 mm	Fiat-Group: 14568887	25	200666
81	Cover plug	9 mm	25 mm	30 mm	Fiat: 735266009 / 1302812670	50	164503
82	Cover plug	10 mm	8.5 mm	14 mm	VAG: 6K6863988	25	200658
83	Cover plug	10 - 20 mm	14 mm	30 mm	Ford: 1251866 / W709688	25	245661
84	Cover plug	10.2 - 10.7 mm	21.3 mm	35 mm	Renault: 7703077435	25	100642
85	Cover plug	10.5 - 10.7 mm	16.2 mm	23 mm	VAG: 1H086719901C	50	245660
86	Cover plug	10.5 mm	21 mm	40 mm	Renault:	25	001965
87	Cover plug	11.4 mm	15 mm	16 mm	Renault: 7703077107	25	001967
88	Cover plug	12 mm	14 mm	20 mm	VW: 1H586384901C	25	155302

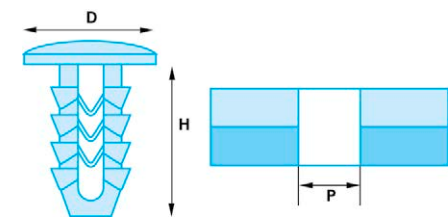
No.	Title	Installation hole, round	Length	Ø head	Manufacturer and OEM	PU Piece	Article No.
89	Cover plug	12 mm	14 mm	24 mm	VW: 867863849A01C	25	155293
90	Cover plug	16 mm	4.2 mm	22 mm	VAG: 3B0837111B41	50	200656
91	Cover plug	18 mm	14.5 mm	35 mm	Fiat: 7788400	1/25	975784
92	Cover plug	20 - 20.2 mm	24 mm	36 mm	VAG: 1J0863119	25	180659
93	Cover plug	22 - 22.5 mm	8 mm	28 mm	VAG: 893803593	25	200659

AGR: 16.100 / 16.101 / 16.102 / 16.103 / 16.104 / 16.110 / 16.111 / 16.120 / 16.130 / 16.131 / 16.132 / 16.133 / 16.155

Gasket clips

Application Area

- Fixing of bonnet, door and window seals



Vehicle Clips

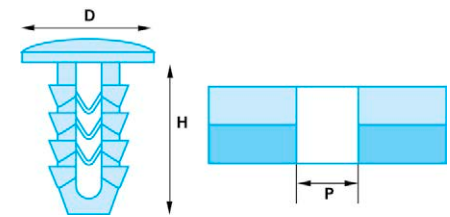
Processing Information

- Firstly, the clip head is put into the seal
- To fix the seal, the clip is then pressed into the hole

Hints

- Art.-No. 144569 (5.5x16.5) with spout





INTERNAL/Approved (2019-03-22 15:09:02)

Vehicle Clips

1



No.	Title	Installation hole, round	Length	Manufacturer and OEM	PU Piece	Article No.
01	BODY CLIP 91530-ST5-003			Honda: 91530ST5003	25	014668
02	Gasket clip	1.5 mm	16.5 mm	Opel / Vauxhall: 157979 / 90579619 VW: 1H0837719 Ford: 1065204	25	144569
03	Gasket clip	4 mm	7 mm	VW: 1H0823717	25	144646
04	Gasket clip	4.4 - 4.6 mm	7.5 mm	VAG: 1Z0837732A	50	200670
05	Gasket clip	4.5 - 9 mm	9 mm	VW: 251823717	50	144647
06	Gasket clip	4.9 - 5.1 mm	10.6 mm	Honda: 90664671003	25	014669
07	Gasket clip	5 - 6 mm	8.7 mm	Renault:	25	055093
08	Gasket clip	5 - 8 mm	9.4 mm	PSA: 699786	50	151714
09	Gasket clip	5.2 mm	11 mm	Renault: 7701044547 PSA: 6997.86 / 9619769080	25	154985
10	Gasket clip	5.3 - 5.5 mm	13.1 mm	VAG: 8E0837485D	25	245667
11	Gasket clip	5.4 - 5.6 mm	9.8 mm	VAG: 7H0837485	50	200671
12	Gasket clip	5.5 - 5.7 mm	9.5 mm	VAG: 3B0839723	50	245668
13	Gasket clip	5.6 mm	12.5 mm	Fiat: 5963287 Alfa Romeo: 60664070	50	334987

AGR: 16.104 / 16.110 / 16.111 / 16.120 / 16.132 / 16.155

Cable clamps

- Easy to mount and removable

Application Area

- Mounting of cable and wire guides, etc.



732893



154913



144536



144537



144538



732907

Title	Installation hole, round	Beam Ø	Manufacturer and OEM	PU Piece	Article No.
Cable clamp	4.5 mm	13 mm	Universal	1/25	732893
Cable clamp	6.3 - 6.7 mm	15 mm	Fiat: 14569980	1/25	154913
Cable clamp	6.5 mm	8 mm	Fiat: 14569680 Alfa Romeo: 14569680 Lancia: 14569680 Renault: 7703079070 PSA: 6995.45	25	144536
Cable clamp	6.5 mm	11 mm	Fiat: 14569880 Alfa Romeo: 14569880 Lancia: 14569880	25	144537
Cable clamp	6.5 - 6.7 mm	17 mm	Fiat: 14570080 Alfa Romeo: 14570080 Lancia: 14570080	1/25	144538
Cable clamp	6.5 - 6.7 mm	22 mm	Fiat: 14570280 Alfa Romeo: 14570280 Lancia: 14570280 Renault: 7703079094	25	732907

AGR: 16.120 / 16.155

INTERNAL/Approved (2019-03-22 15:10:17)

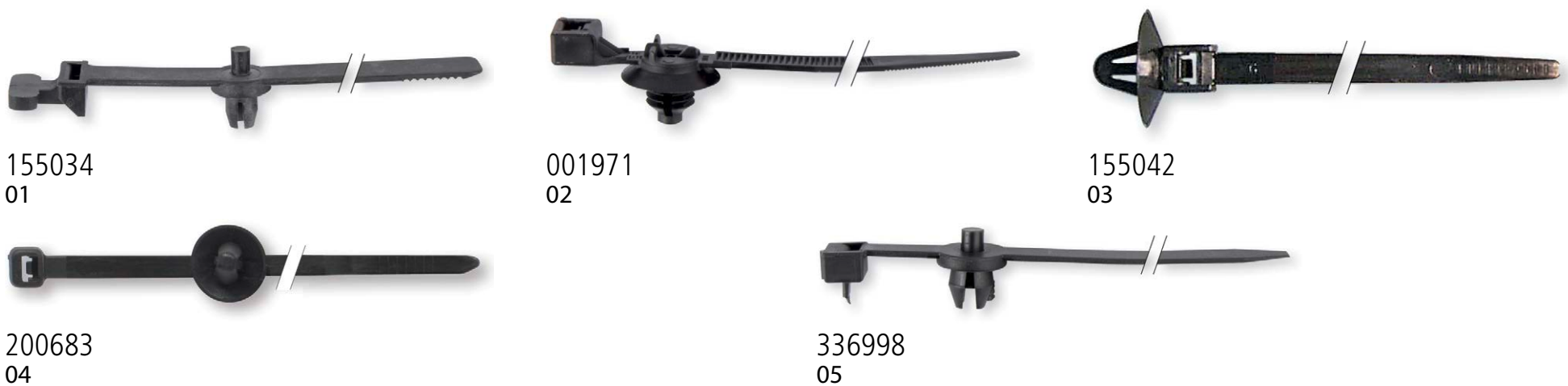
1 Cable ties with foot

Application Area

- Bundling and fixing of cables on sheets etc.

Processing Information

- First, the clip is pressed into the bore
- Subsequently, the cables are bound together with the cable band



No.	Title	Manufacturer and OEM	PU Piece	Article No.
01	Cable tie with fixation clip	Renault: 7703085020 PSA: 6980.47	50	155034
02	Cable tie with fixation clip	Ford: 1062880	50	001971
03	Cable tie with fixation clip	Audi: N90205501	50	155042
04	Cable tie with fixation clip	VAG: N90666101	50	200683
05	Cable tie with fixation clip	Fiat: 82426358 Alfa Romeo: 82426358 Lancia: 82426358	50	336998

AGR: 16.104 / 16.155

Screw rivets

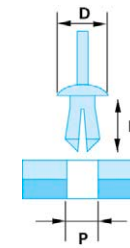
- Can be loosened

Application Area

- Fixing of panels, sheets, profiles, etc.

Processing Information

- For assembly, the screw is screwed with a screw driver into the rivet body
- For removal, the screw is unscrewed again



INTERNAL/Approved (2019-03-22 15:10:41)

Vehicle Clips

1

No.	Title	Installation hole, round	Length	Ø head	Manufacturer and OEM	PU Piece	Article No.
01	Screw rivet	4.5 - 5.3 mm	11.2 mm	12 mm	Mercedes Benz: A0009904092 / A1249900592/9051	50	173879
02	Screw rivet	5 - 5 mm	11 mm	12 mm	Mercedes Benz: A0009904492	25	200688
03	Screw rivet	6 mm	11 mm	14 mm	Honda: 90687SB0003	50	014691
04	Screw rivet	6 mm	11 mm	15 mm	Ford: 1629549 / 6743363	25	092434
05	Screw rivet	6 mm	11 mm	17 mm	Mercedes Benz: 1269900392 / A1239900592 BMW: Volvo: 3120254	50	173874
06	Screw rivet	6 mm	11.5 mm	12.8 mm	Fiat: 7556533 Alfa Romeo: 7556533 PSA:	50	155040
07	Screw rivet	6 mm	11.5 mm	18 mm	Honda: 90688SB0003	50	014687
08	Screw rivet	6 mm	13.5 mm	15 mm	Honda: 90683SA5003	50	017439
09	Screw rivet	6 mm	14 mm	15 mm	Toyota: 9046706198	50	014688
10	Screw rivet	6.2 mm	9 mm	9.8 mm	PSA: 9633388780 Renault: 7703072327	25	200691
11	Screw rivet	6.2 mm	9 mm	12 mm	Renault: 7703072236 PSA: 9699542280 / 6555.LE	50	154937
12	Screw rivet	6.2 - 6.4 mm	11.4 mm	12 mm	Fiat-Group: 51761163	50	245687
13	Screw rivet	6.2 - 7 mm	12.5 mm	15 mm	KIA: OK20150033 Mitsubishi: MB345544 Suzuki: 09409073055PK Toyota: 9046706017	25	200689
14	Screw rivet	6.2 mm	14.2 mm	12.1 mm	VAG: 8N8868307 PSA: 9630090980 Porsche: 99950761640 Renault: 7703072261	25	200690
15	Screw rivet	6.2 - 6.3 mm	15.2 mm	17 mm	Mercedes Benz: A0009904692	50	173878
16	Screw rivet	6.2 mm	17.2 mm	15.7 mm	Ford: 1007932	50	155251
17	Screw rivet	7 mm	10 mm	15 mm	Honda: 90684SA5003 Toyota: 5578552020	50	017438
18	Screw rivet	7 mm	11 mm	20 mm	BMW: 51481915964	50	245688
19	Screw rivet	7.5 - 8 mm	19 mm	20 mm	Mazda: NA0156145	25	200692
20	Screw rivet	7.9 - 8 mm	10 mm	20 mm	Honda: 90675SB0003 Toyota: 9046708145	50	017436
21	Screw rivet	7.9 - 8 mm	20 mm	19.8 mm	Nissan: 6385401A00/6384401A00	25	180214
22	Screw rivet	8 mm	11.6 mm	18.5 mm	VAG: 70186729901C	25	245690

INTERNAL/Approved (2019-03-22 15:11:19)

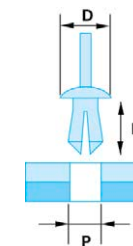
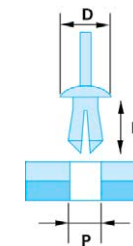
No.	Title	Installation hole, round	Length	Ø head	Manufacturer and OEM	PU Piece	Article No.
23	Screw rivet	8 - 8.2 mm	14 mm	20 mm	Mercedes Benz: A0009904892	50	200693
24	Screw rivet	8 mm	19 mm	18 mm	Fiat-Group: 82421028 IVECO: 504056662	50	106721
25	Screw rivet	8.3 - 8.3 mm	12 mm	18 mm	Nissan: 6384435F00	25	200694
26	Screw rivet	9 mm	27 mm	20 mm	Toyota: 9046709189	50	014689
27	Screw rivet	9.3 mm	13 mm	24 mm	VW: 1H0867199A / 1H0867199A01C	25	153986
28	Screw rivet	10 mm	19 mm	18 mm	Fiat-Group: 82426359	25	144469
29	Screw rivet	10 mm	25 mm	17 mm	Honda: 91502SP0003	25	014690
30	Screw rivet	10 mm	28 mm	15 mm	Toyota: 9046709093	50	014663
31	Screw rivet	11.2 mm	13 mm	16 mm	BMW: 51718229000	25	245686
32	Screw rivet	11.5 mm	14 mm	25 mm	Ford:	25	153995

AGR: 16.100 / 16.101 / 16.102 / 16.104 / 16.130 / 16.131 / 16.132 / 16.133 / 16.155

Spread rivets

Application Area

- Quick fixing of sheets, cardboards, plastics, etc.



144679 01 100644 079685 02 079286 03 144678 04 733970 05 619702 06 153984 07 155047 08 879150 09 733172 10 155035 11

INTERNAL/Approved (2019-03-22 15:11:34)

Vehicle Clips

1



No.	Title	Installation hole, round	Length	Ø head	Manufacturer and OEM	PU Piece	Article No.
01	Spread rivet	3.5 mm	6.5 mm	8 mm	Peugeot: 6972.07 / 9023.G0 Citroen: 6972.07 / 9023.G0 Audi: 113857117B VW: 113857117B	50	144679
	Spread rivet	4 mm	8.5 mm	8 mm	Renault: 7703072224 PSA: 9608351380 / 6972.24 Mercedes Benz: A0019902492	25	100644
02	Spread rivet	5 mm	7 mm	9 mm	Opel / Vauxhall: 167935 Mercedes Benz: 0009900392 / 0009902292 PSA: 7903072116 Renault: 7703072173 Volvo: 947098	50	079685
03	Spread rivet	5 mm	12 mm	10 mm	Renault: 7703072116 Mercedes Benz: A0009903492 BMW: 51161881149 Audi: N10259301 / 1L0853934 Seat: N10259301 / 1L0853934 Peugeot: 7903072170	100/250	079286
04	Spread rivet	5 mm	15 mm	10 mm	Renault: 7703072144	50	144678
05	Spread rivet	5.5 mm	10 mm	16 mm	Fiat-Group: 9621837480 IVECO: 500358569	50	733970

INTERNAL/Approved (2019-03-22 15:12:17)

No.	Title	Installation hole, round	Length	Ø head	Manufacturer and OEM	PU Piece	Article No.
06	Spread rivet	5.5 mm	11 mm	16 mm	Opel / Vauxhall: 2317703 / 90116376 VW: N10219501 / N10219502 Mercedes Benz: A0009905592 Ford: 1009164 IVECO: 500355891 Volvo: 3923475	50	619702
07	Spread rivet	5.5 mm	12 mm	9.5 mm	Alfa Romeo: 51722681 PSA:	25	153984
08	Spread rivet	5.5 mm	15 mm	10 mm	Renault: 77073072116 PSA: 6972.10	50	155047
09	0406 RIVETS PL WHI	6 mm	10 mm	10 mm	Audi, Seat, Skoda, VW: N0385011 Mercedes Benz, Smart: A0009902592	100	879150
10	Spread rivet	6 mm	10 mm	11 mm	Fiat: 5962559 Lancia: 5962559	50	733172
11	Spread rivet	6 mm	10 mm	13 mm	PSA: 6972.02 / 6973.46	50	155035
12	Spread rivet	6 mm	10 mm	13 mm	Renault:	50	144677
13	Spread rivet	6 mm	11.5 mm	10 mm	Opel / Vauxhall: 1719242 / 90058826 Audi: N0385012 VW: N0385012 Renault: 7703072172	50	151685
	Spread rivet	6 - 6.2 mm	14.5 mm	16 mm	Mercedes Benz: A0009904592 Volvo: 1268176	25	200711
14	Spread rivet	6 mm	15 mm	20 mm	BMW: 51111944537	50	151707
	Spread rivet	6.2 mm	10 mm	17.5 mm	Renault: 7703072352	25	200706
15	Spread rivet	6.5 mm	12 mm	11 mm	Alfa Romeo: 111960	25	733997
16	Spread rivet	6.5 mm	12 mm	15 mm	Fiat-Group: 5988006	50	144462
17	Spread rivet	6.5 - 6.7 mm	15 mm	20 mm	BMW: 51481884779	50	200707
	Spread rivet	6.6 - 6.8 mm	8 mm	15 mm	Mitsubishi: MB476821 Toyota: 9046707041	25	200708
18	Spread rivet	7 mm	16.5 mm	18 mm	VW: 171885767 Mercedes Benz: A0019944145	50	153925
19	Spread rivet	7.9 mm	23.5 mm	20.1 mm	Audi: 8L0807300	25	167466
20	Spread rivet	8 mm	11 mm	12.5 mm	VW: N0385501 Audi: N0385501 Ford: Mercedes Benz: A1239900292 /	50	242179
21	Spread rivet	8 mm	11 mm	16 mm	Daewoo: 94530507	50	014695

INTERNAL/Approved (2019-03-22 15:12:44)

Vehicle Clips

1

No.	Title	Installation hole, round	Length	Ø head	Manufacturer and OEM	PU Piece	Article No.
22	Spread rivet	8 mm	11.5 mm	16 mm	Ford: 1104880 Opel / Vauxhall: 1719245 VW: 16186729901C	50	144662
23	Spread rivet	8 mm	12 mm	16 mm	Audi: 16186729901C / N038549101C Mercedes Benz: A0009902992 VW: 16186729901C / N038549101C Citroen: BMW: 51471916670 Ford: 1104880 / E844052S Opel / Vauxhall: 1104880 / 90087290	50	017297
24	Spread rivet	8 mm	13 mm	16 mm	Fiat: 7600779 Lancia: 7600779 Alfa Romeo: 7600779	50	144461
	Spread rivet	8 mm	13 mm	22 mm	Renault: 7703072502 VW: N90229301 Audi: N90229301	25	100643
25	Spread rivet	8 mm	16 mm	13 mm	Mercedes Benz: 0009903792 Seat: N10032301 Opel / Vauxhall: 1104881 / 90356928	50	173872
26	Spread rivet	8.1 - 8.3 mm	10.3 mm	20 mm	PSA: 7013J0/8211WV	25	116858
27	Spread rivet	8.5 mm	10 mm	16 mm	Opel / Vauxhall: 1719245 / 90138810 Alfa Romeo: 51751429 Fiat: 51751429 Daewoo: 94530507 Saab: 90138810	50	156892
28	Spread rivet	8.5 mm	13.5 mm	16 mm	PSA: 6973.34 / 6973.24 Audi: 161867299	50	153985
29	Spread rivet	8.5 mm	15 mm	19 mm	Opel / Vauxhall: 1104882 / 90450482 Mercedes Benz: A0019901692	25	097974

AGR: 16.100 / 16.102 / 16.103 / 16.104 / 16.110 / 16.111 / 16.140 / 16.155

Spread rivets with cap

Application Area

- Quick fixing of sheets, cardboards, plastics, etc.



200704 01 200703 02 245693 200705 03 097817 04 180657 097824 05 180658 155246 06 155247 07 200712 08



151676 09 151674 10 155083 11 245694 200709 12 180662 13 200710 14 014692 15 180664 16



200713 17 200714 18 180655 014694 19 180213 200715 20 014696 21 200716 22 155085 23



173873 24 043690 25 245696 26 055121 27 111925 28 001964 29 173875 30 097827 31 200718 32 200717 33



014697 34



200700 35



200701 36

INTERNAL/Approved (2019-03-22 15:13:32)

Vehicle Clips

1

No.	Title	Installation hole, round	Length	Ø head	Manufacturer and OEM	PU Piece	Article No.
01	Spread rivet	3.25 - 6.75 mm	17.5 mm	18 mm	Ford: 4855809	25	200704
02	Spread rivet	4.55 - 5.15 mm	11.5 mm	15 mm	PSA: Z000327504 Mercedes Benz: A0019901392	25	200703
	Spread rivet	5 - 5.2 mm	11 mm	10 mm	VAG: N90536901	50	245693
03	Spread rivet	5.3 - 5.5 mm	9.5 mm	12 mm	BMW: 51711928946	50	200705
04	Spread rivet	5.5 mm	20 mm	14.5 mm	Opel / Vauxhall: 1400804 / 90414659	25	097817
	Spread rivet	5.9 - 6 mm	18.6 mm	16 mm	Mercedes Benz: A1249900492	50	180657
05	Spread rivet	6 mm	10.5 mm	16 mm	Opel / Vauxhall: 1406925 / 9130754	25	097824
	Spread rivet	6 mm	12.7 mm	14 mm	Toyota: 9046706133C0	25	180658
06	Spread rivet	6 mm	15 mm	15 mm	BMW: 51111908077 VW: N90359101 Mercedes Benz: A0009905492 / 9051	50	155246
07	Spread rivet	6 - 6.2 mm	17 mm	20 mm	BMW: 51118174185	50	155247
08	Spread rivet	6 mm	18 mm	17.8 mm	Mazda: B46768AC3	25	200712
09	Spread rivet	6 mm	20 mm	15 mm	BMW: 51111964186	50	151676
10	Spread rivet	6 mm	20 mm	20 mm	Opel / Vauxhall: 1400806 / 90508809	50	151674
11	Spread rivet	6.5 mm	14 mm	22 mm	Peugeot: 6997.83 Citroen: 6997.83 Fiat: 9621385880 Lancia: 9621385880	50	155083
	Spread rivet	6.6 mm	9 mm	20 mm	BMW: 51481938725	50	245694
12	Spread rivet	6.9 - 7 mm	7 mm	18 mm	Toyota: 5387960010	25	200709
13	Spread rivet	6.9 - 7 mm	8 mm	18 mm	PSA: 6822N2 Toyota: 9046707201	25	180662
14	Spread rivet	6.9 - 7 mm	8 mm	18 mm	Toyota: 9046710183 / 9046707183	25	200710
15	Spread rivet	7 mm	8.5 mm	20 mm	Toyota: 9046707166	50	014692
16	Spread rivet	7 mm	10 mm	20 mm	Fiat-Group: 71741883 Subaru: 0940907332 Suzuki: 0940907332000 Toyota: 9046707164 Honda:	25	180664
17	Spread rivet	7.8 - 8.8 mm	12.3 mm	17 mm	VAG: N10583501 BMW: 51498166702 PSA: 9640855880	50	200713
18	Spread rivet	7.8 - 8 mm	12.8 mm	20 mm	Ford: 4327144 Mazda: BC1D56145	50	200714

INTERNAL/Approved (2019-03-22 15:14:29)

No.	Title	Installation hole, round	Length	Ø head	Manufacturer and OEM	PU Piece	Article No.
	Spread rivet	7.8 - 8.8 mm	13 mm	17 mm	BMW: 51498237075 Mini: 51498237075	50	180655
19	Spread rivet	7.9 - 8 mm	11 mm	20 mm	Honda: 91501504003/91512S04003	25	014694
	Spread rivet	8 - 8.2 mm	8.9 mm	20 mm	Nissan: 0155309321 Mitsubishi: MR328954	25	180213
20	Spread rivet	8 mm	9.1 mm	20 mm	VAG: 4D0807300B Mercedes Benz: A0009907892	50	200715
21	Spread rivet	8 mm	9.9 mm	18 mm	Toyota: 9046708185 PSA: 6822N3 Nissan: 0155309611	25	014696
22	Spread rivet	8 mm	11 mm	15 mm	VAG: N91141501 BMW: 17111712963	50	200716
23	Spread rivet	8 mm	11 mm	20 mm	PSA: 7813.24 Mercedes Benz: 1239900292 / A1239900292	50	155085
24	Spread rivet	8 mm	14 mm	15 mm	BMW: 51471911992	50	173873
25	Spread rivet	8 mm	14 mm	15 mm	BMW: 51471911992 Mercedes Benz: A2019900292 / 9051 Volvo: 30820141 Mitsubishi: M820141	50	043690
26	Spread rivet	8 mm	14 mm	16 mm	Fiat-Group: 71741887	25	245696
27	Spread rivet	8 - 8.2 mm	14 mm	20 mm	PSA: 9642874480/6991X7 Porsche: 99950749740	50	055121
28	Spread rivet	8.05 - 8.3 mm	13 mm	20 mm	PSA: 9648975680/856553	25	111925
29	Spread rivet	8.2 mm	14 mm	18 mm	Renault: 7703072360 Nissan: 01515-00QAB	50	001964
30	Spread rivet	8.3 mm	10 mm	12 mm	Mercedes Benz: A1239900092	50	173875
31	Spread rivet	8.5 mm	21 mm	20 mm	VW: 8E0825267 Audi: 8E0825267 Ford: 1039463 Renault: 7701049271	25	097827
32	Spread rivet	9 mm	28 mm	18 mm	Toyota: 5216116010	25	200718
33	Spread rivet	9.7 - 10 mm	20 mm	17.8 mm	Nissan: 0155309241 Subaru: 57728AC090	25	200717
34	Spread rivet	10 - 10.2 mm	16 mm	18 mm	Honda: 91503SZ3003	25	014697
35	Spread rivet	10 mm	16.5 mm	19.5 mm	Honda: 91505S9A003	25	200700
36	Spread rivet	10 mm	19 mm	20 mm	Honda: 91503SZ5003	25	200701

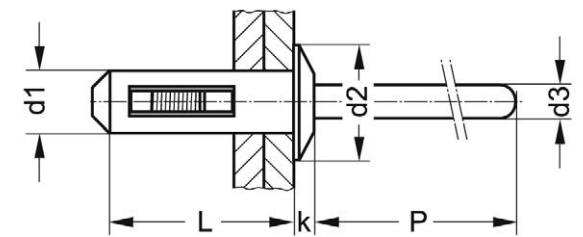
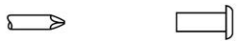
AGR: 16.100 / 16.101 / 16.102 / 16.103 / 16.104 / 16.110 / 16.130 / 16.131 / 16.132 / 16.133 / 16.155 / 99.000

INTERNAL/Approved (2019-03-22 15:14:49)

1 Rivets

Application Area

- Fixing of panels, sheets, profiles, etc.



158348
01



158248
02



092411
03



316741
04



245665
05



097986
06



144671
07



200684
08

100634
09



097987
10

No.	Title	Dimension	Ø head	Material	Manufacturer and OEM	PU Piece	Article No.
01	Blind rivet	Ø 2.4 x 8 mm	5.05 mm	Aluminium	VAG: Ford: 6028434 Opel / Vauxhall: 164361/90033713 Renault: 7703072177	50	158348
02	Blind rivet	Ø 3.2 x 6.5 mm	9.5 mm	Aluminium	VW: Audi:	50	158248
03	Blind rivet	Ø 4 x 14 mm	12 mm	Aluminium	Opel / Vauxhall: 1406528 / 90589346	25	092411
04	Blind rivet	Ø 4 x 14 mm	12 mm	Aluminium	VW: N90634901 Audi: N90634901	100	316741
05	Blind rivet	Ø 4.8 x 11 mm	9.8 mm	Steel	Ford: 1237076	50	245665
06	Blind rivet	Ø 4.8 x 20.5 mm	9.83 mm	Aluminium	Ford: 7000412 Alfa Romeo: 14415890 Fiat: 14415890	25	097986
07	Blind rivet	Ø 5 x 11 mm	20 mm	Aluminium	Renault: 7703072241	50	144671
08	Blind rivet	Ø 5 x 12 mm	11 mm	Plastic	BMW: 51711952019 Ford:	50	200684
09	Blind rivet	Ø 5.8 x 19.3 mm	22 mm	Plastic	BMW: 51717002953	25	100634
10	Blind rivet	Ø 6 x 21.3 mm	15.4 mm	Steel	Ford: 1071415 / 1229061	25	097987

AGR: 16.100 / 16.101 / 16.103 / 16.151 / 16.155

1 Interior trim clips

- The interior trim can be assembled and disassembled easily

Application Area

- Fixing of interior trims on door panels, etc.

Processing Information

- Firstly, the clip head is put into the seal
- To fix the seal, the clip is then pressed into the hole



INTERNAL/Approved (2019-03-22 15:15:51)



INTERNAL/Approved (2019-03-22 15:17:44)

Vehicle Clips

1

No.	Title	Installation hole, round	Length	Ø head	Manufacturer and OEM	PU Piece	Article No.
01	Internal trim clip				Fiat: Alfa Romeo: Lancia:	1/50	170437
02	Internal trim clip				Fiat: 82456516/82456515 Alfa Romeo: 82456516 Lancia: 82456516/82456515	25	144472
03	Internal trim clip				Fiat: 7739801 Alfa Romeo: 7739801 Lancia: 7739801	25	108385
04	Internal trim clip				VW: 357853585A	1/25	106229
05	Internal trim clip				Nissan: 155302903	25	016374
06	Internal trim clip	4 - 5.5 mm	14.5 mm	11.6 mm	Ford: 1020193	25	097980
07	Internal trim clip	5 mm	9.1 mm	5.4 mm	Ford: 1042065 / W702985S300	50	200675
08	Internal trim clip	5 mm	17.6 mm	12.6 mm	VW: 3B0867333 Seat: 3B0867333	25	001972
09	Internal trim clip	5.2 - 8.4 mm	15.3 mm	13.2 mm	Ford: 1038008	25	151697
10	Internal trim clip	6 mm	13.3 mm	15 mm	Ford: 1552662 / W709010S300	25	200676
11	Internal trim clip	6.5 mm	15.5 mm	16.5 mm	Peugeot: 7903077112 Citroen: 7903077112	1/25	144629
12	Internal trim clip	6.5 mm	16.3 mm	14 mm	Fiat: 46410400 Lancia: 46410400 Iveco: 500358567	25	114912
13	Internal trim clip	7.1 mm	15.4 mm	16.1 mm	Fiat: 14187980	25	155200
14	Internal trim clip	7.2 mm	11.5 mm	12.9 mm	Alfa Romeo: 14191280 Fiat: 14191280 Lancia: 82377183	25	732443
15	Internal trim clip	7.5 - 7.7 mm	12.7 mm	13 mm	Mercedes Benz: A0039884178	25	080306
16	Internal trim clip	7.6 mm	14.5 mm	12.5 mm	Renault: 7703077354	25	164466
17	Internal trim clip	7.8 mm	12.2 mm	10.3 mm	Peugeot: 856534	25	151715
18	Internal trim clip	7.8 - 8 mm	14.1 mm	12.5 mm	BMW: 7147145753	25	245673
19	Internal trim clip	7.8 - 8.1 mm	16.3 mm	13.2 mm	Mercedes Benz: A0009910498	25	245674
20	Internal trim clip	7.8 - 8 mm	16.4 mm	13.5 mm	VAG: 823867299	100	081841
21	Internal trim clip	7.8 - 8 mm	16.4 mm	13.5 mm	VW: 703867299 Audi: 703867299 Ford: 703867299	25	097804

INTERNAL/Approved (2019-03-22 15:18:53)

No.	Title	Installation hole, round	Length	Ø head	Manufacturer and OEM	PU Piece	Article No.
22	Internal trim clip	7.9 - 8 mm	13.2 mm	13 mm	VAG: 4D0867299A Mercedes Benz: A0059888278	50	200677
23	Internal trim clip	7.9 - 8 mm	13.2 mm	15 mm	BMW: 51411870718	25	155238
24	Internal trim clip	7.9 mm	14.8 mm	13.4 mm	PSA: 6992.82	25	106198
25	Internal trim clip	7.9 mm	16.4 mm	13.5 mm	VW: 171867299B Audi: 171867299B	25	097808
26	Internal trim clip	7.9 - 8 mm	16.4 mm	14.5 mm	BMW: 51411973500	25	100632
27	Internal trim clip	7.9 - 8 mm	16.6 mm	14.5 mm	Renault: 6001549265 BMW: 51437001491	25	055130
28	Internal trim clip	7.9 - 8 mm	16.6 mm	14.5 mm	BMW: 51418224768	25	245675
29	Internal trim clip	7.9 - 8 mm	16.8 mm	14.5 mm	BMW: 51418224781	25	245676
30	Internal trim clip	7.9 - 8 mm	17.5 mm	14.5 mm	BMW: 51418172050	25	245677
31	Internal trim clip	8 mm			VW: 1H0868243	1/25	106234
32	Internal trim clip	8 mm	11.2 mm	13.7 mm	Peugeot: 6992.14 Peugeot: 6992.14 Citroen: 6992.14	25	155171
33	Internal trim clip	8 mm	11.9 mm	13.7 mm	PSA: 6995A3 / 699636 Renault: 7703077111	25	106199
34	Internal trim clip	8 mm	12.8 mm	10 mm	PSA: 8565.40 Fiat: 0071737918 Renault: 7701049270 Fiat-Group: 0071737918	25	155196
35	Internal trim clip	8 mm	13.5 mm	13.5 mm	VAG: 7H0843514 / 7E0843514	25	245681
36	Internal trim clip	8 - 8.2 mm	13.6 mm	12.5 mm	VW: 171807249A Audi: 171807249A	25	975790
37	Internal trim clip	8 mm	14 mm	10.8 mm	PSA: 856543 Fiat-Group: 71728806	25	008055
38	Internal trim clip	8 mm	14.4 mm	12.6 mm	Toyota: 9046710161	25	014665
39	Internal trim clip	8 mm	15 mm	14 mm	Honda: 38993634810	25	200678
40	Internal trim clip	8 mm	15.5 mm	13.5 mm	Alfa Romeo: 60507749 Fiat: 14188282 Lancia: 46306526	25	115810
41	Internal trim clip	8 - 8.2 mm	15.6 mm	15 mm	VW: 6X0867300A Seat: 6X0867300A	25	001974

INTERNAL/Approved (2019-03-22 15:19:25)

Vehicle Clips

1

No.	Title	Installation hole, round	Length	Ø head	Manufacturer and OEM	PU Piece	Article No.
42	Internal trim clip	8 - 8.2 mm	17 mm	13 mm	Ford: 1008068 Audi: 7M0867299K VW: 7M0867299K	25	092435
43	Internal trim clip	8 - 8.4 mm	17.9 mm	13.2 mm	Ford: 1020732	25	092412
44	Internal trim clip	8 - 8.4 mm	18 mm	13.2 mm	Ford: 6176723 / 6117693 IVECO: 500326189	25	097978
45	Internal trim clip	8 mm	23 mm	16 mm	Audi: 6Q0868243 Volkswagen: 6Q0868243 Skoda: 6Q0868243	25	002334
46	Internal trim clip	8 mm	26.3 mm	21.8 mm	Audi: 7L6868243 VW: 7L6868243	10	097806
47	Internal trim clip	8.1 - 8.3 mm	13.5 mm	14 mm	VAG: 701867549	25	245678
48	Internal trim clip	8.1 - 8.5 mm	14.2 mm	13.2 mm	Audi: N90541701 BMW: 8123832 Ford: 6117693	25	144575
49	Internal trim clip	8.1 - 8.5 mm	14.2 mm	13.2 mm	VAG: 2E1827649	25	245679
50	Internal trim clip	8.2 mm	10.5 mm	12.5 mm	Renault: 7703077368	25	100645
51	Internal trim clip	8.2 mm	13.6 mm	13 mm	PSA: 6991Y8 Fiat-Group: 9654280780 Renault: 7703077469	25	129628
52	Internal trim clip	8.2 mm	14.5 mm	12.5 mm	Opel: 4501565 Renault: 7703077250	25	106212
53	Internal trim clip	8.2 mm	14.8 mm	13 mm	PSA: 9341PF	25	200674
54	Internal trim clip	8.2 mm	15.1 mm	13 mm	BMW: 51139804996	25	245680
55	Internal trim clip	8.2 mm	15.4 mm	22.4 mm	Renault: 7703077476	25	100638
56	Internal trim clip	8.2 mm	15.6 mm	16 mm	PSA: 6991E8 / 696639	50	200680
57	Internal trim clip	8.2 mm	17.8 mm	13.2 mm	Ford: 1044806 / W704165	25	097979
58	Internal trim clip	8.2 mm	19 mm	22.1 mm	Seat: 6K0868243C VW: 6K0868243C	25	001944
59	Internal trim clip	8.3 mm	12 mm	13 mm	Toyota: 9046710162	25	014666
60	Internal trim clip	8.4 mm	13 mm	15.7 mm	Fiat: 14187880 Autobianchi: 14187880 Lancia: 14187880	25	106164
61	Internal trim clip	8.5 mm	10.45 mm	10 mm	Citroen: 6995X3 Peugeot: 6995X3	25	164455
62	Internal trim clip	8.5 mm	15 mm	13 mm	Honda: 91560S84A01	25	200673

INTERNAL/Approved (2019-03-22 15:19:56)

No.	Title	Installation hole, round	Length	Ø head	Manufacturer and OEM	PU Piece	Article No.
63	Internal trim clip	8.5 - 9 mm	15.2 mm	12.8 mm	Opel / Vauxhall: 2345959 / 90457899	25	001715
64	Internal trim clip	8.5 - 9 mm	15.2 mm	12.8 mm	Opel / Vauxhall: 2345957 / 90321122	25	092433
65	Internal trim clip	8.6 mm	14.8 mm	13 mm	Toyota: 6777116170	25	014667
66	Internal trim clip	8.6 - 8.8 mm	15.9 mm	13.2 mm	Mercedes Benz: 0089880978	25	100630
67	Internal trim clip	9 - 10 mm	13.8 mm	13 mm	VAG: 8E9867299 PSA: 6991S6 Renault: 7701056846 Volvo: 30648141	50	200682
68	Internal trim clip	9 mm	14.5 mm	12.5 mm	Renault: 7701049008 / 8200702219	25	100648
69	Internal trim clip	9 - 9.2 mm	15 mm	13 mm	Mazda: 992740825 Toyota: 6777112010	50	017454
70	Internal trim clip	9.5 mm	14.9 mm	10 mm	PSA: 856535	25	155195
71	Internal trim clip	10 - 10.2 mm	19.6 mm	13.2 mm	Mercedes Benz: A0009912498	25	245672
72	Internal trim clip	10 mm	25.6 mm	22 mm	Audi: 8E0868243	25	002281
73	Internal trim clip	10.8 mm	16.9 mm	21.7 mm	VW: 3B0868243 / 6N3868561	25	155300
74	Internal trim clip	11.5 mm	13.5 mm	18.9 mm	VW: 8Z0868243 Audi: 8Z0868243 Seat: 8Z0868243	25	097800

AGR: 16.100 / 16.101 / 16.102 / 16.103 / 16.104 / 16.110 / 16.111 / 16.120 / 16.130 / 16.132 / 16.133 / 16.155



INTERNAL/Approved (2019-03-22 15:22:16)

Vehicle Clips

1



No.	Title	Manufacturer and OEM	PU Piece	Article No.
01	Trim clip	Renault: 7703077421 IVECO: 500326896	25	055147
02	Trim clip	BMW: 51131960054	25	106272
03	Trim clip	Mercedes Benz: A0019884981	25	106176
04	Trim clip	VW: 113853585C Audi: 113853585C	100	080845
05	Trim clip	Citroen: 95567895	25	144641
06	Trim clip	VW: 191853733A	25	106228
07	Trim clip	VW: 1H0853733B	25	106235
08	Trim clip	Mercedes Benz: A1249900792	25	100629
09	Trim clip	Fiat-Group: 500326896 Opel / Vauxhall: 93160023/4409693/4412053 Renault: 7703077422	50	180652
10	Trim clip	Ford: 1034869	1/25	092415

INTERNAL/Approved (2019-03-22 15:22:23)

No.	Title	Manufacturer and OEM	PU Piece	Article No.
11	Trim clip	VAG: 3C0853585	50	200720
12	Trim clip	VAG: 7L0853547A Porsche: 95555954700	25	200722
13	Trim clip	Honda: 91513SMGE01	25	245698
14	Trim clip	Renault: 7703077341	25	114899
15	Trim clip	VAG: 1H0853585	20	144705
16	Trim clip	VW: 1H0853585B	20	144706
17	Vehicle clip	Toyota, Lexus: 9046712020 Honda: - Mazda: -	25	014661

AGR: 16.100 / 16.101 / 16.102 / 16.103 / 16.104 / 16.110 / 16.111 / 16.130 / 16.132



INTERNAL/Approved (2019-03-22 15:24:01)

Vehicle Clips

1



106155



106736



144633



014664



100628
01



097807
02



155285
03



001713
04



340537
05



155271
06

No.	Title	Installation hole, round	Length	Ø head	Manufacturer and OEM	PU Piece	Article No.
	Door grommets				Fiat: 7745194 Lancia: 7745194	25	106736
	DOOR SPOUT FIAT 7739802				Alfa Romeo: 7739802 Fiat: 7739802	50	106155
	DOOR SPOUT PSA 9609212380				Peugeot: 9609212380 Citroen: 9609212380	1/50	144633
	TRIM STRIP CLIP 9046710023				Toyota: 9046710023	50	014664
01	Grommet	5.7 - 5.8 mm	6.1 mm	7 mm	Mercedes Benz: A2019972281	25	100628
02	Grommet	7.8 - 8.6 mm	15 mm	12.5 mm	VW: 113857219A	25	097807
03	Grommet	8.7 mm	10.7 mm	12.6 mm	VW: 1H0853586 Audi: 1H0853586 Fiat: Lancia:	50	155285
04	Grommet	8.9 - 9.1 mm	5.6 mm	10.5 mm	Mercedes Benz: 0009881581 Fiat-Group: 4313075	25	001713
05	Grommet	8.9 - 9.1 mm	11.8 mm	11.5 mm	Mercedes Benz: 0019882081	100	340537
06	Grommet	9 mm	12.7 mm	11.5 mm	Mercedes Benz: A0019887681	50	155271

AGR: 16.102 / 16.104 / 16.110 / 16.120 / 16.130

Hose connectors

Application Area

- Connection of hoses



152695
01



152696
02



001960
03



152700
04



152701
05



152698
06



001963
07



152697
08

No.	Title	Manufacturer and OEM	PU Piece	Article No.
01	Hose connector	Fiat: 5953867	1/25	152695
02	Hose connector	Fiat: 7689403	25	152696
03	Hose connector	Fiat: 4337425 Alfa Romeo: 4337425 Lancia: 4337425	25	001960
04	Hose connector	Fiat-Group: 7667887	25	152700
05	Hose connector	Fiat: 14583087	1/25	152701
06	Hose connector	Fiat-Group: 7667888	25	152698
07	Hose connector	Fiat: 7613928 Fiat: 7613928	1/25	001963
08	Hose connector	Fiat: 7787593 Lancia: 7787593	25	152697

AGR: 16.120

INTERNAL/Approved (2019-03-22 15:24:40)



INTERNAL/Approved (2019-03-22 15:28:25)

1



164497
01



155257
02



097826
03

200655
04



100635
05



092437
06



114921
07



115821
08



180646
09



200667
10



200668
11



200686
12



245671
13



106157
14



245685
15



144557
16



079111
17



245684
18



144475
19



144712
20



242772
21



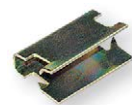
081434
22



001973
23



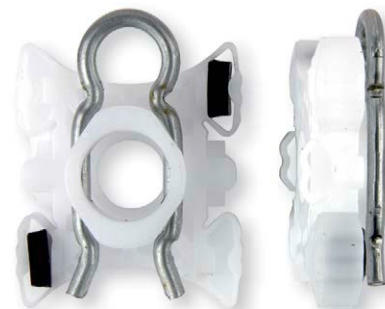
171072
24



081868
25



200685
26



017652
27



144478
28

INTERNAL/Approved (2019-03-22 15:28:33)

No.	Title	Manufacturer and OEM	PU Piece	Article No.
01	Vehicle clip	Peugeot: 6992.P3 Citroen: 6992.P3	25	164497
02	Vehicle clip	Ford: 6180955 VAG: -	25	155257
03	Vehicle clip	Opel / Vauxhall: 90270271	25	097826
04	Vehicle clip	Mercedes Benz: A0019979586	1	200655
05	Vehicle clip	BMW: 51416654189 Audi: N0143893 / N143893 VW: N0143893 / N143893 Ford: 0537655 Volvo: 3104426	25	100635
06	Vehicle clip	Ford: 1106903	10	092437
07	Vehicle clip	Fiat: 7769676 Lancia: 7769676	25	114921
08	Vehicle clip	Renault: 7700784690	1/25	115821
09	Vehicle clip	Toyota: 5387958010	25	180646
10	Vehicle clip	Mercedes Benz: A6389840861	25	200667
11	Vehicle clip	Mercedes Benz: A6389840961	25	200668
12	Vehicle clip	Ford: 4069906 / 4494055	25	200686
13	Vehicle clip	BMW: 51458266814	25	245671
14	Vehicle clip	Alfa Romeo: 7622939 Fiat: 7622939 Lancia: 7622939 IVECO: 93924503	1/25	106157
15	Vehicle clip	Ford: 1404957	50	245685
16	Vehicle clip	Renault: 7569098 Peugeot: -	50	144557
17	Vehicle clip	Opel / Vauxhall: 176653	100	079111
18	Vehicle clip	VAG: 811611797	25	245684
19	Vehicle clip	Fiat: 7769767	1/25	144475
20	Vehicle clip	Renault: 7700784059	1/25	144712
21	Vehicle clip	Ford: 1473931 Opel / Vauxhall:	50	242772
22	Vehicle clip	Opel / Vauxhall: 100490	100	081434

INTERNAL/Approved (2019-03-22 15:29:03)

Vehicle Clips

1

No.	Title	Manufacturer and OEM	PU Piece	Article No.
23	Vehicle clip	VW: 4A0867276A Seat: 4A0867276A	50	001973
24	Vehicle clip	Ford: 4069907/4494056	25	171072
25	Vehicle clip	Fiat: 14184074 Alfa Romeo: 14184074	100	081868
26	Vehicle clip	VAG: 4F0825429A	50	200685
27	Vehicle clip	BMW: 51321938884	10	017652
28	Vehicle clip	Fiat: 7775575 Alfa Romeo: 7775575 Lancia: 7775575	1/25	144478

AGR: 16.100 / 16.101 / 16.102 / 16.103 / 16.104 / 16.110 / 16.111 / 16.120 / 16.130 / 16.155

Repair kit underbody Audi A4/A6

- From every part, there is the right amount in the set - low storage cost and time savings.
- Complete set for under floor mounting - easy additional calculation.

Application Area

- Audi A4
- Audi A6

Repair kit underbody Audi A4/A6		
Title	PU Set	Article No.
Repair kit	1	016406
AGR: 16.104		
Scope Of Supply	Piece	Article No.
Underbody Clip VW/AUDI 4A0805163	6	017299
Sheet Metal Nut VW/AUDI 8D0805960	6	017300
Underbody Clip VW/AUDI 8D0805121B	3	017301
Underbody Clip VW/AUDI 8D0805121	6	017302
Underbody Clip VW/AUDI 4A0805121C	4	017304
Expanding Rivet VW/Audi N0385491	2	017297
Underbody Clip VW/AUDI 4A0805121A	4	017303
Underbody Clip VW/AUDI 4A0805137A	4	017298
Underbody Clip VW/AUDI 4A0805137	3	017305



1

INTERNAL/Approved (2019-03-22 15:30:06)

Repair kit underbody Skoda Superb/VW Passat

- From every part of the right amount in the set - low storage cost and time savings
- Complete set for Underbody mounting - easy additional calculation

Application Area

- VW Passat 3 B starting from BJ 1997
- Skoda Superb starting from BJ 2002



Repair kit underbody Skoda Superb/VW Passat

Title	PU Set	Article No.
Repair kit	1	016405

AGR: 16.104

Scope Of Supply

	Piece	Article No.
Underbody Clip VW/AUDI 4A0805163	4	017299
Sheet Metal Nut VW/AUDI 8D0805960	6	017300
Underbody Clip VW/AUDI 8D0805121B	3	017301
Underbody Clip VW/AUDI 8D0805121	6	017302
Underbody Clip VW/AUDI 4A0805121A	4	017303
Underbody Clip VW/AUDI 4A0805137	3	017305

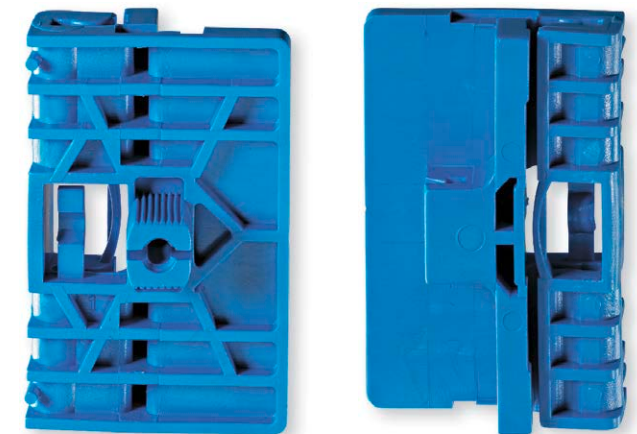
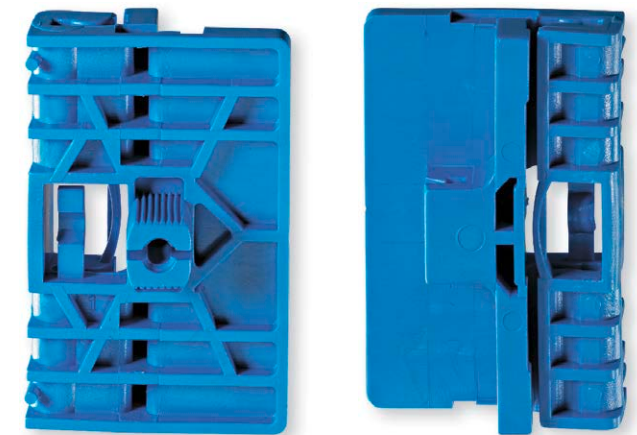
Repair kit window lift Audi A3/A6

- Only the defective parts can be replaced - cost-saving and environmental friendly
- No conversion of attachments are necessary
- Low storage costs
- Technical expertise use with final customers

Application Area

- Audi A3
- Audi A6

Repair kit window lift Audi A3/A6		
Title	PU Piece	Article No.
Repair kit	1	002857
AGR: 16.104		



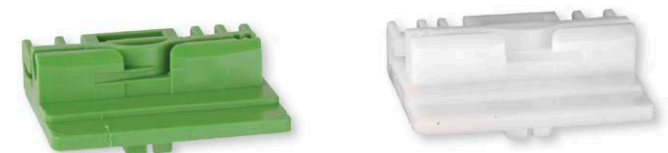
Repair kit window lift Audi A4

- Only the defective parts can be replaced - cost-saving and environmental friendly
- Low storage costs
- Technical expertise use with final customers

Application Area

- Audi A4 starting from year of manufacture 2002

Repair kit window lift Audi A4		
Title	PU Piece	Article No.
Repair kit	1	002856
AGR: 16.104		



INTERNAL/Approved (2019-03-22 15:30:23)

Repair kit window lift Audi/Skoda/VW

1

- Only the defective parts can be replaced - cost-saving and environmental friendly
- No conversion of attachments are necessary
- Low storage costs
- Technical expertise use with final customers

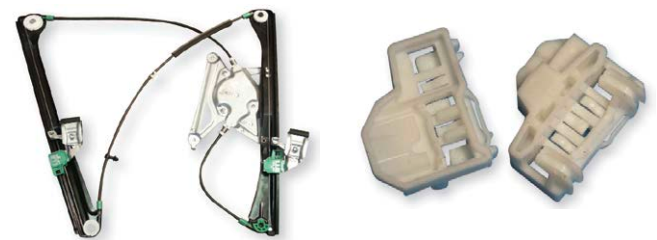
Application Area

- Audi A4 Year 2002
- Skoda Superb
- VW Passat manufactured in 1997
- VW Polo Year 1999-2001

Repair kit window lift Audi/Skoda/VW

Title	PU Piece	Article No.
Repair kit left side	1	173334
Repair kit right side	1	173335

AGR: 16.104



INTERNAL/Approved (2019-03-22 15:30:32)

Repair kit window lift Seat/Skoda/VW

- Only the defective parts can be replaced - cost-saving and environmental friendly
- Low storage costs
- Technical expertise use with final customers

Application Area

- Seat Toledo
- Seat Leon
- Skoda Fabia
- VW New Beetle

Hints

- The assembly tool is a reusable installation mean.

Repair kit window lift Seat/Skoda/VW		
Title	PU Piece	Article No.
Repair kit	1	173332

AGR: 16.104

Repair kit window lift Skoda Octavia

- Only the defective parts can be replaced - cost-saving and environmental friendly
- Low storage costs
- Technical expertise use with final customers

Application Area

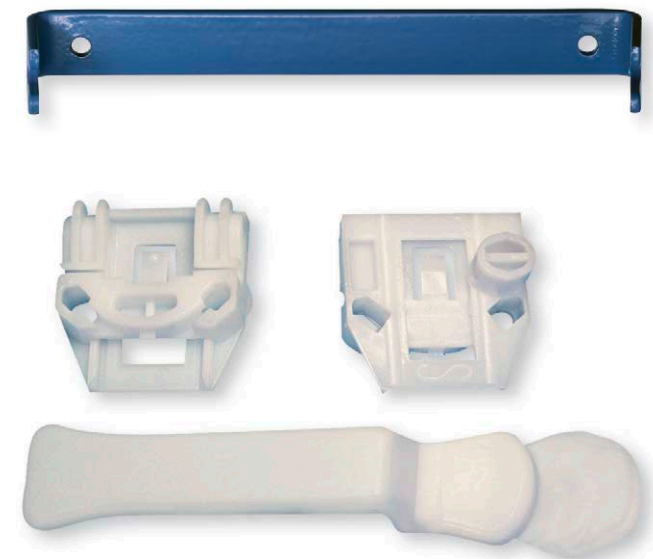
- Skoda Octavia

Hints

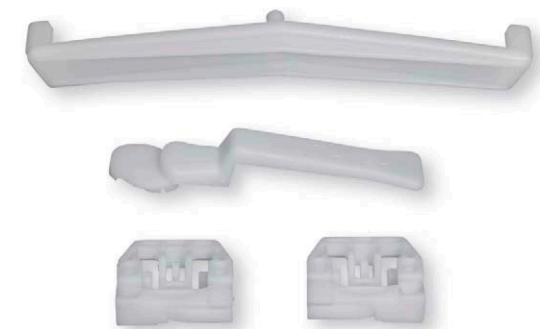
- The assembly a reusable installation mean.

Repair kit window lift Skoda Octavia		
Title	PU Piece	Article No.
Repair kit	1	171333

AGR: 16.104



1



INTERNAL/Approved (2019-03-22 15:30:48)

Repair kit window lift Seat/VW

1

- Only the defective parts can be replaced - cost-saving and environmental friendly
- Low storage costs
- Technical expertise use with final customers

Application Area

- Seat Ibiza from 2002
- VW Bora
- VW Golf IV

Hints

- The assembly tool is a reusable installation mean.

Repair kit window lift Seat/VW		
Title	PU Piece	Article No.
Repair kit	1	168277

AGR: 16.104



Repair kit window lift Skoda Octavia

- Only the defective parts can be replaced - cost-saving and environmental friendly
- Low storage costs
- Technical expertise use with final customers

Application Area

- Skoda Octavia

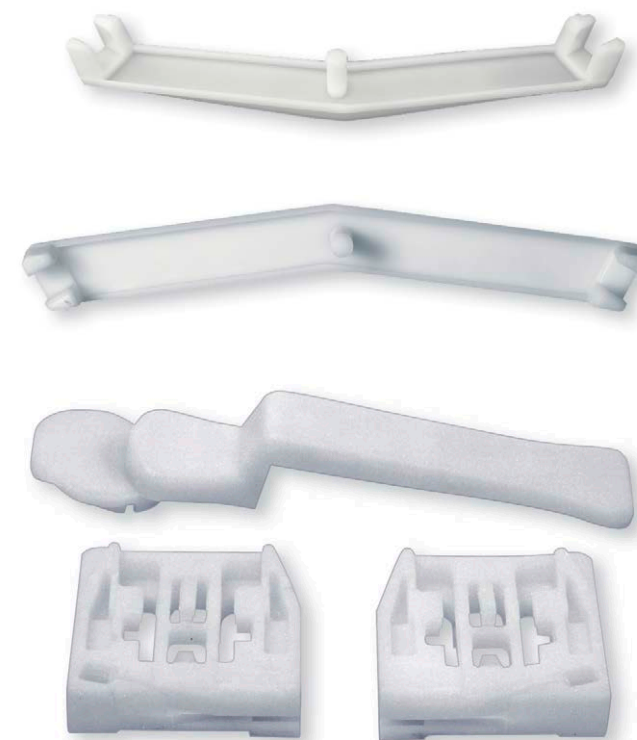
Hints

- The assembly a reusable installation mean.

Repair kit window lift Skoda Octavia

Title	PU Piece	Article No.
Repair kit	1	171334

AGR: 16.104



1



Repair kit window lift Seat/VW

1

- Only the defective parts can be replaced - cost-saving and environmental friendly
- Low storage costs
- Technical expertise to the ultimate customer

Application Area

- Seat Cordoba from 2002
- Seat Ibiza from 2001
- Seat Arosa
- VW Polo Year 1994-1999
- VW Lupo

Repair kit window lift Seat/VW

Title	PU Piece	Article No.
Repair kit	1	173333

AGR: 16.104

Assembling tool for repair-sets window lift

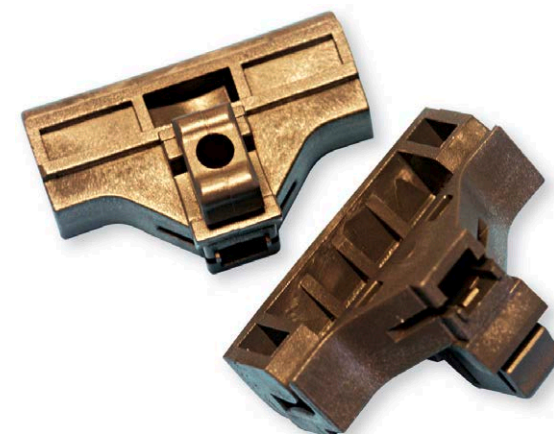
- Only the defective parts can be replaced - cost-saving and environmental friendly
- Low storage costs
- Technical expertise use with final customers

Hints

- The assembly tool is a reusable installation mean.

Title	PU Piece	Article No.
Mounting Bracket	1	168278

AGR: 16.104



Repair kit headlamp VW Golf IV

- Repair rather than replacement - more cost saving and environmental friendly
- Low storage costs
- Technical expertise use with final customers

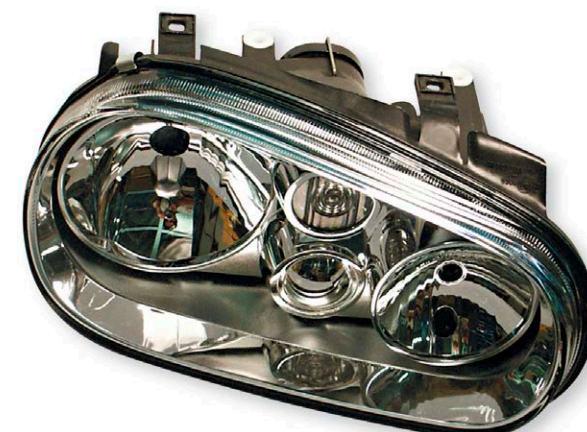
Application Area

- VW Golf IV

Repair kit headlamp VW Golf IV

Title	PU Piece	Article No.
Repair kit left side	1	170071
Repair kit right side	1	170072

AGR: 16.104



1

Further Fastening elements (DIN & standard)

1

DIN 71412, shape A, steel zinc plated

Characteristics

- Form A = cone head straight (nipple type cone H1)



DIN 71412, shape A, steel zinc plated

Title	Ø pin	Length pin	Length total (mm)	PU Piece	Article No.
Drive-in lubricating nipple	6 mm	5.5 mm	15 mm	100	182222
Drive-in lubricating nipple	8 mm	5.5 mm	15 mm	100	182230
Drive-in lubricating nipple	10 mm	5.5 mm	15 mm	50	182249

AGR: 16.935

DIN 71412, shape A, steel zinc plated

Characteristics

- Form A = cone head straight (nipple type cone H1)



DIN 71412, shape A, steel zinc plated

Title	Thread	Thread length	Length total (mm)	Wrench Width	PU Piece	Article No.
Lubricating nipple	M 6 x 1	5.5 mm	15 mm	7 mm	50	013617
Lubricating nipple	M 8 x 1	5.5 mm	15 mm	9 mm	50	013625
Lubricating nipple	M 10 x 1	5.5 mm	15 mm	11 mm	50	013633

AGR: 16.935

DIN 71412, shape A, inch thread, steel zinc plated



Characteristics

- Form A = cone head straight (nipple type cone H1)

DIN 71412, shape A, inch thread, steel zinc plated

Title	Thread	Thread length	Length total (mm)	Wrench Width	PU Piece	Article No.
Lubricating nipple	UNF 1/4	5.5 mm	15 mm	7 mm	50	013722
Lubricating nipple	UNF 5/16	5.5 mm	15 mm	9 mm	50	013730
Lubricating nipple	UNF 3/8	5.5 mm	15 mm	11 mm	50	013749

AGR: 16.935

DIN 71412, shape B, steel zinc plated



Characteristics

- Form B = cone head angled 45 ° (nipple type cone H2)



013641



013650
013668

DIN 71412, shape B, steel zinc plated

Title	Thread	Thread length	Length total (mm)	Wrench Width	PU Piece	Article No.
Lubricating nipple	M 6 x 1	5.5 mm	20.5 mm	9 mm	50	013641
Lubricating nipple	M 8 x 1	5.5 mm	20.5 mm	9 mm	50	013650
Lubricating nipple	M 10 x 1	5.5 mm	20.5 mm	11 mm	50	013668

AGR: 16.935

Further Fastening elements (DIN & standard)

DIN 71412, shape C, steel zinc plated

Characteristics

- Form C = cone head angled 90 ° (nipple type cone H3)



DIN 71412, shape C, steel zinc plated

Title	Thread	Thread length	Length total (mm)	Wrench Width	PU Piece	Article No.
Lubricating nipple	M 6 x 1	5.5 mm	18 mm	9 mm	50	013684
Lubricating nipple	M 8 x 1	5.5 mm	18 mm	9 mm	50	013692
Lubricating nipple	M 10 x 1	5.5 mm	18 mm	11 mm	50	013706

AGR: 16.935