

Sphere bulb 6/12 V



No.	Title	Voltage	Power	Socket	PU Piece	Article No.
01	Sphere bulb 6V 5W	6 V	5 W	BA 15s	1/10	229008
02	Sphere Bulb	6 V	10 W	BA 15s	10	229016
03	Sphere Bulb	6 V	18 W	BA 15s	10	229032
04	Sphere bulb 6V 21W	6 V	21 W	BA 15s	1/10	229040
05	Sphere Bulb	6 V	2 W	BA 9s	10	228982
06	Sphere Bulb	6 V	4 W	BA 9s	10	228990
07	Sphere Bulb	6 V	21 / 5 W	BAY 15d	10	229059
08	Sphere Bulb	6 V	15 W	P 26s	10	229024
09	Sphere Bulb	12 V	15 W	P 26s	10	144356

AGR: 12.421 / 12.431

Lamp asymmetrical 6 V

229067
01

No.	Title	Voltage	Power	Socket	PU Piece	Article No.
01	ASY-LAMP 6 V 35/35 W	6 V	35 / 35 W	PA 20d	1	229067

AGR: 12.421

Halogen Bulbs H1

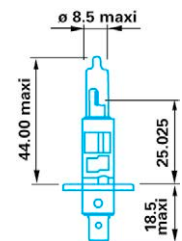
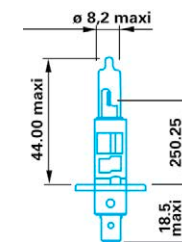
- Higher atmosphere pressure contact base provides less filament Burning - follows - longer life!
- Xenon gas impurity (only LL, HD, HDLL, HQ and HQLL lamps) provide better light output - as follows - better visibility and safety on the road!

Application Area

- Car headlights and heavy machinery

Characteristics

- Standard halogen: Gas filling - 100% krypton gas, gas pressure - 11 atmospheric standard filament glass glass wall thickness: 1.0 mm
- Halogen LL (Longlife) to extend the lifetime of gas filling - 20% Xenon / Krypton 80%, gas pressure - 14 atmospheric, high-quality tungsten filament, glass plinth wall thickness: 1.2 mm
- Halogen HD (Heavy Duty), hardened: Gas filling - 20% Xenon / Krypton 80%, gas pressure - 14 atmospheric, high-quality tungsten filament with additional shock absorbing mounts, glass plinth wall thickness: 1.2 mm
- Halogen HDLL (Heavy Duty Longlife), with an extended service life and increased durability: Gas filling - 20% Xenon / Krypton 80%, gas pressure - 15 atmospheric, high-quality tungsten filament with extra cushioning mounting plinth glass wall thickness: 1.2 mm
- Halogen HQ (Premium HQ): Similar LL lamps were used in glass - made of special quartz glass
- Halogen HQLL (Premium HQ Longlife) Similarly HQ halogen lamps, only with a higher gas pressure: 16 atmosphere
- Halogen CB (Cool Blue) The blue-white, high contrast light, it is easier visible to both the car driver and Trasporti oncoming drivers. Better illuminate the contours of the road and roadside existing items
- Halogen +50/100/120% (with high light output): Filament additional coating provides better illumination 50-120 meters ahead, as well as 50 to 120% brighter light at night. High veikspējas halogen with extended lifetime



Bulbs

Processing Information

- * Halogen car bulbs with 100 watts or more are prohibited from use on public roads!
- * All halogen car bulbs are available in packs of 10 pieces!

Hints

- 100 Watt bulbs are not for use in European public traffic
- LL = Long Life
- +50% = 50% more light

Title	Type Of Vehicle Lamp	Lamp version	Voltage	Power	Socket	PU Piece	Article No.
Halogen lamp	H 1	Standard	12 V	55 W	P 14,5s	1/30/50	179868
Halogen lamp	H 1	Longlife	12 V	55 W	P 14,5s	1	144348
Halogen lamp	H 1	PREMIUMline	12 V	55 W	P 14,5s	1/10	098180
Halogen lamp	H 1	Longlife PREMIUMline	12 V	55 W	P 14,5s	1/10	098181
Halogen lamp	H 1	Heavy Duty Longlife	12 V	55 W	P 14,5s	1	011910
Halogen lamp	H 1	All Weather	12 V	55 W	P 14,5s	1	110265
Halogen lamp	H 1	Cool Blue	12 V	55 W	P 14,5s	1	199614
Halogen lamp	H 1	Super White	12 V	55 W	P 14,5s	1	199615
Halogen lamp	H 1	Ralley	12 V	100 W	P 14,5s	1	144009

AGR: 12.430

H2

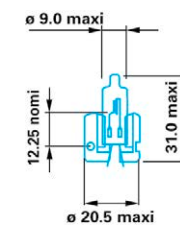
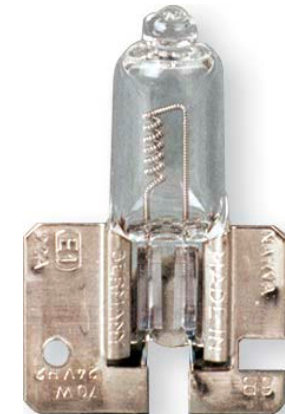
- "Higher atmosphere pressure contact base provides less filament Burning - follows - longer life!
- Xenon gas impurity (only LL, HD, HDLL, HQ and HQLL lamps) provide better light output - as follows - better visibility and safety on the road!"

Application Area

- Car headlights and heavy machinery

Characteristics

- "Standard halogen: Gas filling - 100% krypton gas, gas pressure - 11 atmospheric standard filament glass glass wall thickness: 1.0 mm
Halogen LL (Longlife) to extend the lifetime of gas filling - 20% Xenon / Krypton 80%, gas pressure - 14 atmospheric, high-quality tungsten filament, glass plinth wall thickness: 1.2 mm
Halogen HD (Heavy Duty), hardened: Gas filling - 20% Xenon / Krypton 80%, gas pressure - 14 atmospheric, high-quality tungsten filament with additional shock absorbing mounts, glass plinth wall thickness: 1.2 mm
Halogen HDLL (Heavy Duty Longlife), with an extended service life and increased durability: Gas filling - 20% Xenon / Krypton 80%, gas pressure - 15 atmospheric, high-quality tungsten filament with extra cushioning mounting plinth glass wall thickness: 1.2 mm
Halogen HQ (Premium HQ): Similar LL lamps were used in glass - made of special quartz glass
Halogen HQLL (Premium HQ Longlife) Similarly HQ halogen lamps, only with a higher gas pressure: 16 atmosphere
Halogen CB (Cool Blue) The blue-white, high contrast light, it is easier visible to both the car driver and Trasporti oncoming drivers. Better illuminate the contours of the road and roadside existing items
Halogen +50/100/120% (with high light output): Filament additional coating provides better illumination 50-120 meters ahead, as well as 50 to 120% brighter light at night. High veikspējas halogen with extended lifetime"



Processing Information

- "* Halogen car bulbs with 100 watts or more are prohibited from use on public roads!
* All halogen car bulbs are available in packs of 10 pieces!"

Halogen Bulbs H3

- "Higher atmosphere pressure contact base provides less filament Burning - follows - longer life!"
- Xenon gas impurity (only LL, HD, HDLL, HQ and HQLL lamps) provide better light output - as follows - better visibility and safety on the road!"

Application Area

- Headlight

Characteristics

- "Standard halogen: Gas filling - 100% krypton gas, gas pressure - 11 atmospheric standard filament glass glass wall thickness: 1.0 mm

Halogen LL (Longlife) to extend the lifetime of gas filling - 20% Xenon / Krypton 80%, gas pressure - 14 atmospheric, high-quality tungsten filament, glass plinth wall thickness: 1.2 mm

Halogen HD (Heavy Duty), hardened: Gas filling - 20% Xenon / Krypton 80%, gas pressure - 14 atmospheric, high-quality tungsten filament with additional shock absorbing mounts, glass plinth wall thickness: 1.2 mm

Halogen HDLL (Heavy Duty Longlife), with an extended service life and increased durability: Gas filling - 20% Xenon / Krypton 80%, gas pressure - 15 atmospheric, high-quality tungsten filament with extra cushioning

mounting plinth glass wall thickness: 1.2 mm

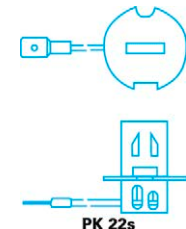
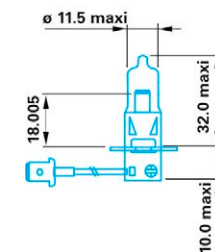
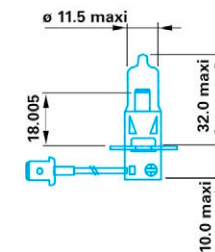
Halogen HQ (Premium HQ): Similar LL lamps were used in glass - made of special quartz glass

Halogen HQLL (Premium HQ Longlife) Similarly HQ halogen lamps, only with a higher gas pressure: 16 atmosphere

Halogen CB (Cool Blue) The blue-white, high contrast light, it is easier

visible to both the car driver and Transporti oncoming drivers. Better illuminate the contours of the road and roadside existing items

Halogen +50/100/120% (with high light output): Filament additional coating provides better illumination 50-120 meters ahead, as well as 50 to 120% brighter light at night. High veikspējas halogen with extended lifetime"



Processing Information

- "* Halogen car bulbs with 100 watts or more are prohibited from use on public roads!
* All halogen car bulbs are available in packs of 10 pieces!"

Hints

- 100 Watt bulbs are not for use in European public traffic
- LL = Long Life
- +50% = 50% more light

Title	Type Of Vehicle Lamp	Lamp version	Voltage	Power	Socket	PU Piece	Article No.
Halogen lamp	H 3	Standard	12 V	55 W	PK 22s	1/30	179884
Halogen lamp	H 3	Longlife	12 V	55 W	PK 22s	1	144349
Halogen lamp	H 3	PREMIUmline	12 V	55 W	PK 22s	1/10	098182
Halogen lamp	H 3	Heavy Duty Longlife	12 V	55 W	PK 22s	1	011911
Halogen lamp	H 3	Heavy Duty Longlife PREMIUmline	12 V	55 W	PK 22s	1/10	098184
Halogen lamp	H 3	Cool Blue	12 V	55 W	PK 22s	1	199612
Halogen lamp	H 3	Super White	12 V	55 W	PX 26d	1	199613
Halogen lamp	H 3	Ralley	12 V	100 W	PK 22s	1	144005

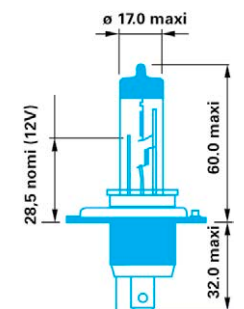
AGR: 12.430

Halogen Bulbs H4

- ""Higher atmosphere pressure contact base provides less filament Burning - follows - longer life!
- Xenon gas impurity (only LL, HD, HDLL, HQ and HQLL lamps) provide better light output - as follows - better visibility and safety on the road!""

Application Area

- Headlight



INTERNAL/Approved (2019-03-22 21:04:57)

Characteristics

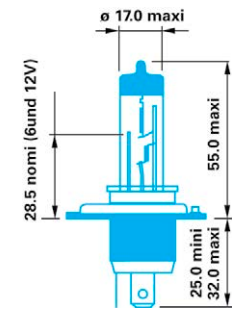
- "Standard halogen: Gas filling - 100% krypton gas, gas pressure - 11 atmospheric standard filament glass glass wall thickness: 1.0 mm
Halogen LL (Longlife) to extend the lifetime of gas filling - 20% Xenon / Krypton 80%, gas pressure - 14 atmospheric, high-quality tungsten filament, glass plinth wall thickness: 1.2 mm
Halogen HD (Heavy Duty), hardened: Gas filling - 20% Xenon / Krypton 80%, gas pressure - 14 atmospheric, high-quality tungsten filament with additional shock absorbing mounts, glass plinth wall thickness: 1.2 mm
Halogen HDLL (Heavy Duty Longlife), with an extended service life and increased durability: Gas filling - 20% Xenon / Krypton 80%, gas pressure - 15 atmospheric, high-quality tungsten filament with extra cushioning mounting plinth glass wall thickness: 1.2 mm
Halogen HQ (Premium HQ): Similar LL lamps were used in glass - made of special quartz glass
Halogen HQLL (Premium HQ Longlife) Similarly HQ halogen lamps, only with a higher gas pressure: 16 atmosphere
Halogen CB (Cool Blue) The blue-white, high contrast light, it is easier visible to both the car driver and Trasporti oncoming drivers. Better illuminate the contours of the road and roadside existing items
Halogen +50/100/120% (with high light output): Filament additional coating provides better illumination 50-120 meters ahead, as well as 50 to 120% brighter light at night. High veikspējas halogen with extended lifetime"

Processing Information

- "* Halogen car bulbs with 100 watts or more are prohibited from use on public roads!
* All halogen car bulbs are available in packs of 10 pieces!"

Hints

- 100 Watt bulbs are not for use in European public traffic
- LL = Long Life
- +50% = 50% more light



Title	Type Of Vehicle Lamp	Lamp version	Voltage	Power	Socket	PU Piece	Article No.
Halogen lamp	H 4	Standard	12 V	60 / 55 W	P 43t	1/10/30	080891
Halogen lamp	H 4	+ 50%	12 V	60 / 55 W	P 43t	1/10	161242
Halogen lamp	H 4	Longlife	12 V	60 / 55 W	P 43t	1/10	144001
Halogen lamp	H 4	PREMIUline	12 V	60 / 55 W	P 43t	1/10	098185
Halogen lamp	H 4	+ 50% PREMIUline	12 V	60 / 55 W	P 43t	1/2/10	188534
Halogen lamp	H 4	+ 100% PREMIUline	12 V	60 / 55 W	P 43t	1/10	215758
Halogen lamp	H 4	+ 120% PREMIUline	12 V	60 / 55 W	P 43t	2	188537
Halogen lamp	H 4	Heavy Duty Longlife	12 V	60 / 55 W	P 43t	1/10	011912
Halogen lamp	H 4	Longlife PREMIUline	12 V	60 / 55 W	P 43t	1/10	098186
Halogen lamp	H 4	All Weather	12 V	60 / 55 W	P 43t	10	114963
Halogen lamp	H 4	Cool Blue	12 V	60 / 55 W	P 43t	1	199610
Halogen lamp	H 4	Super White	12 V	60 / 55 W	P 43t	1	199611
Halogen lamp	H 4	Ralley	12 V	100 / 90 W	P 43t	1	144335

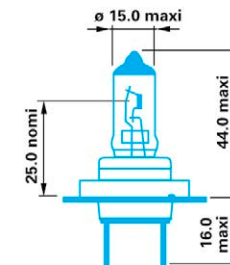
AGR: 12.430

Halogen Bulbs H7

- “Higher atmosphere pressure contact base provides less filament Burning - follows - longer life!
- Xenon gas impurity (only LL, HD, HDLL, HQ and HQLL lamps) provide better light output - as follows - better visibility and safety on the road!”

Application Area

- Headlight



Characteristics

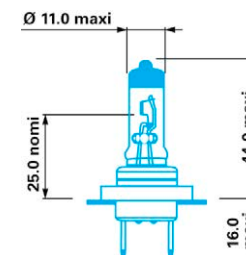
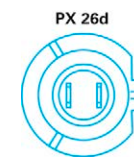
- "Standard halogen: Gas filling - 100% krypton gas, gas pressure - 11 atmospheric standard filament glass glass wall thickness: 1.0 mm
Halogen LL (Longlife) to extend the lifetime of gas filling - 20% Xenon / Krypton 80%, gas pressure - 14 atmospheric, high-quality tungsten filament, glass plinth wall thickness: 1.2 mm
Halogen HD (Heavy Duty), hardened: Gas filling - 20% Xenon / Krypton 80%, gas pressure - 14 atmospheric, high-quality tungsten filament with additional shock absorbing mounts, glass plinth wall thickness: 1.2 mm
Halogen HDLL (Heavy Duty Longlife), with an extended service life and increased durability: Gas filling - 20% Xenon / Krypton 80%, gas pressure - 15 atmospheric, high-quality tungsten filament with extra cushioning mounting plinth glass wall thickness: 1.2 mm
Halogen HQ (Premium HQ): Similar LL lamps were used in glass - made of special quartz glass
Halogen HQLL (Premium HQ Longlife) Similarly HQ halogen lamps, only with a higher gas pressure: 16 atmosphere
Halogen CB (Cool Blue) The blue-white, high contrast light, it is easier visible to both the car driver and Trasporti oncoming drivers. Better illuminate the contours of the road and roadside existing items
Halogen +50/100/120% (with high light output): Filament additional coating provides better illumination 50-120 meters ahead, as well as 50 to 120% brighter light at night. High veikspējas halogen with extended lifetime"

Processing Information

- "* Halogen car bulbs with 100 watts or more are prohibited from use on public roads!
* All halogen car bulbs are available in packs of 10 pieces!"

Hints

- 100 Watt bulbs are not for use in European public traffic
- LL = Long Life
- +50% = 50% more light



Title	Type Of Vehicle Lamp	Lamp version	Voltage	Power	Socket	PU Piece	Article No.
Halogen lamp	H 7	Standard	12 V	55 W	PX 26d	1	108038
Halogen lamp	H 7	+ 50%	12 V	55 W	PX 26d	1/10	161243
Halogen lamp	H 7	PREMIUline	12 V	55 W	PX 26d	1/10	098188
Halogen lamp	H 7	+ 50% PREMIUline	12 V	55 W	PX 26d	1/10	188538
Halogen lamp	H 7	+ 100% PREMIUline	12 V	55 W	PX 26d	1/10	215760
Halogen lamp	H 7	Longlife PREMIUline	12 V	55 W	PX 26d	1/10	098189
Halogen lamp	H 7	High Quality Longlife	12 V	55 W	PX 26d	1/10/30/50	038547
Halogen lamp	H 7	Heavy Duty Longlife	12 V	55 W	PX 26d	1	011913
Halogen lamp	H 7	Cool Blue	12 V	55 W	PX 26d	1	199608
Halogen lamp	H 7	Super White	12 V	55 W	PX 26d	1	199609
Halogen lamp	H 7	Ralley	12 V	100 W	PX 26d	1	166856

AGR: 12.430

BILUX

- "Higher atmosphere pressure contact base provides less filament Burning - follows - longer life!"
- Xenon gas impurity (only LL, HD, HDLL, HQ and HQLL lamps) provide better light output - as follows - better visibility and safety on the road!"

Application Area

- Headlight

Characteristics

- "Standard halogen: Gas filling - 100% krypton gas, gas pressure - 11 atmospheric standard filament glass wall thickness: 1.0 mm
Halogen LL (Longlife) to extend the lifetime of gas filling - 20% Xenon / Krypton 80%, gas pressure - 14 atmospheric, high-quality tungsten filament, glass plinth wall thickness: 1.2 mm
Halogen HD (Heavy Duty), hardened: Gas filling - 20% Xenon / Krypton 80%, gas pressure - 14 atmospheric, high-quality tungsten filament with additional shock absorbing mounts, glass plinth wall thickness: 1.2 mm
Halogen HDLL (Heavy Duty Longlife), with an extended service life and increased durability: Gas filling - 20% Xenon / Krypton 80%, gas pressure - 15 atmospheric, high-quality tungsten filament with extra cushioning mounting plinth glass wall thickness: 1.2 mm
Halogen HQ (Premium HQ): Similar LL lamps were used in glass - made of special quartz glass
Halogen HQLL (Premium HQ Longlife) Similarly HQ halogen lamps, only with a higher gas pressure: 16 atmosphere
Halogen CB (Cool Blue) The blue-white, high contrast light, it is easier visible to both the car driver and Transporti oncoming drivers. Better illuminate the contours of the road and roadside existing items
Halogen +50/100/120% (with high light output): Filament additional coating provides better illumination 50-120 meters ahead, as well as 50 to 120% brighter light at night. High veikspējas halogen with extended lifetime"

Processing Information

- "* Halogen car bulbs with 100 watts or more are prohibited from use on public roads!
* All halogen car bulbs are available in packs of 10 pieces!"



MINI-H

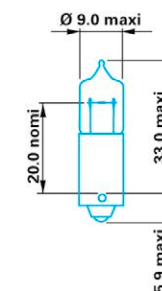
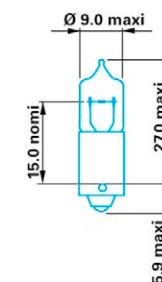
- "Higher atmosphere pressure contact base provides less filament Burning - follows - longer life!
- Xenon gas impurity (only LL, HD, HDLL, HQ and HQLL lamps) provide better light output - as follows - better visibility and safety on the road!"

Application Area

- Headlight

Characteristics

- "Standard halogen: Gas filling - 100% krypton gas, gas pressure - 11 atmospheric standard filament glass wall thickness: 1.0 mm
Halogen LL (Longlife) to extend the lifetime of gas filling - 20% Xenon / Krypton 80%, gas pressure - 14 atmospheric, high-quality tungsten filament, glass plinth wall thickness: 1.2 mm
Halogen HD (Heavy Duty), hardened: Gas filling - 20% Xenon / Krypton 80%, gas pressure - 14 atmospheric, high-quality tungsten filament with additional shock absorbing mounts, glass plinth wall thickness: 1.2 mm
Halogen HDLL (Heavy Duty Longlife), with an extended service life and increased durability: Gas filling - 20% Xenon / Krypton 80%, gas pressure - 15 atmospheric, high-quality tungsten filament with extra cushioning mounting plinth glass wall thickness: 1.2 mm
Halogen HQ (Premium HQ): Similar LL lamps were used in glass - made of special quartz glass
Halogen HQLL (Premium HQ Longlife) Similarly HQ halogen lamps, only with a higher gas pressure: 16 atmosphere
Halogen CB (Cool Blue) The blue-white, high contrast light, it is easier visible to both the car driver and Transporti oncoming drivers. Better illuminate the contours of the road and roadside existing items
Halogen +50/100/120% (with high light output): Filament additional coating provides better illumination 50-120 meters ahead, as well as 50 to 120% brighter light at night. High veikspējas halogen with extended lifetime"



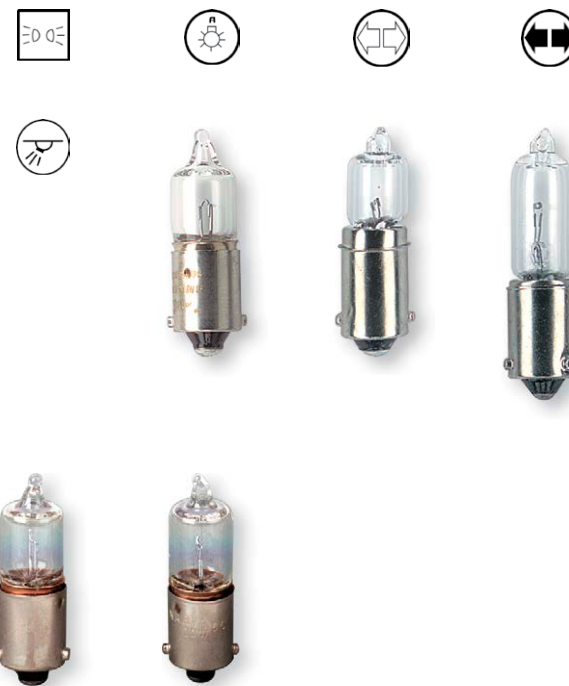
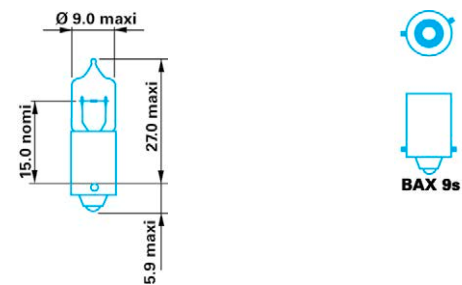
Bulbs

Processing Information

- "* Halogen car bulbs with 100 watts or more are prohibited from use on public roads!"
- "* All halogen car bulbs are available in packs of 10 pieces!"

Hints

- 100 Watt bulbs are not for use in European public traffic
- LL = Long Life
- +50% = 50% more light



Title	Type Of Vehicle Lamp	Lamp version	Voltage	Power	Socket	PU Piece	Article No.
Halogen lamp	-	-	12 V	5 W	BA 9s	10	112938
Halogen lamp	-	-	12 V	6 W	BAX 9s	10	144007
Halogen lamp	-	Longlife	12 V	6 W	BAX 9s	10	144006
Halogen lamp	-	-	12 V	10 W	BA 9s	10	144012
Halogen lamp	-	-	12 V	20 W	BA 9s	10	144359
Halogen lamp	-	-	12 V	21 W	BAY 9s	10	165189

AGR: 12.430

Halogen Bulbs H8 12V

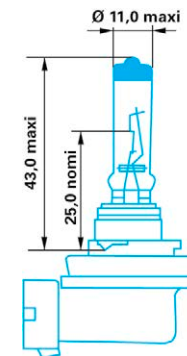
- "Higher atmosphere pressure contact base provides less filament Burning - follows - longer life!
- Xenon gas impurity (only LL, HD, HDLL, HQ and HQLL lamps) provide better light output - as follows - better visibility and safety on the road!"

Application Area

- Headlight

Characteristics

- "Standard halogen: Gas filling - 100% krypton gas, gas pressure - 11 atmospheric standard filament glass glass wall thickness: 1.0 mm
Halogen LL (Longlife) to extend the lifetime of gas filling - 20% Xenon / Krypton 80%, gas pressure - 14 atmospheric, high-quality tungsten filament, glass plinth wall thickness: 1.2 mm
Halogen HD (Heavy Duty), hardened: Gas filling - 20% Xenon / Krypton 80%, gas pressure - 14 atmospheric, high-quality tungsten filament with additional shock absorbing mounts, glass plinth wall thickness: 1.2 mm
Halogen HDLL (Heavy Duty Longlife), with an extended service life and increased durability: Gas filling - 20% Xenon / Krypton 80%, gas pressure - 15 atmospheric, high-quality tungsten filament with extra cushioning mounting plinth glass wall thickness: 1.2 mm
Halogen HQ (Premium HQ): Similar LL lamps were used in glass - made of special quartz glass
Halogen HQLL (Premium HQ Longlife) Similarly HQ halogen lamps, only with a higher gas pressure: 16 atmosphere
Halogen CB (Cool Blue) The blue-white, high contrast light, it is easier visible to both the car driver and Trasporti oncoming drivers. Better illuminate the contours of the road and roadside existing items
Halogen +50/100/120% (with high light output): Filament additional coating provides better illumination 50-120 meters ahead, as well as 50 to 120% brighter light at night. High veikspējas halogen with extended lifetime"



Processing Information

- "* Halogen car bulbs with 100 watts or more are prohibited from use on public roads!
* All halogen car bulbs are available in packs of 10 pieces!"

Halogen Bulbs H9 12V

- "Higher atmosphere pressure contact base provides less filament Burning - follows - longer life!"
- Xenon gas impurity (only LL, HD, HDLL, HQ and HQLL lamps) provide better light output - as follows - better visibility and safety on the road!"

Application Area

- Headlight

Characteristics

- "Standard halogen: Gas filling - 100% krypton gas, gas pressure - 11 atmospheric standard filament glass wall thickness: 1.0 mm

Halogen LL (Longlife) to extend the lifetime of gas filling - 20% Xenon / Krypton 80%, gas pressure - 14 atmospheric, high-quality tungsten filament, glass plinth wall thickness: 1.2 mm

Halogen HD (Heavy Duty), hardened: Gas filling - 20% Xenon / Krypton 80%, gas pressure - 14 atmospheric, high-quality tungsten filament with additional shock absorbing mounts, glass plinth wall thickness: 1.2 mm

Halogen HDLL (Heavy Duty Longlife), with an extended service life and increased durability: Gas filling - 20% Xenon / Krypton 80%, gas pressure - 15 atmospheric, high-quality tungsten filament with extra cushioning

mounting plinth glass wall thickness: 1.2 mm

Halogen HQ (Premium HQ): Similar LL lamps were used in glass - made of special quartz glass

Halogen HQLL (Premium HQ Longlife) Similarly HQ halogen lamps, only with a higher gas pressure: 16 atmosphere

Halogen CB (Cool Blue) The blue-white, high contrast light, it is easier

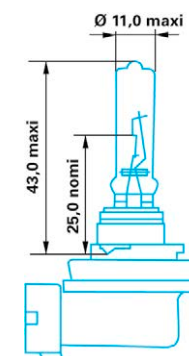
visible to both the car driver and Transporti oncoming drivers. Better illuminate the contours of the road and roadside existing items

Halogen +50/100/120% (with high light output): Filament additional coating provides better illumination 50-120 meters ahead, as well as 50 to 120% brighter light at night. High veikspējas halogen with extended lifetime"

Processing Information

- "* Halogen car bulbs with 100 watts or more are prohibited from use on public roads!

* All halogen car bulbs are available in packs of 10 pieces!"



Žarówka halogenowa H10 12V

- ""Higher atmosphere pressure contact base provides less filament Burning - follows - longer life!
- Xenon gas impurity (only LL, HD, HDLL, HQ and HQLL lamps) provide better light output - as follows - better visibility and safety on the road!""

Application Area

- Headlight

Characteristics

- "Standard halogen: Gas filling - 100% krypton gas, gas pressure - 11 atmospheric standard filament glass glass wall thickness: 1.0 mm
Halogen LL (Longlife) to extend the lifetime of gas filling - 20% Xenon / Krypton 80%, gas pressure - 14 atmospheric, high-quality tungsten filament, glass plinth wall thickness: 1.2 mm
Halogen HD (Heavy Duty), hardened: Gas filling - 20% Xenon / Krypton 80%, gas pressure - 14 atmospheric, high-quality tungsten filament with additional shock absorbing mounts, glass plinth wall thickness: 1.2 mm
Halogen HDLL (Heavy Duty Longlife), with an extended service life and increased durability: Gas filling - 20% Xenon / Krypton 80%, gas pressure - 15 atmospheric, high-quality tungsten filament with extra cushioning mounting plinth glass wall thickness: 1.2 mm
Halogen HQ (Premium HQ): Similar LL lamps were used in glass - made of special quartz glass
Halogen HQLL (Premium HQ Longlife) Similarly HQ halogen lamps, only with a higher gas pressure: 16 atmosphere
Halogen CB (Cool Blue) The blue-white, high contrast light, it is easier visible to both the car driver and Trasporti oncoming drivers. Better illuminate the contours of the road and roadside existing items
Halogen +50/100/120% (with high light output): Filament additional coating provides better illumination 50-120 meters ahead, as well as 50 to 120% brighter light at night. High veikspējas halogen with extended lifetime"



Bulbs

Processing Information

- "* Halogen car bulbs with 100 watts or more are prohibited from use on public roads!
* All halogen car bulbs are available in packs of 10 pieces!"

Hints

- 100 Watt bulbs are not for use in European public traffic
- LL = Long Life
- +50% = 50% more light

Title	Type Of Vehicle Lamp	Voltage	Power	Socket	PU Piece	Article No.
Żarówka halogenowa H10	H 10	12 V	42 W	PGJ 19-3	1/10	187541

AGR: 12.430

Halogen Bulbs H11 12V

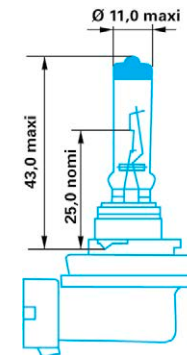
- "Higher atmosphere pressure contact base provides less filament Burning - follows - longer life!
- Xenon gas impurity (only LL, HD, HDLL, HQ and HQLL lamps) provide better light output - as follows - better visibility and safety on the road!"

Application Area

- Headlight

Characteristics

- "Standard halogen: Gas filling - 100% krypton gas, gas pressure - 11 atmospheric standard filament glass glass wall thickness: 1.0 mm
Halogen LL (Longlife) to extend the lifetime of gas filling - 20% Xenon / Krypton 80%, gas pressure - 14 atmospheric, high-quality tungsten filament, glass plinth wall thickness: 1.2 mm
Halogen HD (Heavy Duty), hardened: Gas filling - 20% Xenon / Krypton 80%, gas pressure - 14 atmospheric, high-quality tungsten filament with additional shock absorbing mounts, glass plinth wall thickness: 1.2 mm
Halogen HDLL (Heavy Duty Longlife), with an extended service life and increased durability: Gas filling - 20% Xenon / Krypton 80%, gas pressure - 15 atmospheric, high-quality tungsten filament with extra cushioning mounting plinth glass wall thickness: 1.2 mm
Halogen HQ (Premium HQ): Similar LL lamps were used in glass - made of special quartz glass
Halogen HQLL (Premium HQ Longlife) Similarly HQ halogen lamps, only with a higher gas pressure: 16 atmosphere
Halogen CB (Cool Blue) The blue-white, high contrast light, it is easier visible to both the car driver and Trasporti oncoming drivers. Better illuminate the contours of the road and roadside existing items
Halogen +50/100/120% (with high light output): Filament additional coating provides better illumination 50-120 meters ahead, as well as 50 to 120% brighter light at night. High veikspējas halogen with extended lifetime"



Processing Information

- "* Halogen car bulbs with 100 watts or more are prohibited from use on public roads!
* All halogen car bulbs are available in packs of 10 pieces!"

Halogen Bulbs H16 12V

- "Higher atmosphere pressure contact base provides less filament Burning - follows - longer life!
- Xenon gas impurity (only LL, HD, HDLL, HQ and HQLL lamps) provide better light output - as follows - better visibility and safety on the road!"

Application Area

- Headlight

Characteristics

- "Standard halogen: Gas filling - 100% krypton gas, gas pressure - 11 atmospheric standard filament glass glass wall thickness: 1.0 mm
Halogen LL (Longlife) to extend the lifetime of gas filling - 20% Xenon / Krypton 80%, gas pressure - 14 atmospheric, high-quality tungsten filament, glass plinth wall thickness: 1.2 mm
Halogen HD (Heavy Duty), hardened: Gas filling - 20% Xenon / Krypton 80%, gas pressure - 14 atmospheric, high-quality tungsten filament with additional shock absorbing mounts, glass plinth wall thickness: 1.2 mm
Halogen HDLL (Heavy Duty Longlife), with an extended service life and increased durability: Gas filling - 20% Xenon / Krypton 80%, gas pressure - 15 atmospheric, high-quality tungsten filament with extra cushioning mounting plinth glass wall thickness: 1.2 mm
Halogen HQ (Premium HQ): Similar LL lamps were used in glass - made of special quartz glass
Halogen HQLL (Premium HQ Longlife) Similarly HQ halogen lamps, only with a higher gas pressure: 16 atmosphere
Halogen CB (Cool Blue) The blue-white, high contrast light, it is easier visible to both the car driver and Trasporti oncoming drivers. Better illuminate the contours of the road and roadside existing items
Halogen +50/100/120% (with high light output): Filament additional coating provides better illumination 50-120 meters ahead, as well as 50 to 120% brighter light at night. High veikspējas halogen with extended lifetime"

Processing Information

- "* Halogen car bulbs with 100 watts or more are prohibited from use on public roads!
* All halogen car bulbs are available in packs of 10 pieces!"



Halogen Bulbs HIR2 12V

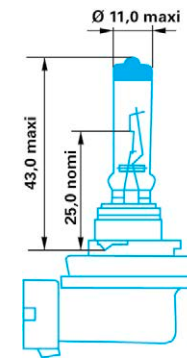
- "Higher atmosphere pressure contact base provides less filament Burning - follows - longer life!
- Xenon gas impurity (only LL, HD, HDLL, HQ and HQLL lamps) provide better light output - as follows - better visibility and safety on the road!"

Application Area

- Headlight

Characteristics

- "Standard halogen: Gas filling - 100% krypton gas, gas pressure - 11 atmospheric standard filament glass glass wall thickness: 1.0 mm
Halogen LL (Longlife) to extend the lifetime of gas filling - 20% Xenon / Krypton 80%, gas pressure - 14 atmospheric, high-quality tungsten filament, glass plinth wall thickness: 1.2 mm
Halogen HD (Heavy Duty), hardened: Gas filling - 20% Xenon / Krypton 80%, gas pressure - 14 atmospheric, high-quality tungsten filament with additional shock absorbing mounts, glass plinth wall thickness: 1.2 mm
Halogen HDLL (Heavy Duty Longlife), with an extended service life and increased durability: Gas filling - 20% Xenon / Krypton 80%, gas pressure - 15 atmospheric, high-quality tungsten filament with extra cushioning mounting plinth glass wall thickness: 1.2 mm
Halogen HQ (Premium HQ): Similar LL lamps were used in glass - made of special quartz glass
Halogen HQLL (Premium HQ Longlife) Similarly HQ halogen lamps, only with a higher gas pressure: 16 atmosphere
Halogen CB (Cool Blue) The blue-white, high contrast light, it is easier visible to both the car driver and Trasporti oncoming drivers. Better illuminate the contours of the road and roadside existing items
Halogen +50/100/120% (with high light output): Filament additional coating provides better illumination 50-120 meters ahead, as well as 50 to 120% brighter light at night. High veikspējas halogen with extended lifetime"



Processing Information

- "* Halogen car bulbs with 100 watts or more are prohibited from use on public roads!
* All halogen car bulbs are available in packs of 10 pieces!"

Halogen Bulbs HB1 12V

- "Higher atmosphere pressure contact base provides less filament Burning - follows - longer life!
- Xenon gas impurity (only LL, HD, HDLL, HQ and HQLL lamps) provide better light output - as follows - better visibility and safety on the road!"

Application Area

- Headlight

Characteristics

- "Standard halogen: Gas filling - 100% krypton gas, gas pressure - 11 atmospheric standard filament glass wall thickness: 1.0 mm
Halogen LL (Longlife) to extend the lifetime of gas filling - 20% Xenon / Krypton 80%, gas pressure - 14 atmospheric, high-quality tungsten filament, glass plinth wall thickness: 1.2 mm
Halogen HD (Heavy Duty), hardened: Gas filling - 20% Xenon / Krypton 80%, gas pressure - 14 atmospheric, high-quality tungsten filament with additional shock absorbing mounts, glass plinth wall thickness: 1.2 mm
Halogen HDLL (Heavy Duty Longlife), with an extended service life and increased durability: Gas filling - 20% Xenon / Krypton 80%, gas pressure - 15 atmospheric, high-quality tungsten filament with extra cushioning mounting plinth glass wall thickness: 1.2 mm
Halogen HQ (Premium HQ): Similar LL lamps were used in glass - made of special quartz glass
Halogen HQLL (Premium HQ Longlife) Similarly HQ halogen lamps, only with a higher gas pressure: 16 atmosphere
Halogen CB (Cool Blue) The blue-white, high contrast light, it is easier visible to both the car driver and Trasporti oncoming drivers. Better illuminate the contours of the road and roadside existing items
Halogen +50/100/120% (with high light output): Filament additional coating provides better illumination 50-120 meters ahead, as well as 50 to 120% brighter light at night. High veikspējas halogen with extended lifetime"

Processing Information

- "* Halogen car bulbs with 100 watts or more are prohibited from use on public roads!
* All halogen car bulbs are available in packs of 10 pieces!"



Halogen Bulbs HB3 12V

- "Higher atmosphere pressure contact base provides less filament Burning - follows - longer life!
- Xenon gas impurity (only LL, HD, HDLL, HQ and HQLL lamps) provide better light output - as follows - better visibility and safety on the road!"

Application Area

- Headlight

Characteristics

- "Standard halogen: Gas filling - 100% krypton gas, gas pressure - 11 atmospheric standard filament glass glass wall thickness: 1.0 mm

Halogen LL (Longlife) to extend the lifetime of gas filling - 20% Xenon / Krypton 80%, gas pressure - 14 atmospheric, high-quality tungsten filament, glass plinth wall thickness: 1.2 mm

Halogen HD (Heavy Duty), hardened: Gas filling - 20% Xenon / Krypton 80%, gas pressure - 14 atmospheric, high-quality tungsten filament with additional shock absorbing mounts, glass plinth wall thickness: 1.2 mm

Halogen HDLL (Heavy Duty Longlife), with an extended service life and increased durability: Gas filling - 20% Xenon / Krypton 80%, gas pressure - 15 atmospheric, high-quality tungsten filament with extra cushioning

mounting plinth glass wall thickness: 1.2 mm

Halogen HQ (Premium HQ): Similar LL lamps were used in glass - made of special quartz glass

Halogen HQLL (Premium HQ Longlife) Similarly HQ halogen lamps, only with a higher gas pressure: 16 atmosphere

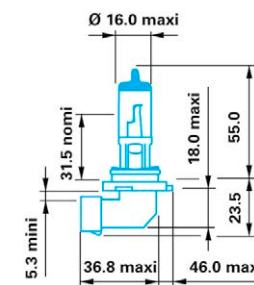
Halogen CB (Cool Blue) The blue-white, high contrast light, it is easier

visible to both the car driver and Trasporti oncoming drivers. Better illuminate the contours of the road and roadside existing items

Halogen +50/100/120% (with high light output): Filament additional coating provides better illumination 50-120 meters ahead, as well as 50 to 120% brighter light at night. High veikspējas halogen with extended lifetime"

Processing Information

- "* Halogen car bulbs with 100 watts or more are prohibited from use on public roads!
* All halogen car bulbs are available in packs of 10 pieces!"



Halogen Bulbs HB4 12V

- "Higher atmosphere pressure contact base provides less filament Burning - follows - longer life!
- Xenon gas impurity (only LL, HD, HDLL, HQ and HQLL lamps) provide better light output - as follows - better visibility and safety on the road!"

Application Area

- Headlight

Characteristics

- "Standard halogen: Gas filling - 100% krypton gas, gas pressure - 11 atmospheric standard filament glass wall thickness: 1.0 mm

Halogen LL (Longlife) to extend the lifetime of gas filling - 20% Xenon / Krypton 80%, gas pressure - 14 atmospheric, high-quality tungsten filament, glass plinth wall thickness: 1.2 mm

Halogen HD (Heavy Duty), hardened: Gas filling - 20% Xenon / Krypton 80%, gas pressure - 14 atmospheric, high-quality tungsten filament with additional shock absorbing mounts, glass plinth wall thickness: 1.2 mm

Halogen HDLL (Heavy Duty Longlife), with an extended service life and increased durability: Gas filling - 20% Xenon / Krypton 80%, gas pressure - 15 atmospheric, high-quality tungsten filament with extra cushioning

mounting plinth glass wall thickness: 1.2 mm

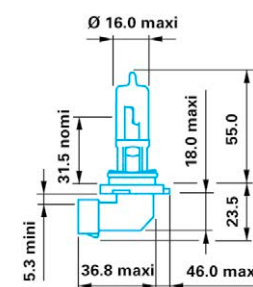
Halogen HQ (Premium HQ): Similar LL lamps were used in glass - made of special quartz glass

Halogen HQLL (Premium HQ Longlife) Similarly HQ halogen lamps, only with a higher gas pressure: 16 atmosphere

Halogen CB (Cool Blue) The blue-white, high contrast light, it is easier

visible to both the car driver and Transporti oncoming drivers. Better illuminate the contours of the road and roadside existing items

Halogen +50/100/120% (with high light output): Filament additional coating provides better illumination 50-120 meters ahead, as well as 50 to 120% brighter light at night. High veikspējas halogen with extended lifetime"



Processing Information

- "* Halogen car bulbs with 100 watts or more are prohibited from use on public roads!
* All halogen car bulbs are available in packs of 10 pieces!"

Hints

- 100 Watt bulbs are not for use in European public traffic
- LL = Long Life
- +50% = 50% more light

Title	Type Of Vehicle Lamp	Voltage	Power	Socket	PU Piece	Article No.
Halogen lamp	HB 4	12 V	51 W	P 22d	1/10	144003

AGR: 12.430

Halogen Bulbs HB5 12V

- "Higher atmosphere pressure contact base provides less filament Burning - follows - longer life!
- Xenon gas impurity (only LL, HD, HDLL, HQ and HQLL lamps) provide better light output - as follows - better visibility and safety on the road!"

Application Area

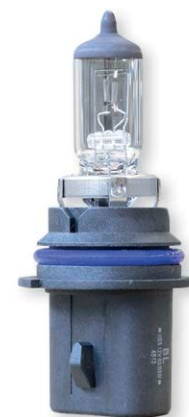
- Headlight

Characteristics

- "Standard halogen: Gas filling - 100% krypton gas, gas pressure - 11 atmospheric standard filament glass glass wall thickness: 1.0 mm
Halogen LL (Longlife) to extend the lifetime of gas filling - 20% Xenon / Krypton 80%, gas pressure - 14 atmospheric, high-quality tungsten filament, glass plinth wall thickness: 1.2 mm
Halogen HD (Heavy Duty), hardened: Gas filling - 20% Xenon / Krypton 80%, gas pressure - 14 atmospheric, high-quality tungsten filament with additional shock absorbing mounts, glass plinth wall thickness: 1.2 mm
Halogen HDLL (Heavy Duty Longlife), with an extended service life and increased durability: Gas filling - 20% Xenon / Krypton 80%, gas pressure - 15 atmospheric, high-quality tungsten filament with extra cushioning mounting plinth glass wall thickness: 1.2 mm
Halogen HQ (Premium HQ): Similar LL lamps were used in glass - made of special quartz glass
Halogen HQLL (Premium HQ Longlife) Similarly HQ halogen lamps, only with a higher gas pressure: 16 atmosphere
Halogen CB (Cool Blue) The blue-white, high contrast light, it is easier visible to both the car driver and Trasporti oncoming drivers. Better illuminate the contours of the road and roadside existing items
Halogen +50/100/120% (with high light output): Filament additional coating provides better illumination 50-120 meters ahead, as well as 50 to 120% brighter light at night. High veikspējas halogen with extended lifetime"

Processing Information

- "* Halogen car bulbs with 100 watts or more are prohibited from use on public roads!
* All halogen car bulbs are available in packs of 10 pieces!"



Halogen Bulbs PGJ 13

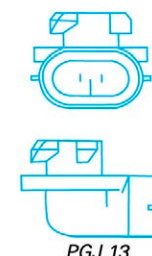
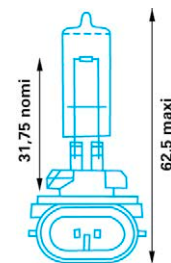
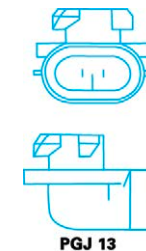
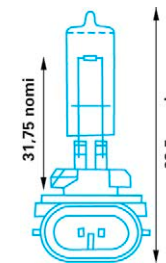
- "Higher atmosphere pressure contact base provides less filament Burning - follows - longer life!"
- Xenon gas impurity (only LL, HD, HDLL, HQ and HQLL lamps) provide better light output - as follows - better visibility and safety on the road!"

Application Area

- Headlight

Characteristics

- Standard halogen: Gas filling - 100% krypton gas, gas pressure - 11 atmospheric standard filament glass glass wall thickness: 1.0 mm
Halogen LL (Longlife) to extend the lifetime of gas filling - 20% Xenon / Krypton 80%, gas pressure - 14 atmospheric, high-quality tungsten filament, glass plinth wall thickness: 1.2 mm
Halogen HD (Heavy Duty), hardened: Gas filling - 20% Xenon / Krypton 80%, gas pressure - 14 atmospheric, high-quality tungsten filament with additional shock absorbing mounts, glass plinth wall thickness: 1.2 mm
Halogen HDLL (Heavy Duty Longlife), with an extended service life and increased durability: Gas filling - 20% Xenon / Krypton 80%, gas pressure - 15 atmospheric, high-quality tungsten filament with extra cushioning mounting plinth glass wall thickness: 1.2 mm
Halogen HQ (Premium HQ): Similar LL lamps were used in glass - made of special quartz glass
Halogen HQLL (Premium HQ Longlife) Similarly HQ halogen lamps, only with a higher gas pressure: 16 atmosphere
Halogen CB (Cool Blue) The blue-white, high contrast light, it is easier visible to both the car driver and Trasporti oncoming drivers. Better illuminate the contours of the road and roadside existing items
Halogen +50/100/120% (with high light output): Filament additional coating provides better illumination 50-120 meters ahead, as well as 50 to 120% brighter light at night. High veikspējas halogen with extended lifetime



Processing Information

- "* Halogen car bulbs with 100 watts or more are prohibited from use on public roads!
* All halogen car bulbs are available in packs of 10 pieces!"

Halogen Lamp H15 12 V

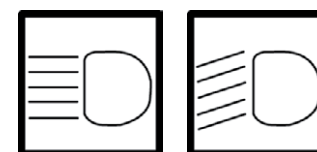
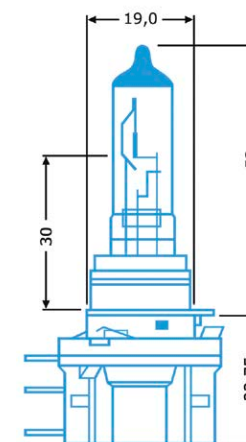
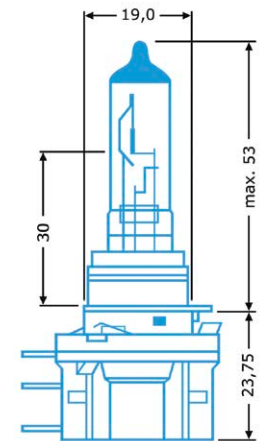
- "Higher atmosphere pressure contact base provides less filament Burning - follows - longer life!"
- Xenon gas impurity (only LL, HD, HDLL, HQ and HQLL lamps) provide better light output - as follows - better visibility and safety on the road!"

Application Area

- VW Golf 6
- Audi A5, A6, Q7

Characteristics

- "Standard halogen: Gas filling - 100% krypton gas, gas pressure - 11 atmospheric standard filament glass glass wall thickness: 1.0 mm
Halogen LL (Longlife) to extend the lifetime of gas filling - 20% Xenon / Krypton 80%, gas pressure - 14 atmospheric, high-quality tungsten filament, glass plinth wall thickness: 1.2 mm
Halogen HD (Heavy Duty), hardened: Gas filling - 20% Xenon / Krypton 80%, gas pressure - 14 atmospheric, high-quality tungsten filament with additional shock absorbing mounts, glass plinth wall thickness: 1.2 mm
Halogen HDLL (Heavy Duty Longlife), with an extended service life and increased durability: Gas filling - 20% Xenon / Krypton 80%, gas pressure - 15 atmospheric, high-quality tungsten filament with extra cushioning mounting plinth glass wall thickness: 1.2 mm
Halogen HQ (Premium HQ): Similar LL lamps were used in glass - made of special quartz glass
Halogen HQLL (Premium HQ Longlife) Similarly HQ halogen lamps, only with a higher gas pressure: 16 atmosphere
Halogen CB (Cool Blue) The blue-white, high contrast light, it is easier visible to both the car driver and Trasporti oncoming drivers. Better illuminate the contours of the road and roadside existing items
Halogen +50/100/120% (with high light output): Filament additional coating provides better illumination 50-120 meters ahead, as well as 50 to 120% brighter light at night. High veikspējas halogen with extended lifetime"



Processing Information

- "* Halogen car bulbs with 100 watts or more are prohibited from use on public roads!"

Socket BA 7s / Parking light bulbs

Application Area

- Parking lights
- Brake light
- Taillight
- Indicator
- License Plate Lights
- Trunk light



BA 7s



340618
01

No.	Title	Voltage	Power	Socket	PU Piece	Article No.
01	Bulb	12 V	2 W	BA 7s	10	340618

AGR: 12.431

Socket BA 9s

Application Area

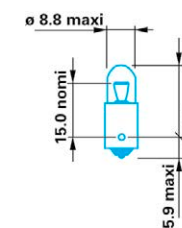
- Parking lights
- Brake light
- Taillight
- Indicator
- License Plate Lights
- Trunk light



BA 9s



BA 9s



180009
01



179973
02

No.	Title	Voltage	Power	Socket	PU Piece	Article No.
01	Sphere Bulb	12 V	2 W	BA 9s	10	180009
02	Sphere Bulb	12 V	4 W	BA 9s	10	179973

AGR: 12.431

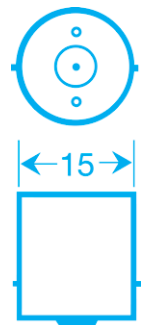
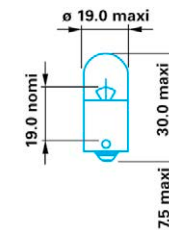
Socket BA 15s

Application Area

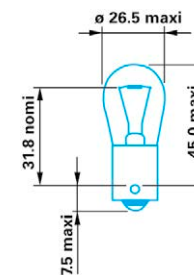
- Parking lights
- Brake light
- Taillight
- Indicator
- License Plate Lights
- Trunk light



BA 15s



BA15s



Bulbs



154120
01

148327
02

154121
03

040993
04

195570
05

154148
06

148325
07

171082
08

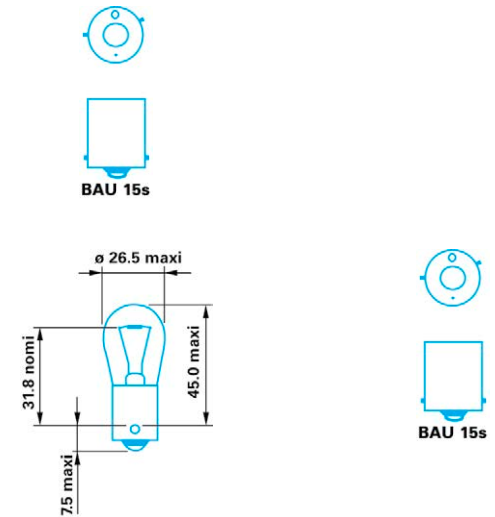
No.	Title	Lamp version	Voltage	Power	Socket	PU Piece	Article No.
01	Sphere Bulb	-	12 V	5 W	BA 15s	10	154120
02	Sphere Bulb	Longlife	12 V	5 W	BA 15s	10	148327
03	Sphere Bulb	-	12 V	10 W	BA 15s	10	154121
04	Sphere Bulb	Longlife	12 V	10 W	BA 15s	10	040993
05	Sphere Bulb	-	12 V	18 W	BA 15s	10	195570
06	Sphere Bulb	-	12 V	21 W	BA 15s	10/30	154148
07	Sphere Bulb	Longlife	12 V	21 W	BA 15s	10	148325
08	Sphere Bulb	-	12 V	21 W	BA 15s	10	171082

AGR: 12.431

Socket BAU 15s

Application Area

- Parking lights
- Brake light
- Taillight
- Indicator
- License Plate Lights
- Trunk light



154156
01

No.	Title	Voltage	Power	Socket	PU Piece	Article No.
01	BULB 12V/21W BAU15S ORANGE E1	12 V	21 W	BAU 15s	10	154156

AGR: 12.431

INTERNAL/Approved (2019-03-22 21:08:31)

Socket BAZ 15 D

Application Area

- Parking lights
- Brake light
- Taillight
- Indicator
- License Plate Lights
- Trunk light



154122
01

No.	Title	Voltage	Power	Socket	PU Piece	Article No.
01	BULB 12V 21/4W BAZ15D E1	12 V	21 / 4 W	BAZ 15d	10	154122

AGR: 12.431

Base BAW 15 D



216492
01

No.	Title	Voltage	Power	Socket	PU Piece	Article No.
01	BULB 12V 21/5W BAW15D ROT	12 V	21 / 5 W	BAW 15D	10	216492

AGR: 12.431

Base BAW 15 S

216493
01

No.	Title	Voltage	Power	Socket	PU Piece	Article No.
01	BULB 12V 21W BAW15S RED	12 V	21 W	BAW 15S	10	216493

AGR: 12.431

Socket BAY 15 D

Application Area

- Parking lights
- Brake light
- Taillight
- Indicator
- License Plate Lights
- Trunk light



BAY 15d



154118
01



148324
02



057881
03

No.	Title	Voltage	Power	Socket	PU Piece	Article No.
01	BULB 12V / 21 / 5W BAY15D E1	12 V	21 / 5 W	BAY 15d	10/30	154118
02	Sphere Bulb LL	12 V	21 / 5 W	BAY 15d	10	148324
03	Socket Bay 15 D	12 V	21 / 5 W	BAY 15d	10	057881

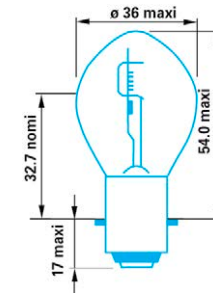
AGR: 12.431

INTERNAL/Approved (2019-03-22 21:08:52)

Socket BA 20d

Application Area

- Parking lights
- Brake light
- Taillight
- Indicator
- License Plate Lights
- Trunk light



195588
01



912083
02

No.	Title	Voltage	Power	Socket	PU Piece	Article No.
01	Żarówka kulista symetryczna	12 V	35 / 35 W	BA 20d	10	195588
02	Żarówka asymetryczna	12 V	45 / 40 W	BA 20d	10	912083

AGR: 12.431

Socket P 45t

Application Area

- Parking lights
- Brake light
- Taillight
- Indicator
- License Plate Lights
- Trunk light



179914
01

No.	Title	Voltage	Power	Socket	PU Piece	Article No.
01	Sphere Bulb	12 V	45 / 40 W	P 45t	10	179914

AGR: 12.431

Festoon Bulb 12 V

Application Area

- Passenger compartment lights
- Trunk lights
- License plate lights
- Glove box lights

Hints

- Declared length dimension +/- 1 mm tolerance



No.	Title	Voltage	Power	Socket	Ø	Length	PU Piece	Article No.
01	Festoon Bulb	12 V	3 W	SV 7	8 mm	31 mm	10	368067
02	Festoon Bulb	12 V	5 W	SV 8,5	10.5 mm	31 mm	10	632813
03	Festoon Bulb	12 V	5 W	SV 8,5	10.5 mm	38 mm	10	179949
04	Festoon Bulb	12 V	5 W	SV 8,5	10.5 mm	44 mm	10	827533
05	Festoon Bulb	12 V	10 W	SV 8,5	10.5 mm	31 mm	10	184284
06	Festoon Bulb	12 V	10 W	SV 8,5	10.5 mm	38 mm	10	144362
07	Festoon Bulb	12 V	10 W	SV 8,5	11.5 mm	44 mm	10	179957
08	FLASH A.BRAKE L FEST 12V 15W	12 V	15 W	SV 8,5	11 mm	40 mm	10	060610
09	Festoon Bulb	12 V	18 W	SV 8,5	15 mm	44 mm	10	179850
10	Festoon Bulb	12 V	21 W	SV 8,5	15 mm	44 mm	10	558931

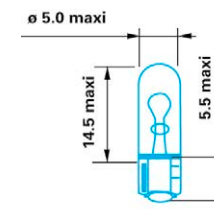
AGR: 12.432

Socket W 2 x 4.6 d

- Versatile (flashing light, parking light, interior lightning, license plate light, dash lights...)

Application Area

- Turn signals, parking lights, interior lights, license plate lights, dash lights



190012
01



741256
02



166935
03



166932
04



166931
05



092402
06



010358
07

No.	Title	Power	Bulb color	Socket	Voltage	PU Piece	Article No.
01	Wedge Base Bulb	1.2 W	-	W 2 x 4,6d	12 V	10/30	190012
02	Wedge Base Bulb	1.2 W	-	W 2 x 4,6d	12 V	10	741256
03	Wedge Base Bulb	3 W	-	W 2 x 4,6d	12 V	10	166935
04	GLASS PL.-LA BL12V/1.2WW2X4.6D	1.2 W	Blue	W 2 x 4,6d	12 V	10	166932
05	GLASS PL.-LA GN12V/1.2WW2X4.6D	1.2 W	Green	W 2 x 4,6d	12 V	10	166931
06	LED.WB.LAMP 12V W2X4,6D	1.2 W	-	W 2 x 4,6d	12 V	10	092402
07	WEDGE BASE 12V/2W W2X4,6D	2 W	-	W 2 x 4,6d	12 V	10	010358

AGR: 12.433

Socket W 2.1 x 9.5 d

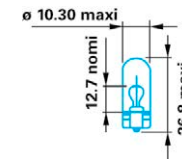
- Turn signals, parking lights, interior lights, license plate lights, dash lights

Application Area

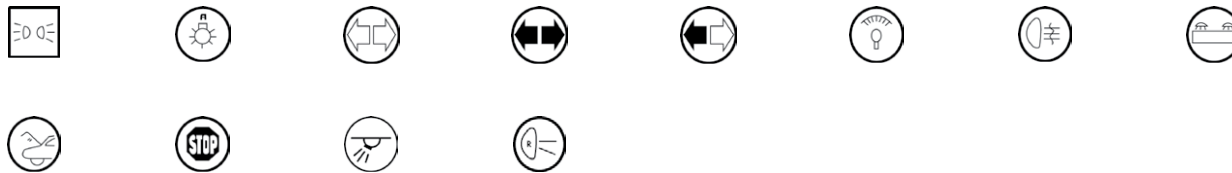
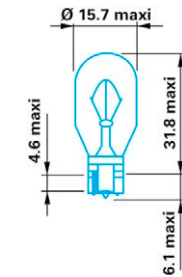
- Turn signals, parking lights, interior lights, license plate lights, dash lights



W 2,1x9,5 d



W 2,1x9,5 d



166933
01

167008
02

144351
03

144342
04

040994
05

144594
06

144353
07

154164
08

154172
09

010309
10

No.	Title	Power	Bulb color	Socket	Voltage	PU Piece	Article No.
01	GLASS PL.-LA BL12V/3WW2.1X9.5D	3 W	Blue	W 2,1 x 9,5d	12 V	10	166933

Socket W 3 x 16 d

- Versatile (flashing light, parking light, interior lightning, license plate light, dash lights...)

Application Area

- Turn signals, parking lights, interior lights, license plate lights, dash lights



144358
01



000581
02



144357
03

No.	Title	Power	Bulb color	Socket	Voltage	PU Piece	Article No.
01	Wedge Base Bulb	21 W	clear	W 3 x 16d	12 V	10	144358
02	Wedge Base Bulb, Orange	21 W	Orange	W 3 x 16d	12 V	10	000581
03	Wedge Base Bulb	21 / 5 W	clear	W 3 x 16q	12 V	10	144357

AGR: 12.433

Without Socket

Application Area

- Turn signals, parking lights, interior lights, license plate lights, dash lights



166934
01

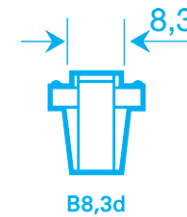
No.	Title	Power	Socket	Voltage	PU Piece	Article No.
01	Wege Base Bulb	1.2 W	Wire	12 V	10	166934

AGR: 12.433

Socket B 8,3d

Application Area

- Interior lighting, instrument panel



113060
01



166862
02

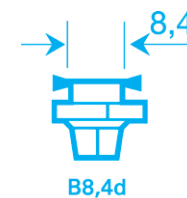
No.	Title	Voltage	Power	Socket	Base color	PU Piece	Article No.
01	Plastic Socket Bulb	12 V	1.2 W	B 8,3d	black	10	113060
02	Plastic Socket Bulb	12 V	2 W	B 8,3d	White	10	166862

AGR: 12.434

Socket B 8.4 d

Application Area

- Interior lighting, instrument panel



166875
01



166878
02

No.	Title	Voltage	Power	Socket	Base color	PU Piece	Article No.
01	Plastic Socket Lamp	12 V	1.2 W	B 8,4d	Blue	10	166875
02	Plastic Socket Lamp	12 V	2 W	B 8,4d	White	10	166878

AGR: 12.434

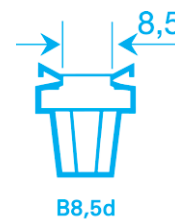
INTERNAL/Approved (2019-03-22 21:09:42)

Bulbs

Socket B 8.5 d

Application Area

- Interior lighting, instrument panel



395536
01



166869
02



368075
03

No.	Title	Voltage	Power	Socket	Base color	PU Piece	Article No.
01	Plastic Socket Bulb	12 V	1.2 W	B 8,5d	black	10	395536
02	Plastic Socket Bulb	12 V	1.5 W	B 8,5d	Brown	10	166869
03	Plastic Socket Bulb	12 V	2 W	B 8,5d	Green	10	368075

AGR: 12.434

Socket BX 2d

Application Area

- Interior lighting, instrument panel



166870
01

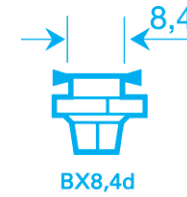
No.	Title	Voltage	Power	Socket	Base color	PU Piece	Article No.
01	Plastic Socket Bulb	12 V	1.2 W	BX 2d	black	10	166870

AGR: 12.434

Socket BX 8.4 d

Application Area

- Interior lighting, instrument panel



169338
01



166874
02



169336
03



144354
04



166876
05

No.	Title	Voltage	Power	Socket	Base color	PU Piece	Article No.
01	Plastic Socket Bulb	12 V	1.1 W	BX 8,4d	Orange	10	169338
02	Plastic Socket Bulb	12 V	1.2 W	BX 8,4d	black	10	166874
03	Plastic Socket Bulb	12 V	1.3 W	BX 8,4d	dark green	10	169336
04	Plastic Socket Bulb	12 V	1.5 W	BX 8,4d	Beige	10	144354
05	Plastic Socket Bulb	12 V	2 W	BX 8,4d	light green	10	166876

AGR: 12.434

Bulbs

Socket BX 8.5 d

Application Area

- Interior lighting, instrument panel



169335
01



166867
02



166864
03



165188
04

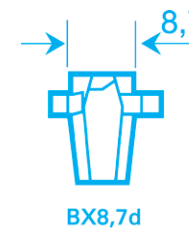
No.	Title	Voltage	Power	Socket	Base color	PU Piece	Article No.
01	Plastic Socket Bulb	12 V	0.36 W	BX 8,5d	Purple	10	169335
02	Plastic Socket Bulb	12 V	1 W	BX 8,5d	Orange	10	166867
03	Plastic Socket Bulb	12 V	1.2 W	BX 8,5d	Blue	10	166864
04	Plastic base lamp	12 V	1.5 W	BX 8,5d	Yellow	10	165188

AGR: 12.434

Socket BX 8.7d / B 8.7 d

Application Area

- Interior lighting, instrument panel



119363
01



119365
02

No.	Title	Voltage	Power	Socket	Base color	PU Piece	Article No.
01	Plastic Socket Bulb	12 V	1.2 W	B 8,7d	Grey	10	119363
02	Plastic Socket Bulb	12 V	2 W	B 8,7d	Green	10	119365

AGR: 12.434

Socket MFHZ

Application Area

- Interior lighting, instrument panel



166891
01

No.	Title	Voltage	Power	Socket	Base color	PU Piece	Article No.
01	Plastic Socket Bulb	12 V	1.2 W	MFHZ	black	10	166891

AGR: 12.434

Socket W 2 x 4.6 d

Application Area

- Dashboard light
- interior light



166927
01

No.	Title	Power	Socket	Voltage	PU Piece	Article No.
01	Plastic Socket Bulb	1.2 W	W 2 x 4,6d	12 V	10	166927

AGR: 12.434

INTERNAL/Approved (2019-03-22 21:10:13)

Socket T 1/4 NW

Application Area

- Interior lighting, instrument panel



166899
01

No.	Title	Voltage	Power	Socket	Base color	PU Piece	Article No.
01	Plastic Socket Bulb	12 V	1.2 W	T 4,2	black	10	166899

AGR: 12.434

Emergency box 12V H7 PREMIUM LINE

Title	PU Piece	Article No.
Emergency Box 12V H7 PREMIUMLINE	1	242670
AGR: 12.437		
Scope Of Supply	Piece	Article No.
Halogen Bulb H7 PREMIUM LINE	1	098188
WB.LAMP 12V/5W W2,1X9,5D E1	1	154172
BULB 12V / 21W BA15S E1	1	154148
BULB 12V / 21/ 5W BAY15D E1	1	154118
BULB 12V/21W BAU15S ORANGE E1	1	154156
Festoon Bulb 12V 5W 38 mm	1	179949
Blade-Type Fuse 10A red mini	1	768456
Blade-Type Fuse 15A light blue mini	1	768464
Blade-Type Fuse 20A yellow mini	1	768472
Blade-Type Fuse 10 A red normal	1	138808
Blade-Type Fuse 15 A light brown normal	1	138809
Blade-Type Fuse 30 A green normal	1	138812



Emergency box 12V H1/H7 PREMIUM LINE

Title	PU Piece	Article No.
Emergency box 12V H1/H7 PREMIUM LINE	1	242671
AGR: 12.437		
Scope Of Supply	Piece	Article No.
Halogen Bulb H1	1	098180
Halogen Bulb H7 PREMIUM LINE	1	098188
WB.LAMP 12V/5W W2,1X9,5D E1	1	154172
BULB 12V / 5W BA15S E1	1	154120
BULB 12V / 21W BA15S E1	1	154148
BULB 12V / 21/ 5W BAY15D E1	1	154118
BULB 12V/21W BAU15S ORANGE E1	1	154156
Blade-Type Fuse 10A red mini	1	768456
Blade-Type Fuse 15A light blue mini	1	768464
Blade-Type Fuse 20A yellow mini	1	768472
Blade-Type Fuse 10 A red normal	1	138808
Blade-Type Fuse 15 A light brown normal	1	138809
Blade-Type Fuse 20 A yellow normal	1	138810



Xenon Bulbs 12 V/24 V

- Compared to halogen bulbs, xenon bulbs are 2.5 times brighter, providing improved illumination
- Xenon bulbs have a life span of 1,500 up to 4,000 hours

Application Area

- Main headlights

Characteristics

- Xenon lamps can be used in the range of 12 V to 24 V
- The source of light consists out of a xenon-glas and metallic salt filled source of light
- Under high voltage, an electric arc gets inflamed during comissioning, which stronly heats up the glass body of the bulb. Trough the heat the gas transforms into bright plasma

Hints

- Xenon bulbs can be fitted in 12V to 24 V headlights
- A xenon-gas and metallic salt illuminant provides the light source
- High voltage creates an arc of light and triggers the heating of the glass body of the bulb. The gas turns into a brightly glowing plasma



243480
01

243479
02

243482
03

243481
04

000996
05

000998
06

040995
07

Bulbs



040996
08

No.	Title	Type Of Vehicle Lamp	Voltage	Power	Socket	Color temperature	Max. light output	PU Piece	Article No.
01	Xenon Bulb	D4S	42 V	35 W	P 32d-5	4200 K	3200 lm	1	243480
02	Xenon Bulb	D4R	42 V	35 W	P 32d-6	4200 K	2800 lm	1	243479
03	Xenon Bulb	D3S	42 V	35 W	PK 32d-5	4150 K	3200 lm	1	243482
04	Xenon Bulb	D3R	42 V	35 W	PK 32d-6	4150 K	2800 lm	1	243481
05	Xenon Bulb	D2S	85 V	35 W	P 32d-2	4200 K	3200 lm	1	000996
06	Xenon Bulb	D2R	85 V	35 W	P 32d-3	4200 K	2800 lm	1	000998
07	Xenon Bulb	D1S	85 V	35 W	PK 32d-2	4100 K	3200 lm	1	040995
08	Xenon Bulb	D1R	85 V	35 W	PK 32d-3	4150 K	2800 lm	1	040996

AGR: 12.460

H1

- Higher atmosphere pressure contact base provides less filament Burning - follows - longer life!
- Xenon gas impurity (only LL, HD, HDLL, HQ and HQLL lamps) provide better light output - as follows - better visibility and safety on the road!

Application Area

- Car headlights and heavy machinery

Characteristics

- Standard halogen: Gas filling - 100% krypton gas, gas pressure - 11 atmospheric standard filament glass glass wall thickness: 1.0 mm

Halogen LL (Longlife) to extend the lifetime of gas filling - 20% Xenon / Krypton 80%, gas pressure - 14 atmospheric, high-quality tungsten filament, glass plinth wall thickness: 1.2 mm

Halogen HD (Heavy Duty), hardened: Gas filling - 20% Xenon / Krypton 80%, gas pressure - 14 atmospheric, high-quality tungsten filament with additional shock absorbing mounts, glass plinth wall thickness: 1.2 mm

Halogen HDLL (Heavy Duty Longlife), with an extended service life and increased durability: Gas filling - 20% Xenon / Krypton 80%, gas pressure - 15 atmospheric, high-quality tungsten filament with extra cushioning

mounting plinth glass wall thickness: 1.2 mm

Halogen HQ (Premium HQ): Similar LL lamps were used in glass - made of special quartz glass

Halogen HQLL (Premium HQ Longlife) Similarly HQ halogen lamps, only with a higher gas pressure: 16 atmosphere

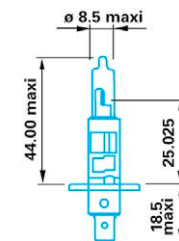
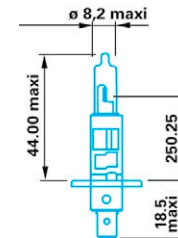
Halogen CB (Cool Blue) The blue-white, high contrast light, it is easier

visible to both the car driver and Trasporti oncoming drivers. Better illuminate the contours of the road and roadside existing items

Halogen +50/100/120% (with high light output): Filament additional coating provides better illumination 50-120 meters ahead, as well as 50 to 120% brighter light at night. High veikspējas halogen with extended lifetime

Processing Information

- * Halogen car bulbs with 100 watts or more are prohibited from use on public roads!
- * All halogen car bulbs are available in packs of 10 pieces!



H2

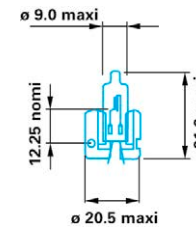
- Higher atmosphere pressure contact base provides less filament Burning - follows - longer life!
- Xenon gas impurity (only LL, HD, HDLL, HQ and HQLL lamps) provide better light output - as follows - better visibility and safety on the road!

Application Area

- Car headlights and heavy machinery

Characteristics

- Standard halogen: Gas filling - 100% krypton gas, gas pressure - 11 atmospheric standard filament glass glass wall thickness: 1.0 mm
Halogen LL (Longlife) to extend the lifetime of gas filling - 20% Xenon / Krypton 80%, gas pressure - 14 atmospheric, high-quality tungsten filament, glass plinth wall thickness: 1.2 mm
Halogen HD (Heavy Duty), hardened: Gas filling - 20% Xenon / Krypton 80%, gas pressure - 14 atmospheric, high-quality tungsten filament with additional shock absorbing mounts, glass plinth wall thickness: 1.2 mm
Halogen HDLL (Heavy Duty Longlife), with an extended service life and increased durability: Gas filling - 20% Xenon / Krypton 80%, gas pressure - 15 atmospheric, high-quality tungsten filament with extra cushioning mounting plinth glass wall thickness: 1.2 mm
Halogen HQ (Premium HQ): Similar LL lamps were used in glass - made of special quartz glass
Halogen HQLL (Premium HQ Longlife) Similarly HQ halogen lamps, only with a higher gas pressure: 16 atmosphere
Halogen CB (Cool Blue) The blue-white, high contrast light, it is easier visible to both the car driver and Trasporti oncoming drivers. Better illuminate the contours of the road and roadside existing items
Halogen +50/100/120% (with high light output): Filament additional coating provides better illumination 50-120 meters ahead, as well as 50 to 120% brighter light at night. High veikspējas halogen with extended lifetime



Processing Information

- * Halogen car bulbs with 100 watts or more are prohibited from use on public roads!
- * All halogen car bulbs are available in packs of 10 pieces!

H3

- Higher atmosphere pressure contact base provides less filament Burning - follows - longer life!
- Xenon gas impurity (only LL, HD, HDLL, HQ and HQLL lamps) provide better light output - as follows - better visibility and safety on the road!

Application Area

- Car headlights and heavy machinery

Characteristics

- Standard halogen: Gas filling - 100% krypton gas, gas pressure - 11 atmospheric standard filament glass glass wall thickness: 1.0 mm

Halogen LL (Longlife) to extend the lifetime of gas filling - 20% Xenon / Krypton 80%, gas pressure - 14 atmospheric, high-quality tungsten filament, glass plinth wall thickness: 1.2 mm

Halogen HD (Heavy Duty), hardened: Gas filling - 20% Xenon / Krypton 80%, gas pressure - 14 atmospheric, high-quality tungsten filament with additional shock absorbing mounts, glass plinth wall thickness: 1.2 mm

Halogen HDLL (Heavy Duty Longlife), with an extended service life and increased durability: Gas filling - 20% Xenon / Krypton 80%, gas pressure - 15 atmospheric, high-quality tungsten filament with extra cushioning

mounting plinth glass wall thickness: 1.2 mm

Halogen HQ (Premium HQ): Similar LL lamps were used in glass - made of special quartz glass

Halogen HQLL (Premium HQ Longlife) Similarly HQ halogen lamps, only with a higher gas pressure: 16 atmosphere

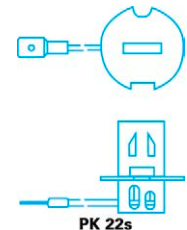
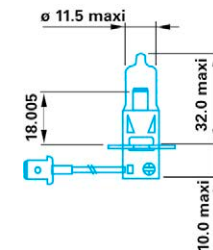
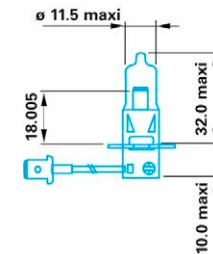
Halogen CB (Cool Blue) The blue-white, high contrast light, it is easier

visible to both the car driver and Transporti oncoming drivers. Better illuminate the contours of the road and roadside existing items

Halogen +50/100/120% (with high light output): Filament additional coating provides better illumination 50-120 meters ahead, as well as 50 to 120% brighter light at night. High veikspējas halogen with extended lifetime

Processing Information

- * Halogen car bulbs with 100 watts or more are prohibited from use on public roads!
- * All halogen car bulbs are available in packs of 10 pieces!



21082 Lamp H3



Title	Type Of Vehicle Lamp	Voltage	Power	Socket	PU Piece	Article No.
LAMP H3 48V-55W	H 3	80 V	55 W	PK 22s	1	021082

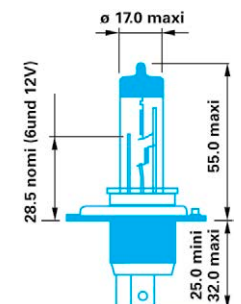
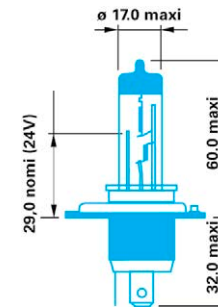
AGR: 12.469

H4

- Higher atmosphere pressure contact base provides less filament Burning - follows - longer life!
- Xenon gas impurity (only LL, HD, HDLL, HQ and HQLL lamps) provide better light output - as follows - better visibility and safety on the road!

Application Area

- Car headlights and heavy machinery



Characteristics

- Standard halogen: Gas filling - 100% krypton gas, gas pressure - 11 atmospheric standard filament glass wall thickness: 1.0 mm
Halogen LL (Longlife) to extend the lifetime of gas filling - 20% Xenon / Krypton 80%, gas pressure - 14 atmospheric, high-quality tungsten filament, glass plinth wall thickness: 1.2 mm
Halogen HD (Heavy Duty), hardened: Gas filling - 20% Xenon / Krypton 80%, gas pressure - 14 atmospheric, high-quality tungsten filament with additional shock absorbing mounts, glass plinth wall thickness: 1.2 mm
Halogen HDLL (Heavy Duty Longlife), with an extended service life and increased durability: Gas filling - 20% Xenon / Krypton 80%, gas pressure - 15 atmospheric, high-quality tungsten filament with extra cushioning mounting plinth glass wall thickness: 1.2 mm
Halogen HQ (Premium HQ): Similar LL lamps were used in glass - made of special quartz glass
Halogen HQLL (Premium HQ Longlife) Similarly HQ halogen lamps, only with a higher gas pressure: 16 atmosphere
Halogen CB (Cool Blue) The blue-white, high contrast light, it is easier visible to both the car driver and Trasporti oncoming drivers. Better illuminate the contours of the road and roadside existing items
Halogen +50/100/120% (with high light output): Filament additional coating provides better illumination 50-120 meters ahead, as well as 50 to 120% brighter light at night. High veikspējas halogen with extended lifetime

Processing Information

- * Halogen car bulbs with 100 watts or more are prohibited from use on public roads!
- * All halogen car bulbs are available in packs of 10 pieces!

Title	Type Of Vehicle Lamp	Lamp version	Voltage	Power	Socket	PU Piece	Article No.
Halogen lamp	H 4	Standard	24 V	75 / 70 W	P 43t	1/10	180041
Halogen lamp	H 4	Heavy Duty	24 V	75 / 70 W	P 43t	1/10	793442
Halogen lamp	H 4	Heavy Duty Longlife	24 V	75 / 70 W	P 43t	1/10/30	011909
Halogen lamp	H 4	Truck Version	24 V	75 / 70 W	P 43t	1/10	025433
Halogen lamp	H 4	PREMIUMline	24 V	75 / 70 W	P 43t	1/10	112457
Halogen lamp	H 4	Heavy Duty Longlife PREMIUMline	24 V	75 / 70 W	P 43t	1/10	112458

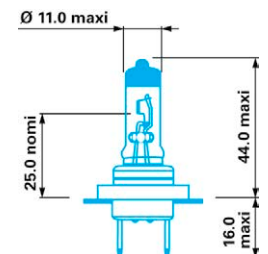
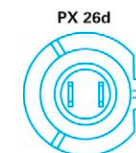
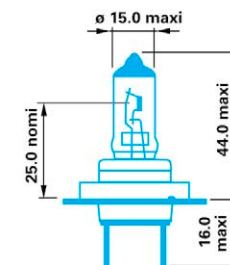
AGR: 12.440

H7

- Higher atmosphere pressure contact base provides less filament Burning - follows - longer life!
- Xenon gas impurity (only LL, HD, HDLL, HQ and HQLL lamps) provide better light output - as follows - better visibility and safety on the road!

Application Area

- Car headlights and heavy machinery



Characteristics

- Standard halogen: Gas filling - 100% krypton gas, gas pressure - 11 atmospheric standard filament glass wall thickness: 1.0 mm
Halogen LL (Longlife) to extend the lifetime of gas filling - 20% Xenon / Krypton 80%, gas pressure - 14 atmospheric, high-quality tungsten filament, glass plinth wall thickness: 1.2 mm
Halogen HD (Heavy Duty), hardened: Gas filling - 20% Xenon / Krypton 80%, gas pressure - 14 atmospheric, high-quality tungsten filament with additional shock absorbing mounts, glass plinth wall thickness: 1.2 mm
Halogen HDLL (Heavy Duty Longlife), with an extended service life and increased durability: Gas filling - 20% Xenon / Krypton 80%, gas pressure - 15 atmospheric, high-quality tungsten filament with extra cushioning mounting plinth glass wall thickness: 1.2 mm
Halogen HQ (Premium HQ): Similar LL lamps were used in glass - made of special quartz glass
Halogen HQLL (Premium HQ Longlife) Similarly HQ halogen lamps, only with a higher gas pressure: 16 atmosphere
Halogen CB (Cool Blue) The blue-white, high contrast light, it is easier visible to both the car driver and Trasporti oncoming drivers. Better illuminate the contours of the road and roadside existing items
Halogen +50/100/120% (with high light output): Filament additional coating provides better illumination 50-120 meters ahead, as well as 50 to 120% brighter light at night. High veikspējas halogen with extended lifetime

Processing Information

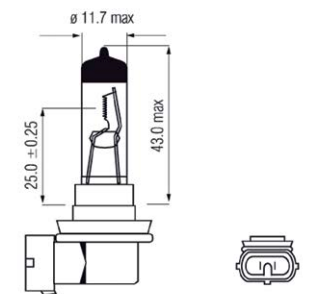
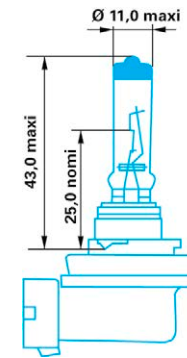
- * Halogen car bulbs with 100 watts or more are prohibited from use on public roads!
- * All halogen car bulbs are available in packs of 10 pieces!

Title	Type Of Vehicle Lamp	Lamp version	Voltage	Power	Socket	PU Piece	Article No.
Halogen lamp	H 7	Standard	24 V	70 W	PX 26d	1/10	121420
Halogen lamp	H 7	Longlife	24 V	70 W	PX 26d	1/30/50/100	172043
Halogen lamp	H 7	PREMIUMline	24 V	70 W	PX 26d	1/10	112475
Halogen lamp	H 7	Heavy Duty	24 V	70 W	PX 26d	1	016563
Halogen lamp	H 7	Heavy Duty Longlife PREMIUMline	24 V	70 W	PX 26d	1/10	112477
Halogen lamp	H 7	Truck Version	24 V	70 W	PX 26d	1/10	020243

AGR: 12.440

Halogen Lamp H11 24V

- Higher gas filling pressure in the vitreous minimizes the burning of the filament - > longer life
- High-quality lamps -> customer satisfaction



Title	Type Of Vehicle Lamp	Voltage	Power	Socket	PU Piece	Article No.
BULB H11 24V/70W PGJ 19-2	H 11	24 V	70 W	PGJ 19-2	1	186712

AGR: 12.440

INTERNAL/Approved (2019-03-22 21:11:11)

Small-Size Halogen Bulb 24 V

- Higher atmosphere pressure contact base provides less filament Burning - follows - longer life!
- Xenon gas impurity (only LL, HD, HDLL, HQ and HQLL lamps) provide better light output - as follows - better visibility and safety on the road!

Application Area

- Car headlights and heavy machinery

Characteristics

- Standard halogen: Gas filling - 100% krypton gas, gas pressure - 11 atmospheric standard filament glass glass wall thickness: 1.0 mm

Halogen LL (Longlife) to extend the lifetime of gas filling - 20% Xenon / Krypton 80%, gas pressure - 14 atmospheric, high-quality tungsten filament, glass plinth wall thickness: 1.2 mm

Halogen HD (Heavy Duty), hardened: Gas filling - 20% Xenon / Krypton 80%, gas pressure - 14 atmospheric, high-quality tungsten filament with additional shock absorbing mounts, glass plinth wall thickness: 1.2 mm

Halogen HDLL (Heavy Duty Longlife), with an extended service life and increased durability: Gas filling - 20% Xenon / Krypton 80%, gas pressure - 15 atmospheric, high-quality tungsten filament with extra cushioning

mounting plinth glass wall thickness: 1.2 mm

Halogen HQ (Premium HQ): Similar LL lamps were used in glass - made of special quartz glass

Halogen HQLL (Premium HQ Longlife) Similarly HQ halogen lamps, only with a higher gas pressure: 16 atmosphere

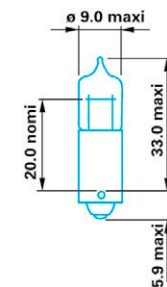
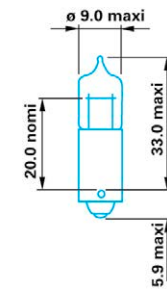
Halogen CB (Cool Blue) The blue-white, high contrast light, it is easier

visible to both the car driver and Trasporti oncoming drivers. Better illuminate the contours of the road and roadside existing items

Halogen +50/100/120% (with high light output): Filament additional coating provides better illumination 50-120 meters ahead, as well as 50 to 120% brighter light at night. High veikspējas halogen with extended lifetime

Processing Information

- * Halogen car bulbs with 100 watts or more are prohibited from use on public roads!
- * All halogen car bulbs are available in packs of 10 pieces!



Socket BAU 15s

Application Area

- Parking lights, brake lights, rear lights, indicator lights, license plate lights



BAU 15s



150655
01



004283
02

No.	Title	Lamp version	Voltage	Power	Socket	PU Piece	Article No.
01	Sphere Bulb	-	24 V	21 W	BAU 15s	10	150655
02	Sphere Bulb	Heavy Duty	24 V	21 W	BAU 15s	10	004283

AGR: 12.441

Socket BAY 15d

Application Area

- Parking lights, brake lights, rear lights, indicator lights, license plate lights



369187
01



004282
02

No.	Title	Lamp version	Voltage	Power	Socket	PU Piece	Article No.
01	Sphere Bulb	-	24 V	21 / 5 W	BAY 15d	10	369187
02	Sphere Bulb	Heavy Duty	24 V	21 / 5 W	BAY 15d	10	004282

AGR: 12.441

Socket BAZ 15d

Application Area

- Parking lights, brake lights, rear lights, indicator lights, license plate lights



170923
01

No.	Title	Voltage	Power	Socket	PU Piece	Article No.
01	Sphere Bulb	24 V	21 / 4 W	BAZ 15d	10	170923

AGR: 12.441

Socket P 43t

Application Area

- Parking lights, brake lights, rear lights, indicator lights, license plate lights



179922
01

No.	Title	Voltage	Power	Socket	PU Piece	Article No.
01	Sphere Bulb	24 V	55 / 50 W	P 43t	10	179922

AGR: 12.441

INTERNAL/Approved (2019-03-22 21:11:46)

Socket BA 9s

Application Area

- Parking lights, brake lights, rear lights, indicator lights, license plate lights



179981
01

179990
02

251569
03

No.	Title	Voltage	Power	Socket	PU Piece	Article No.
01	Sphere Bulbs	24 V	2 W	BA 9s	10	179981
02	Sphere Bulbs	24 V	4 W	BA 9s	10	179990
03	Sphere Bulbs HD	24 V	4 W	BA 9s	10/30/50	251569

AGR: 12.441

Socket BA 15s

- HD = Heavy Duty (for heavy loads) special vibration-protected recording of the incandescent filament

Application Area

- Parking lights, brake lights, rear lights, indicator lights, license plate lights



180025
01

154130
02

180017
03

154123
04

060535
05

225959
06

181650
07

251534
08

166939
09

No.	Title	Lamp version	Voltage	Power	Socket	PU Piece	Article No.
01	Sphere Bulb	-	24 V	5 W	BA 15s	10	180025
02	Sphere Bulb	-	24 V	5 W	BA 15s	10	154130
03	Sphere Bulb	-	24 V	10 W	BA 15s	10	180017
04	Sphere Bulb	-	24 V	10 W	BA 15s	10	154123
05	Sphere Bulb	-	24 V	15 W	BA 15s	10	060535
06	Sphere Bulb	-	24 V	18 W	BA 15s	10	225959
07	Sphere Bulb	-	24 V	21 W	BA 15s	10	181650
08	Sphere Bulb	Heavy Duty	24 V	21 W	BA 15s	10/30	251534
09	Sphere Bulb	-	24 V	21 W	BA 15s	10	166939

AGR: 12.441

License Plate Light - 28 V


 912082
01

No.	Title	Voltage	Power	Socket	PU Piece	Article No.
01	FLASH A.BRKG AIR BA 15D 24V 5W	24 V	5 W	BA15d	10	912082

AGR: 12.441

INTERNAL/Approved (2019-03-22 21:12:00)

Socket BA7s

Application Area

- Parking lights, brake lights, rear lights, indicator lights, license plate lights



BA 7s



143599
01

No.	Title	Voltage	Power	Socket	PU Piece	Article No.
01	STAND LIGHT BULB BA7S 24V 3W	24 V	3 W	BA 7s	10	143599

AGR: 12.441

Festoon Bulb 24 V

Application Area

- Passenger compartment lights
- Glove box lights
- License plate lights

Hints

- In giving of length +/- 1 mm tolerance



161202
01

179965
02

119353
03

912075
04

340596
05

060611
06

179841
07

No.	Title	Voltage	Power	Socket	Ø	Length	PU Piece	Article No.
01	Festoon Bulbs	24 V	3 W	SV 7	8 mm	38 mm	10	161202
02	Festoon Bulbs	24 V	5 W	SV 8,5	10.5 mm	38 mm	10	179965
03	Festoon Bulbs	24 V	5 W	SV 8,5	11.5 mm	44 mm	10	119353
04	INTERIOR MK FEST 24V 10W 38MM	24 V	10 W	SV 8,5	10.5 mm	35 mm	10	912075
05	Festoon Bulbs	24 V	10 W	SV 8,5	11.5 mm	44 mm	10	340596
06	FLASH A.BRAKE L FEST 24V 15W	24 V	15 W	SV 8,5	11.5 mm	40 mm	10	060611
07	Festoon Bulbs	24 V	18 W	SV 8,5	15 mm	44 mm	10	179841

AGR: 12.442

Socket W 2 x 4.6 d



Application Area

- Indicator lights, parking lights, passenger compartment lights, license plate lights, dashboard illumination, glove box illumination



166966
01



166968
02



092401
03



912081
04



184055
05



171358
06

No.	Title	Power	Socket	Voltage	PU Piece	Article No.
01	GLASS PL.-LA 24V/1W W2X4.6D	1 W	W 2 x 4,6d	24 V	10	166966
02	GLASS PL.-LA MAT24V/1.2WW2X4.6D	1.2 W	W 2 x 4,6d	24 V	10	166968
03	LED.WB.LAMP 24V W2X4,6D	1.2 W	W 2 x 4,6d	24 V	10	092401
04	Wedge Base Bulb	1 W	W 2 x 4,6d	24 V	10	912081
05	Wedge Base Bulb	1.2 W	W 2 x 4,6d	24 V	10	184055
06	Wedge Base Bulb	2 W	W 2 x 4,6d	24 V	10	171358

AGR: 12.443

Socket W 2.1 x 9.5 d



Application Area

- Indicator lights, parking lights, passenger compartment lights, license plate lights, dashboard illumination, glove box illumination



166971
01



144352
02



154180
03



154199
04



057217
05

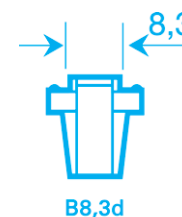
No.	Title	Power	Socket	Voltage	PU Piece	Article No.
01	GLASS PL.-LA 24V/5W W2.1X9.5D	5 W	W 2,1 x 9,5d	24 V	10	166971
02	Wedge Base Bulb	2 W	W 2,1 x 9,5d	24 V	10	144352
03	WB.LAMP 24V/3W W2,1X9,5D E1	3 W	W 2,1 x 9,5d	24 V	10	154180
04	WB.LAMP 24V/5W W2,1X9,5D E1	5 W	W 2,1 x 9,5d	24 V	10	154199
05	WB.LAMP 24V/5W W2,1X9,5D LED	5 W	W 2,1 x 9,5d	24 V	10	057217

AGR: 12.443

Socket B 8.3 d

Application Area

- Passenger compartment lights, dashboard illumination



113058
01

No.	Title	Voltage	Power	Socket	Base color	PU Piece	Article No.
01	Plastic Socket Bulb	24 V	1.2 W	B 8,3d	Grey	10	113058

AGR: 12.444

Socket B 8.5 d

Application Area

- Passenger compartment lights, dashboard illumination



373974
01

No.	Title	Voltage	Power	Socket	Base color	PU Piece	Article No.
01	Plastic Socket Bulb	24 V	1.2 W	B 8,5d	Grey	10	373974

AGR: 12.444

Socket BX 8.5 d

Application Area

- Passenger compartment lights, dashboard illumination



166940
01

No.	Title	Voltage	Power	Socket	Base color	PU Piece	Article No.
01	Plastic Socket Bulb	24 V	1.2 W	BX 8,5d	Brown	10	166940

AGR: 12.444

Socket EBS-N

Application Area

- Passenger compartment lights, dashboard illumination



166941
01

No.	Title	Voltage	Power	Socket	Base color	PU Piece	Article No.
01	Plastic base lamp	24 V	1.2 W	EBS-N1	Grey	10	166941

AGR: 12.444

INTERNAL/Approved (2019-03-22 21:12:39)

Socket EBS-R4

Application Area

- Passenger compartment lights, dashboard illumination



166951
01



166953
02



166955
03



166954
04

No.	Title	Voltage	Power	Socket	Base color	PU Piece	Article No.
01	Plastic Socket Bulb	24 V	1.2 W	EBS-R4	Brown	1/10	166951
02	Plastic Socket Bulb	24 V	1.2 W	EBS-R4	Yellow	10	166953
03	Plastic Socket Bulb	24 V	1.2 W	EBS-R4	White	10	166955
04	Plastic Socket Bulb	24 V	1.2 W	EBS-R4	Blue	10	166954

AGR: 12.444

Emergency box 24V H7 double HD PREMIUM LINE

Title	PU Piece	Article No.
Emergency box 24V H7 double HD PREMIUM LINE	1	242666
AGR: 12.437		
Scope Of Supply	Piece	Article No.
LAMP H7 24V/70W HDLL PREMIUM	2	112477
WB.LAMP 24V/5W W2,1X9,5D E1	2	154199
BULB 24V / 10W BA15S HD E1	2	154123
Sphere Bulbs Orange 24V HD	4	251534
Sphere Bulbs Orange 24V 21W orange HD	2	004283
Festoon Bulbs 24V 5W 38 mm	2	179965
Blade-Type Fuse 10 A red normal	2	138808
Blade-Type Fuse 15 A light brown normal	2	138809
Blade-Type Fuse 20 A yellow normal	2	138810
Blade-Type Fuse 25 A nature normal	2	138811



Emergency box 24V H4 double HD PREMIUM LINE

Title	PU Piece	Article No.
Emergency box 24V H4 double HD PREMIUM LINE	1	242668
AGR: 12.437		
Scope Of Supply	Piece	Article No.
LAMP H4 24V/75/70W HDLL PREM.	2	112458
Sphere Bulbs Orange 24V HD 4W, 10 pcs.	2	251569
Sphere Bulbs Orange 24V 10W	2	180017
Sphere Bulbs Orange 24V HD	4	251534
Sphere Bulbs Orange 24V 21/5W	2	369187
Festoon Bulbs 24V 5W 38 mm	2	179965
Blade-Type Fuse 10 A red normal	2	138808
Blade-Type Fuse 15 A light brown normal	2	138809
Blade-Type Fuse 20 A yellow normal	2	138810
Blade-Type Fuse 25 A nature normal	2	138811



Lamp Cabinet Populated 12 V

Title	Depth, Exterior	External Width	PU Assortment	Article No.
LAMP CABINET FILLED 12 V	185 mm	470 mm	1	151125

AGR: 12.437



Bulb Cabinets 12 V with test instrument

Scope Of Delivery

- 10 pcs. Halogen lamp H1 12 V / 55 W
- 10 pcs. Halogen lamp H3 12V / 55W
- 10 pcs. Halogen lamp H4 12 V / W 60/55
- 10 pcs. Halogen lamp H7 12V / 55W LL
- 10 pcs. Soffitte 12 V / 5 W
- 10 pcs. Soffitte 12 V / 10 W 31 mm
- 10 pcs. Soffitte 12 V / 10 W 41 mm
- 20 pcs. Glass lamp 12 V / 3 W
- 30 pcs. Glass lamp 12 V / 5 W
- 20 pcs. Glass lamp 12 V / 1.2 W
- 10 pcs. Ball lamp 12 V / 2 W
- 10 pcs. Ball lamp 12 V / 2 W BA7s
- 10 pcs. Ball lamp 12 V / W 21/4
- 10 pcs. Ball lamp 12 V / 21 W
- 30 pcs. Ball lamp 12 V / 10 W
- 30 pcs. Ball lamp 12 V / 21 W
- 30 pcs. Ball lamp 12 V / W 21/5
- 20 pcs. Ball lamp 12 V / 4 W
- 30 pcs. Ball lamp 12 V / 5 W



Title	PU Assortment	Article No.
Bulb Cabinet	1	206733

AGR: 12.437

Lamp cardboard 12 V, 320 parts

- Set of lamps consisting of 250 pieces for front, back and side lighting as well as interior lightening and the lightening of number plates
- Cheap container (lamp cardboard) for order and storage
- White PE strip can be equipped with glass base lamps and ball lights

Hints

- Lamp tester is not included

Scope Of Delivery

- 20 pieces of halogen lamps H7 12 V 55 W
- 10 pieces of halogen lamps H1 12 V 55 W
- 10 pieces of halogen lamps H3 12 V 55 W
- 10 pieces of halogen lamps H4 12 V 60/55 W
- 30 pieces of ball lights 12 V 21/5 W
- 40 pieces of ball lights 12 V 21 W
- 20 pieces of ball lights 12 V 4 W
- 30 pieces of ball lights 12 V 5 W
- 10 pieces of ball lights 12 V 2 W BA 7S
- 10 pieces of tubular lamps 12 V 5 W 36mm
- 10 pieces of tubular lamps 12 V 10 W 41mm
- 10 pieces of tubular lamps 12 V 10 W 31mm
- 20 pieces of glass base lamps 12 V 1,2 W
- 20 pieces of glass base lamps 12 V 5 W



Title	Total Height	PU Assortment	Article No.
BULB BOX 12V 250PCS.	345 mm	1	186062

AGR: 12.447

INTERNAL/Approved (2019-03-22 21:13:26)

Lampbox 24 V, 120 pieces

- Set of lamps consisting of 120 pieces for front, back and side lightening as well as interior lightening and the lightening of number plates
- Cheap container (lamp cardboard) for order and storage
- White PE strip can be equipped with glass base lamps and ball lights

Hints

- Lamp tester is not included

Scope Of Delivery

- 10 pieces of halogen lamps H7 24 V 70 W HD Longlife
- 10 pieces of halogen lamps H4 24 V 70/75 W HDLL
- 10 pieces of halogen lamps H3 24 V 70 W HDLL
- 10 pieces of ball lights 24 V 21 W HD
- 20 pieces of ball lights 24 V 5 W HD
- 10 pieces of ball lights Orange 24 V 21 W
- 20 pieces of glass base lamps 24 V 5 W
- 20 pieces of tubular lamps 24 V 5 W 36mm
- 10 pieces of glass base lamps 24 V 1,2 W



Title	Total Height	PU Assortment	Article No.
BULB BOX 24V 120PCS.	345 mm	1	188105

AGR: 12.447

bulb testing device 12/14V

- Quick testing of automotive lamps with different bases

Application Area

- Testing of halogen lamps, ball lights, glase base lamps and festoons in the range of 6 volt, 12 volt and 24 volt

Hints

- The device gives a acoustic signal and the test lamp is green when testing a functioning lamp
- Battery E-Block 9 volt not included
Alkaline Battery E-Block (Art. No. 010521) or Akku E-Block (Art. No. 165914)



Title	PU Piece	Article No.
BULB TESTING DEVICE 12/24V	1	188090

AGR: 08.309

Rotating beacon 12/24 V flat base Topline

Characteristics

- Hood with bayonet lock
Smooth base with 3 screw mounting Ø 6 mm

Hints

- Order lamps separately

Technical Data

Voltage	12 V 24 V
Fastening Type	Mounting bolt

Title	PU Piece	Article No.
Rotating Beacon bolt-mounted	1	047012

AGR: 12.472

Accessories Available	PU Amount	Article No.
Halogen Bulb H1 Longlife 12V 55W	1	144348
Halogen Bulb H1 24V 70W	1	179876
Halogen Bulb H1 HDLL 24V 70W	1	011902



Rotating beacon 12/24 V fixed Topline

Characteristics

- Hood with bayonet lock, fixing: pipe connection

Hints

- Order lamps separately

Technical Data

Voltage	12 V 24 V
Fastening Type	Plug-in socket with clamping screws

Title	PU Piece	Article No.
Rotating Beacon pole-mounted	1	047013

AGR: 12.472

Accessories Available	PU Amount	Article No.
Halogen Bulb H1 Longlife 12V 55W	1	144348
Halogen Bulb H1 24V 70W	1	179876
Halogen Bulb H1 HDLL 24V 70W	1	011902



Rotating beacon 12/24 V flexible Topline

Characteristics

- Hood with bayonet lock, fixing: flexible pipe connection

Hints

- Order lamps separately

Technical Data

Voltage	12 V 24 V
Fastening Type	Plug-in socket with clamping screws
Rfi Protected	No

Title	PU Piece	Article No.
Rotating Beacon Flexible pole-mounted AGR: 12.472	1	047014

Accessories Available	PU Amount	Article No.
Halogen Bulb H1 Longlife 12V 55W	1	144348
Halogen Bulb H1 24V 70W	1	179876
Halogen Bulb H1 HDLL 24V 70W	1	011902



Rotating beacon 12/24 V magnet Topline

- 1

Application Area

- 1

Characteristics

- Hood with bayonet coupling, connection pipe approx 80 cm length with plug for cigarette lighter, Mounting: Magnetic base with suction cup

Hints

- Order lamps separately
Max. Speed 110 km / h - with cap max. 80 km / h

Technical Data

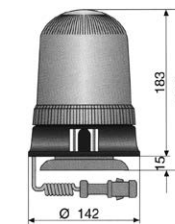
Voltage	12 V 24 V
Fastening Type	Magnet
Rfi Protected	No

Title	PU Piece	Article No.
Rotating Beacon Vacuum/Magnet	1	047015

AGR: 12.472

Accessories Available	PU Amount	Article No.
Halogen Bulb H1 LL	1/10	098181
Halogen Bulb H1 Longlife 12V 55W	1	144348
Halogen Bulb H1 24V 70W	1	179876
Halogen Bulb H1 HDLL 24V 70W	1	011902

Spare Parts	PU Amount	Article No.
Spare Glass Component	1	047016



INTERNAL/Approved (2019-03-22 21:14:10)

Replacement Bonnet for Rotating Beacon TOPline

Application Area

- Appropriate for all Rotating Beacons Topline

Characteristics

- Color: yellow, bonnet made of polycarbonate

Title	PU Piece	Article No.
Spare Glass Component AGR: 12.472	1	047016



Rotating Beacon 12/24 V Flexible Pipe Sockets

- Smooth running due to belt drive
- Free-Form reflector for 30 % better luminous efficiency

Characteristics

- Bonnet with bayonet-lock, fixation: flexible pipe sockets

Hints

- Illuminant to be ordered separately

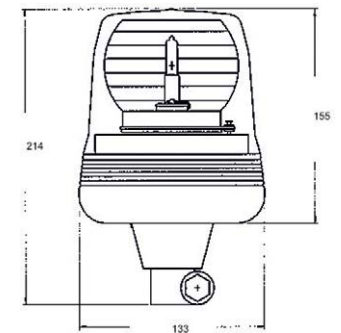
Technical Data

Voltage	12 V 24 V
Fastening Type	Plug-in socket with clamping screws
Rfi Protected	Yes

Title	PU Piece	Article No.
Rotating Beacon flexible, pole-mounted	1	047009

AGR: 12.472

Accessories Available	PU Piece	Article No.
Halogen Bulb H1 Longlife 12V 55W	1	144348
LAMP H1 12V / 55W HDLL P14,5S	1	011910
LAMP H1 12V / 55 W	1/30/50	179868
Halogen Bulb H1 24V 70W	1	179876
Halogen Bulb H1 HDLL 24V 70W	1	011902



Beacon LED 8 patterns 3 bolts

- European quality LED beacon
- 8 different light patterns including rotating
- IP66 protection class
 - Dust tight
 - Protected against powerful jets of water
- Meets with ECE R65
- Does not create electromagnetic interference
 - ECE R10 compliant
- 12V and 24V compatible
- Highly resistant to mechanical shock
 - Amber lens made of polycarbonate
- 2 year manufacturer warranty

Application Area

- For all kinds of commercial vehicles like trucks, trailers, agriculture machines, construction machines, etc...

Hints

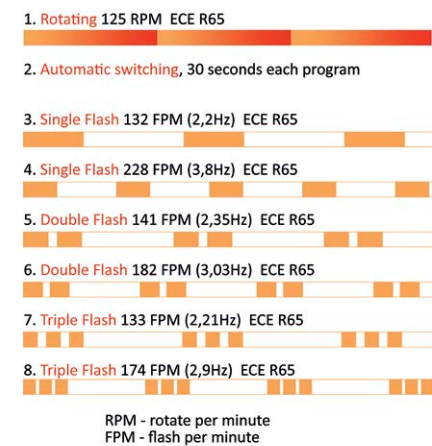
- Mounting by means of three screws including 3 m cable
- Light pattern can be changed by connecting the third cable (red) to an external switch

Technical Data

Voltage	12 V 24 V
Power consumption	14 W
Fastening Type	Screwed
Degree Of Protection	IP66
Housing	Polycarbonate (PC)
Material, Lens	Polycarbonate (PC)

Title	Height	Ø	PU Piece	Article No.
Beacon LED 8 patterns 3 bolts	99 mm	162 mm	1	369018

AGR: 12.472



Beacon LED 8 patterns pipe

- European quality LED beacon
- 8 different light patterns including rotating
- IP66 protection class
 - Dust tight
 - Protected against powerful jets of water
- Meets with ECE R65
- Does not create electromagnetic interference
 - ECE R10 compliant
- 12V and 24V compatible
- Highly resistant to mechanical shock
 - Amber lens made of polycarbonate
- 2 year manufacturer warranty

Application Area

- For all kinds of commercial vehicles like trucks, trailers, agriculture machines, construction machines, etc...

Hints

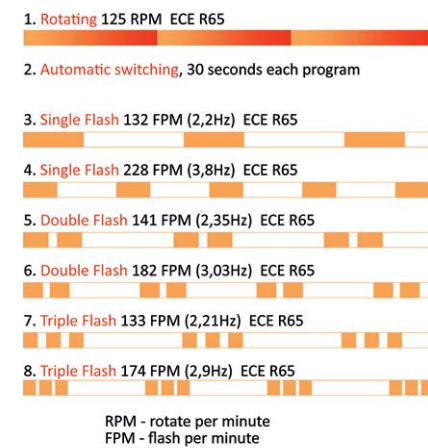
- Mounting by means of flexible pipe including 3 m cable
- Light pattern can be changed by connecting the third cable (red) to an external switch

Technical Data

Voltage	12 V 24 V
Power consumption	14 W
Fastening Type	Mounting bolt
Degree Of Protection	IP66
Housing	Polycarbonate (PC)
Material, Lens	Polycarbonate (PC)

Title	Height	Ø	PU Piece	Article No.
Beacon LED 8 patterns pipe	174 mm	162 mm	1	369019

AGR: 12.472



Beacon LED 8 patterns magnet

- European quality LED beacon
- 8 different light patterns including rotating
- IP66 protection class
 - Dust tight
 - Protected against powerful jets of water
- Meets with ECE R65
- Does not create electromagnetic interference
 - ECE R10 compliant
- 12V and 24V compatible
- Highly resistant to mechanical shock
 - Amber lens made of polycarbonate
- 2 year manufacturer warranty

Application Area

- For all kinds of commercial vehicles like trucks, trailers, agriculture machines, construction machines, etc...

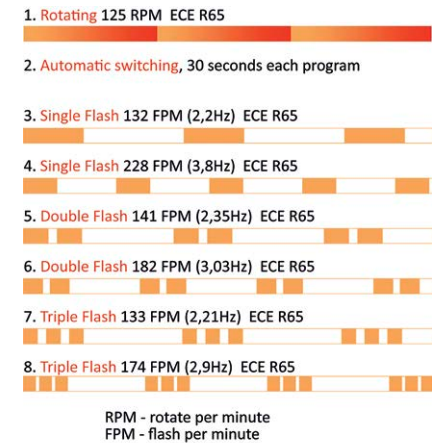
Hints

- Mounting by means of magnet and suction cup including 3.5 m spiral cable with plug
- Light pattern can be changed by operating the switch on the spiral cable plug

Technical Data

Voltage	12 V 24 V
Power consumption	14 W
Fastening Type	Magnet
Degree Of Protection	IP66
Housing	Polycarbonate (PC)
Material, Lens	Polycarbonate (PC)

Title	Height	Ø	PU Piece	Article No.
Beacon LED 8 patterns magnet	112 mm	162 mm	1	369020
AGR: 12.472				



Beacon LED 3 patterns 3 bolts

- European quality LED beacon
- 3 different light patterns
 - Rotating
 - Single flash
 - Double flash
- IP65 protection class
 - Dust tight
 - Protected against water jets from any direction
- Meets with ECE R65
- Does not create electromagnetic interference
 - ECE R10 compliant
- 12V and 24V compatible
- Highly resistant to mechanical shock
 - Amber lens made of polycarbonate
- 3 year manufacturer warranty

Application Area

- For all kinds of commercial vehicles like trucks, trailers, agriculture machines, construction machines, etc...

Hints

- Mounting by means of three M6 bolts
- Light pattern can be changed by operating the internal switch manually or with a magnet, or by connecting the third cable (blue) to an external switch. Hold the switch for at least 2 seconds

Technical Data

Voltage	12 V 24 V
Power consumption	9 W
Fastening Type	Mounting bolt
Degree Of Protection	IP 65
Housing	Plastic
Material, Lens	Polycarbonate (PC)

Title	Height	Ø	PU Piece	Article No.
Beacon LED 3 patterns 3 bolts	74 mm	144 mm	1	369011

AGR: 12.472



Internal red switch can be operated manually or with a magnet

INTERNAL/Approved (2019-03-22 21:14:42)

Beacon LED 3 patterns magnet

- European quality LED beacon
- 3 different light patterns
 - ▶ Rotating
 - ▶ Single flash
 - ▶ Double flash
- IP65 protection class
 - ▶ Dust tight
 - ▶ Protected against water jets from any direction
- Meets with ECE R65
- Does not create electromagnetic interference
 - ▶ ECE R10 compliant
- 12V and 24V compatible
- Highly resistant to mechanical shock
 - ▶ Amber lens made of polycarbonate
- 3 year manufacturer warranty



Internal red switch to be operated manually

Application Area

- For all kinds of commercial vehicles like trucks, trailers, agriculture machines, construction machines, etc...

Hints

- Mounting by means of magnet and suction cup including 3.5 m spiral cable with plug
- Light pattern can be changed by operating the internal switch manually. Hold the switch for at least 2 seconds

Technical Data

Voltage	12 V 24 V
Power consumption	9 W
Fastening Type	Magnet
Degree Of Protection	IP 65
Housing	Plastic
Material, Lens	Polycarbonate (PC)

Title	Height	Ø	PU Piece	Article No.
Beacon LED 3 patterns magnet	76 mm	144 mm	1	369013

AGR: 12.472

Beacon LED single flash magnet

- European quality LED beacon
- Single flash light pattern
- Equipped with cord retractor
 - After use, the cable can always be neatly rolled up inside the beacon
- IP65 protection class
 - Dust tight
 - Protected against water jets from any direction
- Meets with ECE R65
- Does not create electromagnetic interference
 - ECE R10 compliant
- 12V and 24V compatible
- Highly resistant to mechanical shock
 - Amber lens made of polycarbonate
- 3 year manufacturer warranty



Application Area

- For all kinds of commercial vehicles like trucks, trailers, agriculture machines, construction machines, etc...

Hints

- Mounting by means of magnet and suction cup including 2.75 m retractable cable with plug

Technical Data

Voltage	12 V 24 V
Power consumption	9 W
Fastening Type	Magnet
Degree Of Protection	IP 65
Housing	Plastic
Material, Lens	Polycarbonate (PC)

Title	Height	Ø	PU Piece	Article No.
Beacon LED single flash magnet	141 mm	154 mm	1	369017

AGR: 12.472

INTERNAL/Approved (2019-03-22 21:14:54)

Rotating beacon LED 10-30v POL

- European quality LED beacon
- Rotating light pattern
- IP65 protection class
 - ▶ Dust tight
 - ▶ Protected against water jets from any direction
- Meets with ECE R65
- Does not create electromagnetic interference
 - ▶ ECE R10 compliant
- 12V and 24V compatible
- Highly resistant to mechanical shock
 - ▶ Amber lens made of polycarbonate
- 3 year manufacturer warranty

Application Area

- For all kinds of commercial vehicles like trucks, trailers, agriculture machines, construction machines, etc...

Hints

- Mounting by means of flexible pipe/socket

Technical Data

Voltage	12 V 24 V
Power consumption	9 W
Fastening Type	Plugged
Degree Of Protection	IP 65
Housing	Plastic
Material, Lens	Polycarbonate (PC)

Title	Height	Ø	PU Piece	Article No.
Rotating beacon LED 10-30V POL	132 mm	128 mm	1	337764

AGR: 12.472



INTERNAL/Approved (2019-03-22 21:15:00)

Rotating beacon led

- European quality LED beacon
- Rotating light pattern
- IP65 protection class
 - ▶ Dust tight
 - ▶ Protected against water jets from any direction

- Meets with ECE R65
- Does not create electromagnetic interference
 - ECE R10 compliant
- 12V and 24V compatible
- Highly resistant to mechanical shock
 - Amber lens made of polycarbonate
- 3 year manufacturer warranty

Application Area

- For all kinds of commercial vehicles like trucks, trailers, agriculture machines, construction machines, etc...

Hints

- Mounting by means of magnet and suction cup including 3.5 m spiral cable with plug

Technical Data

Voltage	12 V 24 V
Power consumption	9 W
Fastening Type	Magnet
Degree Of Protection	IP 65
Housing	Plastic
Material, Lens	Polycarbonate (PC)

Title	Height	Ø	PU Piece	Article No.
Beacon LED magnet	76 mm	144 mm	1	337763

AGR: 12.472

Beacon LED 3 bolts high

- European quality LED beacon
- Rotating light pattern
- High design
- IP65 protection class
 - Dust tight
 - Protected against water jets from any direction
- Meets with ECE R65
- Does not create electromagnetic interference
 - ECE R10 compliant
- 12V and 24V compatible
- Highly resistant to mechanical shock



Reflectors

- ▶ Amber lens made of polycarbonate
- 2 year manufacturer warranty

Application Area

- For all kinds of commercial vehicles like trucks, trailers, agriculture machines, construction machines, etc...

Hints

- Mounting by means of three M6 bolts

Technical Data

Voltage	12 V 24 V
Power consumption	9 W
Fastening Type	Mounting bolt
Degree Of Protection	IP 65
Housing	Plastic
Material, Lens	Polycarbonate (PC)

Title	Height	Ø	PU Piece	Article No.
Beacon LED 3 bolts high	157 mm	144 mm	1	369014

AGR: 12.472

Beacon LED pipe high

- European quality LED beacon
- Rotating light pattern
- High design
- IP65 protection class
 - ▶ Dust tight
 - ▶ Protected against water jets from any direction
- Meets with ECE R65
- Does not create electromagnetic interference
 - ▶ ECE R10 compliant
- 12V and 24V compatible
- Highly resistant to mechanical shock
 - ▶ Amber lens made of polycarbonate
- 2 year manufacturer warranty

Application Area

- For all kinds of commercial vehicles like trucks, trailers, agriculture machines, construction machines, etc...



Hints

- Mounting by means of flexible pipe/socket

Technical Data

Voltage	12 V 24 V
Power consumption	9 W
Fastening Type	Plugged
Degree Of Protection	IP 65
Housing	Plastic
Material, Lens	Polycarbonate (PC)

Title	Height	Ø	PU Piece	Article No.
Beacon LED pipe high	205 mm	127 mm	1	369015

AGR: 12.472

Beacon LED magnet high

- European quality LED beacon
- Rotating light pattern
- High design
- IP65 protection class
 - Dust tight
 - Protected against water jets from any direction
- Meets with ECE R65
- Does not create electromagnetic interference
 - ECE R10 compliant
- 12V and 24V compatible
- Highly resistant to mechanical shock
 - Amber lens made of polycarbonate
- 2 year manufacturer warranty

Application Area

- For all kinds of commercial vehicles like trucks, trailers, agriculture machines, construction machines, etc...

Hints

- Mounting by means of magnet and suction cup including 3.5 m spiral cable with plug

Technical Data



Voltage	12 V 24 V
Power consumption	9 W
Fastening Type	Magnet
Degree Of Protection	IP 65
Housing	Plastic
Material, Lens	Polycarbonate (PC)

Title	Height	Ø	PU Piece	Article No.
Beacon LED magnet high	176 mm	144 mm	1	369016

AGR: 12.472

Rotating beacon LED 10-30V

- European quality LED beacon
- Rotating light pattern
- IP65 protection class
 - Dust tight
 - Protected against water jets from any direction
- Meets with ECE R65
- Does not create electromagnetic interference
 - ECE R10 compliant
- 12V and 24V compatible
- Highly resistant to mechanical shock
 - Amber lens made of polycarbonate
- 3 year manufacturer warranty

Application Area

- For all kinds of commercial vehicles like trucks, trailers, agriculture machines, construction machines, etc...

Hints

- Mounting by means of three M6 bolts

Technical Data

Voltage	12 V 24 V
Power consumption	9 W
Fastening Type	Mounting bolt
Degree Of Protection	IP 65
Housing	Plastic
Material, Lens	Polycarbonate (PC)



Title	Height	Ø	PU Piece	Article No.
Beacon LED 3 bolts	74 mm	144 mm	1	337762

AGR: 12.472

Beacon LED 3 patterns pipe

- European quality LED beacon
- 3 different light patterns
 - ▶ Rotating
 - ▶ Single flash
 - ▶ Double flash
- IP65 protection class
 - ▶ Dust tight
 - ▶ Protected against water jets from any direction
- Meets with ECE R65
- Does not create electromagnetic interference
 - ▶ ECE R10 compliant
- 12V and 24V compatible
- Highly resistant to mechanical shock
 - ▶ Amber lens made of polycarbonate
- 3 year manufacturer warranty

Application Area

- For all kinds of commercial vehicles like trucks, trailers, agriculture machines, construction machines, etc...

Hints

- Mounting by means of flexible pipe/socket
- Light pattern can be changed by operating the internal switch manually or with a magnet. Hold the switch for at least 2 seconds

Technical Data

Voltage	12 V 24 V
Power consumption	9 W
Fastening Type	Plugged
Degree Of Protection	IP 65
Housing	Plastic
Material, Lens	Polycarbonate (PC)



Internal red switch can be operated manually or with a magnet

Reflectors

Title	Height	Ø	PU Piece	Article No.
Beacon LED 3 patterns pipe	132 mm	128 mm	1	369012

AGR: 12.472

LED Doppelblitzleuchte 10-30 V starre Basis

Characteristics

- Glass cover with a bayonet catch
- Mounting: plug-in mounting

Title	PU Piece	Article No.
ROT.BEAC.LED10-30V POLE.MOU. AGR: 12.472	1	239792



LED Doppelblitzleuchte 10-30 V Vakuum/ Magnet

Characteristics

- Glass cover?!? With a bayonet catch
- Mounting: magnetic mounting

Hints

- This double flashlight should only be set on even, horizontal or normally varnished surfaces of a vehicle steel?!?!?
Maximum driving speed is 112 km/h.

Title	PU Piece	Article No.
ROT.BEACON LED10-30V MAGNET AGR: 12.472	1	239793



Rotating beacon LED 10-30V magnétic with plug

- 8 flah available easy to change.
- Deliver with 3 sucers. .

Technical Data

Voltage	30 V
Fastening Type	Magnet
Degree Of Protection	IP68
Number of LEDs	24
Color	Orange

Title	Height	Ø	PU Piece	Article No.
Rotating beacon LED 10-30V magnétic + plug	47.5 mm	110 mm	1	251405

AGR: 12.472



Rotating beacon LED flat base

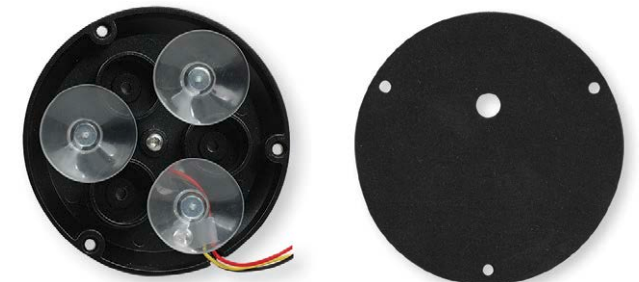
- 8 flah available easy to change.
- Deliver with 3 sucers and foam joint.

Technical Data

Voltage	30 V
Fastening Type	Mounting bolt
Degree Of Protection	IP68
Number of LEDs	24
Color	Orange

Title	Height	Ø	PU Piece	Article No.
Rotating beacon LED flat base	47.5 mm	110 mm	1	251404

AGR: 12.472



LED Flashlight E4 12/24 V yellow

Application Area

- LED front/rear flasher module with 4 LEDs per module for the installation/assembly in the radiator grill or at the vehicle body - high-performance and small

Characteristics

- Off Axis spreading disks for extreme radiation angles and a superior visibility on the sides

Processing Information

- Surface mounting for vertical surfaces

Scope Of Delivery

- Fixing screws included



Title	PU Piece	Article No.
FLASHLIGHT E4 12/24V YELLOW AGR: 12.472	1	239791

Flashlight X4 12/24 V yellow

Application Area

- LED front flasher with 4 Led modules constructed compactly for various application areas

Processing Information

- Surface mounting

Scope Of Delivery

- Fixing screws included

Title	PU Piece	Article No.
FLASHLIGHT X4 12/24V YELLOW AGR: 12.472	1	219479

LED Flashlight X6 12/24 V yellow

Application Area

- LED front flasher with 6 Led modules constructed compactly for various application areas

Processing Information

- Surface mounting

Scope Of Delivery

- Fixing screws included



Title	PU Piece	Article No.
FLASHLIGHT X6 12/24V YELLOW	1	239843

AGR: 12.472

Beacon halogen 3 bolts

- European quality halogen rotating beacon
- IP65 protection class
 - Dust tight
 - Protected against water jets from any direction
- Meets with ECE R65
- Does not create electromagnetic interference
 - ECE R10 compliant
- 12V and 24V compatible
- Highly resistant to mechanical shock
 - Amber lens made of polycarbonate
- 2 year manufacturer warranty

Application Area

- For all kinds of commercial vehicles like trucks, trailers, agriculture machines, construction machines, etc...

Hints

- Mounting by means of three M6 bolts
- Beacon is supplied without H1 halogen bulb

Technical Data

Voltage	12 V 24 V
Power consumption	55 W
Fastening Type	Mounting bolt
Degree Of Protection	IP 65
Housing	Plastic
Material, Lens	Polycarbonate (PC)

Title	Height	Ø	PU Piece	Article No.
Beacon halogen 3 bolts	155 mm	146 mm	1	369008

AGR: 12.472



Beacon halogen pipe

- European quality halogen rotating beacon
- IP65 protection class
 - ▶ Dust tight
 - ▶ Protected against water jets from any direction
- Meets with ECE R65
- Does not create electromagnetic interference
 - ▶ ECE R10 compliant
- 12V and 24V compatible
- Highly resistant to mechanical shock
 - ▶ Amber lens made of polycarbonate
- 2 year manufacturer warranty

Application Area

- For all kinds of commercial vehicles like trucks, trailers, agriculture machines, construction machines, etc...

Hints

- Mounting by means of flexible pipe/socket
- Beacon is supplied without H1 halogen bulb

Technical Data

Voltage	12 V 24 V
Power consumption	55 W
Fastening Type	Plugged
Degree Of Protection	IP 65
Housing	Plastic
Material, Lens	Polycarbonate (PC)

Title	Height	Ø	PU Piece	Article No.
Beacon halogen pipe	198 mm	126 mm	1	369009

AGR: 12.472



Beacon halogen magnet

- European quality halogen rotating beacon
- IP65 protection class
 - Dust tight
 - Protected against water jets from any direction
- Meets with ECE R65
- Does not create electromagnetic interference
 - ECE R10 compliant
- 12V and 24V compatible
- Highly resistant to mechanical shock
 - Amber lens is made of polycarbonate
- 2 year manufacturer warranty

Application Area

- For all kinds of commercial vehicles like trucks, trailers, agriculture machines, construction machines, etc...

Hints

- Mounting by means of magnet and suction cup including 3.5 m spiral cable with plug
- Beacon is supplied without H1 halogen bulb

Technical Data

Voltage	12 V 24 V
Power consumption	55 W
Fastening Type	Magnet
Degree Of Protection	IP 65
Housing	Plastic
Material, Lens	Polycarbonate (PC)

Title	Height	Ø	PU Piece	Article No.
Beacon halogen magnet	176 mm	144 mm	1	369010

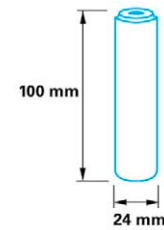
AGR: 12.472



Connection Plug for Welding

Application Area

- Usable for all Pole Mount Beacons and Xenon Double Flash Beacons
- with closing cap



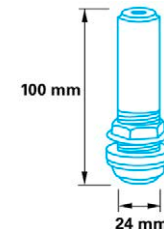
Title	PU Piece	Article No.
Weld Fixing Bracket	1	047023

AGR: 12.472

Connection Plug for Screwing

Application Area

- Usable for all Pole Mount Beacons and Xenon Double Flash Beacons
- with closing cap



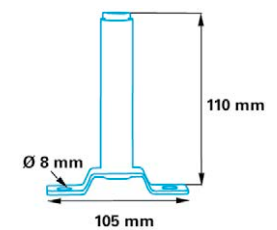
Title	PU Piece	Article No.
Screw Fixing Bracket	1	047024

AGR: 12.472

Connection Plug for Flange Fixation

Application Area

- Usable for all Pole Mount Beacons and Xenon Double Flash Beacons
- with closing cap



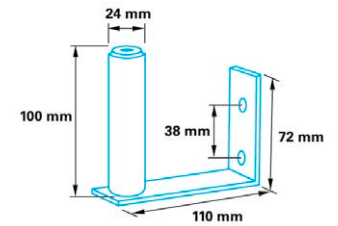
Title	PU Piece	Article No.
Straight Fixing Bracket	1	047087

AGR: 12.472

Connection Plug for Angle Fixation

Application Area

- Usable for all Pole Mount Beacons and Xenon Double Flash Beacons
- with closing cap



Title	PU Piece	Article No.
Side Fixing Bracket	1	047088

AGR: 12.472

2-Pole Socket

Application Area

- Dashboard installation
- Usable for all Pole Mount Beacons and Xenon Double Flash Beacons
- with closing cap



Title	PU Piece	Article No.
Dual Pole Socket	1	047089

AGR: 12.472

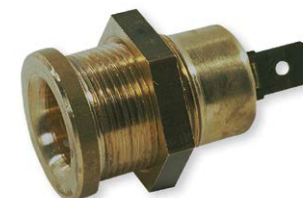
Socket to turn signal

Technical Data

Fastening Type	Scrap connection
----------------	------------------

Title	PU Piece	Article No.
SOCKET TO THE FLASHER	1	134985

AGR: 12.472



INTERNAL/Approved (2019-03-22 21:16:19)

Connection Plugs:

Application Area

- Cigarette Lighter

Title	PU Piece	Article No.
Connector	1	047090

AGR: 12.472



Connection Plug with 3-Meter Spiral Cable

Application Area

- Cigarette Lighter

Title	PU Piece	Article No.
Connector with spiral cable	1	047025

AGR: 12.472



Replacement lamp for Xenon single flash beacon



Title	PU Piece	Article No.
SPARE PART XENONLAMP F. BEACON	1	052689
AGR: 12.473		

Xenon Double Flash 12/24 V Stay Bolt

Characteristics

- Bonnet with bayonet-lock, fixation: 3 stay bolts M6
- E- and CE-checked
- IP 65-checked

Scope Of Delivery

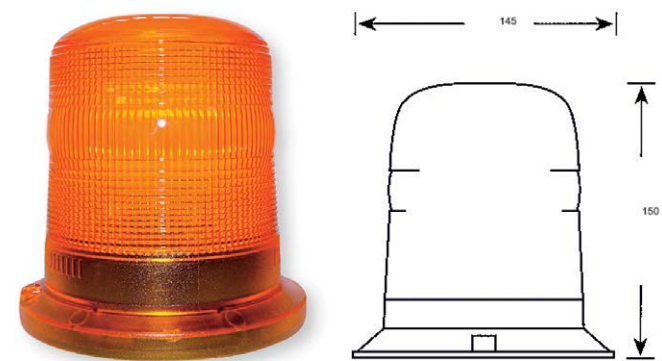
- Incl. Xenon tube

Technical Data

Voltage	12 V 24 V
Fastening Type	Mounting bolt

Title	PU Piece	Article No.
Xenon Beacon bolt-mounted	1	047017*

* = The delivery time is 21 days
AGR: 12.472



Xenon Double Flash 12/24 V Pipe Sockets

Characteristics

- Bonnet with bayonet-lock, fixation: pipe sockets
- E- and CE-checked
- IP 65-checked

Scope Of Delivery

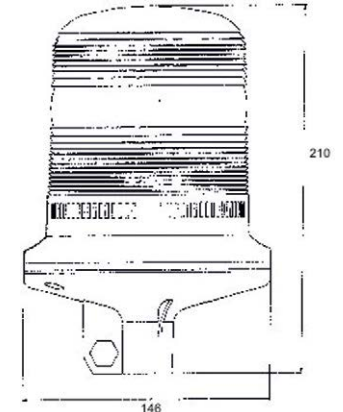
- Incl. Xenon tube

Technical Data

Voltage	12 V 24 V
Fastening Type	Plug-in socket with clamping screws

Title	PU Piece	Article No.
Xenon Beacon pole-mounted	1	047018*

* = The delivery time is 21 days
AGR: 12.472



Xenon Double Flash 12/24 V flex. Pipe Sockets

Characteristics

- Bonnet with bayonet-lock, fixation: flexible pipe sockets
- E- and CE-checked
- IP 65-checked

Scope Of Delivery

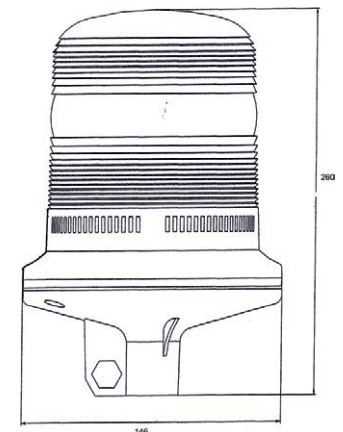
- Incl. Xenon tube

Technical Data

Voltage	12 V 24 V
Fastening Type	Plug-in socket with clamping screws

Title	PU Piece	Article No.
Xenon Beacon Flexible pole-mounted	1	047019

AGR: 12.472



INTERNAL/Approved (2019-03-22 21:16:45)

Xenon Double Flash 12/24 V Magnet

Characteristics

- Hood with bayonet lock, lead approx 100 cm long with cigarette lighter plug
Fixing: magnet Ø 85 mm
With lamp
- E- and CE-checked
- IP 65-checked

Hints

- For a maximum speed of up to 110 km/h

Scope Of Delivery

- Incl. Xenon tube

Technical Data

Voltage	12 V 24 V
Fastening Type	Magnet
Rfi Protected	No

Title	PU Piece	Article No.
Xenon Beacon Vacuum/Magnet	1	047020

AGR: 12.472

Xenon Spare Bonnet yellow

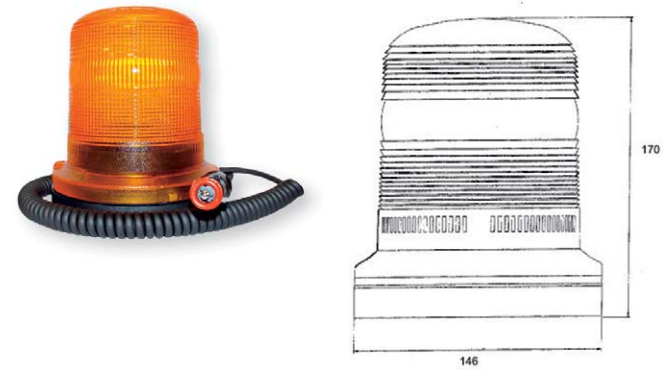
Hints

- Spare bonnet for Xenon Double Flash Beacon
- Suitable for Art.-No. 47017, 47018, 47019 and 47020

Title	PU Piece	Article No.
Spare Glass Component	1	047021*

* = The delivery time is 21 days

AGR: 12.472



Spare Xenon Module

Title	PU Piece	Article No.
Spare Xenon Tube AGR: 12.472	1	047022



LED work lamp 5W 1300 lumen **STANDARDline**

- Standard flood LED work lamp for all kind of commercial vehicles, like truck, trailer, agriculture machines, construction machines, etc.
- Produced in China with 6 month manufacturer warranty
- Equipped with 6 LEDs with more than 10.000 burning hours
- Protection class IP67, meaning dust tight and waterproof (immersion in water up to maximum 1 m)
- Protected against reverse polarity
- Can be mounted in any position
- Does not create electromagnetic interference
- In compliance with CE

Technical Data

Dimensions (h x w x d)	135 x 115 x 40.5 mm
Voltage	12 - 24 V
Pre-wired	Sheathed twin core cable
Cable length	0.28 m
Housing	Aluminium
Material, Lens	Polycarbonate washer
Bracket material	SWZ Black zinc plated
Beam pattern	Flood
Colour temperature	6.000 K
Degree Of Protection	IP67
Lifetime LED	10.000 h
Number of LEDs	6
Polarity	Red + / Black -
Weight	0.37 kg



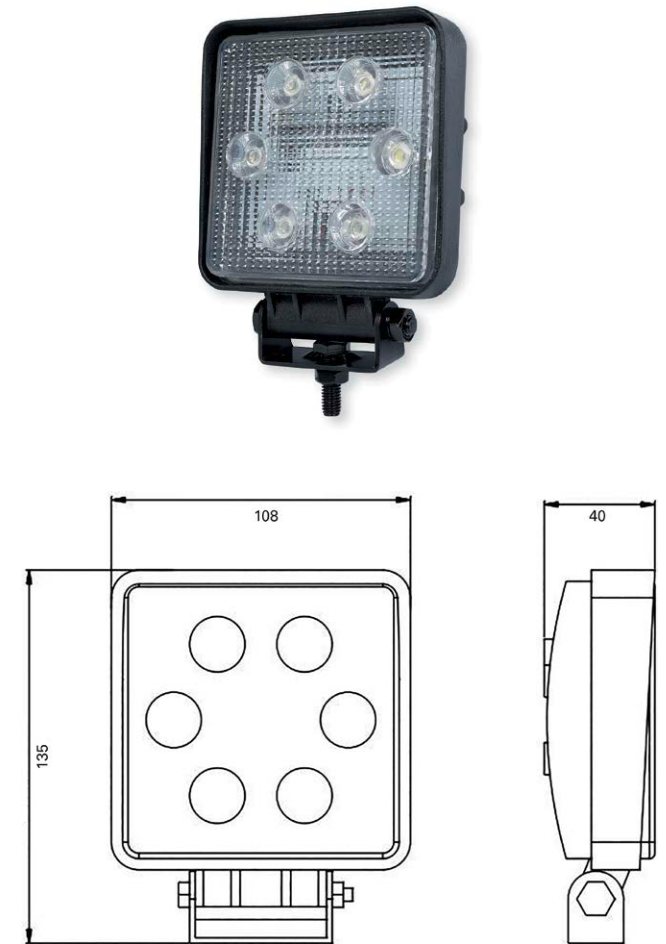
Title	Power consumption	Max. light output	PU Piece	Article No.
LED work lamp AGR: 12.473	5 W	1300 lm	1	344094

LED work lamp 11W 1300 lumen **STANDARDline**

- Standard flood LED work lamp for all kind of commercial vehicles, like truck, trailer, agriculture machines, construction machines, etc.
- Produced in China with 6 month manufacturer warranty
- Equipped with 6 LEDs with more than 10.000 burning hours
- Protection class IP67, meaning dust tight and waterproof (immersion in water up to maximum 1 m)
- Protected against reverse polarity
- Can be mounted in any position
- Does not create electromagnetic interference
- In compliance with CE

Technical Data

Dimensions (h x w x d)	135 x 108 x 40 mm
Voltage	12 - 24 V
Pre-wired	Sheathed twin core cable
Cable length	0.28 m
Housing	Aluminium
Material, Lens	Polycarbonate (PC)
Bracket material	BL Black coated
Beam pattern	Flood
Colour temperature	6.000 K
Degree Of Protection	IP67
Lifetime LED	10.000 h
Number of LEDs	6
Polarity	Red + / Black -
Weight	0.42 kg



Title	Power consumption	Max. light output	PU Piece	Article No.
LED work lamp	11 W	1300 lm	1	344102

AGR: 12.473

LED work lamp 16W 2100 lumen **STANDARDline**

- Standard flood LED work lamp for all kind of commercial vehicles, like truck, trailer, agriculture machines, construction machines, etc.
- Produced in China with 6 month manufacturer warranty
- Equipped with 9 LEDs with more than 10.000 burning hours
- Protection class IP67, meaning dust tight and waterproof (immersion in water up to maximum 1 m)
- Protected against reverse polarity
- Can be mounted in any position
- Does not create electromagnetic interference
- In compliance with CE

Technical Data

Dimensions (h x w x d)	137 x 115 x 39 mm
Voltage	12 - 24 V
Pre-wired	Sheathed twin core cable
Cable length	0.3 m
Housing	Aluminium
Material, Lens	Polycarbonate washer
Bracket material	SWZ Black zinc plated
Beam pattern	Flood
Colour temperature	6.000 K
Degree Of Protection	IP67
Lifetime LED	10.000 h
Number of LEDs	9
Polarity	Red + / Black -
Weight	0.37 kg



Title	Power consumption	Max. light output	PU Piece	Article No.
LED work lamp	16 W	2100 lm	1	344093

AGR: 12.473

LED work lamp 17W 2100 lumen **STANDARDline**

- Standard flood LED work lamp for all kind of commercial vehicles, like truck, trailer, agriculture machines, construction machines, etc.
- Produced in China with 6 month manufacturer warranty
- Equipped with 9 LEDs with more than 10.000 burning hours
- Protection class IP67, meaning dust tight and waterproof (immersion in water up to maximum 1 m)
- Protected against reverse polarity
- Can be mounted in any position
- Does not create electromagnetic interference
- In compliance with CE

Technical Data

Dimensions (h x w x d)	135 x 108 x 40 mm
Voltage	12 - 24 V
Pre-wired	Sheathed twin core cable
Cable length	0.27 m
Housing	Aluminium
Material, Lens	Polycarbonate (PC)
Bracket material	BL Black coated
Beam pattern	Flood
Colour temperature	6.000 K
Degree Of Protection	IP67
Lifetime LED	10.000 h
Number of LEDs	9
Polarity	Red + / Black -
Weight	0.41 kg



Title	Power consumption	Max. light output	PU Piece	Article No.
LED work lamp	17 W	2100 lm	1	344101

AGR: 12.473

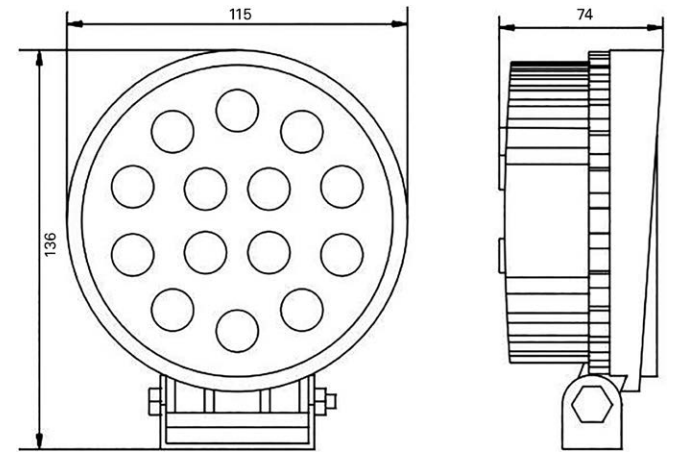
INTERNAL/Approved (2019-03-22 21:17:24)

LED work lamp 30W 2700 lumen **STANDARDline**

- Standard flood LED work lamp for all kind of commercial vehicles, like truck, trailer, agriculture machines, construction machines, etc.
- Produced in China with 6 month manufacturer warranty
- Equipped with 14 LEDs with more than 10.000 burning hours
- Protection class IP67, meaning dust tight and waterproof (immersion in water up to maximum 1 m)
- Protected against reverse polarity
- Can be mounted in any position
- Does not create electromagnetic interference
- In compliance with CE

Technical Data

Dimensions (h x w x d)	136 x 115 x 74 mm
Voltage	12 - 24 V
Pre-wired	Sheathed twin core cable
Cable length	0.28 m
Housing	Aluminium
Material, Lens	Polycarbonate (PC)
Bracket material	A2 plain
Beam pattern	Flood
Colour temperature	6.000 K
Degree Of Protection	IP67
Lifetime LED	10.000 h
Number of LEDs	14
Polarity	Red + / Black -
Weight	0.67 kg



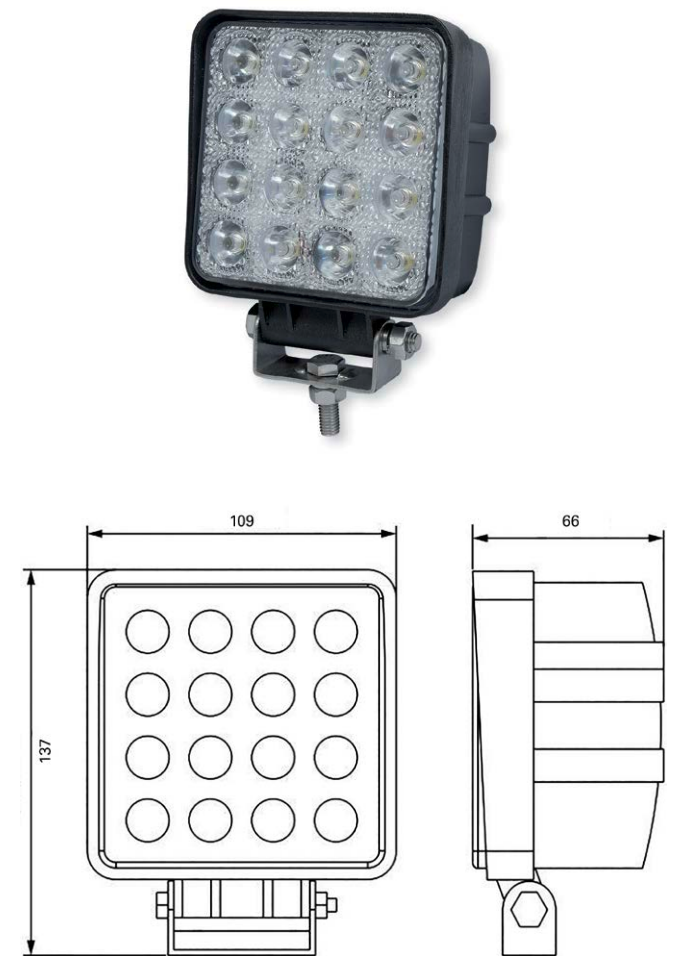
Title	Power consumption	Max. light output	PU Piece	Article No.
LED work lamp AGR: 12.473	30 W	2700 lm	1	344092

LED work lamp 28W 3100 lumen **STANDARDline**

- Standard flood LED work lamp for all kind of commercial vehicles, like truck, trailer, agriculture machines, construction machines, etc.
- Produced in China with 6 month manufacturer warranty
- Equipped with 16 LEDs with more than 10.000 burning hours
- Protection class IP67, meaning dust tight and waterproof (immersion in water up to maximum 1 m)
- Protected against reverse polarity
- Can be mounted in any position
- Does not create electromagnetic interference
- In compliance with CE

Technical Data

Dimensions (h x w x d)	137 x 109 x 66 mm
Voltage	12 - 24 V
Pre-wired	Sheathed twin core cable
Cable length	0.3 m
Housing	Aluminium
Material, Lens	Polycarbonate (PC)
Bracket material	A2 plain
Beam pattern	Flood
Colour temperature	6.000 K
Degree Of Protection	IP67
Lifetime LED	10.000 h
Number of LEDs	16
Polarity	Red + / Black -
Weight	0.62 kg

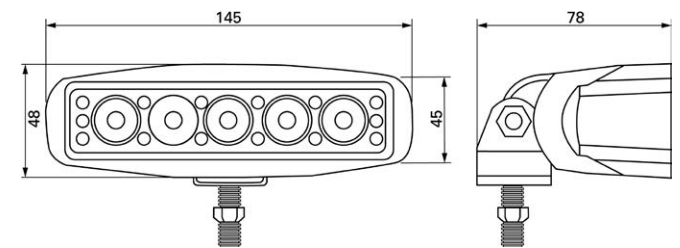


Title	Power consumption	Max. light output	PU Piece	Article No.
LED work lamp	28 W	3100 lm	1	344100

AGR: 12.473

LED work lamp rectangular 15W 1080 lumen **TOPline**

- High quality flood LED work lamp for all kind of commercial vehicles, like truck, trailer, agriculture machines, construction machines, etc.
- Produced in China with 6 month manufacturer warranty
- Equipped with 5 high quality LEDs with more than 30.000 burning hours
- Protected against reverse polarity
- Can be mounted in any position
- Protection class IP67, meaning dust tight and waterproof (immersion in water up to maximum 1 m)
- Does not create electromagnetic interference
- In compliance with CE



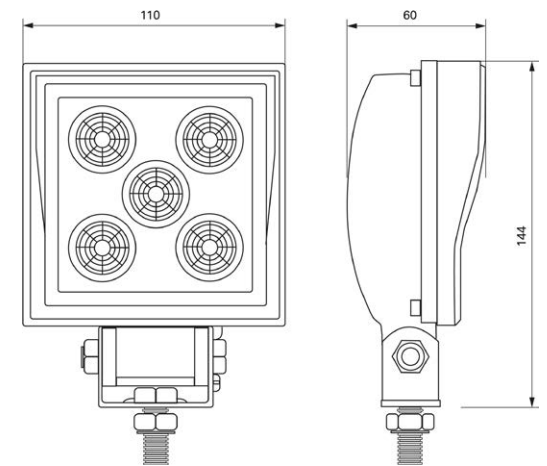
Technical Data

Dimensions (h x w x d)	45 x 145 x 78 mm
Voltage	12 - 24 V
Pre-wired	Sheathed twin core cable
Cable length	0.44 m
Housing	Aluminium
Material, Lens	Polycarbonate (PC)
Bracket material	A2 plain
Beam pattern	Flood
Colour temperature	6.000 K
Degree Of Protection	IP67
Lifetime LED	30.000 h
Number of LEDs	5
Polarity	Black + / White -
Weight	0.6 kg

Title	Power consumption	Max. light output	PU Piece	Article No.
LED work lamp rectangular AGR: 12.473	15 W	1080 lm	1	198637

LED work lamp 15W 1080 lumen **TOPline**

- High quality flood LED work lamp for all kind of commercial vehicles, like truck, trailer, agriculture machines, construction machines, etc.
- Produced in China with 6 month manufacturer warranty
- Equipped with 5 high quality LEDs with more than 30.000 burning hours
- Protected against reverse polarity
- Can be mounted in any position
- Protection class IP67, meaning dust tight and waterproof (immersion in water up to maximum 1 m)
- Does not create electromagnetic interference
- In compliance with CE



Technical Data

Dimensions (h x w x d)	144 x 110 x 60 mm
Voltage	9 - 32 V
Pre-wired	Sheathed twin core cable
Cable length	0.44 m
Housing	Aluminium
Material, Lens	Acrylic (PMMA)
Bracket material	A2 plain
Beam pattern	Flood
Colour temperature	6.000 K
Degree Of Protection	IP67
Lifetime LED	30.000 h
Number of LEDs	5
Polarity	Red + / Black -
Weight	0.7 kg

Title	Power consumption	Max. light output	PU Piece	Article No.
LED work lamp	15 W	1080 lm	1	198635

AGR: 12.473

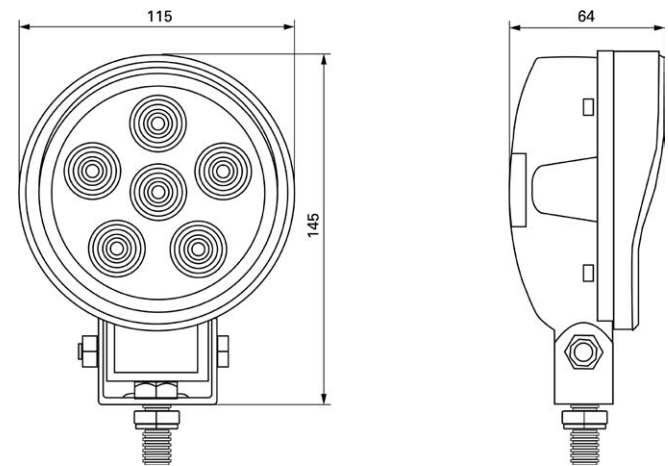
INTERNAL/Approved (2019-03-22 21:17:46)

LED work lamp 18W 1300 lumen **TOPline**

- High quality flood LED work lamp for all kind of commercial vehicles, like truck, trailer, agriculture machines, construction machines, etc.
- Produced in China with 6 month manufacturer warranty
- Equipped with 6 high quality LEDs with more than 30.000 burning hours
- Protected against reverse polarity
- Can be mounted in any position
- Protection class IP67, meaning dust tight and waterproof (immersion in water up to maximum 1 m)
- Does not create electromagnetic interference
- In compliance with CE

Technical Data

Dimensions (h x w x d)	145 x 115 x 64 mm
Voltage	12 - 24 V
Pre-wired	Sheathed twin core cable
Cable length	0.44 m
Housing	Aluminium
Material, Lens	Acrylic (PMMA)
Bracket material	A2 plain
Beam pattern	Flood
Colour temperature	6.000 K
Degree Of Protection	IP67
Lifetime LED	30.000 h
Number of LEDs	6
Polarity	Red + / Black -
Weight	0.65 kg

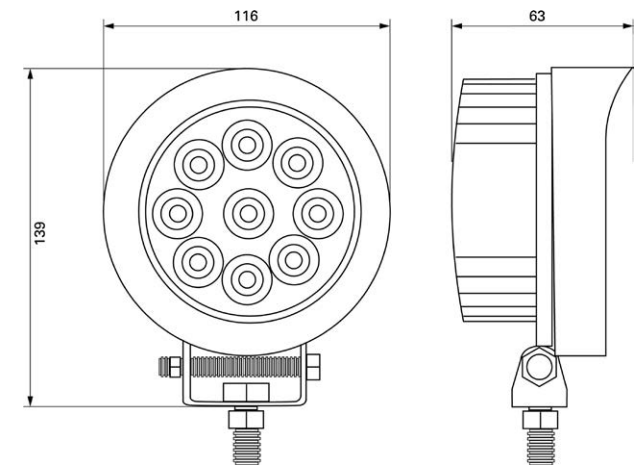


Title	Power consumption	Max. light output	PU Piece	Article No.
LED work lamp	18 W	1300 lm	1	198636

AGR: 12.473

LED work lamp 27W 1750 lumen **TOPline**

- High quality flood LED work lamp for all kind of commercial vehicles, like truck, trailer, agriculture machines, construction machines, etc.
- Produced in China with 6 month manufacturer warranty
- Equipped with 9 high quality LEDs with more than 50.000 burning hours
- Protected against reverse polarity
- Can be mounted in any position
- Protection class IP67, meaning dust tight and waterproof (immersion in water up to maximum 1 m)
- Does not create electromagnetic interference
- In compliance with CE



Technical Data

Dimensions (h x w x d)	139 x 116 x 63 mm
Voltage	12 - 24 V
Pre-wired	Sheathed twin core cable
Cable length	0.4 m
Housing	Aluminium
Material, Lens	Polycarbonate (PC)
Bracket material	A2 plain
Beam pattern	Flood
Colour temperature	6.000 K
Degree Of Protection	IP67
Lifetime LED	50.000 h
Number of LEDs	9
Polarity	Red + / Black -
Weight	0.8 kg

Title	Power consumption	Max. light output	PU Piece	Article No.
LED work lamp	27 W	1750 lm	1	198633

AGR: 12.473

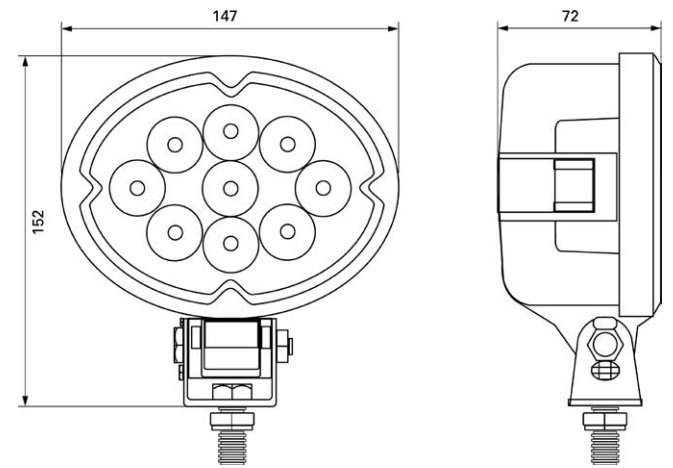
INTERNAL/Approved (2019-03-22 21:17:57)

LED work lamp 27W 1900 lumen **TOPline**

- High quality flood LED work lamp for all kind of commercial vehicles, like truck, trailer, agriculture machines, construction machines, etc.
- Produced in China with 6 month manufacturer warranty
- Equipped with 9 high quality LEDs with more than 50.000 burning hours
- Protected against reverse polarity
- Can be mounted in any position
- Protection class IP67, meaning dust tight and waterproof (immersion in water up to maximum 1 m)
- Does not create electromagnetic interference
- In compliance with CE

Technical Data

Dimensions (h x w x d)	152 x 147 x 72 mm
Voltage	12 - 24 V
Pre-wired	Sheathed twin core cable
Cable length	0.4 m
Housing	Aluminium
Material, Lens	Polycarbonate (PC)
Bracket material	A2 plain
Beam pattern	Flood
Colour temperature	6.000 K
Degree Of Protection	IP67
Lifetime LED	50.000 h
Number of LEDs	9
Polarity	Red + / Black -
Weight	1.15 kg



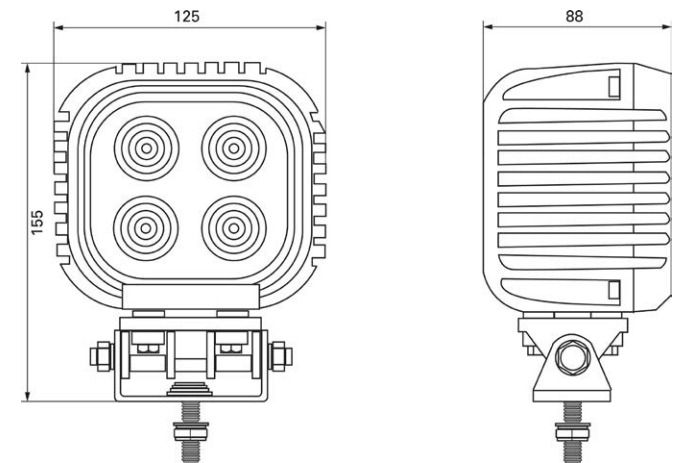
Title	Power consumption	Max. light output	PU Piece	Article No.
LED work lamp	27 W	1900 lm	1	198634

AGR: 12.473

INTERNAL/Approved (2019-03-22 21:18:02)

LED work lamp 40W 2800 lumen **TOPline**

- High quality flood LED work lamp for all kind of commercial vehicles, like truck, trailer, agriculture machines, construction machines, etc.
- Produced in China with 6 month manufacturer warranty
- Equipped with 4 high quality LEDs with more than 50.000 burning hours
- Protected against reverse polarity
- Can be mounted in any position
- Protection class IP67, meaning dust tight and waterproof (immersion in water up to maximum 1 m)
- Does not create electromagnetic interference
- In compliance with CE



Technical Data

Dimensions (h x w x d)	155 x 125 x 88 mm
Voltage	12 - 24 V
Pre-wired	Sheathed twin core cable
Cable length	0.5 m
Housing	Aluminium
Material, Lens	Acrylic (PMMA)
Bracket material	A2 plain
Beam pattern	Flood
Colour temperature	6.000 K
Degree Of Protection	IP67
Lifetime LED	50.000 h
Number of LEDs	4
Polarity	Red + / Black -
Weight	1.45 kg

Title	Power consumption	Max. light output	PU Piece	Article No.
LED work lamp	40 W	2800 lm	1	198639

AGR: 12.473

INTERNAL/Approved (2019-03-22 21:18:08)

LED work lamp blue 10W 700 lumen **TOPline**

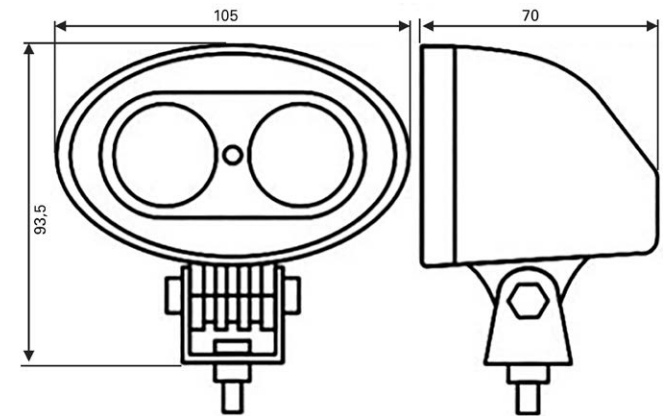
- High quality spot LED work lamp emitting blue light
- Produced in China with 6 month manufacturer warranty
- Equipped with 2 high quality LEDs with more than 50.000 burning hours
- Protected against reverse polarity
- Can be mounted in any position
- Protection class IP67, meaning dust tight and waterproof (immersion in water up to maximum 1 m)
- Does not create electromagnetic interference
- In compliance with CE

Application Area

- Positioning light for vehicles that operate in noisy environments. To protect people by means of indicating that the vehicle moves
- Also used on agriculture machines. The blue light helps to check the spray pattern during crop dusting

Technical Data

Dimensions (h x w x d)	94 x 105 x 70 mm
Voltage	12 - 48 V
Pre-wired	Sheathed twin core cable
Cable length	0.4 m
Housing	Aluminium
Material, Lens	Polycarbonate (PC)
Bracket material	A2 plain
Beam pattern	Spot
Colour temperature	10.000 K
Degree Of Protection	IP67
Lifetime LED	50.000 h
Number of LEDs	2
Polarity	Red + / Black -
Weight	0.43 kg



INTERNAL/Approved (2019-03-22 21:18:12)

Title	Power consumption	Max. light output	PU Piece	Article No.
LED work lamp blue	10 W	700 lm	1	329122

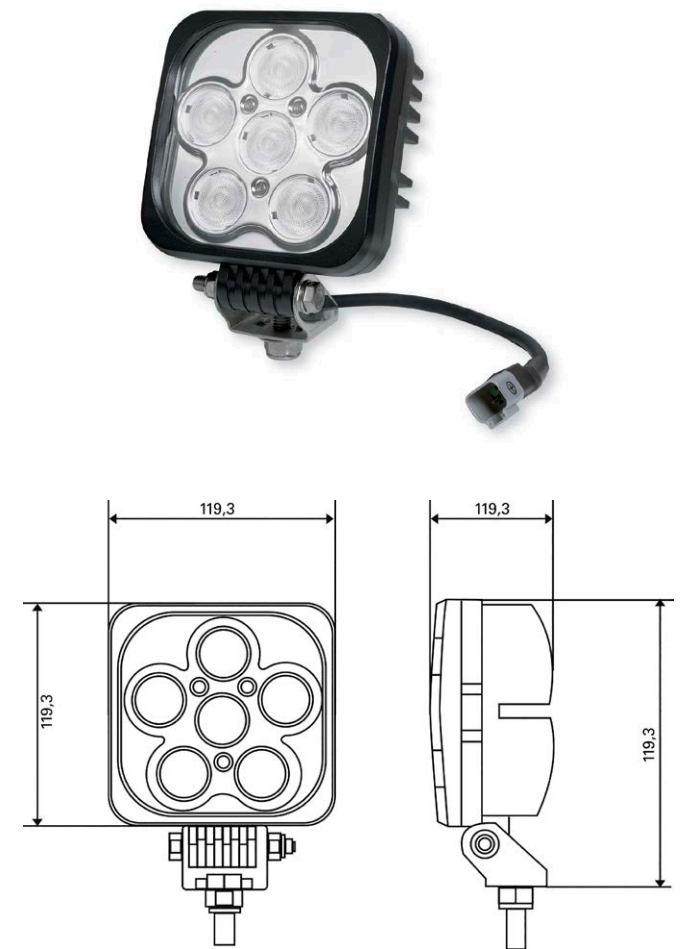
AGR: 12.473

LED work lamp 60W 5400 lumen **PREMIUM**line

- High quality flood LED work lamp for all kind of commercial vehicles, like truck, trailer, agriculture machines, construction machines, etc.
- Produced in China with 6 month manufacturer warranty
- Equipped with 6 high performance LEDs with more than 50.000 burning hours
- The quality of the electronic components used in the LED work lamp ensures long lifespan and a constant level of light output, even in a variety of harsh conditions
- Protected against reverse polarity
- Can be mounted in any position
- Protection class IP68, meaning dust tight and waterproof (water jets and immersion in water deeper than 1 m)
- Does not create electromagnetic interference
- In compliance with CE

Technical Data

Dimensions (h x w x d)	152 x 119 x 65 mm
Voltage	12 - 24 V
Pre-wired	With connector DT
Cable length	0.3 m
Housing	Aluminium
Material, Lens	Polycarbonate (PC)
Bracket material	A2 plain
Beam pattern	Flood
Colour temperature	6.000 K
Degree Of Protection	IP68
Lifetime LED	50.000 h
Number of LEDs	6
Weight	1.0 kg



Title	Power consumption	Max. light output	PU Piece	Article No.
LED work lamp	60 W	5400 lm	1	329120

AGR: 12.473

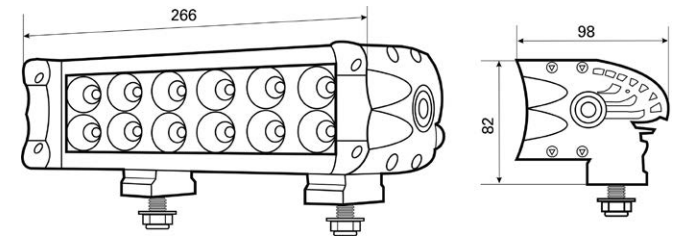
INTERNAL/Approved (2019-03-22 21:18:20)

LED work lamp rectangular 60W 5400 lumen **PREMIUMline**

- High quality flood LED work lamp for all kind of commercial vehicles, like truck, trailer, agriculture machines, construction machines, etc.
- Produced in China with 6 month manufacturer warranty
- Equipped with 12 high performance LEDs with more than 50.000 burning hours
- The quality of the electronic components used in the LED work lamp ensures long lifespan and a constant level of light output, even in a variety of harsh conditions
- Protected against reverse polarity
- Can be mounted in any position
- Protection class IP68, meaning dust tight and waterproof (water jets and immersion in water deeper than 1 m)
- Does not create electromagnetic interference
- In compliance with CE

Hints

- For connecting this LED work lamp to the vehicle, it is supplied with an additional 3.5 m long cable tree with fuseholder, on/off switch and waterproof connector



Technical Data

Dimensions (h x w x d)	82 x 266 x 98 mm
Voltage	12 - 24 V
Pre-wired	With connector AMP
Cable length	0.36 m
Housing	Aluminium
Material, Lens	Polycarbonate (PC)
Bracket material	A2 plain
Beam pattern	Flood
Colour temperature	6.000 K
Degree Of Protection	IP68
Lifetime LED	50.000 h
Number of LEDs	12
Weight	1.34 kg

Title Power consumption Max. light output

PU
Piece

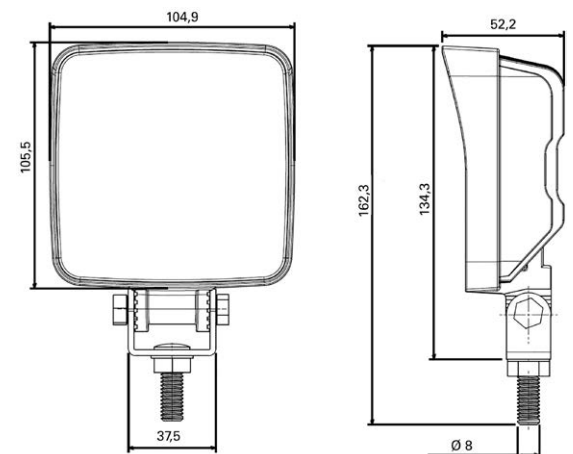
Article No.

LED work lamp rectangular	60 W	5400 lm	1	329119
---------------------------	------	---------	---	--------

AGR: 12.473

LED work lamp reverse & ADR 18W 1440 lumen **TOPline**

- High quality flood LED work lamp for truck and trailer
- Produced in Taiwan with 6 month manufacturer warranty
- Equipped with 6 high quality LEDs with more than 30.000 burning hours
- Protected against reverse polarity
- Can be mounted in any position
- Protection class IP69K, meaning dust tight and protected against close-range high pressure, high temperature spray downs
- Does not create electromagnetic interference
- In compliance with CE
- This LED lamp can be used for ADR applications and also as reverse light



Technical Data

Dimensions (h x w x d)	106 x 105 x 52 mm
Voltage	12 - 24 V
Pre-wired	Sheathed twin core cable
Cable length	0.28 m
Housing	Aluminium
Material, Lens	Polycarbonate (PC)
Bracket material	A2 plain
Beam pattern	Flood
Colour temperature	6.000 K
Degree Of Protection	IP69K
Lifetime LED	30.000 h
Number of LEDs	6
Polarity	Black + / White -
ADR permitted	Yes
Weight	0.52 kg

INTERNAL/Approved (2019-03-22 21:18:24)

Title	Power consumption	Max. light output	PU Piece	Article No.
LED work lamp	18 W	1440 lm	1	341553

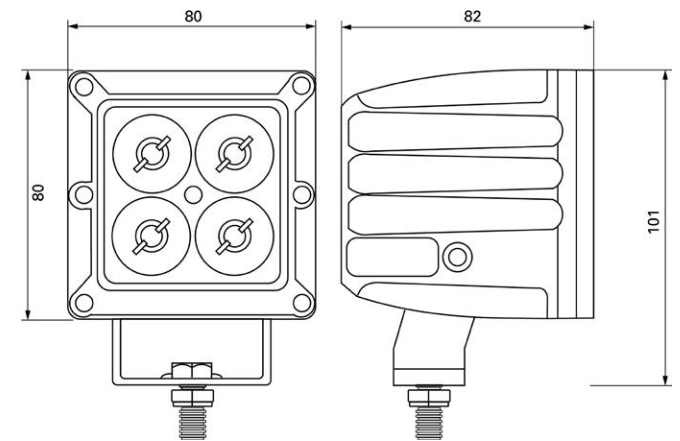
AGR: 12.473

LED work lamp spot 15W 1400 lumen **TOPline**

- High quality spot LED work lamp for all kind of commercial vehicles, like truck, trailer, agriculture machines, construction machines, etc.
- Produced in China with 6 month manufacturer warranty
- Equipped with 4 high quality LEDs with more than 50.000 burning hours
- Protected against reverse polarity
- Can be mounted in any position
- Protection class IP67, meaning dust tight and waterproof (immersion in water up to maximum 1 m)
- Does not create electromagnetic interference
- In compliance with CE

Technical Data

Dimensions (h x w x d)	101 x 80 x 82 mm
Voltage	12 - 24 V
Pre-wired	Sheathed twin core cable
Cable length	0.5 m
Housing	Aluminium
Material, Lens	Acrylic (PMMA)
Bracket material	A2 plain
Beam pattern	Spot
Colour temperature	6.500 K
Degree Of Protection	IP67
Lifetime LED	50.000 h
Number of LEDs	4
Polarity	Red + / Black -
Weight	0.61 kg

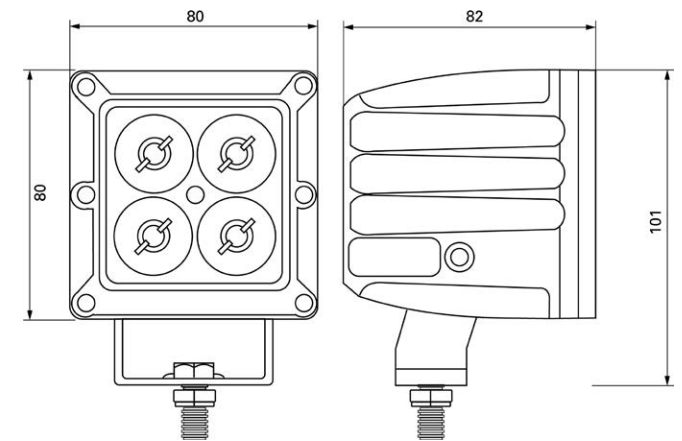


Title	Power consumption	Max. light output	PU Piece	Article No.
LED work lamp	15 W	1400 lm	1	343799

AGR: 12.473

LED work lamp flood 15W 1400 lumen **TOPline**

- High quality flood LED work lamp for all kind of commercial vehicles, like truck, trailer, agriculture machines, construction machines, etc.
- Produced in China with 6 month manufacturer warranty
- Equipped with 4 high quality LEDs with more than 50.000 burning hours
- Protected against reverse polarity
- Can be mounted in any position
- Protection class IP67, meaning dust tight and waterproof (immersion in water up to maximum 1 m)
- Does not create electromagnetic interference
- In compliance with CE



Technical Data

Dimensions (h x w x d)	101 x 80 x 82 mm
Voltage	12 - 24 V
Pre-wired	Sheathed twin core cable
Cable length	0.5 m
Housing	Aluminium
Material, Lens	Acrylic (PMMA)
Bracket material	A2 plain
Beam pattern	Flood
Colour temperature	6.500 K
Degree Of Protection	IP67
Lifetime LED	50.000 h
Number of LEDs	4
Polarity	Red + / Black -
Weight	0.61 kg

Title	Power consumption	Max. light output	PU Piece	Article No.
LED work lamp	15 W	1400 lm	1	344091

AGR: 12.473

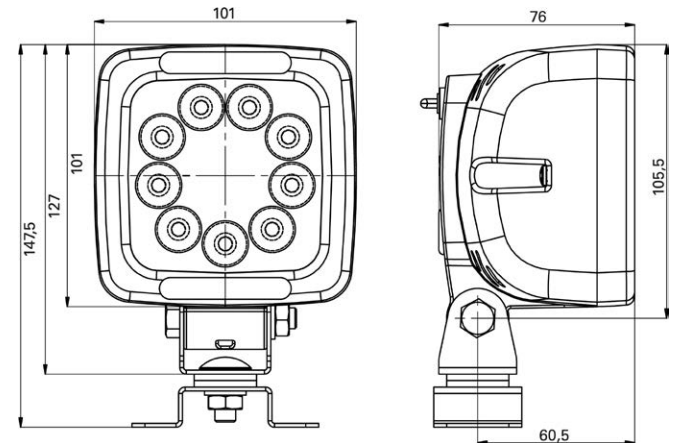
INTERNAL/Approved (2019-03-22 21:18:38)

LED work lamp 17W 1750 lumen **PREMIUMline**

- European quality flood LED work lamp for all kind of commercial vehicles, like truck, trailer, agriculture machines, construction machines, etc.
- Produced in Poland with 2 years manufacturer warranty
- Equipped with 12 high performance LEDs with more than 60.000 burning hours
- The quality of the electronic components used in the LED work lamp ensures long lifespan and a constant level of light output, even in a variety of harsh conditions
- Protected against reverse polarity
- Can be mounted in any position
- Protection class IP68, meaning dust tight and waterproof (water jets and immersion in water deeper than 1 m)
- Meets with ECE R10, does not create electromagnetic interference
- In compliance with E20

Technical Data

Dimensions (h x w x d)	148 x 101 x 76 mm
Voltage	12 - 24 V
Pre-wired	Sheathed twin core cable
Cable length	2.5 m
Housing	Polypropylene (PP)
Material, Lens	Polycarbonate (PC)
Bracket material	A2 plain
Beam pattern	Flood
Colour temperature	5.100 K
Degree Of Protection	IP68
Lifetime LED	60.000 h
Number of LEDs	12
Polarity	Black + / White -
Weight	0.6 kg

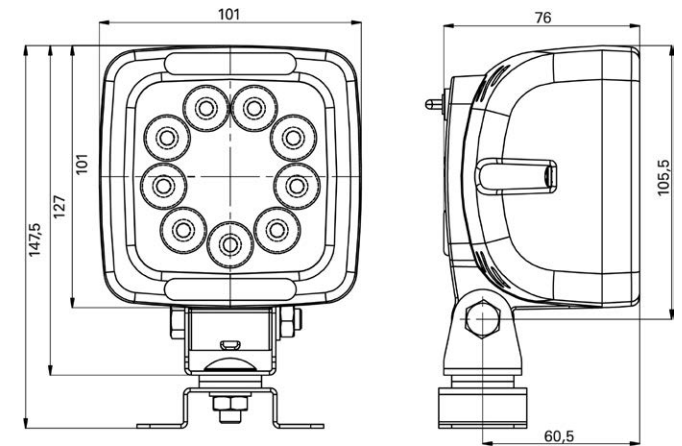


Title	Power consumption	Max. light output	PU Piece	Article No.
LED work lamp	17 W	1750 lm	1	344066

AGR: 12.473

LED work lamp R23 17W 1750 lumen **PREMIUM**line

- European quality flood LED work lamp for all kind of commercial vehicles, like truck, trailer, agriculture machines, construction machines, etc.
- Produced in Poland with 2 years manufacturer warranty
- Equipped with 12 high performance LEDs with more than 60.000 burning hours
- The quality of the electronic components used in the LED work lamp ensures long lifespan and a constant level of light output, even in a variety of harsh conditions
- Protected against reverse polarity
- Can be mounted in any position
- Protection class IP68, meaning dust tight and waterproof (water jets and immersion in water deeper than 1 m)
- Meets with ECE R10, does not create electromagnetic interference
- In compliance with E20
- This LED lamp has 2 functions and can be used as work lamp and as reverse light. This in compliance with ECE R23



Hints

- Use the yellow wire to connect the reverse light

Technical Data

Dimensions (h x w x d)	148 x 101 x 76 mm
Voltage	12 - 24 V
Cable length	2.5 m
Housing	Polypropylene (PP)
Material, Lens	Polycarbonate (PC)
Bracket material	A2 plain
Beam pattern	Flood
Colour temperature	4.900 K
Degree Of Protection	IP68
Lifetime LED	60.000 h
Number of LEDs	12
Weight	0.6 kg

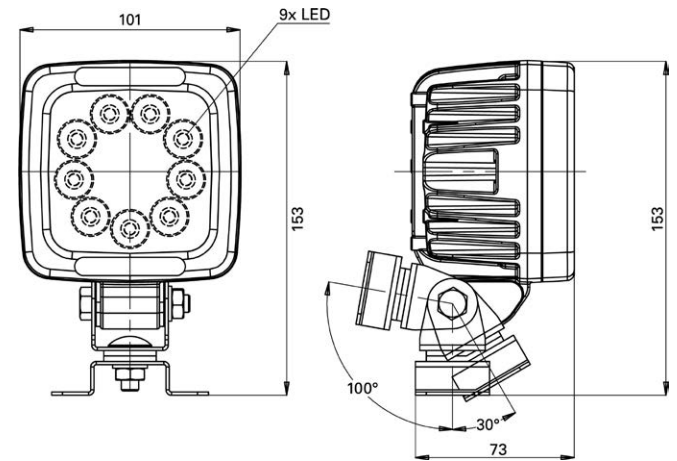
Title	Power consumption	Max. light output	PU Piece	Article No.
LED work lamp & reverse light	17 W	1750 lm	1	344068

AGR: 12.473

INTERNAL/Approved (2019-03-22 21:18:49)

LED work lamp 36W 3000 lumen **PREMIUM**line

- European quality flood LED work lamp for all kind of commercial vehicles, like truck, trailer, agriculture machines, construction machines, etc.
- Produced in Poland with 2 years manufacturer warranty
- Equipped with 9 high performance LEDs with more than 60.000 burning hours
- The quality of the electronic components used in the LED work lamp ensures long lifespan and a constant level of light output, even in a variety of harsh conditions
- Protected against reverse polarity
- Can be mounted in any position
- Protection class IP68, meaning dust tight and waterproof (water jets and immersion in water deeper than 1 m)
- Meets with ECE R10, does not create electromagnetic interference
- In compliance with E20



Technical Data

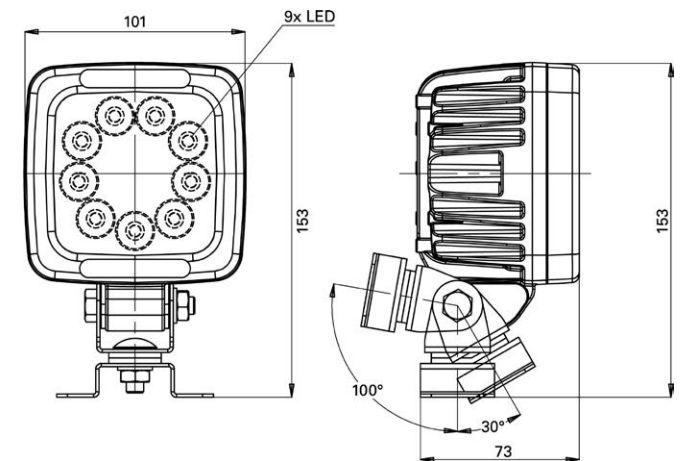
Dimensions (h x w x d)	153 x 101 x 73 mm
Voltage	12 - 24 V
Pre-wired	With connector DT integrated in housing
Cable length	2.5 m
Housing	Aluminium
Material, Lens	Polycarbonate (PC)
Bracket material	A2 plain
Beam pattern	Flood
Colour temperature	5.000 K
Degree Of Protection	IP68
Lifetime LED	60.000 h
Number of LEDs	9
Polarity	Black + / White -
Weight	1.05 kg

Title	Power consumption	Max. light output	PU Piece	Article No.
LED work lamp with built-in DT connector	36 W	3000 lm	1	344077

AGR: 12.473

LED work lamp 36W 3000 lumen **PREMIUM**line

- European quality flood LED work lamp for all kind of commercial vehicles, like truck, trailer, agriculture machines, construction machines, etc.
- Produced in Poland with 2 years manufacturer warranty
- Equipped with 9 high performance LEDs with more than 60.000 burning hours
- The quality of the electronic components used in the LED work lamp ensures long lifespan and a constant level of light output, even in a variety of harsh conditions
- Protected against reverse polarity
- Can be mounted in any position
- Protection class IP68, meaning dust tight and waterproof (water jets and immersion in water deeper than 1 m)
- Meets with ECE R10, does not create electromagnetic interference
- In compliance with E20



Technical Data

Dimensions (h x w x d)	153 x 101 x 73 mm
Voltage	12 - 24 V
Pre-wired	Sheathed twin core cable
Cable length	2.5 m
Housing	Aluminium
Material, Lens	Polycarbonate (PC)
Bracket material	A2 plain
Beam pattern	Flood
Colour temperature	5.000 K
Degree Of Protection	IP68
Lifetime LED	60.000 h
Number of LEDs	9
Polarity	Black + / White -
Weight	1.05 kg

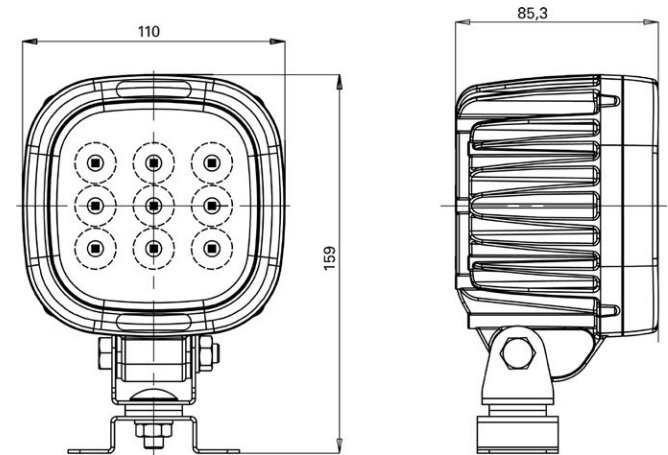
Title	Power consumption	Max. light output	PU Piece	Article No.
LED work lamp	36 W	3000 lm	1	344076

AGR: 12.473

INTERNAL/Approved (2019-03-22 21:19:00)

LED work lamp flood 44W 3900 lumen PREMIUMline

- European quality flood LED work lamp for all kind of commercial vehicles, like truck, trailer, agriculture machines, construction machines, etc.
- Produced in Poland with 2 years manufacturer warranty
- Equipped with 9 high performance LEDs with more than 60.000 burning hours
- The quality of the electronic components used in the LED work lamp ensures long lifespan and a constant level of light output, even in a variety of harsh conditions
- Protected against reverse polarity
- Can be mounted in any position
- Protection class IP68, meaning dust tight and waterproof (water jets and immersion in water deeper than 1 m)
- Meets with ECE R10, does not create electromagnetic interference
- In compliance with E20



Technical Data

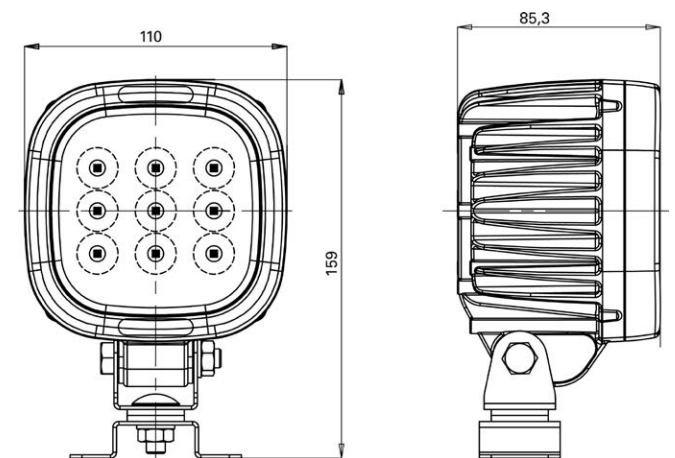
Dimensions (h x w x d)	159 x 110 x 85 mm
Voltage	12 - 24 V
Pre-wired	Sheathed twin core cable
Cable length	2.5 m
Housing	Aluminium
Material, Lens	Polycarbonate (PC)
Bracket material	A2 plain
Beam pattern	Flood
Colour temperature	4.700 K
Degree Of Protection	IP68
Lifetime LED	60.000 h
Number of LEDs	9
Polarity	Black + / White -
Weight	1.1 kg

Title	Power consumption	Max. light output	PU Piece	Article No.
LED work lamp AGR: 12.473	44 W	3900 lm	1	344069

LED work lamp spot 44W 3900 lumen

PREMIUM*line*

- European quality spot LED work lamp for all kind of commercial vehicles, like truck, trailer, agriculture machines, construction machines, etc.
- Produced in Poland with 2 years manufacturer warranty
- Equipped with 9 high performance LEDs with more than 60.000 burning hours
- The quality of the electronic components used in the LED work lamp ensures long lifespan and a constant level of light output, even in a variety of harsh conditions
- Protected against reverse polarity
- Can be mounted in any position
- Protection class IP68, meaning dust tight and waterproof (water jets and immersion in water deeper than 1 m)
- Meets with ECE R10, does not create electromagnetic interference
- In compliance with E20



Technical Data

Dimensions (h x w x d)	159 x 110 x 85 mm
Voltage	12 - 24 V
Pre-wired	Sheathed twin core cable
Cable length	2.5 m
Housing	Aluminium
Material, Lens	Polycarbonate (PC)
Bracket material	A2 plain
Beam pattern	Spot
Colour temperature	4.900 K
Degree Of Protection	IP68
Lifetime LED	60.000 h
Number of LEDs	9
Polarity	Black + / White -
Weight	1.1 kg

Title	Power consumption	Max. light output	PU Piece	Article No.
LED work lamp	44 W	3900 lm	1	344070

AGR: 12.473

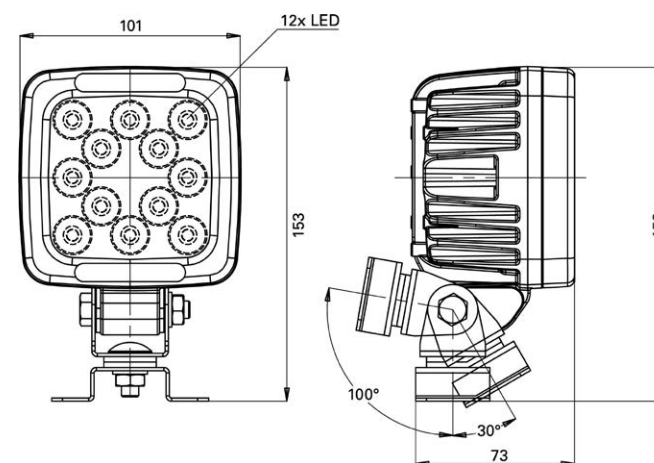
INTERNAL/Approved (2019-03-22 21:19:12)

LED work lamp 50W 4000 lumen **PREMIUMline**

- European quality flood LED work lamp for all kind of commercial vehicles, like truck, trailer, agriculture machines, construction machines, etc.
- Produced in Poland with 2 years manufacturer warranty
- Equipped with 12 high performance LEDs with more than 60.000 burning hours
- The quality of the electronic components used in the LED work lamp ensures long lifespan and a constant level of light output, even in a variety of harsh conditions
- Protected against reverse polarity
- Can be mounted in any position
- Protection class IP68, meaning dust tight and waterproof (water jets and immersion in water deeper than 1 m)
- Meets with ECE R10, does not create electromagnetic interference
- In compliance with E20

Technical Data

Dimensions (h x w x d)	153 x 101 x 73 mm
Voltage	12 - 24 V
Pre-wired	Sheathed twin core cable
Cable length	2.5 m
Housing	Aluminium
Material, Lens	Polycarbonate (PC)
Bracket material	A2 plain
Beam pattern	Flood
Colour temperature	5.300 K
Degree Of Protection	IP68
Lifetime LED	60.000 h
Number of LEDs	12
Polarity	Black + / White -
Weight	1.1 kg

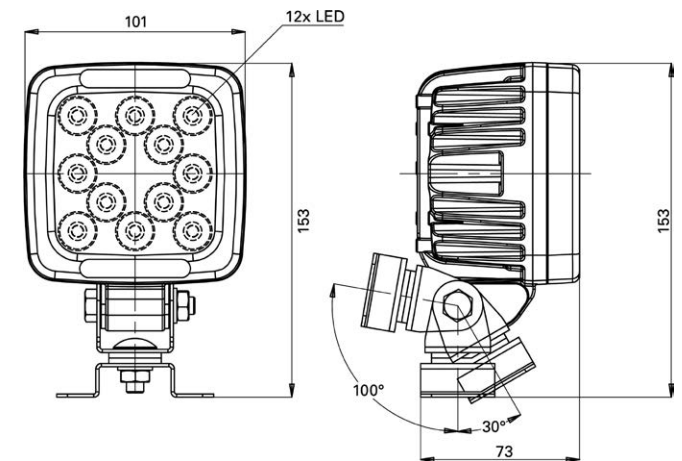


Title	Power consumption	Max. light output	PU Piece	Article No.
LED work lamp	50 W	4000 lm	1	344078

AGR: 12.473

LED work lamp 50W 4000 lumen **PREMIUM**line

- European quality flood LED work lamp for all kind of commercial vehicles, like truck, trailer, agriculture machines, construction machines, etc.
- Produced in Poland with 2 years manufacturer warranty
- Equipped with 12 high performance LEDs with more than 60.000 burning hours
- The quality of the electronic components used in the LED work lamp ensures long lifespan and a constant level of light output, even in a variety of harsh conditions
- Protected against reverse polarity
- Can be mounted in any position
- Protection class IP68, meaning dust tight and waterproof (water jets and immersion in water deeper than 1 m)
- Meets with ECE R10, does not create electromagnetic interference
- In compliance with E20



Technical Data

Dimensions (h x w x d)	153 x 101 x 73 mm
Voltage	12 - 24 V
Pre-wired	With connector DT integrated in housing
Cable length	2.5 m
Housing	Aluminium
Material, Lens	Polycarbonate (PC)
Bracket material	A2 plain
Beam pattern	Flood
Colour temperature	5.300 K
Degree Of Protection	IP68
Lifetime LED	60.000 h
Number of LEDs	12
Polarity	Black + / White -
Weight	1.1 kg

Title	Power consumption	Max. light output	PU Piece	Article No.
LED work lamp with built-in DT connector	50 W	4000 lm	1	344079

AGR: 12.473

INTERNAL/Approved (2019-03-22 21:19:23)

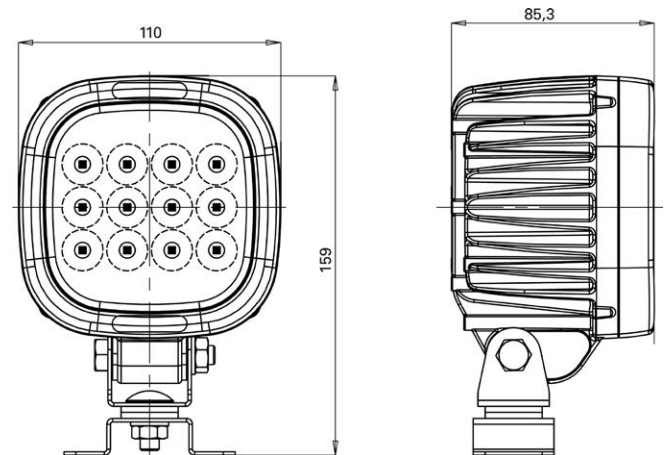
LED work lamp spot 62W 5400 lumen

PREMIUM*line*

- European quality spot LED work lamp for all kind of commercial vehicles, like truck, trailer, agriculture machines, construction machines, etc.
- Produced in Poland with 2 years manufacturer warranty
- Equipped with 12 high performance LEDs with more than 60.000 burning hours
- The quality of the electronic components used in the LED work lamp ensures long lifespan and a constant level of light output, even in a variety of harsh conditions
- Protected against reverse polarity
- Can be mounted in any position
- Protection class IP68, meaning dust tight and waterproof (water jets and immersion in water deeper than 1 m)
- Meets with ECE R10, does not create electromagnetic interference
- In compliance with E20

Technical Data

Dimensions (h x w x d)	159 x 110 x 85 mm
Voltage	12 - 24 V
Pre-wired	Sheathed twin core cable
Cable length	2.5 m
Housing	Aluminium
Material, Lens	Polycarbonate (PC)
Bracket material	A2 plain
Beam pattern	Spot
Colour temperature	5.000 K
Degree Of Protection	IP68
Lifetime LED	60.000 h
Number of LEDs	12
Polarity	Black + / White -
Weight	1.1 kg

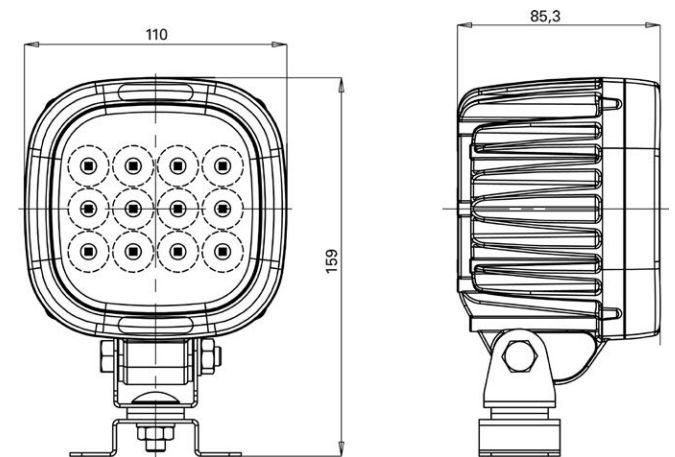


Title	Power consumption	Max. light output	PU Piece	Article No.
LED work lamp	62 W	5400 lm	1	344072

LED work lamp flood 62W 5400 lumen

PREMIUM*line*

- European quality flood LED work lamp for all kind of commercial vehicles, like truck, trailer, agriculture machines, construction machines, etc.
- Produced in Poland with 2 years manufacturer warranty
- Equipped with 12 high performance LEDs with more than 60.000 burning hours
- The quality of the electronic components used in the LED work lamp ensures long lifespan and a constant level of light output, even in a variety of harsh conditions
- Protected against reverse polarity
- Can be mounted in any position
- Protection class IP68, meaning dust tight and waterproof (water jets and immersion in water deeper than 1 m)
- Meets with ECE R10, does not create electromagnetic interference
- In compliance with E20



Technical Data

Dimensions (h x w x d)	159 x 110 x 85 mm
Voltage	12 - 24 V
Pre-wired	Sheathed twin core cable
Cable length	2.5 m
Housing	Aluminium
Material, Lens	Polycarbonate (PC)
Bracket material	A2 plain
Beam pattern	Flood
Colour temperature	5.400 K
Degree Of Protection	IP68
Lifetime LED	60.000 h
Number of LEDs	12
Polarity	Black + / White -
Weight	1.1 kg

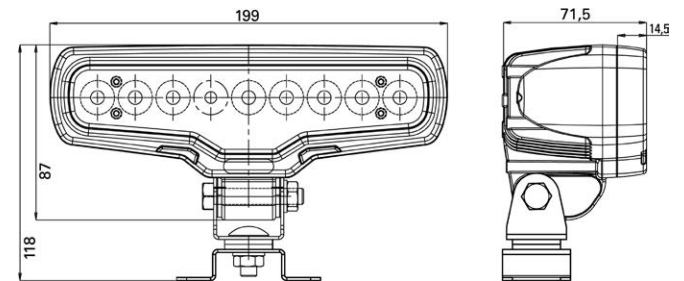
Title	Power consumption	Max. light output	PU Piece	Article No.
LED work lamp	62 W	5400 lm	1	344071

AGR: 12.473

LED work lamp spot 47W 4100 lumen

PREMIUM*line*

- European quality spot LED work lamp for all kind of commercial vehicles, like truck, trailer, agriculture machines, construction machines, etc.
- Produced in Poland with 2 years manufacturer warranty
- Equipped with 9 high performance LEDs with more than 60.000 burning hours
- The quality of the electronic components used in the LED work lamp ensures long lifespan and a constant level of light output, even in a variety of harsh conditions
- Protected against reverse polarity
- Can be mounted in any position
- Protection class IP68, meaning dust tight and waterproof (water jets and immersion in water deeper than 1 m)
- Meets with ECE R10, does not create electromagnetic interference
- In compliance with E20



Technical Data

Dimensions (h x w x d)	118 x 199 x 72 mm
Voltage	12 - 24 V
Pre-wired	Sheathed twin core cable
Cable length	2.5 m
Housing	Aluminium
Material, Lens	Polycarbonate (PC)
Bracket material	A2 plain
Beam pattern	Spot
Colour temperature	5.300 K
Degree Of Protection	IP68
Lifetime LED	60.000 h
Number of LEDs	9
Polarity	Black + / White -
Weight	1.2 kg

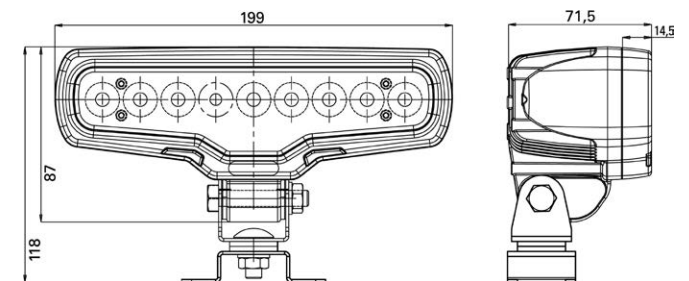
Title	Power consumption	Max. light output	PU Piece	Article No.
LED work lamp	47 W	4100 lm	1	344075

AGR: 12.473

LED work lamp flood 47W 4100 lumen

PREMIUMline

- European quality flood LED work lamp for all kind of commercial vehicles, like truck, trailer, agriculture machines, construction machines, etc.
- Produced in Poland with 2 years manufacturer warranty
- Equipped with 9 high performance LEDs with more than 60.000 burning hours
- The quality of the electronic components used in the LED work lamp ensures long lifespan and a constant level of light output, even in a variety of harsh conditions
- Protected against reverse polarity
- Can be mounted in any position
- Protection class IP68, meaning dust tight and waterproof (water jets and immersion in water deeper than 1 m)
- Meets with ECE R10, does not create electromagnetic interference
- In compliance with E20



Technical Data

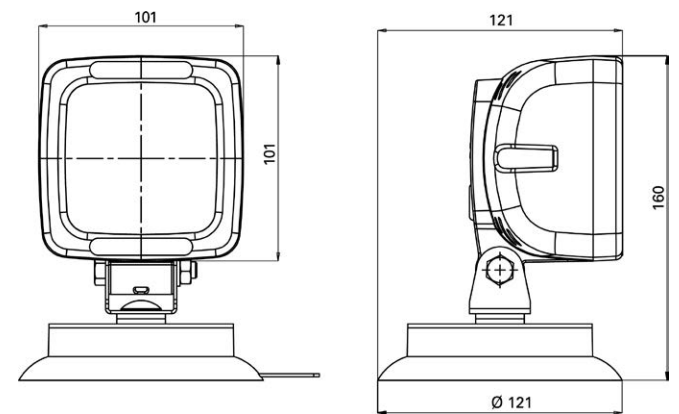
Dimensions (h x w x d)	118 x 199 x 72 mm
Voltage	12 - 24 V
Pre-wired	Sheathed twin core cable
Cable length	2.5 m
Housing	Aluminium
Material, Lens	Polycarbonate (PC)
Bracket material	A2 plain
Beam pattern	Flood
Colour temperature	5.300 K
Degree Of Protection	IP68
Lifetime LED	60.000 h
Number of LEDs	9
Polarity	Black + / White -
Weight	1.2 kg

Title	Power consumption	Max. light output	PU Piece	Article No.
LED work lamp	47 W	4100 lm	1	344074

AGR: 12.473

LED work lamp magnetic 17W 1750 lumen **PREMIUMline**

- European quality flood LED work lamp for all kind of commercial vehicles, like truck, trailer, agriculture machines, construction machines, etc.
- Produced in Poland with 2 years manufacturer warranty
- Equipped with 12 high performance LEDs with more than 60.000 burning hours
- The quality of the electronic components used in the LED work lamp ensures long lifespan and a constant level of light output, even in a variety of harsh conditions
- Protected against reverse polarity
- Can be mounted in any position
- Protection class IP68, meaning dust tight and waterproof (water jets and immersion in water deeper than 1 m)
- Meets with ECE R10, does not create electromagnetic interference
- In compliance with E20
- This LED work lamp is flexible in use due to magnetic base, suction cup, coil cable with up to 7 meter working length and cigarette lighter plug
- Ideal on the road at night for inspection of equipment or for emergency repairs



Technical Data

Dimensions (h x w x d)	160 x 121 x 121 mm
Voltage	12 - 24 V
Housing	Polypropylene (PP)
Material, Lens	Polycarbonate (PC)
Bracket material	A2 plain
Beam pattern	Flood
Colour temperature	5.100 K
Degree Of Protection	IP68
Lifetime LED	60.000 h
Number of LEDs	12
Weight	0.8 kg

Title	Power consumption	Max. light output	PU Piece	Article No.
LED work lamp magnetic AGR: 12.473	17 W	1750 lm	1	344067

LED work lamp 42W 5400 lumen **PREMIUM**line

- High quality flood LED work lamp for all kind of commercial vehicles, like truck, agriculture machines, construction machines, etc.
- Produced in China with 6 month manufacturer warranty
- Equipped with 6 high performance LEDs with more than 50.000 burning hours
- The quality of the electronic components used in the LED work lamp ensures long lifespan and a constant level of light output, even in a variety of harsh conditions
- Protected against reverse polarity
- Can be mounted in any position
- Protection class IP68, meaning dust tight and waterproof (water jets and immersion in water deeper than 1 m)
- Does not create electromagnetic interference
- In compliance with CE

Technical Data

Dimensions (h x w x d)	130 x 155 x 66 mm
Voltage	12 - 24 V
Pre-wired	With connector DT
Cable length	0.37 m
Housing	Aluminium
Material, Lens	Polycarbonate washer
Bracket material	A2 plain
Beam pattern	Flood
Colour temperature	6.000 K
Degree Of Protection	IP68
Lifetime LED	50.000 h
Number of LEDs	6
Weight	0.94 kg



Title	Power consumption	Max. light output	PU Piece	Article No.
LED work lamp	42 W	5400 lm	1	344083

AGR: 12.473

INTERNAL/Approved (2019-03-22 21:19:58)

LED Warning Light for Truck Loading Ramps 24 V

- Lifetime > 10.000 operating hours

Application Area

- For truck loading ramps

Characteristics

- Upper part made of zinc die-cast, water- and dust-tight LED diode block, GGVS-tested, OEM-version, connection cable 12 cm

Technical Data

Voltage	12 V 24 V
---------	--------------

Title	PU Piece	Article No.
LED Flasher f. Load Lift Plattformen	1	170454

AGR: 12.472

LED Flasher for Truck Loading Ramps 24V (EU)

- Enhanced safety level flash is visible from the back and the sides. (2 LEDs)

Application Area

- For truck loading ramps

Technical Data

Voltage	12 V 24 V
---------	--------------

Title	Length	Width	PU Piece	Article No.
LED Flasher f. Load Lift Plattformen (EU)	85 mm	85 mm	1	047026*

* = The delivery time is 21 days

AGR: 12.472



LED Warning Signal Safety Lamp

Characteristics

- LED lighting technology, flashing light or steady light adjustable, with built-in battery tester, ADR/ADR-tested, MOT-tested (K452), dimensions: 178.5 x 72 x 40.5 mm (W x H x D)

Hints

- Obligation to carry for vehicles over 3.5 tons in Germany (§ 53a para 1 StVZO)
- Batteries are to be ordered separately (2 pcs LR 20 D-cell - 1.5 V)



Title	PU Piece	Article No.
Safty Warning Light (LED)	1	047091
AGR: 12.472		
Accessories Available	PU Piece	Article No.
Batterie Mono LR20 1,5V X-tra	1/10	332676

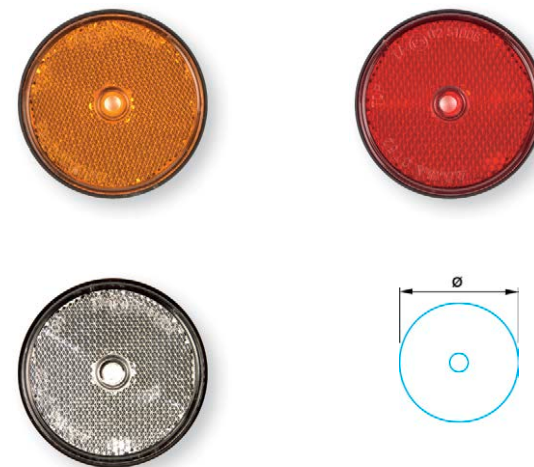
Reflectors – Round Shape

Characteristics

- With Screw Hole \varnothing 5 mm
- E-checked

Technical Data

Mounting Hole- \varnothing 5 mm



Title	Color	\varnothing	Fastening Type	PU Piece	Article No.
Reflector	Red	60 mm	Self adhesive / screw hole	10	047032
Reflector	Red	60 mm	Screw hole	10	047035
Reflector	White	60 mm	Self adhesive / screw hole	10	047034
Reflector	White	60 mm	Screw hole	10	047037
Reflector	Yellow	60 mm	Self adhesive / screw hole	10	047033
Reflector	Yellow	60 mm	Screw hole	10	047036

AGR: 12.474

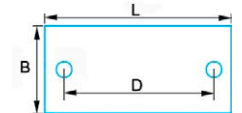
Reflectors – Rectangular Shape

Characteristics

- With 2 Screw Holes \varnothing 4 mm
- E-checked

Technical Data

Fixing Hole Distance	90 mm
Mounting Hole- \varnothing	4 mm



Title	Color	Length	Width	Fastening Type	PU Piece	Article No.
Reflector	Red	106 mm	50 mm	Self adhesive / screw hole	10	047038
Reflector	Red	106 mm	50 mm	Screw hole	10	047041
Reflector	White	106 mm	50 mm	Self adhesive / screw hole	10	047040
Reflector	White	106 mm	50 mm	Screw hole	10	047043
Reflector	Yellow	106 mm	50 mm	Self adhesive / screw hole	10	047039
Reflector	Yellow	106 mm	50 mm	Screw hole	10	047042

AGR: 12.474

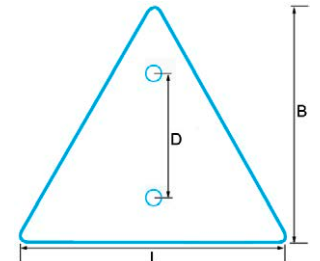
Reflector – Triangular Shape

Characteristics

- With 2 Screw Holes \varnothing 5 mm
- E-checked

Technical Data

Fixing Hole Distance	70 mm
Mounting Hole- \varnothing	5 mm



Title	Color	Length	Width	Fastening Type	PU Piece	Article No.
Reflector	Red	155 mm	135 mm	Screw hole	10	047044

AGR: 12.474

Multi-Chamber Light Europoint I

Application Area

- Universally applicable for trailers and semi-trailers

Characteristics

- Indicator, stop, rear, rear fog, reversing, outline marker and side marker lights with integrated triangle reflector

Hints

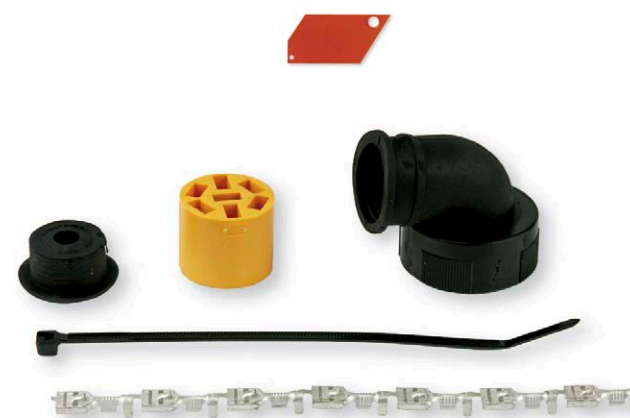
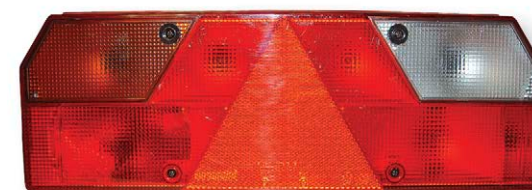
- Art.-No. 55349 and 55350 incl. illuminant
- Illuminant to be ordered separately

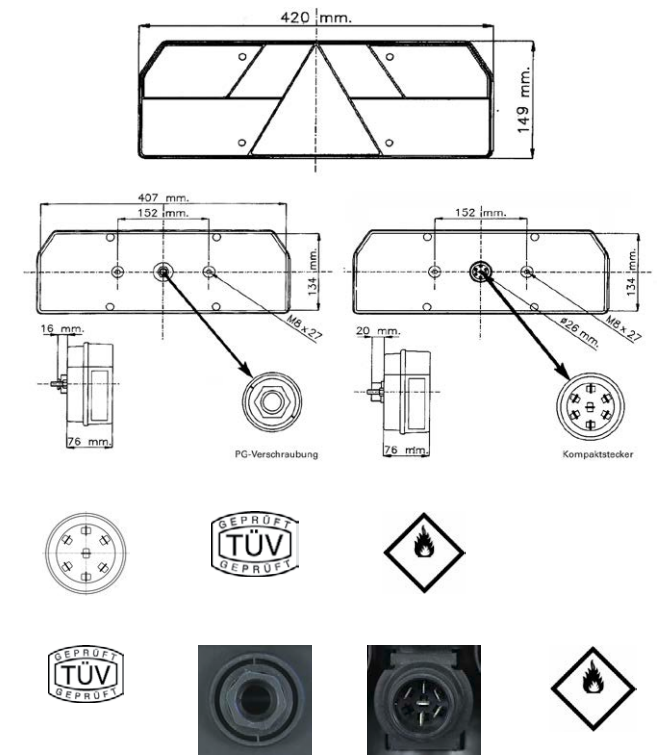
Scope Of Delivery

- Screw connection included (M8 x 30, A2) for fixing
- Bulbs included
- Integrated triangle reflector, therefore no further installation needed

Technical Data

Voltage	24 V
Type Of Connection	Compact plug





Title	Overall dimension	Position	Manufacturer	OEM	Reflex Reflector	PU Piece	Article No.
Rear Combination Lamp	420 x 147 x 76 mm	Left	Aspöck	25-5000-511	Triangle reflector	1	055349
Rear Combination Lamp	420 x 147 x 76 mm	right	Aspöck	25-5400-511	Triangle reflector	1	055350

AGR: 12.470

Accessories Available

	PU Piece	Article No.
Compact 7-pin plug	1	055361
Sphere Bulbs Orange 24V 21W BA	10	181650
Sphere Bulbs Orange 24V 21/5W	10	369187
Sphere Bulbs Orange 24V HD	10/30	251534
Sphere Bulbs Orange 24V 5W	10	180025

Spare Parts

	PU Amount	Article No.
Lens right / left	1	055351

INTERNAL/Approved (2019-03-22 21:20:42)

Multi-Chamber Light Europoint II

Application Area

- Universally applicable for trailers and semi-trailers

Characteristics

- Indicator, stop, rear, rear fog, reversing, outline marker and side marker lights with integrated triangle reflector

Hints

- Incl. Illuminant

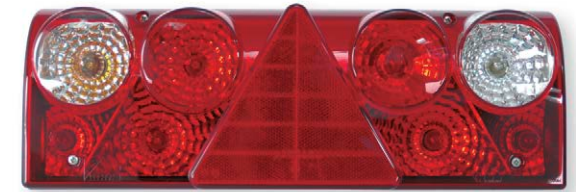
Scope Of Delivery

- Screw connection included (M8 x 30, A2) for fixing
- Bulbs included
- Integrated triangle reflector, therefore no further installation needed

Technical Data

Type Of Connection

Compact plug



Title	Overall dimension	Position	Manufacturer	OEM	Reflex Reflector	PU Piece	Article No.
Multi-Chamber Light Europoint	420 x 148 x 85 x 30 mm	Left	Aspöck	25-6000-501 / 25-6000-507	Triangle reflector	1	055358
Multi-Chamber Light Europoint	420 x 148 x 85 x 30 mm	right	Aspöck	25-6400-501 / 25-6400-507	Rectangle reflector	1	055359

AGR: 12.470

Accessories Available

	PU Piece	Article No.
Compact 7-pin plug	1	055361
Sphere Bulbs Orange 24V 10W	10	180017
Sphere Bulbs Orange 24V HD	10/30	251534
Sphere Bulbs Orange 24V 21W BA	10	181650
Sphere Bulbs Orange 24V 21/5W	10	369187
Sphere Bulbs Orange 24V 21W orange HD	10	004283
LED-UNIT DIRECTION INDICATOR	1	055363
LED UNIT REARLIGHT	1	055362
LED-UNIT STOPLIGHT	1	055364

Spare Parts

	PU Piece	Article No.
Glass Panel Europoint II	1	055360

3-chamber light

Application Area

- In the agricultural sector

Characteristics

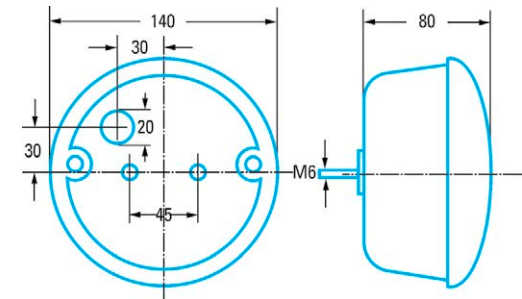
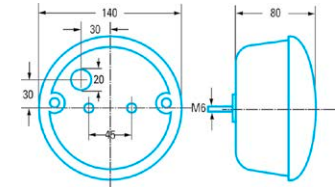
- Flashing light, stoplight, rear light

Hints

- No pre-cabeling

Scope Of Delivery

- Screw connection included (M8 x 30, A2) for fixing
- No bulb included



Title	Overall dimension	Position	Manufacturer	OEM	PU Piece	Article No.
LENS REAR COMB. LAMP	140 x 140 x 28 mm	Right / left	Aspöck	18-8382-107	2	055327
REAR COMBINATION LAMP RND.	140 x 140 x 80 mm	Right / left	Aspöck	23-8200-017	1	055325
AGR: 12.470						
Accessories Available					PU Piece	Article No.
BULB 24V / 5W BA15S HD E1					10	154130

Compact Plug

Application Area

- The 7-pole contact plug fits for Eco- as well as Europoint I and II

Characteristics

- Waterproof

Hints

- Waterproof, no oxidation of the contacts

Scope Of Delivery

- Rubber grommet
- Union nut
- Contact housing
- Flat plug 6.3 mm
- Cable tie



Title	Manufacturer	OEM	PU Piece	Article No.
Compact 7-pin plug	Aspöck	13-5626-704 / 13-5626-724	1	055361

AGR: 12.470

Unit Rearlight LED



Reflectors



Title	Manufacturer	OEM	PU Piece	Article No.
LED-Unit Rear Light	Aspöck	12-1560-001	1	055362
LED-Unit Indicator Light	Aspöck	12-1560-011	1	055363
LED-Unit Brake Lamp	Aspöck	12-1560-041	1	055364

AGR: 12.470

Side Marker Lights LED

Application Area

- Suitable for installation

Characteristics

- Waterproof

Hints

- Without a cable
- Increased lifetime through the poured-in diode



Title	Overall dimension	Position	Manufacturer	OEM	PU Piece	Article No.
LED SM-LAMP YE OV 24V ASSV AGR: 12.471	119 x 44 x 16 mm	Sideways	Aspöck	21-2000-000	1	058209

Side Marker Lights LED

Application Area

- Suitable for installation

Characteristics

- Installation housing, rubber grommet 90°

Hints

- Only one LED, therefore low power consumption

Technical Data

Type Of Connection	Rubber nozzle
--------------------	---------------



Title	Overall dimension	Position	Manufacturer	OEM	PU Piece	Article No.
LED SM-LAMP 90 YE RECT 24V AGR: 12.471	95 x 31 x 74.3 x 11.3 mm	Sideways	Aspöck	21-2201-004	1	058212

Outline light round 24 V

Characteristics

- Overcoming cable length approx. Cable length ca. 12 cm, fixation holes 2 x 6,5 mm, hole distance 77 mm, length 90 mm

Technical Data

Voltage	12 V 24 V
Type Of Connection	Cable



Title	Overall dimension	Position	Manufacturer	OEM	PU Piece	Article No.
Outline Light 90°	192 x 152 x 69 mm	Right / left	Hella	2XS955232001	1	113145
Outline Light 90°	175 x 165 x 69 mm	Right / left	Hella	2XS950071031	1	113144

AGR: 12.471

Accessories Available

	PU Piece	Article No.
Sphere Bulbs Orange 24V 5W	10	180025
BULB 24V / 5W BA15S HD E1	10	154130

Spare Parts

	PU Piece	Article No.
REPL.LENS RED F.UL.TRNSM.A.REC	1	113146
REPL.LENS WHI F.UL.CUR/SCRW.	1	113147

Replacement partsoutline lamp round



Title	Manufacturer	OEM	PU Piece	Article No.
REPL.LENS WHI F.UL.CUR/SCRW.	Hella	9EL950315031	1	113147
REPL.LENS RED F.UL.TRNSM.A.REC	Hella	9EL950315061	1	113146

AGR: 12.471

Side Marker Light LED 24 V with Rear Reflector

Application Area

- Suitable for installation

Characteristics

- Waterproof
- Reflector included

Hints

- Only one LED, therefore low power consumption
- Long LED-lifetime through special construction

Technical Data

Cable Length	1.5 m
Voltage	24 V



Title	Overall dimension	Position	Manufacturer	OEM	PU Piece	Article No.
LED POS.LAMP WH OV 24V PR REFL AGR: 12.471	119 x 44 x 16 mm	front	Aspöck	31-7704-037	1	058213

Side light Flatpoint LED

Application Area

- Suitable for installation

Characteristics

- Installation housing, rubber grommet 90°

Hints

- Only one LED, therefore low power consumption
- Long LED-lifetime through special construction

Technical Data

Voltage 24 V



Title	Overall dimension	Position	Manufacturer	OEM	PU Piece	Article No.
LED POS. LAMP 90 WH RECT 24V AGR: 12.471	95 x 31 x 74.3 x 11.3 mm	front	Aspöck	21-6601-004	1	058215

Side light Flatpoint II LED

Application Area

- Suitable for installation

Characteristics

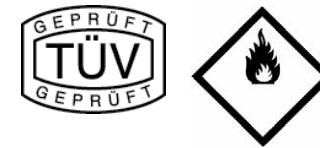
- No reflector

Hints

- Only one LED, therefore low power consumption
- Long LED-lifetime through special construction

Technical Data

Cable Length	0.5 m
Voltage	24 V



Title	Overall dimension	Position	Manufacturer	OEM	PU Piece	Article No.
LED POS.LAMP WH OV 24V PR	84 x 44 x 14 mm	front	Aspöck	31-6904-097	2	058214

AGR: 12.471

Rear Lights and License Plate Lights

- Suitable for 2 V and 24 V
- Flush mounting

Hints

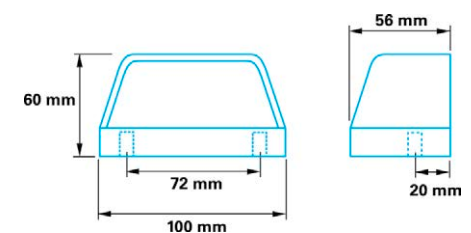
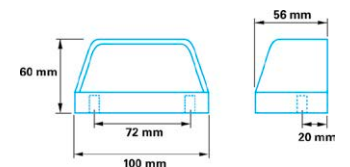
- Cable entry through cable grommet
- Screw connection Ø 4 mm

Scope Of Delivery

- Without illuminators
- Without fixing screws

Technical Data

Type Of Connection Rubber nozzle



Title	Overall dimension	PU Piece	Article No.
License Plate Light, black	100 x 54 x 55 mm	1	055343

AGR: 12.470

Accessories Available

	PU Piece	Article No.
BULB 24V / 5W BA15S HD E1	10	154130
Sphere Bulbs Orange 24V 5W	10	180025
Sphere Bulb 12V 5W LL	10	148327

INTERNAL/Approved (2019-03-22 21:21:55)

License Plate Lights

- Cable entrance PG-screwing
- Suitable for 2 V and 24 V

Hints

- Srew connection \varnothing 4 mm

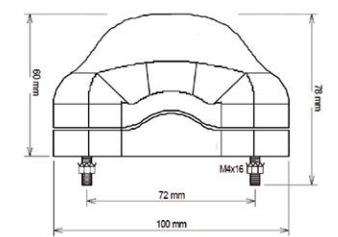
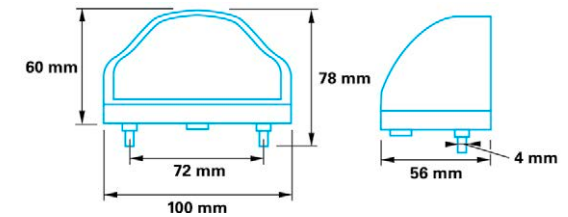
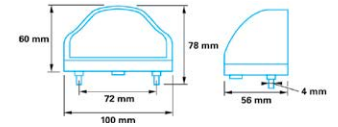
Scope Of Delivery

- No illuminatnts includes
- No fixing screws included

Technical Data

Type Of Connection

PG-fitting



Title	Overall dimension	Manufacturer	OEM	PU Piece	Article No.
License Plate Lights, black PG	100 x 60 x 55 mm	Vignal Valéo	EPP96 196020	1	055344

AGR: 12.470

Accessories Available

	PU Piece	Article No.
Festoon Bulb 12V 5W 38 mm	10	179949
Festoon Bulbs 24V 5W 38 mm	10	179965

INTERNAL/Approved (2019-03-22 21:22:03)

Rear Lights and License Plate Lights

- Suitable for 2 V and 24 V
- Flush mounting

Hints

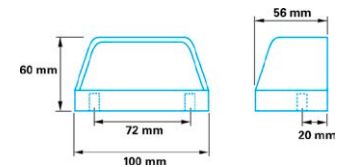
- Cable entry through cable grommet
- Screw connection Ø 4 mm

Scope Of Delivery

- Without illuminators
- Without fixing screws

Technical Data

Type Of Connection Rubber nozzle



Title	Overall dimension	PU Piece	Article No.
Rear Lights/License Plate Lights, red	100 x 54 x 55 mm	1	055322

AGR: 12.470

Accessories Available

	PU Piece	Article No.
Sphere Bulb 12V 5W LL	10	148327
Sphere Bulbs Orange 24V 5W	10	180025

INTERNAL/Approved (2019-03-22 21:22:13)

Blade-Type Fuse Super-Mini

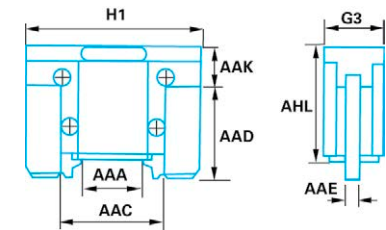
- consistent, closed housing, metal parts
 - are manufactured from a single piece
- Cut-outs for testing are located at the front

Application Area

- Mainly for Japanese vehicles like Honda, Toyota, Mazda and Suzuki

Characteristics

- Integrated, closed housing, metal parts manufactured from one single piece

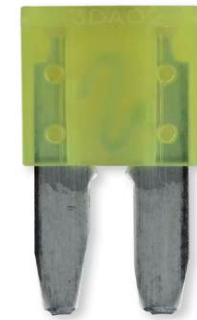


Title	Amperage, A	Color	PU Piece	Article No.
Blade-Type Fuse	2 A	Grey	25	037205
Blade-Type Fuse	5 A	light brown	25	037208
Blade-Type Fuse	7.5 A	Brown	25	037209
Blade-Type Fuse	10 A	Red	25	037210
Blade-Type Fuse	15 A	light blue	25	037211
Blade-Type Fuse	20 A	Yellow	25	037212
Blade-Type Fuse	25 A	Transparent	25	037213
Blade-Type Fuse	30 A	light green	25	037214

AGR: 12.600

Flat Fuse Micro

- Cut-outs for testing are located at the front
- consistent, closed housing, metal parts are manufactured from a single piece
- Resistant against hydrocarbons, oils, automotive fuels and refrigerants
- low space requirement



Application Area

- Chrysler, Fiat, Ford and BMW

Characteristics

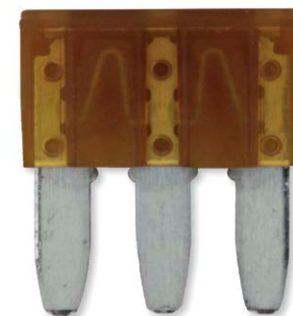
- Smaller than the mini fuse, WxHxD 9.1x15.3x3.8 mm

Title	Amperage, A	Color	PU Piece	Article No.
FLAT FUSE MICRO 5A	5 A	light brown	25	213639
FLAT FUSE MICRO 7,5A	7.5 A	Brown	25	213640
FLAT FUSE MICRO 10A	10 A	Red	25	213641
FLAT FUSE MICRO 15A	15 A	light blue	25	213642
FLAT FUSE MICRO 20A	20 A	Yellow	25	213643
FLAT FUSE MICRO 25A	25 A	Transparent	25	213638
FLAT FUSE MICRO 30A	30 A	light green	25	213644

AGR: 12.600

Flat Fuse Micro 3

- Testing gap at the frontside
- 3 terminals and 2 fuse elements with a common center terminal
- Closed Body, metal parts are made of one single part
- Terminals are silver plated

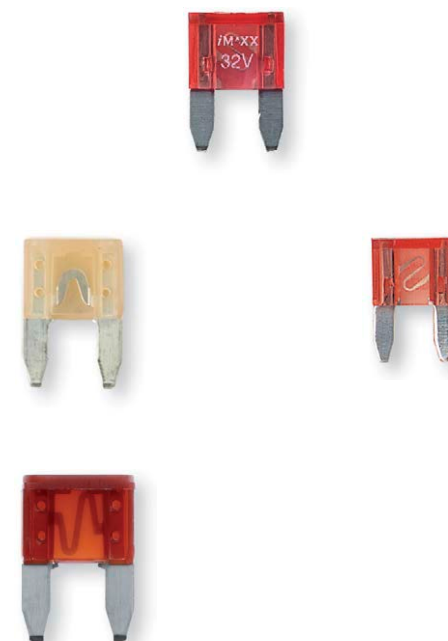


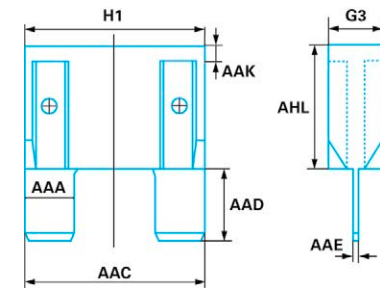
Title	Amperage, A	Color	PU Piece	Article No.
Flat Fuse Micro 3	5 A	Brown	25	243896
Flat Fuse Micro 3	7.5 A	Brown	25	243897
Flat Fuse Micro 3	10 A	Red	25	243898
Flat Fuse Micro 3	15 A	Blue	25	243899

AGR: 12.600

Blade-Type Fuse Mini

- consistent, closed housing, metal parts
 - ▶ are manufactured from a single piece
- Cut-outs for testing are located at the front



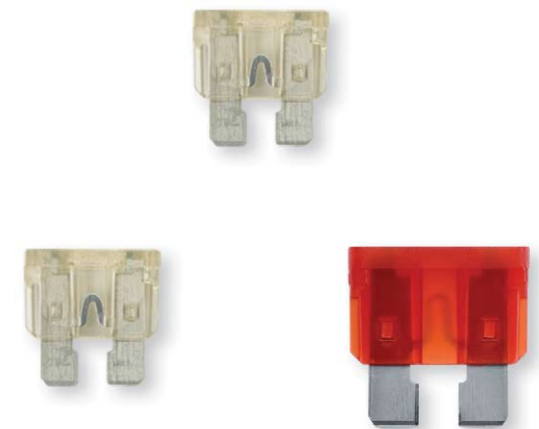


Title	Amperage, A	Color	PU Piece	Article No.
Blade-Type Fuse	2 A	Grey	25	930628
Blade-Type Fuse	3 A	Purple [2]	25	781754
Blade-Type Fuse	4 A	Pink [2]	25	930636
Blade-Type Fuse	5 A	light brown	25	768430
Blade-Type Fuse	7.5 A	Brown	25	768448
Blade-Type Fuse	10 A	Red	25	768456
Blade-Type Fuse	15 A	Blue	25	768464
Blade-Type Fuse	20 A	Yellow	25	768472
Blade-Type Fuse	25 A	Transparent	25	768480
Blade-Type Fuse	30 A	light green	25	768499

AGR: 12.600

Blade-Type Fuse Normal

- Cut-outs for testing are located at the front
- consistent, closed housing, metal parts are manufactured from a single piece



INTERNAL/Approved (2019-03-22 21:22:42)

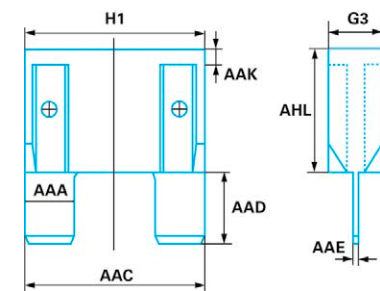
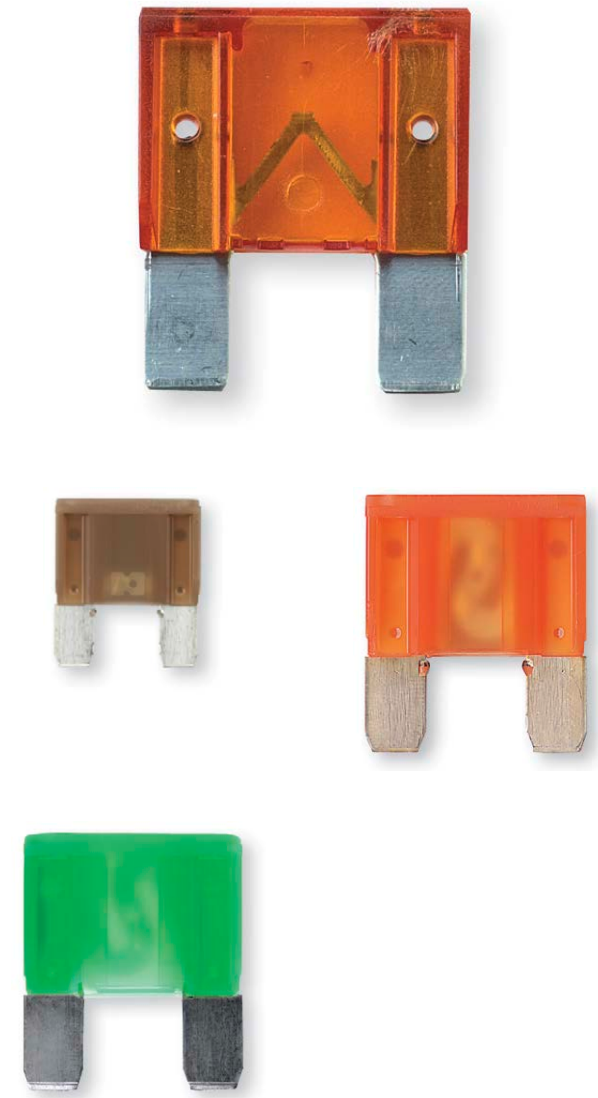
Fuses

Title	Amperage, A	Color	PU Piece	Article No.
Blade-Type Fuse	1 A	black	25	138802
Blade-Type Fuse	2 A	Grey	25	138803
Blade-Type Fuse	3 A	Purple [2]	25	138804
Blade-Type Fuse	4 A	Pink [2]	25	138805
Blade-Type Fuse	5 A	light brown	25	138806
Blade-Type Fuse	7.5 A	Brown	25	138807
Blade-Type Fuse	10 A	Red	25	138808
Blade-Type Fuse	15 A	light blue	25	138809
Blade-Type Fuse	20 A	Yellow	25	138810
Blade-Type Fuse	25 A	Transparent	25	138811
Blade-Type Fuse	30 A	Green	25	138812
Blade-Type Fuse	40 A	Orange	25	138813

AGR: 12.600

Blade-Type Fuse Maxi

- Cut-outs for testing are located at the front
- consistent, closed housing, metal parts are manufactured from a single piece



INTERNAL/Approved (2019-03-22 21:23:02)

Title	Amperage, A	Color	PU Piece	Article No.
Blade-Type Fuse	20 A	Yellow	10	781690
Blade-Type Fuse	30 A	light green	10	781738
Blade-Type Fuse	40 A	Orange	10	781720

Automatic Fuse Mini

Title	Amperage, A	Color	PU Piece	Article No.
AUTOMATIC FUSE 5A MINI	5 A	light brown	1	139904
AUTOMATIC FUSE 7,5A MINI	7.5 A	Brown	1	139912
AUTOMATIC FUSE 10A MINI	10 A	Red	1	139920
AUTOMATIC FUSE 15A MINI	15 A	light blue	1	139939
AUTOMATIC FUSE 20A MINI	20 A	Yellow	1	139947
AUTOMATIC FUSE 25A MINI	25 A	White	1	139955
AUTOMATIC FUSE 30A MINI	30 A	Green	1	139963

AGR: 12.600

Automatic Fuse Mini Set

- Replacing the fuse in the defective circuit is omitted
- Fast reconnection of hand
- Small design for mini fuse box
- Can be used as a permanent replacement fuse
- For debugging and diagnostics
- No costly downtime
- high reliability
- Vivid color coding

Application Area

- Thermal Mini Automatic backup again switched for use in 12 V and 24 V range
- Good for the Protection of electrical systems and equipment in cars, trucks, buses, boats and low voltage systems

Characteristics

- Meets SAE J553 Type I (automatic reset), II (modified accrual), III (manual reset) and III * (switchable).



Hints

- The reset button must not be blocked
The reset button must be pressed out with the power Zusan

Scope Of Delivery

- Set includes 1 each of 5 A, 7.5 A, 10 A, 15 A, 20 A, 25 A

Title	PU Piece	Article No.
AUTOMATIC FUSE MINI SET	1	139971
AGR: 12.600		
Scope Of Supply	Piece	Article No.
AUTOMATIC FUSE 5A MINI	1	139904
AUTOMATIC FUSE 7,5A MINI	1	139912
AUTOMATIC FUSE 10A MINI	1	139920
AUTOMATIC FUSE 15A MINI	1	139939
AUTOMATIC FUSE 20A MINI	1	139947
AUTOMATIC FUSE 25A MINI	1	139955
Accessories Available	PU Amount	Article No.
AUTOMATIC FUSE 30A MINI	1	139963

Automatic Fuse Normal Set

- Replacing the fuse in the defective circuit is omitted
- Fits perfectly in fuse holders for fuses according to ISO 8820-3
- Fast reconnection of hand
- Can be used as a permanent replacement fuse
- No costly downtime
- high reliability
- Vivid color coding

Application Area

- Single pole thermal circuit breaker in normal size up to 28 V
- Good for the Protection of electrical systems and equipment in cars, trucks, buses, boats and low voltage systems

Hints

- The reset button must not be blocked
The reset button must be pressed only when de-energized



INTERNAL/Approved (2019-03-22 21:23:12)

Fuses

Scope Of Delivery

- Set includes 1 each of 5 A, 7.5 A, 10 A, 15 A, 20 A, 25 A

Title	PU Piece	Article No.
AUTOMATIC FUSE NORMAL SET	1	140040

AGR: 12.600

Scope Of Supply	Piece	Article No.
AUTOMATIC FUSE 5A NORMAL	1	139866
AUTOMATIC FUSE 7,5A NORMAL	1	139980
AUTOMATIC FUSE 10A NORMAL	1	139998
AUTOMATIC FUSE 15A NORMAL	1	140007
AUTOMATIC FUSE 20A NORMAL	1	140015
AUTOMATIC FUSE 25A NORMAL	1	140020

Accessories Available	PU Amount	Article No.
AUTOMATIC FUSE 30A NORMAL	1	140023
AUTOMATIC FUSE 40A NORMAL	1	140031



Automatic Fuse Normal



Title	Amperage, A	Color	PU Piece	Article No.
AUTOMATIC FUSE 5A NORMAL	5 A	light brown	1	139866
AUTOMATIC FUSE 7,5A NORMAL	7.5 A	Brown	1	139980
AUTOMATIC FUSE 10A NORMAL	10 A	Red	1	139998
AUTOMATIC FUSE 15A NORMAL	15 A	light blue	1	140007
AUTOMATIC FUSE 20A NORMAL	20 A	Yellow	1	140015
AUTOMATIC FUSE 25A NORMAL	25 A	White	1	140020
AUTOMATIC FUSE 30A NORMAL	30 A	Green	1	140023
AUTOMATIC FUSE 40A NORMAL	40 A	Orange	1	140031

AGR: 12.600

Glass Fuses

Application Area

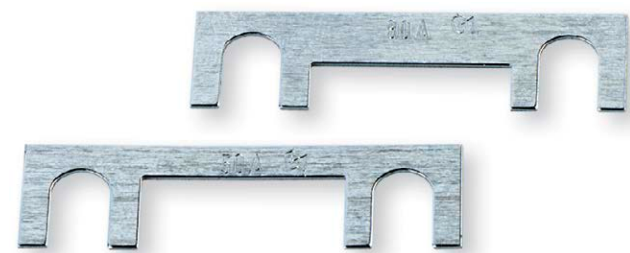
- Suitable for 2 V and 24 V



Title	Amperage, A	Ø x Length	Color	PU Piece	Article No.
Glass Fuses	2 A	5 x 20 mm	Transparent	10	197572
Glass Fuses	5 A	6.35 x 32 mm	Transparent	10	197580
GLASS PROTECTOR 8 AMP.6.3X32	8 A	6.3 x 32 mm	Transparent	10	806686
Glass Fuses	10 A	6.35 x 32 mm	Transparent	10	197599
Glass Fuses	15 A	6.35 x 32 mm	Transparent	10	197610
Glass Fuses	20 A	6.35 x 32 mm	Transparent	10	197602
Glass Fuses	25 A	6.35 x 32 mm	Transparent	10	197629
Glass Fuses	30 A	6.35 x 32 mm	Transparent	10	197637

AGR: 12.601

Leaf Fuses



Title	Amperage, A	Thickness material	Length x width	PU Piece	Article No.
Leaf Fuses	50 A	0.35 mm	41 x 11 mm	10	108579
Leaf Fuses	80 A	0.5 mm	41 x 11 mm	10	108580

AGR: 12.609

INTERNAL/Approved (2019-03-22 21:23:27)

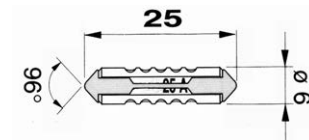
Plastic Fuses

Technical Data

Length x width 25 x 6 mm

Title	Amperage, A	Color	PU Piece	Article No.
Plastic Fuses	8 A	White	100	013528
Plastic Fuses	16 A	Red	100	013536
Plastic Fuses	25 A	Blue	100	013544
AUTOM FUSE GREY 40 AMP.	40 A	black	100	013552

AGR: 12.602



Fuse Midi

- Substitute for the metal strip fuses, therefore better safety
- Plastic coating prevents sparking when fuse is active
- Strengthened material at the drilling ensures high contact safety and prevents deformation

Application Area

- Suitable for passenger cars, trucks, construction vehicles, buses, agricultural machinery
- For BMW, Mercedes, Volvo etc.

Technical Data

Length x width 41 x 10 mm

Title	Amperage, A	Color	PU Piece	Article No.
FUSE MIDI 30A ORANGE	30 A	Orange	10	207320
Fuse MIDI	40 A	Green	10	138839
Fuse MIDI	50 A	Red	10	138838
Fuse MIDI	60 A	Yellow	10	138837
Fuse MIDI	70 A	Brown	10	138836
Fuse MIDI	80 A	White	10	138835
Fuse MIDI	100 A	Blue	10	138834

AGR: 12.604



Mega Fuses

Application Area

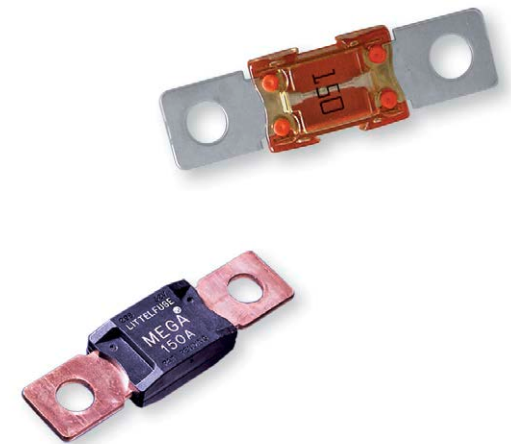
- Alfa Romeo, BMW, Fiat, Jaguar, Lancia

Technical Data

Length x width 68 x 19 mm

Title	Amperage, A	Color	Content	PU Piece	Article No.
Fuse MEGA	100 A	Yellow	5 PC	1	124169
Fuse MEGA	125 A	Green	-	1	124170
Fuse MEGA	150 A	Orange	-	1	124171
Fuse MEGA	175 A	White	-	1	124172
FUSE MEGA 200A BLUE	200 A	Blue	-	1	124173
Fuse MEGA	225 A	Brown	-	1	124174
Fuse MEGA	250 A	Pink	-	1	124175

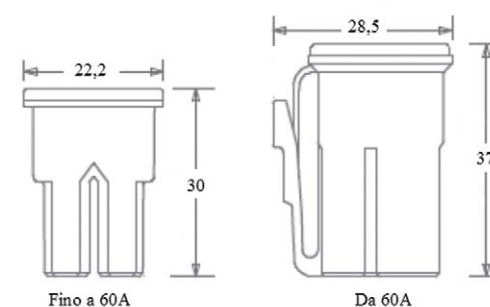
AGR: 12.604



PAL-Fuse Type AS

Application Area

- Form A
for Chrysler, Daihatsu, Ford, Hyundai, Kia, Mazda, Mitsubishi, Nissan, Opel, Rover, Subaru, Suzuki, Toyota



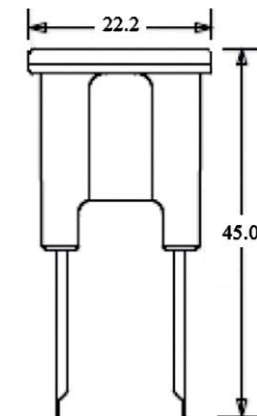
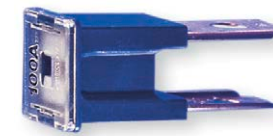
Title	Amperage, A	Color	PU Piece	Article No.
PAL-FUSE FORM A 20A BLUE	20 A	Blue	5	123603
PAL-FUSE FORM A 30A PINK	30 A	Pink [2]	5	123604
PAL-FUSE FORM A 40A GREEN	40 A	Green	5	123605
PAL-FUSE FORM A 50A RED	50 A	Red	5	123606
PAL-FUSE FORM A 60A YELLOW	60 A	Yellow	5	123607
PAL-FUSE FORM A 80A SZ	80 A	black	5	123608
PAL-FUSE FORM A 100A BLUE	100 A	Blue	5	123609

AGR: 12.603

PAL-Fuse Type B

Application Area

- Form B
for Ford, Hyundai, Kia, Mazda, Mitsubishi, Nissan, Opel, Rover, Suzuki, Toyota



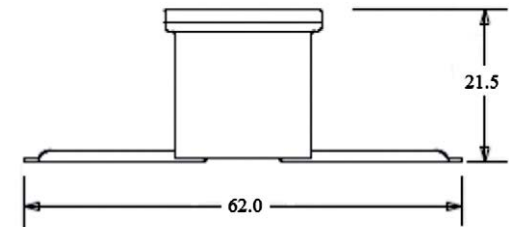
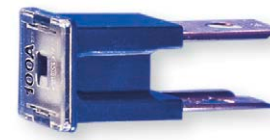
INTERNAL/Approved (2019-03-22 21:24:04)

Title	Amperage, A	Color	PU Piece	Article No.
PAL-FUSE FORM B 30A PINK AGR: 12.603	30 A	Pink [2]	1/10	123610

PAL-Fuse Type C

Application Area

- Form C
for Honda, Land Rover, Rover



Title	Amperage, A	Color	PU Piece	Article No.
PAL-FUSE FORM C 80A SW AGR: 12.603	80 A	black	10	123620

Cable Connector for Ceramic/Plastic Fuses

Technical Data

Application Ceramic- / plastic fuses

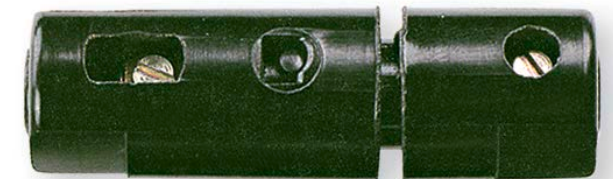


Title	PU Piece	Article No.
CABLE CONN.1 PIN F.CAR SAFETY AGR: 12.608	10	162817

Cable Connector for Glass Fuses

Technical Data

For Connector 20 x 5 mm
Application Glass fuse



Title	PU Piece	Article No.
Cable Connector for Glass Fuses AGR: 12.608	10	556432

Cable Connector for Blade-Type Fuses

Characteristics

- Connection for blade receptacles, 6.3 x 0.8 mm

Technical Data

For Connector Application	0.8 x 6.3 mm Flat blade fuse Normal
---------------------------	--



Title	PU Piece	Article No.
Cable Connector for Blade-Type Fuses	10	316636

AGR: 12.608

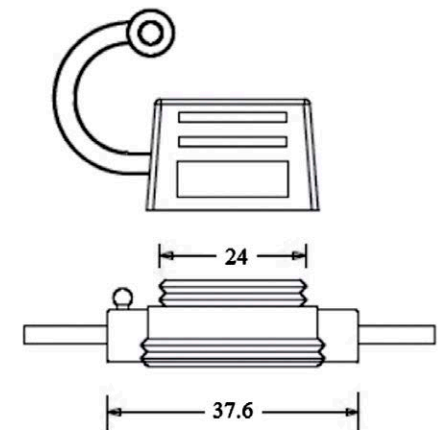
Cable Connector for Blade-Type Fuses

Characteristics

- Water-proof, flame-retarded rubber, cable length 9.5 cm

Technical Data

Application Flat blade fuse Normal



Title	Cross section cable	Amperage	PU Piece	Article No.
Fuse Holder 1 C for Blade-Type Fuses 1 mm ²	1 mm ²	20 A	10	102507
Fuse Holder 2 C for Blade-Type Fuse 3mm ²	2.5 mm ²	30 A	10	102508

AGR: 12.608

Fuse Holder MIDI

- M5 threaded studs and hex nuts to secure MIDI fuse.
- PA 6.6 GF-30 body material.
- Standard single position, attached cover.
- Stackable, to create multi-position holder.
- Overhang in the cover provides improved protection of the terminals.

Application Area

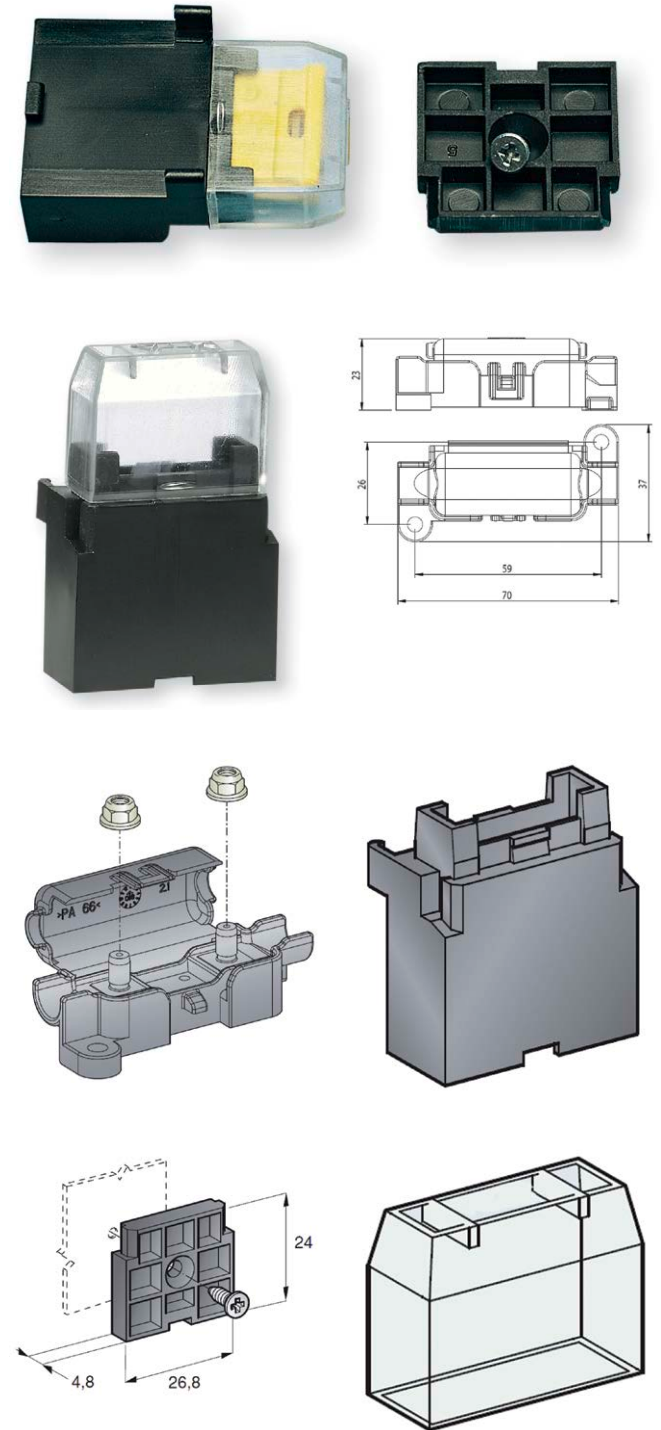
- For installation at bodywork

Characteristics

- Connection for Blade Receptacle 6.3 x 0.8 mm

Technical Data

For Connector Application	0.8 x 6.3 mm Flat blade fuse Normal
---------------------------	--



INTERNAL/Approved (2019-03-22 21:24:42)

Title	PU Piece	Article No.
Retaining Housing for Blade-Type Fuses AGR: 12.608	10	558230

Cable Connector for Blade-Type Fuses

Application Area

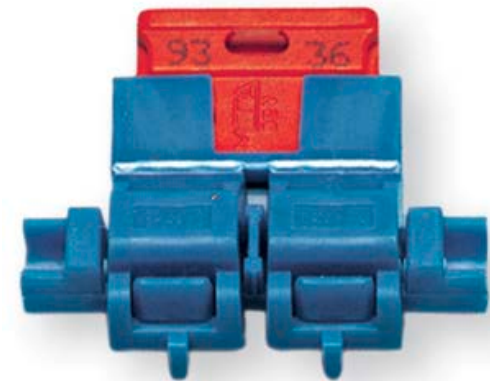
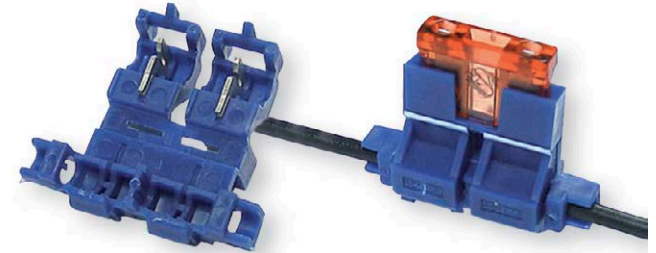
- ATO blade fuse max. 20 ampere

Characteristics

- Cable diameter 0.8 - 2.0 mm²

Technical Data

Application	Flat blade fuse Normal
-------------	------------------------



Title	Cross section cable	PU Piece	Article No.
Cable Connector for Blade-Type Fuses	1 - 2.5 mm ²	25	283614

AGR: 12.608

Flat fuses holder with additional consumer

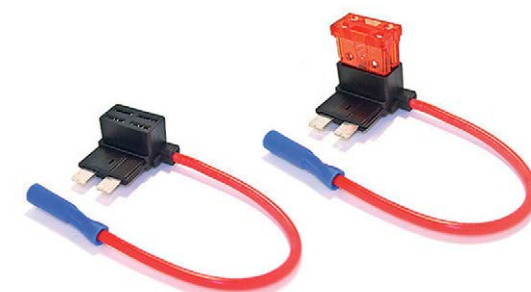
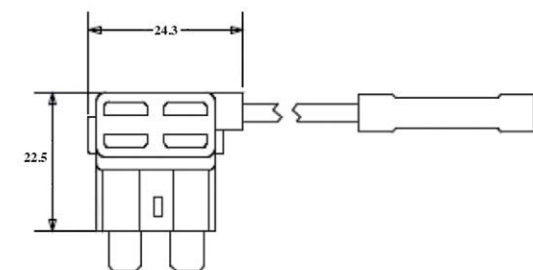
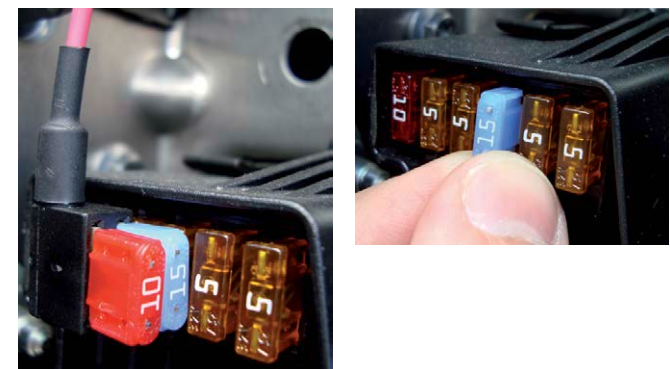
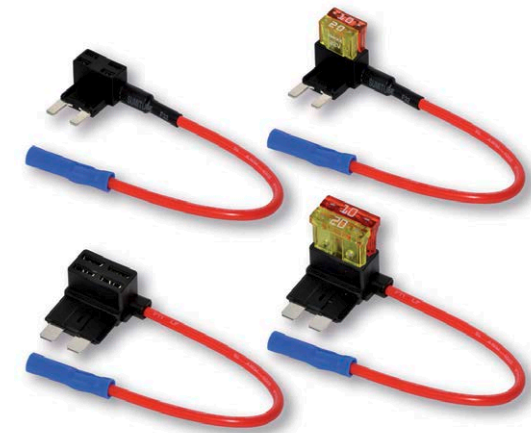
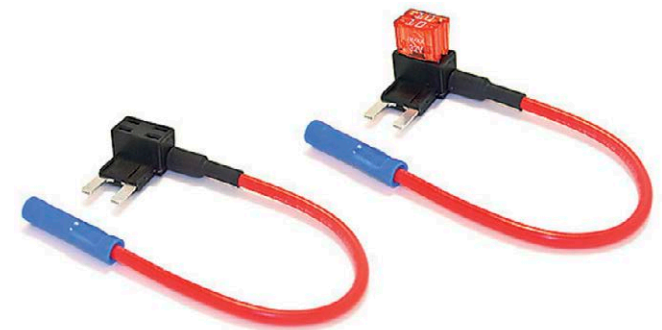
- Very easy expandability for further slots
- Flat height
- No hidden fuses for potential exchangeability
- No damage of existing pipelines

Application Area

- Flat plug secure mount with an additional connectro for the consumer in the existing fuse base

Hints

- The fuse, located in additional fuse space, may be 10 A maximum

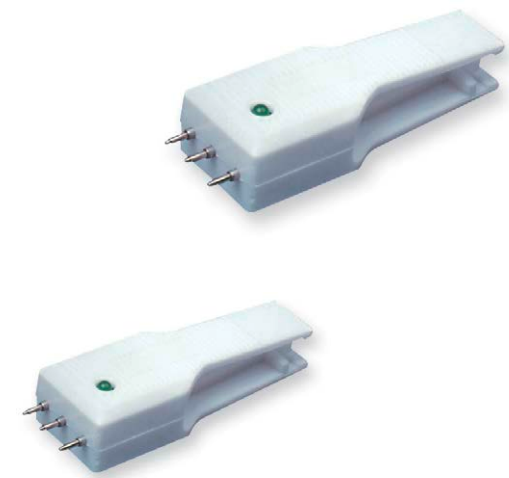


Tester for Blade-Type Fuses Mini/Normal

- Allows rapid testing of blade fuses on the test cut-outs and convenient removal of
- fuses

Title	PU Piece	Article No.
Tester for Blade-Type Fuses	1	138840

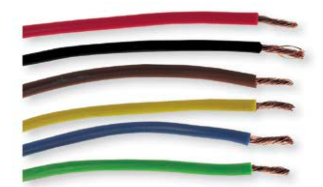
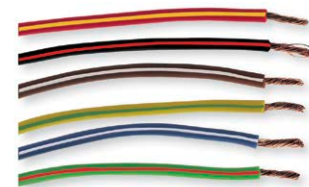
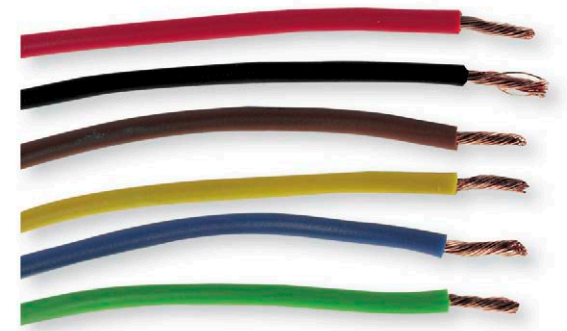
AGR: 12.600



Automotive Wires FLY

Characteristics

- Various colors, range of different wire diameters, coils with 25 m, 50 m and 100 m



Title	Cable Cross Section	Color, Core	Length	Norms	PU Amount	Article No.
WIRE ROL 0,35 QMM BLUE 50M	0.35 mm ²	Blue	50 m	-	1	187056
WIRE ROL 0,35 QMM BROWN 50M	0.35 mm ²	Brown	50 m	-	1	187058
WIRE ROL 0,35 QMM GREEN 50M	0.35 mm ²	Green	50 m	-	1	187060
WIRE ROL 0,35 QMM RED 50M	0.35 mm ²	Red	50 m	-	1	187055
WIRE ROL 0,35 QMM WHITE 50M	0.35 mm ²	White	50 m	-	1	187059
WIRE ROL 0,35 QMM YELLOW 50M	0.35 mm ²	Yellow	50 m	-	1	187057
WIRE ROL 0,35 QMM BLACK 50M	0.35 mm ²	black	50 m	-	1	187053
RO-CABLE 50 M 0.50 SW	0.5 mm ²	black	50 m	-	1	103660
WIRE ROL 0,75QMM BLUE 100MM	0.75 mm ²	Blue	100 m	-	1	000925
WIRE ROL 0,75QMM BROWN 100MM	0.75 mm ²	Brown	100 m	-	1	000928
WIRE ROL 100M 0,75 GREY/BLUE	0.75 mm ²	Grey Blue	100 m	-	1	001031
WIRE ROL 0,75QMM RED 100MM	0.75 mm ²	Red	100 m	-	1	000930
WIRE ROL 0,75QMM WHITE 100MM	0.75 mm ²	White	100 m	-	1	000924
RO-CABLE 50 M 1.0 BLUE FLK	1 mm ²	Blue	50 m	-	1	664405
WIRE ROL 1,0 QMM GRY/RED 100M	1 mm ²	Grey Red	100 m	-	1	000951
RO-CABLE 50 M 1.0 RED FLK	1 mm ²	Red	50 m	-	1	664464
RO-CABLE 100M 1.0 RED	1 mm ²	Red	100 m	-	1	022016
RO-CABLE 100M 1.0 WHI	1 mm ²	White	100 m	-	1	022010
RO-CABLE 50 M 1.0 YELLOW FLK	1 mm ²	Yellow	50 m	-	1	664421
RO-CABLE 100M 1.0 YELLOW	1 mm ²	Yellow	100 m	-	1	022013
Automotive Wires FLY	1.5 mm ²	Red	50 m	H07 CEL 227-02 (450/750V)	1	015512
RO-CABLE 50 M 1.5 WH	1.5 mm ²	White	50 m	-	1	600300
Automotive Wires FLY	1.5 mm ²	Yellow	50 m	H07 CEL 227-02 (450/750V)	1	015520
Automotive Wires FLY	1.5 mm ²	black	50 m	H07 CEL 227-02 (450/750V)	1	015504
WIRE ROL 1,5 QMM BLK/WHI 100M	1.5 mm ²	black White	100 m	-	1	000966
Automotive Wires FLY	2.5 mm ²	Red	50 m	H07 CEL 227-02 (450/750V)	1	015563
Automotive Wires FLY	2.5 mm ²	black	50 m	H07 CEL 227-02 (450/750V)	1	015555
RO-CABLE 50 M 2.5 BROWN	2.5 mm ²	dark brown [1]	50 m	H07 CEL 227-02 (450/750V)	1	015598

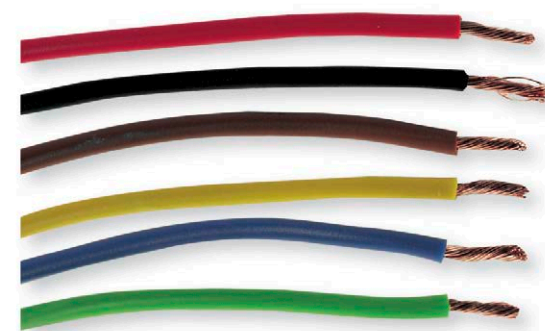
AGR: 12.130

INTERNAL/Approved (2019-03-22 21:25:36)

Automotive Wire FLRY

Technical Data

Temperature range -40 - 125 °C



Title	Cable Cross Section	Color, Core	Length	PU Spool	Article No.
Automotive Wire	0.5 mm ²	Blue	100 m	1	344121
Automotive Wire	0.5 mm ²	Brown	100 m	1	344126
Automotive Wire	0.5 mm ²	Green	100 m	1	344123
Automotive Wire	0.5 mm ²	Red	100 m	1	344120
Automotive Wire	0.5 mm ²	White	100 m	1	344125
Automotive Wire	0.5 mm ²	Yellow	100 m	1	344122
Automotive Wire	0.5 mm ²	black	100 m	1	344032
Automotive Wire	0.75 mm ²	Blue	100 m	1	344129
Automotive Wire	0.75 mm ²	Brown	100 m	1	344134
Automotive Wire	0.75 mm ²	Green	100 m	1	344131
Automotive Wire	0.75 mm ²	Grey	100 m	1	344132
Automotive Wire	0.75 mm ²	Purple [2]	100 m	1	344135
Automotive Wire	0.75 mm ²	White	100 m	1	344133
Automotive Wire	0.75 mm ²	Yellow	100 m	1	344130
Automotive Wire	0.75 mm ²	black	100 m	1	344127
Automotive Wire	0.75 mm ²	black / green	100 m	1	344139
Automotive Wire	0.75 mm ²	black / red	100 m	1	344137
Automotive Wire	0.75 mm ²	black / white	100 m	1	344140
Automotive Wire	0.75 mm ²	blue / black	100 m	1	344142
Automotive Wire	0.75 mm ²	blue / green	100 m	1	344143
Automotive Wire	0.75 mm ²	red / blue	100 m	1	344141
Automotive Wire	1.0 mm ²	Blue	100 m	1	344146
Automotive Wire	1.0 mm ²	Brown	100 m	1	344151
Automotive Wire	1.0 mm ²	Green	100 m	1	344148

INTERNAL/Approved (2019-03-22 21:26:22)

Title	Cable Cross Section	Color, Core	Length	PU Spool	Article No.
Automotive Wire	1.0 mm ²	Grey	100 m	1	344149
Automotive Wire	1.0 mm ²	black	100 m	1	344144
Automotive Wire	1.5 mm ²	Blue	100 m	1	344154
Automotive Wire	1.5 mm ²	Green	100 m	1	344156
Automotive Wire	1.5 mm ²	Grey	100 m	1	344157
Automotive Wire	1.5 mm ²	Grey / red	100 m	1	344167
Automotive Wire	1.5 mm ²	Purple [2]	100 m	1	344160
Automotive Wire	1.5 mm ²	Red	100 m	1	344153
Automotive Wire	1.5 mm ²	White	100 m	1	344158
Automotive Wire	1.5 mm ²	Yellow	100 m	1	344155
Automotive Wire	1.5 mm ²	black	100 m	1	344152
Automotive Wire	1.5 mm ²	black / green	100 m	1	344163
Automotive Wire	1.5 mm ²	black / red	100 m	1	344162
Automotive Wire	1.5 mm ²	black / white	100 m	1	344164
Automotive Wire	1.5 mm ²	green / yellow	100 m	1	344166
Automotive Wire	1.5 mm ²	red / yellow	100 m	1	344165
Automotive Wire	2.5 mm ²	Blue	50 m	1	344171
Automotive Wire	2.5 mm ²	Green	50 m	1	344173
Automotive Wire	2.5 mm ²	Grey	50 m	1	344174
Automotive Wire	2.5 mm ²	Red	50 m	1	344170
Automotive Wire	2.5 mm ²	Yellow	50 m	1	344172
Automotive Wire	2.5 mm ²	black	50 m	1	344169
Automotive Wire	4.0 mm ²	black	25 m	1	344177
Automotive Wire	6.0 mm ²	Red	25 m	1	344180
Automotive Wire	6.0 mm ²	black	25 m	1	344179

AGR: 12.130

Automotive Wires FLYY with 1 or 2 Conductors

Characteristics

- Double insulated, ring/coil 50 m, not ADR/GGVS
- approved

Hints

- Articles 194603, 194611, 329398, and 171469 do not fit in to the cable unwider



Title	Color, Core	Number of leads x cross section	Lead Count	Conductor Cross Section	Length	Cable External Ø	PU Amount	Article No.
CABLE FLKK ROUND 25M 2X0,75B/W	White black	-	-	-	25 m	-	1	022526
Automotive Wire FLYY	black	1 x 1.5 mm ²	1 PC	1.5 mm ²	50 m	4 mm	1	194603
Automotive Wire FLYY	black	1 x 2.5 mm ²	1 PC	2.5 mm ²	50 m	4.5 mm	1	194611
CABLE 50M 2X0,75 BLACK FLAT	black / red	2 x 0.75 mm ²	2 PC	0.75 mm ²	50 m	-	1	057171
CABLE FLKK ROUND 25M 2X1,0 B/W	White black	2 x 1 mm ²	2 PC	1 mm ²	25 m	-	1	022527
CABLE 50M 2X1,0 BLACK FLAT	black / red	2 x 1 mm ²	2 PC	1 mm ²	50 m	-	1	057172
Automotive Wire FLYY	black Red	2 x 1.5 mm ²	2 PC	1.5 mm ²	50 m	-	1	329398
CABLE FLK ROUND 50M 2X1.5 SW	White black	2 x 1.5 mm ²	2 PC	1.5 mm ²	50 m	-	1	142483
Automotive Wire FLYY	black Red	2 x 2.5 mm ²	2 PC	2.5 mm ²	50 m	-	1	171469

AGR: 12.130 / 12.131

Automotive Wires NYFAZ

Application Area

- Speaker Cable

Characteristics

- Coil with 50 m



Title	Color, Core	Number of leads x cross section	Lead Count	Conductor Cross Section	Length	PU Spool	Article No.
Automotive Wires NYFAZ	brown / red	2 x 0.75 mm ²	2 PC	0.75 mm ²	50 m	1	015717
LH.-CABLE-NYFAZ 25M 2X1,5	black / red	2 x 1.5 mm ²	2 PC	1.5 mm ²	25 m	1	027768
Automotive Wires NYFAZ	black / red	2 x 1.5 mm ²	2 PC	1.5 mm ²	50 m	1	015725

AGR: 12.131

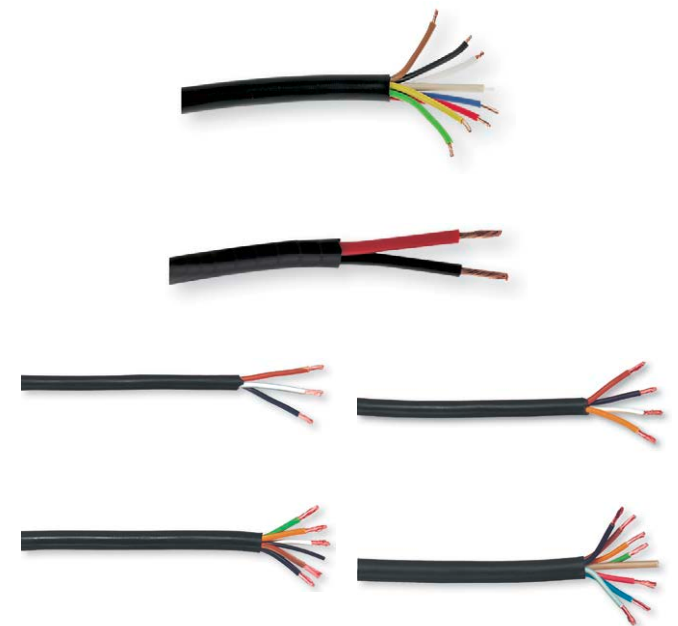
Automotive Wires FLYY with 3 to 13 Conductors

Characteristics

- Double insulated multicore not approved ADR / ADR, circular cross-section,
- temperature resistant from -5 ° C to + 70 ° C, nominal voltage: 300/500 V

Hints

- Article 194603, 194611, 329398, and 171469 not fit in the dereeler.



Cable

Title	Color, Core	Number of leads x cross section	Lead Count	Conductor Cross Section	Length	Cable External Ø	Amperage Max	PU Ring	Article No.
Automotive Wire FLYY	White black Brown	3 x 1.5 mm ²	3 PC	1.5 mm ²	50 m	9.2 mm	18 A	1	329665
Automotive Wire FLYY	White black Brown Yellow	4 x 1.5 mm ²	4 PC	1.5 mm ²	50 m	10.2 mm	16 A	1	329673
Automotive Wire FLYY	White black Brown Yellow Green	5 x 1.5 mm ²	5 PC	1.5 mm ²	50 m	11.3 mm	14 A	1	329681
CABLE FLYY 7X1.0 25M SW	White black Brown Yellow Green Red Blue	7 x 1 mm ²	7 PC	1 mm ²	25 m	-	-	1	103432
Automotive Wire FLYY	White black Brown Yellow Green Red Blue	7 x 1.5 mm ²	7 PC	1.5 mm ²	25 m	11.8 mm	14 A	1	015733
CABLE FLYY 7 X1.5 50M SW	White black Brown Yellow Green Red Blue	7 x 1.5 mm ²	7 PC	1.5 mm ²	50 m	-	-	1	174344

Title	Color, Core	Number of leads x cross section	Lead Count	Conductor Cross Section	Length	Cable External Ø	Amperage Max	PU Ring	Article No.
Automotive Wire FLYY	black								
	Brown								
	Yellow								
	Green								
	Red								
	Blue								
	Pink [2]	8 x 1.5 mm ²	8 PC	1.5 mm ²	50 m	-	-	1	086556
	blue / white	5 x 2.5 mm ²	5 PC	2.5 mm ²					
	White								
	White / red								
Orange									
black / white									
Grey									

AGR: 12.132 / 12.133 / 12.134 / 12.136 / 12.138

BS 2102 Cable Unwinder including 5 Cable Rollers

- Special adapter prevent a stand alone unwinding
- Individual coils can be exchanged
- Easy handling when cutting

Scope Of Delivery

- Including fixing material



Title	PU Piece	Article No.
BS 2100 Cable Unwinder Set 9 Point	1	242080

AGR: 12.190

Scope Of Supply	Spool	Article No.
Automotive Wire FLRY 100M COIL 1,5 BROWN	1	-
Automotive Wires Fly 1,5 red 50 m	1	015512
Automotive Wires NYFAZ brown/red 2X0,75, 50 m	1	015717
Automotive Wires Fly 1,5 blue 50 m	1	-
Automotive Wires Fly 1,5 black 50 m	1	015504
Automotive Wires Fly 1,5 yellow 50 m	1	015520
Automotive Wires Fly 2,5 red 50 m	1	015563
Automotive Wires Fly 2,5 black 50 m	1	015555
Automotive Wire FLRY 100M COIL 1,5 GREEN	1	344156

BS 2101 Cable Unwinder, 9-fold, Unequipped

Application Area

- Storage and safe separation of cables

Characteristics

- BS 2101 can be mounted on workshop wall, BS 2103 additionally on the perforated plate
- for 5 and/or 9 cable rolls or heat shrink tubing cartons (width 60 mm)

Hints

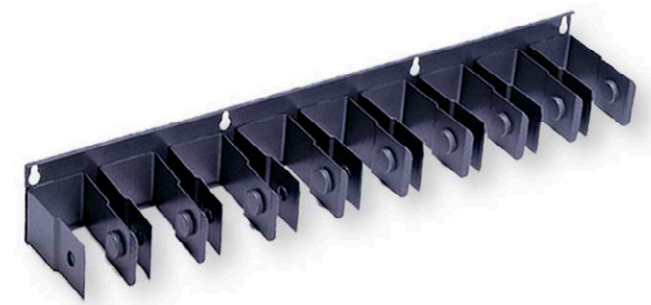
- Also complete with cable rolls furnished available

Scope Of Delivery

- With fixing material

Technical Data

Material Sheet steel



Title	PU Piece	Article No.
BS 2101 Cable Unwinder, 9-fold, unequipped	1	241636

AGR: 08.211

Battery Cable

Technical Data

Temperature range -5 - +60 °C



INTERNAL/Approved (2019-03-22 21:27:40)

Title	Cable Cross Section	Color, Core	Length	Norms	PU Amount	Article No.
-------	---------------------	-------------	--------	-------	-----------	-------------

Ground Strap

Technical Data

Length	300 mm
Width	23 mm

Title	Cable cross section	PU Piece	Article No.
Ground Strap	16 mm ²	1	794074
Ground Strap	21 mm ²	1	794066

AGR: 12.700



Corrugated Tube Profi PA6, Closed

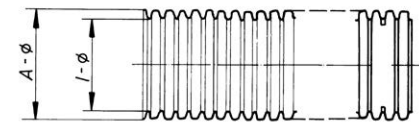
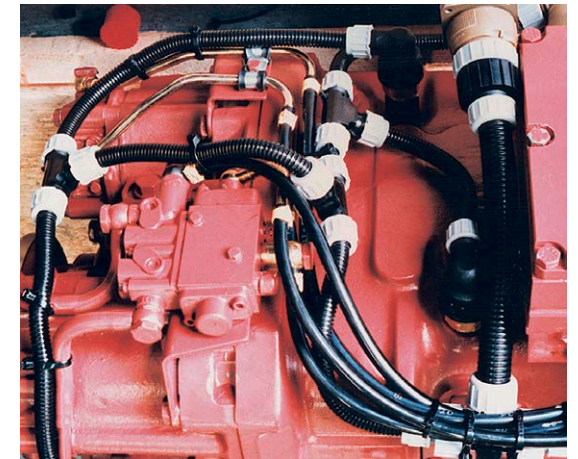
- Own ADR approval (Dangerous Goods Ordinance Road),
- valid only for the closed version.
- MOT has released

Application Area

- Engine compartment, bodywork, passengers compartment, machines, control cabinets and moveable machine parts

Characteristics

- Resistant against fuel, mineral oils, and alcohols,
- flame-retardant according to FMVSS 302, <100mm/min and UL 94, halogen-free, crush-resistant, UV-resistant according to DIN EN ISO 8580



Technical Data

Material	Polyamide 6
Temperature range	-40 - 120 °C
Color	black
Chemical Resistance	Alcohol
	Fat
	Mineral oil
	Diesel fuel
	Petrol

Title	Length	Nominal Size	Ø external	Internal Ø	PU Ring	Article No.
Corrugated Tube, closed	10 m	10 mm	13 mm	9.9 mm	1	111748
Corrugated Tube, closed	10 m	13 mm	15.8 mm	12.7 mm	1	111746
Corrugated Tube, closed	10 m	17 mm	21.2 mm	16.6 mm	1	111744
Corrugated Tube, closed	10 m	22 mm	25.4 mm	21.3 mm	1	111742
Corrugated Tube, closed	25 m	26 mm	31.2 mm	25.8 mm	1	083951
Corrugated Tube, closed	25 m	29 mm	34.5 mm	29 mm	1	083952
CORRUGATED TUBE 50M NW 8,5	50 m	8.5 mm	11.7 mm	8.4 mm	1	019590
Corrugated Tube, closed	50 m	10 mm	13 mm	9.9 mm	1	111749
Corrugated Tube, closed	50 m	13 mm	15.8 mm	12.7 mm	1	111747
Corrugated Tube, closed	50 m	17 mm	21.2 mm	16.6 mm	1	111745

AGR: 12.141

INTERNAL/Approved (2019-03-22 21:27:47)

Corrugated Tube Profi PA6 Slotted

Application Area

- Protection of the cables against heat, humidity, chemicals and UV-radiation

Characteristics

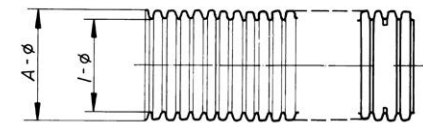
- Resistant against fuel, mineral oils, and alcohols,
- flame-retardant according to FMVSS 302, <100mm/min and UL 94, halogen-free, crush-resistant, UV-resistant according to DIN EN ISO 8580

Hints

- No GGVS approval as being slotted
- Partially used against martens browsing.

Technical Data

Material	Polyamide 6
Temperature range	-40 - 120 °C
Color	black
Chemical Resistance	Alcohol
	Fat
	Mineral oil
	Diesel fuel
	Petrol



Title	Length	Nominal Size	Ø external	Internal Ø	PU Ring	Article No.
Corr. Tube slotted	10 m	10 mm	13 mm	9.9 mm	1	111737
Corr. Tube slotted	10 m	13 mm	15.8 mm	12.7 mm	1	111738
Corr. Tube slotted	10 m	17 mm	21.2 mm	16.6 mm	1	111739
Corr. Tube slotted	10 m	22 mm	25.4 mm	21.3 mm	1	111741
CORRUGATED TUBE 50M NW 8,5	50 m	8.5 mm	11.7 mm	8.4 mm	1	019591

AGR: 12.141

Screw Joints

- Corrosion and wetness protection through water-proof screw joints
- Hardly inflammable
- Temperature-resistant: from -40 °C to +100 °C

Hints

- The screw joints are suitable for our corrugated tube versions Profi and Standard

Scope Of Delivery

- 1 Cap Nut
- 1 Flat Gasket
- 1 Screw-In Sleeves
- 1 Clamp Sealing
- 1 Counter-Nut

Technical Data

Temperature range -40 - 100 °C



Title	Nominal Size	PU Piece	Article No.
Screw Joints	10 mm	1	111753
Screw Joints	13 mm	1	111752
Connection Screwing	17 mm	1	111751
Connection Screwing	22 mm	1	111750

AGR: 12.141

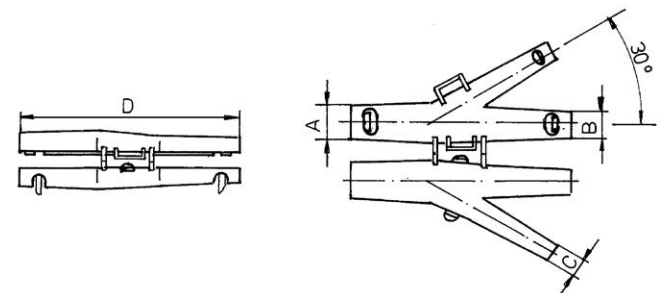
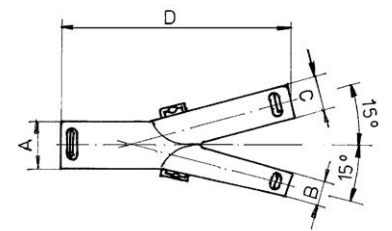
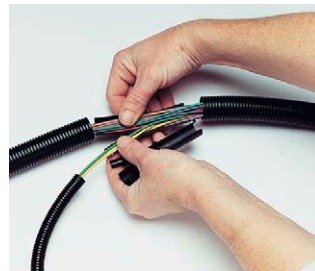
Distributor Pieces

Application Area

- In connection with corrugated tubes suitable for installation in vehicles which are not subject to the GGVS/ADR regulations.

Technical Data

Angle 30 °



Title	Diameter A	Diameter B	Diameter C	Length D	PU Piece	Article No.
R-Distributor	9.8 mm	9.8 mm	9.8 mm	64 mm	10	111768
R-Distributor	16.3 mm	16.3 mm	12.4 mm	85 mm	10	111764
R-DISTRIBUTOR 22-17-13/ 85	21 mm	16.3 mm	12.4 mm	85 mm	10	111765

AGR: 12.141

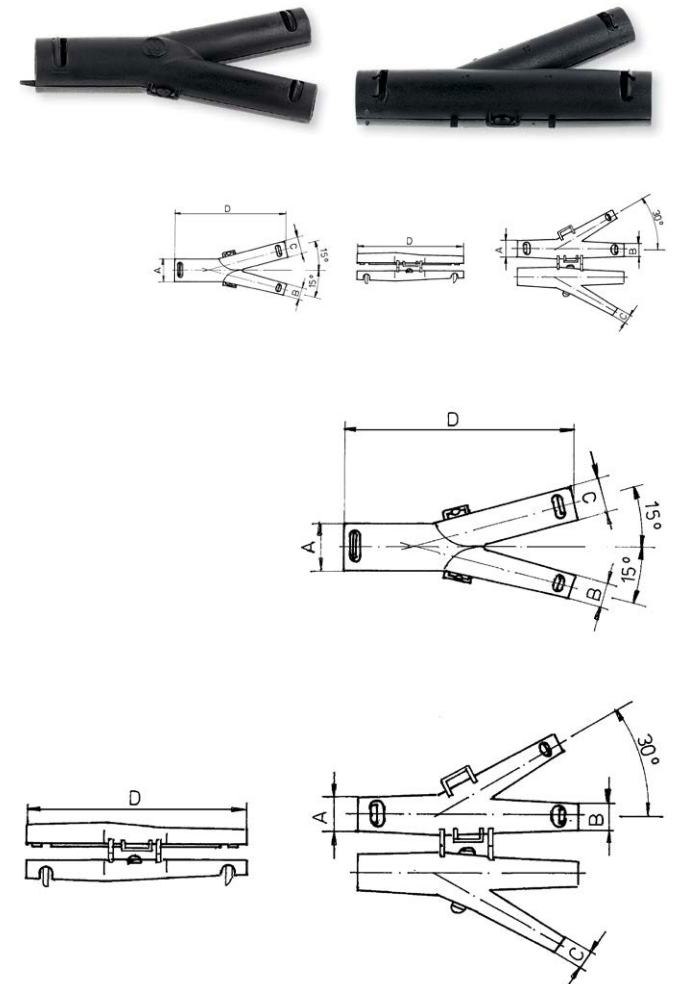
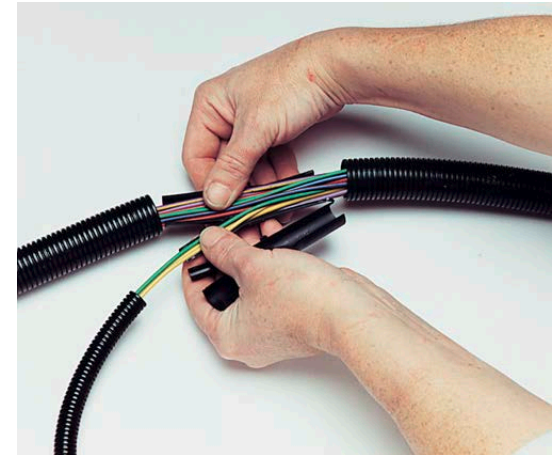
Distributor Pieces

Application Area

- In connection with corrugated pipes on vehicles, which are not part of GGVS/ADR regulations

Technical Data

Angle 60 °



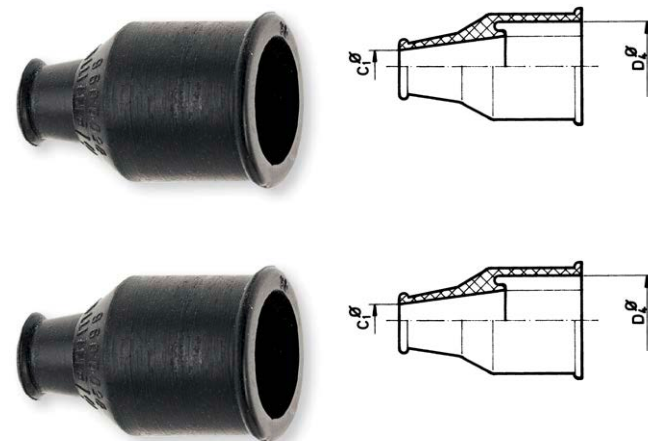
INTERNAL/Approved (2019-03-22 21:28:23)

Title	Diameter A	Diameter B	Diameter C	Length D	PU Piece	Article No.
CORRUGATED TUBE 09-09-09/66	8.2 mm	8.2 mm	8.2 mm	66 mm	10	019589
Y-Distributor	12.4 mm	9.8 mm	9.8 mm	71 mm	10	111779
Y-Distributor	12.4 mm	9.8 mm	12.4 mm	76 mm	10	111778

Insulating Cap

Characteristics

- Traction relief with 2 cable straps

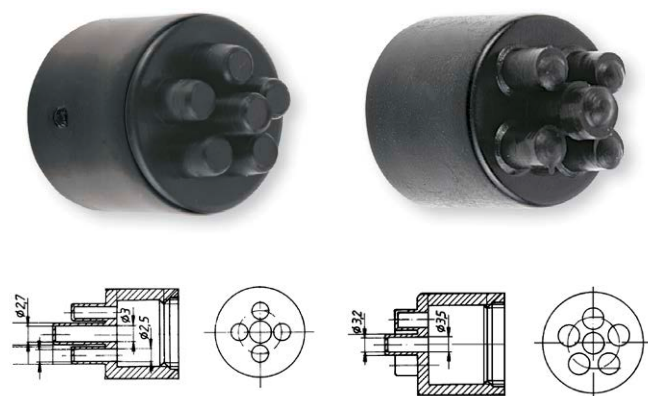


Title	Nominal Size	C	D	PU Piece	Article No.
Insulating Cap for Corrugated Tube	13 mm	4 - 9 mm	14 - 17 mm	10	111756
End Muffle f. Corr. Pipe	17 mm	6 - 14 mm	19 - 23 mm	10	111755

AGR: 12.141

End Cap

- With 5 or 6 outlets
- Can be cut open individually, as required



Title	Nominal Size	PU Piece	Article No.
CAP FOR CORRUGATED TUBE	8.5 mm	10	018335
End Cap for Corrugated Tube	10 mm	10	111758
End Cap for Corrugated Tube	13 mm	10	111757

AGR: 12.141

Insulating Hose

Application Area

- Cable insulation in electrical installations

Characteristics

- Weather-proof and resistant to aging
- Material: thermoplastic emulsion PVC according to DIN 40621

Hints

- Color: black
- Exceptional items: 158822 color white

Technical Data

Material	Thermoplastic emulsion-PVC (according to DIN 40621)
Color	black
Chemical Resistance	Deterioration Weatherproof
Temperature range	-20 - 105 °C



Title	Internal Ø	Ø external	Thickness material	Length	PU Amount	Article No.
Insulating Hose	5 mm	5.8 mm	0.6 mm	50 m	1	142255
Insulating Hose	6 mm	6.9 mm	0.6 mm	50 m	1	142263
Insulating Hose	8 mm	9 mm	0.7 mm	50 m	1	142271
Insulating Hose	9.3 mm	10 mm	0.7 mm	25 m	1	220388
BOUGIER TUBE 10MM ROLL WS 25M	10 mm	10.7 mm	0.7 mm	25 m	1	158822
BOUGIER TUBE 12MM ROLL SW 25M	12 mm	13.1 mm	0.65 mm	25 m	1	779067
BOUGIER TUBE 14MM ROLL SW 25M	14 mm	15 mm	1 mm	25 m	1	114064
BOUGIER TUBE 16MM ROLL SW 25M	16 mm	17 mm	1 mm	25 m	1	114066
BOUGIER TUBE 20MM ROLL SW 25M	20 mm	21.2 mm	1.2 mm	25 m	1	114070

AGR: 12.142

Spiral Coiled Tubes

- Mechanical protection
- Suitable for any number of branch points

Application Area

- For bundling wires

Characteristics

- Material: polyethylene, temperature range: from -30 °C up to +70 °C, self-extinguishing

Technical Data

Material	Polyethylene (PE)
Color	black
Temperature range	-30 - 70 °C



Title	Ø	Thickness material	Length	Bundle pack	PU Spool	Article No.
SPIRAL HOSE 30M-ROLL 8904	4.8 mm	0.8 mm	30 m	3.2 - 38.1 mm	1	150809
SPIRAL HOSE 30M-ROLL 8908	6.3 mm	1.1 mm	30 m	4.8 - 50.8 mm	1	150811
SPIRAL HOSE 30M-ROLL 8912	9.5 mm	1.3 mm	30 m	7.9 - 76.2 mm	1	104773
SPIRAL HOSE 30M-ROLL 8916	12.7 mm	1.6 mm	30 m	9.5 - 101.6 mm	1	104774
SPIRAL HOSE 30M-ROLL 8920	15.9 mm	1.6 mm	30 m	12.7 - 114.3 mm	1	104775
SPIRAL HOSE 30M-ROLL 8924	19 mm	1.7 mm	30 m	19 - 127 mm	1	104776

AGR: 12.140

Cable Entry Grommets

- Cable protection e.g. against sharp edges

Application Area

- Sealing of feed through holes when laying cables

Characteristics

- Resistant to corrosion, heat, aging, oil, fuel and solvents, made of PVC and plastic, double sided



Technical Data

Material 1 Polyvinyl Chloride (PVC)

Mineral oil
Petrol
Solvent
Deterioration
Corrosion
Heat

Chemical Resistance



No.	Title	Internal Ø	Drilling-Ø	Sheet Thickness	PU Piece	Article No.
01	Cable Entry Grommets	4.5 mm	6.5 mm	1.2 mm	25	163694
02	Cable Entry Grommets	5 mm	8 mm	1.5 mm	25	013293
03	Cable Entry Grommets	6 mm	8 mm	1 mm	25	013307
04	Cable Entry Grommets	9 mm	11 mm	1 mm	25	013315
05	Cable Entry Grommets	10 mm	12 mm	1.2 mm	25	013323
06	Cable Entry Grommets	12 mm	15 mm	4 mm	25	013331
07	Cable Entry Grommets	13 mm	16 mm	2 mm	25	013340
08	Cable Entry Grommets	16 mm	24 mm	3 mm	25	013358
09	Cable Entry Grommets	21 mm	31 mm	3 mm	25	013366

INTERNAL/Approved (2019-03-22 21:28:57)

Cable

No.	Title	Internal Ø	Drilling-Ø	Sheet Thickness	PU Piece	Article No.
10	Cable Entry Grommets	25 mm	30 mm	3.5 mm	25	013374

AGR: 12.143

Related Products

	PU Assortment	Article No.
BS 3066 Cable Entry Grommets (small)	1	235393
BS 3067 Cable Entry Grommets large	1	235407

Blind Plugs

Application Area

- Sealing of bore holes in the bodywork

Characteristics

- Rubber

Hints

- Material: NBR elastomer base 50

Technical Data

Material 1 Rubber



No.	Title	Drilling-Ø	PU Piece	Article No.
01	Blind Plugs	6 mm	100	013404
02	Blind Plugs	8 mm	100	013390
03	Blind Plugs	10 mm	100	013412
04	Blind Plugs	12 mm	100	013420
05	Blind Plugs	14 mm	100	013382
06	Blind Plugs	18 mm	100	013439
07	Blind Plugs	20 mm	25	321052
08	Blind Plugs	22.5 mm	25	264814
09	Blind Plugs	25.4 mm	25	264806
10	BLANKG PLUG-RUBBER 28 MM	28 mm	25	806655

AGR: 12.144

Related Products

	PU Assortment	Article No.
BS 3068 Blind Plugs	1	235423

INTERNAL/Approved (2019-03-22 21:29:27)

Cable Strap/Tie with Nylon Tongue

Application Area

- For quick bundling of cables, hoses, etc.

Characteristics

- Material: Polyamide 6.6, halogen- and silicone-free
- Temperature resistance: -40 ° C to + 85 ° C
- Approvals: UL, MIL
- Flammability class: UL 94 V-2
- Black finish: UV-stabilized

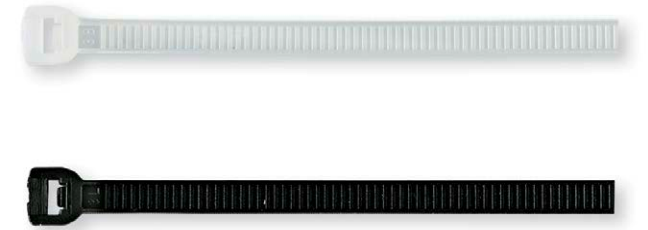
Processing Information

- Natural finish for indoor use
- Black version also for outdoor use, since UV-stabilized

Technical Data

Material Polyamide 6.6

Title	Color	Dimension	Cable bundle Ø	Temperature range	PU Piece	Article No.
Cable Strap	Nature	2.5 mm x 102 mm	2 - 16 mm	-40 - +85 °C	100	743461
CABLE TIE 2.5*200WH	Nature	2.5 mm x 200 mm	2 - 51 mm	-40 - +85 °C	100	035013
Cable Strap	Nature	3.6 mm x 150 mm	2 - 32 mm	-40 - +85 °C	100	019739
Cable Strap	Nature	3.6 mm x 202 mm	2 - 51 mm	-40 - +85 °C	100	019747
CABLE TIE 3.6*300WH	Nature	3.6 mm x 300 mm	2 - 80 mm	-40 - +85 °C	100	035014
CABLE TIE 4,8X200MM NAT	Nature	4.8 mm x 200 mm	2 - 51 mm	-40 - +85 °C	100	035015
CABLE TIE WHI 5*250	Nature	4.8 mm x 250 mm	2 - 64 mm	-40 - +85 °C	100	975328
Cable Strap	Nature	4.8 mm x 286 mm	2 - 76 mm	-40 - +85 °C	100	019755
Cable Strap	Nature	4.8 mm x 371 mm	2 - 102 mm	-40 - +85 °C	100	258423
CABLE TIE 7.5*450 NAT	Nature	7.5 mm x 450 mm	5 - 130 mm	-40 - +85 °C	100	933773
CABLE TIE 7.6*200 WH	Nature	7.6 mm x 200 mm	2 - 51 mm	-40 - +85 °C	100	239788
CABLE TIE 300X7,6 NAT	Nature	7.6 mm x 300 mm	2 - 80 mm	-40 - +85 °C	1/100	082899
Cable Strap	Nature	7.6 mm x 368 mm	5 - 102 mm	-40 - +85 °C	100	768871
CABLE TIE WHI 8*450	Nature	7.6 mm x 450 mm	5 - 130 mm	-40 - +85 °C	100	975329
CABLE TIE 8X550 MM WHITE	Nature	8 mm x 550 mm	7 - 166 mm	-40 - +85 °C	100	032553
CABLE TIE 9X430MM NAT	Nature	9 mm x 430 mm	5 - 118 mm	-40 - +85 °C	50	207048
Cable Strap	Nature	9 mm x 610 mm	2 - 188 mm	-40 - +85 °C	100	042034



Title	Color	Dimension	Cable bundle Ø	Temperature range	PU Piece	Article No.
CABLE TIE 9,0X762 MM WHITE	Nature	9 mm x 762 mm	8 - 236 mm	-40 - +85 °C	100	032554
CABLE TIE 9.0X780 NAT	Nature	9 mm x 780 mm	5 - 235 mm	-40 - +85 °C	50	157108
CABLE TIE 9,0X914 MM WHITE	Nature	9 mm x 914 mm	5 - 270 mm	-40 - +85 °C	100	032556
Cable Strap	black	2.5 mm x 102 mm	2 - 16 mm	-40 - +85 °C	100	930251
CABLE TIE 2.5*200 BK UV	black	2.5 mm x 200 mm	2 - 51 mm	-40 - +85 °C	100	035018
Cable Strap	black	3.6 mm x 150 mm	2 - 32 mm	-40 - +85 °C	100	772399
Cable Strap	black	3.6 mm x 202 mm	2 - 51 mm	-40 - +85 °C	100	182853
CABLE TIE 3.6*300 BK UV	black	3.6 mm x 300 mm	5 - 110 mm	-40 - +85 °C	100	549436
CABLE TIE 4.8*200 BK UV	black	4.8 mm x 200 mm	2 - 51 mm	-40 - +85 °C	100	549444
CABLE TIE 4.8X250MM BLACK	black	4.8 mm x 252 mm	2 - 66 mm	-40 - +85 °C	100	088071
Cable Strap	black	4.8 mm x 286 mm	2 - 76 mm	-40 - +85 °C	100	113820
CABLE TIE 4.8*300 BK UV	black	4.8 mm x 300 mm	2 - 80 mm	-40 - +85 °C	100	239754
Cable Strap	black	4.8 mm x 371 mm	2 - 102 mm	-40 - +85 °C	100	113821
CABLE TIE 4.8*390 BK UV	black	4.8 mm x 390 mm	5 - 110 mm	-40 - +85 °C	100	265888
NYL.CABLE TIES 4,5X430 BLACK	black	4.8 mm x 428 mm	5 - 123 mm	-40 - +85 °C	1/100	006624
Cable Strap/Tie with Nylon Tongue	black	4.8 mm x 500 mm	5 - 50 mm	-40 - +85 °C	100	171210
NYL.CABLETIES 7,5X280 BLACK	black	7.5 mm x 280 mm	2 - 76 mm	-40 - +85 °C	1/100	002524
CABLE TIE 7.6*200 BK	black	7.6 mm x 202 mm	2 - 80 mm	-40 - +85 °C	100	239789
Cable Strap	black	7.6 mm x 368 mm	5 - 102 mm	-40 - +85 °C	100	768812
CABLE TIE 7.6*390 BK UV	black	7.6 mm x 390 mm	5 - 110 mm	-40 - +85 °C	100	549460
CABLE TIE 7.8*465 BK	black	7.6 mm x 450 mm	5 - 130 mm	-40 - +85 °C	100	933774
CABLE TIE 8.0X550 BK	black	8 mm x 550 mm	5 - 166 mm	-40 - +85 °C	100	171208
NYL.CABLE TIES 9,0X430 BLACK	black	9 mm x 425 mm	5 - 123 mm	-40 - +85 °C	1/50	006625
CABLE TIE 9,0X610MM BLACK	black	9 mm x 610 mm	2 - 188 mm	-40 - +85 °C	100	105488
CABLE TIE 9.0X762 BK	black	9 mm x 762 mm	5 - 236 mm	-40 - +85 °C	100	171209
CABLE TIE 9.0X780 BLACK	black	9 mm x 770 mm	5 - 240 mm	-40 - +85 °C	50	157109
CABLE TIE 9,0X914 MM BLACK	black	9 mm x 914 mm	7 - 270 mm	-40 - +85 °C	100	032555
CABLE TIE 9,0X1168 BLACK	black	9 mm x 1168 mm	7 - 360 mm	-40 - +85 °C	100	082022

AGR: 12.220

Berner Assortment 3050 Cable Tapes

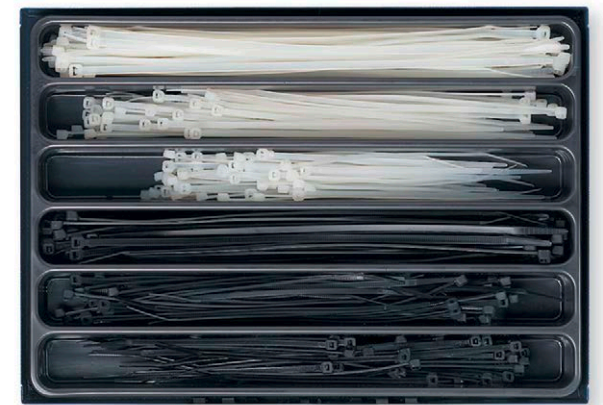
Scope Of Delivery

- 6 dimensions
- 300 parts

Title	PU Piece	Article No.
BS 3050 CABLE TAPES	1	807362

AGR: 07.904

Scope Of Supply	Piece	Article No.
Cable Strap 202 x 3,6 mm natural	50	019747
Cable Strap 150 x 3,6 mm natural	50	019739
Cable Strap 150 x 3,6 mm black	50	772399
Cable Strap 202 x 3,6 mm black	50	182853
Cable Strap 286 x 4,8 mm black	50	113820
Cable Strap 286 x 4,8 mm natural	50	019755



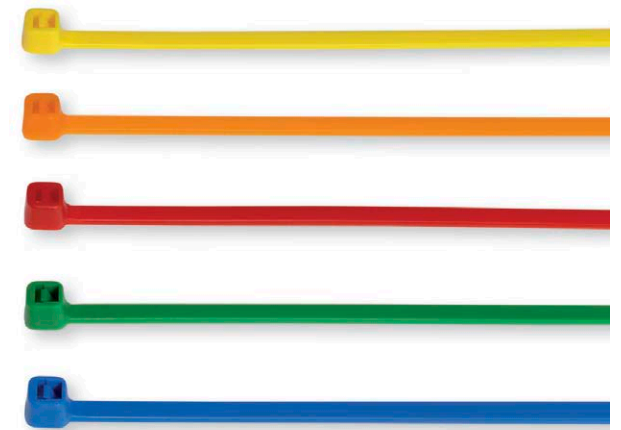
Colored cable binders with nylon tongue

Application Area

- For color coding of line bundles

Characteristics

- Material: polyamide 6.6, halogen and silicone free
- Temperature resistance: -40 ° C to + 85 ° C
- Approvals: UL, MIL
- Flammability: UL 94 V-2



Technical Data

Material Polyamide 6.6

Title	Color	Dimension	Cable bundle Ø	Temperature range	PU Piece	Article No.
CABLE TIE 3,6X200MM BLUE	Blue	3.6 mm x 200 mm	2 - 54 mm	-40 - 85 °C	100	180802
CABLE TIE 4,8X290MM BLUE	Blue	4.8 mm x 290 mm	2 - 81 mm	-40 - 85 °C	100	180737
CABLE TIE 3,6X200MM GREEN	Green	3.6 mm x 200 mm	2 - 54 mm	-40 - 85 °C	100	180803
CABLE TIE 4,8X290MM GREEN	Green	4.8 mm x 290 mm	2 - 81 mm	-40 - 85 °C	100	180738
CABLE TIE 3,6X200MM ORANGE	Orange	3.6 mm x 200 mm	2 - 54 mm	-40 - 85 °C	100	180804
CABLE TIE 4,8X290MM ORANGE	Orange	4.8 mm x 290 mm	2 - 81 mm	-40 - 85 °C	100	180739
CABLE TIE 3,6X200MM RED	Red	3.6 mm x 200 mm	2 - 54 mm	-40 - 85 °C	100	180800
CABLE TIE 4,8X290MM RED	Red	4.8 mm x 290 mm	2 - 81 mm	-40 - 85 °C	100	180805
Colored cable binders with nylon tongue	Red	7,6 mm x 540 mm	5 - 160 mm	-	100	352160
CABLE TIE 3,6X200MM YELLOW	Yellow	3.6 mm x 200 mm	2 - 54 mm	-40 - 85 °C	100	180801
CABLE TIE 4,8X290MM YELLOW	Yellow	4.8 mm x 290 mm	2 - 81 mm	-40 - 85 °C	100	180736

AGR: 12.220

Cable

Cable tie with nylon tongue and labelling area 2

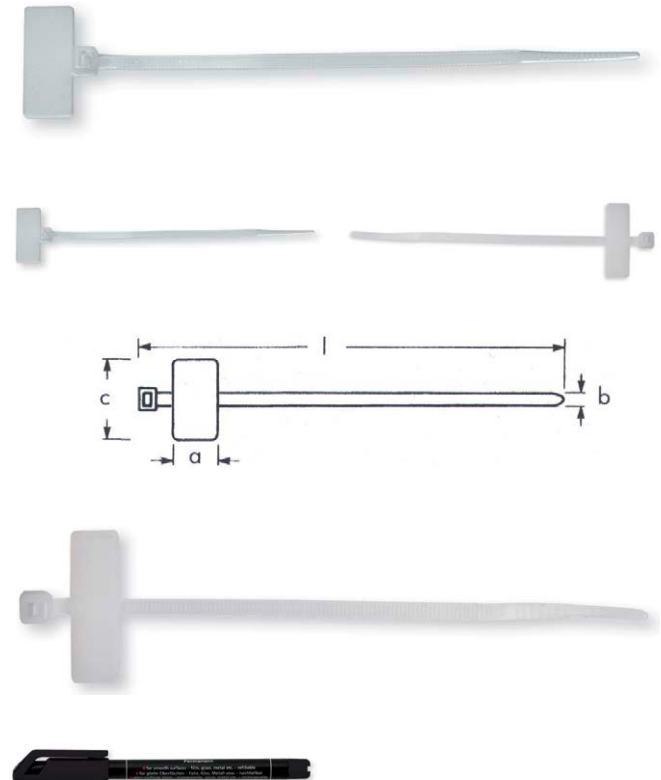
- Cable bundles can be easily labeled through the incorporated labeling area

Characteristics

- Labeling area 100x2,5: 8x25mm
- Labeling area 200x4,6: 28x13mm

Technical Data

Material Acid resistant special plastic



Title	Color	Dimension	Cable bundle Ø	PU Piece	Article No.
IDENTIFIC. TIES 2,5X110	Nature	2.5 mm x 100 mm	2 - 21 mm	100	000972

AGR: 12.228

Cable tie with nylon tongue and labelling area 3

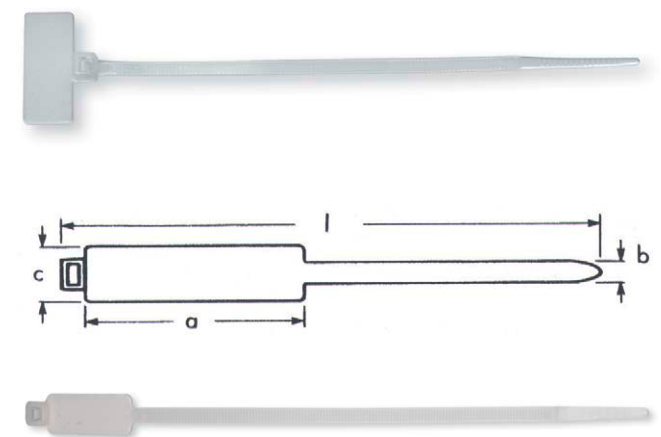
- Cable bundles can be easily labeled through the incorporated labeling area

Characteristics

- Labeling area 100x2,5: 8x25mm
- Labeling area 200x4,6: 28x13mm

Technical Data

Material Polyamide 6.6



Title	Color	Dimension	Cable bundle Ø	PU Piece	Article No.
CABLE TIE 4.6X200 LABEL	Nature	4.6 mm x 200 mm	2 - 53 mm	100	134428

AGR: 12.228

INTERNAL/Approved (2019-03-22 21:30:53)

Cable tie with metal tongue

- infinitely adjustable

Characteristics

- Material: polyamide 6.6, halogen and silicone free
 Temperature resistance: -40°C to + 85°C
 Approvals: UL
 Flammability: UL 94 V-2
 Black Finish: UV-stabilized

Processing Information

- Natural-colored version for indoor use
 Black finish also for outdoor use because UV-stabilized

Hints

- Cable ties with metal blade more resilient

Technical Data

Material Polyamide 6.6

Title	Color	Dimension	Cable bundle Ø	Temperature range	PU Piece	Article No.
CABLE TIE TY-RAP 24M 3.6X140 T	Nature	3.6 mm x 140 mm	1.6 - 30 mm	-40 - 85 °C	100	197696
CABLE TIE TY-RAP 26M 3.6X281 T	Nature	3.6 mm x 281 mm	1.6 - 95 mm	-40 - 85 °C	1/100	197718
CABLE TIE TY-244 M 3.6X368 T	Nature	3.6 mm x 368 mm	1.6 - 115 mm	-40 - 85 °C	100	346683
Cable Tie	Nature	4.8 mm x 186 mm	2 - 45 mm	-40 - 85 °C	100	197700
CAB TIE TY-RAP 24MO 3.6X140 S	black	3.6 mm x 140 mm	1.6 - 30 mm	-40 - 85 °C	100	334014
CAB TIE TY-RAP 26MO 3.6X281 S	black	3.6 mm x 281 mm	1.6 - 95 mm	-40 - 85 °C	100	334030
CABLE TIE TY-244 MZ 3.6X368 S	black	3.6 mm x 368 mm	1.6 - 115 mm	-40 - 85 °C	100	346691
CABLE TIE MZ 4.5X360MM BLACK	black	4.5 mm x 360 mm	3 - 103 mm	-40 - 85 °C	100	199650
Cable Tie	black	4.8 mm x 186 mm	2 - 45 mm	-40 - 85 °C	100	334022
Cable tie with metal tongue	black	7,5 mm x 360 mm	4.8 - 101 mm	-	50	341184

AGR: 12.221



Cable Straps with Arrowhead Fixing



Characteristics

- Material: Polyamide 6.6, halogen-free
- Temperature resistance: -40 ° C to + 85 ° C, briefly up to + 105 ° C (500 h)
- Flammability: UL 94 V-2

Technical Data

Material Polyamide 6.6

Title	Color	Dimension	Cable bundle Ø	Temperature range	PU Piece	Article No.
Cable Straps	Nature	4.7 mm x 200 mm	1.6 - 45 mm	-40 - 85 °C	100	099856

AGR: 12.222

Cable Straps with Arrowhead Fixing



Characteristics

- Material: Polyamide 6.6, halogen-free
- Temperature-resistant: -40°C to +85°C, up to +105°C for a short term (500 h)
- Class of inflammability: UL 94 V-2

Technical Data

Material Polyamide 6.6

Title	Color	Dimension	Cable bundle Ø	Temperature range	PU Piece	Article No.
Cable Straps	Nature	3.6 mm x 161 mm	1.6 - 31 mm	-40 - 85 °C	100	099708

AGR: 12.222

Chassis Straps

- Both sides interlocked, so the looping of both sides is possible (only Article no. 132586/132578)
- Small, square head for tight installation conditions
- Released again, as long as the fastening tape was not tense



Characteristics

- Material: polyamide 6.6, halogen-free
- Temperature resistance: -40 ° C to + 105 ° C, short term up to + 145 ° C (500 h) (only Item No. 132586/132578.)
- Flammability: UL 94 V-2
- Weather-resistant, mold-resistant, self-extinguishing
- sturdy construction

Hints

- Article no. 132594: DB-Original no. 0019978390
Article no. 132578: DB-Original no. 0019978490
Article no. 132594 non-heat stabilized, therefore
Temperaturbeständigkeit to + 85°C

Technical Data

Material Polyamide 6.6

Title	Color	Dimension	Temperature range	PU Piece	Article No.
Chassis Straps	black	4.8 mm x 279 mm	-40 - 105 °C	100	132594
Chassis Straps	black	7.6 mm x 203 mm	-40 - 105 °C	50	132586
Chassis Straps	black	7.6 mm x 375 mm	-40 - 105 °C	50	132578

AGR: 12.224

Chassis Strap with Round Head

- Both sides interlocked, so the looping of both sides is possible
- Round head with centering, whereby the fastening tape in the hole is centered
- Released again, as long as the fastening tape was not tense



Characteristics

- Material: polyamide 6.6, halogen-free
- Temperature resistance: -40 ° C to + 105 ° C, short term up to + 145 ° C (500 h)
- Flammability: UL 94 V-2

Cable

Hints

- DB original no. 0069971 190

Technical Data

Material Polyamide 6.6

Title	Color	Dimension	Temperature range	PU Piece	Article No.
CHASSIS TAPE 7.6X375MM M.KO BK	black	7.6 mm x 375 mm	-40 - 105 °C	100	167439

AGR: 12.224

Receptacles for Cable Straps

- Cable band displaced

Application Area

- Ideal for installation in vehicle wiring harnesses

Characteristics

- Material: polyamide 6.6, halogen-free
- Temperature resistance: -40 °C to + 85 °C
- UV-stabilized

Hints

- For bore hole diameters from 6.0 to 7.0 mm and cable strap widths of up to 5.0 mm

Technical Data

Material Polyamide 6.6



INTERNAL/Approved (2019-03-22 21:31:29)

Title	Color	Dimension	Adapter Width, Max.	Ø head	Insertion Depth	PU Piece	Article No.
Receptacle	black	5 mm	5 mm	16.5 mm	9 mm	50	008177

AGR: 12.227

Handy Bundler

- Time-saving and easy, as bundles, tensioning and cutting is done in one operation
- Economical, as no waste, low storage costs
- Universally applicable, because each required cable length of tape to produce
- Clean look, because through no tape ends

Application Area

- For the attachment of cables, hoses, pneumatic and hydraulic lines

Characteristics

- Material :Polyamide 6.6
- Temperature resistant from -40 ° C to + 85 ° C
- Cable band width: 4.6 mm
- black version: UV-resistant

Processing Information

- Natural-colored version for indoor use
- Black finish also for outdoor use because UV-stabilized

Scope Of Delivery

- Handy Bundler
- 15 m cable band of each color
- 200 clips of each desired color

Technical Data

Material Polyamide 6.6

Title	Color	Dimension	Temperature range	PU Piece	Article No.
Handy Bundler	black	4.6 mm x 15 m	-40 - 85 °C	1	746150

AGR: 12.226

Spare Parts

	PU Amount	Article No.
Cable Strap Clip 15 m black	1	746029
Cable Strap Clip black	200	745995



Cable ties with labelling tag

- High quality
 - Made in EU
 - High temperature resistance
 - Long lasting

Application Area

- Simple marking of cable bundles on integrated printable area

Processing Information

- Natural finish for indoor use

Hints

- Halogen- and silicone-free
- Label cover: 8 x 25 mm

Technical Data

Material	Polyamide 6.6
Flammability class of raw material	UL 94 V-2



Title	Color	Dimension	Cable bundle Ø	Temperature range	Tensile Strength max.	PU Piece	Article No.
Cable tie with labelling area	Nature	2.5 mm x 100 mm	10 - 25 mm	-25 - 75 °C	90 N	100	370001

AGR: 12.228

Cable ties with nylon tongue

- High quality
 - Made in EU
 - High temperature resistance
 - Long lasting

Application Area

- For quick bundling of cables, hoses

Processing Information

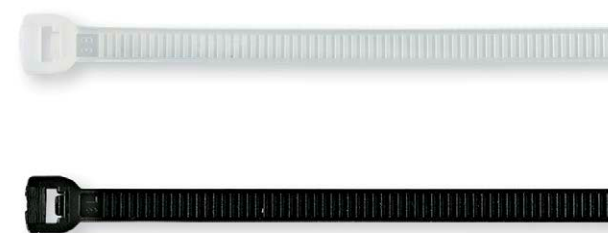
- Natural finish for indoor use
- Black version also for outdoor use, since UV-stabilized

Hints

- Halogen- and silicone-free

Technical Data

Material	Polyamide 6.6
----------	---------------



INTERNAL/Approved (2019-03-22 21:31:44)

Approval

Flammability class of raw material

UL
UL 94 V-2

Title	Color	Dimension	Cable bundle Ø	Temperature range	Tensile Strength max.	PU Piece	Article No.
Cable tie	Nature	2.5 mm x 100 mm	2 - 24 mm	-40 - 85 °C	80 N	100	369944
Cable tie	Nature	2.5 mm x 200 mm	2 - 55 mm	-40 - 85 °C	80 N	100	369946
Cable tie	Nature	3.5 mm x 140 mm	3 - 36 mm	-40 - 85 °C	150 N	100	370381
Cable tie	Nature	3.5 mm x 200 mm	3 - 55 mm	-40 - 85 °C	150 N	100	369955
Cable tie	Nature	3.5 mm x 280 mm	3 - 80 mm	-40 - 85 °C	150 N	100	369958
Cable tie	Nature	4.5 mm x 280 mm	5 - 76 mm	-40 - 60 °C	220 N	100	369965
Cable tie	Nature	4.5 mm x 360 mm	5 - 101 mm	-40 - 60 °C	220 N	100	369975
Cable tie	Nature	4.5 mm x 430 mm	5 - 123 mm	-40 - 60 °C	220 N	100	369979
Cable tie	Nature	7.5 mm x 360 mm	5 - 101 mm	-40 - 85 °C	460 N	100	369984
Cable tie	Nature	7.5 mm x 450 mm	20 - 130 mm	-40 - 85 °C	460 N	100	369987
Cable tie	black	2.5 mm x 100 mm	2 - 24 mm	-40 - 85 °C	80 N	100	369943
Cable tie	black	2.5 mm x 200 mm	2 - 55 mm	-40 - 85 °C	80 N	100	369945
Cable tie	black	3.5 mm x 140 mm	3 - 36 mm	-40 - 85 °C	150 N	100	369947
Cable tie	black	3.5 mm x 200 mm	3 - 55 mm	-40 - 85 °C	150 N	100	369954
Cable tie	black	4.5 mm x 200 mm	3 - 51 mm	-40 - 85 °C	220 N	100	369959
Cable tie	black	4.5 mm x 280 mm	5 - 76 mm	-40 - 85 °C	220 N	100	369964
Cable tie	black	4.5 mm x 360 mm	5 - 101 mm	-40 - 85 °C	220 N	100	369974
Cable tie	black	7.5 mm x 360 mm	5 - 101 mm	-40 - 85 °C	460 N	100	369986
Cable tie	black	7.5 mm x 450 mm	20 - 130 mm	-40 - 85 °C	460 N	100	369988

AGR: 12.220

INTERNAL/Approved (2019-03-22 21:31:55)

Colored cable ties with nylon tongue

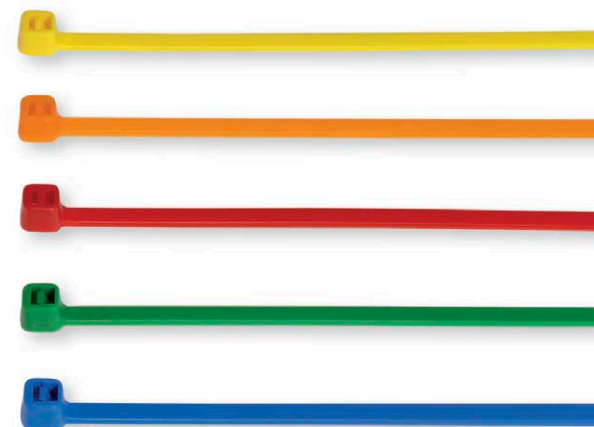
- High quality
 - Made in EU
 - High temperature resistance
 - Long lasting

Hints

- Halogen- and silicone-free

Technical Data

Material	Polyamide 6.6
Flammability class of raw material	UL 94 HB



Title	Color	Dimension	Cable bundle Ø	Temperature range	Tensile Strength max.	PU Piece	Article No.
Cable tie	Blue	3.5 mm x 200 mm	3 - 55 mm	-15 - 85 °C	180 N	100	369951
Cable tie	Green	3.5 mm x 200 mm	3 - 55 mm	-15 - 85 °C	180 N	100	369952
Cable tie	Grey	4.5 mm x 200 mm	3 - 51 mm	-5 - 85 °C	220 N	100	369961
Cable tie	Grey	4.5 mm x 280 mm	5 - 76 mm	-5 - 85 °C	220 N	100	369966
Cable tie	Orange	3.5 mm x 200 mm	3 - 55 mm	-15 - 85 °C	180 N	100	369953
Cable tie	Red	3.5 mm x 200 mm	3 - 55 mm	-15 - 85 °C	180 N	100	369948
Cable tie	Yellow	3.5 mm x 200 mm	3 - 55 mm	-15 - 85 °C	180 N	100	369949

AGR: 12.220

Adhesive sockets for cable ties

- High quality
 - Made in EU
- Very practical
 - Self adhesive
 - High adhesive strength



Application Area

- For fixing various parts with cable ties onto smooth surfaces that are free of dust and grease

Hints

- Halogen free

Technical Data

Material	Polyamide 6.6
Temperature resistance adhesive	-10 °C - +60 °C
Temperature resistance socket	-40 °C - +85 °C

Title	Color	Dimension	Adapter Width, Max.	PU Piece	Article No.
Adhesive cable tie base	Nature	19 x 19 x 5.4 mm	4.0 mm	100	370162
Adhesive cable tie base	Nature	27 x 27 x 6.9 mm	4.5 mm	100	370003
Adhesive cable tie base	black	27 x 27 x 6.9 mm	4.5 mm	100	370004

AGR: 12.227

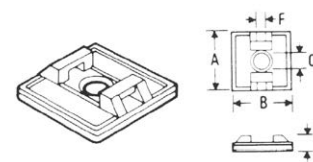
Cable tie mount adhesive 2-way entry

Characteristics

- nylon PA6
Adhesive
2 - way entry

Technical Data

Material	Polyamide 6.6
Fastening Type	glued

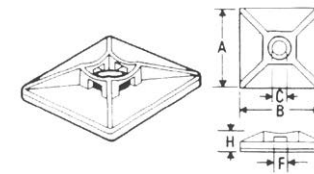


Title	Color	Dimension	Drilling-Ø	Adapter Width, Max.	PU Piece	Article No.
ADH PLINTH MP-A N 5427	Nature	25 x 25 x 7 mm	4.3 mm	6 mm	100	768421
AGR: 12.227						

Cable tie mount adhesive 4-way entry S 5475

Characteristics

- Self-adhesive bonding



Title	Color	Dimension	Drilling-Ø	Adapter Width, Max.	PU Piece	Article No.
ADH PLINTH 26.5X26.5 S 5475	black	26.5 x 26.5 x 8 mm	4.3 mm	6 mm	100	158673
AGR: 12.227						

Self-Adhesive Cable Fixtures

- No drilling or screwing required, so that damages to the surface and corrosion can be prevented

Application Area

- For fast fixing of cables, hoses etc.
- For adhesive bonding on smooth surfaces free from dust and grease
- even Expectorant

Hints

- Material made of polyamide 6.6

Technical Data

Material	Polyamide 6.6
Fastening Type	glued
Temperature range	0 - 65 °C



Title	Color	Dimension	Cable bundle Ø	PU Piece	Article No.
Cable Clip self adhesive	Nature	19 x 16 x 6.5 mm	5 mm	100	162655
Cable clip self-adhesived 11.7 mm	Nature	25.5 x 25.5 x 9.5 mm	11.7 mm	50	162663
Cable Clip self adhesive	Nature	28.5 x 32 x 15.5 mm	15 mm	25	234966

AGR: 12.230

Chassis Clamps

Application Area

- For fast fixture of cables and conductors at vehicle frame

Hints

- Material made of spring steel
- Surface Delta Tone 9000 - silver (free of hexavalent chromium)



Title	Surface protection	Length	Cable bundle Ø	PU Piece	Article No.
Chassis Clamp	zinc plated	43 mm	5 mm	25	013226

AGR: 12.231

Cable Clamp DIN 72571

Application Area

- For fixing cables, pipes and hoses

Characteristics

- DIN 72571, galvanized steel

Technical Data

Material	Steel
Norms	Fixing clips; one-sided fastening



Title	Surface protection	Length	Thickness material	Cable bundle Ø	Drilling-Ø	PU Piece	Article No.
Cable Clamp	zinc plated	-	1 mm	18 mm	5.8 mm	100	869964
Cable Clamp	zinc plated	-	1 mm	22 mm	7 mm	100	869971
Cable Clamp	zinc plated	15 mm	1 mm	15 mm	5.8 mm	100	020117
Cable Clamp	zinc plated	19 mm	1 mm	5 mm	4.8 mm	100	020052
Cable Clamp	zinc plated	20 mm	1 mm	6 mm	4.8 mm	100	020060
Cable Clamp	zinc plated	21 mm	1 mm	7 mm	4.8 mm	100	020079
Cable Clamp	zinc plated	22 mm	1 mm	8 mm	4.8 mm	100	020087
Cable Clamp	zinc plated	22 mm	1 mm	10 mm	4.8 mm	100	020095
Cable Clamp	zinc plated	30 mm	1 mm	12 mm	5.8 mm	100	020109

AGR: 12.231

Insulated ring connectors red

- PVC insulated
- "Easy Entry" for easy entry of the wire into the connector
- Extra copper sleeve for strain relief
- Available in carton and plastic boxes in different packaging units



Hints

- Also available in convenient transparent plastic boxes



012491
01



012505
02



012530
03



014141
04



123622
05



123623
06



123628
07

No.	Title	Ring-Fork Size	Container	Content	Cross section cable	Color	PU Amount	Article No.
01	Ring Tongue	3.2 mm	-	-	0.5 - 1.5 mm ²	Red	100	012491
02	Ring Tongue	4.3 mm	-	-	0.5 - 1.5 mm ²	Red	100	012505
03	Ring Tongue	5.3 mm	-	-	0.5 - 1.5 mm ²	Red	100	012530
04	Ring in box KS2	5.3 mm	Plastic box KS2	220 PC	0.5 - 1.5 mm ²	Red	1	014141
05	Ring Tongue	6.5 mm	-	-	0.5 - 1.5 mm ²	Red	100	123622
06	Ring Tongue	8.4 mm	-	-	0.5 - 1.5 mm ²	Red	100	123623
07	Ring Tongue	10.5 mm	-	-	0.5 - 1.5 mm ²	Red	100	123628

AGR: 12.302

Insulated spade connectors red

- PVC insulated
- "Easy Entry" for easy entry of the wire into the connector
- Extra copper sleeve for strain relief



012556
01



098767
02



100004
03

Plugs, joints and insulation

No.	Title	Ring-Fork Size	Cross section cable	Color	PU Piece	Article No.
01	Red Fork Connector	4.3 mm	0.5 - 1.5 mm ²	Red	100	012556
02	Red Fork Connector	5.3 mm	0.5 - 1.5 mm ²	Red	100	098767
03	Red Fork Connector	6.5 mm	0.5 - 1.5 mm ²	Red	100	100004

AGR: 12.302

Insulated male blade connector red

- PVC insulated
- "Easy Entry" for easy entry of the wire into the connector
- Extra copper sleeve for strain relief
- Available in carton and plastic boxes in different packaging units



KS2-KS4-KS5



BERA box 5

Hints

- Also available in convenient transparent plastic boxes



178470
01

026737
02

051607
03

098762
04

416363
05

032385
06

012246
07

014125
08

011421
09

No.	Title	Plug size (width x thickness)	Connector type	Container	Content	Cross section cable	Color	PU Amount	Article No.
01	Blade Terminal	2,8 x 0,5	Insulated male	-	-	0.5 - 1.5 mm ²	Red	100	178470
02	Male blade in box KS2	2,8 x 0,5	Insulated male	Plastic box KS2	220 PC	0.5 - 1.5 mm ²	Red	1	026737
03	Insulated Connector	2,8 x 0,8	Insulated male	-	-	0.5 - 1.5 mm ²	Red	100	051607
04	Insulated Connector	4,8 x 0,5	Insulated male	-	-	0.5 - 1.5 mm ²	Red	100	098762
05	Blade Terminal	4,8 x 0,8	Insulated male	-	-	0.5 - 1.5 mm ²	Red	100	416363
06	Male blade in box KS2	4,8 x 0,8	Insulated male	Plastic box KS2	250 PC	0.5 - 1.5 mm ²	Red	1	032385
07	Insulated Connector	6,3 x 0,8	Insulated male	-	-	0.5 - 1.5 mm ²	Red	100	012246
08	Blade Terminal	6,3 x 0,8	Insulated male	Plastic box KS2	220 PC	0.5 - 1.5 mm ²	Red	1	014125
09	Male blade in box KS4	6,3 x 0,8	Insulated male	Plastic box KS4	500 PC	0.5 - 1.5 mm ²	Red	1	011421

AGR: 12.302

Insulated female blade connector red

- PVC insulated
- "Easy Entry" for easy entry of the wire into the connector



KS2-KS4-KS5

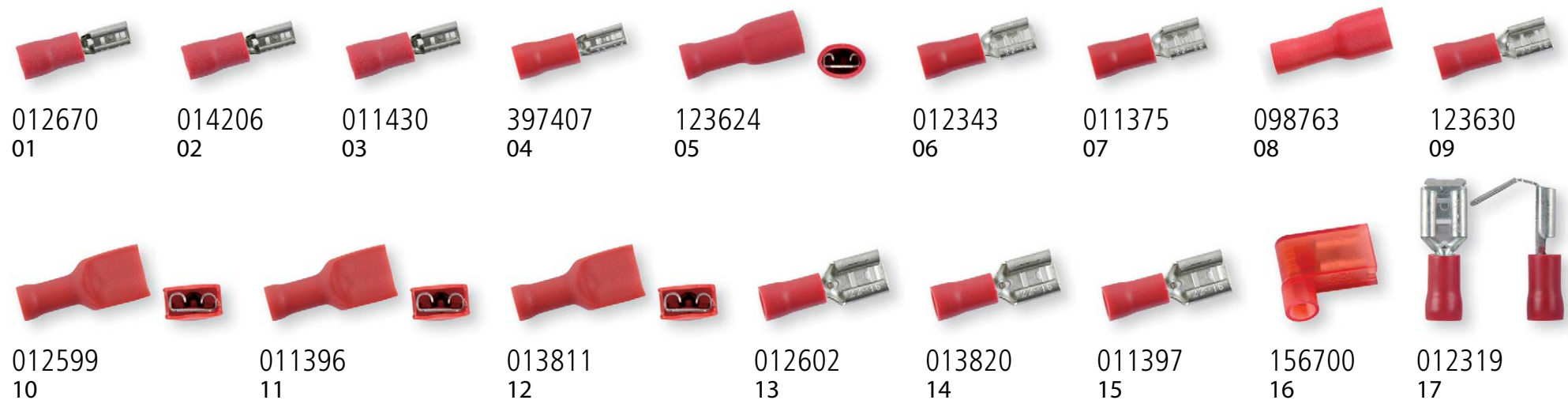
- Extra copper sleeve for strain relief
- Available in carton and plastic boxes in different packaging units

Hints

- Art.no. 156700 is nylon insulated and without strain relief
- Also available in convenient transparent plastic boxes



BERA box 5



No.	Title	Plug size (width x thickness)	Connector type	Container	Content	Cross section cable	Color	PU Amount	Article No.
01	Insulated Connector	2,8 x 0,5	Insulated female	-	-	0.5 - 1.5 mm ²	Red	100	012670
02	Female blade in box KS2	2,8 x 0,5	Insulated female	Plastic box KS2	220 PC	0.5 - 1.5 mm ²	Red	1	014206
03	Female blade in box KS4	2,8 x 0,5	Insulated female	Plastic box KS4	500 PC	0.5 - 1.5 mm ²	Red	1	011430
04	Red Flat Receptacle	2,8 x 0,8	Insulated female	-	-	0.5 - 1.5 mm ²	Red	100	397407
05	Red Flat Receptacle	4,8 x 0,5	Fully insulated female	-	-	0.5 - 1.5 mm ²	Red	100	123624
06	Red Flat Receptacle	4,8 x 0,5	Insulated female	-	-	0.5 - 1.5 mm ²	Red	100	012343
07	Female blade in box KS2	4,8 x 0,5	Insulated female	Plastic box KS2	250 PC	0.5 - 1.5 mm ²	Red	1	011375
08	Red Flat Receptacle	4,8 x 0,8	Fully insulated female	-	-	0.5 - 1.5 mm ²	Red	100	098763
09	Red Flat Receptacle	4,8 x 0,8	Insulated female	-	-	0.5 - 1.5 mm ²	Red	100	123630
10	Insulated Connector	6,3 x 0,8	Fully insulated female	-	-	0.5 - 1.5 mm ²	Red	100	012599
11	Female blade in box KS4	6,3 x 0,8	Fully insulated female	Plastic box KS4	300 PC	0.5 - 1.5 mm ²	Red	1	011396
12	Red Flat Receptacle	6,3 x 0,8	Fully insulated female	Plastic box KS4	150 PC	0.5 - 1.5 mm ²	Red	1	013811
13	Insulated Connector	6,3 x 0,8	Insulated female	-	-	0.5 - 1.5 mm ²	Red	100	012602
14	Red Flat Receptacle	6,3 x 0,8	Insulated female	Plastic box KS2	200 PC	0.5 - 1.5 mm ²	Red	1	013820
15	Female blade in box KS4	6,3 x 0,8	Insulated female	Plastic box KS4	400 PC	0.5 - 1.5 mm ²	Red	1	011397
16	Female blade hook nylon	6,3 x 0,8	Insulated female hook	-	-	0.5 - 1.5 mm ²	Red	100	156700

INTERNAL/Approved (2019-03-22 21:33:15)

Plugs, joints and insulation

17	Red Flat Receptacle	6,3 x 0,8	Insulated piggy	-	-	0.5 - 1.5 mm ²	Red	100	012319
----	---------------------	-----------	-----------------	---	---	---------------------------	-----	-----	--------

AGR: 12.302

Insulated pin/bullet connector red

- PVC insulated
- “Easy Entry” for easy entry of the wire into the connector
- Extra copper sleeve for strain relief
- Available in carton and plastic boxes in different packaging units

Hints

- Also available in convenient transparent plastic boxes



KS2-KS4-KS5



BERA box 5



123631
01



012386
02



012327
03



013862
04



639338
05

No.	Title	Connector type	Container	Content	Cross section cable	Connetor Ø, Round	Socket Ø, Round	Color	PU Amount	Article No.
01	Red Receptacle Disconnecter	Insulated pin	-	-	0.5 - 1.5 mm ²	1.9 mm	1.9 mm	Red	100	123631
02	Insulated Connector	Insulated male bullet	-	-	0.5 - 1.5 mm ²	4 mm	4 mm	Red	100	012386
03	Insulated Connector	Insulated female bullet	-	-	0.5 - 1.5 mm ²	4 mm	4 mm	Red	100	012327
04	Red Receptacle Disconnecter	Insulated male bullet	Plastic box KS2	220 PC	0.5 - 1.5 mm ²	4 mm	-	Red	1	013862
05	Female bullet in box KS2	Insulated female bullet	Plastic box KS2	125 PC	0.5 - 1.5 mm ²	4 mm	4 mm	Red	1	639338

AGR: 12.302

Insulated butt connector red

- PVC insulated “Standard” version is without extra copper sleeve for strain relief
- PVC insulated “Double” version is with extra copper sleeve for strain relief and with “Easy Entry” for easy entry of the wire into the connector



KS2-KS4-KS5



BERA box 5

- Nylon insulated “Window” version with inspection window to check if the electrical connection is correct. Also with extra copper sleeve for strain relief and with “Easy Entry” for easy entry of the wire into the connector

Hints

- Also available in convenient transparent plastic boxes



012297
01



146195
02



118282
03



014087
04



011417
05

No.	Title	Connector type	Container	Content	Cross section cable	Color	PU Amount	Article No.
01	Heat Shrink Connector	Insulated butt standard	-	-	0.5 - 1.5 mm ²	Red	100	012297
02	Butt Connector **	Insulated butt double	-	-	0.5 - 1.5 mm ²	Red	100	146195
03	Butt Connector ***	Insulated butt window	-	-	0.5 - 1.5 mm ²	Red	100	118282
04	Red Butt Connector	Insulated butt standard	Plastic box KS4	200 PC	0.5 - 1.5 mm ²	Red	1	014087
05	Butt Standard in box KS4	Insulated butt standard	Plastic box KS4	400 PC	0.5 - 1.5 mm ²	Red	1	011417

AGR: 12.302

Insulated ring connectors blue

- PVC insulated
- “Easy Entry” for easy entry of the wire into the connector
- Extra copper sleeve for strain relief
- Available in carton and plastic boxes in different packaging units



KS2-KS4-KS5



BERA box 5

Hints

- Also available in convenient transparent plastic boxes



012424
01



012440
02



013943
03



011408
04



012432
05



013935
06



011407
07



012416
08

Plugs, joints and insulation



013854
09



011399
10



012513
11



639320
12



011415
13



012521
14



014060
15

No.	Title	Ring-Fork Size	Container	Content	Cross section cable	Color	PU Amount	Article No.
01	Insulated connector	3.2 mm	-	-	1.5 - 2.5 mm ²	Blue	100	012424
02	Ring Tongue	4.3 mm	-	-	1.5 - 2.5 mm ²	Blue	100	012440
03	Ring in box KS2	4.3 mm	Plastic box KS2	200 PC	1.5 - 2.5 mm ²	Blue	1	013943
04	Ring in box KS4	4.3 mm	Plastic box KS4	400 PC	1.5 - 2.5 mm ²	Blue	1	011408
05	Insulated Connector	5.3 mm	-	-	1.5 - 2.5 mm ²	Blue	100	012432
06	Ring in box KS2	5.3 mm	Plastic box KS2	200 PC	1.5 - 2.5 mm ²	Blue	1	013935
07	Ring in box KS4	5.3 mm	Plastic box KS4	400 PC	1.5 - 2.5 mm ²	Blue	1	011407
08	Insulated Connector	6.4 mm	-	-	1.5 - 2.5 mm ²	Blue	100	012416
09	Insulated connector	6.4 mm	Plastic box KS2	150 PC	1.5 - 2.5 mm ²	Blue	1	013854
10	Ring in box KS4	6.4 mm	Plastic box KS4	450 PC	1.5 - 2.5 mm ²	Blue	1	011399
11	Insulated Connector	8.4 mm	-	-	1.5 - 2.5 mm ²	Blue	100	012513
12	Ring in box KS2	8.4 mm	Plastic box KS2	140 PC	1.5 - 2.5 mm ²	Blue	1	639320
13	Ring in box KS4	8.4 mm	Plastic box KS4	250 PC	1.5 - 2.5 mm ²	Blue	1	011415
14	Ring Tongue	10.5 mm	-	-	1.5 - 2.5 mm ²	Blue	100	012521
15	Insulated connector	10.5 mm	Plastic box KS4	150 PC	1.5 - 2.5 mm ²	Blue	1	014060

AGR: 12.302

Insulated spade connectors blue

- PVC insulated
- "Easy Entry" for easy entry of the wire into the connector
- Extra copper sleeve for strain relief



528960
01



012580
02



012564
03



012548
04



100006
05



No.	Title	Ring-Fork Size	Cross section cable	Color	PU Piece	Article No.
01	Blue Fork Connector	4.3 mm	1.5 - 2.5 mm ²	Blue	100	528960
02	Blue Fork Connector	4.3 mm	1.5 - 2.5 mm ²	Blue	100	012580
03	Blue Fork Connector	5.3 mm	1.5 - 2.5 mm ²	Blue	100	012564
04	Flange spade	5.3 mm	1.5 - 2.5 mm ²	Blue	100	012548
05	Blue Fork Connector	6.5 mm	1.5 - 2.5 mm ²	Blue	100	100006

AGR: 12.302

Insulated male blade connector blue

- PVC insulated
- "Easy Entry" for easy entry of the wire into the connector
- Extra copper sleeve for strain relief
- Available in carton and plastic boxes in different packaging units

Hints

- Also available in convenient transparent plastic boxes



KS2-KS4-KS5



BERA box 5



098764
01



416371
02



032386
03



012254
04



014133
05



011422
06

No.	Title	Plug size (width x thickness)	Connector type	Container	Content	Cross section cable	Color	PU Amount	Article No.
01	Insulated Connector	4,8 x 0,5	Insulated male	-	-	1.5 - 2.5 mm ²	Blue	100	098764
02	Blade Terminals	4,8 x 0,8	Insulated male	-	-	1.5 - 2.5 mm ²	Blue	100	416371
03	Male blade in box KS2	4,8 x 0,8	Insulated male	Plastic box KS2	200 PC	1.5 - 2.5 mm ²	Blue	1	032386
04	Blade Terminals	6,3 x 0,8	Insulated male	-	-	1.5 - 2.5 mm ²	Blue	100	012254
05	Insulated Connector	6,3 x 0,8	Insulated male	Plastic box KS2	220 PC	1.5 - 2.5 mm ²	Blue	1	014133
06	Male blade in box KS4	6,3 x 0,8	Insulated male	Plastic box KS4	500 PC	1.5 - 2.5 mm ²	Blue	1	011422

AGR: 12.302

Insulated female blade connector blue

- PVC insulated
- "Easy Entry" for easy entry of the wire into the connector
- Extra copper sleeve for strain relief



KS2-KS4-KS5

Plugs, joints and insulation

- Available in carton and plastic boxes in different packaging units

Hints

- Art.no. 219201 is nylon insulated and without strain relief
- Also available in convenient transparent plastic boxes



BERA box 5



013155
01

123626
02

012351
03

011376
04

098765
05

123632
06

012378
07

639370
08



011402
09

012610
10

013897
11

011403
12

219201
13

012300
14

013986
15

021781
16

012637
17

No.	Title	Plug size (width x thickness)	Connector type	Container	Content	Cross section cable	Color	PU Amount	Article No.
01	Female blade	2,8 x 0,8	Insulated female	-	-	1.5 - 2.5 mm ²	Blue	100	013155
02	Flat Receptacle	4,8 x 0,5	Fully insulated female	-	-	1.5 - 2.5 mm ²	Blue	100	123626
03	Insulated Connector	4,8 x 0,5	Insulated female	-	-	1.5 - 2.5 mm ²	Blue	100	012351
04	Female blade in box KS2	4,8 x 0,5	Insulated female	Plastic box KS2	250 PC	1.5 - 2.5 mm ²	Blue	1	011376
05	Insulated Connector	4,8 x 0,8	Fully insulated female	-	-	1.5 - 2.5 mm ²	Blue	100	098765

No.	Title	Plug size (width x thickness)	Connector type	Container	Content	Cross section cable	Color	PU Amount	Article No.
06	Flat Receptacle	4,8 x 0,8	Insulated female	-	-	1.5 - 2.5 mm ²	Blue	100	123632
07	Insulated Connector	6,3 x 0,8	Fully insulated female	-	-	1.5 - 2.5 mm ²	Blue	100	012378
08	Female blade in box KS4	6,3 x 0,8	Fully insulated female	Plastic box KS4	140 PC	1.5 - 2.5 mm ²	Blue	1	639370
09	Female blade in box KS5	6,3 x 0,8	Fully insulated female	Plastic box KS5	300 PC	1.5 - 2.5 mm ²	Blue	1	011402
10	Insulated Connector	6,3 x 0,8	Insulated female	-	-	1.5 - 2.5 mm ²	Blue	100	012610
11	Insulated Connector	6,3 x 0,8	Insulated female	Plastic box KS2	175 PC	1.5 - 2.5 mm ²	Blue	1	013897
12	Female blade in box KS4	6,3 x 0,8	Insulated female	Plastic box KS4	350 PC	1.5 - 2.5 mm ²	Blue	1	011403
13	Female blade hook nylon	6,3 x 0,8	Insulated female hook	-	-	1.5 - 2.5 mm ²	Blue	100	219201
14	Insulated Connector	6,3 x 0,8	Insulated piggy	-	-	1.5 - 2.5 mm ²	Blue	100	012300
15	Insulated Connector	6,3 x 0,8	Insulated piggy	Plastic box KS4	220 PC	1.5 - 2.5 mm ²	Blue	1	013986
16	Piggy back in box KS5	6,3 x 0,8	Insulated piggy	Plastic box KS5	350 PC	1.5 - 2.5 mm ²	Blue	1	021781
17	Flat Receptacle	7,7 x 0,8	Insulated female	-	-	1.5 - 2.5 mm ²	Blue	100	012637

AGR: 12.302

Insulated pin/bullet connector blue

- PVC insulated
- "Easy Entry" for easy entry of the wire into the connector
- Extra copper sleeve for strain relief
- Available in carton and plastic boxes in different packaging units

Hints

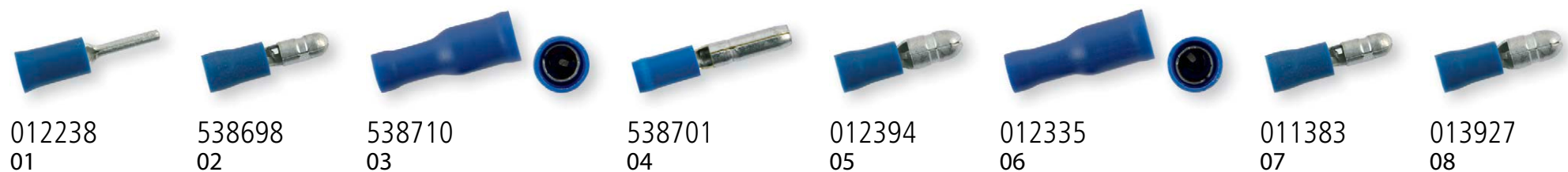
- Also available in convenient transparent plastic boxes



KS2-KS4-KS5



BERA box 5



012238
01

538698
02

538710
03

538701
04

012394
05

012335
06

011383
07

013927
08

Plugs, joints and insulation



011438
09



011437
10



014184
11



021785
12

No.	Title	Connector type	Container	Content	Cross section cable	Connetor Ø, Round	Socket Ø, Round	Color	PU Amount	Article No.
01	Receptacle Disconnecter	Insulated pin	-	-	1.5 - 2.5 mm ²	1.9 mm	1.9 mm	Blue	100	012238
02	Receptacle Disconnecter	Insulated male bullet	-	-	1.5 - 2.5 mm ²	4 mm	4 mm	Blue	100	538698
03	Receptacle Disconnecter	Insulated female bullet	-	-	1.5 - 2.5 mm ²	4 mm	4 mm	Blue	100	538710
04	Male Connector	-	-	-	1.5 - 2.5 mm ²	4 mm	4 mm	Blue	100	538701
05	Insulated Connector	Insulated male bullet	-	-	1.5 - 2.5 mm ²	5 mm	5 mm	Blue	100	012394
06	Insulated Connector	Insulated female bullet	-	-	1.5 - 2.5 mm ²	5 mm	5 mm	Blue	100	012335
07	Male bullet in box KS2	Insulated male bullet	Plastic box KS2	200 PC	1.5 - 2.5 mm ²	4 mm	-	Blue	1	011383
08	Insulated connector	Insulated male bullet	Plastic box KS2	200 PC	1.5 - 2.5 mm ²	5 mm	-	Blue	1	013927
09	Female bullet in box KS4	Insulated female bullet	Plastic box KS4	175 PC	1.5 - 2.5 mm ²	4 mm	-	Blue	1	011438
10	Male bullet in box KS4	Insulated male bullet	Plastic box KS4	400 PC	1.5 - 2.5 mm ²	4 mm	-	Blue	1	011437
11	Insulated connector	Insulated female bullet	Plastic box KS4	200 PC	1.5 - 2.5 mm ²	5 mm	5 mm	Blue	1	014184
12	Female bullet in box KS5	Insulated female bullet	Plastic box KS5	350 PC	1.5 - 2.5 mm ²	4 mm	-	Blue	1	021785

AGR: 12.302

Insulated butt connector blue

- PVC insulated "Standard" version is without extra copper sleeve for strain relief
- PVC insulated "Double" version is with extra copper sleeve for strain relief and with "Easy Entry" for easy entry of the wire into the connector
- Nylon insulated "Window" version with inspection window to check if the electrical connection is correct. Also with extra copper sleeve for strain relief and with "Easy Entry" for easy entry of the wire into the connector



KS2-KS4-KS5



BERA box 5

Hints

- Also available in convenient transparent plastic boxes



012270
01



146194
02



118283
03



013994
04



011411
05

No.	Title	Connector type	Container	Content	Cross section cable	Color	PU Amount	Article No.
01	Insulated Connector	Insulated butt standard	-	-	1.5 - 2.5 mm ²	Blue	100	012270
02	Butt Connector **	Insulated butt double	-	-	1.5 - 2.5 mm ²	Blue	100	146194
03	Butt Connector ***	Insulated butt window	-	-	1.5 - 2.5 mm ²	Blue	100	118283
04	Insulated connector	Insulated butt standard	Plastic box KS2	150 PC	1.5 - 2.5 mm ²	Blue	1	013994
05	Butt Standard in box KS4	Insulated butt standard	Plastic box KS4	300 PC	1.5 - 2.5 mm ²	Blue	1	011411

AGR: 12.302

Insulated ring connectors yellow

- PVC insulated
- "Easy Entry" for easy entry of the wire into the connector
- Extra copper sleeve for strain relief
- Available in carton and plastic boxes in different packaging units

Hints

- Also available in convenient transparent plastic boxes



KS2-KS4-KS5



BERA box 5



556378
01



012459
02



013951
03



011410
04



013960
05



012467
06



012475
07



013978
08



021780
09



013846
10



021778
11



012408
12



184416
13

Plugs, joints and insulation

No.	Title	Ring-Fork Size	Container	Content	Cross section cable	Color	PU Amount	Article No.
01	Ring Tongue	4.3 mm	-	-	4 - 6 mm ²	Yellow	100	556378
02	Ring Tongue	5.3 mm	-	-	4 - 6 mm ²	Yellow	100	012459
03	Ring in box KS4	5.3 mm	Plastic box KS4	125 PC	4 - 6 mm ²	Yellow	1	013951
04	Ring in box KS4	6.4 mm	Plastic box KS4	250 PC	4 - 6 mm ²	Yellow	1	011410
05	Insulated Connector	6.4 mm	Plastic box KS4	120 PC	4 - 6 mm ²	Yellow	1	013960
06	Ring Tongue	6.5 mm	-	-	4 - 6 mm ²	Yellow	100	012467
07	Ring Tongue	8.4 mm	-	-	4 - 6 mm ²	Yellow	100	012475
08	Insulated Connector	8.4 mm	Plastic box KS4	150 PC	4 - 6 mm ²	Yellow	1	013978
09	Ring in box KS5	8.4 mm	Plastic box KS5	300 PC	4 - 6 mm ²	Yellow	1	021780
10	Ring in box KS4	10.4 mm	Plastic box KS4	150 PC	4 - 6 mm ²	Yellow	1	013846
11	Ring in box KS5	10.4 mm	Plastic box KS5	200 PC	4 - 6 mm ²	Yellow	1	021778
12	Ring Tongue	10.5 mm	-	-	4 - 6 mm ²	Yellow	100	012408
13	Ring	13 mm	-	-	4 - 6 mm ²	Yellow	100	184416

AGR: 12.302

Insulated spade connectors yellow

- PVC insulated
- "Easy Entry" for easy entry of the wire into the connector
- Extra copper sleeve for strain relief



100007
01



012572
02



100008
03



100010
04



No.	Title	Ring-Fork Size	Cross section cable	Color	PU Piece	Article No.
01	Fork Connector	4.3 mm	4 - 6 mm ²	Yellow	100	100007
02	Fork Connector	5.3 mm	4 - 6 mm ²	Yellow	100	012572
03	Fork Connector	6.5 mm	4 - 6 mm ²	Yellow	100	100008
04	Fork Connector	8.4 mm	4 - 6 mm ²	Yellow	100	100010

AGR: 12.302

Insulated male blade connector yellow

- PVC insulated
- "Easy Entry" for easy entry of the wire into the connector
- Extra copper sleeve for strain relief
- Available in carton and plastic boxes in different packaging units

Hints

- Also available in convenient transparent plastic boxes



KS2-KS4-KS5



538655
01



022029
02

022030
03

No.	Title	Plug size (width x thickness)	Connector type	Container	Content	Cross section cable	Color	PU Amount	Article No.
01	Blade Terminal, Yellow	6,3 x 0,8	Insulated male	-	-	4 - 6 mm ²	Yellow	100	538655
02	Male blade in box KS2	6,3 x 0,8	Insulated male	Plastic box KS2	140 PC	4 - 6 mm ²	Yellow	1	022029
03	Male blade in box KS4	6,3 x 0,8	Insulated male	Plastic box KS4	300 PC	4 - 6 mm ²	Yellow	1	022030

AGR: 12.302

Insulated female blade connector yellow

- PVC insulated
- "Easy Entry" for easy entry of the wire into the connector
- Extra copper sleeve for strain relief
- Available in carton and plastic boxes in different packaging units

Hints

- Also available in convenient transparent plastic boxes



KS2-KS4-KS5



BERA box 5

INTERNAL/Approved (2019-03-22 21:34:41)

Plugs, joints and insulation



556360
01



033005
02



033007
03



012629
04



013900
05



011404
06



123635
07



667706
08



014168
09



123634
10



012645
11

No.	Title	Plug size (width x thickness)	Connector type	Container	Content	Cross section cable	Color	PU Amount	Article No.
01	Flat Receptacle	6,3 x 0,8	Fully insulated female	-	-	4 - 6 mm ²	Yellow	100	556360
02	Female blade in box KS2	6,3 x 0,8	Fully insulated female	Plastic box KS2	125 PC	4 - 6 mm ²	Yellow	1	033005
03	Female blade in box KS5	6,3 x 0,8	Fully insulated female	Plastic box KS5	250 PC	4 - 6 mm ²	Yellow	1	033007
04	Flat Receptacle	6,3 x 0,8	Insulated female	-	-	4 - 6 mm ²	Yellow	100	012629
05	Female blade in box KS2	6,3 x 0,8	Insulated female	Plastic box KS2	125 PC	4 - 6 mm ²	Yellow	1	013900
06	Female blade in box KS4	6,3 x 0,8	Insulated female	Plastic box KS4	250 PC	4 - 6 mm ²	Yellow	1	011404
07	Isolated Connector	6,3 x 0,8	Insulated piggy	-	-	4 - 6 mm ²	Yellow	100	123635
08	Female blade in box KS4	9,5 x 1,14	Insulated female	Plastic box KS4	200 PC	4 - 6 mm ²	Yellow	1	667706
09	Female blade in box KS4	9,5 x 1,14	Insulated female	Plastic box KS4	125 PC	4 - 6 mm ²	Yellow	1	014168
10	Insulated Connector	9,5 x 1,2	Fully insulated female	-	-	4 - 6 mm ²	Yellow	100	123634
11	Flat Receptacle	9,5 x 1,2	Insulated female	-	-	4 - 6 mm ²	Yellow	100	012645

AGR: 12.302

Insulated pin/bullet connector yellow

- PVC insulated
- "Easy Entry" for easy entry of the wire into the connector
- Extra copper sleeve for strain relief



123627
01



166880
02



166898
03

No.	Title	Connector type	Cross section cable	Connetor Ø, Round	Socket Ø, Round	Color	PU Piece	Article No.
01	Receptacle Disconnecter	Insulated pin	4 - 6 mm ²	2.8 mm	2.8 mm	Yellow	100	123627
02	Receptacle Disconnecter	Insulated male bullet	4 - 6 mm ²	5 mm	5 mm	Yellow	100	166880
03	Receptacle Disconnecter	Insulated female bullet	4 - 6 mm ²	5 mm	5 mm	Yellow	100	166898

AGR: 12.302

Insulated butt connector yellow

- PVC insulated "Standard" version is without extra copper sleeve for strain relief
- PVC insulated "Double" version is with extra copper sleeve for strain relief and with "Easy Entry" for easy entry of the wire into the connector
- Nylon insulated "Window" version with inspection window to check if the electrical connection is correct. Also with extra copper sleeve for strain relief and with "Easy Entry" for easy entry of the wire into the connector



KS2-KS4-KS5



BERA box 5

Hints

- Also available in convenient transparent plastic boxes



012289
01



118284
02



146197
03



014001
04



021782
05

No.	Title	Connector type	Container	Content	Cross section cable	Color	PU Amount	Article No.
01	Butt Connector *	Insulated butt standard	-	-	4 - 6 mm ²	Yellow	100	012289
02	Butt Connector ***	Insulated butt window	-	-	4 - 6 mm ²	Yellow	100	118284
03	Butt Connector **	Insulated butt double	-	-	4 - 6 mm ²	Yellow	100	146197
04	Insulated Connector	Insulated butt standard	Plastic box KS4	180 PC	4 - 6 mm ²	Yellow	1	014001
05	Butt Standard in box KS5	Insulated butt standard	Plastic box KS5	250 PC	4 - 6 mm ²	Yellow	1	021782

AGR: 12.302

Contact MCP



184433
01



184434
02



184875
03



184874
04

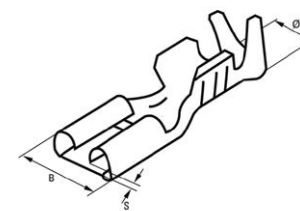
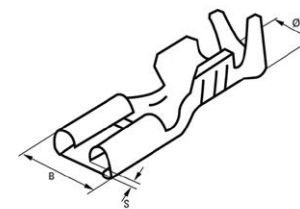


184876
05

No.	Title	Cross section cable	Plug size (width x thickness)	Material	Extraction Tool	PU Piece	Article No.
01	CONTACT MCP 0,2-0,35 / 2,8X0,8	0.2 - 0.35 mm ²	2,8 x 0,8	Cu NiSi tin-plated	39784	50	184433
02	CONTACT MCP 0,5-1,0 / 2,8X0,8	0.5 - 1.0 mm ²	2,8 x 0,8	Cu NiSi tin-plated	39784	50	184434
03	CONTACT MCP 0,5-1,0/2,8X0,8/3,4	0.5 - 1.0 mm ²	2,8 x 0,8	Cu NiSi tin-plated	39784	50	184875
04	CONTACT MCP 1,5-2,5 / 2,8X0,8	1.5 - 2.5 mm ²	2,8 x 0,8	Cu NiSi tin-plated	39784	50	184874
05	CONTACT MCP 1,5-2,5/2,8X0,8/3,4	1.5 - 2.5 mm ²	2,8 x 0,8	Cu NiSi tin-plated	39784	50	184876

AGR: 12.303

Blade Receptacles

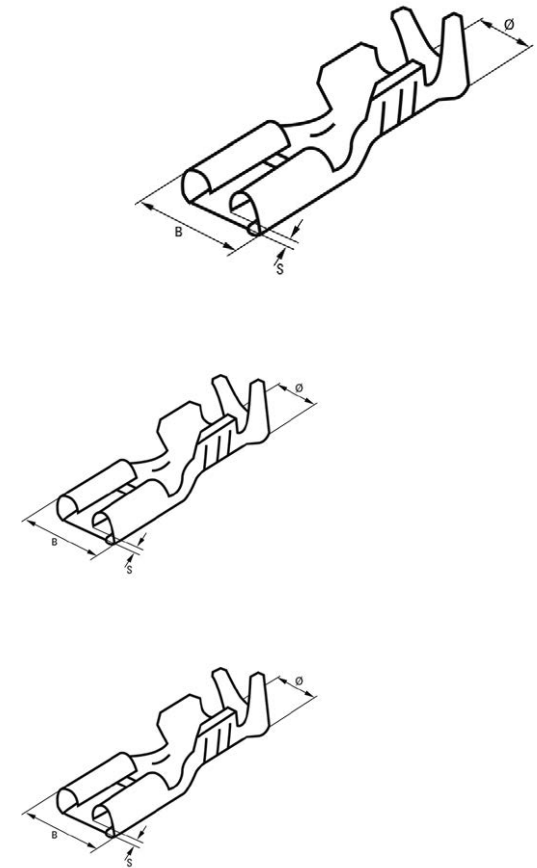


011924 01 013064 02 03 012114 04 333670 05 012122 06 034307 07 333930 08 333689 09 859859 10 11 012653 12 012130 13

No.	Title	Cross section cable	Plug size (width x thickness)	Material	Extraction Tool	PU Piece	Article No.
01	Blade Receptacles	0.5 - 1.0 mm ²	4,8 x 0,8	Brass blank	124418	100	011924
02	Blade Receptacles	0.5 - 1.0 mm ²	6,3 x 0,8	Brass blank	173340	100	013064
03	Blade Receptacles	0.5 - 1.0 mm ²	2,8 x 0,5	Brass tinned	173338 173340 124423	100	333700
04	Blade Receptacles	0.5 - 1.5 mm ²	6,3 x 0,8	Brass blank	173340	100	012114

INTERNAL/Approved (2019-03-22 21:36:05)

Blade Receptacle with Barbs



INTERNAL/Approved (2019-03-22 21:36:09)

Plugs, joints and insulation

No.	Title	Cross section cable	Plug size (width x thickness)	Material	Extraction Tool	PU Piece	Article No.
01	Blade Receptacles	0.5 - 1.0 mm ²	2,8 x 0,5	Brass tinned	173337 124415	100	013072
02	Blade Receptacles	0.5 - 1.5 mm ²	6,3 x 0,8	Tin bronze tin plated	173345	100	333646
03	Blade Receptacles	0.5 - 1.5 mm ²	2,8 x 0,5	Tin bronze tin plated	173337 173345 124415	100	333883
04	Blade Receptacles	0.5 - 1.5 mm ²	2,8 x 0,8	Brass tinned	173337 173345 124415	100	333913
05	Blade Receptacles	1.0 - 2.5 mm ²	6,3 x 0,8	Brass blank	124417	100	012092
06	Blade Receptacles	1.0 - 2.5 mm ²	8,0 x 0,8	Brass blank	173340	100	012149
07	Blade Receptacles	1.0 - 2.5 mm ²	6,3 x 0,8	Brass tinned	173345	100	333948
08	Blade Receptacles	1.0 - 2.5 mm ²	6,3 x 0,8	Brass silver plated	173345	100	122548
09	Blade Receptacles	1.0 - 2.5 mm ²	8,0 x 0,8	Brass tinned	173338	100	013080
10	Blade Receptacles	2.5 - 6.0 mm ²	6,3 x 0,8	Brass blank	124418	100	013102
11	Blade Receptacles	2.5 - 6.0 mm ²	6,3 x 0,8	Brass tinned	173345	100	333638
12	Blade Receptacles	4.0 - 6.0 mm ²	6,3 x 0,8	Brass silver plated	124418	100	333239
13	Blade Receptacles	4.0 - 6.0 mm ²	6,3 x 0,8	Brass tinned	173345	100	034302

AGR: 12.303

Plug Distributor



012173
01

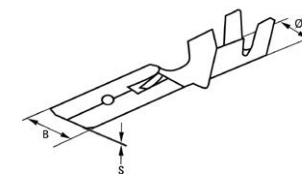
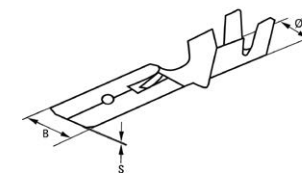


011916
02

No.	Title	Cross section cable	Plug size (width x thickness)	Material	PU Piece	Article No.
01	Plug Distributor	0.5 - 1.5 mm ²	6,3 x 0,8	Brass blank	100	012173
02	Blade Receptacles	0.5 - 1.5 mm ²	6,3 x 0,8	Brass blank	100	011916

AGR: 12.303

Blade Terminals with Barb



333905 01 012009 02 333921 03 291765 04 012025 05 333662 06 012017 07 333395 08 333298 09

No.	Title	Cross section cable	Plug size (width x thickness)	Material	Extraction Tool	PU Piece	Article No.
01	Blade Terminal	0.2 - 0.6 mm ²	2,8 x 0,8	Brass tinned	173337 173338 124415	100	333905
02	Blade Terminal	0.5 - 1.0 mm ²	2,8 x 0,8	Brass blank	124415	100	012009
03	Blade Terminal	0.5 - 1.0 mm ²	6,3 x 0,8	Brass tinned	124415	100	333921
04	Blade Terminal	0.8 - 2.1 mm ²	6,3 x 0,8	Brass silver plated	124415	100	291765
05	Blade Terminal	1.0 - 2.5 mm ²	6,3 x 0,8	Brass blank	124415	100	012025
06	Blade Terminal	1.0 - 2.5 mm ²	6,3 x 0,8	Tin bronze tin plated	124415	100	333662

INTERNAL/Approved (2019-03-22 21:36:37)

Socket Contacts



083016
01



333379
02



333271
03



333859
04



333522
05



333581
06



333565
07

No.	Title	Socket Ø, Round	Cross section cable	Material	Extraction Tool	PU Piece	Article No.
01	Electronic Plug	1.6 mm	0.2 - 0.6 mm ²	Brass tinned	124425	50	083016
02	Socket Contacts	1.6 mm	0.5 - 1.0 mm ²	Brass tinned	124426	100	333379
03	Socket Contacts	2.1 mm	0.5 - 2.0 mm ²	Brass tinned	124426	100	333271
04	Socket Contacts	3.5 mm	0.5 - 2.0 mm ²	Brass tinned	124424	100	333859
05	Socket Contacts	3.5 mm	0.5 - 2.0 mm ²	Tin bronze tin plated	124424	100	333522
06	Socket Contacts	1.6 mm	0.75 - 1.5 mm ²	Brass tinned	124426	100	333581
07	Socket Contacts	2.1 mm	1.0 - 2.5 mm ²	Tin bronze tin plated	124426	100	333565

AGR: 12.303

Butt Connectors

Characteristics

- On the basis of VDE 0220 - Provisions for press connectors in heavy-current wiring systems of up to 1000V
- Material: E-CU Pipe
- Surface: zinc-plated
- Heat resistant up to +125°C

Technical Data

Material	E-CU
----------	------



Title	Connector Number New	Cross-Section, Max	Connetor Ø, Round	External Ø, Cable Bundles	PU Piece	Article No.
Butt Connector	4501	10 mm ²	4.7 mm	-	25	032872
Butt Connector	4502	16 mm ²	5.6 mm	5.5 mm	25	032873
Butt Connector	4503	25 mm ²	7.4 mm	6.5 mm	25	032874
Butt Connector	4504	35 mm ²	8.6 mm	8 mm	25	032875
Butt Connector	4505	50 mm ²	10.4 mm	10 mm	10	032876
Butt Connector	4506	70 mm ²	12.1 mm	-	10	032877
Butt Connector	4507	95 mm ²	13.5 mm	-	10	032878

AGR: 12.303

Accessories Available

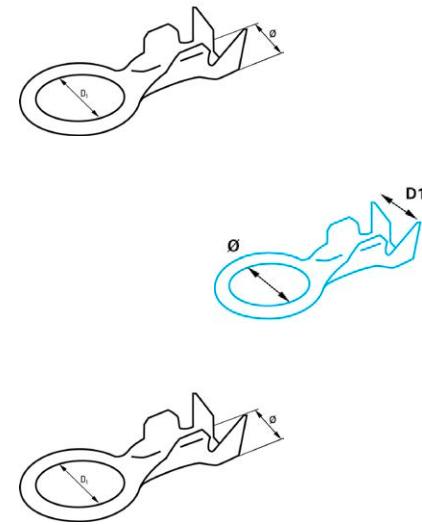
	PU Piece	Article No.
Crimping Pliers for Cable Lugs 25-150	1	051245

INTERNAL/Approved (2019-03-22 21:36:58)

Ring Cable Lugs

Characteristics

- Similar to DIN 46225



032677
01



032678
02



032679
03



032680
04



032681
05

No.	Title	Cross section cable	Ring-Fork Size	Material	PU Piece	Article No.
01	Ring Cable Lug	0.5 - 1.0 mm ²	4.3 mm	Brass blank	100	032677
02	Ring Cable Lug	0.5 - 1.0 mm ²	5.3 mm	Brass blank	100	032678
03	Ring Cable Lug	1.0 - 2.5 mm ²	6.5 mm	Brass blank	100	032679
04	Ring Cable Lug	1.0 - 2.5 mm ²	8.4 mm	Brass blank	100	032680
05	Ring Cable Lug	4.0 - 6.0 mm ²	8.4 mm	Brass blank	100	032681

AGR: 12.303

Electronic Plug



083015
01



333433
02



333573
03



333506
04



333530
05

No.	Title	Connetor Ø, Round	Socket Ø, Round	Cross section cable	Material	Extraction Tool	PU Piece	Article No.
01	Electronic Plug	1.6 mm	1.6 mm	0.2 - 0.6 mm ²	Brass tinned	124425	50	083015
02	Pin Terminal	1.6 mm	1.6 mm	0.5 - 1.0 mm ²	Cu-Sn tin-plated	124425	100	333433
03	Pin Terminal	2.1 mm	2.1 mm	1.0 - 2.5 mm ²	Tin bronze tin plated	173336	100	333573
04	Pin Terminal	3.5 mm	3.5 mm	0.5 - 2.0 mm ²	Brass tinned	124628	100	333506
05	Pin Terminal	3.5 mm	3.5 mm	0.5 - 2.0 mm ²	Cu-Sn tin-plated	124628	100	333530

AGR: 12.303

Non-Insulated Alligator Clip

Title	Amperage, A	PU Piece	Article No.
Crocodile Clip	5 A	10	668338

AGR: 12.303



Tubular Cable Shoe VDE 0220

Characteristics

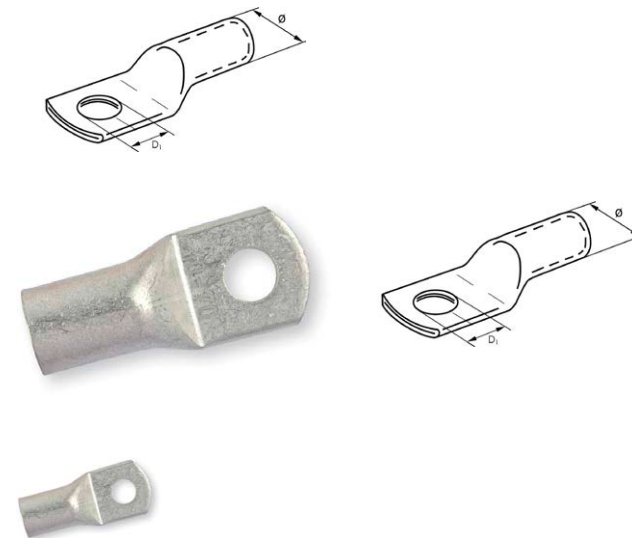
- On the basis of VDE 0220 - Provisions for press connectors in heavy-current wiring systems of up to 1000V
- Material: E-CU Pipe
- Surface: tin-plated
- Heat resistant up to +125° C

Technical Data

Material	E-CU
----------	------



Plugs, joints and insulation



Title	Connector Number New	Cross section cable	Ring-Fork Size	Ø Fixing Hole	PU Piece	Article No.
Tubular Lug	4901	6 mm ²	6.4 mm	6 mm	25	032827
Tubular Lug	4902	10 mm ²	5.2 mm	5 mm	25	032828
Tubular Lug	4903	10 mm ²	6.4 mm	6 mm	25	032829
Tubular Lug	4904	10 mm ²	8.3 mm	8 mm	25	032830
Tubular Lug	4905	10 mm ²	10.3 mm	10 mm	25	032831
Tubular Lug	4906	16 mm ²	6.4 mm	6 mm	25	032834
Tubular Lug	4907	16 mm ²	8.3 mm	8 mm	25	032835
Tubular Lug	4908	16 mm ²	10.3 mm	10 mm	25	032836
Tubular Lug	4909	25 mm ²	6.4 mm	6 mm	25	032837
Tubular Lug	4910	25 mm ²	8.3 mm	8 mm	25	032838
Tubular Lug	4911	25 mm ²	10.3 mm	10 mm	25	032839
Tubular Lug	4912	25 mm ²	12.8 mm	12 mm	25	032841
Tubular Lug	4913	35 mm ²	6.4 mm	6 mm	25	032842
Tubular Lug	4914	35 mm ²	8.3 mm	8 mm	25	032843
Tubular Lug	4915	35 mm ²	10.3 mm	10 mm	25	032844
Tubular Lug	4916	35 mm ²	12.8 mm	12 mm	25	032846
Tubular Lug	4917	50 mm ²	8.3 mm	8 mm	10	032847
Tubular Lug	4918	50 mm ²	10.3 mm	10 mm	10	032848
Tubular Lug	4919	50 mm ²	12 mm	-	10	032851
Tubular Lug	4920	70 mm ²	8.3 mm	8 mm	10	032853
Tubular Lug	4921	70 mm ²	10.3 mm	10 mm	10	032854

Title	Connector Number New	Cross section cable	Ring-Fork Size	Ø Fixing Hole	PU Piece	Article No.
Tubular Lug	4922	70 mm ²	12.8 mm	12 mm	10	032855
Tubular Lug	4923	95 mm ²	8 mm	-	10	032856
Tubular Lug	4924	95 mm ²	10.3 mm	10 mm	10	032857
Tubular Lug	4925	95 mm ²	12.8 mm	12 mm	10	032858

AGR: 12.303

Accessories Available

	PU Piece	Article No.
Crimping Pliers for Cable Lugs 25-150	1	051245

Soldering Cable Shoe DIN 46211



Characteristics

- DIN 46211 form A / form ring
- ROHS Compliant

Technical Data

Material Copper tinned

Title	Cross section cable	Ring-Fork Size	Thickness	PU Piece	Article No.
SOLD.CAB.LOG DIN46211 6X4,3	6 - 10 mm ²	6.5 mm	1.2 mm	50	174772
SOLD.CAB.LOG DIN46211 8X4,3	6 - 10 mm ²	8.4 mm	1.2 mm	50	174774
SOLD.CAB.LOG DIN46211 10X4,3	6 - 10 mm ²	10.5 mm	1.2 mm	50	174773
SOLD.CAB.LOG DIN46211 6X5,4	10 - 16 mm ²	6.5 mm	1.5 mm	50	174775
SOLD.CAB.LOG DIN46211 8X5,4	10 - 16 mm ²	8.4 mm	1.5 mm	50	174776
SOLD.CAB.LOG DIN46211 10X5,4	10 - 16 mm ²	10.4 mm	1.5 mm	50	174778
SOLD.CAB.LOG DIN46211 6X6,8	16 - 25 mm ²	6.5 mm	1.8 mm	50	174779
SOLD.CAB.LOG DIN46211 8X6,8	16 - 25 mm ²	8.4 mm	1.8 mm	50	174780
SOLD.CAB.LOG DIN46211 10X6,8	16 - 25 mm ²	10.5 mm	1.8 mm	50	174781
SOLD.CAB.LOG DIN46211 12X6,8	16 - 25 mm ²	13 mm	1.8 mm	50	174782
SOLD.CAB.LOG DIN46211 8X8,2	25 - 35 mm ²	8.4 mm	2 mm	25	174783
SOLD.CAB.LOG DIN46211 10X8,2	25 - 35 mm ²	10.5 mm	2 mm	25	163074
SOLD.CAB.LOG DIN46211 12X8,2	25 - 35 mm ²	13 mm	2 mm	25	163073
SOLD.CAB.LOG DIN46211 8X9,5	35 - 50 mm ²	8.4 mm	2.5 mm	25	163072
SOLD.CAB.LOG DIN46211 10X9,5	35 - 50 mm ²	10.5 mm	2.5 mm	25	163071

INTERNAL/Approved (2019-03-22 21:37:41)

Title	Cross section cable	Ring-Fork Size	Thickness	PU Piece	Article No.
SOLD.CAB.LOG DIN46211 12X9,5	35 - 50 mm ²	13 mm	2.5 mm	25	163070

AGR: 12.303

Insulation Sleeve for Grommet

Hints

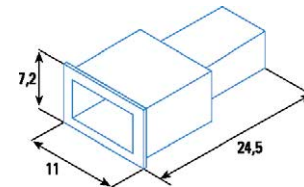
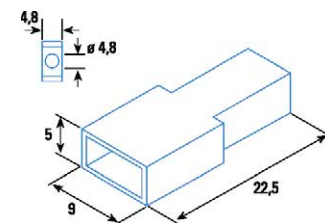
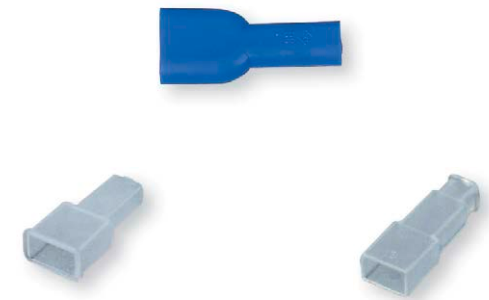
- Color: white

Technical Data

Material Polyethylene (PE)

Title	Length	Color	PU Piece	Article No.
Grommet	22 mm	White	100	011959
Grommet	24 mm	White	100	011940

AGR: 12.304



Micro Timer



184437
01



083019
02



133186
03



133194
04



184438
05



184443
06

No.	Title	Cross section cable	Plug size (width x thickness)	Material	Extraction Tool	PU Piece	Article No.
01	CONTACT MT 0,2-0,5 / 1,6X0,6	0.2 - 0.5 mm ²	1,6 x 0,6	Cu-Sn tin-plated	173344	50	184437
02	Electronic Plug	0.2 - 0.6 mm ²	1,6 x 0,6	Cu-Sn tin-plated	33701	50	083019
03	Blade Terminal	0.5 - 1.0 mm ²	1,6 x 0,6	Cu-Fe tin-plated	33701	50	133186
04	Contacts	0.5 - 1.0 mm ²	1,6 x 0,6	Cu-Fe tin-plated	173344	50	133194
05	CONTACT MT 0,5-1,0/1,6X0,6/2,6	0.5 - 1.0 mm ²	1,6 x 0,6	Cu-Fe tin-plated	173344	50	184438
06	FLAT CONTACT MT0,5-1,0/1,6X0,6	0.5 - 1.0 mm ²	1,6 x 0,6	Cu-Fe tin-plated	33701	50	184443

AGR: 12.303

Standard Power Timer



170114
01



170118
02



133189
03

No.	Title	Cross section cable	Plug size (width x thickness)	Material	Extraction Tool	PU Piece	Article No.
01	Contacts	0.5 - 1.0 mm ²	4,8 x 0,8 5,8 x 0,8 6,3 x 0,8	Cu-Sn tin-plated	124627	100	170114
02	Flat Connector	1.0 - 2.5 mm ²	4,8 x 0,8	Cu-Fe tin-plated	124627	100	170118
03	Flat Connector	1.5 - 2.5 mm ²	4,8 x 0,8	Cu-Fe tin-plated	124420	50	133189

AGR: 12.303

Plugs, joints and insulation

Standard Timer



333603
01



158957
02



158958
03

No.	Title	Cross section cable	Plug size (width x thickness)	Material	Extraction Tool	PU Piece	Article No.
01	Contacts	0.5 - 1.0 mm ²	4,8 x 0,8	Cu-Sn tin-plated	173337 124627	100	333603
02	Contacts	1.5 - 2.5 mm ²	4,8 x 0,8 6,3 x 0,8	Cu-Fe tin-plated	124627	50	158957
03	Contacts	2.5 - 4.0 mm ²	4,8 x 0,8 6,3 x 0,8	Cu-Fe tin-plated	124627	50	158958

AGR: 12.303

Junior Power Timer



170110 170111 170113 170117 083014 158961 158963 170116 133187 184444 170109 333310 333611 170112 158965 133188
01 02 03 04 05 06 07 08 09 10 11 12 13 14 15 16



184445
17



170119
18

Plugs, joints and insulation

No.	Title	Cross section cable	Plug size (width x thickness)	Material	Extraction Tool	PU Piece	Article No.
01	Contacts	0.2 - 0.6 mm ²	2,8 x 0,8	Cu-Fe tin-plated	124423	100	170110
02	Contacts	0.2 - 0.6 mm ²	2,8 x 0,8	Bronze silver plated	124423	100	170111
03	Contacts	0.5 - 1 mm ²	2,8 x 0,8	Cu-Fe gold plated	124415 124420	100	170113
04	Contacts	0.5 - 1.0 mm ²	4,8 x 0,8 6,3 x 0,8	Cu-Fe tin-plated	124627	100	170117
05	Electronic Plug	0.5 - 1.0 mm ²	2,8 x 0,8	Cu-Fe tin-plated	124415 124423	50	083014
06	Contacts	0.5 - 1.0 mm ²	2,8 x 0,8 4,8 x 0,8	Cu-Sn tin-plated	173337 124415	50	158961
07	Contacts	0.5 - 1.0 mm ²	2,8 x 0,8 4,8 x 0,8	Cu-Sn gold plated	124423	50	158963
08	Blade Terminal	0.5 - 1.0 mm ²	2,8 x 0,8	Copper silver plated	124423	50	170116
09	Blade Terminal	0.5 - 1.0 mm ²	2,8 x 0,8	Cu-Fe tin-plated	173343 124423	50	133187
10	FLAT CONTACTJPT0,5-1,0/2,8X0,8	0.5 - 1.0 mm ²	2,8 x 0,8	Cu-Fe tin-plated	173337	50	184444
11	Flat Connector	0.5 - 1.5 mm ²	2,8 x 0,8	Cu-Sn tin-plated	173337	100	170109
12	Contacts	1.0 - 2.5 mm ²	2,8 x 0,8	Cu-Fe tin-plated	-	100	333310
13	Contacts	1.0 - 2.5 mm ²	2,8 x 0,8	Cu-Sn tin-plated	173337	100	333611
14	Contacts	1.5 - 2.5 mm ²	2,8 x 0,8	Cu-Sn gold plated	124423	100	170112
15	Contacts	1.5 - 2.5 mm ²	2,8 x 0,8 4,8 x 0,8	Cu-Sn tin-plated	124423 124415	50	158965
16	Flat Connector	1.5 - 2.5 mm ²	2,8 x 0,8	Cu-Fe tin-plated	173343 124423	50	133188
17	FLAT CONTACTJPT1,5-2,5/2,8X0,8	1.5 - 2.5 mm ²	2,8 x 0,8	Cu-Fe tin-plated	173337	50	184445
18	Contacts	2.5 - 4.0 mm ²	4,8 x 0,8 5,8 x 0,8 6,3 x 0,8	Cu-Fe tin-plated	124627	100	170119

AGR: 12.303

Non-Insulated Butt Connector Contacts

Technical Data

Material Cu-Sn tin-plated



184873
01



184428
02



184427
03

No.	Title	Connector Number New	Cross-Section, Max	PU Piece	Article No.
01	CONNECTOR UNI 0,2-0,356	4377	0.35 mm ²	100	184873
02	CONNECTOR UNI 0,5-1,0	4378	1.0 mm ²	100	184428
03	CONNECTOR UNI 1,5-2,5	4379	2.5 mm ²	100	184427

AGR: 12.303

Accessories Available

	PU Amount	Article No.
Connector Pliers 602	1	724351

Contact MCNO



184439
01



184440
02

No.	Title	Cross section cable	Plug size (width x thickness)	Material	PU Piece	Article No.
01	CONTACTMCON0,5-0,7/1,2X0,6/2,6	0.5 - 0.75 mm ²	1,2 x 0,6	Cu NiSi tin-plated	50	184439
02	CONTACTMCONEDS0,5-0,75/1,2X0,6	0.5 - 0.75 mm ²	1,2 x 0,6	Cu NiSi tin-plated	50	184440

AGR: 12.303

Micro Power Quadlok-System



184877
01



184879
02



184878
03



184880
04

No.	Title	Cross section cable	Plug size (width x thickness)	Material	Extraction Tool	PU Piece	Article No.
01	CONTACT MPQ 0,5-1,0 / 2,8X0,63	0.5 - 1.0 mm ²	2,8 x 0,6	Cu-Sn tin-plated	124416	50	184877
02	FLAT CONTACTMPQ0,5-1,0/2,8X0,6	0.5 - 1.0 mm ²	2,8 x 0,6	Cu-Sn tin-plated	124416	50	184879
03	CONTACT MPQ 1,5-2,5 / 2,8X0,63	1.5 - 2.5 mm ²	2,8 x 0,6	Cu-Sn tin-plated	124416	50	184878
04	FLAT CONTACTMPQ1,5-2,5/2,8X0,6	1.5 - 2.5 mm ²	2,8 x 0,6	Cu-Sn tin-plated	124416	50	184880

AGR: 12.303

Micro Quadlok-System



184435
01



184436
02



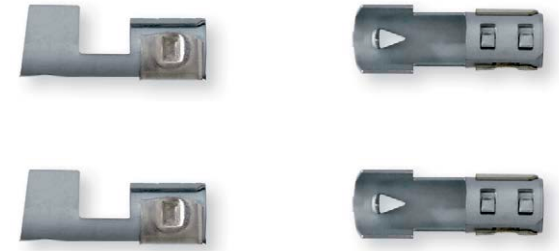
184441
03



184442
04

No.	Title	Connetor Ø, Round	Cross section cable	Material	Extraction Tool	PU Piece	Article No.
01	CONTACT MQS 0,5-0,75/0,63	0.63 mm	0.5 - 0.75 mm ²	Cu NiSi tin-plated	124416	50	184435
02	CONTACT MQS 0,5-0,75/0,63/2,6	0.63 mm	0.5 - 0.75 mm ²	Cu NiSi tin-plated	124416	50	184436
03	FLAT CONTACT MQS 0,5-0,75	0.63 mm	0.5 - 0.75 mm ²	Cu NiSi tin-plated	124416	50	184441
04	FLAT CONTACT MQS 0,5-0,75/2,6	0.63 mm	0.5 - 0.75 mm ²	Cu NiSi tin-plated	124416	50	184442

AGR: 12.303

Spark Plug Connector SAE

Title	PU Piece	Article No.
IGNITION LEAD SAE AGR: 12.710	50	153365

Heat shrink butt connector white

- Waterproof, thus no more moisture problems
- To crimp and shrink operation, thus versatile processing
- High strain relief

Application Area

- Specially designed for spray and dirt atmospheres

Characteristics

- Adhesive coated, resistant to abrasion

Processing Information

- First shrink with appropriate pair of pliers and then heat with gas burner or hot air gun

Hints

- Suitable for low voltage (12 - 24V)



170093
01

No.	Title	Connector type	Cross section cable	Color	PU Piece	Article No.
01	Heat Shrink Connector	Heat shrink butt	0.2 - 0.75 mm ²	White	100	170093

AGR: 12.301

Heat shrink ring connectors red

- "Waterproof, thus no more moisture problems"
- To crimp and shrink operation, thus versatile processing
- High strain relief"

Application Area

- Specially designed for spray and dirt atmospheres

Processing Information

- Adhesive coated, resistant to abrasion

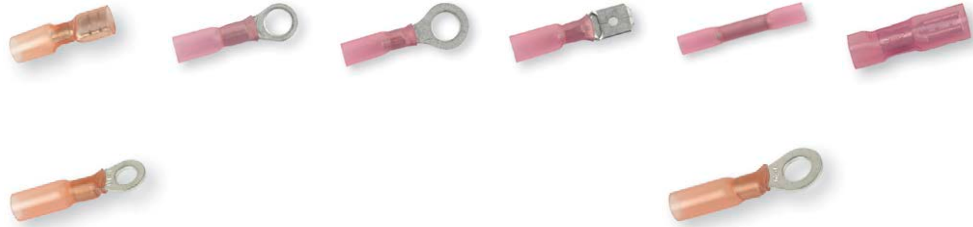


INTERNAL/Approved (2019-03-22 21:39:02)

Plugs, joints and insulation

Hints

- Suitable for low voltage (12 - 24V)



144703
01

145297
02



539007
03

No.	Title	Ring-Fork Size	Cross section cable	Color	PU Piece	Article No.
01	Heat Shrink Connector	4.3 mm	0.5 - 1.5 mm ²	Red	100	144703
02	Heat Shrink Connector	5.3 mm	0.5 - 1.5 mm ²	Red	100	145297
03	Heat Shrink Connector	6.4 mm	0.5 - 1.5 mm ²	Red	100	539007

AGR: 12.301

Heat shrink male & female blade connectors red

- "Waterproof, thus no more moisture problems
- To crimp and shrink operation, thus versatile processing
- High strain relief"

Application Area

- Specially designed for spray and dirt atmospheres

Characteristics

- Adhesive coated, resistant to abrasion

Processing Information

- First shrink with appropriate pair of pliers and then heat with gas burner or hot air gun

Hints

- Suitable for low voltage (12 - 24V)
- Also available in convenient transparent plastic boxes



KS2-KS4-KS5





538914
01



538981
02

No.	Title	Plug size (width x thickness)	Connector type	Cross section cable	Color	PU Piece	Article No.
01	Heat Shrink Connector	6,3 x 0,8	Heat shrink female	0.5 - 1.5 mm ²	Red	100	538914
02	Heat Shrink Connector	6,3 x 0,8	Heat shrink male	0.5 - 1.5 mm ²	Red	100	538981

AGR: 12.301

Heat shrink butt connectors red

- "Waterproof, thus no more moisture problems
- To crimp and shrink operation, thus versatile processing
- High strain relief"

Application Area

- Specially designed for spray and dirt atmospheres

Characteristics

- Adhesive coated, resistant to abrasion

Processing Information

- First shrink with appropriate pair of pliers and then heat with gas burner or hot air gun

Hints

- Suitable for low voltage (12 - 24V)
- Also available in convenient transparent plastic boxes



KS2-KS4-KS5



336815
01

No.	Title	Connector type	Cross section cable	Color	PU Piece	Article No.
01	Heat Shrink Connector	Heat shrink butt	0.5 - 1.5 mm ²	Red	100	336815

AGR: 12.301

Plugs, joints and insulation

Heat shrink ring connectors blue

- “Waterproof, thus no more moisture problems
- To crimp and shrink operation, thus versatile processing
- High strain relief”

Application Area

- Specially designed for spray and dirt atmospheres

Characteristics

- Adhesive coated, resistant to abrasion

Processing Information

- First shrink with appropriate pair of pliers and then heat with gas burner or hot air gun

Hints

- Suitable for low voltage (12 - 24V)
- Also available in convenient transparent plastic boxes



KS2-KS4-KS5



145440
01

145513
02

145572
03

538949
04

538957
05

No.	Title	Ring-Fork Size	Cross section cable	Color	PU Piece	Article No.
01	Ring Tongue	4.3 mm	1.5 - 2.5 mm ²	Blue	100	145440
02	Ring Tongue	5.3 mm	1.5 - 2.5 mm ²	Blue	100	145513
03	Ring Tongue	6.4 mm	1.5 - 2.5 mm ²	Blue	100	145572
04	Ring Tongue	8.4 mm	1.5 - 2.5 mm ²	Blue	100	538949
05	Ring Tongue	10.5 mm	1.5 - 2.5 mm ²	Blue	100	538957

AGR: 12.301

Heat shrink male & female blade connectors blue

- “Waterproof, thus no more moisture problems
- To crimp and shrink operation, thus versatile processing
- High strain relief”

Application Area

- Specially designed for spray and dirt atmospheres

Processing Information

- Adhesive coated, resistant to abrasion

Hints

- Suitable for low voltage (12 - 24V)
- Also available in convenient transparent plastic boxes



KS2-KS4-KS5



538930
01



538990
02

No.	Title	Plug size (width x thickness)	Connector type	Cross section cable	Color	PU Piece	Article No.
01	Heat Shrink Connector	6,3 x 0,8	Heat shrink female	1.5 - 2.5 mm ²	Blue	100	538930
02	Heat Shrink Connector	6,3 x 0,8	Heat shrink male	1.5 - 2.5 mm ²	Blue	100	538990

AGR: 12.301

Heat shrink butt connectors blue

- “Waterproof, thus no more moisture problems
- To crimp and shrink operation, thus versatile processing
- High strain relief”

Application Area

- Specially designed for spray and dirt atmospheres

Characteristics

- Adhesive coated, resistant to abrasion



Plugs, joints and insulation

Processing Information

- First shrink with appropriate pair of pliers and then heat with gas burner or hot air gun

Hints

- Suitable for low voltage (12 - 24V)
- Also available in convenient transparent plastic boxes



336823
01



KS2-KS4-KS5

No.	Title	Connector type	Cross section cable	Color	PU Piece	Article No.
01	Heat Shrink Connector	Heat shrink butt	1.5 - 2.5 mm ²	Blue	100	336823

AGR: 12.301

Heat shrink ring connectors yellow

- "Waterproof, thus no more moisture problems
- To crimp and shrink operation, thus versatile processing
- High strain relief"

Application Area

- Specially designed for spray and dirt atmospheres

Characteristics

- Adhesive coated, resistant to abrasion

Processing Information

- First shrink with appropriate pair of pliers and then heat with gas burner or hot air gun

Hints

- Suitable for low voltage (12 - 24V)
- Also available in convenient transparent plastic boxes



KS2-KS4-KS5





145696
01



145750
02



145769
03



538922
04

No.	Title	Ring-Fork Size	Cross section cable	Color	PU Piece	Article No.
01	Heat Shrink Connector	5.3 mm	4 - 6 mm ²	Yellow	100	145696
02	Heat Shrink Connector	6.4 mm	4 - 6 mm ²	Yellow	100	145750
03	Heat Shrink Connector	8.4 mm	4 - 6 mm ²	Yellow	100	145769
04	Heat Shrink Connector	10.5 mm	4 - 6 mm ²	Yellow	100	538922

AGR: 12.301

Heat shrink butt connectors yellow

- "Waterproof, thus no more moisture problems
- To crimp and shrink operation, thus versatile processing
- High strain relief"

Application Area

- Specially designed for spray and dirt atmospheres

Characteristics

- Adhesive coated, resistant to abrasion

Processing Information

- First shrink with appropriate pair of pliers and then heat with gas burner or hot air gun

Hints

- Suitable for low voltage (12 - 24V)
- Also available in convenient transparent plastic boxes



KS2-KS4-KS5



336831
01

INTERNAL/Approved (2019-03-22 21:39:42)

Plugs, joints and insulation

No.	Title	Connector type	Cross section cable	Color	PU Piece	Article No.
01	Heat Shrink Connector	Heat shrink butt	4 - 6 mm ²	Yellow	100	336831

AGR: 12.301

Solder butt connectors

- "Great time-saving, as three worksteps can be done at once
- Visual inspection of connection possible thanks to transparent insulation
- Almost water-tight connection with sealing ring made of thermo-plastic additive material"

Application Area

- Specially designed for use in applications where a very high level of reliability is essential
- Solder connectors are particularly recommended in areas where it would be difficult to access later

Characteristics

- "Suitable for places which are difficult to access
up to 10 cables of diverse sizes can be soldered together, soldered together up to 10 cables of various sizes."

Processing Information

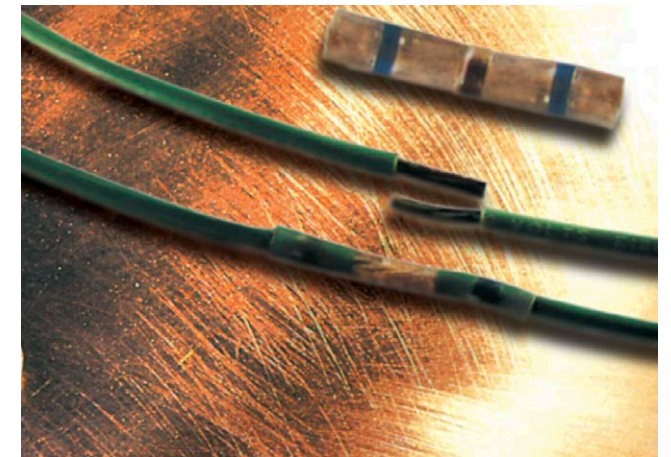
- Step 1: Insert the wires
- Step 2: Heat the solder connector using a hot air gun or gas burner
- Step 3: The sleeve shrinks, the solder ring melts, migrates to the core of the wires and the wires are soldered

Hints

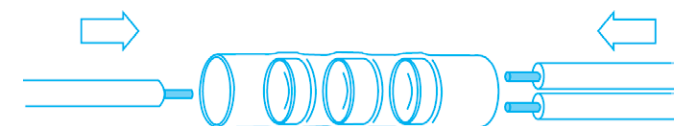
- Suitable for low voltage (12 - 24V)

Technical Data

Temperature range	-55 - +125 °C
-------------------	---------------



KS2-KS4-KS5



123599
01

086552
02

109439
03

109441
04

109424
05

109438
06

INTERNAL/Approved (2019-03-22 21:39:59)

Plugs, joints and insulation



109437
07



109435
08



109458
09



109459
10



109457
11

No.	Title	Color	Length	Cross section cable	Container	Content	PU Amount	Article No.
01	SLDRD BUTT JNT.-CONN.1000 TRAN	White	25 mm	0.3 - 0.8 mm ²	-	-	25	123599
02	Parallel Solder Connector	White	26 mm	0.3 - 0.8 mm ²	-	-	25/100	086552
03	DO-125 SOLD-PARALL-V.1-2 WHI R	Red	42 mm	0.5 - 1.5 mm ²	Box	125 PC	1	109439
04	DO-75 SOLD-PARALLELV.1-2 WHI R	Red	42 mm	0.5 - 1.5 mm ²	Box	75 PC	1	109441
05	Parallel Solder Connector	Red	42 mm	0.8 - 2.0 mm ²	-	-	25/100	109424
06	DO-100 SOLD-PARALL-V.2-4 WHI B	Blue	42 mm	1.5 - 2.5 mm ²	Box	100 PC	1	109438
07	DO-50 SOLD-PARALLELV.2-4 WHI B	Blue	42 mm	1.5 - 2.5 mm ²	Box	50 PC	1	109437
08	Parallel Solder Connector	Blue	42 mm	2.0 - 4.0 mm ²	-	-	25/100	109435
09	Parallel Solder Connector	Yellow	42 mm	4.0 - 6.0 mm ²	-	-	25/100	109458
10	DO-25 SOLD-PARALLELV.4-6 WHI G	Yellow	42 mm	4.0 - 6.0 mm ²	Box	25 PC	1	109459
11	DO-50 SOLD-PARALLELV.4-6 WHI G	Yellow	42 mm	4.0 - 6.0 mm ²	Box	50 PC	1	109457

AGR: 12.300

Accessories Available

Hot Air Blower BHAB-2300 E

PU
Piece

Article No.

1 028066

Soldering Gun for Electronic Equipment Pro 100

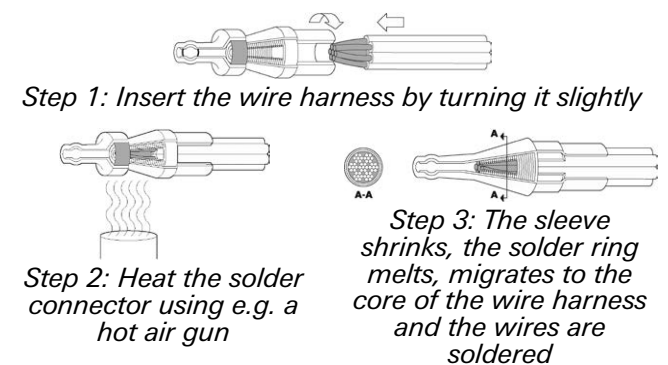
1 167059

Solder connectors with adhesive

- High time saving, because 3 work cycles can be done in one
- Visual monitoring of the connections through a transparent insulation
- Almost waterproof connection by a sealing ring out of thermoplastic, additive material

Application Area

- Specially designed for use in applications where a very high level of reliability is essential
- Solder connectors are particularly recommended in areas where it would be difficult to access later



INTERNAL/Approved (2019-03-22 21:40:06)

Characteristics

- Allowing the resin bead weld
- Insulation shrink.

Processing Information

- Specially designed for use in applications where a very high level of reliability is essential.
- They are particularly recommended in areas where it would be difficult to access later.

Hints

- Suitable for low voltage (12 - 24V)

Technical Data

Temperature range -55 - +125 °C



086551
01



109447
02



109448
03



109456
04

No.	Title	Color	Length	Cross section cable	PU Piece	Article No.
01	Solder Connector	Green	38 mm	0.7 - 2.4 mm ²	25	086551
02	Solder Connector	Red	38 mm	2.0 - 4.0 mm ²	25/100	109447
03	Solder Connector	Blue	46 mm	3.5 - 8.0 mm ²	25/100	109448
04	Solder Connector	Yellow	46 mm	7.5 - 12.0 mm ²	25	109456

AGR: 12.300

Accessories Available

	PU Piece	Article No.
Hot Air Blower BHAB-2300 E	1	028066
Soldering Gun for Electronic Equipment Pro 100	1	167059

INTERNAL/Approved (2019-03-22 21:40:10)

Heat Shrink Tubes Length 100 mm

- "Black, self extinguishing version for the electrical and mechanical insulation and as a corrosion protection method"
- Very good resistance against solvents and chemicals, meaning one material for various mediums"

Application Area

- "Protection against moisture
Insulation of cable connectors
Shrink fitting of small parts"

Characteristics

- Infusible, resistant to cold flow, high mechanical strength

Technical Data

Material	Radioation crosslinker
Shrinking Temperature	115 °C
Shrink Ratio	2:1
Dielectric capacity	15 kV/mm
Temperature resistance	-55 °C - 135 °C



Title	Ø Widened	Ø Shrunk	Thickness material	Length	PU Piece	Article No.
Heat Shrink Tubes	2.4 mm	1.2 mm	0.35 mm	100 mm	50	318248
Heat Shrink Tubes	3.2 mm	1.6 mm	0.4 mm	100 mm	50	318256
Heat Shrink Tubes	4.8 mm	2.4 mm	0.5 mm	100 mm	50	318264
Heat Shrink Tubes	6.4 mm	3.2 mm	0.55 mm	100 mm	50	318272
Heat Shrink Tubes	9.5 mm	4.8 mm	0.6 mm	100 mm	25	318280
Heat Shrink Tubes	12.7 mm	6.4 mm	0.65 mm	100 mm	10	318299
Heat Shrink Tubes	19 mm	9.5 mm	0.8 mm	100 mm	10	318302
Heat Shrink Tubing	25.4 mm	12.7 mm	0.9 mm	100 mm	10	318310

AGR: 12.323

Rolls of Heat Shrink Tubing

- Black, self extinguishing version for the electrical and mechanical insulation and protection against corrosion
- Excellent resistance against solvents and chemicals, by means of one material for various mediums

Application Area

- Black: Electric insulation, mechanical protection, labeling, bundling, tension relieve and corrosion protection
- Insulation of cable ties
- Shrinkage of small components

Characteristics

- Unmelt, coldflowcontantand and high mechanically firmness

Technical Data

Material	Radioation crosslinker
Shrinking Temperature	115 °C
Shrink Ratio	2:1
Dielectric capacity	15 kV/mm
Temperature resistance	-55 °C - 135 °C



Plugs, joints and insulation

Title	Ø Widened	Ø Shrunk	Thickness material	Length	PU Spool	Article No.
Heat shrink tubing	2.4 mm	1.2 mm	0.35 mm	10 m	1	267040
SHRINK HOSE PURPLE 3,2MM 10M	3.2 mm	1.6 mm	0.4 mm	10 m	1	129486
SHRINK HOSE ROLL GY 3,2MM 10M	3.2 mm	1.6 mm	0.4 mm	10 m	1	129483
Heat shrink tubing	3.2 mm	1.6 mm	0.4 mm	10 m	1	267104
Heat shrink tubing	4.8 mm	2.4 mm	0.5 mm	10 m	1	267112
SHRINK HOSE PURPLE 6,4MM 5M	6.4 mm	3.2 mm	0.55 mm	5 m	1	129481
SHRINK HOSE ROLL GY 6,4MM 5M	6.4 mm	3.2 mm	0.55 mm	5 m	1	129484
Heat shrink tubing	6.4 mm	3.2 mm	0.55 mm	5 m	1	267147
Heat shrink tubing	9.6 mm	4.8 mm	0.6 mm	5 m	1	267155
SHRINK HOSE PURPLE 12,7MM 5M	12.7 mm	6.4 mm	0.65 mm	5 m	1	129614
SHRINK HOSE ROLL GY 12,7MM 5M	12.7 mm	6.4 mm	0.65 mm	5 m	1	129482
Heat shrink tubing	12.7 mm	6.4 mm	0.65 mm	5 m	1	267244
Heat shrink tubing	19 mm	9.5 mm	0.8 mm	5 m	1	267252
Heat shrink tubing	25.4 mm	12.7 mm	0.9 mm	5 m	1	267260

AGR: 12.323

Accessories Available

	PU Piece	Article No.
BS 2101 Cable Unwinder, 9-fold, unequipped	1	241636

Adhesive Heat Shrink Tubing

- Black, self extinguishing version for the electrical and mechanical insulation and as a corrosion protection method
- Very good resistance against solvents and chemicals, meaning one material for various mediums

Application Area

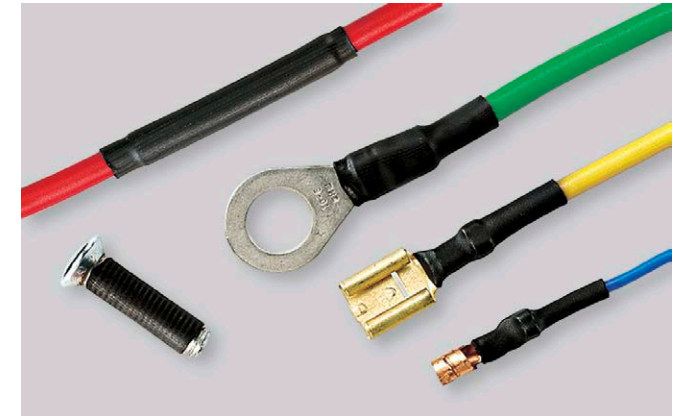
- Protection against moisture
- Insulation of cable connectors
- Shrink fitting of small parts

Characteristics

- Infusible, resistant to cold flow, high mechanical strength

Technical Data

Shrink Ratio	4:1
Temperature resistance	-45 °C - 125 °C



INTERNAL/Approved (2019-03-22 21:40:41)

Title	Ø Widened	Ø Shrunk	Thickness material	Length	PU Piece	Article No.
Heat shrink tubing	4 mm	1 mm	0.8 mm	1200 mm	1	811424

Individual insulating screw joint

- Ready for installation with highly twisted, captive screw
- VDE, ENEC and CSA / UL approval
- Voltage / current according to DIN EN 60998 / VDE 0613

Characteristics

- Material: polyamide is free of halogens, formaldehyde and cadmium
- Pole: 2-pole
- Color: black
- temperature resistant up to 100 ° C, briefly up to 150 ° C



Title	Color	Number Of Poles	Anschluss Querschnitt	Ampacity	PU Piece	Article No.
Insulating screw joint	black	12 PC	2.5 - 4 mm ²	24 A	10	013447
Luster Terminal	black	12 PC	4 - 6 mm ²	32 A	10	013455
Luster Terminal	black	12 PC	6 - 10 mm ²	41 A	10	013463
Luster Terminal	black	12 PC	10 - 16 mm ²	76 A	10	013471

AGR: 12.310

Screwless Plug-In Terminals

- Multiple wire cross-sections compatible in one terminal
- Highly transparent viewing window for visual control of the terminal point leads to increased safety during installation



Plugs, joints and insulation

- Lower insertion forces - high withdrawal forces
- Luminaire terminal panel: Combination of different conductor types is also possible (flexible, solid)

Application Area

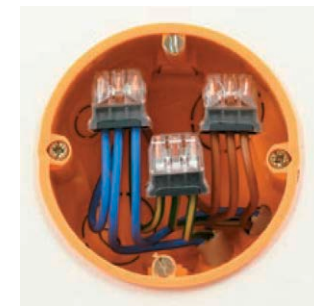
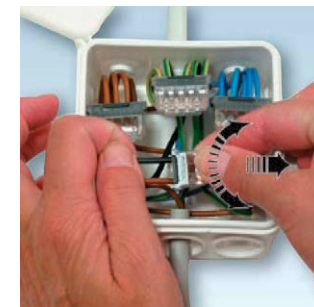
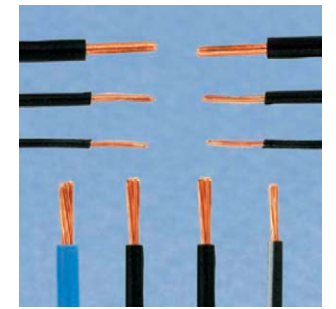
- Professional connections for the building trade

Characteristics

- Clamping range:
- 0.5 – 2.5 mm² for stiff, single-wire conductors
- 1.5 – 2.5 mm² for stiff, multiple-wire conductors

Technical Data

Housing	Plastic
Skinning From	8 mm
Skinning Up To	9 mm



Title	Color	Ampacity	Rated Voltage	Number Of Clamping Units	Connection cross section	PU Piece	Article No.
Transparent Plug-In Terminals SDK3	Transparent	24 A	450 V	3 PC	0.5 - 2.5 mm ²	100	027171
Transparent Plug-In Terminals SDK5	Transparent	24 A	450 V	5 PC	0.5 - 2.5 mm ²	100	027170
Transparent Plug-In Terminals SDK8	Transparent	24 A	450 V	8 PC	0.5 - 2.5 mm ²	50	027169

AGR: 12.310

INTERNAL/Approved (2019-03-22 21:40:50)

Wire connector SDKF

- Several wire cross-sections with one clamp compatible
- Convenient and tool-free plugging and removing of the conductors
- High pull-off force and low insertion force
- Stiff conductors are pluggable without opening the release lever
- Space saving compact design
- Window for controlling the contact point ensures increased safety during assembling
- Testing aperture for a phase tester or testing pin
- Measurement scheme for an accurate skinning directly on the clamp



Application Area

- All-round clamp usable for numerous of applications on building installations and luminaires

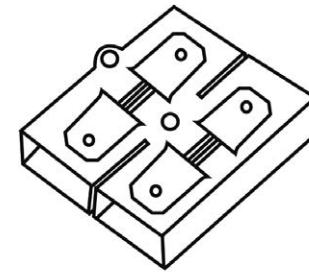
Title	PU Piece	Article No.
WIRECONNECTOR SDKF 2P. 0,2-2,5	100	215518
WIRECONNECTOR SDKF 3P. 0,2-2,5	75	215519
WIRECONNECTOR SDKF 5P. 0,2-2,5	50	215520

AGR: 12.310

Couplings for Blade Terminals

Characteristics

- For Blade Terminals 6.3 x 0.8 mm (width x thickness)



012866
01



013099
02



012874
03

No.	Title	Number of poles	For flat plug width x thickness	Connector Number New	PU Piece	Article No.
01	Coupling	3-pin	6.3 x 0.8 mm	5001	50	012866
02	Coupling	4-pin	6.3 x 0.8 mm	5003	50	013099
03	Coupling	24-pin	6.3 x 0.8 mm	5000	10	012874

AGR: 12.304

Housing 1-pole

Characteristics

- For flat connectors 6.3 x 0.8 mm (Width x Thickness)

Technical Data

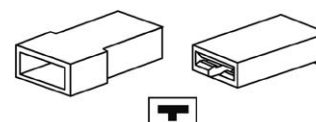
Cross-Section, Max 2.5 mm²



758396
01



758400
02



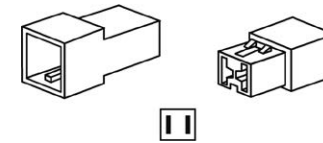
No.	Title	Number of poles	For flat plug width x thickness	Connector Number New	PU Piece	Article No.
01	Multiple Housing (Blade Terminals)	1-pin	6.3 x 0.8 mm	5100	25	758396
02	Multiple Housing (Blade Receptacles)	1-pin	6.3 x 0.8 mm	5101	25	758400

AGR: 12.304

Multiple Housing 2-pole

Characteristics

- For terminals 6.3 x 0.8 mm (width x thickness)



Technical Data

Cross-Section, Max 2.5 mm²



030430
01

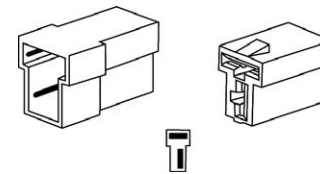


030449
02

No.	Title	Number of poles	For flat plug width x thickness	Connector Number New	PU Piece	Article No.
01	Multiple Housing (Blade Terminals)	2-pin	6.3 x 0.8 mm	5102	25	030430
02	Multiple Housing (Blade Receptacles)	2-pin	6.3 x 0.8 mm	5103	25	030449

AGR: 12.304

Multiple Housing, 2-pole, horizontal and vertical



Characteristics

- For terminals 6.3 x 0.8 mm (width x thickness)

Technical Data

Cross-Section, Max 2.5 mm²



030481
01



030635
02

No.	Title	Number of poles	For flat plug width x thickness	Connector Number New	PU Piece	Article No.
01	Multiple Housing (Blade Terminal)	2-pin	6.3 x 0.8 mm	5104	25	030481
02	Multiple Housing (Blade Receptacle)	2-pin	6.3 x 0.8 mm	5105	25	030635

AGR: 12.304

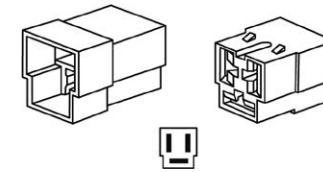
Multiple Housing 3-Pole

Characteristics

- For terminals 6.3 x 0.8 mm (width x thickness)

Technical Data

Cross-Section, Max 2.5 mm²



030643
01



030724
02

No.	Title	Number of poles	For flat plug width x thickness	Connector Number New	PU Piece	Article No.
01	Multiple Housing (Blade Terminals)	3-pin	6.3 x 0.8 mm	5106	10	030643
02	Multiple Housing (Blade Receptacles)	3-pin	6.3 x 0.8 mm	5107	10	030724

AGR: 12.304

Multiple Housing 4-Pole

Characteristics

- For flat connectors 6.3 x 0.8 mm (Width x Thickness)

Technical Data

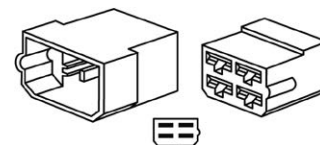
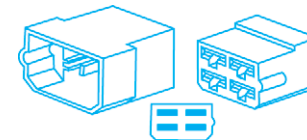
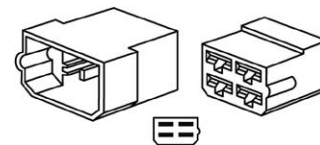
Cross-Section, Max 2.5 mm²



030740
01



030821
02



No.	Title	Number of poles	For flat plug width x thickness	Connector Number New	PU Piece	Article No.
01	Multiple Housing (Blade Terminal)	4-pin	6.3 x 0.8 mm	5108	10	030740
02	Multiple Housing (Blade Receptacle)	4-pin	6.3 x 0.8 mm	5109	10	030821

AGR: 12.304

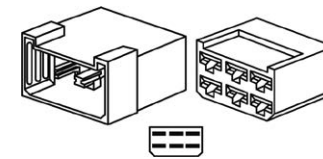
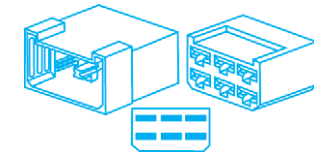
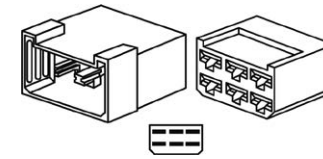
Multiple Housing 6-pole

Characteristics

- For flat connectors 6.3 x 0.8 mm (Width x Thickness)

Technical Data

Cross-Section, Max 2.5 mm²



030856
01



030864
02

No.	Title	Number of poles	For flat plug width x thickness	Connector Number New	PU Piece	Article No.
01	Multiple Housing (Blade Terminal)	6-pin	6.3 x 0.8 mm	5110	10	030856
02	Multiple Housing (Blade Receptacle)	6-pin	6.3 x 0.8 mm	5111	10	030864

AGR: 12.304

Multiple Housing 8-pole

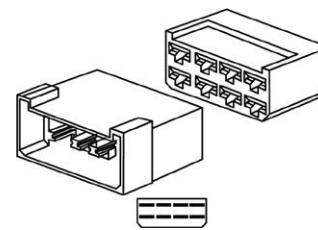
Characteristics

- For terminals 6.3 x 0.8 mm (width x thickness)

Technical Data

Cross-Section, Max

2.5 mm²



030970
01



031062
02

No.	Title	Number of poles	For flat plug width x thickness	Connector Number New	PU Piece	Article No.
01	Multiple Housing (Blade Terminal)	8-pin	6.3 x 0.8 mm	5112	10	030970
02	Multiple Housing (Blade Receptacle)	8-pin	6.3 x 0.8 mm	5113	10	031062

AGR: 12.304

Waterproof connectors Superseal AMP 1.5 Seals

- Protecting electrical connections against moisture and dirt
 - A good electrical connection is guaranteed
- In accordance with IEC 60529 and DIN 40050-9
- Protection class IP67
 - Completely protected against dust and against the effects of immersion



Technical Data

Cross section cable 0.75 - 1.5 mm²
 Material Polyethylene (PE)



166669
01



166668
02



166670
03

No.	Title	Color	Seal-Ø	Cable isolation-Ø	PU Piece	Article No.
01	Sealing	Green	1.4 - 3.3 mm	1.4 - 1.7 mm	100	166669
02	Sealing	Red	1.4 - 3.3 mm	2.6 - 3.3 mm	100	166668
03	Sealing	Yellow	1.4 - 3.3 mm	1.8 - 2.4 mm	100	166670

AGR: 12.304

Tool for water-tight plug connectors connectors

Application Area

- For mounting and demounting individual components



170400
01



170399
02



170402
03



170401
04

No.	Title	PU Piece	Article No.
01	Extraction Tool	1	170400
02	Extraction Tool	1	170399
03	Insertion Tool	1	170402
04	Insertion Tool	1	170401

AGR: 03.409

Waterproof connectors Superseal AMP 1.5 Repair kits

- Superseal AMP connector repair kits in customized packaging
 - ▶ No unnecessary searching for individual parts required
- Protecting electrical connections against moisture and dirt
 - ▶ A good electrical connection is guaranteed
- In accordance with IEC 60529 and DIN 40050-9
- Protection class IP67
 - ▶ Completely protected against dust and against the effects of immersion



Plug + cap repair kit



Cap repair kit



Plug repair kit

Plugs, joints and insulation



Title	Number of poles	Cross section cable	PU Set	Article No.
Plug Connector Kit, 1-pole	1-pin	0.75 - 1.5 mm ²	1	166788
Plug Connector Kit, 2-pole	2-pin	0.75 - 1.5 mm ²	1	166789
Plug Connector Kit, 3-pole	3-pin	0.75 - 1.5 mm ²	1	166790
Plug Connector Kit, 4-pole	4-pin	0.75 - 1.5 mm ²	1	166791
Plug Connector Kit, 5-pole	5-pin	0.75 - 1.5 mm ²	1	166792
Plug Connector Kit, 6-pole	6-pin	0.75 - 1.5 mm ²	1	166793
Plug Connector Kit, 8-pole	8-pin	1 - 2 mm ²	1	166794
Plug Connector Kit, 10-pole	10-pin	1 - 2 mm ²	1	166795

AGR: 12.304

Accessories Available

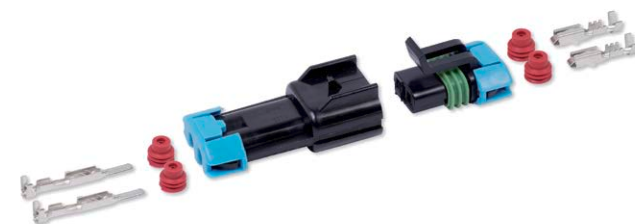
	PU Piece	Article No.
Connector Pliers 602	1	724351

Waterproof Connector Kits

- Selection of plug-in connectors with different pole numbers available
- Practical and clearly consistently packed in boxes which facilitates the search and compilation
- No needless searching of individual parts

Application Area

- For all plug-in connectors, which are exposed to external influences (moisture, dirt etc.)



Plug + cap repair kit 2 poles



Plug + cap repair kit 3 poles



INTERNAL/Approved (2019-03-22 21:42:27)

Waterproof connectors Superseal AMP 1.5 Repair parts

- Protecting electrical connections against moisture and dirt
 - ▶ A good electrical connection is guaranteed
- In accordance with IEC 60529 and DIN 40050-9
- Protection class IP67
 - ▶ Completely protected against dust and against the effects of immersion



166669



166670



166668



170303



166681



166682



166673
05



166678
06



166671
01



166676
02



166672
03



166677
04

No.	Title	Number of poles	Cross section cable	PU Piece	Article No.
01	Pin Housing	2-pin	0.75 - 1.5 mm ²	10	166671
02	Socket Housing	2-pin	0.75 - 1.5 mm ²	10	166676
03	Pin Housing	3-pin	0.75 - 1.5 mm ²	10	166672
04	Socket Housing	3-pin	0.75 - 1.5 mm ²	10	166677
05	Pin Housing	4-pin	0.75 - 1.5 mm ²	10	166673
06	Socket Housing	4-pin	0.75 - 1.5 mm ²	10	166678

AGR: 12.304

INTERNAL/Approved (2019-03-22 21:42:30)

Plugs, joints and insulation

Related Products

	PU Piece	Article No.
Pin housing 0,75-1,5 mm	100	166682
Socket Contact 0,75-1,5 mm	100	166681
Sealing green 1,4-1,7 mm	100	166669
Sealing yellow 1,8-2,4 mm	100	166670
Sealing red 2,6-3,3 mm	100	166668

Waterproof connectors Superseal AMP 1.5 Contacts

- Protecting electrical connections against moisture and dirt
 - ▶ A good electrical connection is guaranteed
- In accordance with IEC 60529 and DIN 40050-9
- Protection class IP67
 - ▶ Completely protected against dust and against the effects of immersion



166682
01



166681
02

No.	Title	Cross section cable	Material	Extraction Tool	PU Piece	Article No.
01	Pin housing	0.75 - 1.5 mm ²	Brass silver plated	170400	100	166682
02	Socket Contact	0.75 - 1.5 mm ²	Brass silver plated	170400	100	166681

AGR: 12.304

Accessories Available

	PU Piece	Article No.
Connector Pliers 602	1	724351

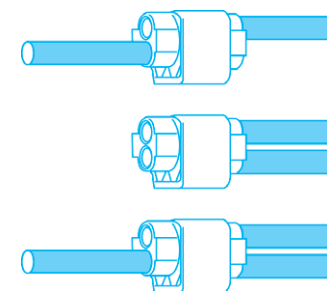
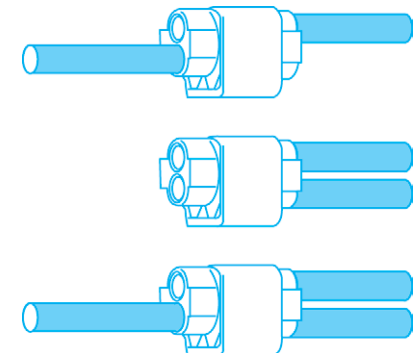
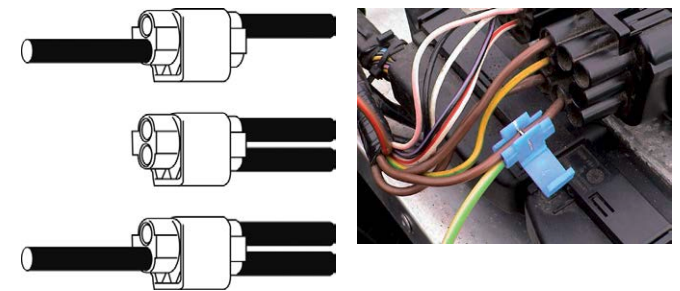
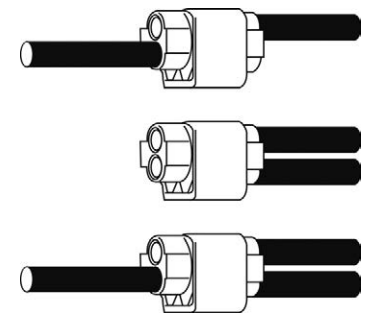
INTERNAL/Approved (2019-03-22 21:42:38)

Branch Connector

- A self-stripping connector comprising a body of insulating material having two guide channels and a son hinged cover for protecting the contacts.
- A metal element in duplicate U ensures electrical contact between the two conductors.

Application Area

- Allows for self-stripping fast connections, and work single or double bypass son on rigid or flexible copper.





013153
01



032871
02



013196
03



013161
04



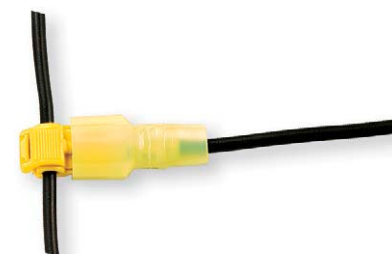
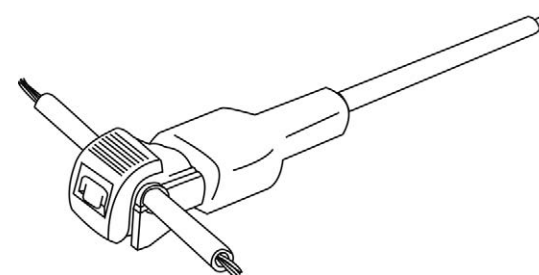
013145
05

No.	Title	Color	Cross section cable	PU Piece	Article No.
01	Branch Connector	Blue	0.7 - 2.0 mm ²	100	013153
02	Branch Connector	Blue	1.0 - 2.5 mm ²	100	032871
03	Branch Connector	Red	0.4 - 0.7 mm ²	100	013196
04	Branch Connector	Red	0.5 - 1.0 mm ²	100	013161
05	Branch Connector	Yellow	3.0 - 4.5 mm ²	100	013145

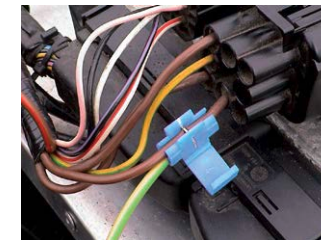
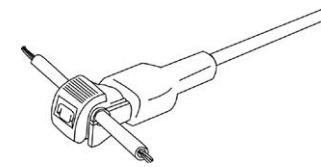
AGR: 12.304

Blade Receptacles and Branch Connectors

- The insulation displacement connectors are constituted by a body having a son of the guide channel and a hinged cover for protecting the contact.
- They allow you to easily perform all work on simple derivation son of rigid or flexible copper section 0.5 to 6 mm²



Plugs, joints and insulation



275794
01



275808
02



275786
03



275778
04



275824
05



275816
06

No.	Title	Color	Cross section cable	Plug size (width x thickness)	PU Piece	Article No.
01	Branch Connector	Blue	1.5 - 2.5 mm ²	-	100	275794
02	Blade Receptacle	Blue	1.5 - 2.5 mm ²	6,3 x 0,8	100	275808
03	Blade Receptacle	Red	0.5 - 1.0 mm ²	6,3 x 0,8	100	275786
04	Branch Connector	Red	0.5 - 1.5 mm ²	-	100	275778
05	Blade Receptacle	Yellow	4.0 - 6.0 mm ²	-	100	275824
06	Branch Connector	Yellow	4.0 - 6.0 mm ²	-	100	275816

AGR: 12.304

INTERNAL/Approved (2019-03-22 21:43:05)

Ferrules - Individual

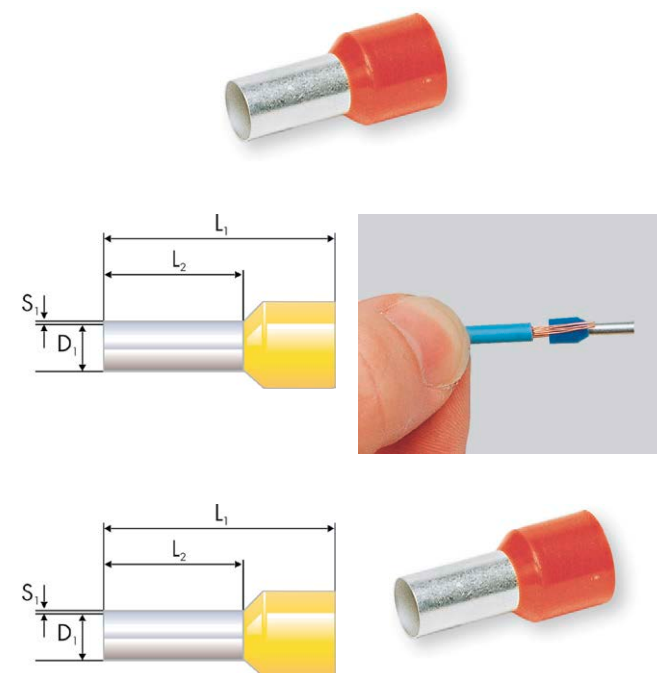
- Plastic cap ensures safe installation by means of narrowly lined clamping units and mounting onto the conductor
- No splicing of wires
- Color-coded according to DIN 46228 Part 4
- Various sleeve lengths per cross section

Hints

- K = short version
- N = normal execution
- HL = half long version
- L = long version

Technical Data

Material Shell	E-CU
Material Insertion Funnel	Polyamide 6
Surface protection	GVZ electrogalvanized
Temperature Resistance, Max	110 °C



Title	Cross-Section	Length total (mm)	Core Length	Internal Ø Sleeve	Wall Thickness Shell	Version	Color	PU Piece	Article No.
Ferrule	0.5 mm ²	13.5 mm	8 mm	1 mm	2.6 mm	N	White	100	773760
Ferrule	0.5 mm ²	15.5 mm	10 mm	1 mm	2.6 mm	HL	White	500	774219
Ferrule	0.75 mm ²	12 mm	6 mm	1.2 mm	2.8 mm	K	Grey	500	774278
Ferrule	0.75 mm ²	14 mm	8 mm	1.2 mm	2.8 mm	N	Grey	100	774294
Ferrule	0.75 mm ²	16 mm	10 mm	1.2 mm	2.8 mm	HL	Grey	500	774324
Ferrule	1 mm ²	12 mm	6 mm	1.4 mm	3 mm	K	Red	500	774375
Ferrule	1 mm ²	14 mm	8 mm	1.4 mm	3 mm	N	Red	100	773832
Ferrule	1 mm ²	16 mm	10 mm	1.4 mm	3 mm	HL	Red	500	774405
Ferrule	1.5 mm ²	14 mm	8 mm	1.7 mm	3.5 mm	N	black	100	773840
Ferrule	1.5 mm ²	16 mm	10 mm	1.7 mm	3.5 mm	HL	black	500	774456
Ferrule	1.5 mm ²	24 mm	18 mm	1.7 mm	3.5 mm	L	black	500	774464
Ferrule	2.5 mm ²	15 mm	8 mm	2.2 mm	4.2 mm	N	Blue	100	774480
Ferrule	2.5 mm ²	19 mm	12 mm	2.2 mm	4.2 mm	HL	Blue	500	774499
Ferrule	2.5 mm ²	25 mm	18 mm	2.2 mm	4.2 mm	L	Blue	500	774510
Ferrule	4 mm ²	16.8 mm	9.5 mm	2.8 mm	4.8 mm	N	Grey	100	773875
Ferrule	4 mm ²	25.8 mm	18 mm	2.8 mm	4.8 mm	L	Grey	100	773930

Plugs, joints and insulation

Title	Cross-Section	Length total (mm)	Core Length	Internal Ø Sleeve	Wall Thickness Shell	Version	Color	PU Piece	Article No.
Ferrule	6 mm ²	20 mm	12 mm	3.5 mm	6.3 mm	N	Yellow	100	774006
Ferrule	10 mm ²	21 mm	12 mm	4.5 mm	7.6 mm	N	Red	100	774120
Ferrule	10 mm ²	27 mm	18 mm	4.5 mm	7.6 mm	L	Red	100	774529
Ferrule	16 mm ²	23 mm	12 mm	5.8 mm	8.8 mm	N	Blue	100	774545
Ferrule	25 mm ²	29 mm	16 mm	7.3 mm	11.2 mm	N	Yellow	50	774600

AGR: 12.305

Accessories Available

	PU Amount	Article No.
Board Connector Pliers 153	1	001397
Crimp Pliers for Ferrule AE2	1	138672
Crimp Pliers for Ferrule AE4	1	138669

Plugs, joints and insulation

Non-insulated ferrules

Characteristics

- Zinc plated copper

Technical Data

Material Shell Copper
 Surface protection SN|Tinned



No.	Title	Cross-Section	Length total (mm)	Version	Color	PU Piece	Article No.
01	Ferrule	0.5 mm ²	6 mm	N	tin	100	336688
02	Ferrule	0.75 mm ²	6 mm	N	tin	100	336696
03	Ferrule	0.75 mm ²	10 mm	N	tin	100	336700
04	Ferrule	1 mm ²	6 mm	N	tin	100	336718
05	Ferrule	1 mm ²	10 mm	N	tin	100	336726
06	Ferrule	1.5 mm ²	7 mm	N	tin	100	336734
07	Ferrule	1.5 mm ²	10 mm	N	tin	100	336742
08	Ferrule	1.5 mm ²	12 mm	N	tin	100	336750
09	Ferrule	2.5 mm ²	7 mm	N	tin	100	336769
10	Ferrule	2.5 mm ²	12 mm	N	tin	100	336777
11	Ferrule	4 mm ²	10 mm	N	tin	100	336785
12	Ferrule	4 mm ²	18 mm	-	tin	100	123653
13	STR.E.SLVS UNIS 6 MM2	6 mm ²	9.8 mm	HL	tin	100	326577

AGR: 12.306

Accessories Available

	PU Amount	Article No.
Board Connector Pliers 153	1	001397
Crimp Pliers for Ferrule AE2	1	138672
Crimp Pliers for Ferrule AE4	1	138669

INTERNAL/Approved (2019-03-22 21:43:46)

Double ferrules

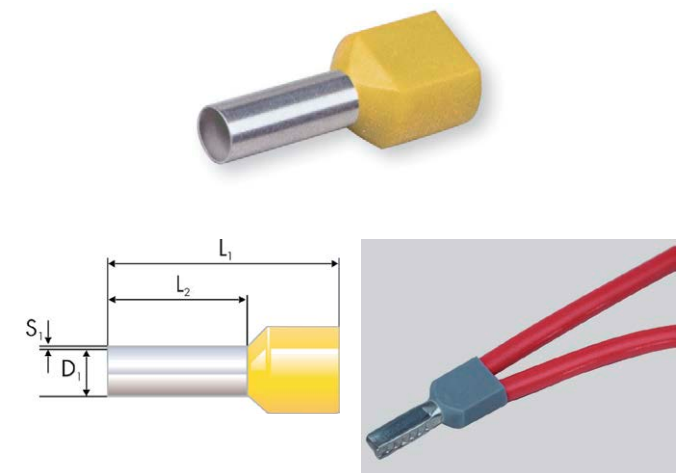
- Color coded according to DIN 46228 part 4
- For 2 conductors ranging from 0.5 mm² to 16 mm²
- Easy looping of potentials with double wire end ferrules

Application Area

- For narrow terminals on switching devices and electronic components

Technical Data

Material Shell	E-CU
Material Insertion Funnel	Polypropylene (PP)
Surface protection	GVZ electrogalvanized
Temperature Resistance, Max	105 °C
Number Of Conductor	2 PC



Title	Cross-Section	Length total (mm)	Core Length	Internal Ø Sleeve	Wall Thickness Shell	Version	Color	PU Piece	Article No.
Double ferrules	0.5 mm ²	14 mm	8 mm	1.4 mm	0.15 mm	HL	White	100	124093
Double ferrules	0.75 mm ²	14 mm	8 mm	1.7 mm	0.15 mm	N	Grey	100	849804
Double ferrules	1 mm ²	16 mm	8 mm	2.2 mm	0.15 mm	N	Red	100	849820
Double ferrules	1.5 mm ²	16 mm	8 mm	2.2 mm	0.15 mm	N	black	100	849839
Double ferrules	2.5 mm ²	19 mm	10 mm	2.8 mm	0.2 mm	N	Blue	100	849847
Double ferrules	4 mm ²	22 mm	12 mm	3.5 mm	0.2 mm	N	Grey	100	124094
Double ferrules	6 mm ²	25 mm	14 mm	4.5 mm	0.2 mm	N	Yellow	100	124096
Double ferrules	10 mm ²	26 mm	14 mm	5.8 mm	0.2 mm	N	Red	100	138539
Double ferrules	16 mm ²	27 mm	14 mm	8.3 mm	0.2 mm	N	Blue	50	138540

AGR: 12.305

INTERNAL/Approved (2019-03-22 21:43:53)

Insulated Ferrules Set

- Handy and compact, with all standard wire end ferrules in a single tin

Title	PU Assortment	Article No.
Ferrule	1	774723

AGR: 12.305

Scope Of Supply	Piece	Article No.
Ferrule DIN452 1 mm red	100	773832
Ferrule DIN46228 2,5 mm blue length 15 mm	50	774480
Ferrule DIN453 1,5 mm black	100	773840
Ferrule DIN46228 0,75 mm blue length 14mm	100	774294
Ferrule DIN450 0,5 mm white	50	773760



Set of non-insulated ferrules

- Handy and compact, with all standard ferrules in a single tin

Title	PU Piece	Article No.
Ferrule	1	130657

AGR: 12.306

Scope Of Supply	Piece	Article No.
Ferrule 410 0,5x6 mm	500	336688
Ferrule 413 1x6 mm	400	336718
Ferrule 411 0,75x6 mm	500	336696
Ferrule 416 1,5x10 mm	300	336742
Ferrule 418 2,5x7 mm	200	336769



Double Ferrules Set

- Handy and compact, with all standard ferrules in a single tin



Title	PU Piece	Article No.
Double Ferrules Set	1	152237
AGR: 12.305		
Scope Of Supply	Piece	Article No.
Double ferrules 2x0.75 mm grey	50	849804
Double ferrules 2x1.5 mm black	50	849839
Double ferrules 2x1 mm red	50	849820
Double ferrules 2x2.5 mm blue	50	849847

Wagons Tester ZWT 01

Application Area

- For the controll of the plug socket on the towing vehicle

Characteristics

- 12 V 4-pole, display with light diods, with integrated load resistances, device head with robust rubber protection cap, certified by TÜV (German technical supervisory association), CE marking



Title	PU Piece	Article No.
ZWT 01 TRACTN ENG TESTR 12V-PI	1	895512

AGR: 08.309

Wagons Tester ZWT 20

- The tester is equipped with an 5 m cable, for easy and convenient testing, therefore the testing of individual functions can take place at the driver's seat.:CAN-bus-capable
- TÜV-certified

Application Area

- For the verification of the outlet on the towing vehicle.
The correct function of the outlet is displayed through the lighting up of the appropriate light-emitting diode on the testing device, if the consumer is switched on.

Characteristics

- Test functions:
- Indicator right/left
- Brake lights right/left
- Tail lights right/left
- Reversing light
- Rear fog lamp

Hints

- When a trailer is used with a rear fog lamp, there must be guaranteed that it is unfastened from the towing vehicle



Title	Material	PU Piece	Article No.
ZWT20 TRACTN TESTER 12V 13POL	Polyamide (PA)	1	175098

AGR: 08.309

Plugs and Sockets 7-Pole 12 V Plastic

Characteristics

- NSLA: disabling contact for rear-fog light

Technical Data

Material	Plastic
Voltage	12 V



Title	Number Of Poles	PU Piece	Article No.
Plug	7 PC	1	106847
SOCKET 12V 7PIN PLAST NO NSLA	7 PC	1	057817
Socket	7 PC	1	110887

AGR: 12.340

Plugs and Sockets 7-Pole 12 V Metal

Characteristics

- Socket with mechanical disabling contact for rear-fog light

Technical Data

Material	Metal
Voltage	12 V



Title	Number Of Poles	PU Piece	Article No.
Plug	7 PC	1	013218
SOCKET 12V 7PIN METAL NO NSLA	7 PC	1	057816

AGR: 12.340

for Sockets 12 V

Title	Material	PU Piece	Article No.
PROT. CAP BESIDE	Rubber	1	057819
Protection Cap	Rubber	1	106846
PROT. CAP STRAIGHT	Rubber	1	057818

AGR: 12.349



Adapter, short 7/13-Pole 12 V

Application Area

- Adapter from 7-pole socket at vehicle to 13-pole 16 plug at trailer

Characteristics

- ISO 1724 (plug)
- ISO 11446 (outlet)

Technical Data

Voltage	12 V
Connectors	Box, 7; Plug, 13

Title	Number of poles	Material	PU Piece	Article No.
Adapter, short	7/13	Plastic	1	165392

AGR: 12.340



Connection cable 12 V with plastic connector

Characteristics

- ISO 1724

Hints

- Assembled with a plastic connector

Technical Data

Cable	1 x 1,5 mm ² 6 x 1,0 mm ²
-------	--

Title	Number Of Poles	Working Length	Extension Length, Max	PU Piece	Article No.
CONNECTIONC. 12V 2X7PINS PLAS	7 PC	3 m	3 m	1	057821

AGR: 12.340



Plugs and Sockets 13, 12V

Characteristics

- Including disabling contact for rear fog lights

Hints

- NSLA: mechanical switching device for rear fog lamp

Scope Of Delivery

- Including proper outlet rubber seal

Technical Data

Material	Plastic
Voltage	12 V



Title	Number Of Poles	PU Piece	Article No.
Plug	13 PC	1	362093
SOCKET 12V 13PIN PLAST NO NSLA	13 PC	1	057822
SOCKET S/B 12V13PIN PLAST NSLA	13 PC	1	057823
Socket with gasket	13 PC	1	110888

AGR: 12.340

INTERNAL/Approved (2019-03-22 21:44:43)

Adapter Mini 13/7-poles 12 V

- Only 48 mm long

Application Area

- Adapters from 13-pole socket at vehicle to 7-pole plug at trailer with one-hand operation

Characteristics

- ISO 11446 (plug)
- ISO 1724 (socket)

Technical Data

Voltage	12 V
Connectors	Box, 13; Plug, 7
Length	0.048 m

Title	Number of poles	Material	PU Piece	Article No.
Adapter Mini	13/7	Plastic	1	001298

AGR: 12.340



Socket 7-pole, 24 V Component Parts

Application Area

- For cable connection with screwed cable gland

Characteristics

- For vehicles with ABS or EBS system, according to ISO 7638-1

Hints

- SA: Screw

Scope Of Delivery

- With 9 crimp contact pins (2 x 6 mm², 2 x 4 mm², 5 x 1.5 mm²)



Technical Data

Dimension	1.5 - 6 mm ²
Material	ABS/EBS
Voltage	24 V

Title	Number Of Poles	PU Piece	Article No.
ABS / EBS Plug	7 PC	1	165401
AGR: 12.341			

ABS-Plug AMP 7-pole 24 V

Characteristics

- Plug/socket with 7 pole slots, 5 poles occupied, 2 poles unoccupied
- Plug: complete with contact sockets 3x1.5 mm² and 2 x4 mm²
- Socket: complete with contact pins 3 x 1.5 mm² and 2 x 4 mm²

Hints

- SA: Screw
- CR: Crimp
- Northwest 13: for standard and corrugated pipe

Technical Data

Cable	3 x 1,5 mm ² 2 x 4,0 mm ²	3 x 1,5 mm ² 2 x 4,0 mm ²
Dimension		1.5 - 6 mm ²
Material	ABS/EBS	ABS/EBS
Voltage		24 V



Title	Number Of Poles	PU Piece	Article No.
ABS-Plug AMP	7 PC	1	113197
ABS/EBS PLUS 24V 5/7 PIN PLAS	7 PC	1	057832
ABS-Socket AMP	7 PC	1	113198

AGR: 12.341

Spiral Cable ABS/EBS 7-Poles 24V

- Including tension reliefs

Characteristics

- Plugs according to ISO 7638-1

Technical Data

Cable	5 x 1,5 mm ² 2 x 4,0 mm ²
-------	--



Title	Number Of Poles	Working Length	Extension Length, Max	Loading Chart	Coil Ø	PU Piece	Article No.
Spiral cable ABS / EBS	7 PC	3 m	4.5 m	N	100 mm	1	165403

AGR: 12.343

ABS Spiral Cable 24 V

Characteristics

- Plug according to ISO 7638-1
- Plug/Socket with 7 pole slots, 5 poles occupied, 2 poles unoccupied with tension reliefs
- Cable 3 x 1.5 mm² + 2 x 4 mm²

Technical Data

Cable	3 x 1,5 mm ² 2 x 4,0 mm ²
-------	--



Title	Number Of Poles	Working Length	Extension Length, Max	Loading Chart	Coil Ø	PU Piece	Article No.
ABS Spiral Cable	7 PC	3 m	4.5 m	S	1.5 - 40 mm	1	165453

AGR: 12.343

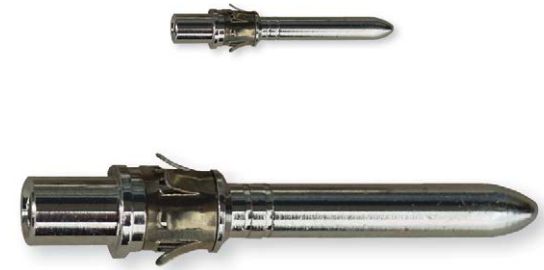
Contact pin

Technical Data

ADR permitted	Yes
Ggvs Approved	Yes

Title	Dimension	PU Piece	Article No.
CONTACT PIN 1.0-1.5MM JAEGER	1 - 1.5 mm ²	1	168816

AGR: 12.349



Contact sleeve

Technical Data

ADR permitted	Yes
Ggvs Approved	Yes

Title	Dimension	PU Piece	Article No.
Contact Females	1 - 1.5 mm ²	1	168820

AGR: 12.349



Plugs and Sockets with Screwed Connection 7-pole 24 V

Characteristics

- Metallic

Hints

- SA: Screw Cap

Technical Data

Material	Metal
Voltage	24 V



Title	Number Of Poles	Loading Chart	PU Piece	Article No.
N plugs	7 PC	N	1	136729
N plugs	7 PC	S	1	136724

AGR: 12.341

Plastic plugs and Sockets with Screwed Connection 7-pole 24 V

Characteristics

- Plastic

Hints

- FA: blade terminal
- SA: Screw

Technical Data

Material	Plastic
Voltage	24 V



Title	Number Of Poles	Loading Chart	PU Piece	Article No.
FL SOC 24V 7PIN PLAST ISO1185	7 PC	N	1	057828
Plug N	7 PC	N	1	199230
Socket N	7 PC	N	1	199222
FL SOC 24V 7PIN PLAST ISO3731	7 PC	S	1	057829
Plug S	7 PC	S	1	794210
Socket S	7 PC	S	1	794228

AGR: 12.341

Spiral Cable 7-pole 24V Alu

- With kink protection

Characteristics

- With aluminum plugs, type N according to ISO 1185, ISO 3731 Type S
- Compliance with the requirements of ISO 4141-4
- Cable made of PUR



Technical Data

Cable	6 x 1,0 mm ² 1 x 1,5 mm ²
-------	--

Title	Number Of Poles	Working Length	Extension Length, Max	Loading Chart	Coil Ø	PU Piece	Article No.
Spiral Cable	7 PC	3 m	4.5 m	N	55 - 60 mm	1	165394
Spiral Cable	7 PC	3 m	4.5 m	S	55 - 60 mm	1	165396

AGR: 12.343

Adapter short 15/2x7-poles 24 V

Characteristics

- ISO 12098 (plug)
- ISO 1185, 3731 (outlets)

Hints

- From a 15-pole outlet to 2 x 7 pole plugs

Technical Data

Voltage	24 V
---------	------

Title	Number of poles	Material	PU Piece	Article No.
ADAPTER MINI 24V 15/2X7 PINS	15/7/7	Plastic	1	057835

AGR: 12.341



Adapter twist 15/2x7-poles 24 V

Characteristics

- ISO 12098 (plug)
- ISO 1185, 3731 (outlets)

Hints

- From a 15-pole outlet to 2 x 7 pole plugs

Technical Data

Material	Plastic
Connectors	Plug, N, 15; Plug, S, 7; Plug, 7



Title	Number of poles	Working Length	Extension Length, Max	Coil Ø	PU Piece	Article No.
ADAPTER TWIST 24V 15/2X7PINS	15/7/7	3 m	4.5 m	55 - 60 mm	1	165448

AGR: 12.341

Plug and Socket 15-pole 24 V

Characteristics

- Including pins and sockets

Hints

- SA: Screw
- CR: Crimp
- NW13: for standard and corrugated pipe

Scope Of Delivery

- Complete with pins and bushings

Technical Data

Cable	2 x 1,0 mm ² 3 x 2,5 mm ² 10 x 1,5 mm ²
Dimension	1 - 2.5 mm ²
Material	Plastic
Voltage	24 V



Title	Number Of Poles	PU Piece	Article No.
Plug	15 PC	1	113221
PLUGS 24V 15PIN PLAST ISO12098	15 PC	1	057833
SOCKET 24V 15 PIN PLAST	15 PC	1	057834
Socket	15 PC	1	113222

AGR: 12.341

Spiral Cable 15-pole 24 V

Characteristics

- ISO 12098
- ADR / ADR-ready
- waterproof

Hints

- BREAK: strain relief

Technical Data

Cable	2 x 1,0 mm ² 10 x 1,5 mm ² 3 x 2,5 mm ²
-------	--



Title	Number Of Poles	Working Length	Extension Length, Max	Loading Chart	Coil Ø	PU Piece	Article No.
Spiral Cable	15 PC	3 m	4 m	N	55 mm	1	113224

AGR: 12.343

Plug 3-pole 6-24 V

Hints

- SA: srew connection

Technical Data

Material	Plastic
Voltage	24 V



INTERNAL/Approved (2019-03-22 21:46:05)

Title	Number Of Poles	PU Piece	Article No.
PLUGS 6-24V 3 PINS PLAST	3 PC	1	057824
SOCKET 6-24V 3 PINS PLAST	3 PC	1	057825
PLUGS 6-24V 4 PINS PLAST	4 PC	1	057826
SOCKET 6-24V 4 PINS PLAST	4 PC	1	057827

AGR: 12.349

Battery-Jumper Cable 25mm² / 35mm²

- Integrated overvoltage protection prevents voltage surges and protects the vehicle electronics
- High quality fully insulated tongs protect against short circuit
- Cable tested to DIN

Characteristics

- Starter cable 25 is suitable for gasoline engines up to max. 5500 cm³ and diesel engines up to max. 3000 cm³
- Starter cable 35 is suitable for gasoline engines up to max. 7000 cm³ and diesel engines up to max. 4000 cm³

Technical Data

Lead Count 2 PC

Title	Length	Cable Cross Section	Amperage Max	PU Piece	Article No.
STARTER CABLE 16MM 3M	3 m	16 mm ²	220 A	1	051501
STARTER CABLE 25MM 3M	3 m	25 mm ²	220 A	1	051502
STARTER CABLE 25MM 3,5M SAFE	3.5 m	25 mm ²	400 A	1	051503
STARTER CABLE 35MM 4,5M	4.5 m	35 mm ²	600 A	1	051504
STARTER CABLE 35MM 4,5M SAFE	4.5 m	35 mm ²	600 A	1	051505

AGR: 12.701



Batter-Jumper Cable 50mm²

- Integrated overvoltage protection prevents voltage surges and protects the vehicle electronics
- High-quality, fully insulated, angled full cast tongs protect against short circuit
- According to the standards DIN-NORM 72533, ISO 6722

Characteristics

- Battery-jumper 50 suitable for trucks / buses



Title	Length	Cable Cross Section	Amperage Max	PU Piece	Article No.
STARTER CABLE 50MM 5,0M	5 m	50 mm ²	600 A	1	051506
Battery-Jumper Cable	5 m	50 mm ²	1000 A	1	051507

AGR: 12.701

Pole Clamps insulated for Starter Cable 480 Ah

- Fully insulated steel sheet pliers with a brass coated clamps
- Screw connection for cable lugs via ringlet M6
- Single screws packed in the polybag

Technical Data

Resistance, A	480 A
Length	160 mm
Opening width	33 mm
Weight	220 g

Title	Color	Cable cross section	PU Piece	Article No.
STEEL PLATE PLIER 480 A RED	Red	35 mm ²	1	187483
STEEL PLATE PLIER 480 A BLACK	black	35 mm ²	1	187482

AGR: 12.701



INTERNAL/Approved (2019-03-22 21:46:20)

High-Voltage-Killer

- Disconnection of vehicle battery is no longer required due to the conservation of data stored on the car radio, car phone, etc.
- Suppresses all voltage peaks which may arise in a reliable manner
- Simple and safe handling, no polarity possible
- Suitable for 12 V and 24 V

Application Area

- For protection of vehicle electronics during welding operations

Characteristics

- With visual and audible indicator light

Hints

- Please kindly consider and note the manufacturer's instructions for vehicles with airbags

Technical Data

Device Type	Higher voltage killer
Voltage Area	12 - 24 V

Title	PU Piece	Article No.
High-Voltage-Killer	1	112899

AGR: 08.309

Related Products	PU Piece	Article No.
Welding Protection Spray 400 ml	1/15	224324

Voltage Peak Killer 12 V / 24 V

- No damage to more on-board electronics such as ABS, air bag, stereo, injection, etc.
- Protects against increased wear light bulbs
- Protection in the case of jump starts

Application Area

- For permanent compensation of voltage peaks within 12 V / 24 V electrical system



Characteristics

- Easy installation, no polarity reversal, just between the pole clamp (12 V) or at the input and output of the 2-coupled 12 V batteries connect (24V).
- Especially bulbs take by persistent surges often damage. The Berner's voltage spike suppressor constantly and perpetually offset any voltage spikes occurring in the electrical system, thus preventing unnecessary hassle and costs for replacing lamps.

Hints

- Can only be used in the 24 V - area for 2 x 12 V batteries which are coupled successively. Does not work for 24V batteries.

Technical Data

Device Type		Higher voltage killer		
Title	Voltage	PU Piece	Article No.	
Voltage Peak Killer	12 V	1	034663	
Voltage Peak Killer	24 V	1	039600	

AGR: 08.309



Battery Terminal Cleaner

Application Area

- Cleaning brush for rapid removal of incrustations on battery poles as well as on battery clips

Characteristics

- A single tool useable for small as well as big poles

Title	PU Piece	Article No.
977 BATTERY TERM.CLEANER	1	110718

AGR: 12.700



Battery mug

- The device in the pourer stops the flow of water as soon as the exact level is achieved
- Simplifies the refillment process of the water in the batteries

Application Area

- For the refillment of distilled water in batteries

Characteristics

- Manufactured from a special plastic,
- acid, oil and solvent resistant

Title	PU Piece	Article No.
980 BATTERY-JUG 1 L	1	110727

AGR: 12.700



Battery Clamps, Standard

Characteristics

- Pole shoes made of lead-plated brass
- nuts and screws lead-plated



Title	Polarity	Connection Cross Section To	Ring-Fork Size	Type Pole Terminal	PU Piece	Article No.
Battery Clamp	+	70 mm ²	17.5 mm	A, left	10	503908
Battery Clamp	+	70 mm ²	17.5 mm	C, right	10	013498
Battery Clamp	-	70 mm ²	-	D, left	10	503916
Battery Clamp	-	70 mm ²	16 mm	B, right	10	013480
AGR: 12.700						
Related Products					PU Amount	Article No.
Batterypole fat spray 400ml					1/15	160723

INTERNAL/Approved (2019-03-22 21:46:46)

Battery Clamps for Small Battery Terminals

Characteristics

- Pole shoes made of lead-plated brass, nuts and screws lead-plated



Title	Polarity	Connection Cross Section To	Type Pole Terminal	PU Piece	Article No.
Battery Clamp	+	50 mm ²	A, left	10	528625
Battery Clamp	-	50 mm ²	B, right	10	528633

AGR: 12.700

Related Products

	PU Amount	Article No.
Batterypole fat spray 400ml	1/15	160723

Battery Clamps for Large Vehicles

Characteristics

- Pole shoes made of lead-plated brass, nuts and screws lead-plated



Title	Polarity	Connection Cross Section From	Connection Cross Section To	Ring-Fork Size	Type Pole Terminal	PU Piece	Article No.
Battery Clamp	+	50 mm ²	120 mm ²	-	E, left	10	503924
Battery Clamp	+	50 mm ²	120 mm ²	17 mm	E, left	10	503932
Battery Clamp	-	50 mm ²	120 mm ²	15.5 mm	F, right	10	503878

AGR: 12.700

Related Products

	PU Amount	Article No.
Batterypole fat spray 400ml	1/15	160723

Battery Clamps for MAN-Vehicles

Characteristics

- Pole shoes made of lead-plated brass, nuts and screws lead-plated



Title	Polarity	Type Pole Terminal	PU Piece	Article No.
Battery Clamp	+	M12 SW 19	10	503886
Battery Clamp	-	M10 SW 17	10	503894

AGR: 12.700

Related Products

	PU Amount	Article No.
Batterypole fat spray 400ml	1/15	160723

Water-Protective Hood for Distributor Cap Connection

Technical Data

Cable Ø	7 mm
Internal Ø	12 mm



Title	Length total (mm)	Vehicle Allocation Manufacturer	PU Piece	Article No.
CAPS F.SPARK PLUG CAP	32 mm	Different manufacturers	10	345776

AGR: 12.710

Spark Plug Settled

Characteristics

- Finely stranded tinned copper wire 19 x 0.25 mm², PVC insulation, temperature resistance: from -50 ° C to +180 ° C, briefly up to +250 ° C

Technical Data

Temperature range	-50 - 180 °C
-------------------	--------------



Title	Cable Cross Section	Color, Core	Length	PU Ring	Article No.
Ignition Cable	1 mm ²	black	25 m	1	134988

AGR: 12.710

Ceramic Connector/ Plugs

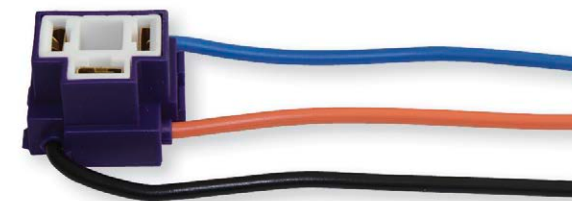
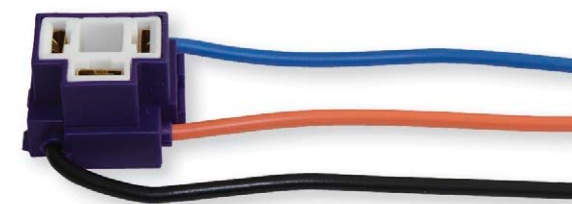
- Especially are suitable as a permanent replacement for those plug housing that were exposed by the heat radiation from the halogen lamps permanently extreme heat and thereby become inoperative
- Extremely heat-resistant up to 1200 ° C

Application Area

- Ceramic connector with cable for H1, H4 and H7 halogen lamps to replace a defective lamp sockets

Title	PU Piece	Article No.
CERAMIC CONNECTOR H1	5	185241
CERAMIC CONNECTOR H4	5	100740
CERAMIC CONNECTOR H7	5	100741

AGR: 12.710



System Cable Extractor Selection 12-Parts

- Releasing and mounting with one grip guarantees fast working
- The appropriate tool for each type of locking
- Easy and fast correction of interferences due to faulty connections or corrosion

Application Area

- For releasing and mounting cable contacts within electrical systems



Title	PU Piece	Article No.
System Cable Extractor Selection 12-Parts	1	123263

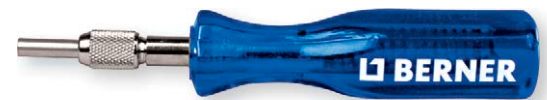
AGR: 03.209

System Cable Extractors

- Releasing and mounting with one grip guarantees fast working
- The appropriate tool for each type of locking
- Easy and fast correction of interferences due to faulty connections or corrosion

Application Area

- For releasing and mounting cable contacts within electrical systems



113243
01

124426
02

124424
03

124425
04

124423
05

124416
06

124627
07

124417
08

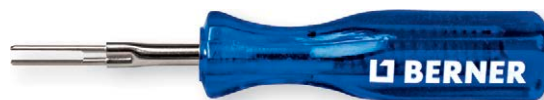
124421
09

INTERNAL/Approved (2019-03-22 21:47:23)

Further vehicle electric



124415
10



124420
11



124422
12

No.	Title	PU Piece	Article No.
01	Ejector 6.5 mm ²	1	113243
02	Extractor	1	124426
03	Unlocking Tool	1	124424
04	Extractor	1	124425
05	Unlocking Tool	1	124423
06	Extractor	1	124416
07	Extractor	1	124627
08	Unlocking Tool	1	124417
09	Unlocking Tool	1	124421
10	Unlocking Tool	1	124415
11	Extractor	1	124420
12	Extractor	1	124422

AGR: 03.409

Extractor Spare Parts

Title	Application Vehicle Manufacturer	For Extraction Tool	Application Contact Type	PU Piece	Article No.
Mounting Sleeve for Extractor	Different manufacturers	113243	Round contact	1	113245*
Replacement Pipe for Extractor	Different manufacturers	124426	Round contact	1	336572*
Unmounting Sleeve for Extractor	Different manufacturers	113243	Round contact	1	113244*
Replacement Pipe for Extractor	Different manufacturers	124424	Round contact	1	336599

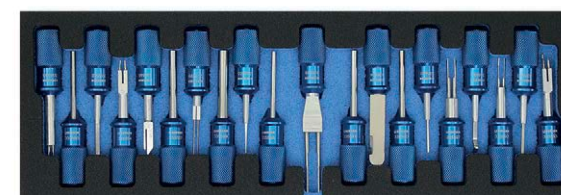
* = The delivery time is 30 days

AGR: 03.409

9

Terminal Release Tool Set

- The compact, ergonomic and blue anodized aluminum handles with collar and knurled edges guarantee safe working without slipping off.



- Due to the very short design of the unlocking, even hard-to-reach cable plug connections can be unlocked without any problem.
- In the unlocking process, the barbed hooks of the tool are pressed against the connecting clamp, whereby the cable with plug can then be pulled out
- The unlocking set allows easy, damage-free and time-saving unlocking through the various inserts
- Everything is neatly packaged in a foam insert

Hints

- 2801 (Art.-Nr.335603): Audi, BMW, Ford, Mercedes, Opel, Renault, Seat, VW
- 2802 (Art.-Nr.335602): Audi, BMW, Ford, VW
- 2803 (Art.-Nr.335601): Audi, BMW, Ford, Mercedes, Opel, Renault, Seat, VW
- 2804 (Art.-Nr.335600): BMW, Ford
- 2805 (Art.-Nr.335599): Audi, BMW, Mercedes, Opel, Seat, Skoda, VW
- 2806 (Art.-Nr.335598): Audi, BMW, Mercedes, Opel, Renault, Seat, Skoda, VW
- 2807 (Art.-Nr.335597): BMW, Mercedes
- 2808 (Art.-Nr.335596): Audi, Seat, Skoda, VW
- 2809 (Art.-Nr.335595): Audi, Opel, Renault
- 2810 (Art.-Nr.335549): BMW, Mercedes
- 2811 (Art.-Nr.336693): BMW, Mercedes
- 2812 (Art.-Nr.335592): Audi, BMW, Mercedes, Opel, Seat, VW
- 2813 (Art.-Nr.335591): BMW, Mercedes, Opel
- 2814 (Art.-Nr.335590): BMW, Mercedes
- 2815 (Art.-Nr.335589): Audi, BMW, Opel, VW
- 2816 (Art.-Nr.335588): BMW, Mercedes
- 2817 (Art.-Nr.335587): Audi, BMW, Mercedes, Skoda, Opel, Seat, VW
- 2818 (Art.-Nr.335586): Audi, BMW, Mercedes, Opel, Seat, Skoda, VW
- 2819 (Art.-Nr.335585): Audi, BMW, Ford, Mercedes, Opel, Renault, Seat, VW
- 2820 (Art.-Nr.335584): Halteklemmen zurückformen

INTERNAL/Approved (2019-03-22 21:47:43)

Title	PU Piece	Article No.
-------	-------------	-------------

Further vehicle electric

Terminal Release Tool Set	1	335435
AGR: 03.209		
Scope Of Supply	Amount	Article No.
Terminal Release Tool 2820	1	335584
Terminal Release Tool 2801	1	335603
Terminal Release Tool 2802	1	335602
Terminal Release Tool 2803	1	335601
Terminal Release Tool 2804	1	335600
Terminal Release Tool 2805	1	335599
Terminal Release Tool 2806	1	335598
Terminal Release Tool 2807	1	335597
Terminal Release Tool 2808	1	335596
Terminal Release Tool 2809	1	335595
Terminal Release Tool 2810	1	335594
Terminal Release Tool 2811	1	335593
Terminal Release Tool 2812	1	335592
Terminal Release Tool 2813	1	335591
Terminal Release Tool 2814	1	335590
Terminal Release Tool 2815	1	335589
Terminal Release Tool 2816	1	335588
Terminal Release Tool 2817	1	335587
Terminal Release Tool 2818	1	335586
Terminal Release Tool 2819	1	335585

Terminal release tool

- The compact, ergonomic and blue anodized aluminum handles with collar and knurled edges guarantee safe working without slipping off.
- Due to the very short design of the unlocking, even hard-to-reach cable plug connections can be unlocked without any problem.
- In the unlocking process, the barbed hooks of the tool are pressed against the connecting clamp, whereby the cable with plug can then be pulled out
- The unlocking tools allows easy, damage-free and time-saving unlocking through the various inserts

Application Area

- Terminal Releaser

Hints

- 2820 is to repair the connector if the wings or some is deformed

Technical Data

Grip Material	aluminium	aluminium
---------------	-----------	-----------



335584
01



335603
02



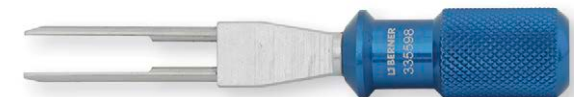
335602
03



335601
04



335600
05



335599
06



335598
07



335597
08



335596
09



335595
10



335594
11



335593
12



335592
13



335591
14



335590
15

INTERNAL/Approved (2019-03-22 21:47:48)

Further vehicle electric



335589
16



335588
17



335587
18



335586
19



335585
20

No.	Title	PU Piece	Article No.
01	Terminal Release Tool 2820	1	335584
02	Terminal Release Tool 2801	1	335603
03	Terminal Release Tool 2802	1	335602
04	Terminal Release Tool 2803	1	335601
05	Terminal Release Tool 2804	1	335600
06	Terminal Release Tool 2805	1	335599
07	Terminal Release Tool 2806	1	335598
08	Terminal Release Tool 2807	1	335597
09	Terminal Release Tool 2808	1	335596
10	Terminal Release Tool 2809	1	335595
11	Terminal Release Tool 2810	1	335594
12	Terminal Release Tool 2811	1	335593
13	Terminal Release Tool 2812	1	335592
14	Terminal Release Tool 2813	1	335591
15	Terminal Release Tool 2814	1	335590
16	Terminal Release Tool 2815	1	335589
17	Terminal Release Tool 2816	1	335588
18	Terminal Release Tool 2817	1	335587
19	Terminal Release Tool 2818	1	335586
20	Terminal Release Tool 2819	1	335585

AGR: 03.409

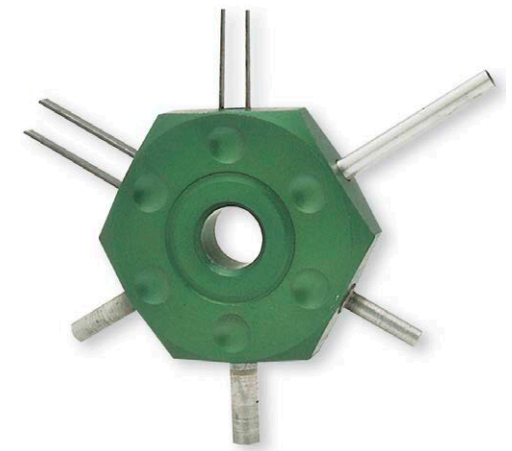
Press Out Tool

Application Area

- To press out push-on contacts with snap-in pins in multiplugs, without damaging the cable or push-on contact

Characteristics

- Radial form each with 6 different blades, US-Spring-Steel



Title	Total Height	PU Piece	Article No.
56500 PRESS-OUT TOOL	10 mm	1	808444

AGR: 03.419

Batteries

- Mercury and cadmium-free
- High-performance alkaline batteries
- Max. storage period: 5 years
- Highly shock- and vibration-resistant
- Guaranteed leakage safety under normal conditions

Application Area

- Radios, clocks, torches, diagnostic instruments, other test equipment, etc.

Hints

- Not rechargeable

Technical Data

Battery material type Alkaline

Title	Universal battery size	Battery size equivalence	Voltage	PU Package	Article No.
ALKALINE BATT. LR1 1.5V 2PC	LR1	E90 N	1.5 V	1	169066

AGR: 08.216

Alkaline Batteries



Mono Baby Mignon Micro E-Block



LR03 LR06 LR14 LR20
3LR12 6LR61

INTERNAL/Approved (2019-03-22 21:48:20)

Further vehicle electric



Title	Universal battery size	Battery size equivalence	Voltage	Capacity	PU Piece	Article No.
BLOCK BATTERY 4.5VOLTS 3R12	4,5V	Block 3LR12 MN1203	4.5 V	2600 mAh	1	170710

AGR: 08.216

Alkaline Batteries X-tra

- Improved performance thanks to new formula
- 20% more power than conventional batteries
- Extended shelf life up to 7 years
- Outflow-proof
- Free of mercury and cadmium
- Very high energy output
- High performance alkaline batteries

Application Area

- Test equipment, clocks, flashlights, diagnostic equipment, radio, remote controls

Technical Data

Battery material type Alkaline



Title	Universal battery size	Battery size equivalence	Voltage	Capacity	PU Piece	Article No.
Battery Micro LR03 1,5 V X-tra	AAA	Micro LR03 AM4	1.5 V	1300 mAh	1/10	332673
Battery Mignon LR6 1,5 V X-tra	AA	Mignon LR06 AM3	1.5 V	2900 mAh	1/10	332674
Battery Baby LR14 1,5V X-tra	C	Baby LR14 AM2	1.5 V	7500 mAh	1/10	332675
Batterie Mono LR20 1,5V X-tra	D	Mono LR20 AM1	1.5 V	18000 mAh	1/10	332676
Battery E-Block LR 61 9V X-tra	E	E-Block LR22 AM6 LR61	9 V	500 mAh	1/10	332677

AGR: 08.216

Rechargeable Batteries

- Nickel-metal-hydride batteries
- Up to 1000 x rechargeable
- No memory effect
- Significantly higher energy charge than conventional nickel-cadmium batteries
- Extremely low self-discharge
- Eco-Friendly by omitting toxic cadmium
- Pre-charged and ready for installation
- After each charge 1 Year ready

Application Area

- Table-top calculators, model vehicles, radio equipment, etc.



Mono Baby Mignon Micro E-Block



LR03 (AAA) LR6 (AA) LR14 LR20 6LR61



E - Block



C - Baby



D - Mono



AA - Mignon

Further vehicle electric



AAA - Micro

Title	Universal battery size	Battery size equivalence	Voltage	Capacity	PU Piece	Article No.
Rech. battery Micro	AAA	Micro LR03 AM4	1.2 V	800 mAh	4	165918
Rech. battery Mignon	AA	Mignon LR06 AM3	1.2 V	2100 mAh	4	165917
Rech. battery Baby	C	Baby LR14 AM2	1.2 V	4500 mAh	1	165915
Rech. battery Mono	D	Mono LR20 AM1	1.2 V	8500 mAh	2	165916
Rech. battery E-Block	E	E-Block LR22 AM6	9 V	200 mAh	1	165914

AGR: 08.215

INTERNAL/Approved (2019-03-22 21:48:47)

Battery Charger Ansmann POWERLINE 5 PRO

- Multifunction clear LCD display with backlight
- For worldwide use (100V-240V AC / 50-60Hz) and car use
- USB charging output (5V) to charge all other devices (smart phone, lamps e.g)
- Car charge : Included DC charging cable for the 12V DC car socket of vehicles (12V DC only. Not 24V used in trucks)
- Rechargeable batteries can stay in the equipment for indefinite periods of time
- Triple overload protection
- Battery fault detection
- Quick charging
- Discharging option
- 3-year warranty
- Automatic switching from normal charging to maintenance charging

Application Area

- Charging of discharged batteries

Hints

- It is possible to load and charge one to four Micro AAA, Mignon AA, Baby C, Mono D or two 9 V Block NiMH or NiCD batteries at the same time
- Batteries are not included in scope of delivery



Alkaline block battery 4R25

- No mercury or cadmium
- Zinc carbon battery
- Long storage capacity when new
- High load capacity



Button Cells

- Brand quality
- Low self-discharge
- Long shelf life: more than 6 years with lithium cells,
- more than 4 years with alkaline-manganese

Application Area

- Remote controls and lighting for vehicle keys, handheld
- transmitter, digital vernier caliper, clocks, alarm-clocks,
- cameras, digital cameras etc.

Hints

- In some button cells there are different names by different manufacturers.

LR44 = A76, V13GA, PX76A, PX665A, LR1154, 1166A, AG13, KA76

A23 = LRV08, VA23GA, MN21, MS21, L1028, 1811a, LR23

LR1 = AM5, 4001, MN9100, 810, E90, 910A, CN, UM5

A27 = LR27, MN27

123A = CR123, 6205, DL123A, EL123AP, 5018LC, K123LA

LR41 AG3 =, SR41, 392



Title	Universal battery size	Battery size equivalence	Voltage	Capacity	PU Piece	Article No.
BUTTON CELL CR2016 3V	CR2016	DL2016	3 V	90 mAh	1	165675
BUTTON CELL CR2032 3V	CR2032	DL2032	3 V	35 mAh	1	165673

AGR: 08.216

Button cell Ansmann - CR

- Lithium button cells, high performance batteries allows extended use.



Further vehicle electric

Application Area

- Recommended for electronic devices such as multimeters, watches, on-board camera e.g.
- Battery for frequent use.

Technical Data

Battery material type

Lithium



Title	Universal battery size	Battery size equivalence	Voltage	Capacity	PU Piece	Article No.
Button Cell CR1220	CR1220	DL1220	3 V	40 mAh	1/10	059525
Button Cell CR1616	CR1616	DL1616	3 V	50 mAh	1/10	059526
Button Cell CR1620	CR1620	DL1620	3 V	70 mAh	1/10	059527
Button Cell CR1632	CR1632	DL1632	3 V	130 mAh	1/10	098848
Button Cell CR2025	CR2025	DL2025	3 V	150 mAh	1/10	059529

AGR: 08.216

Further vehicle electric

Button Cells

- Brand quality
- Low self-discharge
- Long shelf life: more than 6 years with lithium cells,
- more than 4 years with alkaline-manganese

Application Area

- Remote controls and lighting for vehicle keys, handheld
- transmitter, digital vernier caliper, clocks, alarm-clocks,
- cameras, digital cameras etc.

Hints

- In some button cells there are different names by different manufacturers.

LR44 = A76, V13GA, PX76A, PX665A, LR1154, 1166A, AG13, KA76

A23 = LRV08, VA23GA, MN21, MS21, L1028, 1811a, LR23

LR1 = AM5, 4001, MN9100, 810, E90, 910A, CN, UM5

A27 = LR27, MN27

123A = CR123, 6205, DL123A, EL123AP, 5018LC, K123LA

LR41 AG3 =, SR41, 392



Title	Universal battery size	Battery size equivalence	Voltage	Capacity	PU Piece	Article No.
BUTTN CELL LR 44 1.5V 2PT-BLIS	LR44	AG13 G13A A76	1.5 V	150 mAh	1	175965

AGR: 08.216

Button cells Ansmann - LR

Technical Data

Battery material type Alkaline

Title	Universal battery size	Battery size equivalence	Voltage	Capacity	PU Piece	Article No.
BUTTON CELL LR41	LR41	G3A	1.5 V	42 mAh	1	185046

AGR: 08.216

Button Cells

- Brand quality
- Low self-discharge
- Long shelf life: more than 6 years with lithium cells,
- more than 4 years with alkaline-manganese

Application Area

- Remote controls and lighting for vehicle keys, handheld
- transmitter, digital vernier caliper, clocks, alarm-clocks,
- cameras, digital cameras etc.

Hints

- In some button cells there are different names by different manufacturers.

LR44 = A76, V13GA, PX76A, PX665A, LR1154, 1166A, AG13, KA76

A23 = LRV08, VA23GA, MN21, MS21, L1028, 1811a, LR23

LR1 = AM5, 4001, MN9100, 810, E90, 910A, CN, UM5

A27 = LR27, MN27

123A = CR123, 6205, DL123A, EL123AP, 5018LC, K123LA

LR41 AG3 =, SR41, 392



Title	Universal battery size	Battery size equivalence	Voltage	Capacity	PU Piece	Article No.
BUTTON CELL V76PX	SR44	V76PX	1.5 V	145 mAh	1	169448

AGR: 08.216